

APX™ TWO-WAY RADIOS



APX 7000 APX 7000XE

DETAILED SERVICE MANUAL



Foreword

The information contained in this manual relates to all ASTRO® APX™ 7000/7000XE digital portable radios, unless otherwise specified. This manual provides sufficient information to enable qualified service shop technicians to troubleshoot and repair an ASTRO APX 7000/7000XE digital portable radio to the component level.

For details on the operation of the radio or level 1 or 2 maintenance procedures, refer to the applicable manuals, which are available separately. A list of related publications is provided in the section, “[Related Publications,](#)” on page ix.

RF Energy Exposure and Product Safety Guide for Portable Two-Way Radio

ATTENTION! Before using this radio, read the guide enclosed with your radio which contains important operating instructions for safe usage and RF energy awareness and control for compliance with applicable standards and regulations.

For a list of Motorola-approved antennas, batteries, and other accessories, visit the following web site:
<http://www.motorolasolutions.com>

Manual Revisions

Changes which occur after this manual is printed are described in FMRs (Florida Manual Revisions). These FMRs provide complete replacement pages for all added, changed, and deleted items, including pertinent parts list data, schematics, and component layout diagrams. To obtain FMRs, contact the Customer Care and Services Division (refer to “[Appendix A Replacement Parts Ordering](#)”).

Computer Software Copyrights

The Motorola products described in this manual may include copyrighted Motorola computer programs stored in semiconductor memories or other media. Laws in the United States and other countries preserve for Motorola certain exclusive rights for copyrighted computer programs, including, but not limited to, the exclusive right to copy or reproduce in any form the copyrighted computer program. Accordingly, any copyrighted Motorola computer programs contained in the Motorola products described in this manual may not be copied, reproduced, modified, reverse-engineered, or distributed in any manner without the express written permission of Motorola. Furthermore, the purchase of Motorola products shall not be deemed to grant either directly or by implication, estoppel, or otherwise, any license under the copyrights, patents or patent applications of Motorola, except for the normal non-exclusive license to use that arises by operation of law in the sale of a product.

Document Copyrights

No duplication or distribution of this document or any portion thereof shall take place without the express written permission of Motorola. No part of this manual may be reproduced, distributed, or transmitted in any form or by any means, electronic or mechanical, for any purpose without the express written permission of Motorola.

Disclaimer

The information in this document is carefully examined, and is believed to be entirely reliable. However, no responsibility is assumed for inaccuracies. Furthermore, Motorola reserves the right to make changes to any products herein to improve readability, function, or design. Motorola does not assume any liability arising out of the applications or use of any product or circuit described herein; nor does it cover any license under its patent rights nor the rights of others.

Trademarks

MOTOROLA, MOTO, MOTOROLA SOLUTIONS and the Stylized M logo are trademarks or registered trademarks of Motorola Trademark Holdings, LLC and are used under license. All other trademarks are the property of their respective owners. © Motorola Solutions, Inc. 2010–2013.

Document History

The following major changes have been implemented in this manual since the previous edition:

Edition	Description	Date
6875961M01-A	Initial edition.	Feb 2010
6875961M01-B	Added UHF2/700–800 and UHF2/VHF bands.	Jun 2010
6875961M01-C	Added MNCN6202A and MNCN6203A VOCON. Board Overlay Boards, Schematics and Parts List Added UHF1/UHF2. Added APX 7000 XE info. Added MNUS4000C and MNUT4000C schematics and Part list.	Nov 2011
6875961M01-D	Added APX 7000XE Dual Display Model (M3.5). Added Bluetooth Option board information (MNUK6000B,HLN7035A). Updated Batteries Info. Added VOCON MNCN6201A. Added RF Boards (MNUS4000E/F, MNUS4002B, MNUT4004E, MNCN6201A).	Oct 2012
6875961M01-E	Updated Chapter 3 (Theory of Operation) <ul style="list-style-type: none"> • Figure 3-23, Figure 3-29, Figure 3-40, Figure 3-41 • Section 3.2.4.1, Section 3.2.6.2.1 Updated Chapter 5 (Troubleshooting Charts) <ul style="list-style-type: none"> • Section 5.6 	June 2013

Notes

Table of Contents

Foreword	ii
RF Energy Exposure and Product Safety Guide for Portable Two-Way Radio	ii
Manual Revisions	ii
Computer Software Copyrights	ii
Document Copyrights	ii
Disclaimer	ii
Trademarks	ii
 Document History	 iii
 List of Tables	 viii
 List of Figures	 x
 Commercial Warranty	 xvi
Limited Warranty	xvi
 Chapter 1 Introduction	 1-1
1.1 General	1-1
1.2 Notations Used in This Manual	1-2
 Chapter 2 Radio Power	 2-1
2.1 General	2-1
2.2 DC Power Routing – Transceiver Board	2-2
2.3 DC Power Routing – VOCON Board	2-3
 Chapter 3 Theory of Operation	 3-1
3.1 Transceiver Board	3-3
3.2 Controller	3-29
3.3 Global Positioning System (GPS)	3-68
 Chapter 4 Troubleshooting Procedures	 4-1
4.1 Handling Precautions	4-1
4.2 Recommended Service Tools	4-2
4.3 Standard Bias Table	4-3
4.4 Power-Up Self-Check Errors	4-4
4.5 Power-Up Self-Check Diagnostics and Repair (Not for Field Use)	4-5

Chapter 5	Troubleshooting Charts	5-1
5.1	List of Troubleshooting Charts	5-1
5.2	Main Troubleshooting Flowchart.....	5-2
5.3	Power-Up Failure	5-3
5.4	DC Supply Failure.....	5-15
5.5	Top/CID Display Failure.....	5-19
5.6	Main Display Failure	5-20
5.7	Volume Set Error	5-21
5.8	Channel Select Error.....	5-22
5.9	Keypad Error.....	5-23
5.10	Side Button Error	5-24
5.11	VOCON TX Audio Error	5-25
5.12	Keyload Failure	5-29
5.13	Secure Hardware Failure	5-30
5.14	Removable Memory Failure.....	5-31
5.15	RX RF Failure	5-32
5.16	FGU Failure	5-44
5.17	FGU Power Failure	5-45
5.18	GPS Failure	5-46
5.19	PA Failure	5-47
Chapter 6	Troubleshooting Waveforms	6-1
6.1	List of Waveforms	6-1
6.2	Clocks	6-3
6.3	Audio SSI.....	6-8
6.4	RX SSI	6-12
6.5	TX SSI.....	6-15
6.6	SPI	6-18
6.7	I2C BUS.....	6-22
6.8	One Wire.....	6-25
6.9	GCAI	6-26
6.10	USB.....	6-29
6.11	UART	6-31
6.12	SDRAM	6-33
6.13	FLASH CONTROL.....	6-35
6.14	Removable Memory.....	6-42
6.15	Receive Baseband Signals	6-51
6.16	GPS	6-52
Chapter 7	Troubleshooting Tables	7-1
7.1	List of Board and IC Signals	7-1
Chapter 8	Schematics, Boards Overlays, and Parts Lists.....	8-1
8.1	List of Transceiver Schematics and Board Overlays	8-1
8.2	List of VOCON Schematics and Board Overlays.....	8-2
8.3	Transceiver (RF) Boards: VHF/700–800	8-4
8.4	Transceiver (RF) Boards: UHF1/700–800 MHz	8-43

8.5	Transceiver (RF) Boards: UHF1/VHF	8-105
8.6	Transceiver (RF) Boards: UHF1/UHF2.....	8-157
8.7	Transceiver (RF) Boards: UHF2/ 700–800 MHz.....	8-183
8.8	Transceiver (RF) Boards: UHF2/VHF	8-223
8.9	VOCON Boards	8-271
8.10	Expansion Boards.....	8-331

Appendix A Replacement Parts Ordering.....A-1

A.1	Basic Ordering Information	A-1
A.2	Transceiver Board, VOCON Board, Expander Board and Bluetooth Option Board Ordering InformationA-1	
A.3	Motorola Online	A-1
A.4	Mail Orders	A-1
A.5	Telephone Orders	A-1
A.6	Fax Orders.....	A-2
A.7	Parts Identification	A-2
A.8	Product Customer Service	A-2

Glossary..... Glossary-1

Index..... Index-1

List of Tables

Table 2-1.	IMPRES Batteries	2-1
Table 2-2.	Transceiver Voltage Regulators	2-3
Table 3-1.	Battery Connector J3	3-6
Table 3-2.	VOCON Connector J1001	3-7
Table 3-3.	Port Expander Pin Settings	3-24
Table 3-4.	DC Supplies and Sources for Controller	3-34
Table 3-5.	MAKO's LDO and Supplies	3-35
Table 3-6.	VOCON Clock Distribution	3-38
Table 3-7.	LED Color Codes	3-51
Table 3-8.	Key Map Matrix	3-54
Table 3-9.	Side Button Flex Connector Pin Assignment – P1 and J2005	3-55
Table 3-10.	Side Button Flex Connector Pin Assignment – P2001	3-56
Table 3-11.	P1 Pin Assignment	3-58
Table 3-12.	GCAI Connector Pin Assignment	3-58
Table 3-13.	J2004 Pin Assignment	3-59
Table 3-14.	P2001 Pin Assignment	3-60
Table 3-15.	Bluetooth Module Signal Summary	3-64
Table 3-16.	Bluetooth Module IO Summary	3-65
Table 3-17.	Bluetooth Module MMC Signals	3-66
Table 3-18.	J3001 Bluetooth Interface Connector	3-67
Table 4-1.	Recommended Service Tools	4-2
Table 4-2.	Standard Operating Bias – DC Voltages	4-3
Table 4-3.	Standard Operating Bias – Clock Sources	4-3
Table 4-4.	Power-Up Self-Check Error Codes	4-4
Table 4-5.	Power-Up Self-Check Diagnostic Actions	4-5
Table 5-1.	Troubleshooting Charts List	5-1
Table 6-1.	List of Waveforms	6-1
Table 7-1.	List of Tables of Board and IC Signals	7-1
Table 7-2.	J1001 VOCON Board to RF Board	7-2
Table 7-3.	J4001 VOCON Board to Expansion Board	7-3
Table 7-4.	J2101 VOCON Board to Control Top	7-4
Table 7-5.	J2301 VOCON Board (MNCN6200) to Front Chassis	7-5
Table 7-6.	J2301 VOCON Board (MNCN6202) to Front Chassis	7-6
Table 7-7.	J2004 Expansion Board to GCAI	7-7
Table 7-8.	J2005 Expansion Board to Side Buttons	7-7
Table 7-9.	J2101 Expansion Board to Memory Card (Slot)	7-8
Table 7-10.	Expansion Board to Front Internal Speaker and Mic	7-8
Table 7-11.	U6302 OMAP Pinouts	7-9
Table 7-12.	U6304 FLASH Pinouts	7-27
Table 7-13.	U6301 DDR Pinouts	7-30
Table 7-14.	U6101 CPLD Pinouts	7-33
Table 7-15.	U6501 MAKO Pinouts	7-38
Table 7-16.	U5003 MACE Pinouts	7-46
Table 7-17.	U6405 CODEC Pinouts	7-52
Table 7-18.	U2206 GPS Pinouts	7-55
Table 8-1.	Transceiver Schematics and Board Overlays	8-1
Table 8-2.	List of VOCON Schematics and Board Overlays	8-2
Table 8-3.	List of Expansion Board Schematics and Board Overlays	8-2

Related Publications

APX7000 Digital Portable Radios Full Feature User Guide	6875945M01
APX7000 Digital Portable Radios Half Feature User Guide	6875952M01
APX7000XE Digital Portable Radios Half Feature (M1.5) User Guide	68012002071
APX7000XE Digital Portable Radios Full Feature (M3.5) User Guide	68012006089
APX7000/ 7000XE Digital Portable Radios Basic Service Manual	6875962M01
APX 7000/ 7000XE Digital Portable Radios User Guide (CD)	PMLN5335_

List of Figures

Figure 2-1. DC Power Distribution.....	2-2
Figure 3-1. APX 7000 Overall Block Diagram (VOCON Board MNCN6200*/ MNCN6201).....	3-2
Figure 3-2. APX 7000/ APX7000XE Overall Block Diagram (VOCON Board MNCN6202*/ MNCN6203).....	3-2
Figure 3-3. Transceiver (VHF/ 7/800) Block Diagram (Power and Control Omitted).....	3-3
Figure 3-4. Transceiver (UHF1 / 7/800) Block Diagram (Power and Control Omitted)	3-4
Figure 3-5. Transceiver (UHF1 / VHF) Block Diagram (Power and Control Omitted)	3-4
Figure 3-6. Transceiver (UHF1 / UHF2) Block Diagram (Power and Control Omitted)	3-5
Figure 3-7. Transceiver (UHF2 / 7/800) Block Diagram (Power and Control Omitted)	3-5
Figure 3-8. Transceiver (UHF2 / VHF) Block Diagram (Power and Control Omitted)	3-6
Figure 3-9. Receiver Block Diagram (VHF / 7/800).....	3-9
Figure 3-10. Receiver Block Diagram (UHF1 / 7/800).....	3-10
Figure 3-11. Receiver Block Diagram (UHF1 / VHF).....	3-10
Figure 3-12. Receiver Block Diagram (UHF1 / UHF2)	3-11
Figure 3-13. Receiver Block Diagram (UHF2 / 7/800).....	3-11
Figure 3-14. Receiver Block Diagram (UHF2 / VHF).....	3-12
Figure 3-15. Transmitter Block Diagram (VHF / 7/800).....	3-15
Figure 3-16. Transmitter Block Diagram (UHF1 / 7/800).....	3-15
Figure 3-17. Transmitter Block Diagram (UHF1 / VHF).....	3-16
Figure 3-18. Transmitter Block Diagram (UHF1 / UHF2)	3-16
Figure 3-19. Transmitter Block Diagram (UHF2 / 7/800).....	3-17
Figure 3-20. Transmitter Block Diagram (UHF2 / VHF).....	3-17
Figure 3-21. Synthesizer Block Diagram.....	3-22
Figure 3-22. Controller Interconnection Diagram	3-29
Figure 3-23. Controller Electrical Overview	3-32
Figure 3-24. Controller DC Block Diagram	3-33
Figure 3-25. VCC_SW_1.4 Regulator	3-36
Figure 3-26. SW5 Circuit	3-36
Figure 3-27. Power-up Timing Regulators.....	3-37
Figure 3-28. VOCON Clock Architecture.....	3-38
Figure 3-29. Overview of OMAP Interconnection with VOCON Peripherals	3-39
Figure 3-30. OMAP Memory Interface.....	3-40
Figure 3-31. Removable Memory Outline.....	3-41
Figure 3-32. RX / TX SSI Configuration	3-42
Figure 3-33. Audio SSI Configuration.....	3-42
Figure 3-34. SPI and I2C Configuration	3-43
Figure 3-35. CPLD Block Diagram	3-44
Figure 3-36. Audio TX Path Block Diagram.....	3-45
Figure 3-37. VOCON RX Audio Path Block Diagram	3-46
Figure 3-38. Control Top Block Diagram	3-47
Figure 3-39. Display Circuit Detail Overview Block Diagram (VOCON Board MNCN6200/ MNCN6201)	3-48
Figure 3-40. Display Circuit Detail Overview Block Diagram (VOCON Board MNCN6202/ MNCN6203)	3-48
Figure 3-41. Top Level Overview of Lighting Circuit.....	3-50
Figure 3-42. Lighting Circuit Detail Overview (VOCON Board MNCN6200/ MNCN6201)	3-53
Figure 3-43. Lighting Circuit Detail Overview (VOCON Board MNCN6202/ MNCN6203)	3-53
Figure 3-44. Keypad Interface Outline.....	3-54

Figure 3-45. Side Button Flex Connector – P1 and J2005.....	3-55
Figure 3-46. Side Button Flex Connector – P2001.....	3-56
Figure 3-47. GCAI Signal Configuration.....	3-57
Figure 3-48. GCAI Connector.....	3-57
Figure 3-49. GCAI Connector – Back View.....	3-59
Figure 3-50. Side Button Controller Board Connector – J2004 and P2001	3-59
Figure 3-51. VOCON to RF Board Interface	3-61
Figure 3-52. APX 7000/ APX 7000XE Encryption Architecture.....	3-62
Figure 3-53. GPS Block Diagram (VHF/700–800 MHz) – Expander Board MHLN6977A	3-69
Figure 3-54. GPS Block Diagram (UHF1/700–800 MHz, UHF1/VHF, UHF1/UHF2, UHF2/700–800 MHz, and UHF2/VHF) – Expander Board MHLN6977	3-70
Figure 3-55. GPS Block Diagram (VHF/700–800 MHz, UHF1/700–800 MHz, UHF2/700–800 MHz, UHF1/VHF, UHF2/VHF, and UHF1/UHF2) – Expander Board MHLN7035A	3-70
Figure 6-1. 32 kHz Clock Waveform	6-3
Figure 6-2. 4 MHz Clock Waveform	6-4
Figure 6-3. 12 MHz Clock Waveform	6-5
Figure 6-4. 16.8 MHz Clock Waveform	6-6
Figure 6-5. 24 MHz Clock Waveform	6-7
Figure 6-6. Audio SSI – Red Tx Waveform	6-8
Figure 6-7. Audio SSI – Red Rx Waveform.....	6-9
Figure 6-8. Audio SSI – Sync. Waveform.....	6-10
Figure 6-9. Audio SSI – BCLK. Waveform	6-11
Figure 6-10. RX SSI – CLK. Waveform.....	6-12
Figure 6-11. RX SSI – DA Waveform.....	6-13
Figure 6-12. RX SSI – FSync. Waveform.....	6-14
Figure 6-13. TX SSI – TX CLK. Waveform.....	6-15
Figure 6-14. TX SSI – DA Waveform	6-16
Figure 6-15. TX SSI – FSync. Waveform	6-17
Figure 6-16. SPI – CLK Waveform.....	6-18
Figure 6-17. SPI – CLK INV Waveform.....	6-19
Figure 6-18. SPI – CS Waveform.....	6-20
Figure 6-19. SPI – MOSI Waveform.....	6-21
Figure 6-20. I2C Bus – SCA Waveform	6-22
Figure 6-21. I2C Bus – SCA 5V Waveform	6-23
Figure 6-22. I2C Bus – SDA Waveform	6-24
Figure 6-23. 1-Wire Waveform	6-25
Figure 6-24. GCAI – GPIO1 Waveform.....	6-26
Figure 6-25. GCAI – GPIO3 Waveform.....	6-27
Figure 6-26. GCAI – GPIO4 Waveform.....	6-28
Figure 6-27. USB – D- Waveform	6-29
Figure 6-28. USB – D+ Waveform.....	6-30
Figure 6-29. UART – RX Waveform	6-31
Figure 6-30. UART – TX Waveform	6-32
Figure 6-31. SDRAM – CLK Waveform.....	6-33
Figure 6-32. SDRAM – CLKX Waveform	6-34
Figure 6-33. FLASH CONTROL – ADV Waveform	6-35
Figure 6-34. FLASH CONTROL – CPLD CS Waveform.....	6-36
Figure 6-35. FLASH CONTROL – CS3 Waveform	6-37
Figure 6-36. FLASH CONTROL – OE Waveform	6-38
Figure 6-37. FLASH CONTROL – RDY Waveform.....	6-39
Figure 6-38. FLASH CONTROL – WAIT Waveform.....	6-40
Figure 6-39. FLASH CONTROL – WE Waveform.....	6-41
Figure 6-40. Removable Memory – MMC2 CMD Waveform.....	6-42
Figure 6-41. Removable Memory – MMC2 D0 Waveform	6-43

Figure 6-42. Removable Memory – MMC2 D1 Waveform	6-44
Figure 6-43. Removable Memory – MMC2 D2 Waveform	6-45
Figure 6-44. Removable Memory – MMC2 D3 Waveform	6-46
Figure 6-45. Removable Memory – MMC2 CMD DIR Waveform.....	6-47
Figure 6-46. Removable Memory – MMC2 D0 DIR Waveform	6-48
Figure 6-47. Removable Memory – MMC2 D1 DIR Waveform	6-49
Figure 6-48. Removable Memory – MMC2 CLK Waveform	6-50
Figure 6-49. Received Baseband Waveforms	6-51
Figure 6-50. GPS TCXO Waveforms	6-52
Figure 6-51. GPS RTC Waveforms	6-53
Figure 6-52. GPS UART DATA Waveforms.....	6-54
Figure 8-1. List of Expansion Board Schematics and Overlays	8-2
Figure 8-2. MNUR4001B/D Transceiver (RF) Board Overall Circuit Schematic	8-4
Figure 8-3. MNUR4001B/D VHF Harmonic Filter Circuit.....	8-5
Figure 8-4. MNUR4001B/D 700–800 MHz Harmonic Filter Circuit	8-5
Figure 8-5. MNUR4001B GPS Circuit	8-6
Figure 8-6. MNUR4001D GPS Circuit.....	8-7
Figure 8-7. MNUR4001B/D Miscellaneous Connector Circuit.....	8-8
Figure 8-8. MNUR4001B/D VHF Receiver Front End Circuit.....	8-9
Figure 8-9. MNUR4001B/D 700–800 MHz Receiver Front End Circuit.....	8-10
Figure 8-10. MNUR4001B Receiver Back End Circuit	8-11
Figure 8-11. MNUR4001D Receiver Back End Circuit.....	8-12
Figure 8-12. MNUR4001B/D DC Power Circuit.....	8-13
Figure 8-13. MNUR4001B/D Transmitter and Automatic Level Control Circuits	8-14
Figure 8-14. MNUR4001B/D Frequency Generation Unit (Synthesizer) Circuit – 1 of 2.....	8-15
Figure 8-15. MNUR4001B/D Frequency Generation Unit (VCO) Circuit – 2 of 2.....	8-16
Figure 8-16. MNUR4001B/D Mixer and IF Filter Circuits	8-17
Figure 8-17. MNUR4001B/D VHF Power Amplifier Circuit.....	8-18
Figure 8-18. MNUR4001B/D 700–800 MHz Power Amplifier Circuit.....	8-19
Figure 8-19. MNUR4001B/D Transceiver (RF) Board Layout – Side 1	8-20
Figure 8-20. MNUR4001B/D Transceiver (RF) Board Layout – Side 2.....	8-21
Figure 8-21. MNUS4000A/C/E Transceiver (RF) Board Overall Circuit Schematic	8-43
Figure 8-22. MNUS4000A/C/E UHF1 Harmonic Filter Circuit	8-44
Figure 8-23. MNUS4000A/C/E 700–800 MHz Harmonic Filter Circuit	8-44
Figure 8-24. MNUS4000A/C/E GPS Circuit	8-45
Figure 8-25. MNUS4000A/C/E Miscellaneous Connector Circuit.....	8-46
Figure 8-26. MNUS4000A/C/E UHF1 Receiver Front End Circuit.....	8-47
Figure 8-27. MNUS4000A/C/E 700–800 MHz Receiver Front End Circuit.....	8-48
Figure 8-28. MNUS4000A/C/E Receiver Back End Circuit	8-49
Figure 8-29. MNUS4000E Receiver Back End Circuit	8-50
Figure 8-30. MNUS4000A/C/E DC Power Circuit.....	8-51
Figure 8-31. MNUS4000A/C/E Transmitter and Automatic Level Control Circuits.....	8-52
Figure 8-32. MNUS4000A/C/E Frequency Generation Unit (Synthesizer) Circuit – 1 of 2.....	8-53
Figure 8-33. MNUS4000A/C/E Frequency Generation Unit (VCO) Circuit – 2 of 2.....	8-54
Figure 8-34. MNUS4000A/C/E Mixer and IF Filter Circuits	8-55
Figure 8-35. MNUS4000A/E UHF1 Power Amplifier Circuit.....	8-56
Figure 8-36. MNUS4000C/F UHF1 Power Amplifier Circuit.....	8-57
Figure 8-37. MNUS4000A/C/E/F 700–800 MHz Power Amplifier Circuit	8-58
Figure 8-38. MNUS4000A/E Transceiver (RF) Board Layout – Side 1	8-59
Figure 8-39. MNUS4000A/E Transceiver (RF) Board Layout – Side 2	8-60
Figure 8-40. MNUS4000C/F Transceiver (RF) Board Layout – Side 1	8-61
Figure 8-41. MNUS4000C/F Transceiver (RF) Board Layout – Side 2	8-62
Figure 8-42. MNUT4000A/C/E Transceiver (RF) Board Overall Circuit Schematic	8-105
Figure 8-43. MNUT4000A/C/E UHF1 Harmonic Filter Circuit	8-106

Figure 8-44. MNUT4000A/C/E VHF MHz Harmonic Filter Circuit.....	8-106
Figure 8-45. MNUT4000A/C/E GPS Circuit	8-107
Figure 8-46. MNUT4000A/C/E Miscellaneous Connector Circuit.....	8-108
Figure 8-47. MNUT4000A/C/E UHF1 Receiver Front End Circuit.....	8-109
Figure 8-48. MNUT4000A/C/E VHF Receiver Front End Circuit.....	8-110
Figure 8-49. MNUT4000A/C Receiver Back End Circuit.....	8-111
Figure 8-50. MNUT4000E Receiver Back End Circuit	8-112
Figure 8-51. MNUT4000A/C/E DC Power Circuit.....	8-113
Figure 8-52. MNUT4000A/C/E Transmitter and Automatic Level Control Circuits.....	8-114
Figure 8-53. MNUT4000A/C/E Frequency Generation Unit (Synthesizer) Circuit – 1 of 2.....	8-115
Figure 8-54. MNUT4000A/C/E Frequency Generation Unit (VCO) Circuit – 2 of 2.....	8-116
Figure 8-55. MNUT4000A/C/E Mixer and IF Filter Circuits	8-117
Figure 8-56. MNUT4000A UHF1 Power Amplifier Circuit	8-118
Figure 8-57. MNUT4000C/E UHF1 Power Amplified Circuit	8-119
Figure 8-58. MNUT4000A/C/E VHF Power Amplifier Circuit.....	8-120
Figure 8-59. MNUT4000A Transceiver (RF) Board Layout – Side 1.....	8-121
Figure 8-60. MNUT4000A Transceiver (RF) Board Layout – Side 2.....	8-122
Figure 8-61. MNUT4000C/E Transceiver (RF) Board Layout – Side 1	8-123
Figure 8-62. MNUT4000C/E Transceiver (RF) Board Layout – Side 2	8-124
Figure 8-63. MNUE7367A Transceiver (RF) Board Overall Circuit Schematic.....	8-157
Figure 8-64. MNUE7367A UHF1 Harmonic Filter Circuit.....	8-158
Figure 8-65. MNUE7367A UHF2 MHz Harmonic Filter Circuit.....	8-158
Figure 8-66. MNUE7367A GPS Circuit	8-159
Figure 8-67. MNUE7367A Miscellaneous Connector Circuit	8-160
Figure 8-68. MNUE7367A UHF1 Receiver Front End Circuit	8-161
Figure 8-69. MNUE7367A UHF2 Receiver Front End Circuit	8-162
Figure 8-70. MNUE7367A Receiver Back End Circuit	8-163
Figure 8-71. MNUE7367x Receiver Back End Circuit.....	8-164
Figure 8-72. MNUE7367A DC Power Circuit	8-165
Figure 8-73. MNUE7367A Transmitter and Automatic Level Control Circuits.....	8-166
Figure 8-74. MNUE7367A Frequency Generation Unit (Synthesizer) Circuit – 1 of 2	8-167
Figure 8-75. MNUE7367A Frequency Generation Unit (VCO) Circuit – 2 of 2	8-168
Figure 8-76. MNUE7367A Mixer and IF Filter Circuits	8-169
Figure 8-77. MNUE7367A UHF1 Power Amplifier Circuit	8-170
Figure 8-78. MNUE7367A UHF2 Power Amplifier Circuit	8-171
Figure 8-79. MNUE7367A Transceiver (RF) Board Layout – Side 1	8-172
Figure 8-80. MNUE7367A Transceiver (RF) Board Layout – Side 2	8-173
Figure 8-81. MNUS4002A/E Transceiver (RF) Board Overall Circuit Schematic.....	8-183
Figure 8-82. MNUS4002A/E UHF2 Harmonic Filter Circuit.....	8-184
Figure 8-83. MNUS4002A/E 700–800 MHz Harmonic Filter Circuit.....	8-184
Figure 8-84. MNUS4002A/E GPS Circuit.....	8-185
Figure 8-85. MNUS4002A/E Miscellaneous Connector Circuit.....	8-186
Figure 8-86. MNUS4002A/E UHF2 Receiver Front End Circuit.....	8-187
Figure 8-87. MNUS4002A/E 700–800 MHz Receiver Front End Circuit.....	8-188
Figure 8-88. MNUS4002A Receiver Back End Circuit	8-189
Figure 8-89. MNUS4002E Receiver Back End Circuit	8-190
Figure 8-90. MNUS4002A/E DC Power Circuit.....	8-191
Figure 8-91. MNUS4002A/E Transmitter and Automatic Level Control Circuits	8-192
Figure 8-92. MNUS4002A/E Frequency Generation Unit (Synthesizer) Circuit – 1 of 2	8-193
Figure 8-93. MNUS4002A/E Frequency Generation Unit (VCO) Circuit – 2 of 2.....	8-194
Figure 8-94. MNUS4002A/E Mixer and IF Filter Circuits.....	8-195
Figure 8-95. MNUS4002A/E UHF2 Power Amplifier Circuit.....	8-196
Figure 8-96. MNUS4002A/E 700–800 MHz Power Amplifier Circuit.....	8-197
Figure 8-97. MNUS4002A/E Transceiver (RF) Board Layout – Side 1	8-198

Figure 8-98. MNUS4002A/ETransceiver (RF) Board Layout – Side 2	8-199
Figure 8-99. MNUT4004A/C/E Transceiver (RF) Board Overall Circuit Schematic	8-223
Figure 8-100. MNUT4004A/C/E UHF2 Harmonic Filter Circuit	8-224
Figure 8-101. MNUT4004A/C/E VHF MHz Harmonic Filter Circuit	8-224
Figure 8-102. MNUT4004A/C/EGPS Circuit.....	8-225
Figure 8-103. MNUT4004A/C/E Miscellaneous Connector Circuit.....	8-226
Figure 8-104. MNUT4004A/C/E UHF2 Receiver Front End Circuit.....	8-227
Figure 8-105. MNUT4004A/C/E VHF Receiver Front End Circuit.....	8-228
Figure 8-106. MNUT4004A/C Receiver Back End Circuit.....	8-229
Figure 8-107. MNUT4004E Receiver Back End Circuit.....	8-230
Figure 8-108. MNUT4004A/C/E DC Power Circuit.....	8-231
Figure 8-109. MNUT4004A/C/E Transmitter and Automatic Level Control Circuits	8-232
Figure 8-110. MNUT4004A/C/E Frequency Generation Unit (Synthesizer) Circuit – 1 of 2.....	8-233
Figure 8-111. MNUT4004A/C/E Frequency Generation Unit (VCO) Circuit – 2 of 2.....	8-234
Figure 8-112. MNUT4004A/C/E Mixer and IF Filter Circuits	8-235
Figure 8-113. MNUT4004A UHF2 Power Amplifier Circuit.....	8-236
Figure 8-114. MNUT4004C/E UHF2 Power Amplifier Circuit.....	8-237
Figure 8-115. MNUT4004A/C/E VHF Power Amplifier Circuit.....	8-238
Figure 8-116. MNUT4004A/C/E Transceiver (RF) Board Layout – Side 1.....	8-239
Figure 8-117. MNUT4004A/C/E T Transceiver (RF) Board Layout – Side 2.....	8-240
Figure 8-118. MNCN6200A/MNCN6201A/MNCN6202A/MNCN6203A VOCON Board Overall Schematic	8-271
Figure 8-119. MNCN6200A/MNCN6201A/MNCN6202A/MNCN6203A VOCON CID, Controls and JTAG Schematics	8-272
Figure 8-120. MNCN6200A/MNCN6201A VOCON LCD and Connector Circuits.....	8-273
Figure 8-121. MNCN6202A/MNCN6203A VOCON LCD and Connector Circuits.....	8-274
Figure 8-122. MNCN6200A VOCON Lighting Controller Circuits.....	8-275
Figure 8-123. MNCN6201A VOCON Lighting Controller Circuits.....	8-276
Figure 8-124. MNCN6202A VOCON Lighting Controller Circuits.....	8-277
Figure 8-125. MNCN6203A VOCON Lighting Controller Circuits.....	8-278
Figure 8-126. MNCN6200A/MNCN6201A VOCON Memory Interface Circuits.....	8-279
Figure 8-127. MNCN6202A/MNCN6203A VOCON Memory Interface Circuits.....	8-280
Figure 8-128. MNCN6200A/MNCN6201A/MNCN6202A/MNCN6203A VOCON Expansion Interface Circuits	8-281
Figure 8-129. MNCN6200A/MNCN6201A VOCON Codec and Mako Audio Circuits	8-282
Figure 8-130. MNCN6202A/MNCN6203A VOCON Codec and Mako Audio Circuits	8-283
Figure 8-131. MNCN6200A/MNCN6201A/MNCN6202A/MNCN6203A VOCON Secure Circuits.....	8-284
Figure 8-132. MNCN6200A/MNCN6201A/MNCN6202A/MNCN6203A Option Board Interface Circuit.	8-285
Figure 8-133. MNCN6200A/MNCN6201A/MNCN6202A/MNCN6203A VOCON CPLD Circuit	8-286
Figure 8-134. MNCN6200A/MNCN6201A/MNCN6202A/MNCN6203A VOCON OMAP User Interface Circuits	8-287
Figure 8-135. MNCN6200A/MNCN6201A/MNCN6202A/MNCN6203A VOCON Power Circuits – 1 of 2	8-288
Figure 8-136. MNCN6200A/MNCN6201A VOCON Power Circuits – 2 of 2	8-289
Figure 8-137. MNCN6202A/MNCN6203A VOCON Power Circuits – 2 of 2	8-290
Figure 8-138. MNCN6200A/MNCN6201A/MNCN6202A/MNCN6203A VOCON Serial Interface Circuit.....	8-291
Figure 8-139. MNCN6200A/MNCN6201A/MNCN6202A/MNCN6203A VOCON RF Interface Circuit ...	8-292
Figure 8-140. MNCN6200A/MNCN6201A VOCON Board Layout – Side 1	8-293
Figure 8-141. MNCN6200A/MNCN6201A VOCON Board Layout – Side 2	8-294
Figure 8-142. MNCN6202A/ MNCN6203A VOCON Board Layout – Side 1	8-295
Figure 8-143. MNCN6202A/ MNCN6203A VOCON Board Layout – Side 2	8-296
Figure 8-144. MHLN6977A Expansion Board Overall Circuit Schematic.....	8-331
Figure 8-145. MHLN6977B Expansion Board Overall Circuit Schematic.....	8-332

Figure 8-146.MHLN7035A Expansion Board Overall Circuit Schematic.....	8-333
Figure 8-147.MHLN6977A/B GPS Circuit	8-334
Figure 8-148.MHLN7053A GPS Circuit.....	8-335
Figure 8-149.MHLN6977A/B and MHLN7035A Audio Controller Circuit	8-336
Figure 8-150.MHLN6977A Expansion Board Layout – Side 1	8-337
Figure 8-151.MHLN6977A Expansion Board Layout – Side 2	8-338
Figure 8-152.MHLN6977B Expansion Board Layout – Side 1	8-339
Figure 8-153.MHLN7035A Expansion Board Layout – Side 1	8-340
Figure 8-154.MHLN6977B/MHLN7035A Expansion Board Layout – Side 2	8-341

Commercial Warranty

Limited Warranty

MOTOROLA COMMUNICATION PRODUCTS

I. What This Warranty Covers And For How Long

MOTOROLA SOLUTIONS INC. ("MOTOROLA") warrants the MOTOROLA manufactured Communication Products listed below ("Product") against defects in material and workmanship under normal use and service for a period of time from the date of purchase as scheduled below:

ASTRO APX7000/ 7000XE Digital Portable Units	One (1) Year
Product Accessories	One (1) Year

Motorola, at its option, will at no charge either repair the Product (with new or reconditioned parts), replace it (with a new or reconditioned Product), or refund the purchase price of the Product during the warranty period provided it is returned in accordance with the terms of this warranty. Replaced parts or boards are warranted for the balance of the original applicable warranty period. All replaced parts of Product shall become the property of MOTOROLA.

This express limited warranty is extended by MOTOROLA to the original end user purchaser only and is not assignable or transferable to any other party. This is the complete warranty for the Product manufactured by MOTOROLA. MOTOROLA assumes no obligations or liability for additions or modifications to this warranty unless made in writing and signed by an officer of MOTOROLA. Unless made in a separate agreement between MOTOROLA and the original end user purchaser, MOTOROLA does not warrant the installation, maintenance or service of the Product.

MOTOROLA cannot be responsible in any way for any ancillary equipment not furnished by MOTOROLA which is attached to or used in connection with the Product, or for operation of the Product with any ancillary equipment, and all such equipment is expressly excluded from this warranty. Because each system which may use the Product is unique, MOTOROLA disclaims liability for range, coverage, or operation of the system as a whole under this warranty.

II. General Provisions

This warranty sets forth the full extent of MOTOROLA's responsibilities regarding the Product. Repair, replacement or refund of the purchase price, at MOTOROLA's option, is the exclusive remedy. THIS WARRANTY IS GIVEN IN LIEU OF ALL OTHER EXPRESS WARRANTIES. IMPLIED WARRANTIES, INCLUDING WITHOUT LIMITATION, IMPLIED WARRANTIES OF MERCHANTABILITY AND FITNESS FOR A PARTICULAR PURPOSE, ARE LIMITED TO THE DURATION OF THIS LIMITED WARRANTY. IN NO EVENT SHALL MOTOROLA BE LIABLE FOR DAMAGES IN EXCESS OF THE PURCHASE PRICE OF THE PRODUCT, FOR ANY LOSS OF USE, LOSS OF TIME, INCONVENIENCE, COMMERCIAL LOSS, LOST PROFITS OR SAVINGS OR OTHER INCIDENTAL, SPECIAL OR CONSEQUENTIAL DAMAGES ARISING OUT OF THE USE OR INABILITY TO USE SUCH PRODUCT, TO THE FULL EXTENT SUCH MAY BE DISCLAIMED BY LAW.

III. State Law Rights

SOME STATES DO NOT ALLOW THE EXCLUSION OR LIMITATION OF INCIDENTAL OR CONSEQUENTIAL DAMAGES OR LIMITATION ON HOW LONG AN IMPLIED WARRANTY LASTS, SO THE ABOVE LIMITATION OR EXCLUSIONS MAY NOT APPLY.

This warranty gives specific legal rights, and there may be other rights which may vary from state to state.

IV. How To Get Warranty Service

You must provide proof of purchase (bearing the date of purchase and Product item serial number) in order to receive warranty service and, also, deliver or send the Product item, transportation and insurance prepaid, to an authorized warranty service location. Warranty service will be provided by Motorola through one of its authorized warranty service locations. If you first contact the company which sold you the Product, it can facilitate your obtaining warranty service. You can also call Motorola at 1-888-567-7347 US/Canada.

V. What This Warranty Does Not Cover

- A. Defects or damage resulting from use of the Product in other than its normal and customary manner.
- B. Defects or damage from misuse, accident, water, or neglect.
- C. Defects or damage from improper testing, operation, maintenance, installation, alteration, modification, or adjustment.
- D. Breakage or damage to antennas unless caused directly by defects in material workmanship.
- E. A Product subjected to unauthorized Product modifications, disassemblies or repairs (including, without limitation, the addition to the Product of non-Motorola supplied equipment) which adversely affect performance of the Product or interfere with Motorola's normal warranty inspection and testing of the Product to verify any warranty claim.
- F. Product which has had the serial number removed or made illegible.
- G. Rechargeable batteries if:
 - any of the seals on the battery enclosure of cells are broken or show evidence of tampering.
 - the damage or defect is caused by charging or using the battery in equipment or service other than the Product for which it is specified.
- H. Freight costs to the repair depot.
- I. A Product which, due to illegal or unauthorized alteration of the software/firmware in the Product, does not function in accordance with MOTOROLA's published specifications or the FCC certification labeling in effect for the Product at the time the Product was initially distributed from MOTOROLA.
- J. Scratches or other cosmetic damage to Product surfaces that does not affect the operation of the Product.
- K. Normal and customary wear and tear.

VI. Patent And Software Provisions

MOTOROLA will defend, at its own expense, any suit brought against the end user purchaser to the extent that it is based on a claim that the Product or parts infringe a United States patent, and MOTOROLA will pay those costs and damages finally awarded against the end user purchaser in any such suit which are attributable to any such claim, but such defense and payments are conditioned on the following:

- A. that MOTOROLA will be notified promptly in writing by such purchaser of any notice of such claim;
- B. that MOTOROLA will have sole control of the defense of such suit and all negotiations for its settlement or compromise; and
- C. should the Product or parts become, or in MOTOROLA's opinion be likely to become, the subject of a claim of infringement of a United States patent, that such purchaser will permit MOTOROLA, at its option and expense, either to procure for such purchaser the right to continue using the Product or parts or to replace or modify the same so that it becomes noninfringing or to grant such purchaser a credit for the Product or parts as depreciated and accept its return. The depreciation will be an equal amount per year over the lifetime of the Product or parts as established by MOTOROLA.

MOTOROLA will have no liability with respect to any claim of patent infringement which is based upon the combination of the Product or parts furnished hereunder with software, apparatus or devices not furnished by MOTOROLA, nor will MOTOROLA have any liability for the use of ancillary equipment or software not furnished by MOTOROLA which is attached to or used in connection with the Product. The foregoing states the entire liability of MOTOROLA with respect to infringement of patents by the Product or any parts thereof.

Laws in the United States and other countries preserve for MOTOROLA certain exclusive rights for copyrighted MOTOROLA software such as the exclusive rights to reproduce in copies and distribute copies of such Motorola software. MOTOROLA software may be used in only the Product in which the software was originally embodied and such software in such Product may not be replaced, copied, distributed, modified in any way, or used to produce any derivative thereof. No other use including, without limitation, alteration, modification, reproduction, distribution, or reverse engineering of such MOTOROLA software or exercise of rights in such MOTOROLA software is permitted. No license is granted by implication, estoppel or otherwise under MOTOROLA patent rights or copyrights.

VII. Governing Law

This Warranty is governed by the laws of the State of Illinois, USA.

Chapter 1 Introduction

1.1 General

This manual includes all the information needed to maintain peak product performance and maximum working time for the ASTRO APX 7000/ 7000XE radio. This detailed level of service (component level) is typical of the service performed by some service centers, self-maintained customers, and distributors.

APX 7000 and APX 7000XE are available in both Top Display and Dual Display versions.

Use this manual in conjunction with the *ASTRO APX 7000/ 7000XE VHF (136–174 MHz), UHF1 (380–470 MHz), UHF2 (450–520 MHz) and 764–870 MHz Digital Portable Radios Basic Service Manual* (Motorola part number 6875962M01), which can help in troubleshooting a problem to a particular printed circuit (PC) board.

Conduct the basic performance checks outlined in the basic service manual first to verify the need to analyze the radio and to help pinpoint the functional problem area. In addition, you will become familiar with the radio test mode of operation, which is a helpful tool. If any basic receive or transmit parameters fail to be met, the radio should be aligned according to the radio alignment procedure.

Included in other areas of this manual are functional block diagrams, detailed theory of operation, troubleshooting charts and waveforms, schematics, and parts lists. You should become familiar with these sections to aid in determining circuit problems. Also included are component location diagrams to aid in locating individual circuit components and some IC diagrams, which identify some convenient probe points.

[“Chapter 3, Theory of Operation,” on page 3-1](#), contains detailed descriptions of the operations of many circuits. Once you locate the problem area, review the troubleshooting flowchart for that circuit to fix the problem.

1.2 Notations Used in This Manual

Throughout the text in this publication, you will notice the use of warnings, cautions, and notes. These notations are used to emphasize that safety hazards exist, and care must be taken and observed.

NOTE: An operational procedure, practice, or condition that is essential to emphasize.



Caution

CAUTION indicates a potentially hazardous situation which, if not avoided, might result in equipment damage.



WARNING

WARNING indicates a potentially hazardous situation which, if not avoided, could result in death or injury.



DANGER

DANGER indicates an imminently hazardous situation which, if not avoided, will result in death or injury.

Chapter 2 Radio Power

This chapter provides a detailed circuit description of the power distribution of an ASTRO APX 7000/7000XE radio.

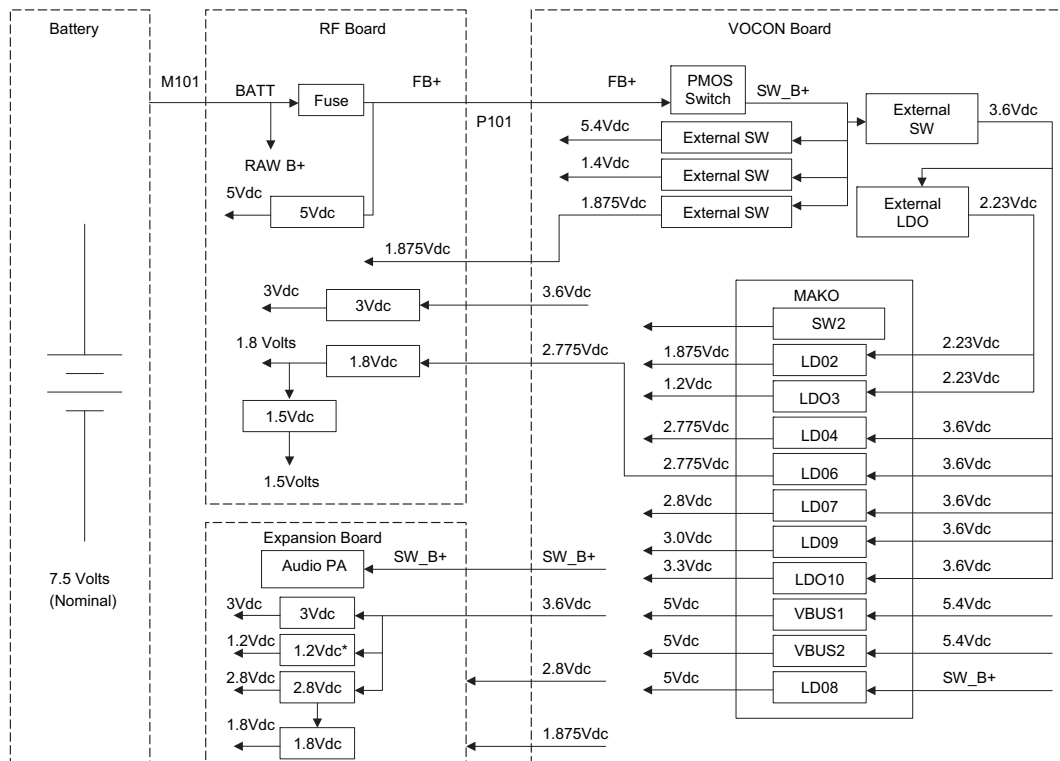
2.1 General

In the ASTRO APX 7000/7000XE radio, power (B+) is distributed to two boards: the transceiver (RF) board and the VOCON board (see [Figure 2-1 on page 2-2](#)).

Power for the radio is provided through a battery supplying a nominal 7.5 Vdc directly to the transceiver. The following battery types and capacities are available:

Table 2-1. IMPRES Batteries

Part Number	Description
NNTN7033	IMPRES Li-Ion 4100 mAh , Intrinsically Safe, Rugged
NNTN7034	IMPRES Li-Ion 4200 mAh, Rugged
NNTN7035	IMPRES NiMH 2000 mAh, Intrinsically Safe, Rugged
NNTN7036	IMPRES NiMH 2000 mAh, Intrinsically Safe, IP67
NNTN7037	IMPRES NiMH 2100 mA, IP67
NNTN7038	IMPRES Li-Ion 2900 mAh, IP67
NNTN7573	IMPRES NiMH 2100 mAh, Rugged
NNTN8092	IMPRES Li-Ion 2300 mAh, Intrinsically Safe, Rugged
PMNN4403	IMPRES Li-Ion 2150 mAh, Slim, IP67



Note: *) Not applicable for TI Chipset

Figure 2-1. DC Power Distribution

B+ from the battery is electrically switched to most of the radio, rather than routed through the On/Off/volume control knob, S2. The electrical switching of B+ supports a *keep-alive* mode. Under software control, even when the On/Off/volume control knob has been turned to the Off position, power remains on until the MCU completes its power-down, at which time the radio is physically powered down.

2.2 DC Power Routing – Transceiver Board

NOTE: Refer to [Table 8-1, “Transceiver Schematics and Board Overlays,”](#) on page 8-1 for a listing of schematics showing the transceiver board DC power routing components.

Connector M101, the B-plus assembly, connects the battery to the transceiver board. Component E200 forms a power-line filter for signal DC_RAW_B+, which supplies battery voltage to the transmitter section. Fuse F200 and filter C202, L200, C203 supply fused B plus to the VOCON board.

In turn, the VOCON board supplies VSW1 regulated 3.6 Vdc, 2.775 Vdc, and 1.875 Vdc. The 3.6 Vdc supplies regulator U201 and controls switch Q201 which supplies fuse B+ to regulator U200. The 2.775 Vdc supplies regulator U202, Trident IC U702, 16.8 MHz crystal circuit and Logic Expander IC U703. The 1.875 sets the logic level for the SPI and SSI data.

The transceiver board has four regulators 5 Vdc (U200), 3 Vdc (U201), 1.8 Vdc (U202) and 1.5 Vdc (U203). The 5 volt regulator supplies the FGU section, transmitter ALC and receiver back end. The 3 volt regulator supplies dc for the receiver front ends, mixer, receiver back end and GPS. The 1.8 volt regulator supplies dc for the receiver front end and mixer. The 1.5 volt regulator supplies dc for the buffers in the FGU section.

The transceiver regulated power supplies are summarized in [Table 2-2](#).

Table 2-2. Transceiver Voltage Regulators

Reference Designator	IC Name	Output Signal Name	Description
U200	LP2989	DC_LIN_5V	Regulated 5.0 Vdc
U201	LP5900	DC_LIN_3V	Regulated 3.0 Vdc
U202	LP5900	DC_LIN_1_8V	Regulated 1.8 Vdc
U203	LP5952	DC_LIN_1_5V	Regulated 1.5 Vdc

2.3 DC Power Routing – VOCON Board

NOTE: Refer to [Table 8-2, “List of VOCON Schematics and Board Overlays,”](#) on page 8-2 for a listing of schematics showing the VOCON board DC power routing components.

Refer to [“3.2.2 DC Distribution”](#) on page 3-33 for details on DC Power Routing for VOCON Board.

Notes

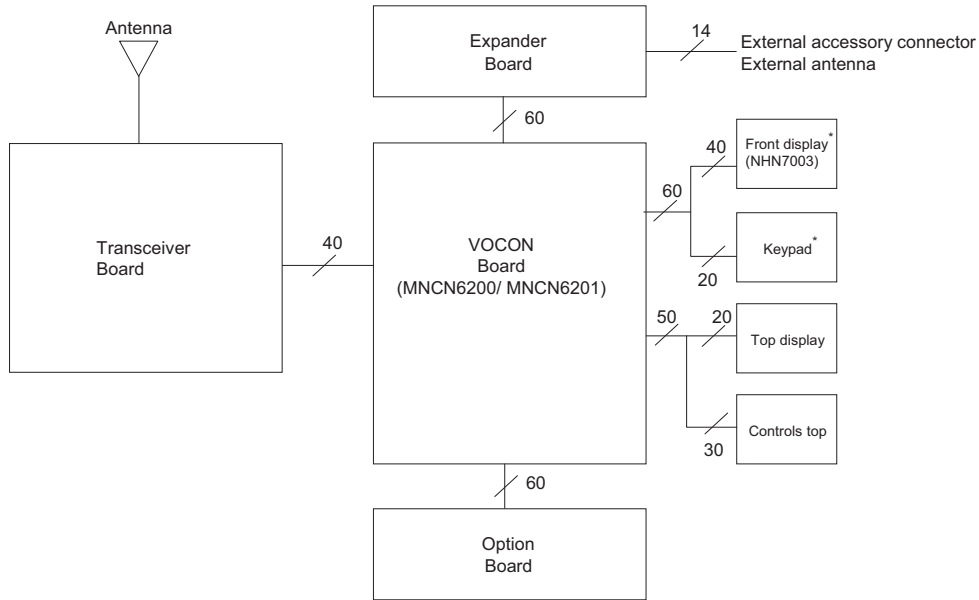
Chapter 3 Theory of Operation

This chapter provides a detailed circuit description of the ASTRO APX 7000/ 7000XE transceiver and VOCON boards. When reading the theory of operation, refer to the appropriate schematic and component location diagrams located in the back of this manual. This detailed theory of operation can help isolate the problem to a particular component.

The ASTRO APX 7000/ 7000XE radio, which is a wideband, synthesized radio available in the VHF (136–174 MHz), UHF1 (380–470 MHz), UHF2 (450–520 MHz), or 7/800 (764–870 MHz) frequency bands, as well as dual-band combinations of VHF/7/800, UHF1/VHF, UHF1/7/800, UHF2/VHF, UHF2/7/800, and UHF1/UHF2. All ASTRO APX 7000/ 7000XE radios are capable of both analog operation (12.5 kHz or 25 kHz bandwidths), ASTRO mode (digital) operation (12.5 kHz only) and X2-TDMA mode (25 kHz only).

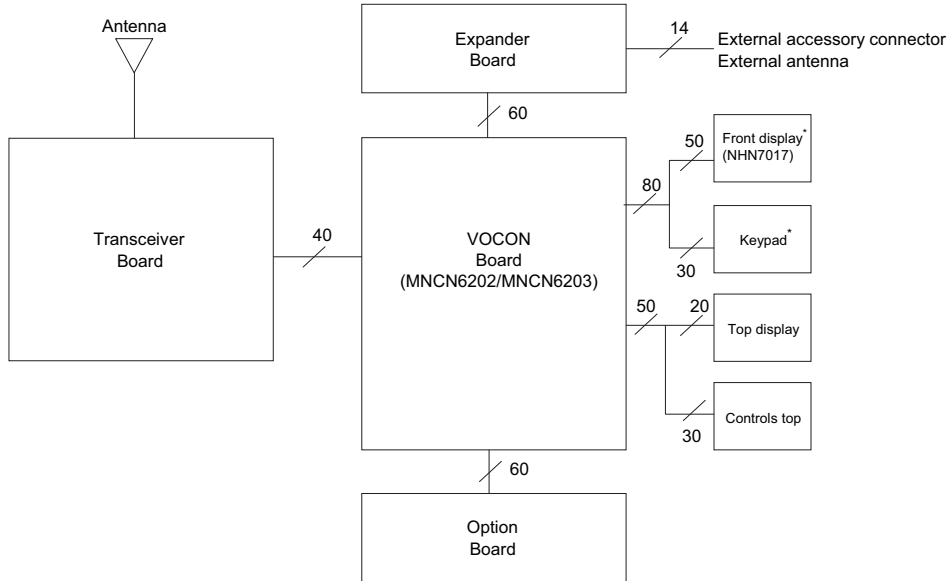
The ASTRO APX 7000/ 7000XE radio ([Figure 3-1](#)) consists of the following:

- **VOCON Board** – contains a dual-core processor which includes both the microcontroller unit (MCU) and a digital signal processor (DSP) core, the processor's memory devices, an audio and power supply support integrated circuit (IC), a digital support IC, external audio power amplifier, and Type III secure IC.
- **Transceiver (XCVR) Board** – contains all transmit, receive, and frequency generation circuitry, including the digital receiver back-end IC and the reference oscillator.
- **Expander Board** – contains the internal audio power amplifier circuitry and the Global Positioning System (GPS) IC and support circuitry.
- **Bluetooth Option Board** – contains a microprocessor and memory, Bluetooth circuitry, MPP (Motorola Proximity Pairing) circuitry, and an accelerometer.
- **Top Display** – 112 pixels x 32 pixels, transfective monochrome liquid crystal display (LCD). (APX 7000 utilizes a 1.1" diagonal display while APX 7000XE utilizes a 1.2" diagonal display)
- **Control Top** – contains five switches: On/Off & Volume Knob, a 16 position Channel/Frequency Knob with concentric 2 position switch (for Secure Enable/Disable operation), a 3 position toggle switch for Zone Selection, and a push button switch used for Emergency calling. The control top also includes an TX/RX LED that is solid amber upon receive, red on PTT, and blinks amber on secure TX/RX.
- **Front Display (Dual-Display Version only)** – 320 pixels x 240 pixels, transfective color LCD.
- **Keypad (Dual-Display Version only)** – Dual-Display version has a 3 x 2 Menu keypad with 4-way navigation button, and a 3 x 4 alphanumeric keypad.



Note:
 *. Only for APX 7000 Dual-Display versions.

Figure 3-1. APX 7000 Overall Block Diagram (VOCON Board MNCN6200*/MNCN6201)



Note:
 *. Only for Dual-Display versions.

Figure 3-2. APX 7000/APX7000XE Overall Block Diagram (VOCON Board MNCN6202*/MNCN6203)

NOTE: *) Dual-Display Version

3.1 Transceiver Board

The transceiver (XCVR) board performs the transmitter and receiver functions necessary to translate between voice and data from the VOCON board and the modulated radio-frequency (RF) carrier at the antenna. The transceiver board contains all the radio's RF circuits for the following major components:

- Receiver
- Transmitter
- Frequency Generation Unit (FGU)

Figure 3-3 illustrates the VHF/7/800 transceiver board block diagram, Figure 3-4, Figure 3-5 and Figure 3-6 illustrates the UHF1/7/800, UHF1/VHF and UHF1/UHF2 transceiver block diagrams while Figure 3-7 and Figure 3-8 illustrates the UHF2/7/800 and UHF2/VHF transceiver block diagrams.

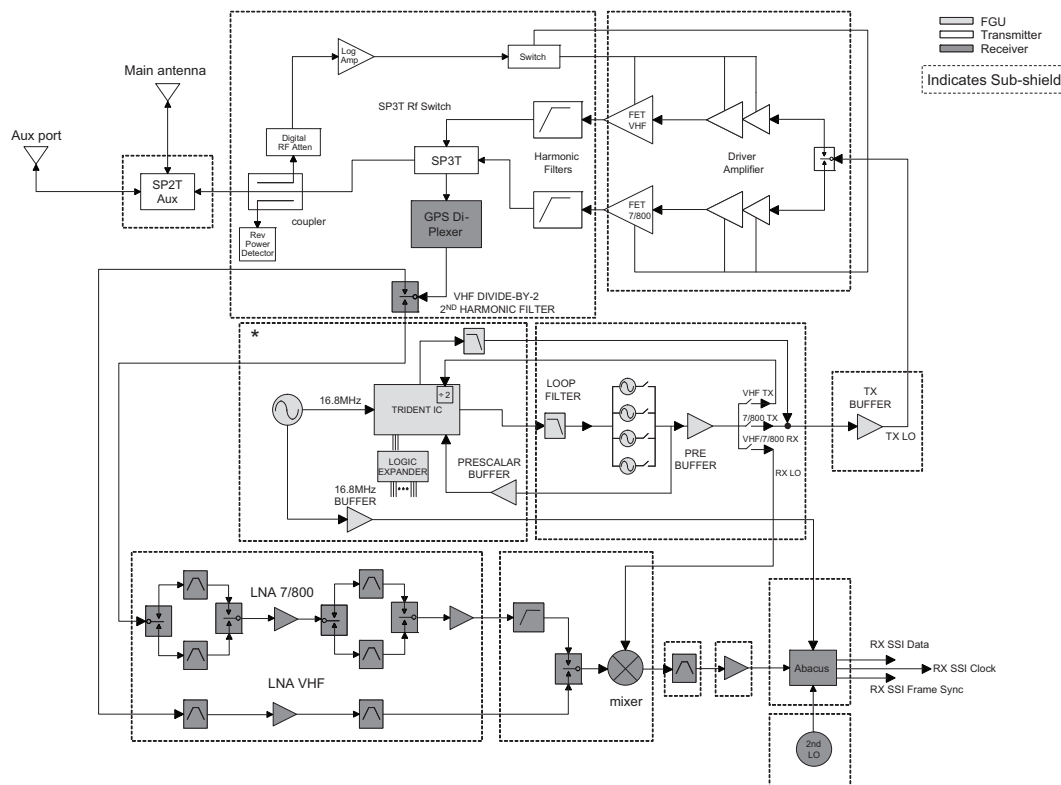


Figure 3-3. Transceiver (VHF/ 7/800) Block Diagram (Power and Control Omitted)

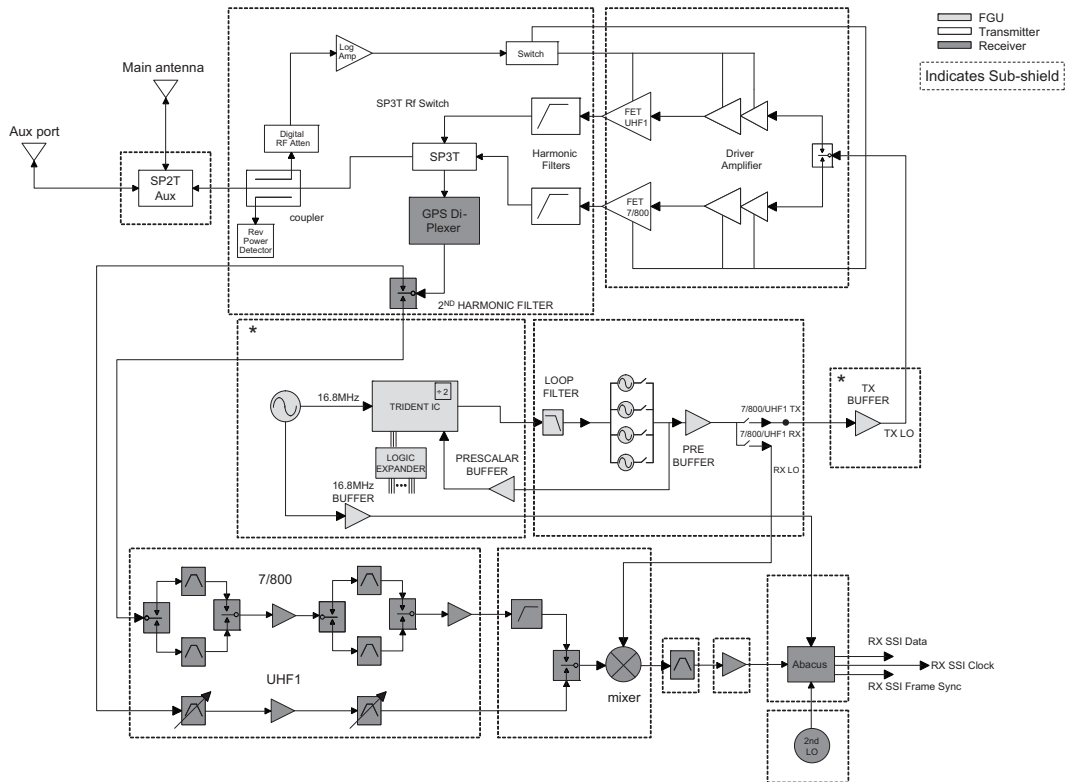


Figure 3-4. Transceiver (UHF1 / 7/800) Block Diagram (Power and Control Omitted)

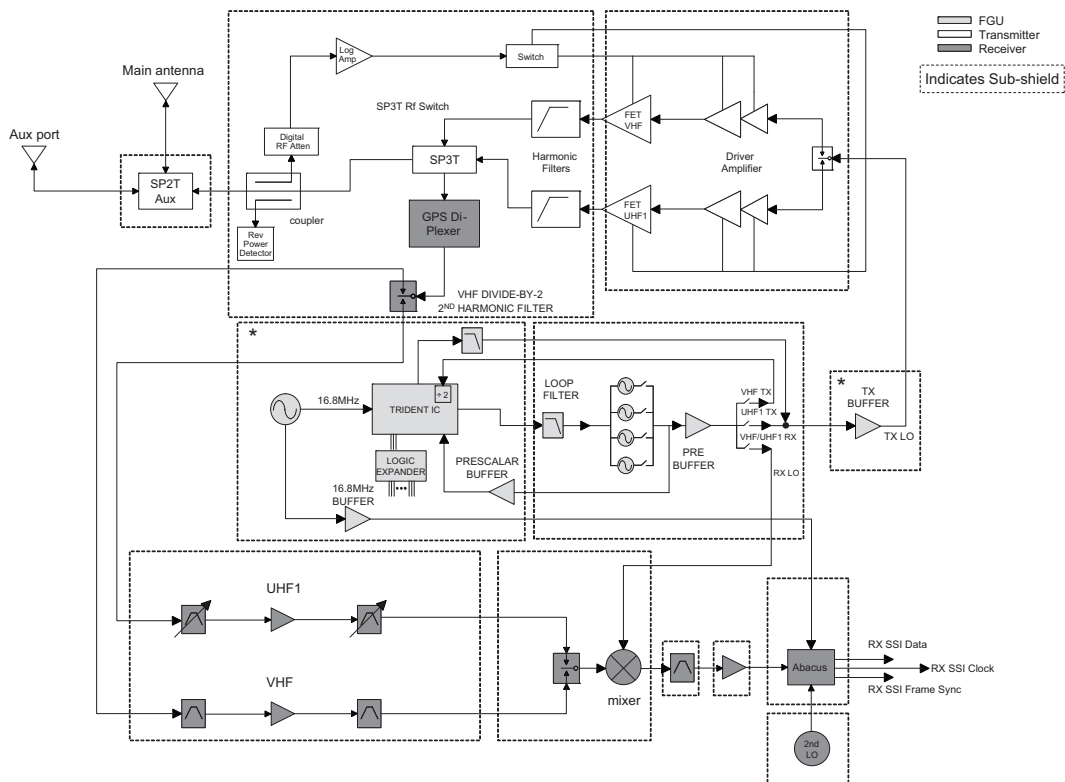


Figure 3-5. Transceiver (UHF1 / VHF) Block Diagram (Power and Control Omitted)

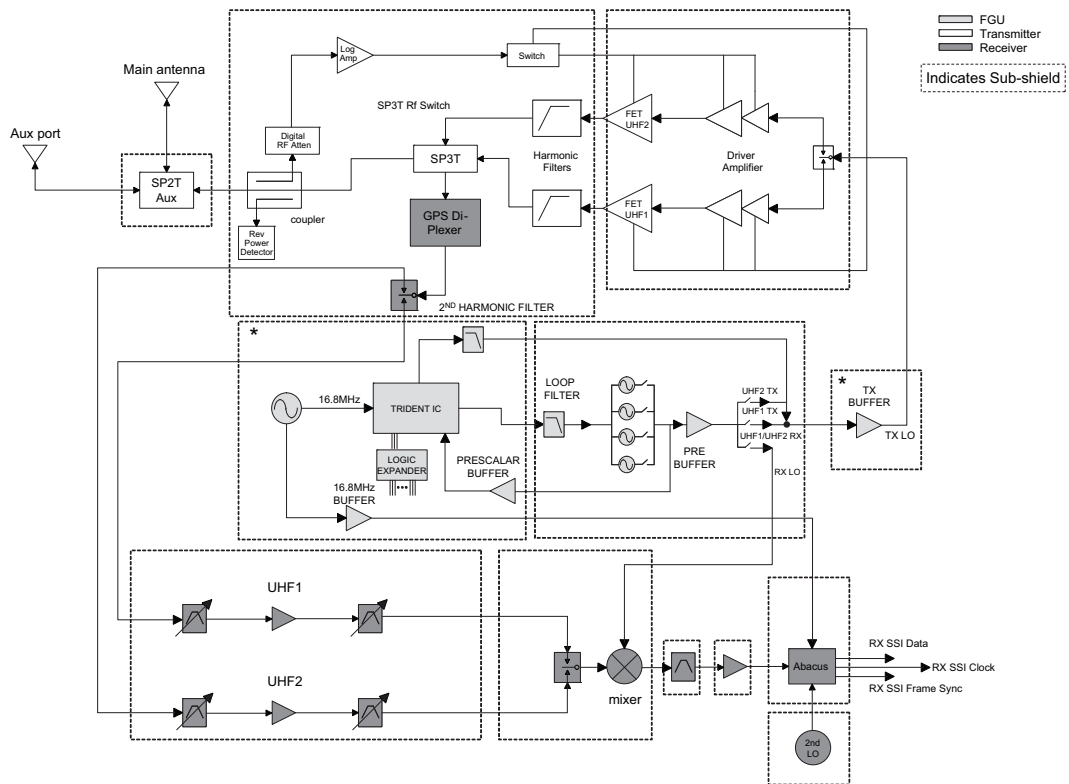


Figure 3-6. Transceiver (UHF1 / UHF2) Block Diagram (Power and Control Omitted)

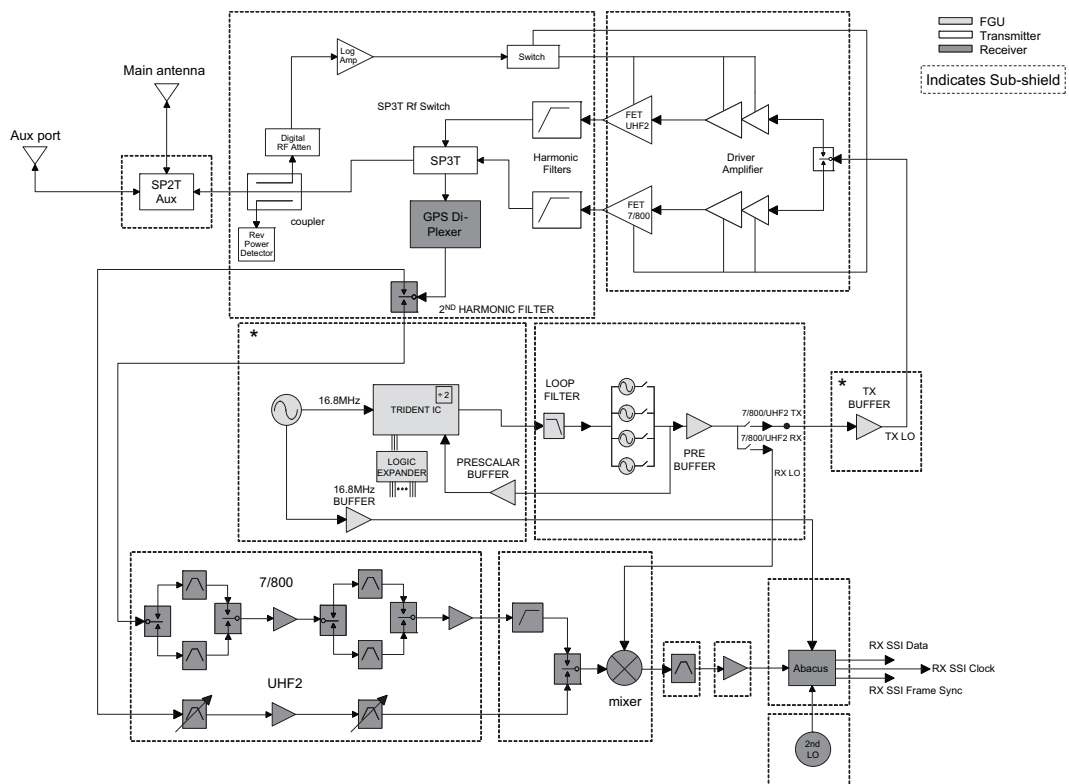


Figure 3-7. Transceiver (UHF2 / 7/800) Block Diagram (Power and Control Omitted)

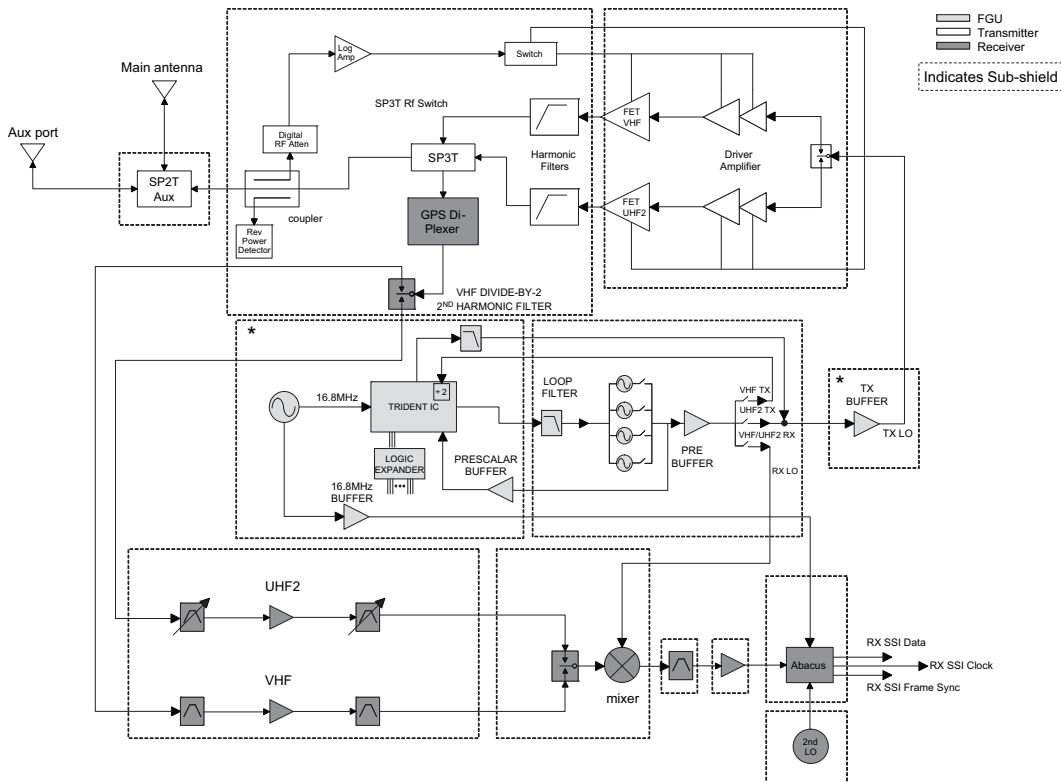


Figure 3-8. Transceiver (UHF2 / VHF) Block Diagram (Power and Control Omitted)

3.1.1 Interconnections

This section describes the various interconnections for the transceiver board.

3.1.1.1 Battery Connector M101

Battery connector M101 solders to the transceiver printed circuit board. The connector has 5 gold plated contacts that mate with the battery, two contacts for positive, two for negative and one for the Dig_Battery_Data. Signal descriptions are in [Table 3-1](#).

Table 3-1. Battery Connector J3

Pin No.	Signal	Description
1	DC_BATT	Battery positive terminal, nominally 7.5 Vdc
2	Dig_Battery_Data	Battery status, from battery to VOCON
3	Ground	Battery negative terminal, tied to PCB ground

3.1.1.2 VOCON Connector J1001

VOCON connector J1001 is a 40 pin board to board connector that connects to XCVR board connector P101. This is a digital interface carrying DC power, control, and data between the XCVR and VOCON boards.

Table 3-2 lists the connector pins, their signals, and functions. SPI refers to serial peripheral interface, which is the control bus from the microprocessor. SSI is the serial synchronous interface bus for data to and from the DSP. There is a RX SSI bus for demodulated data from the receiver and a TX SSI bus for modulation data to the transmitter.

Table 3-2. VOCON Connector J1001

Pin No.	VOCON Signal	XCVR Signal	XCVR I/O	Type	Description
1	GROUND	GROUND	–	–	–
2	EEPROM_CS	DIG_CTRL_SPI_EEPROM_PE	I	spi	SPI EEprom chip select
3	CLK_16.8MHZ	CLK_16_8MHZ	O	rf	16.8 MHz reference clock
4	GROUND	GROUND	–	–	–
5	GROUND	GROUND	–	–	–
6	VCC_1.875	DC_LIN_1_875_D	I	dc	Regulated 1.875 V
7	RF_BRD_RSTB	DIG_CTRL_RSTB	I/O	control	Reset
8	VCC_2.775	DC_LIN_2_775V	I	dc	Regulated 2.775 V
9	DMCS	DIG_CTRL_SSI_TRIGGER	I	ssi	SSI Trigger
10	F2_PARAMP	DIG_CTRL_IO49	I	control	TX Slot enable
11	RX_FSYNC	DIG_DATA_SSI_RX_FS	O	ssi	RX SSI frame sync
12	TX_INH	DIG_CTRL_TX_INHIBIT_TYPE_1	I	control	TX inhibit control for secure
13	RX_DA	DIG_DATA_SSI_RX_DOUTA	O	ssi	RX SSI data
14	DAC_CS	DIG_CTRL_SPI_DAC_PE	I	spi	SPI DAC chip select
15	RX_CLK	CLK_SSI_RX	O	ssi	RX SSI clock
16	ISET	ANA_CTRL_ISET	I	control	Mako Ramp
17	TX_FSYNC	DIG_TX_SSI_FS	I	ssi	TX SSI frame sync
18	TX_DA_CONN	DIG_DATA_TX_SSI	I	ssi	TX SSI data
19	TX_CLK	DIG_TX_SSI_CLK	I	ssi	TX SSI clock
20	GROUND	GROUND	–	–	–
21	GPS_ANT	RF_GPS	O	rf	GPS_RF signal
22	ABACUS_CS	DIG_CTRL_SPI_ABACUS_PE	I	spi	SPI Abacus chip select
23	F2_SYNCB	DIG_SYNCB	I	control	Synchronize RX SSI data

Table 3-2. VOCON Connector J1001 (Continued)

Pin No.	VOCON Signal	XCVR Signal	XCVR I/O	Type	Description
24	GROUND	GROUND	–	–	–
25	LOCK	DIG_CTRL_LOCK	O	status	FGU lock detect
26	BSTAT	DIG_BATTERY_DATA	I/O	1 wire	IMPRES Battery status
27	TRIDENT_CS	DIG_CTRL_SPI_TRIDENT_PE	I	spi	SPI Trident chip select
28	UNSW_B+	DC_FUSED_B+	O	dc	Fused B+ to VOCON
29	SPI_DSP_MISO	DIG_DATA_SPI_MISO	O	spi	SPI data out
30	UNSW_B+	DC_FUSED_B+	O	dc	Fused B+ to VOCON
31	SPI_DSP_MOSI	DIG_DATA_SPI_MOSI	I/O	spi	SPI data I/O
32	UNSW_B+	DC_FUSED_B+	O	dc	Fused B+ to VOCON
33	SPI_DSP_CLK	DIG_SPI_CLK	I	spi	SPI clock
34	UNSW_B+	DC_FUSED_B+	O	dc	Fused B+ to VOCON
35	GROUND	GROUND	–	–	–
36	UNSW_B+	DC_FUSED_B+	O	dc	Fused B+ to VOCON
37	VCC_SW_3.6	DC_SW1_3_6V	I	dc	Regulated 3.6 V
38	GROUND	GROUND	–	–	–
39	GROUND	GROUND	–	–	–
40	GROUND	GROUND	–	–	–

3.1.1.3 Antenna Port J101

Antenna port J101 is a surface-mount, miniature coaxial connector for the antenna cable.

3.1.1.4 Serial EEPROM

The electrically erasable programmable memory (EEPROM), U101, holds all of the transceiver tuning data. This allows transceivers to be tuned in the factory and installed in the field without retuning.

3.1.1.5 Power Conditioning Components

DC power-conditioning components include zener diodes, capacitors, ferrite beads, a power inductor, and the fuse. Diodes VR200 and VR101 provide over-voltage protection. Ferrite beads (designated E, etc.) and capacitors suppress electromagnetic interference from the transceiver.

The power-line filter consisting of L200, C202, and C203 suppresses digital noise from the VOCON board switching power supplies that could degrade the transmitter spectral purity.

Ground clips M103 through M106 make contact between the transceiver board ground and the radio chassis. The chassis connection is a necessary electrical reference point to complete the antenna circuit path. Shields SH1 through SH14 appear on the schematic to show their connection to ground.

3.1.2 Receiver

The RF signal is *received* at the antenna and is routed through the Auxiliary and Multi Switch (SP3T) ICs. The latter contains a switchable 15 dB attenuator that is enabled at predetermined RF power thresholds present at the antenna port. The output of the Multi-switch IC is applied to the first SPST band select switch to select the desired RF band.

- VHF or 7/800 bands (for VHF / 7/800 radios. [See Figure 3-9.](#))
- UHF1 or 7/800 bands (for UHF1 / 7/800 radios. [See Figure 3-10.](#))
- UHF1 or VHF bands (for UHF1 / VHF radios. [See Figure 3-11.](#))
- UHF1 or UHF2 bands (for UHF1 / UHF2 radios. [See Figure 3-12.](#))
- UHF2 or 7/800 bands (for UHF2 / 7/800 radios. [See Figure 3-13.](#))
- UHF2 or VHF bands (for UHF2 / VHF radios. [See Figure 3-14.](#))

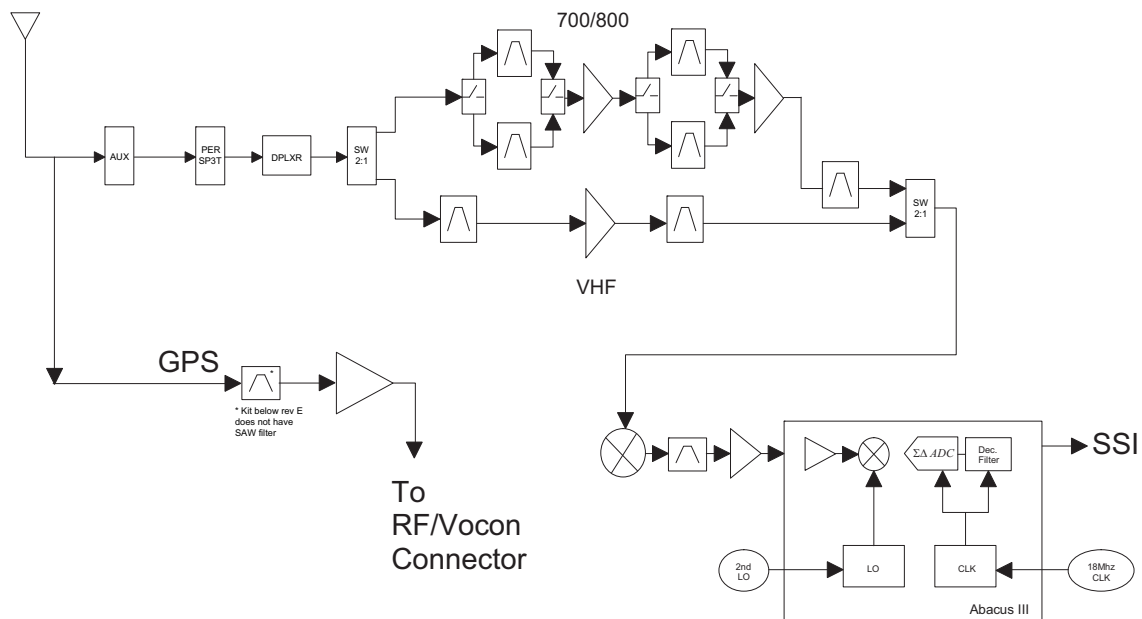


Figure 3-9. Receiver Block Diagram (VHF / 7/800)

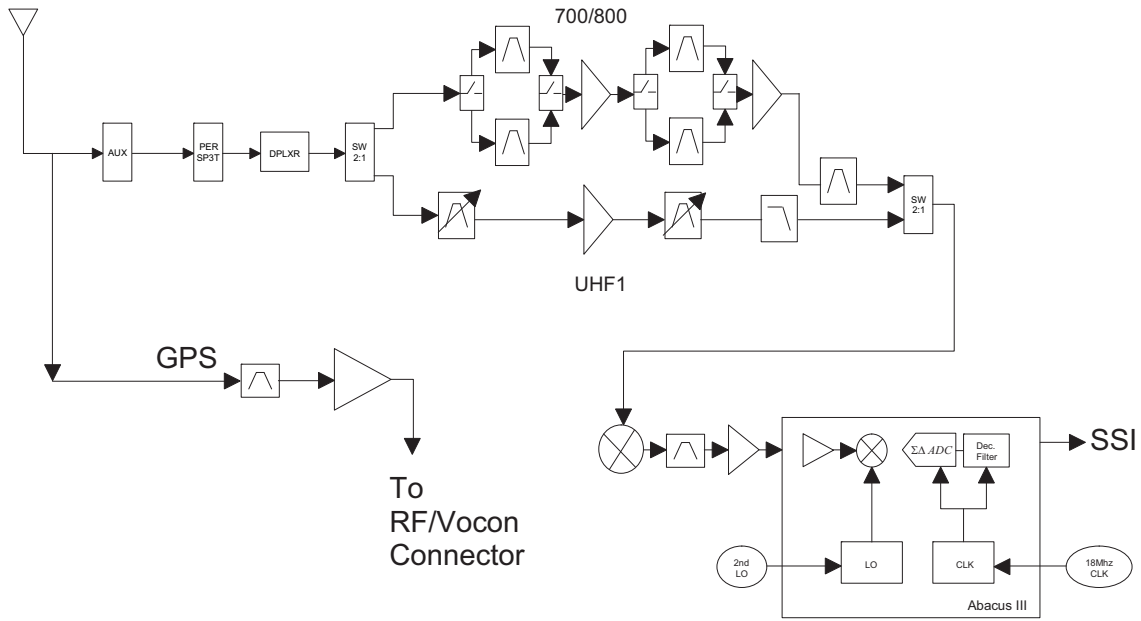


Figure 3-10. Receiver Block Diagram (UHF1 / 7/800)

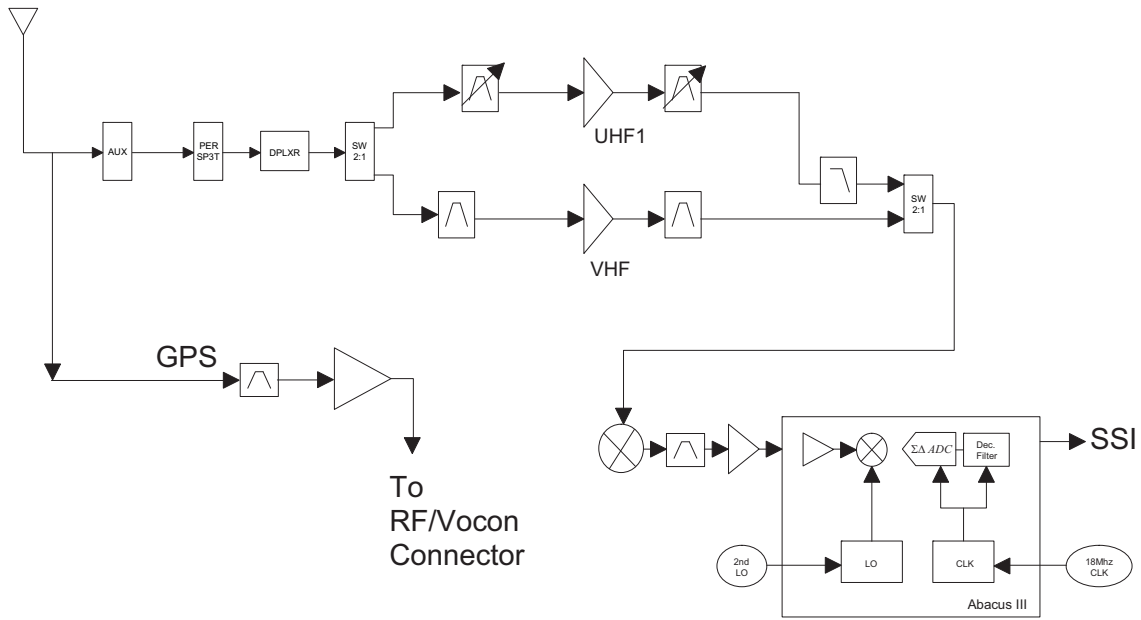


Figure 3-11. Receiver Block Diagram (UHF1 / VHF)

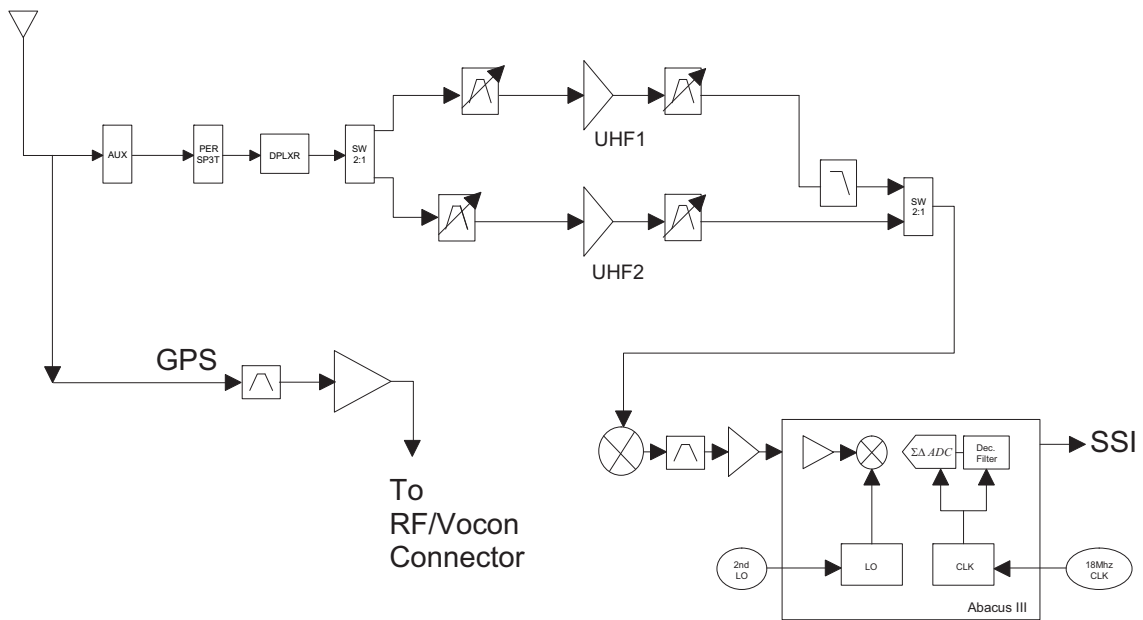


Figure 3-12. Receiver Block Diagram (UHF1 / UHF2)

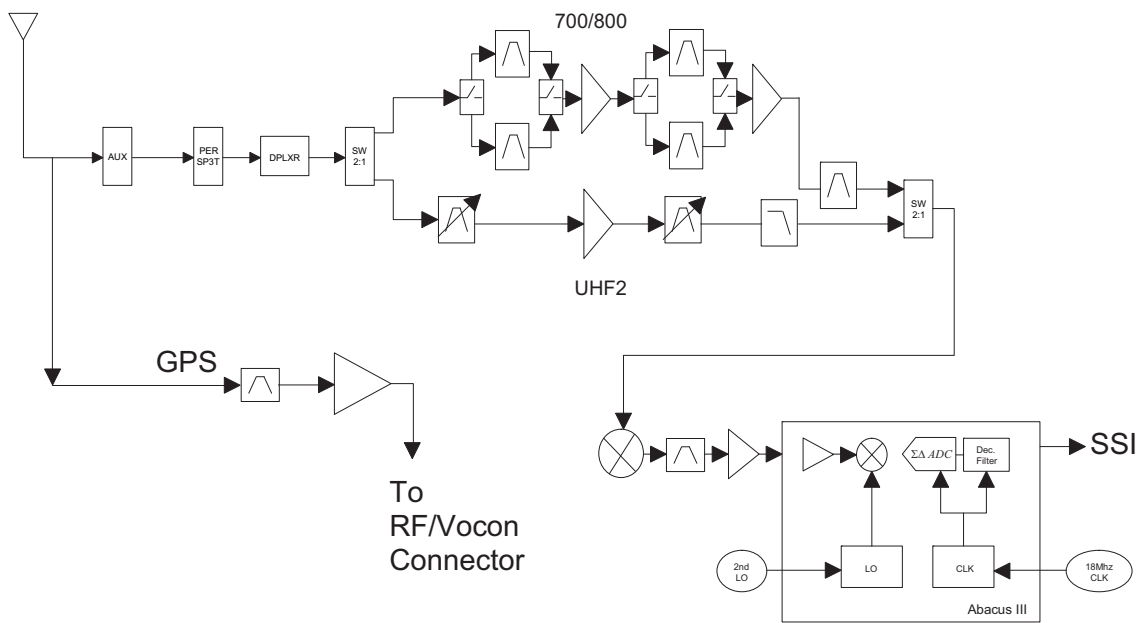


Figure 3-13. Receiver Block Diagram (UHF2 / 7/800)

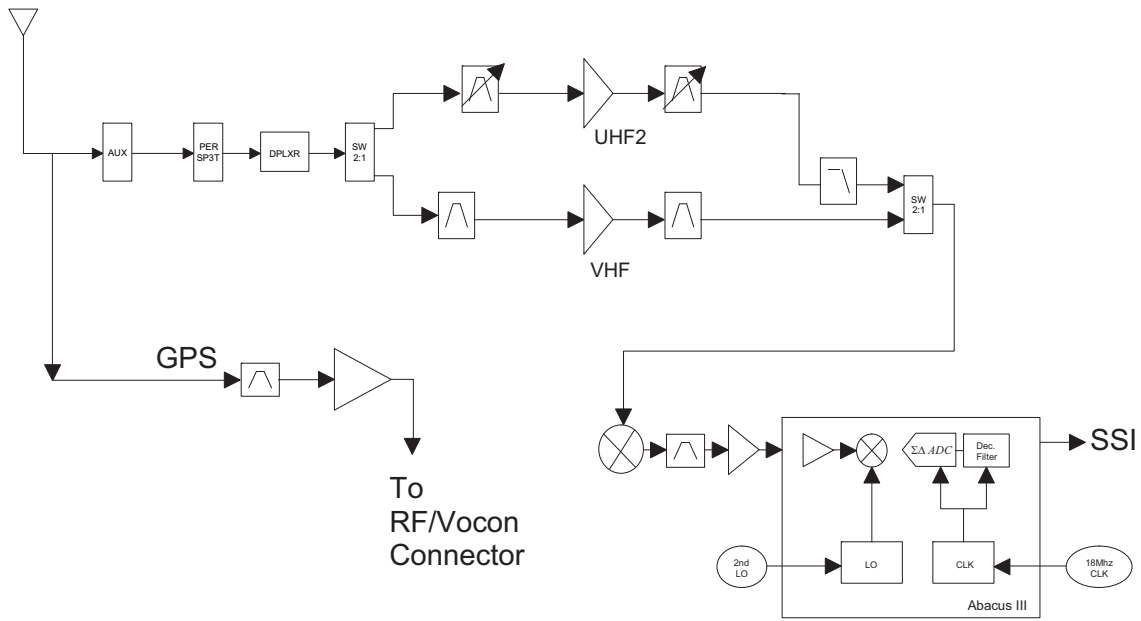


Figure 3-14. Receiver Block Diagram (UHF2 / VHF)

3.1.2.1 VHF Front-End

From the first band select switch, U1122, a VHF signal is routed to the first pre-selector filter followed by a Low Noise Amplifier (LNA) and a second pre-selector filter. Both filters are discrete and fixed designs and are used to band limit the incoming energy and suppress known spurious responses such as Image and the $\frac{1}{2}$ IF spur. The LNA active device is an NPN transistor (U302) with active bias provided by transistor pair Q302.

The output of the second pre-selector filter is applied to the RF port of the Mixer IC via a second band select switch, U501. The Mixer IC, U506, is driven by a Local Oscillator (LO) signal generated by the Trident synthesizer IC, U702, at the LO port to down-convert the RF signal to a 109.65 MHz intermediate frequency (IF). It is a passive, high linearity design with balanced inputs at the RF and IF ports and internal LO buffer. The down converted IF signal is passed through a 3-pole crystal filter, FL501, and an IF amplifier, Q503, which drive the input of the Analog to Digital Converter IC, U601.

3.1.2.2 700/800 Front-End

From the first band select switch, U1122, a 700 MHz or 800 MHz band signal is routed to a second band SPST switch, U402, which selects the 700 or the 800 band signal and routes it to the appropriate first pre-selector filter, FL401. A third band select switch, U404, selects the output of the appropriate filter and applies it to an LNA followed by a similar pre-selector filter/ band-select switch circuit. The signal is then routed to second LNA, U407, whose output is applied to a discrete image filter. Both preselector filters are Surface Acoustic Wave designs (EPCOS B4232) used to band limit the received energy and suppress known spurious responses such as Image and the $\frac{1}{2}$ IF spur. The output of the discrete image filter is applied to the RF port of the Mixer IC, U506, via a second band select switch, U501. The Mixer IC is driven by an LO signal generated by the Trident synthesizer IC, U702, and applied to the LO port to down-convert the RF signal to a 109.65 MHz intermediate frequency (IF).

The IF signal is passed through a crystal filter, FL501, and an IF amplifier, Q503, which drive the input of the Analog to Digital Converter IC, U601.

3.1.2.3 UHF1 Front-End

From the first band select switch, U1122, a UHF1 signal is routed to the first pre-selector filter followed by a Low Noise Amplifier (LNA) and a second pre-selector filter. Both filters are discrete and tunable designs and are used to band limit the incoming energy and suppress known spurious responses such as Image spur. The LNA active device is an NPN transistor (U2032) with active bias provided by transistor pair Q2022. The output of the second pre-selector filter is applied to a discrete Low Pass Filter (LPF). The output of the LPF is applied to the RF port of the Mixer IC via a second band select switch, U501. The Mixer IC, U506, is driven by a Local Oscillator (LO) signal generated by the Trident synthesizer IC, U702, at the LO port to down-convert the RF signal to a 109.65 MHz intermediate frequency (IF). It is a passive, high linearity design with balanced inputs at the RF and IF ports and internal LO buffer. The down converted IF signal is passed through a 3-pole crystal filter, FL501, and an IF amplifier, Q503, which drives the input of the Analog to Digital Converter IC, U601.

3.1.2.4 UHF2 Front-End

From the first band select switch, U1122, a UHF2 signal is routed to the first pre-selector filter followed by a Low Noise Amplifier (LNA) and a second pre-selector filter. Both filters are discrete and tunable designs and are used to band limit the incoming energy and suppress known spurious responses such as Image spur. The LNA active device is an NPN transistor (U1932) with active bias provided by transistor pair Q1922. The output of the second pre-selector filter is applied to a discrete Low Pass Filter (LPF). The output of the LPF is applied to the RF port of the Mixer IC via a second band select switch, U501. The Mixer IC, U506, is driven by a Local Oscillator (LO) signal generated by the Trident synthesizer IC, U702, at the LO port to down-convert the RF signal to a 109.65 MHz intermediate frequency (IF). It is a passive, high linearity design with balanced inputs at the RF and IF ports and internal LO buffer. The down converted IF signal is passed through a 3-pole crystal filter, FL501, and an IF amplifier, Q503, which drives the input of the Analog to Digital Converter IC, U601.

3.1.2.5 Analog To Digital Converter

The ADC used in APX is the AD9864 IC, U601, from Analog Devices. The IC front end down converts the first IF to a second IF, a 2.25 MHz signal, by mixing a 107.4 MHz LO signal generated by an integrated synthesizer and external VCO with active device U602 and resonator L604. The second IF is sampled at 18 MHz, a signal generated by an integrated clock synthesizer and VCO device with external resonator L605.

The sampled signal is decimated by a factor of 900 to 20 kHz and converted to SSI format at the ADC's output. The Serial Synchronous Interface (SSI) serial data waveform is composed of a 16 bit in-phase word (I) followed by a 16 bit Quadrature word (Q). A 20 kHz Frame Synch and 1.2MHz clock waveform are used to synchronize the SSI IQ data transfer to the Digital Signal Processor IC (OMAP) for post-processing and demodulation. The clock frequency is adjustable and is selected automatically by software to prevent self quieting.

3.1.3 Transmitter

The transmitter takes modulated RF from the FGU and amplifies it to the rated output power to produce the modulated carrier at the antenna.

NOTE: Refer to [Table 8-1, "Transceiver Schematics and Board Overlays," on page 8-1](#) for a listing of transmitter-related schematics that will aid in the following discussion.

The transmitter ([Figure 3-15 on page 3-15](#)) consists of two LDMOS high power transistors, one for the VHF band and one for the 7/800 MHz band. The same topology applied for the UHF1/7/800, UHF2/7/800, UHF1/VHF, UHF1/UHF2 and UHF2/VHF radio where two LDMOS high power transistors are used to cover each band. This is depicted by [Figure 3-16 on page 3-15](#) to [Figure 3-20 on page 3-17](#). The high power transistor is driven by an RF driver IC that receives its input signal from the voltage controlled oscillator. Transmitter power is controlled by a discrete power control circuit that senses the output of a directional coupler and adjusts PA control voltage to maintain the correct power level. The TX signals pass through their respective harmonic filters, a TX/RX switch, and embedded directional coupler, a RF switch and then the antenna.

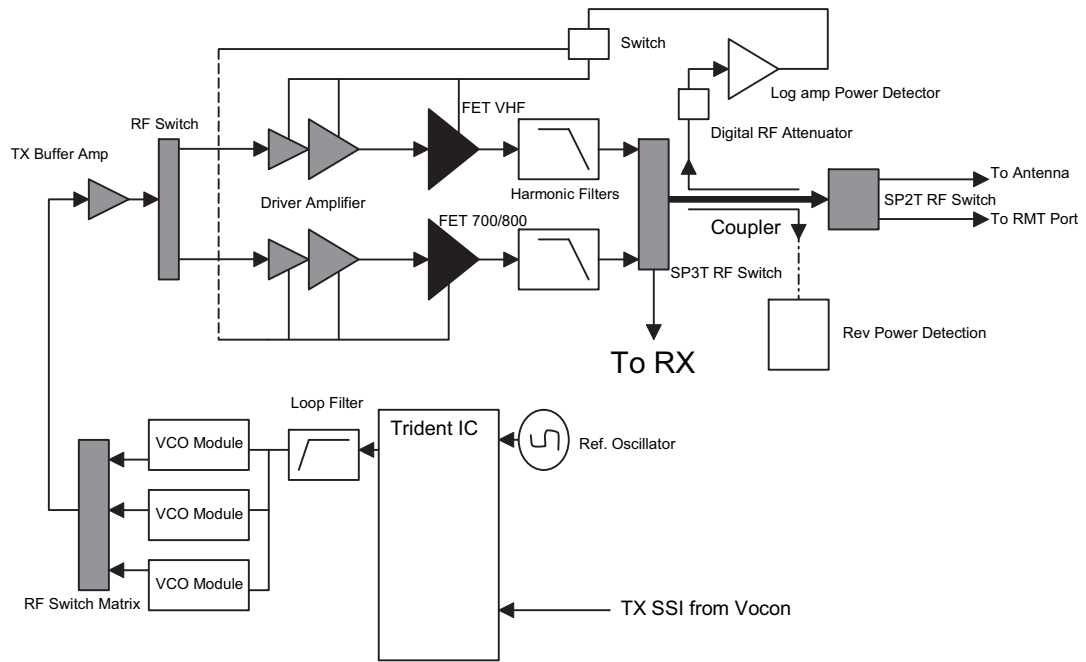


Figure 3-15. Transmitter Block Diagram (VHF / 7/800)

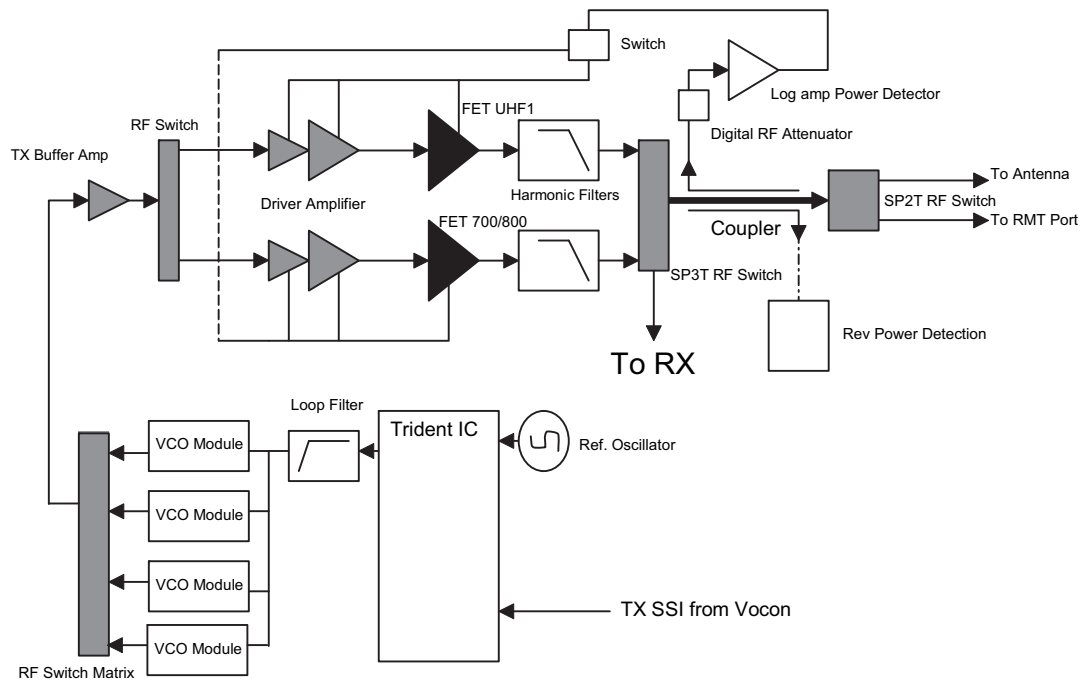


Figure 3-16. Transmitter Block Diagram (UHF1 / 7/800)

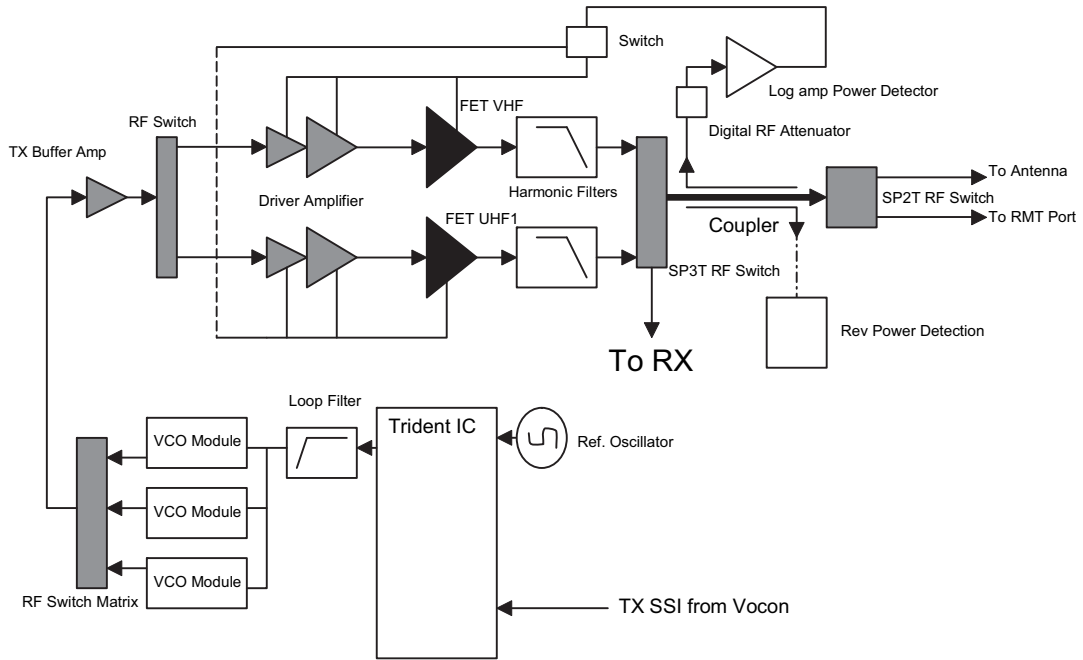


Figure 3-17. Transmitter Block Diagram (UHF1 / VHF)

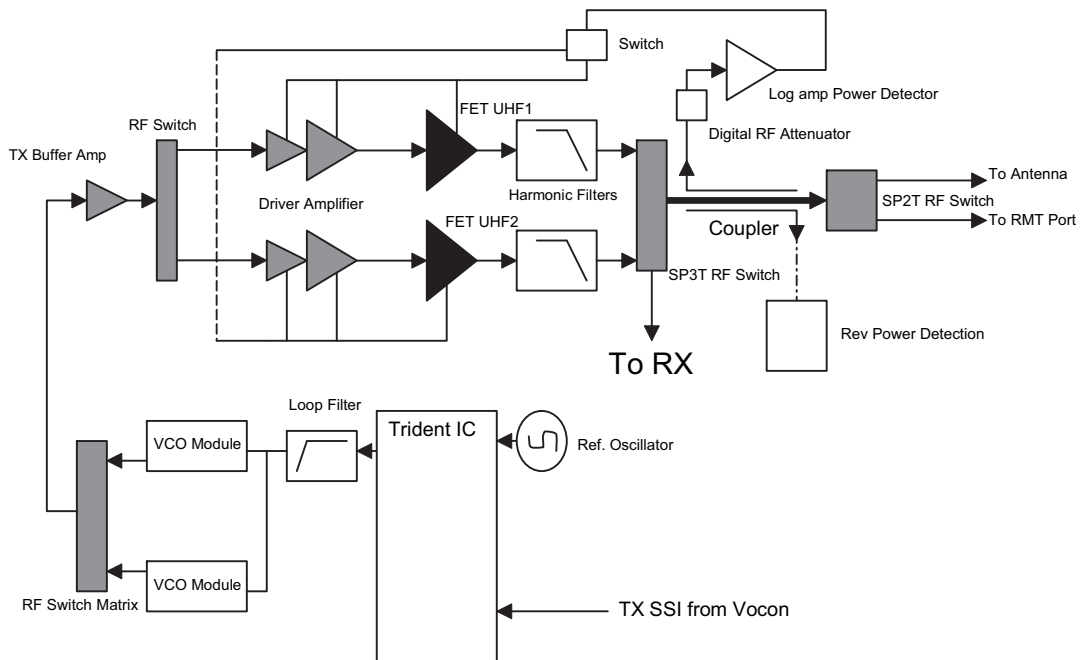


Figure 3-18. Transmitter Block Diagram (UHF1 / UHF2)

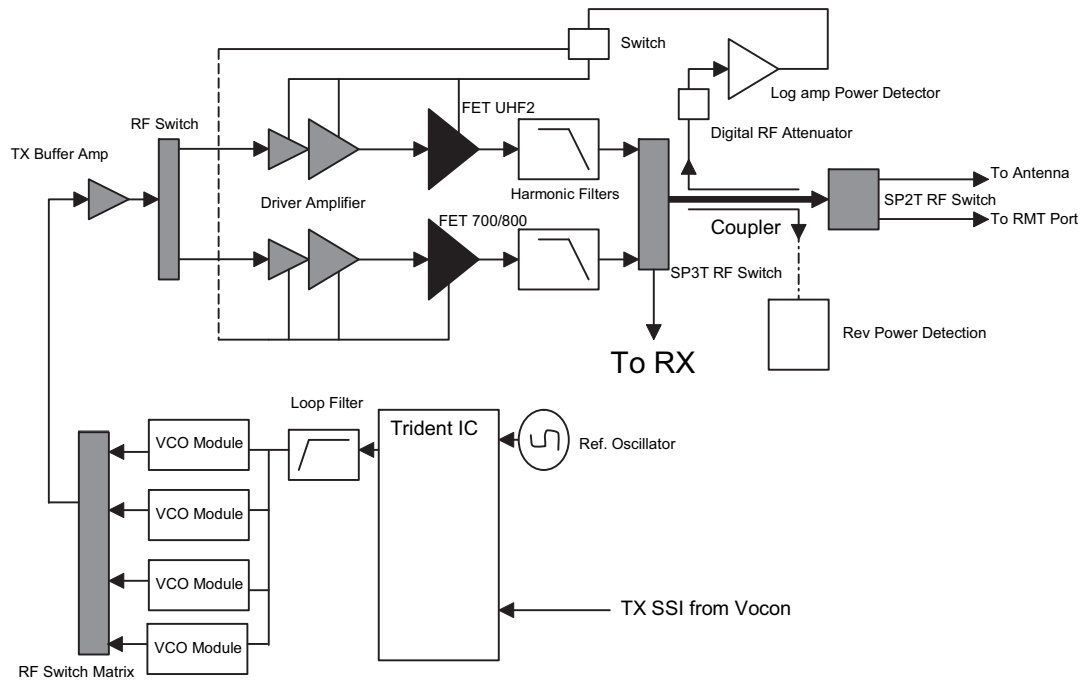


Figure 3-19. Transmitter Block Diagram (UHF2 / 7/800)

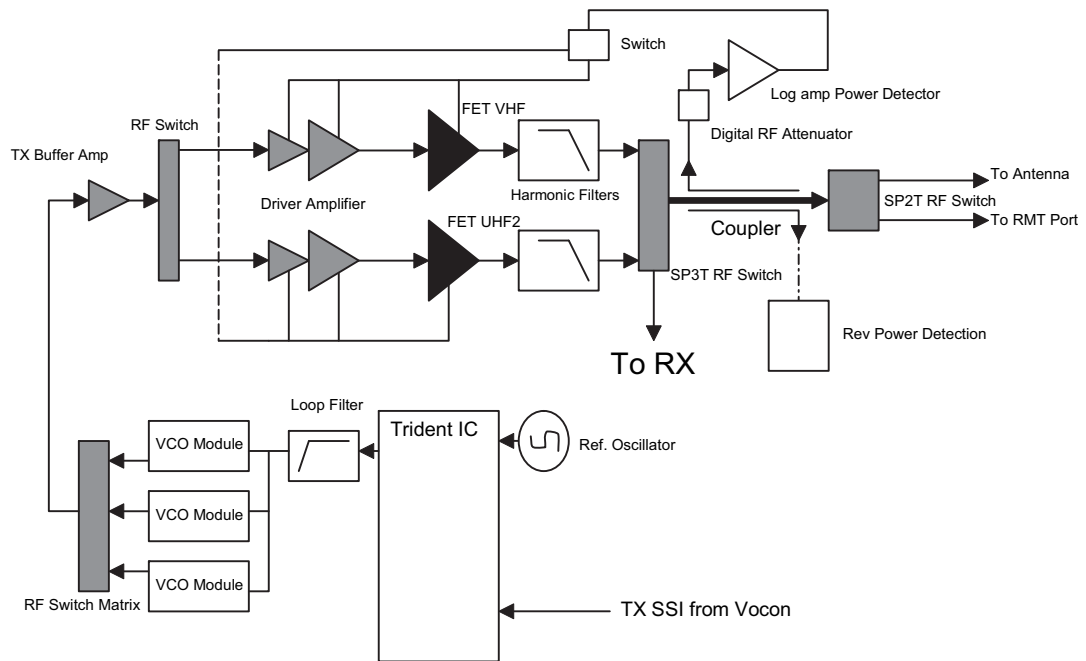


Figure 3-20. Transmitter Block Diagram (UHF2 / VHF)

3.1.3.1 Driver Amplifier

The driver amplifier IC (VHF/UHF1/UHF2/700–800MHz: U1002, U902, U1500 and U1602) contains two LDMOS FET amplifier stages and two internal resistor bias networks. Pin 16 is the RF input. Modulated RF from the FGU, at a level of +3 dBm \pm 2 dB, is coupled through a blocking capacitor to the gate of FET-1. An LC inter-stage matching network connects the first stage output VD1 to the second stage input G2. The RF output from the drain of FET-2 is pin 6 (RFOUT1). Gain control is provided by a voltage applied to pin 1 (VCNTRL). Typical output power is about +27 dBm (500 mW) with VCNTRL at 5.5 V.

VHF: L901 and C904 are the components for the inter-stage matching network. Components C907, C910, L904, C913, C914, L905 and C916 provide the match to the final device Q901. C907 also serves as a DC block.

UHF1: L1601 and C1604 is the inter-stage matching network of the driver amplifier IC, C1607, C1610, L1604, C1613, C1614, L1605 and C1616 serves as matching circuit of the driver IC to the final device of Q1601. Capacitor C1607 also works as DC block to the circuit.

UHF2: L1501 and C1505 is the inter-stage matching network of the driver amplifier IC, U1500, L1502, C1508, C1509, L1503, C1510, L1504 and C1511 serves as matching circuit of the driver IC to the final device of Q1500. Capacitor C1509 also works as DC block to the circuit.

700–800 MHz: L1002, C1002 and C1004 are the inter-stage matching network. Components C1013 and C1023 match the output impedance to the input of the final device (Q1001); capacitor C1013 also serves as the DC block.

3.1.3.2 Power Amplifier Transistor

The power amplifier transistors, Q1013 and Q901 and Q1601 are LDMOS FETs housed in a high-power, surface-mount, ring package. To prevent thermal damage, it is essential that the heat sink of the power module be held in place against the radio chassis. All FETs are matched using a lowpass topology. Drain bias is applied through L1007 for the 700–800 MHz, L906 for the VHF, L1606 for UHF1 and L1505 for UHF2. Gain is dynamically controlled by adjusting the gate bias. The gate is insulated from the drain and source so that gate bias current is essentially zero.

VHF: The output match consists of elements L907, C920, C921, L908, C922, L909, C924, L910, C923 and C928. Gate bias is applied through R903, R904, R905, C915 and C917.

UHF1: C1620, C1621, C1622, L1609, C1624, L1610, C1623, C1628 and C1625 are the elements of the output matching network apart from a transmission-line structure. The Gate biasing is applied through a biasing network consist of R1603, R1604, R1605, C1615 and C1617.

UHF2: C1516, C1527, C1517, C1518, C1519, L1507, C1520 and C1521 are the elements of the output matching network apart from a transmission-line structure. The Gate biasing is applied through a biasing network consist of R1500, R1502, R1503, R1504, C1522 and C1523.

700–800 MHz: The input impedance-matching network is C1013 and C1023. A transmission-line structure and C1019, C1020, L009 and C1021 form the output-matching network. Gate bias applied through R1003, R1004, C1015 and R1005.

3.1.3.3 Directional Coupler

A directional coupler senses the transmitter forward and reverse power as control signals in the transmitter's automatic level control (ALC) loop. Isolated ports are terminated with external resistors.

VHF/UHF1/UHF2/700–800 MHz: The directional coupler consists of three embedded transmission lines.

3.1.3.4 Harmonic Filter

The harmonic filter is a high-power, low-loss, low-pass filter. Its purpose is to suppress transmitter harmonics. The filter also improves receiver out-of-band rejection. Shield SH13 must be in place to achieve the required stop band rejection.

VHF: The harmonic filter uses discrete components. The pass band is up to 190 MHz, and the stop band is above 260 MHz.

UHF1: The harmonic filter apply discrete components as the circuit line up. The pass band is up to 520 MHz while the stop band is above 1200 MHz.

UHF2: The harmonic filter uses both discrete components and transmission lines. The pass band is up to 640 MHz, and the stop band is above 840 MHz.

700–800 MHz: The harmonic filter uses both discrete components and transmission lines. The pass band is up to 870 MHz, and the stop band is above 1500 MHz.

3.1.3.5 Antenna Switch

NOTE: Refer to [Table 8-1, “Transceiver Schematics and Board Overlays,”](#) on page 8-1 for a listing of schematics that will aid in the following discussion.

The antenna switch consists of a single pole triple-throw IC designated U1102. The IC is connected to the output of the two harmonic filters and it is connected to the receiver. The output of the switch is connected to the directional coupled via the inductor L1108. Control lines V1_V2 and V3 control the routing of the signal paths. During Rx operation, V3 is set high and V1_V2 is low.

Tx Operation:

- VHF / 700–800 MHz:
VHF: V3 is set Low and V1_V2 is set High
7/800: V3 and V1_V2 are set High
- UHF1 / 700–800 MHz:
UHF1: V3 is set Low and V1_V2 is set High
7/800: V3 and V1_V2 are set High
- UHF1 / VHF:
UHF1: V3 and V1_V2 are set High
VHF: V3 is set Low and V1_V2 is set High
- UHF1 / UHF2:
UHF1: V3 is set Low and V1_V2 are set High
UHF2: V3 is High and V1_V2 are set High
- UHF2 / 700–800 MHz:
UHF2: V3 is set Low and V1_V2 is set High
7/800: V3 and V1_V2 are set High
- UHF2 / VHF:
UHF2: V3 and V1_V2 are set High
VHF: V3 is set Low and V1_V2 is set High

There is a second IC designated U1111 at the output of the radio. This switch routes RF power to the main antenna or to the accessory GCAII connector on the side of the radio. This switch is controlled by control line DIG_CNTRL_RMT which connects to pin 13 of the IC. When this signal level is high, the power is routed to the antenna and when it is low, the power is routed to the accessory connector.

3.1.3.6 Reverse Power Protection

The radio, while in receive mode is constantly monitoring the input power from the antenna. This power is sensed by the directional coupler and channeled into an RF detector U1106. The matching network between the coupler and the detector consists of R1107, L1102, C1105 and C1107. Once the input RF level exceeds a certain limit the detector trips a logic circuit then enables attenuation to protect the RF front end. This serves as to protect the front end from large signal damage.

3.1.3.7 Transmitter Power Control

In TX mode, the transmitter Automatic Level Control (ALC) section enables the transmitter and controls TX power in all modes. Power control is based on a unique dual control loop approach which utilizes voltage control in one loop and current control in the other. The voltage control loop is normally used in all transmit modes. The only time the current control loop controls TX power is during the end of a TX slot in TDMA (F2) mode in the event transmitter saturation is detected. Several other functions included in the TX ALC section of the radio are RX/TX switching, thermal cutback of power, current cutback of power, and reverse power detection with a means to disable the receiver in the event of high reverse power at the antenna port.

3.1.3.7.1 Voltage Control Mode

The heart of the voltage control loop is a logarithmic amplifier based power control IC, U1105. Quad DAC, U1125, receives the power tuning values via the SPI bus and converts them into a voltage at "VOUTB." Resistors, R1121 and R1122, form a voltage divider to set the full-scale value of the DAC, in this case approximately 1.4V. This power set voltage is then fed to the power control IC through the current cutback op amp, U1130, and then into a lesser-of-two voltage decision circuit, consisting of U1126 and U1127. This circuit, used exclusively in voltage control mode, provides the important function of combining the MAKO ramp output with the DAC power set voltage to permit power leveling since the MAKO DAC max amplitude cannot be controlled during TDMA mode. In all other TX modes, the MAKO output is a fixed voltage, approximately 1.5V, which is always higher than the DAC control voltage. The lesser-of-two circuit will then select the smaller input, the set voltage from U1125, resulting in immediate TX turn on in analog or ASTRO mode. IN TDMA mode, the MAKO line is a piecewise linear ramp whose timing is in accordance with F2 requirements. At $t = 0$, the ramp line is smaller than the TX set voltage so the MAKO ramp will control the TX power level, resulting in a slower ramping up of the TX power. This continues until the MAKO ramp output reaches the level of the power tuning DAC (which is always lower than the MAKO ramp maximum) which causes control of TX power to be turned over to the power tuning DAC.

The output of the selector circuit passes through a 2nd order low pass filter (U1142) and then to the log amp, U1105. The low pass filter performs the dual function of improving transient ACPR by transforming a linear ramp with corners into a smooth second order waveform and by acting as a reconstruction filter for the DAC. The log amp converts RF power fed back from the TX PA into a current which is summed with the current from the conversion of the setpoint voltage from DAC U1125. Any imbalance between the RF input level and the level corresponding to the setpoint voltage is corrected at the VAPC output of the log amp which in turn drives the control voltage input of the RFPA. The setpoint voltage effectively nulls the error in the loop caused by changes in the RF level fed back to the log amp. RF from the RFPA is coupled through a directional coupler embedded in the PC board and passed through a LC equalizer and then to digital attenuator, U1112, which is used to implement thermal cutback in the event of an over-temperature condition.

Current protection and limiting in voltage control mode is provided by cascaded difference amplifiers, U1129 and U1130. A fixed threshold is provided by voltage divider, R1169 and R1170. SPDT switch, U1144, changes the current limit threshold based on the type of battery present. This threshold is based on the conversion characteristic of the current shunt monitor circuit of U1101. The output of the current shunt monitor is fed to the first stage of the difference amplifier. The setpoint voltage for the log amp is fed through the second stage of the difference amplifier. When the current shunt monitor voltage exceeds the fixed threshold, the first stage produces an output greater than 0V. Once the output of the first stage (U1129) is greater than zero, this value is subtracted from the setpoint voltage to the log amp in the second stage (U1130), resulting in a progressive cutback of power in the event PA current continues to climb above the threshold.

3.1.3.7.2 Thermal Cutback

Thermal cutback works only in voltage control mode, which is the primary mode of TX power control. Temperature is sensed by IC U1103 and is located next to both RFPA finals. Comparators, U1113 and U1114, establish two temperature trip points. The combined logic of the comparators and logic gate, U1121, together with the truth table of the digital attenuator IC, U1112, determine the amount of attenuation of the RF feedback to the log amp. Rated TX power is achieved with the attenuator at its maximum attenuation of 7 dB. The first temperature threshold will subtract 3 dB of TX power and the next (highest) trip point an additional 3 dB for 6 dB total.

3.1.3.7.3 Current Control Mode

In TDMA mode, excessive transient adjacent channel splatter caused by the RFPA, when it is under a greater degree of compression than is expected at nominal supply voltage, is mitigated through a system of saturation detection and switching of the TX power control mode from the voltage control loop to the current control loop. Comparator U1131 compares the log amp output in voltage control mode to a threshold voltage from DAC "C," which sets the threshold for handover to current control mode and establishes the upper supply rail for the output of current loop integrator, U1104. This threshold is tuned in the factory to correspond to transmitter rated power which means that the threshold for handover occurs at a level corresponding to rated power minus 6% (set by divider R1162 and R1163). When PA saturation exceeds this threshold and the MAKO T/R control signal (DIG_GPIO49) and DIG_DMCS combine logically to signal the end of the data portion of the TX slot, D-flip flop U1132 latches which in turn switches (via U1133 SPDT switch) the output of the current loop integrator, U1104, to the PA through SPDT switch, U1145, which sends the control voltage to either the VHF, 700–800 MHz, UHF1 or UHF2 band PA.

Integrator, U1104, acts as a PI (Proportional Integral) controller in current mode. Current feedback from the PA is obtained through current shunt resistor R1103 and sent to the current shunt monitor/current to voltage converter, U1101. U1101 has a known gain characteristic for the current-to-voltage conversion. The MAKO ramp is passed through a RC low pass filter for smoothing and on to the current control integrator where it is proportioned with the voltage output of the current shunt monitor. The integrator supply voltage comes from DAC "C" of the Quad DAC, U1125. By way of tuning the DAC "C" value to match TX rated (tuned) power, this approach fixes the upper limit of the control voltage in current control mode to correspond to the tuned power level, further reducing excess adjacent channel splatter.

3.1.3.7.4 PA Offset, Control Voltage Gain Scaling

An offset voltage is applied to the control voltage at a summing junction made up of R1174 and R1154 as a means of further improving transient adjacent channel splatter in the VHF band by pre-biasing the PA. The output of DAC "A" is summed with either the output of the log amp or the integrator through R1174.

The value for DAC "A" has been established and fixed in the firmware. The output of SPDT switch, U1145, is sent to a non-inverting, gain-scaling amplifier, U901 (VHF) or U1001 (700–800 MHz) or U1601 (UHF1) or U1501(UHF2) and then to the PA driver and final.

3.1.4 Frequency Generation Unit (FGU)

The frequency-generation function is performed by several ICs; multiple voltage-controlled oscillators (VCOs); and associated circuitry. The reference oscillator provides a frequency standard to the Trident IC, which controls the VCOs via the port expander. There are also buffers that amplify the VCO signal to the correct level for the next stage. [Figure 3-21](#) below shows a block diagram of the FGU Section.

VHF: Two VCOs are employed: one to generate the first RX LO and the other to generate the transmit injection signals.

UHF1/UHF2: Two VCOs generate the first Rx LO and two VCOs generate the transmit-injection signals.

700–800 MHz: Two VCOs generate the first RX LO and three VCOs generate the transmit-injection signals.

NOTE: Refer to [Table 8-1, “Transceiver Schematics and Board Overlays,”](#) on page 8-1 for a listing of FGU-related schematics that will aid in the following discussion.

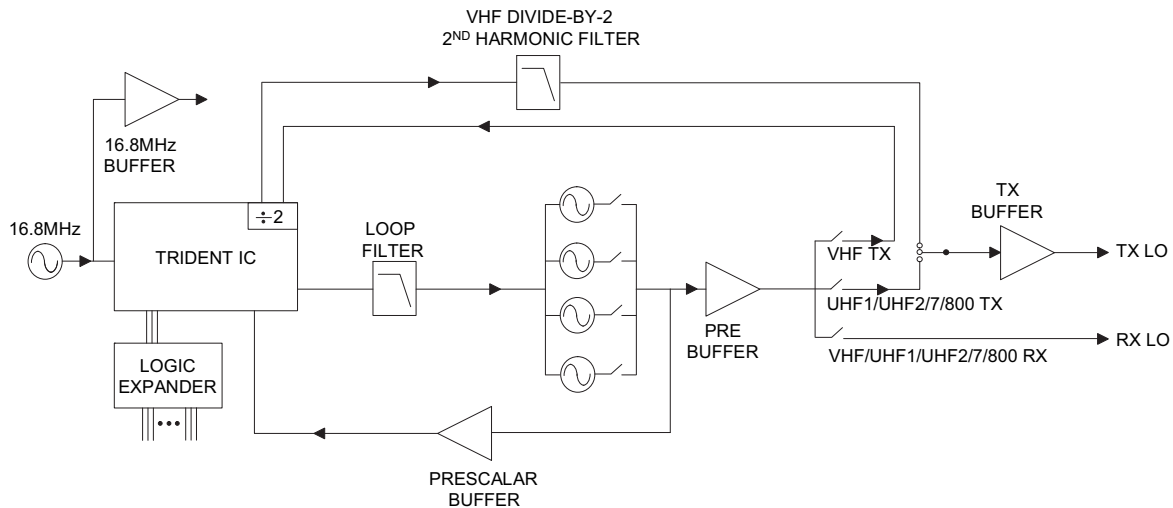


Figure 3-21. Synthesizer Block Diagram

3.1.4.1 Reference Oscillator Y701

The radio's frequency stability and accuracy is derived from the Voltage-Controlled Temperature-Compensated Crystal Oscillator (VCTCXO), Y701. This 16.8 MHz oscillator is controlled by the voltage from the AUX_DAC pin of the Trident IC, U702, that can be programmed through a serial peripheral interface (SPI). The oscillator output at pin 3 is coupled through capacitor C736 to the Trident IC reference oscillator input. This reference is then passed through an internal buffer and is then coupled to the external BJT buffer (comprised of U746 and supporting circuitry) via C739. These buffers provide isolation for the 16.8 MHz output to the VOCON board and ABACUS IC. Components L753 and C754 form a low-pass filter to reduce the harmonics of the 16.8 MHz.

3.1.4.2 Trident IC U702

The Trident IC, U702, is a multiple protocol, multiple band transceiver Motorola-proprietary, CMOS IC, with built-in dual-port modulation. The Trident IC incorporates frequency division and comparison circuitry to keep the VCO signals stable. The Trident IC is controlled by the MCU through a serial bus. All of the synthesizer circuitry is enclosed in rigid metal cans on the transceiver board to reduce interference effects. Separate power supply inputs are used for the various functional blocks on the IC. Inductors L727, L733, L735, L738 and L741 provide isolation between the IC and the different power supplies. Host control is through a four-wire, smart SPI interface (pins D8, D9, D10 and C11). Some of the Trident IC functions include frequency synthesis, reference clock generation, modulation control, voltage multiplication and filtering, near-integer spurious reduction, RF divide-by-two and auxiliary SPI.

3.1.4.3 Synthesizer

Frequency synthesis functions include a low band and high band mode prescaler, a phase detector, a programmable loop divider and its control logic, a charge pump, and a lock detector output. Fractional-N synthesizer principles of operation are covered in detail in the manufacturers' literature. No similar discussion will be attempted here.

3.1.4.4 Clocks

U702, pin K5 (REF_IN), is the 16.8 MHz reference oscillator input from the VCTCXO (Y701).

3.1.4.5 Modulation

To support many voice, data, and signaling protocols, APX 7000/ APX 7000XE radios must modulate the transmitter carrier frequency over a wide audio frequency range, from less than 10 Hz up to more than 6 kHz. The Trident IC supports audio frequencies down to zero Hz by using dual-port modulation. The digital audio signal at pin F11 (TXD) is transferred to the Trident baseband circuitry via the TX Serial Synchronous Interface (SSI) bus. The data is then internally divided into high and low-frequency components, which modify both the synthesizer dividers and the external VCOs through a signal on HP_MOD_OUT (pin L9). The DSP scaling is adjusted to achieve a flat modulation frequency response during the transmitter modulation balance calibration.

3.1.4.6 Voltage Multiplier and Superfilter

Pins H10 (VMULT2) and H11 (VMULT1) together with diode arrays D722 and D723 and their associated capacitors form the voltage multiplier. The voltage multiplier generates 10.625 Vdc to supply the phase detector and charge-pump output stage at pin F1 (MN_CP_VCC).

The superfilter is an active filter that provides a low-noise supply for the VCOs. The input is a regulated 5 Vdc from DC_LIN_5V at pin K4 (SF_SPLY). The output is a superfiltered voltage at pin J5 (SF_OUT).

3.1.4.7 Loop Filter

The components connected to pins G3 (MN_CP) and G2 (MN_ADAPT_CP) form a 4th-order, RC low-pass filter. Current from the charge-pump output, MN_CP, is transformed to voltage ANA_VTUNE, which modulates the VCOs. Extra current is supplied by MN_ADAPT_CP for rapid phase-lock acquisition during frequency changes. The lock detector output pin B4 (TEST1_LCKDET) goes to a logic "1" to indicate when the phase-lock loop is in lock.

3.1.4.8 Port Expander

U703 is a port expander that is controlled by the auxiliary SPI of the Trident IC; pins A7 (ASPI_DATA), B7 (ASPI_CLK) and C6 (ACE1_GPO7). Data sent on the main SPI bus with a specific header, tells the Trident IC to pass the data (via the auxiliary SPI lines) onto the port expander SPI lines, pins 32 (SCLK), 33 (DIN) and 34 (CS). The port expander then translates this auxiliary SPI data and turns on and off the select lines for the various VCOs, switches (that select the correct RF path for either VHF, UHF or 7/800) and other logic external to the FGU. [Table 3-3](#) below shows the logic settings for the port expander for the various bands.

Table 3-3. Port Expander Pin Settings

VHF TX	PIN NO.	1	2	3	4	5	6	7	8	9	10	12	13	14	15
	LOGIC	0	0	0	0	0	0	H	H	0	0	0	0	0	0
	PIN NO.	16	17	18	19	21	22	23	24	25	26	27	28	29	30
	LOGIC	0	H	0	0	0	H	H	H	0	H	0	0	0	0
VHF RX	PIN NO.	1	2	3	4	5	6	7	8	9	10	12	13	14	15
	LOGIC	H	H	H	H	0	0	0	0	0	0	0	0	0	0
	PIN NO.	16	17	18	19	21	22	23	24	25	26	27	28	29	30
	LOGIC	0	0	0	0	0	H	0	0	0	0	0	0	0	0
700 TX	PIN NO.	1	2	3	4	5	6	7	8	9	10	12	13	14	15
	LOGIC	0	0	0	0	H	0	0	0	H	0	0	0	0	0
	PIN NO.	16	17	18	19	21	22	23	24	25	26	27	28	29	30
	LOGIC	0	0	0	0	0	H	0	0	0	0	H	H	0	0
700 RX	PIN NO.	1	2	3	4	5	6	7	8	9	10	12	13	14	15
	LOGIC	0	0	H	0	H	0	0	0	0	H	0	0	0	0
	PIN NO.	16	17	18	19	21	22	23	24	25	26	27	28	29	30
	LOGIC	0	0	0	0	0	H	0	0	0	0	0	0	0	H
7/800 TX	PIN NO.	1	2	3	4	5	6	7	8	9	10	12	13	14	15
	LOGIC	H	0	0	0	0	H	0	0	0	0	0	0	0	0
	PIN NO.	16	17	18	19	21	22	23	24	25	26	27	28	29	30
	LOGIC	0	0	0	0	0	H	0	0	0	0	H	H	0	0
800 TX	PIN NO.	1	2	3	4	5	6	7	8	9	10	12	13	14	15
	LOGIC	0	0	0	0	H	0	0	0	0	H	0	0	0	0
	PIN NO.	16	17	18	19	21	22	23	24	25	26	27	28	29	30
	LOGIC	0	0	0	0	0	H	0	0	0	0	H	H	0	0
800 RX	PIN NO.	1	2	3	4	5	6	7	8	9	10	12	13	14	15
	LOGIC	0	0	H	0	H	0	0	0	H	0	0	0	0	0
	PIN NO.	16	17	18	19	21	22	23	24	25	26	27	28	29	30
	LOGIC	0	0	0	0	0	H	0	0	H	0	0	0	0	H

Table 3-3. Port Expander Pin Settings (Continued)

UHF/ 7/800

UHF TX (380–445)	PIN NO.	1	2	3	4	5	6	7	8	9	10	12	13	14	15
	LOGIC	0	0	0	0	0	0	0	0	0	0	H	0	0	0
	PIN NO.	16	17	18	19	21	22	23	24	25	26	27	28	29	30
	LOGIC	0	H	0	0	0	H	H	H	0	0	H	0	H	0

UHF TX (445–520)	PIN NO.	1	2	3	4	5	6	7	8	9	10	12	13	14	15
	LOGIC	0	0	0	0	0	0	0	0	0	0	0	H	0	0
	PIN NO.	16	17	18	19	21	22	23	24	25	26	27	28	29	30
	LOGIC	0	H	0	0	0	H	H	H	0	0	H	0	H	0

UHF RX (380–445)	PIN NO.	1	2	3	4	5	6	7	8	9	10	12	13	14	15
	LOGIC	0	H	H	0	0	0	H	H	0	0	0	0	0	0
	PIN NO.	16	17	18	19	21	22	23	24	25	26	27	28	29	30
	LOGIC	0	0	0	0	0	H	H	0	0	0	0	0	0	0

UHF RX (445–520)	PIN NO.	1	2	3	4	5	6	7	8	9	10	12	13	14	15
	LOGIC	0	H	H	0	0	0	H	0	0	0	0	0	0	H
	PIN NO.	16	17	18	19	21	22	23	24	25	26	27	28	29	30
	LOGIC	0	0	0	0	0	H	H	0	0	0	0	0	0	0

VHF/ UHF

UHF TX (380–445)	PIN NO.	1	2	3	4	5	6	7	8	9	10	12	13	14	15
	LOGIC	0	0	0	0	0	0	0	0	0	0	H	0	0	0
	PIN NO.	16	17	18	19	21	22	23	24	25	26	27	28	29	30
	LOGIC	0	0	0	0	0	H	H	0	0	0	H	H	H	0

UHF TX (445–520)	PIN NO.	1	2	3	4	5	6	7	8	9	10	12	13	14	15
	LOGIC	0	0	H	0	0	0	0	0	0	0	0	H	0	0
	PIN NO.	16	17	18	19	21	22	23	24	25	26	27	28	29	30
	LOGIC	0	0	0	0	0	H	H	0	0	0	H	H	H	0

UHF RX (380–445)	PIN NO.	1	2	3	4	5	6	7	8	9	10	12	13	14	15
	LOGIC	0	0	H	0	0	0	H	H	0	0	0	0	0	0
	PIN NO.	16	17	18	19	21	22	23	24	25	26	27	28	29	30
	LOGIC	0	0	0	0	0	H	H	0	0	0	0	0	0	H

UHF RX (445–520)	PIN NO.	1	2	3	4	5	6	7	8	9	10	12	13	14	15
	LOGIC	0	0	H	0	0	0	H	0	0	0	0	0	0	H
	PIN NO.	16	17	18	19	21	22	23	24	25	26	27	28	29	30
	LOGIC	0	0	0	0	0	H	H	0	0	0	0	0	0	H

Table 3-3. Port Expander Pin Settings (Continued)

UHF1/ UHF2

UHF TX (380–445)	PIN NO.	1	2	3	4	5	6	7	8	9	10	12	13	14	15
	LOGIC	0	0	0	0	0	0	H	H	0	0	H	0	0	0
	PIN NO.	16	17	18	19	21	22	23	24	25	26	27	28	29	30
	LOGIC	0	0	0	0	0	0	H	H	0	0	0	H	0	0

UHF TX (445–520)	PIN NO.	1	2	3	4	5	6	7	8	9	10	12	13	14	15
	LOGIC	0	0	0	0	0	0	0	0	0	0	0	H	0	0
	PIN NO.	16	17	18	19	21	22	23	24	25	26	27	28	29	30
	LOGIC	0	0	0	0	0	0	H	H	0	0	0	H	0	H

UHF RX (380–445)	PIN NO.	1	2	3	4	5	6	7	8	9	10	12	13	14	15
	LOGIC	0	0	H	0	0	0	H	H	0	0	0	0	0	0
	PIN NO.	16	17	18	19	21	22	23	24	25	26	27	28	29	30
	LOGIC	0	0	0	0	0	0	H	H	0	0	0	0	0	0

UHF RX (445–520)	PIN NO.	1	2	3	4	5	6	7	8	9	10	12	13	14	15
	LOGIC	0	0	H	0	0	0	H	0	0	0	0	0	0	H
	PIN NO.	16	17	18	19	21	22	23	24	25	26	27	28	29	30
	LOGIC	0	0	0	0	0	0	H	H	0	0	0	0	0	0

3.1.4.9 Buffers and VCOs

Q774 and surrounding circuitry is the prescaler buffer that takes the output of the VCOs and feeds the prescaler input to the Trident IC, pin G1 (M_PRSC).

Q713 and surrounding circuitry is a buffer that provides the correct drive level to the receiver section (via the transmission line TL_RX_LO) and to the input to the TX buffer (Q842 and surrounding circuitry). Q712 and surrounding circuitry provide the bias to the buffer. The buffer formed by Q713 and its associated circuitry is called a "pre-buffer" at this stage.

R712, R713 and R714 help provide some extra isolation to the receiver.

Q842 and surrounding circuitry is the transmit injection buffer. The transmit injection buffer provide the correct drive level to the transmitter section (via the transmission line TL_TX_LO). Q703 and surrounding circuitry provide the bias to the transmit injection buffer.

VHF: The TX and RX VCOs used for the VHF band are contained in Y704 and Y707 respectively. To select the VHF TX VCO, pin 3 (SEL1) must be at a high logic level and pin 5 (SEL2) at a low logic level, on Y704. The VHF TX output of Y704, pin 1 (POUT) goes to pin 4 (RF1) of U708. The output of U708, pin 1 (RFC), then goes to pin 4 (RF1) of U709. The output of U709, pin 1 (RFC), is then split into two signals. One to the prescaler buffer input and the other to the pre-buffer. The output of the prebuffer is then fed to pin 1 (RFC) of U710. The VHF TX signal then goes to the divide-by-two circuitry in the Trident IC, pin J2 (ESC_IN). Resistors R703, R704 and capacitors C705, C748 and C747 provide the correct bias for the divide-by-two output. The output of the divide-by-two circuitry, pin K1 (ESCD2_OUT) then goes through a 'second harmonic filter' (comprised of C800, C801, C803 and L802) and attenuator (comprised of R709, R710 and R711). The output of the attenuator goes to pin 8 (RF3) of U711. The output of U711, pin 1 (RFC) is then fed to the transmit buffer (Q842 and surrounding circuitry). The output of the transmit injection buffer, then goes to the transmit section via the TL_TX_LO transmission line.

To select the VHF RX VCO, pin 3 (SEL1) must be at a high logic level and pin 5 (SEL2) at a low logic level, on Y707. The output of the VHF RX VCO, pin 1 (POUT) of Y707 goes to pin 8 (RF3) of U709. The output of U709, pin 1 (RFC) is split into two signals, one to the prescaler buffer (Q774) and the other to the pre-buffer. The output of the pre-buffer is then fed to pin 1 (RFC) of U710. The output of U710, pin 5 (RF2) then goes to the attenuator (comprised of R712, R713 and R714) and then fed to the receiver section via the TL_RX_LO transmission line.

UHF1: The TX and RX VCOs used for UHF1 are contained in Y705 and Y704. To select the UHF RX VCO from (380–450 MHz), pin 3 (SEL1) must be at a high logic level and pin 5 (SEL 2) at a low logic level, on Y704. To select UHF RX VCO (450–470 MHz), pin 3 (SEL1) must be at a low logic level and pin 5 (SEL 2) at a high logic level, on Y704. The UHF RX VCO output of Y704, pin 1 (POUT), is then fed to pin 4 (RF1) of switch U708. The output of U708, pin 1 (RFC), then goes to pin 4 (RF1) of U709. The output of U709, pin 1 (RFC), is then split into two signals. One to the prescaler buffer input and the other to the pre-buffer. The output of the prebuffer is then fed to pin 1 (RFC) of U710. The output of U710, pin 5 (RF2) then goes to the receiver section via TL_RX_LO transmission line.

To select the UHF TX VCO (380–445 MHz), pin 3 (SEL1) must be at a high logic level and pin 5 (SEL2) at a low logic level, on Y705. To select the UHF TX VCO (445–470 MHz), pin 3 (SEL1) must be at a low logic level and pin 5 (SEL2) at a high logic level, on Y705. The UHF TX VCO output of Y705, pin 1 (POUT), is then fed to pin 5 (RF2) of switch U708. The output of U708, pin 1 (RFC), then goes to pin 4 (RF1) of U709. The output of U709, pin 1 (RFC), is then split into two signals. One to the prescaler buffer input and the other to the prebuffer. The output of the prebuffer is then fed to pin 1 (RFC) of U710. The output of U710, pin 4 (RF1) then goes to pin 4 (RF1) of U711. The output of U711, pin 1 (RFC) then goes to the transmit injection buffer (comprised of Q842 and surrounding circuitry). The output of the transmit injection buffer, then goes to the transmit section via the TL_TX_LO transmission line.

UHF2: The TX and RX VCOs used for UHF2 are contained in Y705 and Y704. To select the UHF2 RX VCO, pin 3 (SEL1) must be at a low logic level and pin 5 (SEL 2) at a high logic level, on Y704. The UHF2 RX VCO output of Y704, pin 1 (POUT), is then fed to pin 4 (RF1) of switch U708. The output of U708, pin 1 (RFC), then goes to pin 4 (RF1) of U709. The output of U709, pin 1 (RFC), is then split into two signals. One to the prescaler buffer input and the other to the pre-buffer. The output of the prebuffer is then fed to pin 1 (RFC) of U710. The output of U710, pin 5 (RF2) then goes to the receiver section via TL_RX_LO transmission line.

To select the UHF2 TX VCO, pin 3 (SEL1) must be at a low logic level and pin 5 (SEL2) at a high logic level, on Y705. The UHF2 TX VCO output of Y705, pin 1 (POUT), is then fed to pin 5 (RF2) of switch U708. The output of U708, pin 1 (RFC), then goes to pin 4 (RF1) of U709. The output of U709, pin 1 (RFC), is then split into two signals. One to the prescaler buffer input and the other to the pre-buffer. The output of the prebuffer is then fed to pin 1 (RFC) of U710. The output of U710, pin 4 (RF1) then goes to pin 4 (RF1) of U711. The output of U711, pin 1 (RFC) then goes to the transmit injection buffer (comprised of Q842 and surrounding circuitry). The output of the transmit injection buffer, then goes to the transmit section via the TL_TX_LO transmission line.

700–800 MHz: The TX and RX VCOs used for 700–800 MHz are contained in Y706 and Y707. To select the 700 RX VCO, pin 5 (SEL2) must be at a high logic level and pin 3 (SEL1) at a low logic level, on Y706. The 700 RX VCO output of Y706, pin 1 (POUT), is then fed to pin 5 (RF2) of switch U709. The output of U709, pin 1 (RFC), is then split into two signals. One to the prescaler buffer input and the other to the pre-buffer. The output of the prebuffer is then fed to pin 1 (RFC) of U710. The output of U710, pin 5 (RF2) then goes to the receiver section via TL_RX_LO transmission line

To select the 800 RX VCO, pin 3 (SEL1) must be at a high logic level and pin 5 (SEL2) at a low logic level, on Y706. The 800 RX VCO output of Y706, pin 1 (POUT), is then fed to pin 5 (RF2) of switch U709. The output of U709, pin 1 (RFC), is then split into two signals. One to the prescaler buffer input and the other to the pre-buffer. The output of the prebuffer is then fed to pin 1 (RFC) of U710. The output of U710 (RF2) then goes to the receiver section via TL_RX_LO transmission line

To select the 700 TX VCO, pin 3 (SEL1) must be at a high logic level and pin 5 (SEL2) at a low logic level, on Y706. The 700 TX VCO output of Y706, pin 1 (POUT), is then fed to pin 5 (RF2) of switch U709. The output of U709, pin 1 (RFC), is then split into two signals. One to the prescaler buffer input and the other to the pre-buffer. The output of the prebuffer is then fed to pin 1 (RFC) of U710. The output of U710, pin 4 (RF1) then goes to pin 4 (RF1) of U711. The output of U711, pin 1 (RFC) then goes to the transmit injection buffer (comprised of Q842 and surrounding circuitry). The output of the transmit buffer, then goes to the transmit section via the TL_TX_LO line.

To select the 800 TX VCO, pin 5 (SEL2) must be at a high logic level and pin 3 (SEL1) at a low logic level, on Y706. The 800 TX VCO output of Y706, pin 1 (POUT), is then fed to pin 5 (RF2) of switch U709. The output of U709, pin 1 (RFC), is then split into two signals. One to the prescaler buffer input and the other to the pre-buffer. The output of the prebuffer is then fed to pin 1 (RFC) of U710. The output of U710, pin 4 (RF1) then goes to pin 4 (RF1) of U711. The output of U711, pin 1 (RFC) then goes to the transmit injection buffer (comprised of Q842 and surrounding circuitry). The output of the transmit injection buffer, then goes to the transmit section via the TL_TX_LO line.

To select the 7/800 TX VCO, pin 5 (SEL2) must be at a high logic level and pin 3 (SEL1) at a low logic level, on Y707. The 7/800 talk around VCO output of Y707, pin 1 (POUT), is then fed to pin 8 (RF3) of switch U709. The output of U709, pin 1 (RFC), is then split into two signals. One to the prescaler buffer input and the other to the pre-buffer. The output of the prebuffer is then fed to pin 1 (RFC) of U710. The output of U710, pin 4 (RF1) then goes to pin 4 (RF1) of U711. The output of U711, pin 1 (RFC) then goes to the transmit injection buffer (comprised of Q842 and surrounding circuitry). The output of the transmit injection buffer, then goes to the transmit section via the TL_TX_LO line.

3.2 Controller

3.2.1 Controller Overview

This section provides a detailed circuit description of the APX 7000/ APX 7000XE controller design. The controller design consists of the following board and flexes:

Printed Circuit Boards

- VOCON Board
- Expansion Board
- GCAI Connector Board
- Bluetooth Option Board

NOTE: The Bluetooth Option Board, MNUK6000B, is not serviceable to piece part level.

Flexes

- Control Top (Top Display, Buttons, Knobs)
- Front Chassis (Display, Keypad)
- GCAI (Global Core Accessory Interface)
- Side Controls
- Audio Side Microphone / Speaker
- Data Side Microphone
- Data Side Speaker

The controller interconnection diagram (Figure 3-22) shows the various physical components of the design, along with how they are all connected. It also shows the key distinguishes between a flex connection and a board-to-board connection. A brief description of each of the components is provided below.

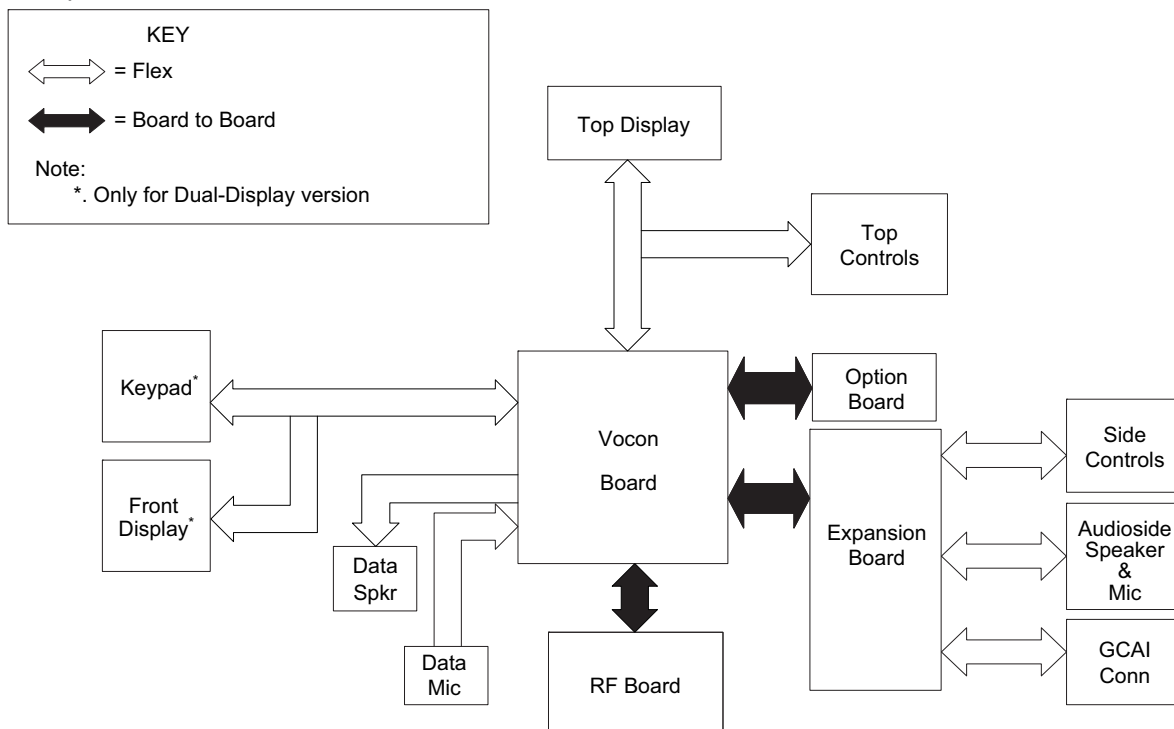


Figure 3-22. Controller Interconnection Diagram

3.2.1.1 Main Controller Components and Connections

3.2.1.1.1 VOCON Board

The VOCON Board contains the OMAP1710 dual-core processor, FLASH and SDRAM memory, Audio circuitry (MAKO and CODEC IC's), a Complex Programmable Logic Device (CPLD), the MACE encryption IC, and interfaces to the other components in the controller design.

Connectors

- RF Board – J1001
- Expansion Board – J4001
- Bluetooth Option Board – J3001
- Control Top – J2101
- Front Chassis – J2301

3.2.1.1.2 Expansion Board

The expansion board contains the Class D Internal Audio PA with speaker connections, the Global Positioning System (GPS) circuitry, a removable memory card connector / interface, and connector interfaces to the GCAI board and side controls flex.

Connectors

- VOCON Board – P2001
- Side Controls – J2005
- GCAI – J2004

3.2.1.1.3 GCAI Connector / Board

The GCAI Connector Board contains the side connector pins, and interfaces to the expansion board through a flex. The board has this flex connector, along with components for ESD protection.

3.2.1.1.4 Bluetooth Option Board Interface

The Bluetooth Option Board interface is a 60-pin connector contains various interfaces from the VOCON Board.

3.2.1.2 Top Controls / Flex

The control top contains the top display, the main RF antenna, and five switches: On/Off & Volume Knob, a 16-position Channel/Frequency Switch with concentric 2-position switch (for secure enable/disable operation), a 3 position toggle switch for Zone Selection, and a toggle switch used for Emergency Calling. The control top also includes an TX/RX LED that is solid amber upon receive, red on PTT, and blinking amber on secure TX/RX.

3.2.1.2.1 Top Display

The Top Display is a FSTN transfective monochrome liquid crystal display (LCD) with a multi-color backlight (White, Red, Green, and Amber), which connects to the Control Top Flex (see [Section 3.2.1.2: "Top Controls / Flex"](#)).

3.2.1.2.2 Front Display

The Front Display is a QVGA transfective color LCD, 320 pixels x 240 pixels with a white backlight. The display connects to the keypad flex.

3.2.1.2.3 Keypad / Flex

The keypad flex features a 3 x 2 Menu keypad with 4- way navigation button, and a 3 x 4 alphanumeric keypad. The front display connects into this flex, which then presents either a 60-pin connector interface to the MNCN6200 VOCON board, or, an 80-pin connector interface to the MNCN6202 VOCON Board.

3.2.1.2.4 Data Side Speaker

The data side speaker is contained within the front chassis assembly, and connects directly to the VOCON board through a set of pogo pins.

3.2.1.2.5 Data Side Microphone

The data side microphone connects directly to the VOCON board through a set of pads on the VOCON.

3.2.1.2.6 Side Controls Flex

The side controls flex contains the PTT, Monitor, and Side 1 and 2 buttons. The flex connects to the Expansion Board through a 10-pin connector.

3.2.1.2.7 Audio Side Microphone and Speaker

The audio side microphone and speaker flex connect through clips to the expansion board.

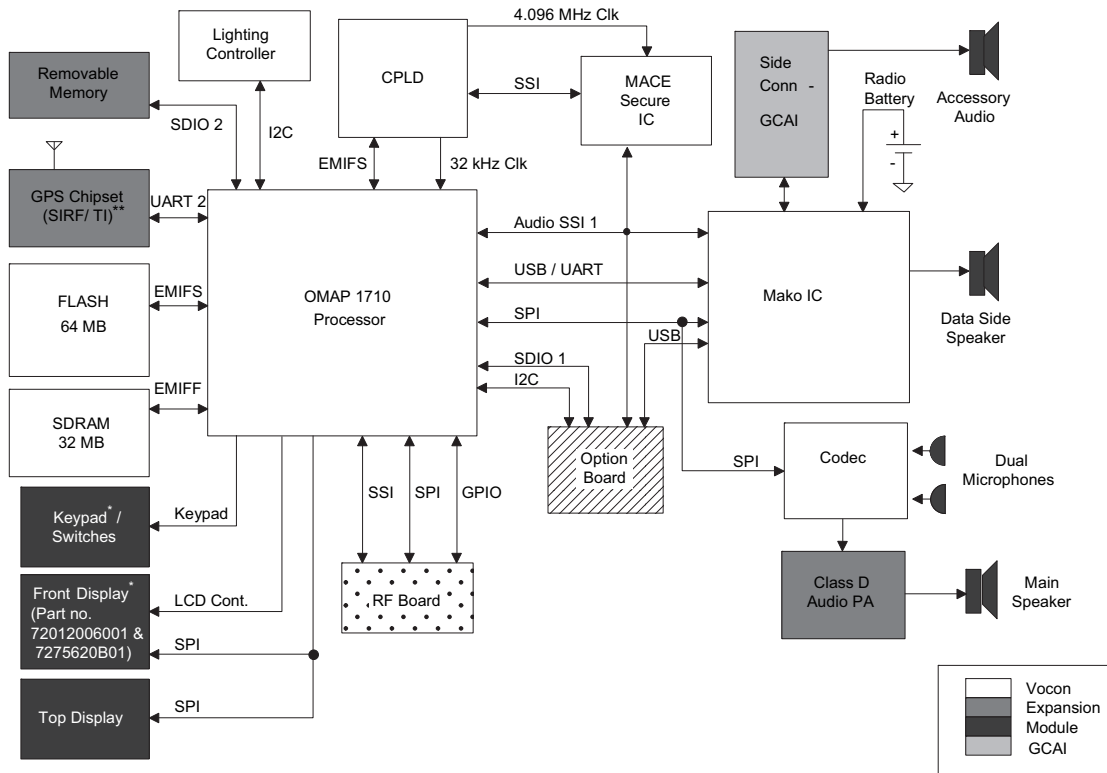
3.2.1.2.8 RF Board

The RF board connects to the VOCON through a 40-pin connector.

NOTE: See [Table 7-2 on page 7-2](#) for connector pin definitions.

3.2.1.3 Controller Electrical Architecture

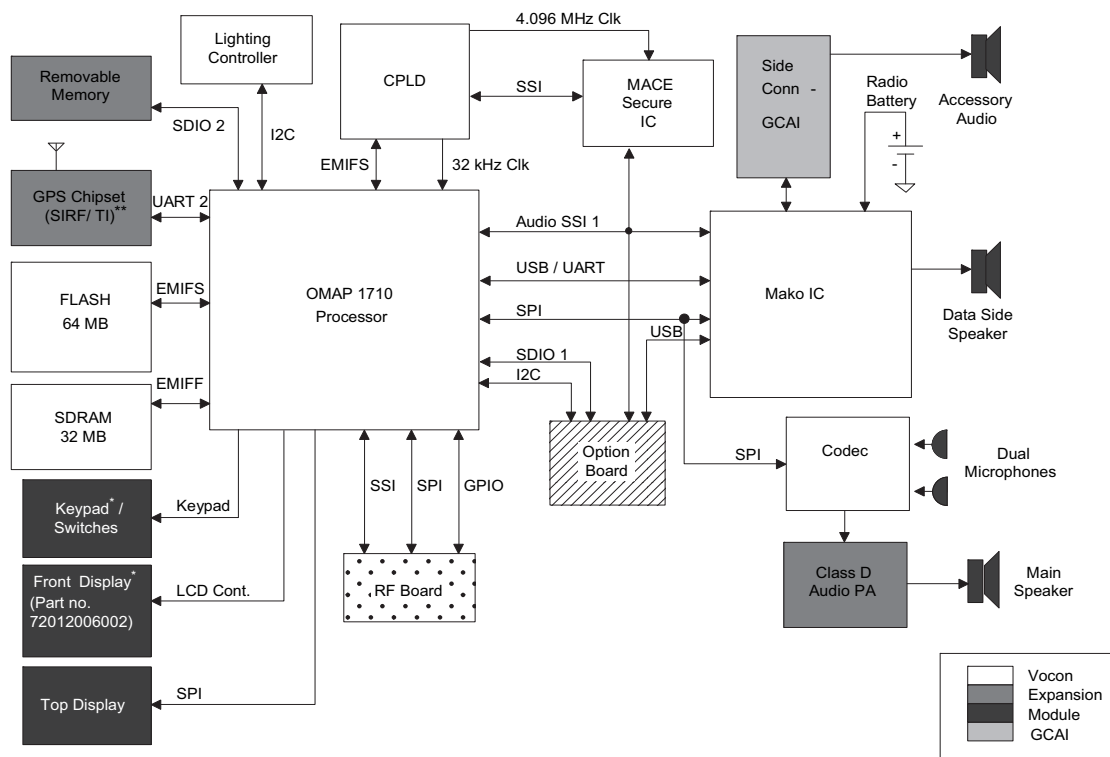
An overview of the Controller electrical architecture is shown in [Figure 3-23](#) below. The major components and electrical interfaces are shown.



Note:

- *. Only for Dual-Display Version
- ** . SiRF is used in Expander board HLN6977A/B and TI is used in Expander board HLN6977C

*Figure 3-23. Controller Electrical Overview
(For display part no. 72012006001 and 7275620B01)*

**Note:**

*. Only for Dual-Display Version

** . SIRF is used in Expander board HLN6977A/B and TI is used in Expander board HLN6977C

*Figure 3-24. Controller Electrical Overview
(For display part no. 72012006002)*

The functional blocks of the controller are:

- DC Distribution
- Clock Sources
- Processor / Memory
- Removable Memory
- CPLD
- Audio – Internal and External
- MAKO
- User Interfaces
- RF Board Interface
- Encryption (Type III)
- Bluetooth Module Interface

3.2.2 DC Distribution

SW_B+ supply comes from a pass FET (Q6501) that is powered by UNSW_B+ (battery voltage). The FET is activated once the power switch is in its on position. SW_B+ supplies the power for the entire controller. SW_B+ supplies MAKO and the external regulators. MAKO and the external regulators then regulate the voltage to the desired level. (See Figure 3-25.)

OMAP's core is supplied by VCC_SW_1.4 (U6507). VCC_SW_1.875 supplies OMAP's IO, FLASH, CPLD, DDR, and MACE. See Table 3-4 for DC supplies and sources.

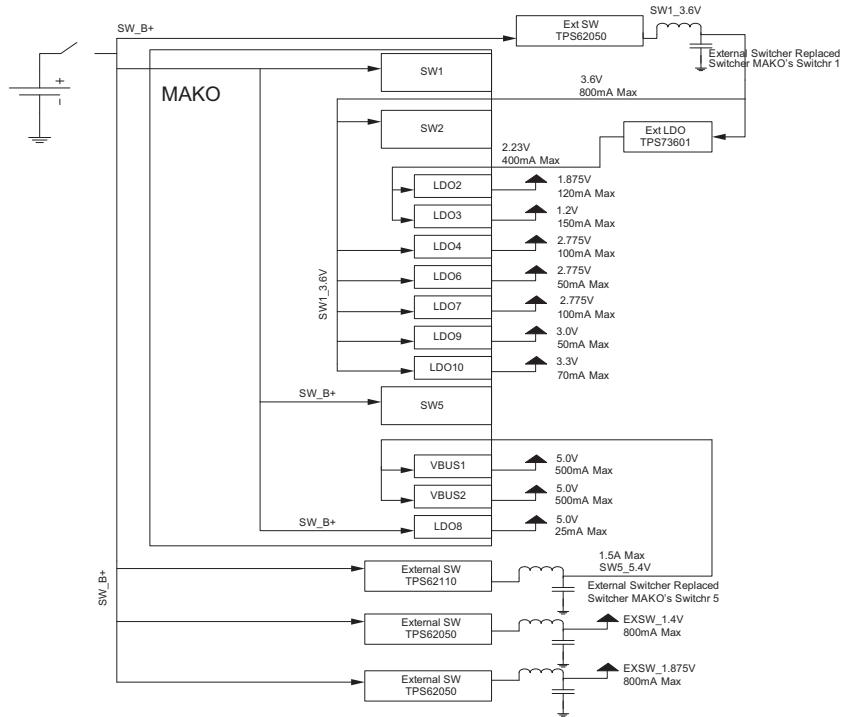


Figure 3-25. Controller DC Block Diagram

Table 3-4. DC Supplies and Sources for Controller

	VCC_SW_3.6	VCC_SW_1.4	VCC_SW_1.875	VCC_SW_5	VBUS1	VBUS2	VCC_1.875	VCC_2.75D	VCC_2.775	VCC_3.0A	SW_B+
OMAP CORE		X									
OMAP IO			X								
DDR			X								
FLASH			X								
CPLD			X								
MACE			X								
CODEC							X			X	
GPS											
LGHT FRNT	X		X	X							
LGHT TOP	X			X							
RF BOARD	X						X		X		
MAKO	X								X		X
CLASS D PA											X
BLUETOOTH OPTION BRD	X		X		X			X			
TOP DSPLY			X					X			
FRNT DSPLY			X					X			
USB SPLY						X					
16.8 SQR									X		

3.2.2.1 DC Distribution Major Components

The controller's DC section is made up of MAKO and external regulators. This section will give an overview of the schematics and circuitry that makes up the major supplies of the DC architecture.

3.2.2.1.1 MAKO

MAKO (U6501) is a custom power management IC manufactured by Atmel. MAKO controls almost all of the LDO supplies to the controller. [Table 3-5](#) illustrates all of MAKO's LDO and the supplies that feed them. [Figure 3-25](#) shows all of MAKO's LDOs their voltage level and components that can be accessed to verify operation. [Figure 3-25](#) also shows where the battery supply and on off switch can be accessed. MAKO is also responsible for the timing sequence for the enabling of the regulators which is discussed further in [section 3.1.3.7.1](#) and [section 3.1.3.7.3](#) on pages 3-20 and 3-21.

Table 3-5. MAKO's LDO and Supplies

Name	Ref	Description	Level
MECH_SW	F_MECH_SW	ON/OFF Switch. Radio on when GND	GND
UNSW_B+	F_UNSW_B+	Radio Battery Voltage	6 V – 9 V
SW_B+	R6505_6	Radio Supply Voltage	6 V – 9 V
V_SAVE	C6538_6	LDO Output Present When Battery is Attached	2.5 V
VCC_1.875	C4001_4	LDO Output	1.875 V
VCC_1.55	R6561_6	LDO Output	1.55 V
VCC_2.775D	R4011_4	LDO Output	2.775 V
VCC_2.775	R6563_6	LDO Output	2.775 V
VCC_2.8	R6564_6	LDO Output	2.8 V
VCC_5.0A	R6565_6	LDO Output	5.0 V
VCC_3.3	R6566_6	LDO Output	3.3 V
VCC_3.0A	R6567_6	LDO Output	3.0 V

3.2.2.1.2 External Regulators: SW_1.875, SW_1.4, SW_3.6

The controller board contains three TPS62050 regulators in order to regulate voltages of 1.85 V, 1.4 V, and 3.6 V. The TPS62050 is a synchronous step-down adjustable regulator. The switching regulator is capable of sourcing 800 mA. Its output can be adjusted by using a voltage divider tied to the feedback pin. The regulators are powered from SW_B+. [Figure 3-26](#) is the schematic for the VCC_SW_1.4 regulator. [Figure 3-26](#) illustrates the supporting circuitry for the TPS62050.

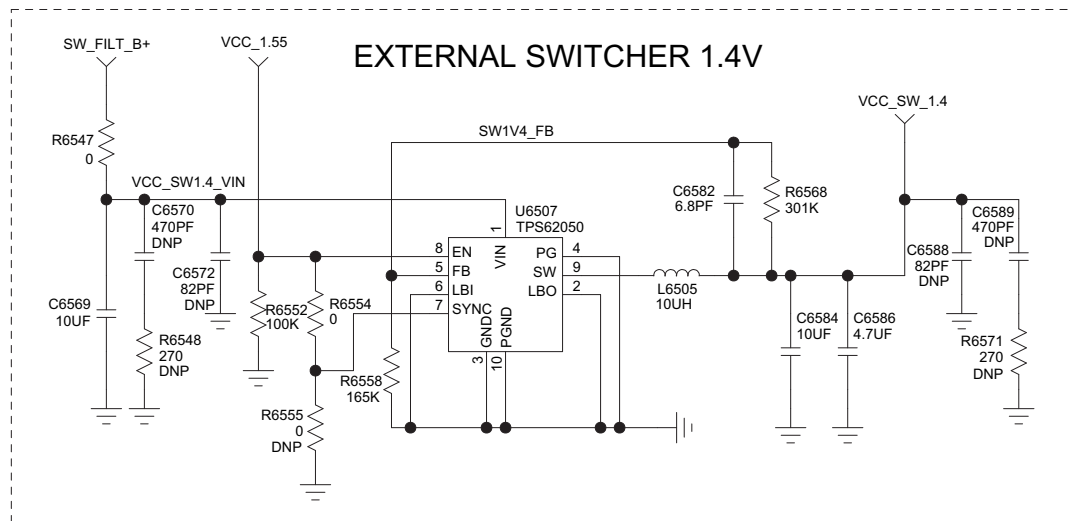


Figure 3-26. VCC_SW_1.4 Regulator

3.2.2.1.3 External Switcher 5

The controller board uses an external TI regulator (TPS62110, U6505) to regulate to 5.4 V. The TPS62110 is a 1.5 A capable synchronous step down converter. The output is adjusted using a voltage divider to the feedback pin. The regulator is software enabled through a GPO on MAKO. The regulator is powered from SW_B+. [Figure 3-27](#) illustrates the SW5 circuitry.

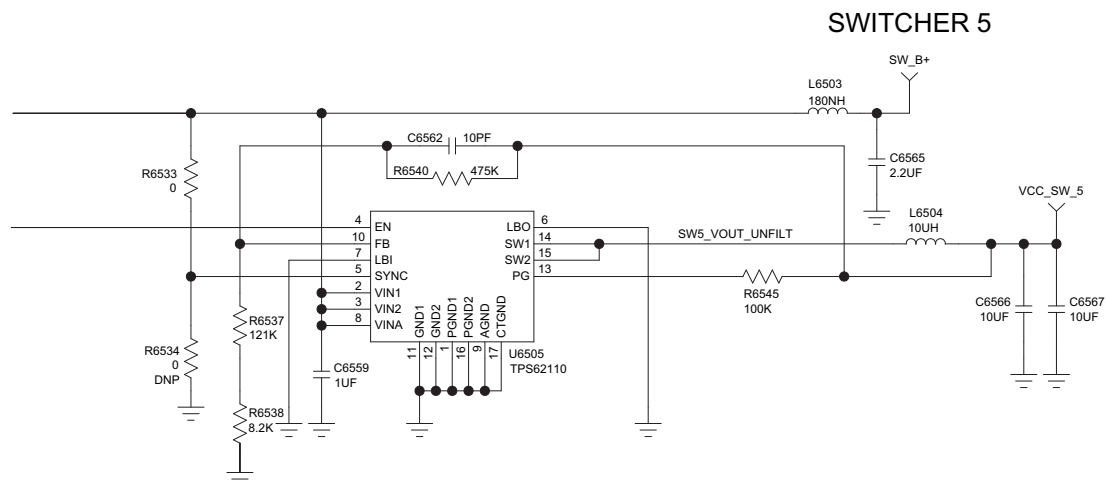


Figure 3-27. SW5 Circuit

3.2.2.1.4 Power-up Timing

The powering up of the radio starts with the MAKO. Once the radio knob is turned to the 'ON' position and battery voltage is supplied, a pass FET is activated to deliver battery voltage to MAKO and external regulators. The external 3.6 V is first turned on then MAKO activates its 24 MHz clock, and the remaining regulators begin to turn on. Once all the regulators have turned on, MAKO releases its reset. The CPLD is then powered on from the 1.875 V external regulator and takes MAKO 24 MHz clock and divides it to 32 kHz in order to provide for OMAP. OMAP starts to power up upon receiving voltages 1.4 V, 1.875 V, and the 32 kHz clock. OMAP then activates its 12 MHz clock and releases its reset. It then starts to run the boot loader stored in flash. A more detailed timing view of the regulators is shown in [Figure 3-28](#).

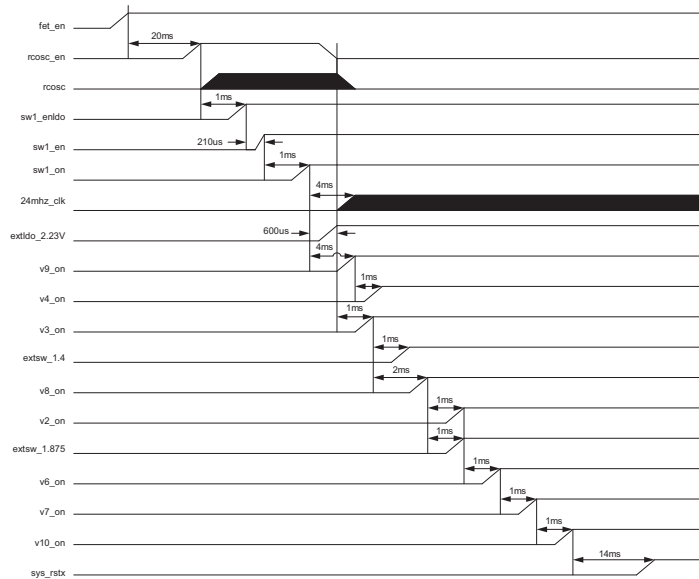


Figure 3-28. Power-up Timing Regulators

3.2.3 Clock Sources

The VOCON board contains multiple crystal clock sources. These sources are active upon power-up. Secondary clock frequencies are derived on the VOCON board from these crystal sources. In addition to the crystal frequencies, the VOCON receives a 16.8 MHz sine wave from the RF board, which is shaped into square wave and fed to the OMAP timer input. Screen shots and test points for these clock signals are shown in [Chapter 6](#).

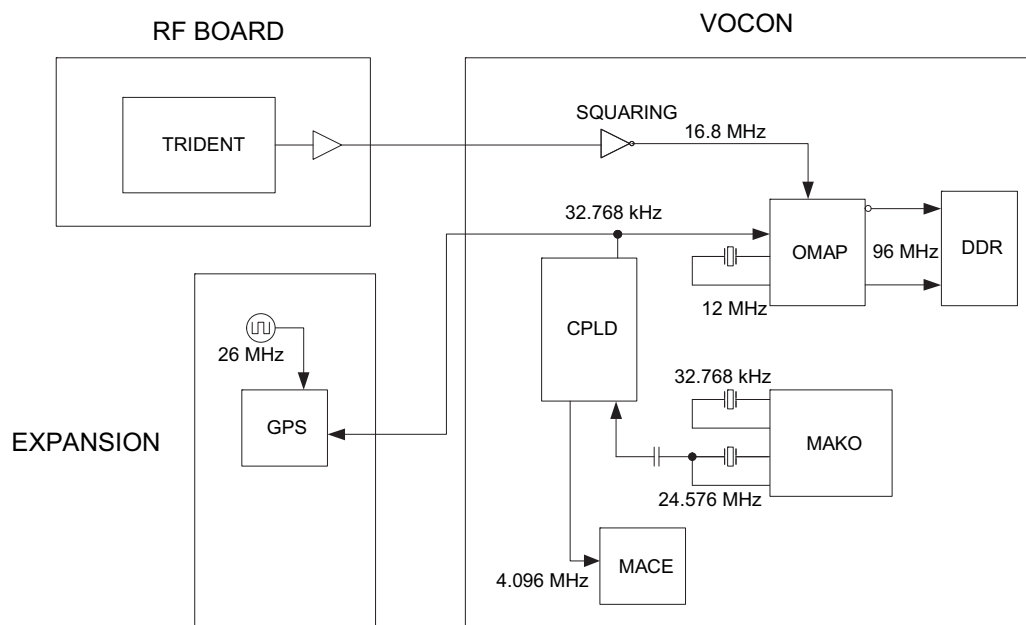


Figure 3-29. VOCON Clock Architecture

Table 3-6. VOCON Clock Distribution

Clock Source	Frequency	Type	Description	Clock Recipient	Suggested Probe Points
Y6501	24.576 MHz	Crystal Oscillator	MAKO 24 MHz & tapped into CPLD	U6501, U6101	R6578, R6572
Y6502	32.768 kHz	Crystal Oscillator	MAKO RTC	U6501	C6541
Y6601	12 MHz	Crystal Oscillator	OMAP CPU Clock	U6302	C6601
U6302	96 MHz	OMAP GPIO	DDR Clocks (Complementary signals)	U6301	TP6307 & TP6308
U6101	4 MHz	CPLD GPIO	MACE Clock	U5003	R6113
U6101	32.768 kHz	CPLD GPIO	GPS RTC clock	U2206 (Expansion Board)	R6115
Y701 (RF board)	16.8 MHz	Crystal Oscillator	RF Freq. synth. IC (Abacus) TCXO	U6302	R6218

3.2.4 OMAP Processor and Memory

3.2.4.1 OMAP Processor (U6302)

The OMAP1710 dual core processor lies at the center of the VOCON design. The processor features utilized in the VOCON design include:

- ARM9 CPU core
- C55X DSP core
- 16KB shared internal RAM
- SSI Interfaces
- USB Interfaces
- Timers & Watchdog Timers
- Keyboard Matrix Interface
- 1-Wire Interface
- Secure Digital (SD) Interfaces
- LCD Controller
- I2C Interface
- SPI interface
- SoSSI interface
- External Memory Synchronous Interface
- External Memory Asynchronous Interface
- UARTs
- GPIOs

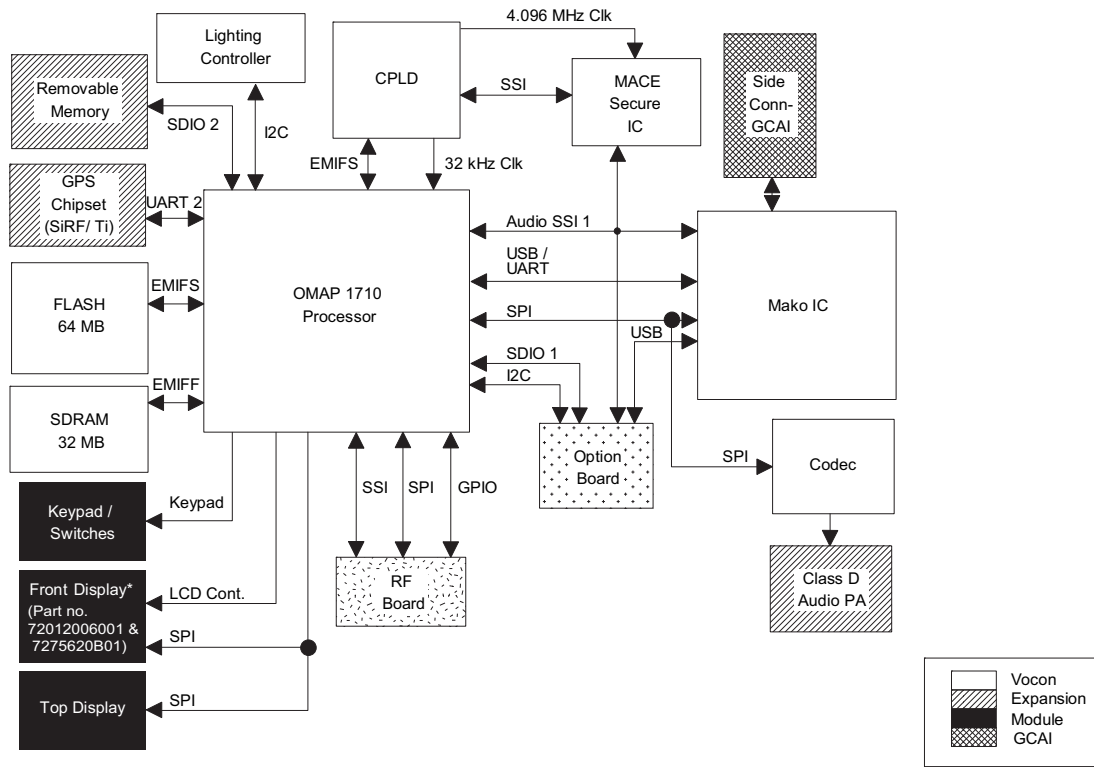


Figure 3-30. Overview of OMAP Interconnection with VOCON Peripherals (For display part no. 72012006001 and 7275620B01)

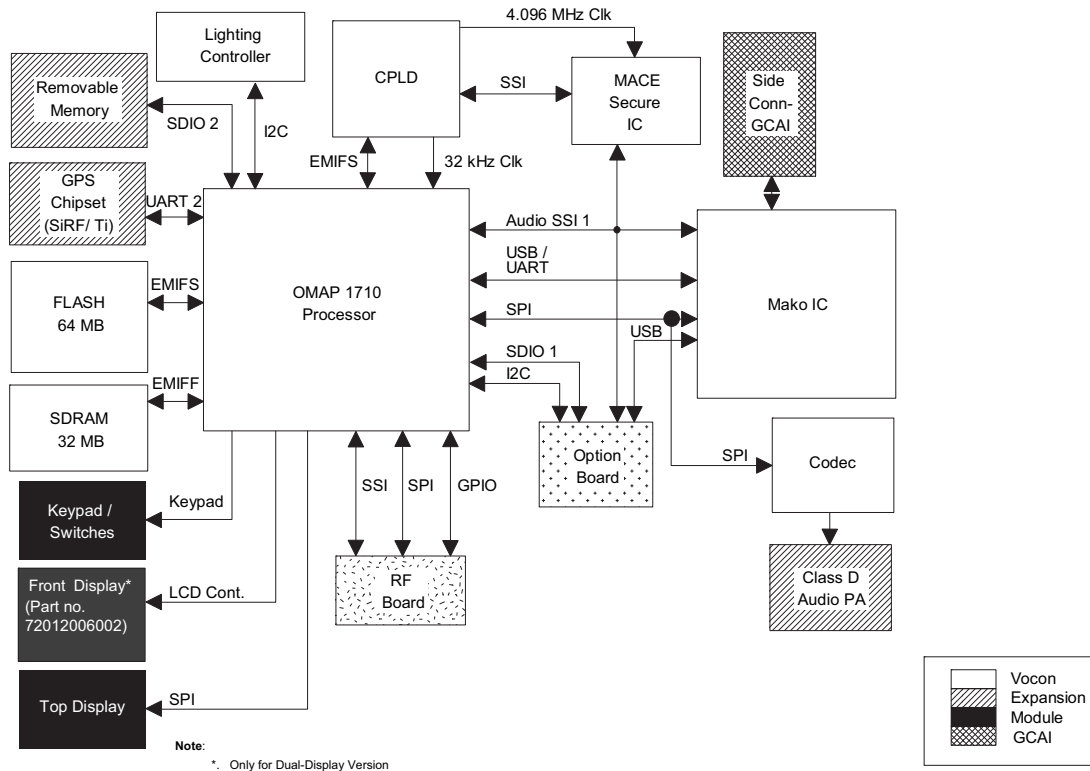


Figure 3-31. Overview of OMAP Interconnection with VOCON Peripherals (For display part no. 72012006002)

3.2.4.2 Memory

In addition to the internal RAM, the OMAP 1710 Processor (U6302) features three distinct external memory interfaces. All memory devices except the removable memory, is located on the VOCON board, as elaborated in [Figure 3-30](#). The external memory interface is shown in [Figure 3-32](#).

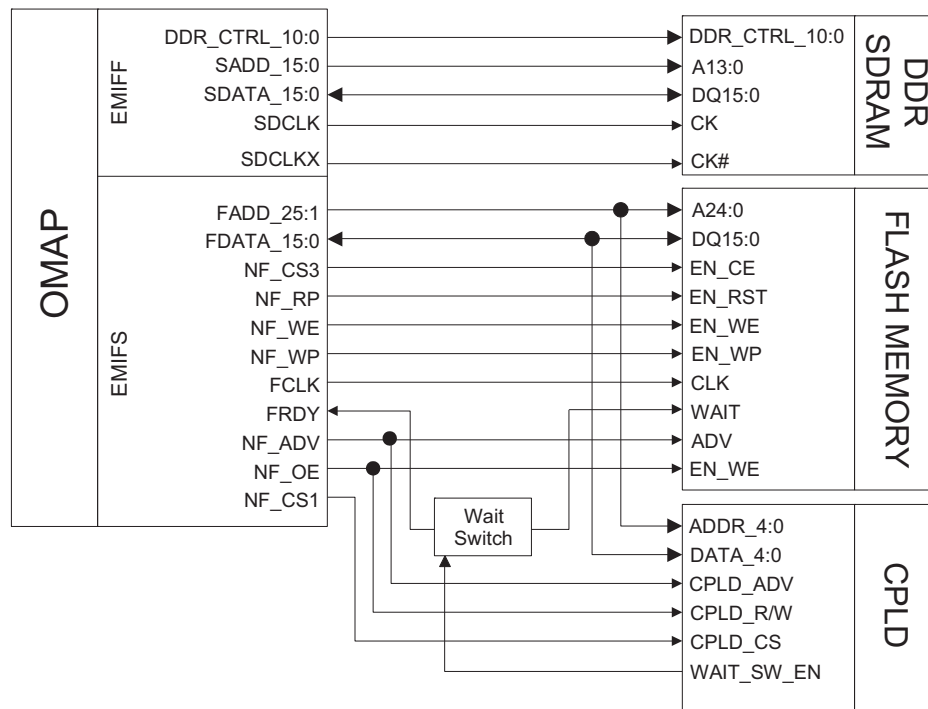


Figure 3-32. OMAP Memory Interface

3.2.4.3 Asynchronous External Memory Interface

The EMIFS is used for transferring data between the ARM or DSP cores and the 64 MB External NOR Flash memory (U6304). The Flash memory is a non-volatile memory unit, primarily used to store the radio's executable code, along with device configuration values, event logs, and initialization codes. The Flash memory is accessed during VOCON power up and power down.

3.2.4.4 Flash Memory (U6304)

The Flash memory located in close proximity to the OMAP processor is a 64 MB Intel StrataFlash. The flash interface uses 16 data bits and 25 address bits. The flash IC is enabled by OMAP processor's CS3 line. The flash IC also features a WAIT line that is capable of halting data flow between the processor and flash IC.

3.2.4.5 CPLD

The CPLD (U6101) registers are also mapped to the Asynchronous External Memory Interface. These registers control the CPLD GPIO pins and enable the OMAP to expand its GPIO capability via memory mapped IO.

3.2.4.6 Synchronous External Memory Interface

This interfaces the OMAP to a 32 MB Double Data Rate (DDR) RAM IC (U6301). Upon boot-up OMAP configures this interface to operate in synchronous mode at 96 MHz. This volatile memory unit is accessed during code execution.

3.2.4.7 Double Data Rate (DDR) Memory (U6301)

The 32MB DDR Synchronous DRAM IC is interfaced to the OMAP using 13 address bits and a 16bit data bus. The DDR IC is driven by a complementary clock signal originating from the OMAP IC. The DDR clock is initialized to 96MHz by the OMAP boot code. Additional control signals are also dedicated for the DRAM interface, as illustrated in [Figure 8-126. “MNCN6200A/MNCN6201A VOCON Memory Interface Circuits” on page 8-279](#) and [Figure 8-127. “MNCN6202A/MNCN6203A VOCON Memory Interface Circuits” on page 8-280](#) schematics.

3.2.4.8 Secure Digital (SD) Interface

The OMAP processor SD interface is used for removable memory devices. The removable memory socket resides on the Expansion Board. The VOCON is connected to the Expansion board through connector J4001.

3.2.4.9 Removable Memory

The MMC2 interface on the OMAP processor is configured as a Secure Digital interface used for the removable memory modules. The removable memory modules use a 10bit interface, which include 4 bit wide bi-directional data bus, command line, clock and three direction control bits. The direction control bits enable the OMAP SDIO interface to utilize a voltage translator IC, located on the expansion board that bridges the signals to the actual removable memory device. The SDIO signals are conveyed to the expansion board via J4001. The expansion board houses a removable memory socket (J2101) which is compatible with MicroSD flash devices. See [Figure 3-33](#) for details.

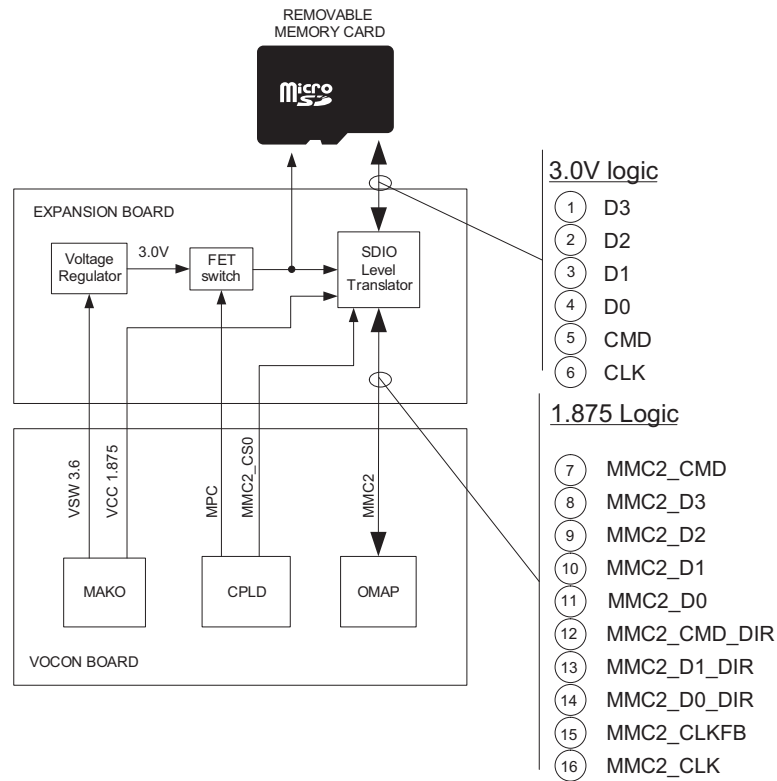


Figure 3-33. Removable Memory Outline

3.2.4.10 Peripheral Devices

The OMAP processor is equipped with multiple buses and interfaces that are configured for peripheral interconnection.

3.2.4.10.1 Receive and Transmit SSI

These two interfaces are dedicated for communicating with the RF deck digital interface, carrying receive and transmit base band signals. The OMAP processor generates the clock and FSYNC signals on this bus.

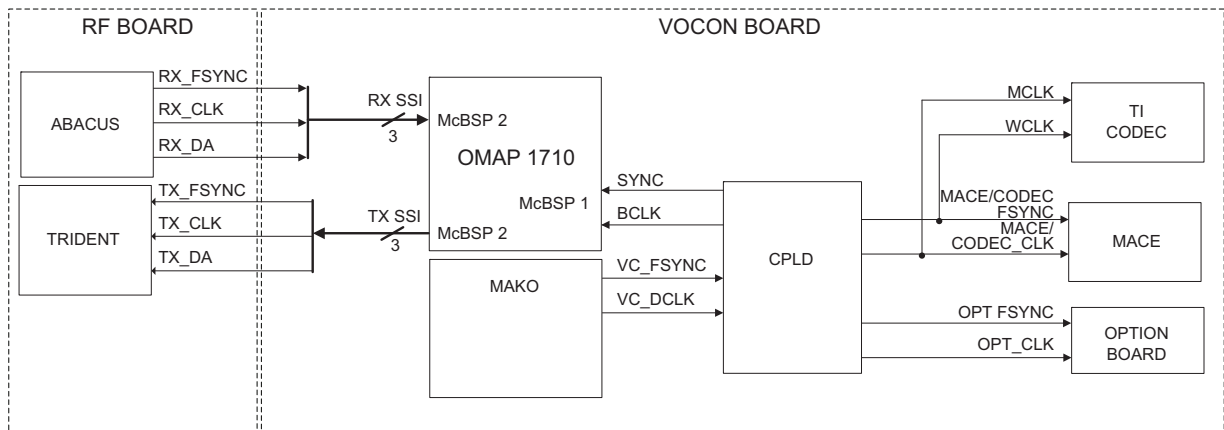


Figure 3-34. RX / TX SSI Configuration

3.2.4.10.2 Audio SSI

OMAP's McBSP1 interface is configured as a SSI interface dedicated to carry transmit and receive audio data to peripheral devices. The peripherals connected to this bus include MAKO, Audio CODEC, MACE and CPLD. The bus also connects to the bluetooth option board via J3001. OMAP generates the clock and frame sync signals for this bus.

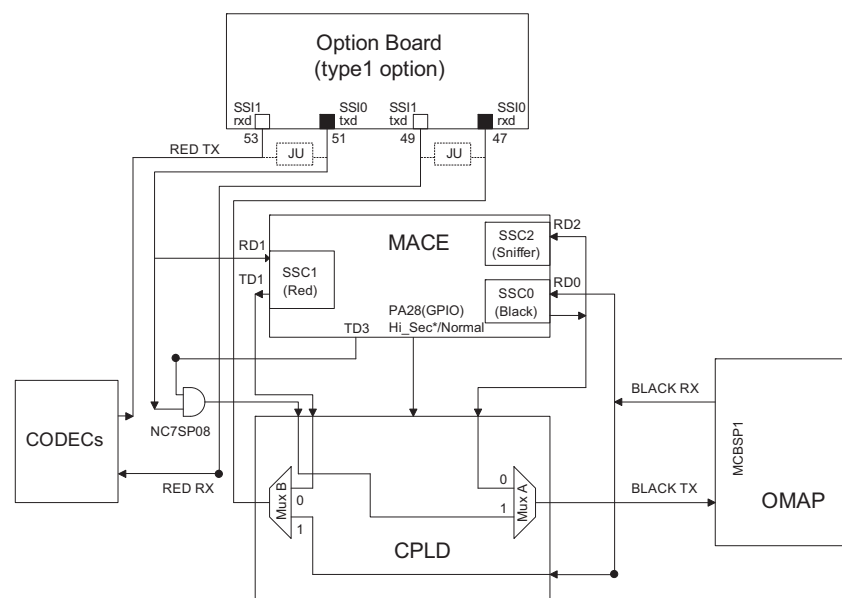


Figure 3-35. Audio SSI Configuration

3.2.4.10.3 ARM SPI

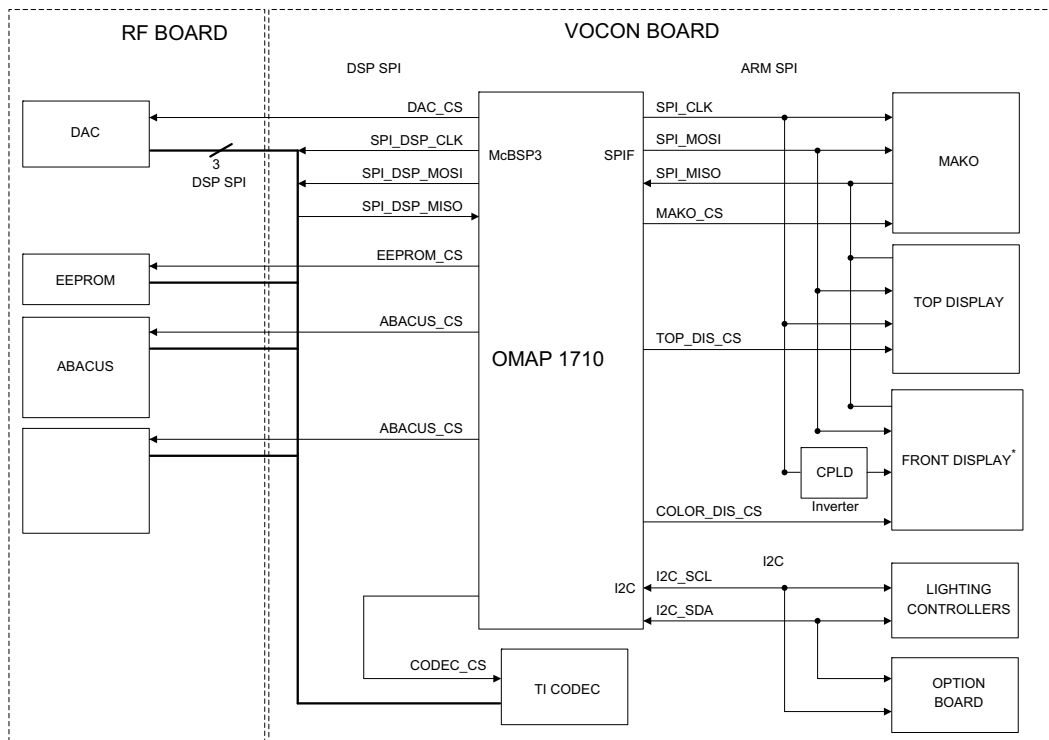
This SPI interface is controlled by OMAP's ARM core. Devices connected to this bus include MAKO, display controllers and the audio CODEC.

3.2.4.10.4 DSP SPI

This SPI interface is controlled by the DSP core of the OMAP processor. This bus is used to configure and control devices on the RF deck.

3.2.4.10.5 I2C

The I2C bus of the OMAP processor controls the lighting controller IC. This bus is also available on the bluetooth option board, routed via J3001.



Note:
*. Only for Dual-Display Version.

Figure 3-36. SPI and I2C Configuration

3.2.4.10.6 1-Wire

The OMAP's 1-wire line is available on the GCAI pin 16. The signal is routed to the side connector via J4001.

3.2.4.10.7 USB

The OMAP CPU's USB port is routed to the side connector via J4001. The USB signals on the side connector are illustrated in [Figure 3-30, on page 3-41](#).

3.2.4.10.8 UARTs

Two of OMAP's UARTs are configured for peripheral interfacing.

The four-wire UART1, which is capable of hardware flow control, is available on the side connector for accessory devices. The signals are level translated via MAKO and routed to the side connector via J4001. Pin-outs of the UART signals on the side connector is shown in [Figure 3-49, on page 3-60](#) and [Table 7-11 on page 7-9](#).

OMAP's UART2, which is a two wire interface, capable of software flow control only, is connected to the GPS receiver IC on the expansion board. The signals are routed to the expansion board via J4001.

3.2.4.10.9 CPLD (U6101)

The CoolRunner IC is a complex programmable logic device (CPLD) programmed specifically for the APX 7000/ APX 7000XE product line. The CoolRunner IC is flash based and comes pre-programmed. It is contained in an 8x8mm, 132 BGA package with 0.5mm ball spacing. The primary functions of the CPLD are clock generation, GPIO expansion, SSI clock and frame sync direction control, F2 multiplexing, secure data control, main display off-loading and clock inversion.

The MAKO IC supplies the CPLD's 1.875 V core voltage and a 24.576 MHz reference clock. The 1.875 V core voltage is used for internal logic and I/O buffers. MAKO's 24.576 MHz clock source is used to generate a 32.768 kHz clock for OMAP booting, Real Time Clock / timer, and for GPS. It is also used to generate 4.096 MHz for the MACE IC.

The CPLD is controlled through OMAP's EMIFS interface. It supports 31 configurable GPIOs. It also supports 20 input only pins that are accessible through an EMIFS read operation. Some of the GPIOs supported by the CPLD include GCAI_GPIO_0, F2_PARAMP_MON, and USB_CURR_LIM. Some examples of the inputs the CPLD is programmed to support are some of the top and side controls buttons (SEC_CLEAR, FREQ_SEL, MON, SIDE_1, SIDE_2, and TG0) and board ID. See [Table 7-14 on page 7-33](#) for a complete list of pin assignments. [Figure 3-37](#) below shows the basic CPLD interfaces.

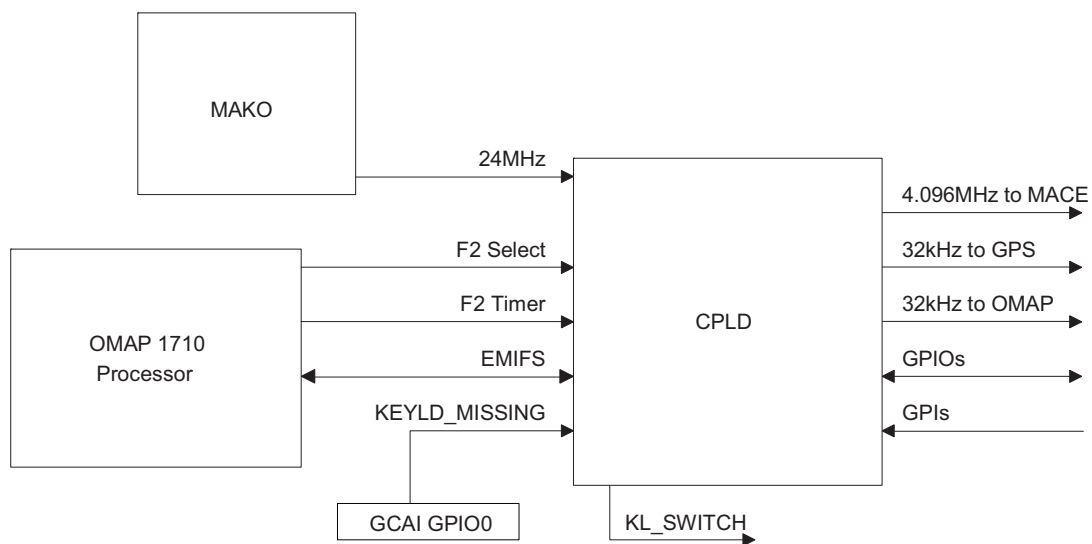


Figure 3-37. CPLD Block Diagram

3.2.5 Audio

The audio section of the VOCON design consists of:

- TI AIC33 voice CODEC
- Maxim MAX9768 class-D audio power amplifier
- MAKO audio sub-block

3.2.5.1 TX Audio path

The TX audio paths begin with three microphones. There are two internal microphones and one external microphone path going to the GCAI connector.

The internal microphone paths start with two microphones that are embedded within the radio. Both of the microphones are biased with a 4.7 V supply that is generated by the MAKO IC. This supply is solely dedicated to biasing the microphones. The microphone signals are AC coupled into the 16 bit TI AIC33 stereo CODEC on the MIC3R and MIC3L input pins. The TI AIC33 CODEC allows both microphone signals to be amplified, and simultaneously sampled and converted into digital data. The data is sent to the OMAP1710's DSP through the McBSP1 port where the DINC (dual input noise canceller) can process the data for both microphones and provide a high level of noise suppression. The digital data is sent to the OMAP1710 through the audio SSI (synchronous serial interface) bus where the MAKO IC is used as the interface's clock and frame sync generator.

Portable TX Audio Architecture

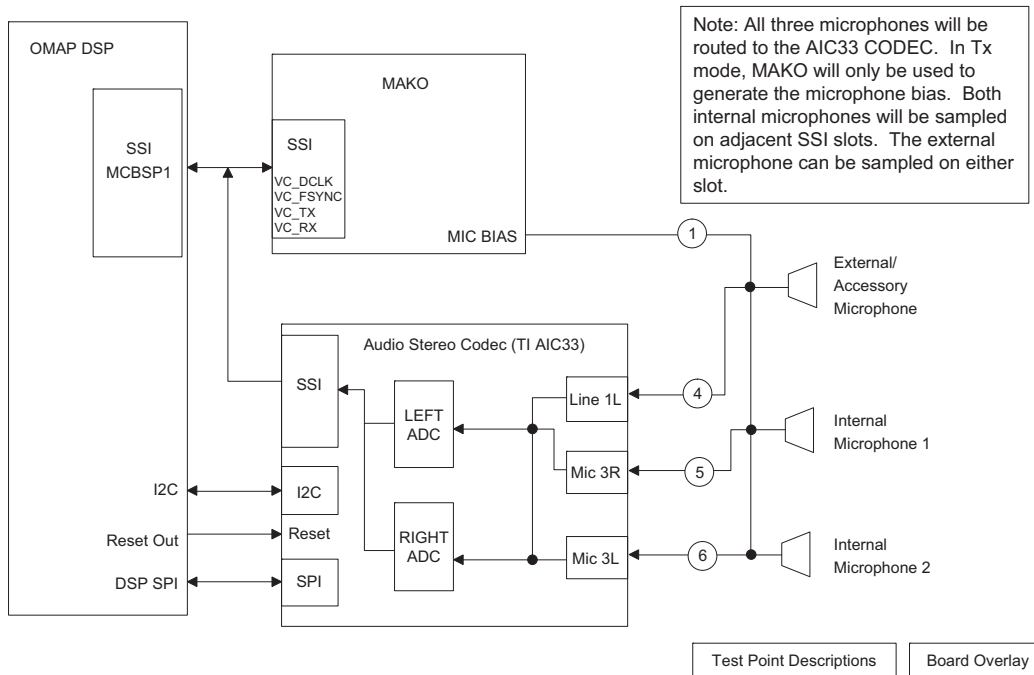


Figure 3-38. Audio TX Path Block Diagram

The external microphone path will also be supported by the TI AIC33 CODEC, using the LINE1LP pin on the IC. The LINE1LP is multiplexed with the MIC3R within the CODEC, and selected as the input when the external microphone path is chosen as the TX audio source. Similar to the internal microphone signals, the TI CODEC amplifies and samples the external microphone signal. The digital data is also sent to the OMAP1710's DSP through the McBSP1 port using the audio SSI bus.

3.2.5.2 RX Audio path

The RX audio path supports two internal speakers and one external speaker.

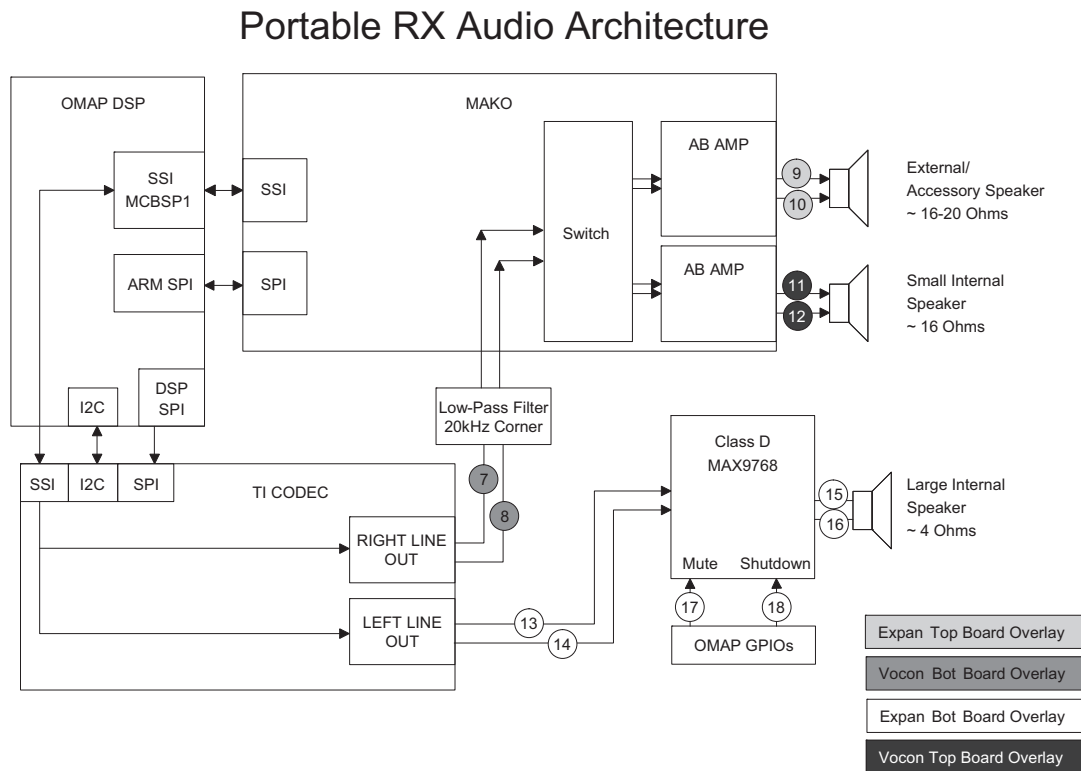


Figure 3-39. VOCON RX Audio Path Block Diagram

The RX internal audio path begins with the digital audio samples being sent from the OMAP1710's McBSP1 port to the TI AIC33 CODEC through the audio SSI bus. As in the TX audio paths, the MAKO IC is also used to generate the clock and frame sync for the audio SSI bus. Once the audio data is received by the TI CODEC, the CODEC proceeds to convert the data to analog and implements the volume control. The analog signal in the CODEC is then fully differential and gets sent out to the power amplifier through pins LEFT_LOP and LEFT_LOM. The Maxim MAX9768 Class D audio power amplifier accepts a fully differential analog input signal and will also drive a 4 Ohm loudspeaker differentially.

The external speaker path is almost identical to the internal speaker path. The digital audio data is sent from the OMAP1710's McBSP1 port to the TI AIC33 CODEC for digital to analog conversion and volume control. The external speaker path uses the MAKO IC's class-AB audio power amplifier to drive 16 Ohm to 28 Ohm external speakers. The input to MAKO IC's audio power amplifier is fully differential and comes from the TI CODEC's RIGHT_LOP and RIGHT_LOM. The output of the MAKO IC's audio amplifier is also fully differential and available on pins EXT_SPKR_P and EXT_SPKR_M.

3.2.6 User Interface

3.2.6.1 Control Top

The control top contains an On/Off & Volume Knob (S3), a sixteen-position Channel/Frequency Switch with programmable concentric two-position switch (S2), a three-position (A,B,C) Programmable Toggle Switch (S4), and an orange programmable Top Button (S1). The Control Top also includes a TX/RX LED that is solid amber upon receive, red on PTT, and blinks amber on secure TX/RX. Additionally, the Control Top includes a transfective FSTN display. Control Top components are mounted on a flex circuit which connects to controller board connector J2101.

When the On/Off & Volume Knob (S3) is switched to the 'ON' position, the switch is grounded and MECH_SW is pulled low. MECH_SW is an input to MAKO (U15). The logic low input enables an external FET (Q2) gate voltage, FET_ENX, which switches UN_SW_B+ to SW_B+ and turns the radio on. Volume is also controlled through S3 and is an input to MAKO. The VOL signal is connected to a potentiometer biased between ground and 2.775 V (R246) from MAKO. When the volume knob is turned, the VOL signal level is converted to a code word by MAKO's ADC and read by OMAP through SPI.

Switch S4 is the three-position, binary-coded, toggle switch typically used for expanded Zone/Channel Selection. Two outputs of the switch, TG0 and TG1, are biased to 1.875 V. The third output is grounded. Two-bit codewords from the switch are read by OMAP through the CPLD's EMIFS interface and indicate which of the three positions is set.

The orange programmable Top Button (S1) is typically used for emergency. It is also biased to 1.875 V (R140) and is an input (EMERG_PB) to the CPLD. A button press is detected when EMERG_PB is pulled low.

Like the three-position switch, the Frequency Switch (S3) is also binary coded. S3's output pins are connected to GPIO pins of the CPLD which provide a four-bit binary word (signals FREQ_SEL_0, FREQ_SEL_1, FREQ_SEL_2, and FREQ_SEL_3) to OMAP indicating which of the 16 pins of the switch is set. This switch provides an additional output, SEC_CLEAR, which is typically used for coded or clear mode selection. Selecting clear mode pulls this signal to a logic low, and it can be monitored from R2.

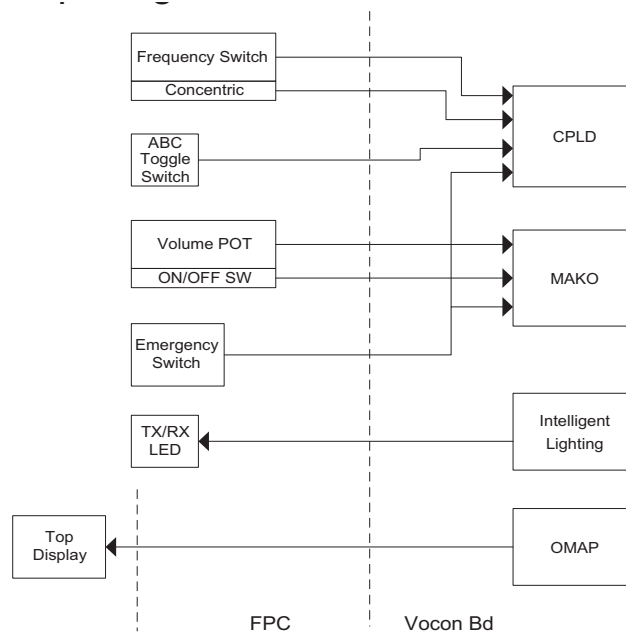


Figure 3-40. Control Top Block Diagram

3.2.6.2 APX 7000/ APX 7000XE LCD Display Modules

3.2.6.2.1 QVGA

The APX 7000/ APX 7000XE radio can have up to 2 displays (QVGA and FSTN) depending upon the particular feature set and radio model ordered. The main Transflective 2.2" color display is a QVGA (240 x RGB x 320) active matrix TFT (Thin Film Transistor) LCD. This display is part of the back chassis subassembly with interconnection passing through the keypad as shown in [Figure 3-43](#). The QVGA (Part no. 72012006001 and 7275620B01) display consists of 2 interfaces for communication. It uses a 3-wire SPI bus (LCD_CLK, LCD_DIN, and LCD_CS) to initialize and program all the internal LCD driver register settings, and an 18-bit RGB interface (I/F) to send the data/image to the display. Each pixel is 18 bits and sent in parallel across the RGB I/F to produce 262 k color capabilities.

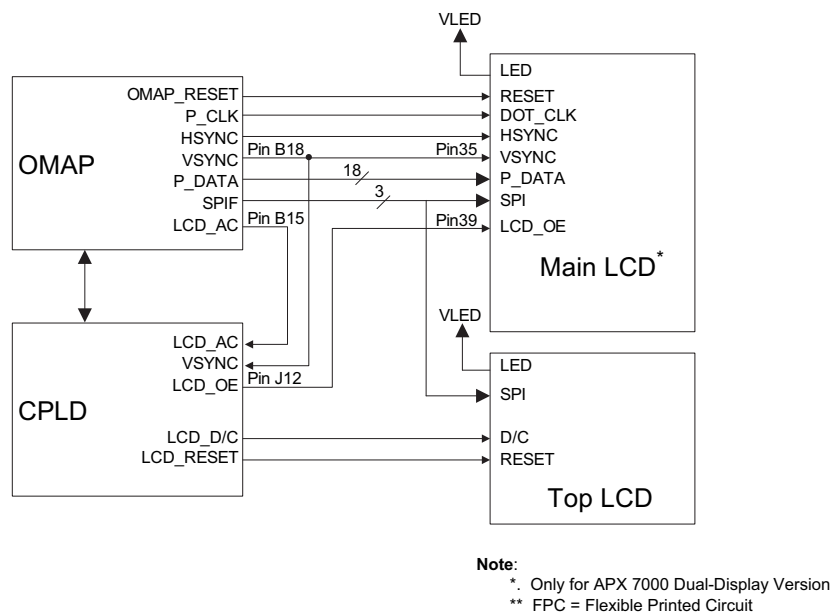


Figure 3-41. Display Circuit Detail Overview Block Diagram (VOCON Board MNCN6200/ MNCN6201)

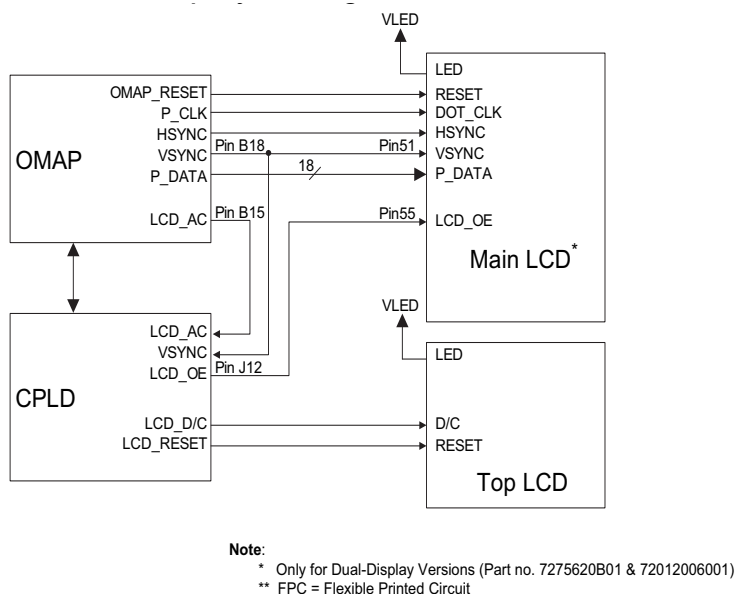


Figure 3-42. Display Circuit Detail Overview Block Diagram (VOCON Board MNCN6202/ MNCN6203)

All the LCD control lines for the RGB I/F (Pixel Clock, Vsync, Hsync, Output Enable), must be running prior to initializing the external LCD Driver via SPI. The timing of these control signals and the 18-bit data bus (LCD_PIX0 to LCD_PIX17) is crucial and a sample timing diagram is detailed in the waveform section. The pixel clock is used by the LCD driver IC as the master clock to control timing internal to the IC and is the main timing of the pixel data. The LCD_VSYNC is the vertical synchronization and signifies the end of each frame of data sent to the display, and its data rate is just above 60 Hz. The LCD_HSYNC is the horizontal synchronization signal and is used to signify the end of the row, and its frequency is around 22 kHz. The LCD_OE signal is the output enable and indicates to the LCD driver when valid data is present on the bus. These signals are generated in the OMAP IC and are routed through resistors on the VOCON board (see [Chapter 5 “Troubleshooting Charts”](#) for resistor description) prior to passing through the keypad flex to the LCD module.

The QVGA LCD Module operates in continuous and internal self-refresh modes. The internal refresh of the display is initiated by setting Output Enable (LCD_OE) high after sending 1 entire frame or more to the display via the RGB interface. The LCD Driver has internal GRAM, such that it can continuously refresh the screen contents. The output enable line (LCD_AC) is routed through the CPLD, as shown in [Figure 3-41](#), to guarantee the appropriate switching time while using internal circuitry between these modes. Basically, the display data will be sent to the module at a rate of 5 times per second as opposed to the LCD Driver's output frame rate to the display of 60 Hz. This solution results in a reduction in data on the traffic controller bus, which lightens the loading on OMAP.

The QVGA (72012006002) display uses the 16-bit Special optimized Screen Interface (SoSSI) for data and commands used a Specially-Optimised Screen Interface (SoSSI) which required control lines from the OMAP (SoSSI.CS, SoSSI.CMD, SoSSI.RD, SoSSI.WR) to send the data and image to the display. The QVGA (72012006002) LCD Module operates using VCC_2.775D (2.775V) and VCC_SW_1.875(1.875V).

An 16-bit parallel bus is used for data and command communication between OMAP's SoSSI interface and LCD driver IC. The F_DISP_DATA_CMD signal indicated the type of data being sent to the driver. A '0' corresponds to command data and a '1' corresponds to display data. Data only travels in one direction, from OMAP to display driver. Therefore, the F_DISP_RW line will always be low. Display data is latched on the falling edge of the F_DISP_RW_EN signal. Data only travels in one direction, from OMAP to display driver. Therefore F_DISP_RW line will always be low. Display data is latched on the falling edge of the F_DISP_RW_EN signal.

The SoSSI interface uses the LCD DMA controller/bus to allow the LCD module to access system memory. Therefore, the transfer of pixel data process will require less CPU processing power. An initiate DMA transfer command is used and display data is transferred to the LCD module automatically without intervention thus offloading the processor.

Prior to the LCD interpreting any commands, the correct display power-up sequence must be initiated. First the VCC_SW_1.875 (1.875 V) and VCC_2.775D (2.775 V) supplies must be at 90% or above threshold and stable for 1 ms, then reset can be asserted high. After OMAP generates the reset out signal (LCD_RST) for the display, the LCD control signals can be sent.

The QVGA LCD module is only intended to operate up to +70°C, and can become permanently damaged if the display is subjected to operational temperatures beyond this value; thus, a temperature cut-off circuit is implemented on the VOCON board to shutoff the display at temperatures above 70°C–75°C. The display will turn on again 3 minutes after the temperature stabilizes below 70°C. The temperature sensor, U6410, for the display cut-off is located near the RF board and is input into Mako A/D Channel 7, pin K12.

For enhanced display readability, the default backlight is set to a dim state while the radio is in Standby mode; however, the backlight turns to full brightness through a button press, call receive, emergency call, and other status indicators. See [Section 3.2.6.3: "Intelligent Lighting"](#) for the display backlight operation.

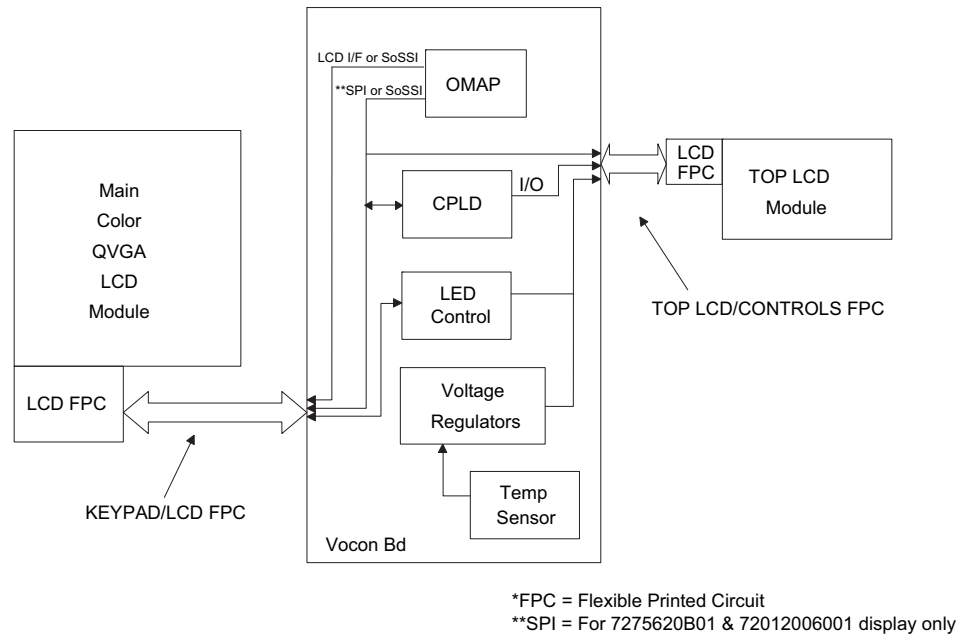


Figure 3-43. Top Level Overview of Lighting Circuit

3.2.6.2.2 FSTN

All APX 7000 and APX 7000XE Radios are equipped with a caller ID (CID) top display. This top display is a 1.1" (for APX 7000)/ 1.2" (for APX 7000XE), Transflective, FSTN (Film compensated Super Twisted Nematic) 32 row x 112 column LCD with black pixels on a light background. This display is a component of the control top sub-assembly with all interconnections passing through control top FPC, as shown in [Figure 3-43](#). The display is controlled via OMAP's 3 wire SPI (CID_CLK, CID_DATA, CID_CS) interface to program the display driver IC registers and send data/image information to the display, as shown in [Figure 3-41](#). The active low chip select line, CID_CS, is sent from the CPLD GPO pin. The TOP_DIS_D_C line indicates whether the data being sent across the SPI bus is register/command settings or if it's data/image information. The display driver contains internal GRAM, which stores the current display content information, and the data/image information is only sent when the display content needs to be updated.

Prior to sending any information to the LCD driver, the proper power-up sequence must be instantiated. First, the VCC_SW_1.875 and VCC_2.775D voltage supplies must be stable for at least 1 ms. Next, the active low reset line, CID_RST, to the LCD driver must see a low pulse of 10 usec or longer prior to communicating to the LCD driver. Then, the register setting information will be sent to the display driver, followed by the image/data information.

The top LCD contains various LEDs for multiple backlight color combinations depending upon the mode of operation. The programmable default backlight setting is off in standby mode, but will illuminate to max brightness during a button push, call receive, receive mode, low battery, out of range, emergency, etc. The details of the top display backlight settings are listed in [Section 3.2.6.3: "Intelligent Lighting"](#). The top display contains 2 parallel side firing white LEDs and 2 parallel Red-Green side firing bi-color LEDs.

3.2.6.3 Intelligent Lighting

The APX 7000/ APX 7000XE radio is equipped with numerous LEDs to provide intelligent lighting features. The VOCON board contains 2 lighting controller devices, which illuminate all the LEDs throughout the radio, as shown in [Figure 3-44](#).

VOCON Board MNCN6200 (Dual-Display)/ MNCN6201 (Top Display):

The boost lighting controller, U2203, provides illumination to the main QVGA color display, and keypad color backlights. The secondary lighting controller, U2201, generates illumination for the top display backlight, TX/RX indicator lamp, and the keypad white backlights. Both lighting controller devices are controlled through OMAPs I2C interface (SCL and SDA). Radio models with the top display only will not have the boost lighting controller and supporting circuitry placed on the VOCON Board (MNCN6201).

VOCON Board MNCN6202 (Dual-Display)/ MNCN6203 (Top Display) :

The lighting controller IC, U2203, provides illumination to the main QVGA color display, and keypad color backlights. The secondary lighting controller, U2201, generates illumination for the top display backlight, TX/RX indicator lamp, and the keypad white backlights. Both lighting controller devices are controlled through OMAPs I2C interface (SCL and SDA). Radio models with the top display only will not have the lighting controller IC and supporting circuitry placed on the VOCON Board (MNCN6203).

Some of the intelligent lighting color schemes are shown in [Table 3-7](#).

Table 3-7. LED Color Codes

Feature	Color
Default	White
Out of Range	Red
Low Battery	Red
Emergency	Amber
Call Received	Green
Call Paged	Green

To save on current drain, a switched input voltage supply circuit, net name VDD_LC, was added as an input to the lighting controllers. The current drain savings occurs while operating in the dim or standby states of operation for the backlights. The input voltage operates on the 3.6 V external switcher supply (VCC_SW_3.6) for low current operations, and switches to the external 5 V switcher (VCC_SW_5) through the P-FET during higher current mode.

3.2.6.3.1 Boost Lighting Controller/ Lighting Controller

VOCON Board MNCN6200 (Only for APX 7000 Dual-Display Version):

The boost lighting controller, U2203, provides backlight functionality for the main color QVGA display, and the multi-colors on the keypad.

The QVGA display has 5 LEDs connected in series, and thus needs a higher voltage to illuminate the LEDs. The voltage output, VCC_SW_20V, going through resistor R2225 generates a 17 volt output boost supply for the display LEDs. The cathode output (negative) of the LEDs is fed back into the lighting controller through resistor R2229. The lighting controller contains a current DAC to control the current and for proper dimming of the LEDs.

The keypad backlighting uses 10 white LEDs and 8 tri-color Red, Green, Amber (RGA) LEDs for illumination. The RGA tri-color LEDs are connected in parallel to the boost lighting controller while the white LEDs are connected to the secondary lighting controller. The RGA LEDs are supplied by the VDD_LC supply and controlled by boost lighting controller through resistors R2222, R2223, and R2224 for Red, Green, and Amber LEDs, respectively.

VOCON Board MNCN6202:

The lighting controller, U2203, provides backlight functionality for the main color QVGA display, and the multi-colors on the keypad.

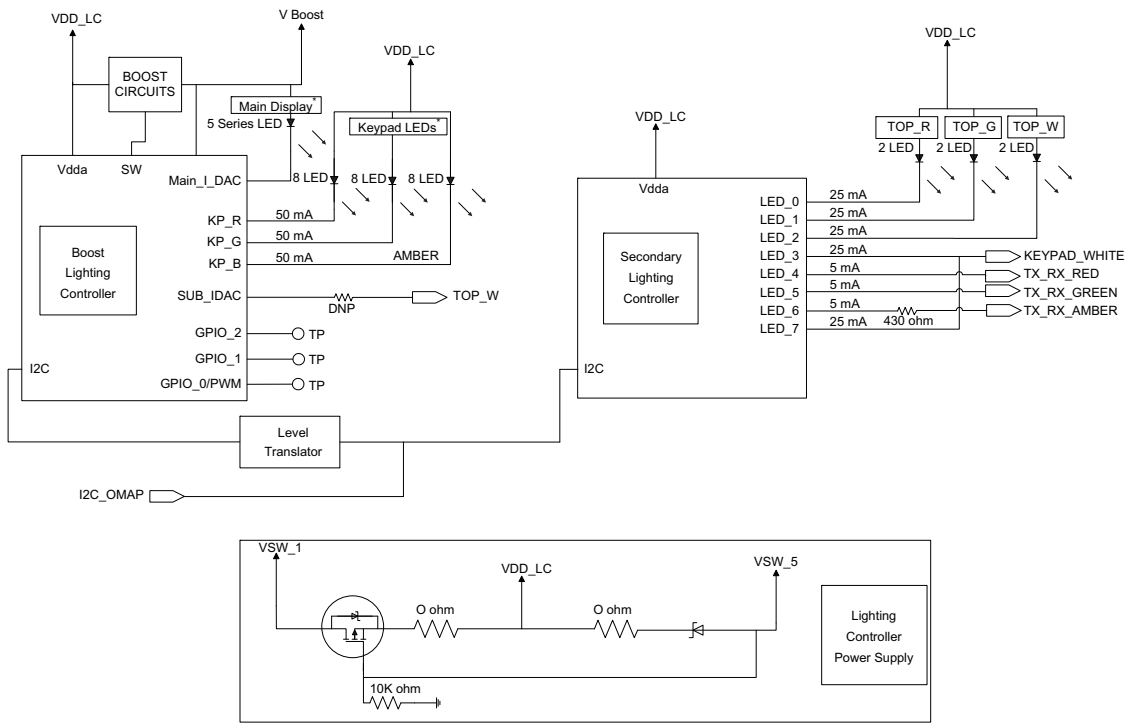
The QVGA display has 5 LEDs connected in parallel, and thus needs 5V voltage from VCC_SW_5 connected to the input (positive) of the LED for illumination. The cathode output (negative) of the LEDs is fed back into the lighting controller through resistor R2229, R2335, R2336, R2337 and R2338. The lighting controller contains a current DAC to control the current and for proper dimming of the LEDs.

The keypad backlighting uses 10 white LEDs and 8 tri-color Red, Green, Amber (RGA) LEDs for illumination. The RGA tri-color LEDs are connected in parallel to the lighting controller while the white LEDs are connected to the secondary lighting controller. The RGA LEDs are supplied by the VDD_LC supply and controlled by boost lighting controller through resistors R2222, R2223, and R2224 for Red, Green, and Amber LEDs, respectively.

3.2.6.3.2 Secondary Lighting Controller

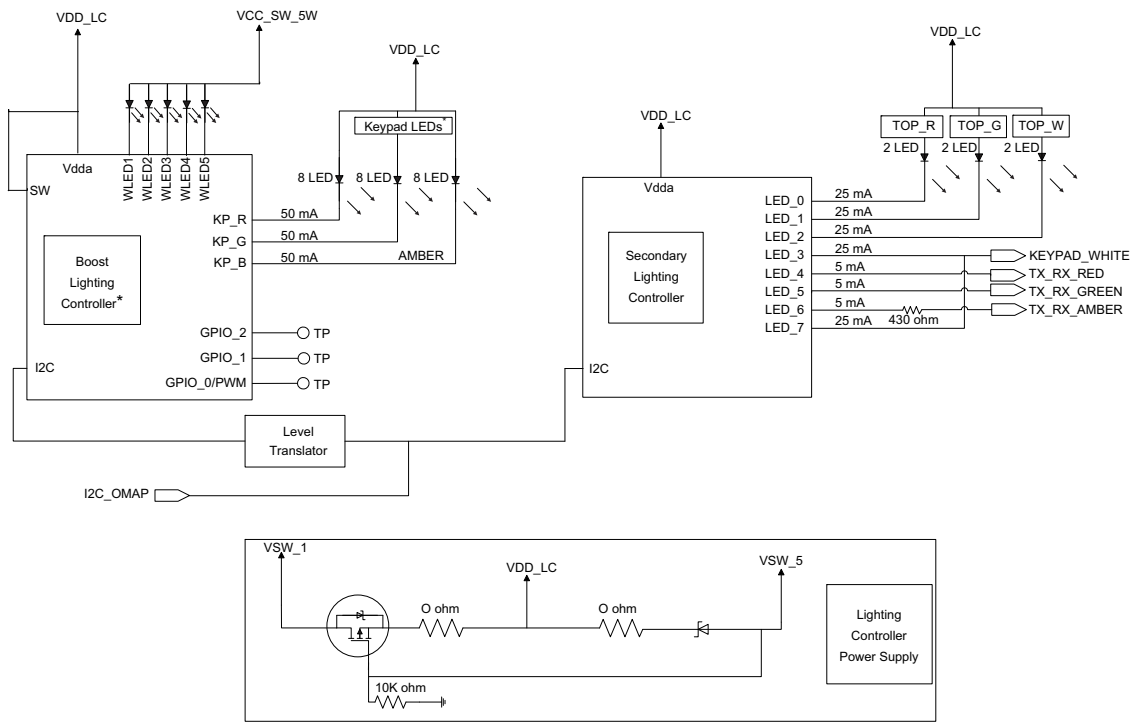
As previously mentioned the secondary lighting controller provides illumination to the top display backlight, keypad white backlight, and Tx/Rx indicator lamp. This lighting controller device uses a PWM output to control the dimming modes of operation for the LEDs. The device is controlled through the I2C interface, however, the I2C interface require an input high voltage between 3 V – 5.5 V, thus the level translator (U2202) is added to the lines to upconvert the high voltage.

[Figure 3-44](#) shows the major connection scheme to this secondary lighting controller. As mentioned in the boost lighting controller section, the 10 white parallel keypad backlight LEDs are controlled through this device. Due to the higher current drain required for the keypad backlight LEDs, 2 PWM outputs as are needed to control the white keypad LEDs. The top display has 2 parallel side firing white LEDs and 2 parallel side firing red and green bi-color LEDs, which are also controlled through the secondary lighting controller. The white, green, and red top display LEDs are connected to the lighting controller PWM outputs through ESD filter inductors L2204, L2203, L2202, respectively. The TX/RX status indicator LED uses the same tri-color red, green, amber (RGA) LED that is placed on the keypad. The status indicator LED outputs are connected to the PWM outputs of the lighting controller through resistive components R2213, R2214, and R2215.



Note:
* Only for APX 7000 Dual-Display Version

Figure 3-44. Lighting Circuit Detail Overview (VOCON Board MNCN6200/ MNCN6201)



Note:
* Only for Dual-Display Version

Figure 3-45. Lighting Circuit Detail Overview (VOCON Board MNCN6202/ MNCN6203)

3.2.6.4 Keypad

The Dual Display Model contains a 21 button keypad, which translates to a 5x5 row and column keypad matrix as shown in Figure 3-46. The keypad also contains LEDs for the backlighting of the keys, which is described in more detail in Section 3.2.6.3: "Intelligent Lighting". Every key is assigned a particular row and column to identify the unique key, as shown in keypad mapping Table 3-8. The keypad flex also contains 2, 6-channel filters that each row and column signal passes through. Each row of the keypad contains an external pull-up resistor, and all the rows are interrupt based inputs to OMAP. The columns are driven low by default in OMAP. When a key is pressed, the corresponding key row and column are shorted together and causes a low level to be input on the corresponding row in OMAP. Upon receiving the row interrupt, the OMAP IC is then programmed to scan the column output to determine which corresponding column was selected that generated the interrupt.

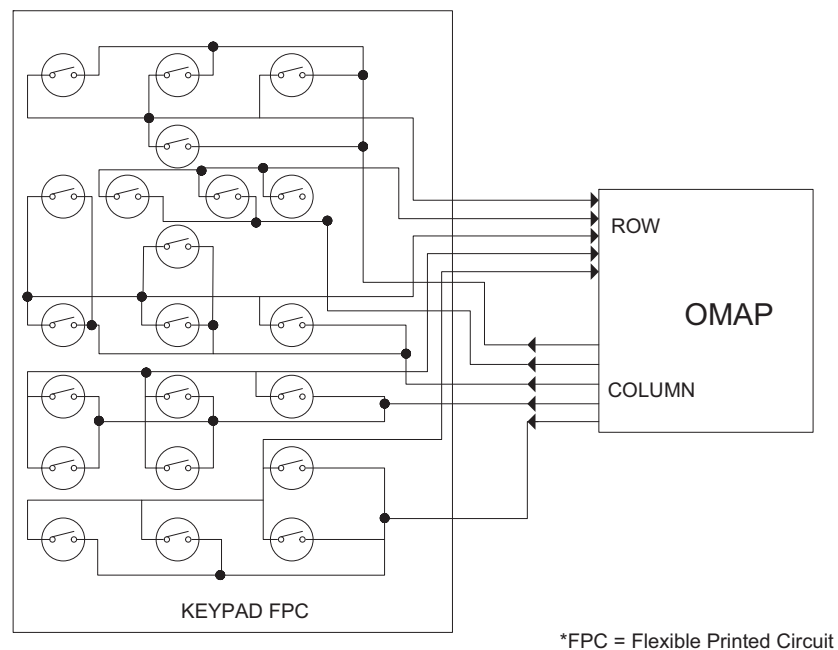


Figure 3-46. Keypad Interface Outline

Table 3-8. Key Map Matrix

Key	Row, Column Map	Key	Row, Column Map
	0, 4		3, 2
	1, 4		2, 0
	2, 4		2, 1
	4, 0		2, 2
	4, 1		1, 0
	0, 3		1, 1
	4, 2		1, 2
	1, 3		0, 0
	2, 3		0, 1

Table 3-8. Key Map Matrix (Continued)

Key	Row, Column Map	Key	Row, Column Map
	3, 0		0, 2
	3, 1		

3.2.6.5 Side Controls

The side controls include three programmable, momentary, pushbutton switches (Side Button 1 [SB1], Side Button 2 [SB2], Top Side Button [MON]) and a Push-To-Talk switch [PTT]. These components interface to the expansion board via connector J2005 through a two-piece, bonded flex circuit. A board-to-board connection routes the side controls signals from expansion board connector P2001 to connector J4001 of the controller board. See [Table 3-9](#) and [Table 3-10](#) for a complete list of pin assignments.

Side button 1 (R266), side button 2 (R268) and the top side button (R135) are inputs to the CPLD and are biased to 1.875V. A button press is detected when the OMAP reads a 'LO' state from the CPLD EMIFS interface. PTT (R265) is connected directly to OMAP and a button press is detected when a LO state is read.

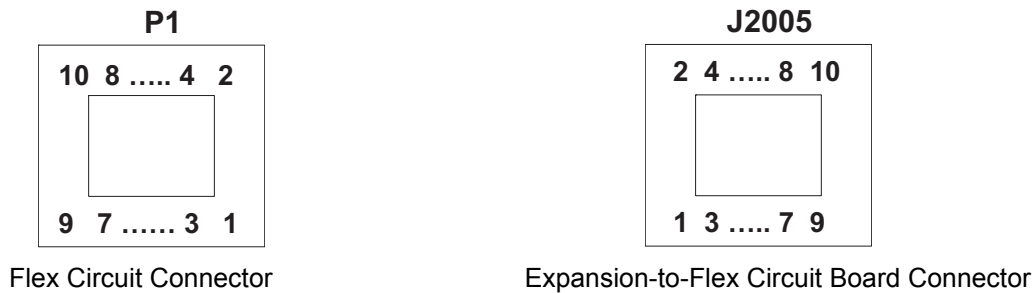


Figure 3-47. Side Button Flex Connector – P1 and J2005

Table 3-9. Side Button Flex Connector Pin Assignment – P1 and J2005

P1 & J2005 PIN ASSIGNMENT	SIGNAL
1	GND
2	GND
3	MON
4	SB2
5	GND
6	GND
7	SB1
8	PTT
9	GND
10	GND

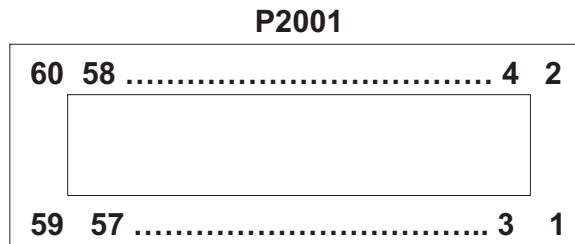


Figure 3-48. Side Button Flex Connector – P2001

Table 3-10. Side Button Flex Connector Pin Assignment – P2001

P2001 PIN ASSIGNMENT	SIGNAL
24	MON
22	SB2
20	SB1
18	PTT

3.2.6.6 GCAI

The GCAI (Global Communications Accessory Interface) connector is a 15 pin interface located on the side of the radio. The connector interfaces the radio with accessories and is used for programming. When the OMAP (U6501) detects that an accessory has been attached through a logic low on GPIO0, it will identify the device by reading the GCAI_ONE_WIRE line. Once the device type is identified, the appropriate signals are multiplexed through MAK0 to the GCAI connector for the particular device. [Figure 3-49](#) is a block diagram of the GCAI interface.

Mounted to the side connector is a printed circuit board that houses ESD protection circuitry and an auxiliary RF connector. The universal side connector interfaces with the expansion board via the P1 connector of a flex circuit and the J2004 connector of the expansion board. A board-to-board connection routes universal side connector signals through expansion board connector P2001 to the controller board. The figures below show the connections and signal assignments from the universal connector to the controller board.

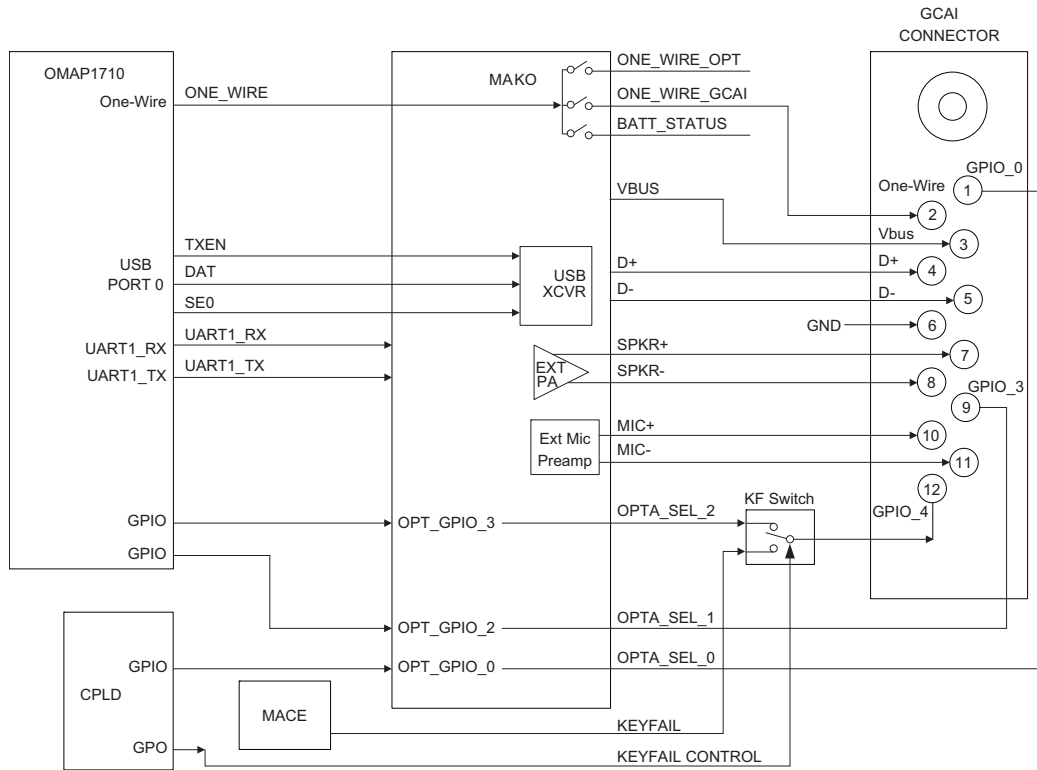


Figure 3-49. GCAI Signal Configuration

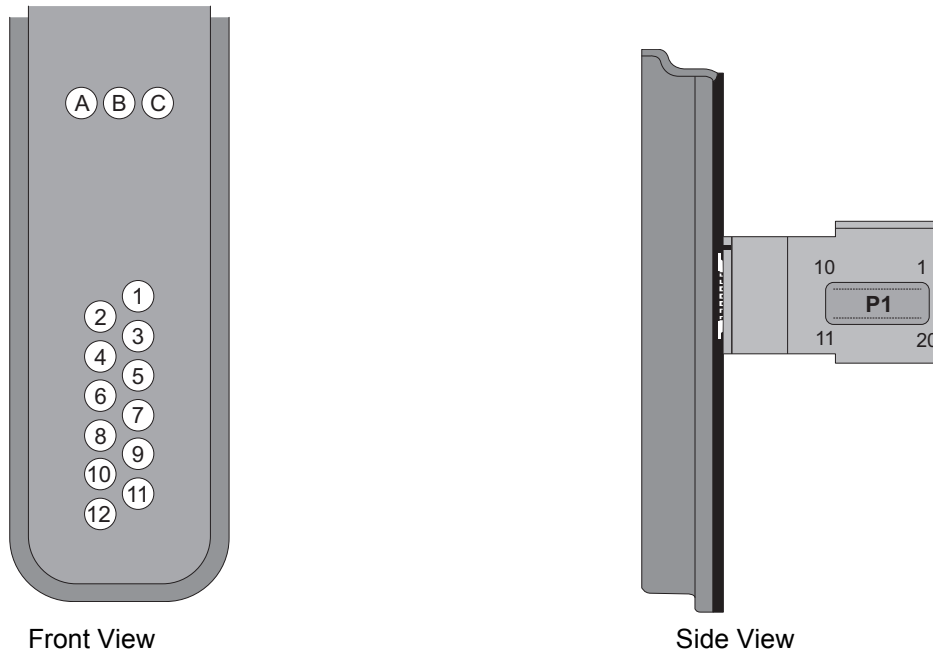


Figure 3-50. GCAI Connector

Table 3-11. P1 Pin Assignment

P1 PIN ASSIGNMENT	SIGNAL
5	GND
6	GCAI_USB_P_GPIO1
7	GCAI_USB_N_GPIO2
9	GCAI_RTS_GPIO_3
10	GCAI_CTS_GPIO_4
11	GCAI_MIC_N
12	GCAI_MIC_P
13	GCAI_SPKR_N
14	GCAI_SPKR_P
16	GCAI_ONE_WIRE
17	GCAI_GPIO0
19	GCAI_VBUS_5V
20	GCAI_VBUS_5V

Table 3-12. GCAI Connector Pin Assignment

PIN ASSIGNMENT	SIGNAL
A	GND
B	GCAI_RF_INPUT
C	GND
1	GCAI_GPIO0 / PwrOn
2	GCAI_ONE_WIRE
3	GCAI_VBUS_5V
4	GCAI_USB_P_GPIO1 / TxDc / FillReq
5	GCAI_USB_N_GPIO2 / RxDc / FillData
6	GND
7	GCAI_SPKR_P / LineOut+
8	GCAI_SPKR_N / LineOut-
9	GCAI_RTS_GPIO_3 / OTG-ID / FillSen
10	GCAI_MIC_P
11	GCAI_MIC_N
12	GCAI_CTS_GPIO_4 / KeyFail / FillClk

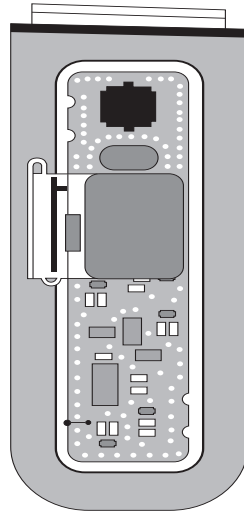
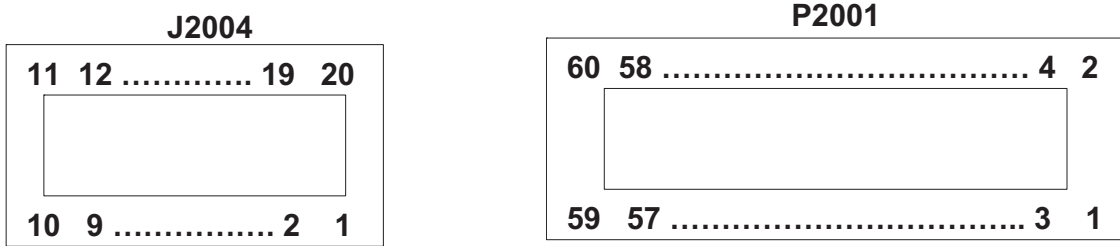


Figure 3-51. GCAI Connector – Back View



Expansion-to-Side Connector Board Connector

Expansion-to-Controller Board Connector

Figure 3-52. Side Button Controller Board Connector – J2004 and P2001

Table 3-13. J2004 Pin Assignment

J2004 PIN ASSIGNMENT	SIGNAL
5	GND
6	GCAI_USB_P_GPIO1
7	GCAI_USB_N_GPIO2
9	GCAI_RTS_GPIO_3
10	GCAI_CTS_GPIO_4
11	GCAI_MIC_N
12	GCAI_MIC_P
13	GCAI_SPKR_N

Table 3-13. J2004 Pin Assignment (Continued)

J2004 PIN ASSIGNMENT	SIGNAL
14	GCAI_SPKR_P
16	GCAI_ONE_WIRE
17	GCAI_USB_P_GPIO0
19	GCAI_VBUS_5V
20	GCAI_VBUS_5V

Table 3-14. P2001 Pin Assignment

P2001	SIGNAL
PIN ASSIGNMENT	
34	GCAI_RTS_GPIO_3
36	GCAI_USB_N_GPIO2
38	GCAI_USB_P_GPIO1
40	GCAI_ONE_WIRE
42	GCAI_CTS_GPIO_4
44	GND
46	GCAI_VBUS_5V
48	GCAI_VBUS_5V
50	GCAI_USB_P_GPIO0
52	GCAI_MIC_N
54	GCAI_MIC_P
56	GND
58	GCAI_SPKR_N
60	GCAI_SPKR_P

3.2.7 RF Interface

The VOCON to RF board interface through connector J1001. See [Figure 3-53](#).

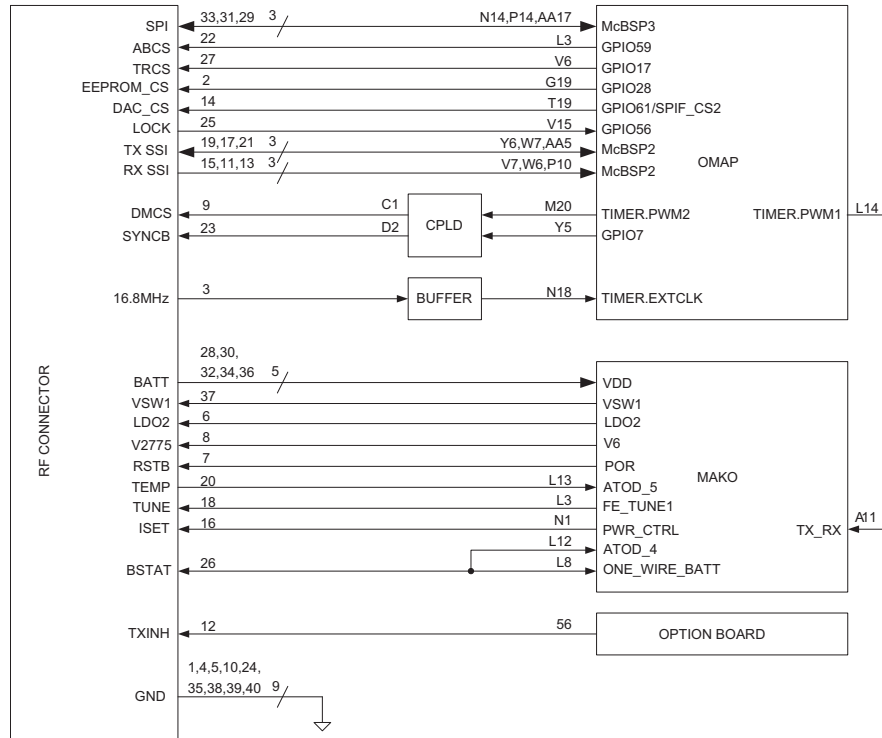


Figure 3-53. VOCON to RF Board Interface

The major interfaces are the TX and RX SSI buses, the SPI Bus with associated chip selects, the synchronization signals (DMCS,SYNCB), the 16.8 MHz clock, MAKO VDDs and I/O's, and the TX Inhibit from the Bluetooth Option Board.

3.2.7.1 TX SSI

The TX SSI interface provides the SSI data from the OMAP's DSP to the Trident IC on the RF board. The interface contains 3 signals, the TX frame sync, TX clock, and TX Data signals. The pin numbers for both the RF connector and OMAP IC are also shown in [Figure 3-53](#).

3.2.7.2 RX SSI

The RX SSI interface provides the SSI data from the Abacus IC on the RF board to the OMAP's DSP. The interface contains 3 signals, the RX frame sync, RX clock, and RX Data signals. The pin numbers for both the RF connector and OMAP IC are shown in [Figure 3-53](#).

3.2.7.3 Synchronization

The DMCS and SYNCB signals are used for synchronization between the RF and VOCON boards. These signals route from the OMAP IC timer outputs through the CPLD to the RF board. The DMCS signal connects to the Trident IC and the SYNCB connects to the ABACUS IC. The pin numbers for both of the signals are shown in [Figure 3-53](#).

3.2.7.4 MAKO Interface

MAKO supplies some DC regulation and I/O support for the RF board. The main battery supply is provided by the RF board and is connected to MAKO. Regulated DC supplies based on this battery voltage are then provided by MAKO to the RF board. These supplies are VSW1, LDO2, and V6. The Power On Reset (POR) reset signal is also provided by MAKO to reset the RF board.

The One-Wire signal from the battery is provided by the RF board to MAKO's One-Wire segmentation circuit, which then connects the One-Wire data path to the OMAP IC. The TUNE, ISET, and TEMP signals are also interfaced to the MAKO IC.

3.2.7.5 TX Inhibit

The TX Inhibit I/O is available at pin 12 for the RF connector and pin 56 of the bluetooth option board connector.

3.2.8 Encryption

The encryption circuitry is placed on the VOCON board and interfaces directly with the VOCON digital circuitry. The encryption circuitry is designed to digitally encrypt and decrypt voice and ASTRO data in the APX7000/ APX 7000XE radio. The Motorola Advanced Crypto Engine (MACE) IC is the main component in the encryption design, and has some discrete support circuitry along with the interfaces to the VOCON IC's (CPLD, OMAP, and Audio CODEC).

NOTE: The MACE IC is NOT serviceable. The information contained in this section is only intended to help determine whether a problem is due to the MACE IC or the radio itself.

Figure 3-54 below shows the Encryption architecture for the APX 7000/ APX 7000XE radio.

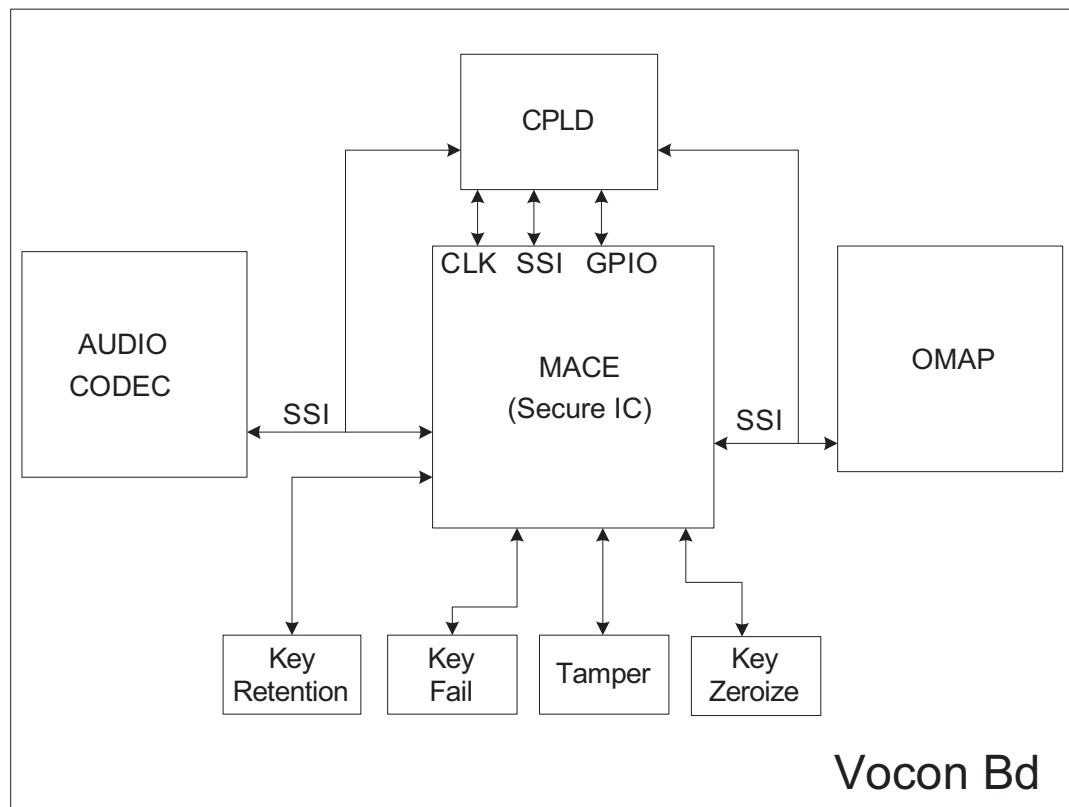


Figure 3-54. APX 7000/ APX 7000XE Encryption Architecture

As shown in [Figure 3-54](#) above, the encryption design consists of 5 blocks:

- MACE IC
- Key Loading
- Key Retention
- Tamper
- Key Zeroize.

3.2.8.1 MACE IC

The encryption module uses the MACE IC and an encryption key variable to perform its encode/decode function. The encryption key variable is loaded into the MACE IC, via the GCAI (side) connector, from a hand-held, key variable loader (KVL). The MACE IC contains the particular encryption algorithm purchased. Table x lists the encryption algorithms and their corresponding kit numbers.

Once the MACE IC has its encryption keys and algorithm, it communicates with the radio's host processor (OMAP) through the Synchronous Serial Interface (SSI) bus. Both commands and audio (clear and encrypted) are sent through the SSI bus. A communications failure between the host processor and the secure module will be indicated as an ERROR 09/10 message on the display.

The MACE IC relies on a 4 MHz clock source provided by the CPLD, the clock is connected to MACE's XIN pin (U5003-P5).

3.2.8.2 Key Loading / Fail

Key variables are loaded into the MACE IC through the keyfail line, which originates from the GCAI connector and connects to MACE's KYLD pin (U5003-B10). This bi-directional data signal is level translated from 5 V at the GCAI to 1.8 V at the MACE IC (through translator U4003).

3.2.8.3 Key Retention

The key variables are retained within the MACE IC's memory (SRAM or FLASH). The keys can be infinite key retention or 30-seconds key retention, depending on how the codeplug is set up. When set to infinite key retention, the keys are stored in the FLASH memory inside the MACE IC. When set to 30-second retention, the keys are stored in SRAM, and will be erased when the radio's battery is removed (after the 30 second delay). The key retention delay circuit controls this time through a comparator op-amp circuit (U5006). When the battery is removed, VSAVE (nominally 2.5 V) will eventually drop to 0V after 30 seconds, which will result in a 0V output from U5006. This output is the input to the CONT_1.875 regulator (U5005), which is nominally 3.3 V. When the regulator's output is 0 V, the keys in MACE's SRAM will be erased.

3.2.8.4 Tamper

The tamper function is intended to erase the encryption keys in a tampering situation. If the radio chassis is opened during operation, the tamper signal, which is normally connected to ground through pogo pin P5001, will be disconnected from ground. This will be sensed by MACE through its tamper pin TPRO (U5003-M2). Once this condition is sensed, the encryption keys will be erased.

3.2.8.5 Key Zeroize

The encryption keys can also be manually erased by holding down the monitor and emergency buttons during radio power-up. These two button inputs both connect to a dual transistor Q5001, which will release the Key_ZEROIZE signal sensed by MACE's TPRO (U5003-M2). Once this condition is sensed (floating high), the encryption keys will be erased.

To troubleshoot the encryption circuitry, refer to the flowcharts in [Chapter 5 “Troubleshooting Charts”](#).

3.2.9 Bluetooth Module Interface

A 60-pin connector (J3001) contains various interfaces from the Vocon Board that are made available to the Bluetooth Option Board.

[Table 3-15](#) shows the various groups of interfaces available at J3001. The interface groups are described in the next section.

Table 3-15. Bluetooth Module Signal Summary

Group	Signals
Power	6
GND	8
One Wire	1
GPIO	5
Camera	17
I2C	2
SDIO	9
SSI	6
USB	3
Type 1 / GPIO	3
Total	60

3.2.9.1 Bluetooth Option Board Signal Groups

From [Table 3-15](#), the Bluetooth Interface is divided into 10 signal groups: Power, Ground (GND), One-Wire, GPIO, Camera, I2C, SDIO, SSI, USB, and Type 1/GPIO.

3.2.9.2 Power / Ground

The power supplies available at the Bluetooth Interface are UNSW_B+, SW_B+, VCC_2.8, and VCC_1.8 (see DC Power Supplies section for details). UNSW_B+ is routed to pin 30 (J3001-30), SW_B+ is routed to pins 27, 29, and 31 (J3001-27, J3001-29, J3001-31), VCC_2.8 is routed to pin 23 (J3001-23), and VCC_1.8 is routed to pin 24 (J3001-24).

The ground pins are pin 1, 2, 25, 26, 28, 34, 37, and 59 at J3001.

3.2.9.3 One-Wire

Pin 39 (J3001-39) provides the One-Wire bus to the bluetooth connector. The One-Wire signal is a bi-directional data signal providing a data path from OMAP's One Wire peripheral (U6302-N20), through MAKO's One-Wire segmentation switch input (U6501-L7) to the MAKO switch output (U6501-M8), and ending at the bluetooth interface.

3.2.9.4 GPIO

Five GPIO signals are available at the bluetooth interface, signals GPIO_0 through GPIO_5. Table 13 shows the source of each of these I/O's, either from the CPLD or the OMAP IC.

Table 3-16. Bluetooth Module IO Summary

GPIO Signal	Bluetooth Conn. (J3001)	CPLD Pin (U6101)	OMAP Pin (U6302)
OPT_BD_GPIO_0	42	M13	
OPT_BD_GPIO_1	41		M14
OPT_BD_GPIO_2	45	P8	
OPT_BD_GPIO_3	22	M8	
OPT_BD_GPIO_4	60	J2	
OPT_BD_GPIO_5	52		Y5

3.2.9.5 Camera

Provisions for an embedded camera have been provided, bluetooth interface pins J3001-3 through J3001-18, and pin J3001-20.

3.2.9.6 I2C

An I2C interface is available, bluetooth interface pins J3001-19 is the SCL signal and J3001-21 is the SDA signal. The I2C_SCL is the clock signal, and the I2C_SDA is the data signal.

3.2.9.7 SDIO

A dedicated SDIO interface is available at the bluetooth interface connector (J3001). This SDIO interface connects to the OMAP IC's MMC1 peripheral port. The even pins from J3001-36 through J3001-50 are dedicated to this port. Table 3 shows the signal names, along with the bluetooth interface and OMAP IC pin assignments.

Table 3-17. Bluetooth Module MMC Signals

SDIO Signal	Bluetooth Conn. (J3001)	OMAP Pin (U6302)
MMC_CLK	36	V11
MMC_CLKIN	38	M15
MMC_CMD	40	P11
MMC_DAT0	42	R11
MMC_DAT1	44	V10
MMC_DAT2	46	W10
MMC_DAT3	48	W11
MMC_CMD_DIR	50	P19
MMC_DAT_DIR1	54	P18

3.2.9.8 SSI

The audio SSI bus is available at the bluetooth interface connector (J3001). The SSI_FS (J3001-55), SSI_CLK (J3001-57), SSI RX data signals (J3001-47 and J3001-49), and SSI TX data signals (J3001-51 and J3001-53) are routed to the connector.

3.2.9.9 USB

A dedicated USB interface is available at the bluetooth interface connector (J3001). The USB_DM (J3001-33), USB_DP (J3001-35), and USB_VBUS (J3001-32) are routed to the connector. This USB interface connects to the OMAP IC's USB 1 Port through the MAKO IC. The signal path is from OMAP's 3 pin interface, USB1_TXEN (U6302-W16), USB1_DAT (U6302-W14), and USB1_SE0 (U6302-R13) to MAKO's USB transceiver (U6501- B8,C8, and D8). MAKO's USB differential output is USB1_DP (U6051-N6) and USB1_DM (U6501-P7), which connects to the bluetooth interface pins. The VBUS to the bluetooth interface is supplied by MAKO's VBUS 1 supply (U6501-H10) through transistor Q6502.

3.2.9.10 Type 1 / GPIO

Provisions for a future Type 1 encryption interface have been provided, which requires the TX_Inhibit (J3001-56), Key_Zeroize (J3001-58) and Wakeup (J3001-41) signals

The 60-pin connector (J3001) pin definition is summarized in [Table 3-18](#) below.

Table 3-18. J3001 Bluetooth Interface Connector

Signal Name	Group	PHY	PHY	Group	Signal Name
GND	GROUND	1	2	GROUND	GND
MCLK	CAMERA	3	4	CAMERA	DATA_0
PCLK	CAMERA	5	6	CAMERA	DATA_1
OE	CAMERA	7	8	CAMERA	DATA_2
LINE_VALID	CAMERA	9	10	CAMERA	DATA_3
FRAME_VALID	CAMERA	11	12	CAMERA	DATA_4
Flash Mode	CAMERA / FLASH	13	14	CAMERA	DATA_5
RESET	CAMERA	15	16	CAMERA	DATA_6
PWRDN	CAMERA	17	18	CAMERA	DATA_7
I2C_SCL	I2C	19	20	CAMERA / FLASH	FLASH_PWM
I2C_SDA	I2C	21	22	GPIO 3	GPIO
VCC_2.8	PWR	23	24	PWR	VCC_1.8
GND	GROUND	25	26	GROUND	GND
SW_B+	PWR	27	28	GROUND	GND
SW_B+	PWR	29	30	PWR	UNSW_B+
SW_B+	PWR	31	32	PWR	USB_VBUS
USB_DM	USB	33	34	GROUND	USB_VBUS (GND)
USB_DP	USB	35	36	SDIO	MMC_CLK
GND	GROUND	37	38	SDIO	MMC_CLKIN
ONE_WIRE	OW	39	40	SDIO	MMC_CMD
GPIO_1 / Wakeup	GPIO / TYPE 1	41	42	SDIO	MMC_DAT0
GPIO_0 / Reset Out	GPIO	43	44	SDIO	MMC_DAT1
GPIO_2	GPIO	45	46	SDIO	MMC_DAT2
SSI_RXD_B	SSI	47	48	SDIO	MMC_DAT3
SSI_RXD_R	SSI	49	50	SDIO	MMC_CMD_DIR
SSI_TXD_B	SSI	51	52	GPIO 5	GPIO
SSI_TXD_R	SSI	53	54	SDIO	MMC_DAT_DIR1
SSI_FS	SSI	55	56	TX_Inhibit	TYPE 1
SSI_CLK	SSI	57	58	Key_Zeroize	TYPE 1
GND	GROUND	59	60	GPIO 4	GPIO

3.3 Global Positioning System (GPS)

The GPS architecture employs a single chip GPS receiver (U2206) which decodes GPS signals at 1575.42 MHz. It is capable of producing a final position solution including full tracking and data decode capability. The GPS receiver will operate in the autonomous mode only.

The GPS signals are received by the main RF/GPS combination antenna. The GPS signal is diplexed at the antenna port via a series resonant network, C1309 and L1305, which provides a very low capacitive load to the transceiver. The signal is routed through a GPS LNA, U1304, (and a SAW filter, FL1301 for VHF/700–800 MHz (rev. E kit and above), UHF1/700–800 MHz, UHF1/VHF, UHF1/UHF2, UHF2/700–800 MHz, and UHF2/VHF radios), and its output is applied to the RF-Controller interface connectors (P101 to J1001) where it is eventually routed to the expansion board via the J4001 and P2001 connectors for processing by the GPS IC. Additional GPS diplexing components include C1150, L1114, C1122, and L1103 which provide proper termination at the Peregrine switch, U1102, output to minimize GPS signal leakage at the antenna port tap point at C1301.

NOTE: The enable signal for this LNA is generated by the GPS IC and DC coupled onto the GPS RF signal which goes through the RF-Vocon-Expansion Interconnect.

When the GPS signals reach the expansion board, they go through an unbalanced SAW filter (FL2205), low noise amplifier (U2217), and a balanced SAW filter (for MHLN6977 Expender Board) and unbalanced SAW filter (for MHLN7035 Expender Board), FL2207, which then connects to the GPS IC's RF inputs (U2206 pins A5 and B5 for MHLN6977 and pins L2 for MHLN7035). Once the GPS locks on to 3 – 4 satellites, it can then compute a position fix. The radio's main processor can communicate with the GPS IC (U2206) via UART2.

The GPS receiver is setup in an autonomous one track always (OTA) mode, also known as continuous navigation. This means the GPS will continuously track satellites for as long as the radio is powered to ensure the best possible accuracy. In the event the radio loses visibility of the satellites due to terrain or environmental factors such as driving through a tunnel or entering a building, the GPS will temporarily lose its position fix. A power savings algorithm will then cycle the GPS in and out of a sleep mode at approximately 90 second intervals until the radio has moved back into an environment where GPS signals are present.

The user will be able to view the current latitude, longitude, and time/date stamp on the radio's front display (Dual-Display Version Only). The radio can also be configured to send its' location to the system at predetermined intervals (LRRP). Depending on system options, the user may be able to enable/disable the GPS receiver.

3.3.1 Power

- The GPS RF and IO supplies are powered by a 1.8V LDO (U2270)
- The GPS Core supply is powered by a 1.2V LDO (U2284)
- The LNA (U2217) and TCXO (Y2204) are powered by a 2.8V LDO (U2220)
- The LNA (U1304) is powered by a 3.0V LDO (U201)

3.3.2 Clocks

- The 32kHz RTC input (U2206 pin D1 for MHLN6977 and pin H6 for MHLN7035) originates from CPLD IO74 (U6101 pin E2)
- The 26MHz reference clock input (U2206 pin D4 for MHLN6977 and pin H6 for MHLN7035) originates from a discrete TCXO (Y2204)

3.3.3 I/O

- The GPS reset (U2206 pin C1 for MHLN6977 and pin D5 for MHLN7035) originates from CPLD IO91 (U6101 pin D12)

- The GPS TX output (U2206 pin J6 for MHLN6977 and pin F5 for MHLN7035), connects to OMAP UART2_RX (U6302 pin R9) – TP2205
- The GPS RX input (U2206 pin K6 for MHLN6977 and pin E3 for MHLN7035) connects to OMAP UART2_TX (U6302 pin M18) – TP2206

NOTE:

- SAW filter FL1301 is used by all APX7000/ APX 7000XE radios with expander board HLN7035A.

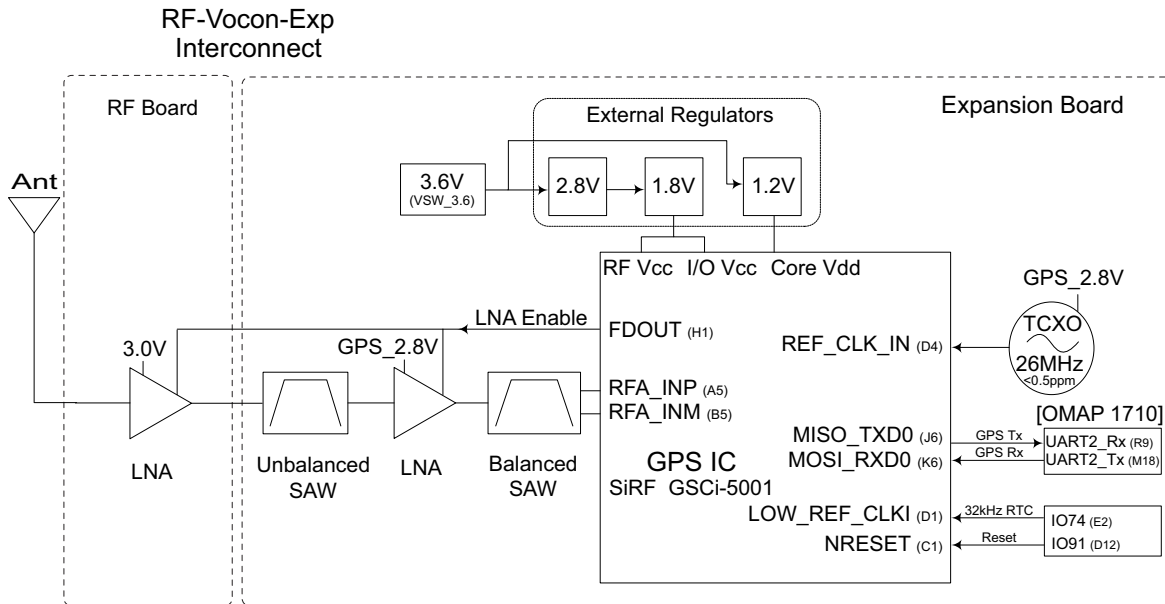


Figure 3-55. GPS Block Diagram (VHF/700–800 MHz) – Expander Board MHLN6977A

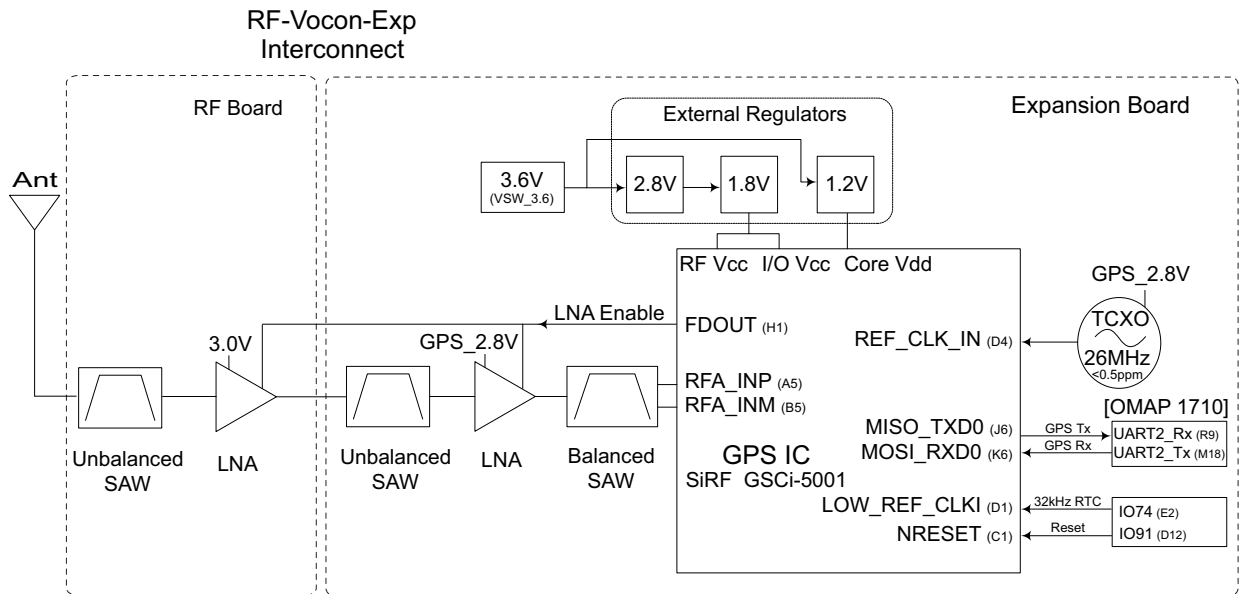


Figure 3-56. GPS Block Diagram (UHF1/700–800 MHz, UHF1/VHF, UHF1/UHF2, UHF2/700–800 MHz, and UHF2/VHF) – Expander Board MHLN6977

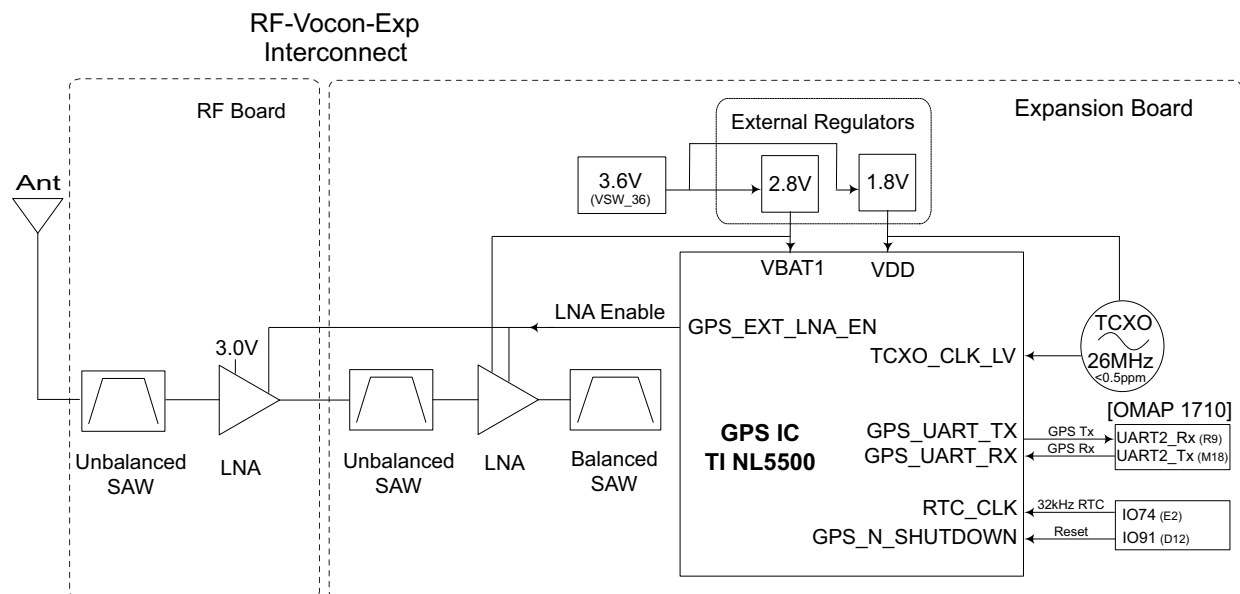


Figure 3-57. GPS Block Diagram (VHF/700–800 MHz, UHF1/700–800 MHz, UHF2/700–800 MHz, UHF1/VHF, UHF2/VHF, and UHF1/UHF2) – Expander Board MHLN7035A

Chapter 4 Troubleshooting Procedures

The purpose of this chapter is to aid in troubleshooting problems with the ASTRO APX 7000/APX 7000XE radio. It is intended to be detailed enough to localize the malfunctioning circuit and isolate the defective component. It also contains a listing of service tools recommended for PC board repair at the component level.



Caution

Most of the ICs are static sensitive devices. Do not attempt to disassemble the radio or troubleshoot a board without first referring to the following Handling Precautions section.

4.1 Handling Precautions

Complementary metal-oxide semiconductor (CMOS) devices, and other high-technology devices, are used in this family of radios. While the attributes of these devices are many, their characteristics make them susceptible to damage by electrostatic discharge (ESD) or high-voltage charges. Damage can be latent, resulting in failures occurring weeks or months later. Therefore, special precautions must be taken to prevent device damage during disassembly, troubleshooting, and repair. Handling precautions are mandatory for this radio, and are especially important in low-humidity conditions. DO NOT attempt to disassemble the radio without observing the following handling precautions.

1. Eliminate static generators (plastics, Styrofoam, etc.) in the work area.
2. Remove nylon or double-knit polyester jackets, roll up long sleeves, and remove or tie back loose-hanging neckties.
3. Store and transport all static-sensitive devices in ESD-protective containers.
4. Disconnect all power from the unit before ESD-sensitive components are removed or inserted unless otherwise noted.
5. Use a static-safeguarded workstation, which can be accomplished through the use of an anti-static kit (Motorola part number 01-80386A82) or equivalent. This kit includes a wrist strap, two ground cords, a static-control table mat and a static-control floor mat.

4.2 Recommended Service Tools

Table 4-1 lists recommended service tools that can be used for PC board repairs at the component level. For listings of additional service tools, service aids, and test equipment that are recommended for all levels of service, refer to the APX 7000/ APX 7000XE basic service manual (see “[Related Publications](#)” on page ix).

Table 4-1. Recommended Service Tools

Motorola Part Number	Description	Application
1110027B23	Speaker Module Seal Lubricant	Used to ensure good sealing of the Speaker Module to the Main Chassis.
5880384G68	SMA to BNC Adapter	Adapts radio's antenna port to BNC cabling of test equipment.
66009254001	APX 7000/ APX 7000XE Battery Adapter	Used in place of battery to connect radio to an external power supply. Requires RLN4510_.
66009255001	Grille Eliminator	Special tool used when pressure testing the radio. Replaces the radio grille to seal the port vent.
66009256001	Volume Potentiometer Outer Spanner Bit	Used to assemble and disassemble the spanner nut on the volume potentiometer.
66009258001	Antenna Spanner Bit	Used to assemble and disassemble the spanner nut on the antenna bushing.
66009259001	Vacuum Adapter	Submersible radios only. Connects the vacuum/pressure hose to the radio.
66009260001	Board Analysis Fixture	Special fixture that allows radio's internal board to be mounted externally. Provides easy access to electronic circuits, required for board-level troubleshooting.
NLN9839_	Vacuum Pump Kit	Submersible radios only. Vacuum pump with gauge and vacuum hose. Requires 66009259001 Adapter Kit.
NTN4265_	Pressure Pump Kit	Submersible radios only. Pressure pump with gauge and pressure hose. Requires 66009259001 Adapter Kit.
RVN5224_	Customer Programming Software (CPS) and Tuner Software	CPS allows customer-specific programming of modes and features. Tuner software required to perform alignment of radio parameters.
PMKN4012_	Programming Cable	Used to program the radio through Customer Programming Software and Tuner Software.
PMKN4013_	Programming/Service Cable	Used to program and service the radio through Customer Programming Software and Tuner Software.
RLN4510_	7.5 Volt Universal Battery Eliminator	Used in conjunction with the 66009254001 to adjust the supply voltage to 7.5 Vdc. Allows a multimeter to be attached for monitoring and adjusting voltage and current levels.
RLN4460_	Portable Test Set	Used for radio performance checks. Connects to radio's universal connector and allows remote switching and signal injection/outputs for test equipment measurements.

4.3 Standard Bias Table

Table 4-2 outlines some standard supply voltages and system clocks which should be present under normal operation. These should be checked as a first step to any troubleshooting procedure.

Table 4-2. Standard Operating Bias – DC Voltages

Name	Reference	Description	Level
MECH_SW	F_MECH_SW	ON/OFF Switch. Radio on when GND	GND
UNSW_B+	F_UNSW_B+	Radio Battery Voltage	9-6V
SW_B+	R6505_6	Radio Supply Voltage	9-6V
V_SAVE	C6538_6	LDO Output Present When Battery is Attached	2.5V
VCC_1.875	C4001_4	LDO Output	1.875V
VCC_1.55	R6561_6	LDO Output	1.55V
VCC_2.775D	R4011_4	LDO Output	2.775V
VCC_2.775	R6563_6	LDO Output	2.775V
VCC_2.8	R6564_6	LDO Output	2.8V
VCC_5.0A	R6565_6	LDO Output	5.0V
VCC_3.3	R6566_6	LDO Output	3.3V
VCC_3.0A	R6567_6	LDO Output	3.0V
VCC_SW_1.8	R2302_2	Switcher Output	1.875V
VCC_SW_1.4	E6502_6	Switcher Output	1.4V
VCC_SW_3.6	C6561_6	Switcher Output	3.6V

Table 4-3. Standard Operating Bias – Clock Sources

Clock Source	Reference	Description	Frequency
Y6501	R6578, R6572	MAKO 24MHz & tapped into CPLD	24.576MHz
Y6502	C6541	MAKO RTC	32.768KHz
Y6601	C6601	OMAP CPU Clock	12MHz
U6302	TP6307 and TP6308	DDR Clocks (Complementary signals)	96MHz
U6101	R6113	MACE Clock	4MHz
U6101	R6115	GPS RTC clock	32.768KHz
Y701 (RF board)	R6218	RF Freq synth IC (Abacus) TCXO	16.8MHz

4.4 Power-Up Self-Check Errors

Each time the radio is turned on, the MCU and DSP perform a series of internal diagnostics. These diagnostics consist of checking such programmable devices as the FLASH ROMs, the EEPROM, and SRAM devices.

Problems detected during the power-up self-check routines are presented as error codes on the radio's display. For non-display radios, the problem is presented at power up by a single, low-frequency tone. [Table 4-4](#) lists possible error codes, a description of each error code, and a recommended corrective action.

Table 4-4. Power-Up Self-Check Error Codes

Error Code	Description	Corrective Action
01/02	FLASH ROM Codeplug Checksum Non-Fatal Error	Reprogram the codeplug
01/12	Security Partition Checksum Non-Fatal Error	Send radio to depot
01/20	ABACUS Tune Failure Non-Fatal Error	Turn the radio off, then on
01/22	Tuning Codeplug Checksum Non-Fatal Error	Send radio to depot
01/81	Host ROM Checksum Fatal Error	Send radio to depot
01/82	FLASH ROM Codeplug Checksum Fatal Error	Reprogram the codeplug
01/88	External RAM Fatal Error – Note: Not a checksum failure	Send radio to depot
01/90	General Hardware Failure Fatal Error	Turn the radio off, then on
01/92	Security Partition Checksum Fatal Error	Send radio to depot
01/93	FLASHport Authentication Code Failure	Send radio to depot
01/98	Internal RAM Fail Fatal Error	Send radio to depot
01/A2	Tuning Codeplug Checksum Fatal Error	Send radio to depot
02/81	DSP ROM Checksum Fatal Error	Send radio to depot
02/88	DSP RAM Fatal Error – Note: Not a checksum failure	Turn the radio off, then on
02/90	General DSP Hardware Failure (DSP startup message not received correctly)	Turn the radio off, then on
09/10	Secure Hardware Error	Turn the radio off, then on
09/90	Secure Hardware Fatal Error	Turn the radio off, then on

Note: *If the corrective action does not fix the failure, send the radio to the depot.*

4.5 Power-Up Self-Check Diagnostics and Repair (Not for Field Use)

Table 4-5 lists additional action items that can be used for the diagnosis and resolution of the error codes listed in Table 4-4 on page 4-4.

Table 4-5. Power-Up Self-Check Diagnostic Actions

Error Code	Diagnostic Actions
01/02	This non-fatal error will likely recover if the radio's power is cycled. In the event that this does not resolve the issue, the radio should be reflashed. If the error remains, send the radio to depot.
01/12	The radio should be sent to the depot for reflashing of the security codeplug.
01/20	Cycling radio power should resolve this issue.
01/22	The radio should be sent to the depot for reflash of the tuning codeplug followed by retuning of the radio.
01/81	The radio should be sent to the depot for reflashing of the host code.
01/82	The radio should be sent to the depot for reflashing of the radio codeplug.
01/88	Reflashing of the radio should first be performed. If this fails to resolve the issue, send the radio to depot.
01/90	Cycle power to radio. Continued failure indicates a likely IC failure. In this event, radio should be sent to the depot for isolation and repair of the problem IC.
01/92	The radio should be sent to the depot for reprogramming of the security codeplug.
01/93	The radio should be sent to the depot for reflashing of the host code.
01/98	Send radio to the depot.
01/A2	The radio should be sent to the depot for reflashing of the tuning codeplug followed by re-tuning of the radio.
02/81	The radio should be sent to the depot for examination.
02/88	Cycle power to the radio. If this does not fix the problem, then the radio should be sent to the depot for reflashing of the DSP code.
02/90	Cycle power to the radio. If this fails to fix the problem, then the radio should be sent to the depot for reflashing of the DSP code.
09/10	Cycle power to the radio. If this fails then follow instructions in the secure hardware failure troubleshooting flowchart.
09/90	Cycle power to the radio. If this fails then follow instructions in the secure hardware failure troubleshooting flowchart.

Notes

Chapter 5 Troubleshooting Charts

This section contains detailed troubleshooting flowcharts. These charts should be used as a guide in determining the problem areas. They are not a substitute for knowledge of circuit operation and astute troubleshooting techniques. It is advisable to refer to the related detailed circuit descriptions in the theory of operation sections prior to troubleshooting a radio.

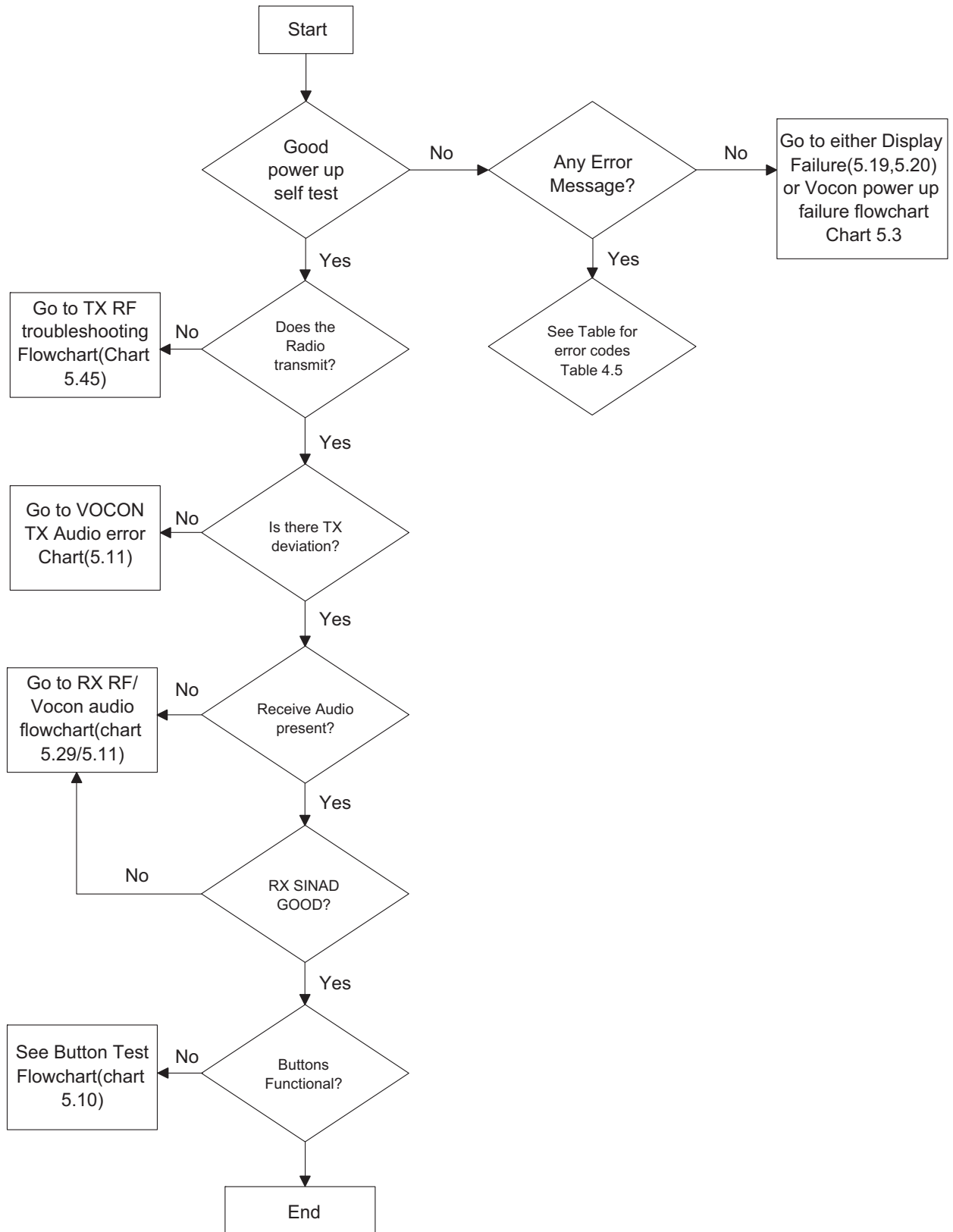
5.1 List of Troubleshooting Charts

Most troubleshooting charts (see [Table 5-1](#)) end up by pointing to an IC to replace. **It is not always noted, but it is good practice to verify supplies and grounds to the affected IC and to trace continuity to the malfunctioning signal and related circuitry before replacing any IC.** For instance, if a clock signal is not available at a destination, continuity from the source IC should be checked before replacing the source IC.

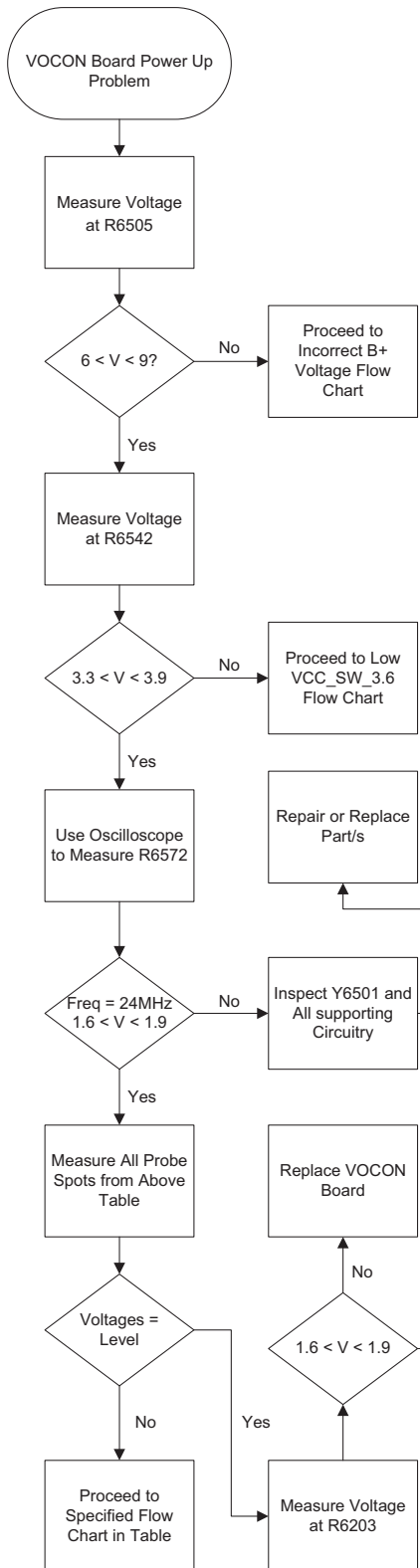
Table 5-1. Troubleshooting Charts List

Chart Title	Page No.
Main Troubleshooting Flowchart	5-2
Power-Up Failure	5-3
DC Supply 5V Failure	5-15
DC Supply 3 Volt Failure	5-16
DC Supply 1.8 Volt Failure	5-17
DC Supply 1.5 Volt Failure	5-18
Top/CID Display Failure	5-19
Main Display Failure	5-20
Volume Set Error	5-22
Channel Select Error	5-23
Keypad Error	5-24
Side Button Error	5-25
VOCON TX Audio Error	5-26
Keyload Failure	5-30
Secure Hardware Failure	5-31
Removable Memory Failure	5-32
RX RF Failure	5-33
FGU Failure	5-45
FGU Power Failure	5-46
GPS Failure	5-47
PA Failure	5-48

5.2 Main Troubleshooting Flowchart

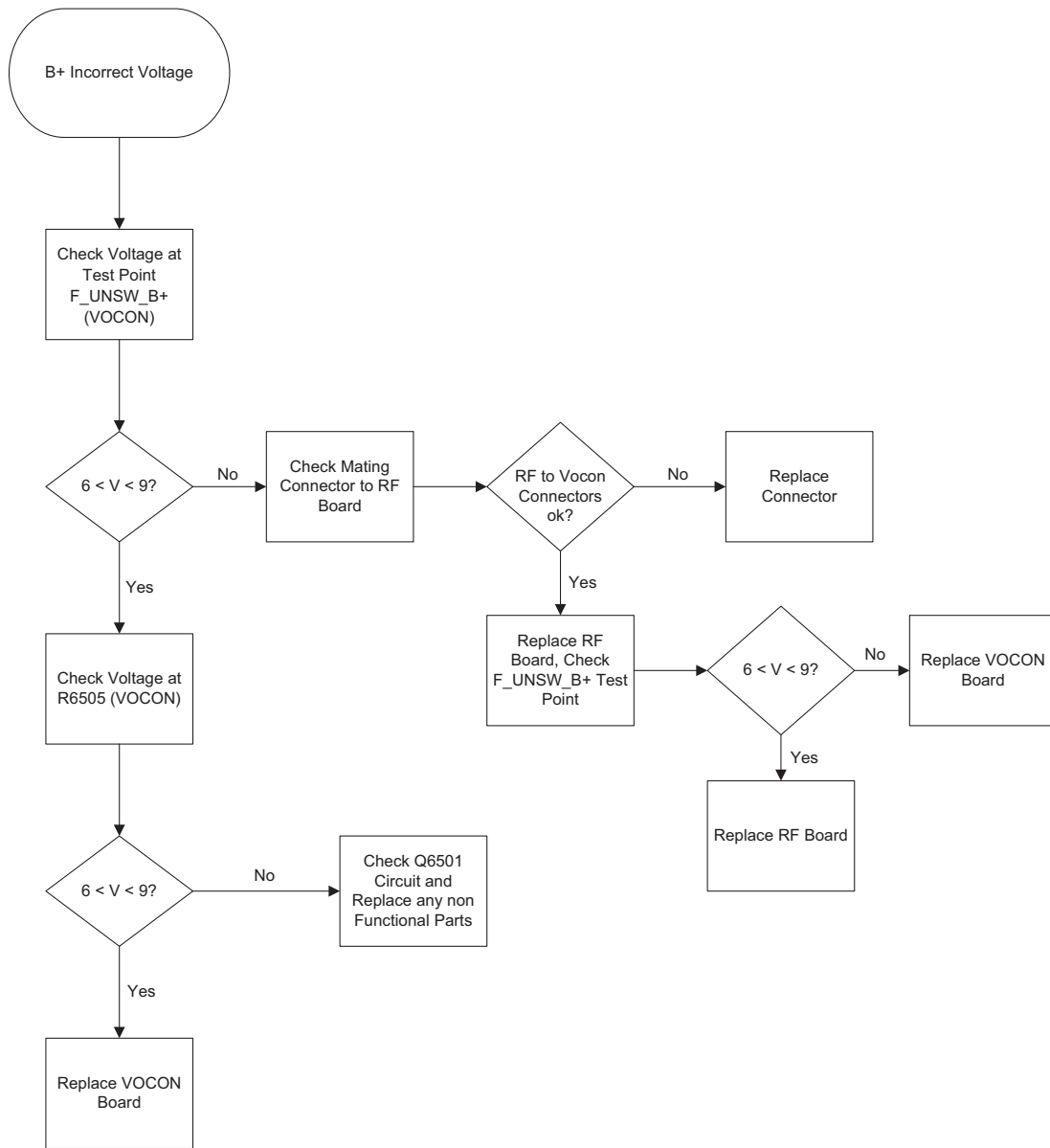


5.3 Power-Up Failure – VOCON Board

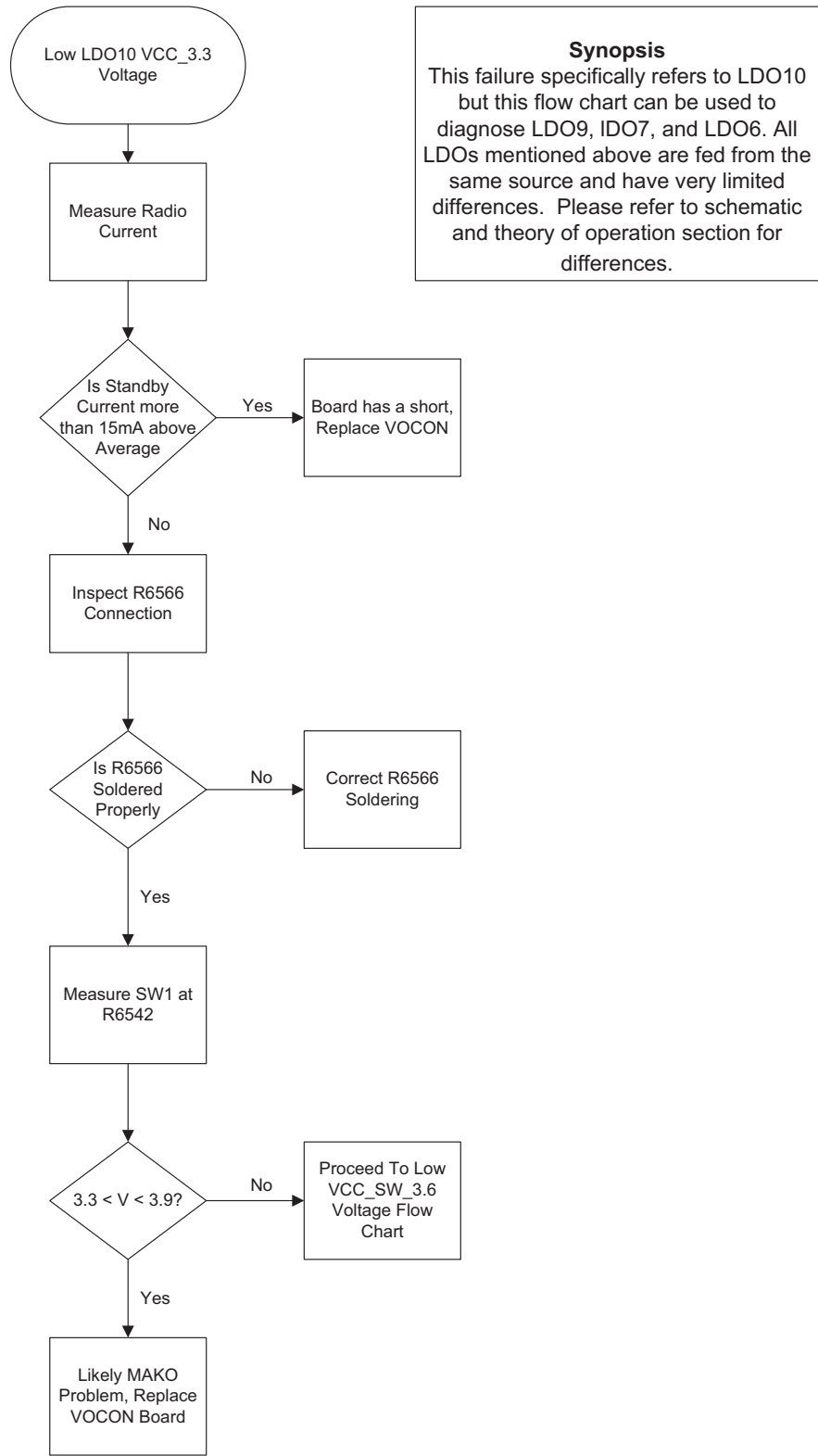


Name	Ref	Description	Level V	Flow Chart
VCC_1.875	C4001_4	LDO Output	1.875±10%	Low LDO3 VCC_1.55 Voltage
VCC_1.55	R6561_6	LDO Output	1.55±10%	Low LDO3 VCC_1.55 Voltage
VCC_2.775D	R4011_4	LDO Output	2.775±10%	Low LDO10 VCC_3.3 Voltage
VCC_2.775	R6563_6	LDO Output	2.775±10%	Low LDO10 VCC_3.3 Voltage
VCC_2.8	R6564_6	LDO Output	2.8±10%	Low LDO10 VCC_3.3 Voltage
VCC_5.0A	R6565_6	LDO Output	5.0±10%	Low LDO8 VCC_5.0A Voltage
VCC_3.3	R6566_6	LDO Output	3.3±10%	Low LDO10 VCC_3.3 Voltage
VCC_3.0A	R6567_6	LDO Output	3.0±10%	Low LDO10 VCC_3.3 Voltage
VCC_SW_3.6	C6561_6	Switching Output	3.6±10%	Low VCC_SW_3.6 Voltage
VCC_SW_1.875	R2302_2	Switching Output	1.875±10%	Low VCC_SW_1.875 Voltage
VCC_SW_1.4	E6502_6	Switching Output	1.4±10%	Low VCC_SW_1.4 Voltage

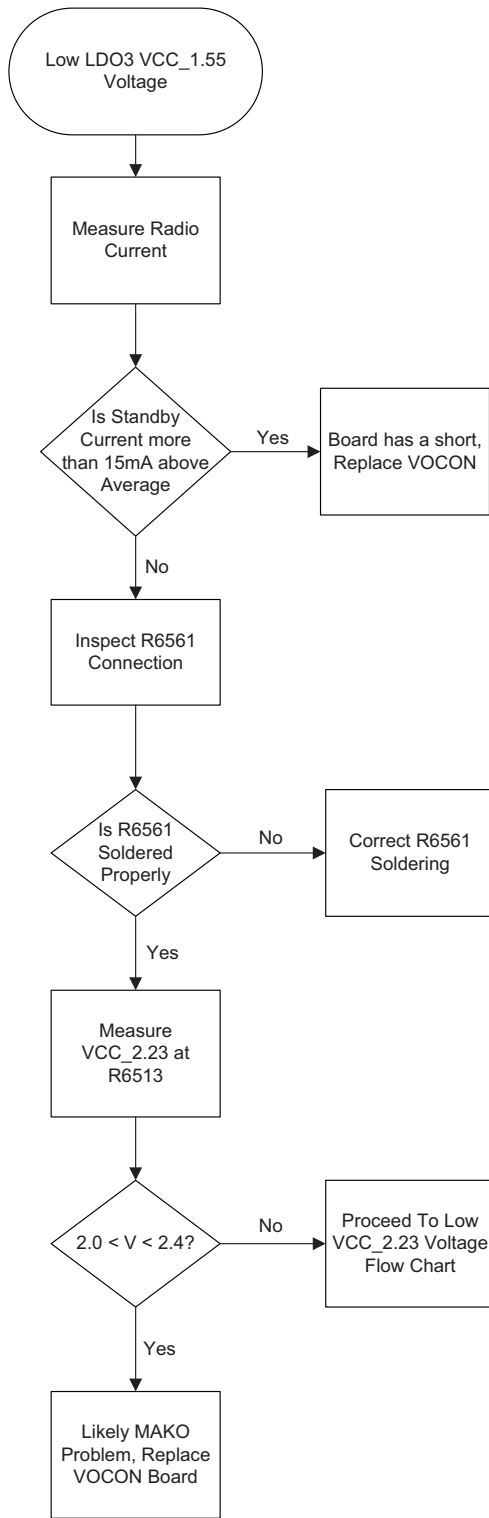
Power-Up Failure – B+ Incorrect Voltage



Power-Up Failure – Low LDO10 VCC_3.3 Voltage

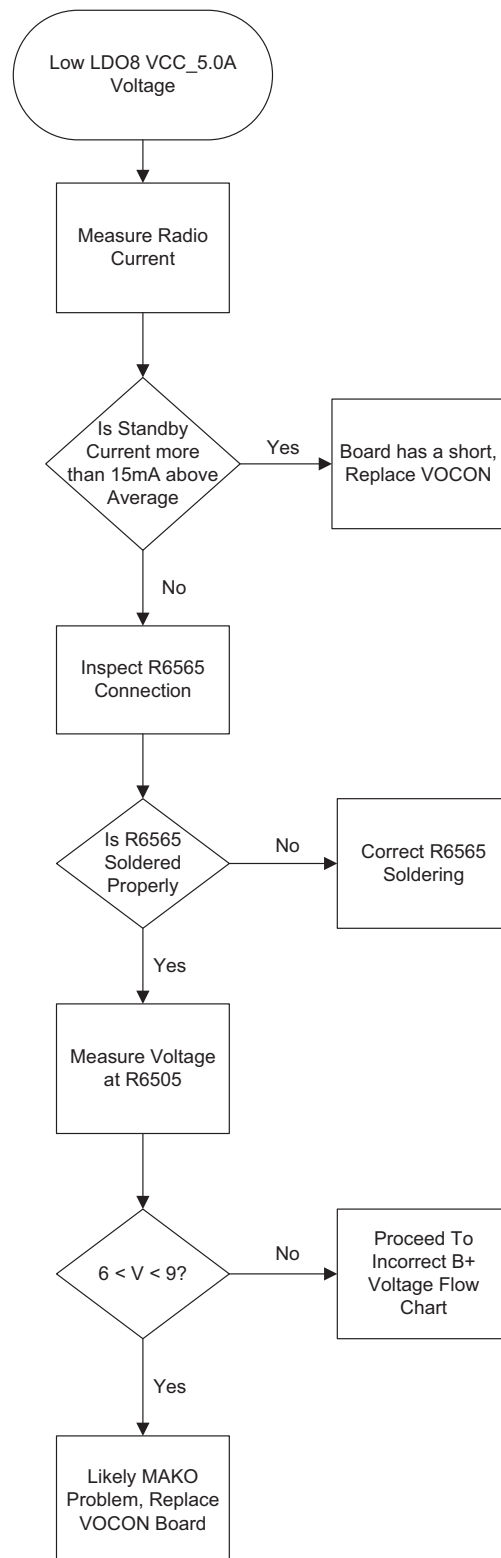


Power-Up Failure – Low LDO3 VCC_1.55 Voltage

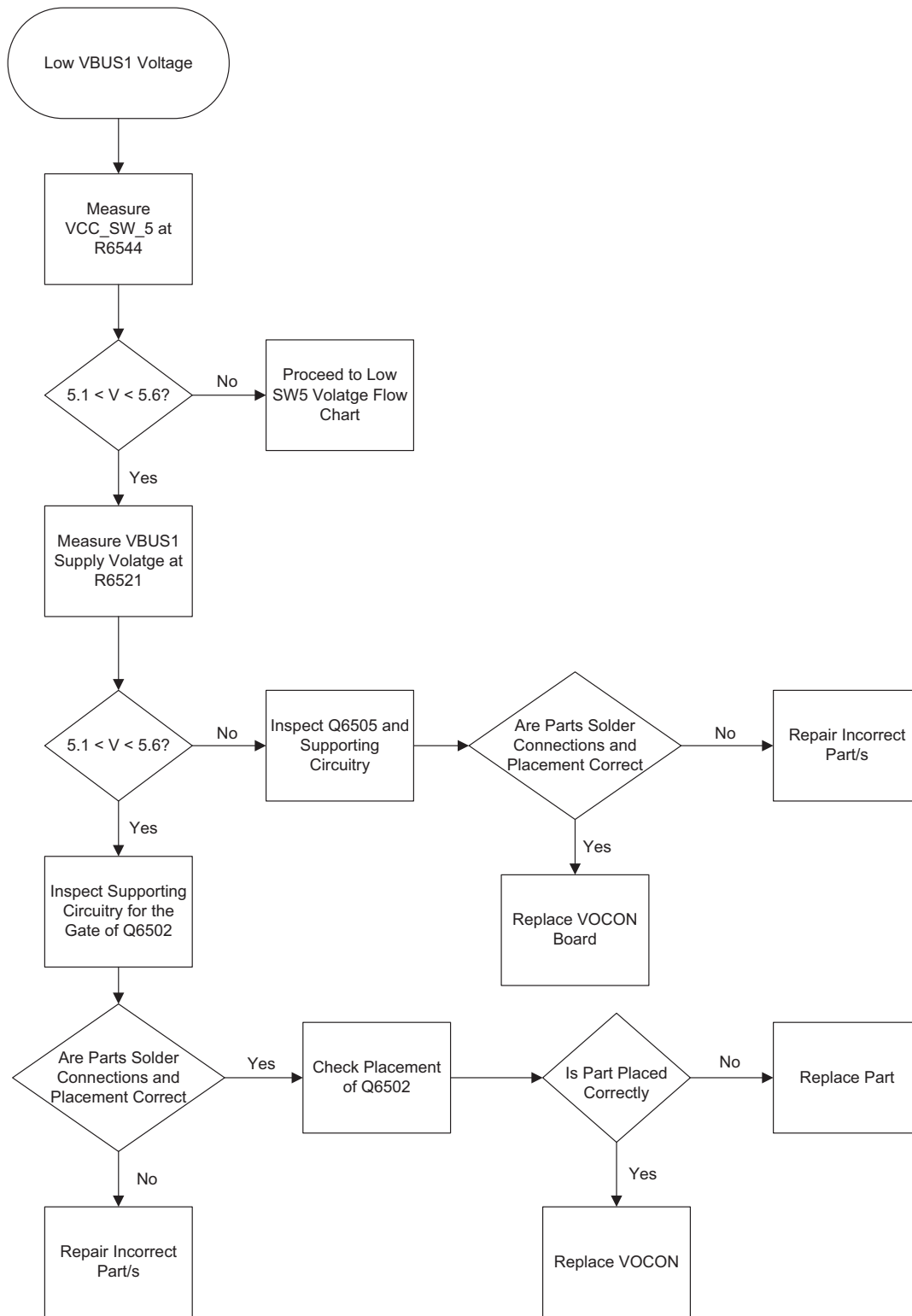


Synopsis
This failure specifically refers to LDO3 but this flow chart can be used to diagnose LDO2. All LDOs mentioned above are fed from the same source and have very limited differences. Please refer to schematic and theory of operation section for differences.

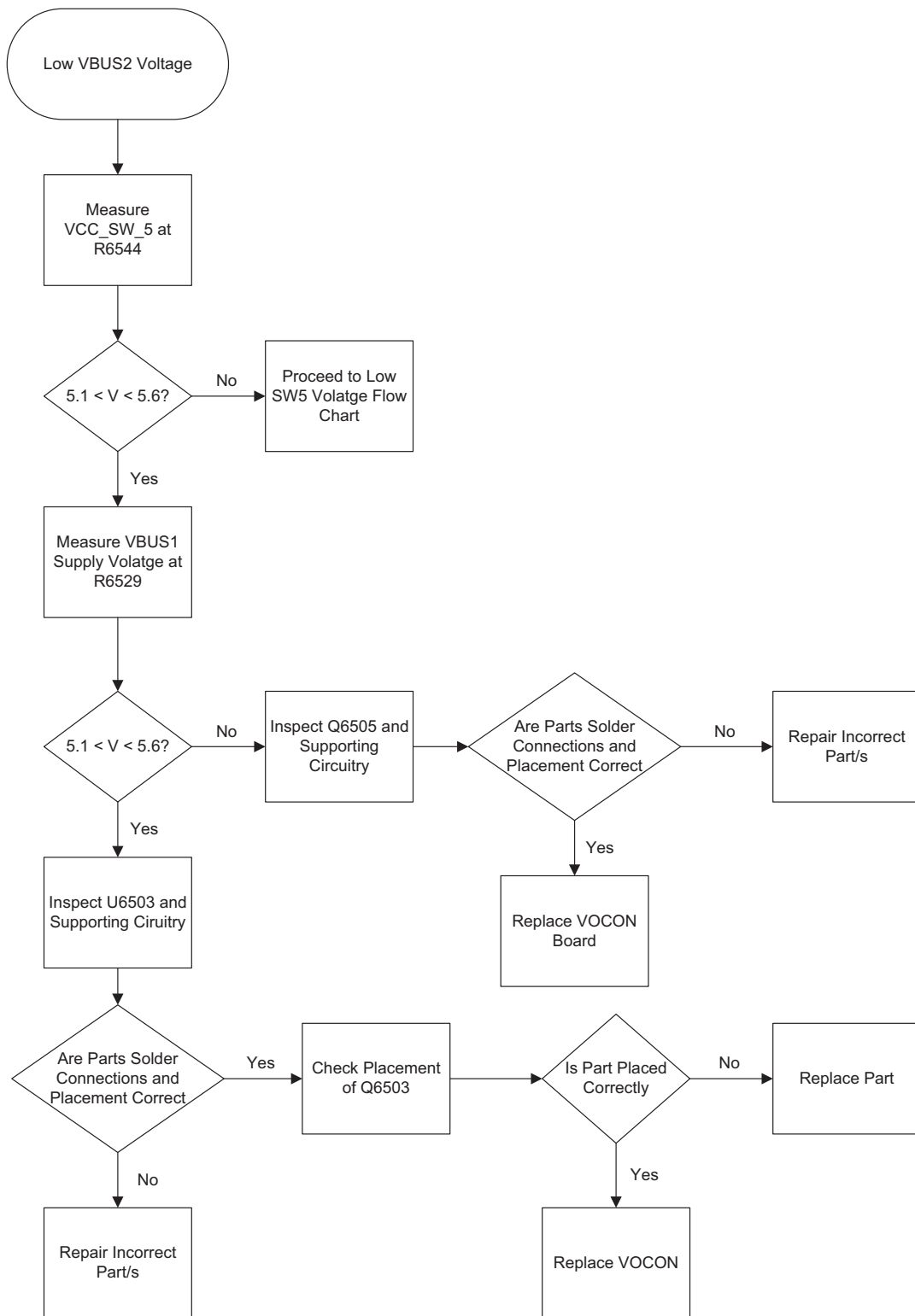
Power-Up Failure – Low LDO8 VCC_5.0A Voltage



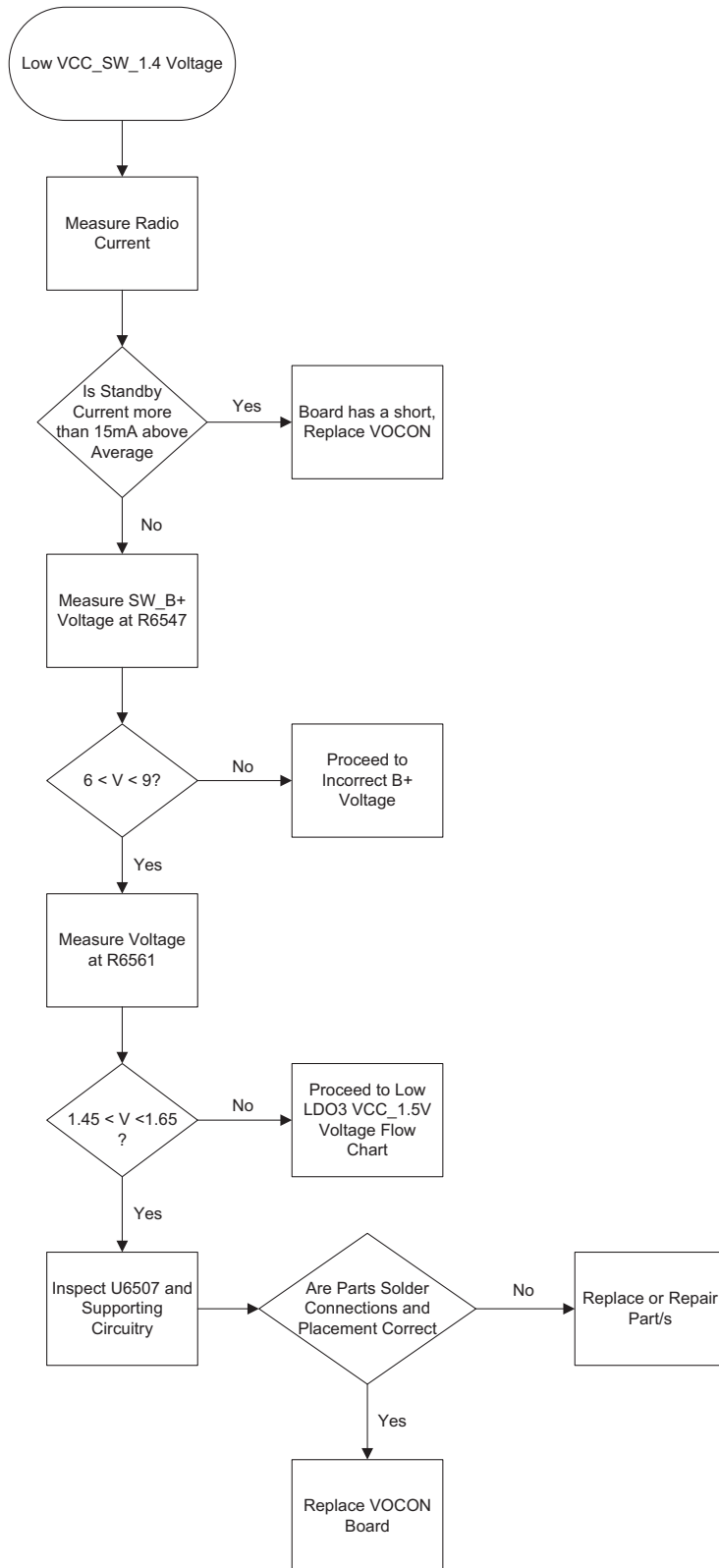
Power-Up Failure – Low VBUS1 Voltage



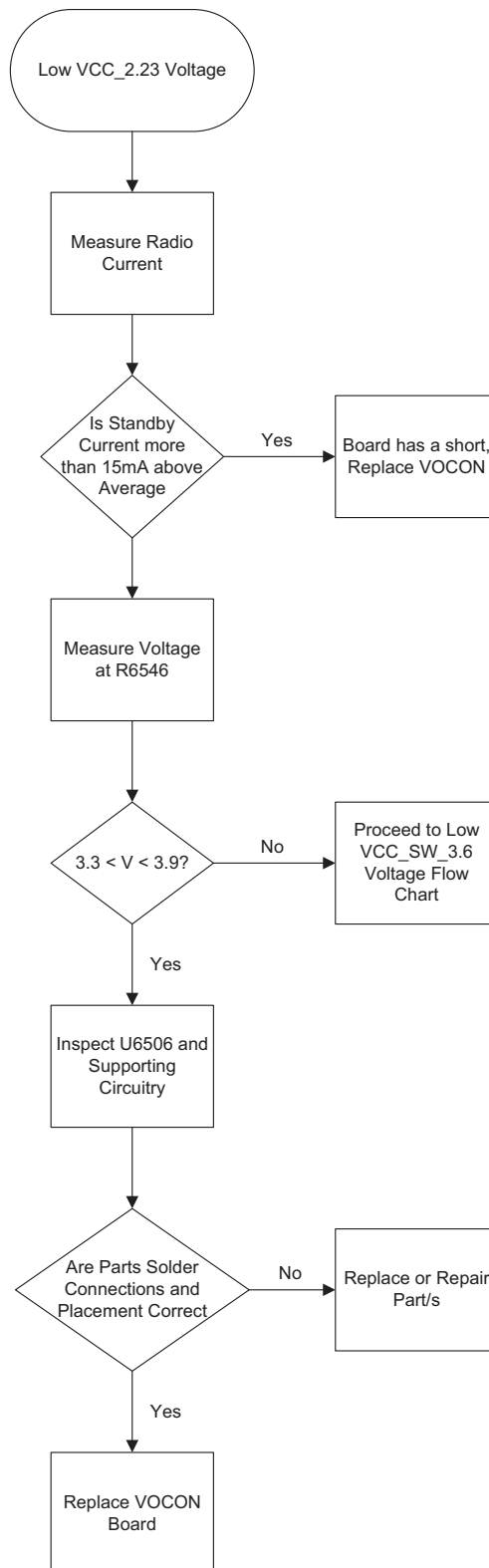
Power-Up Failure – Low VBUS2 Voltage



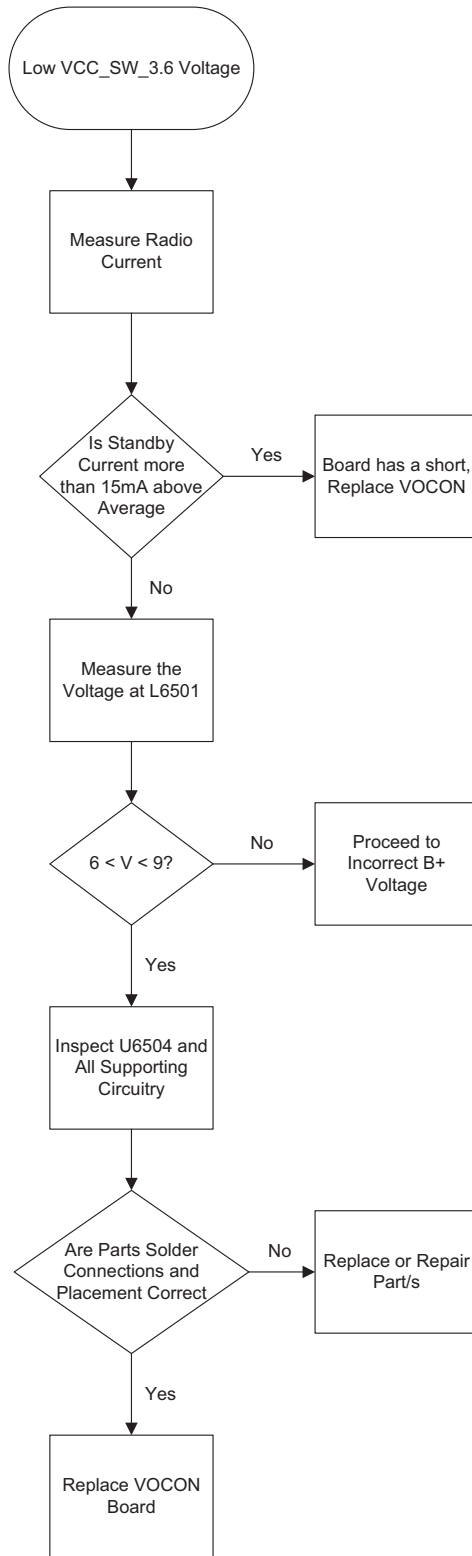
Power-Up Failure – Low VCC_SW_1.4 Voltage



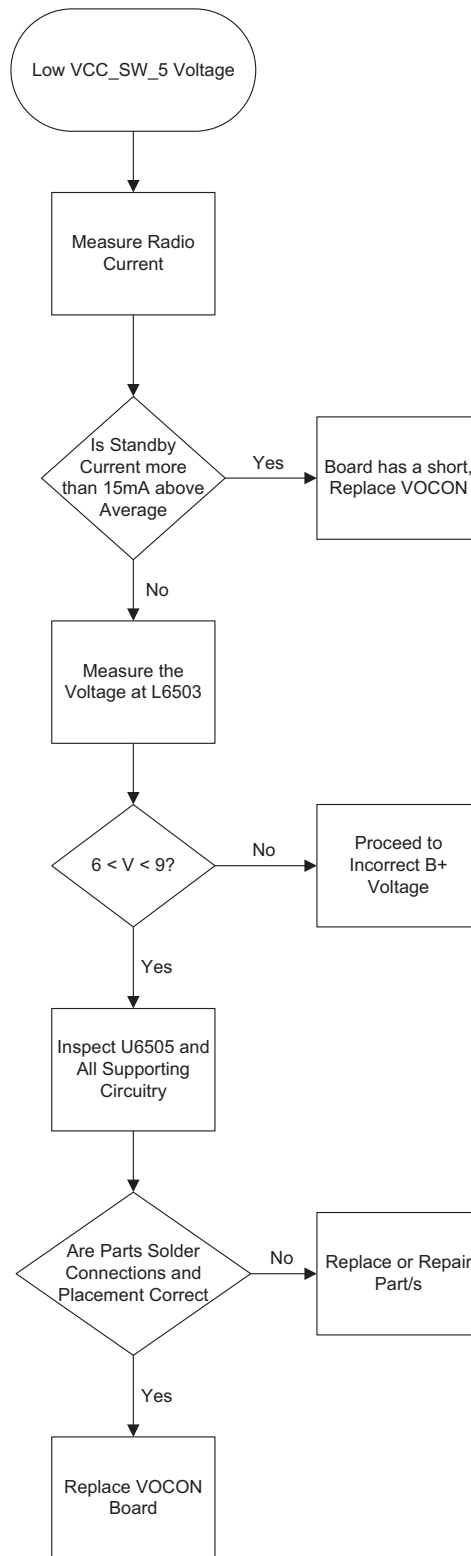
Power-Up Failure – Low VCC_2.23 Voltage



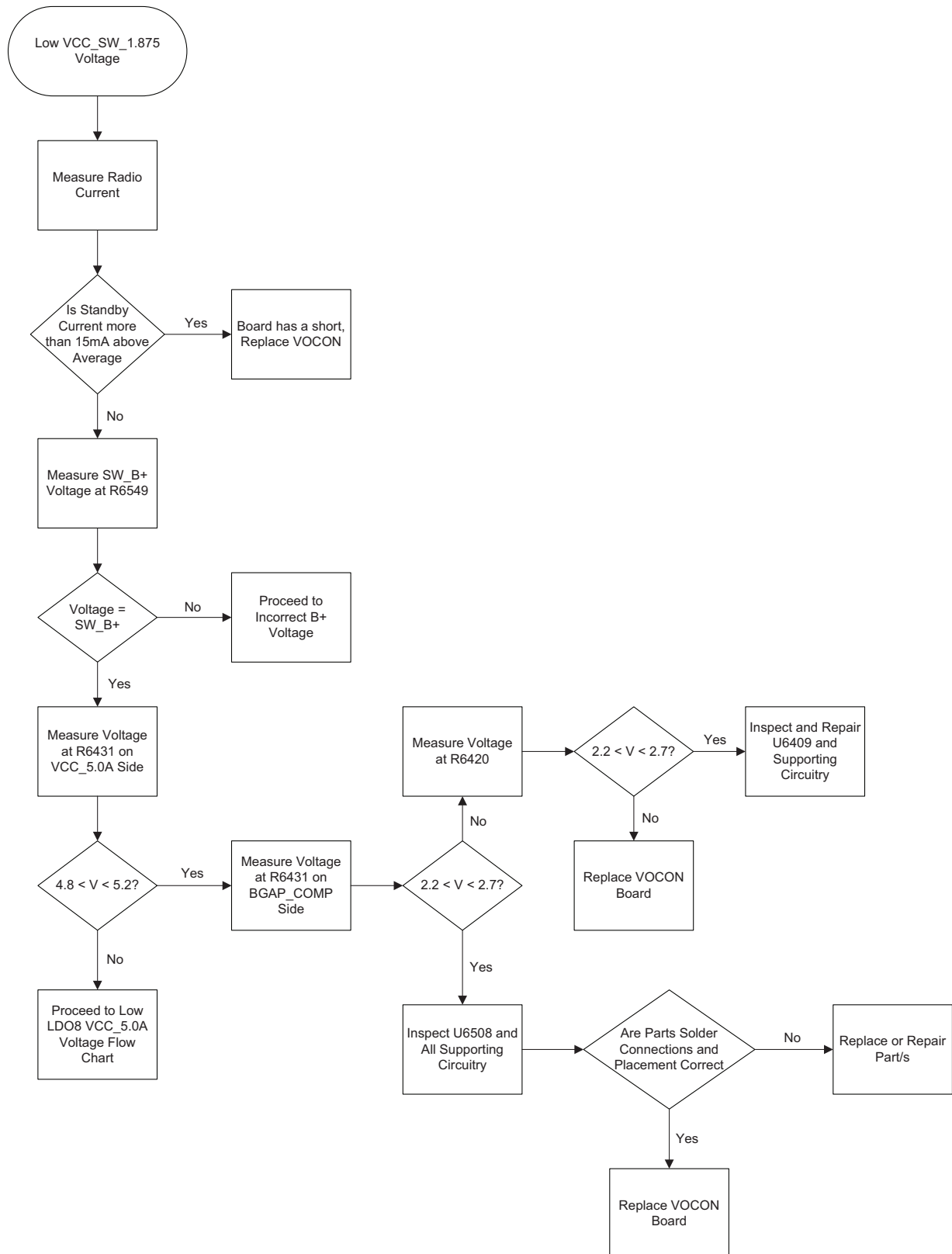
Power-Up Failure – Low VCC_SW_3.6 Voltage



Power-Up Failure – Low VCC_SW_5 Voltage



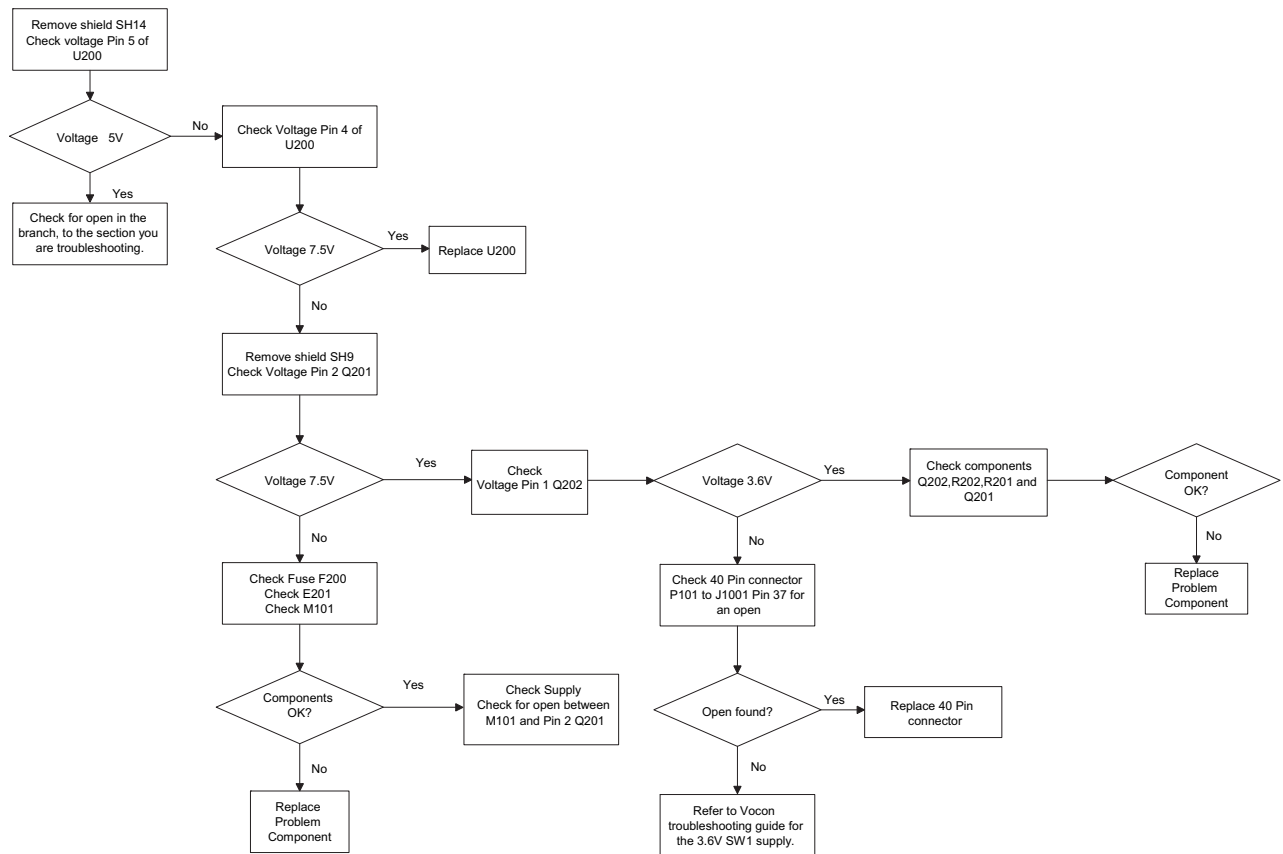
Power-Up Failure – Low VCC_SW_1.875 Voltage



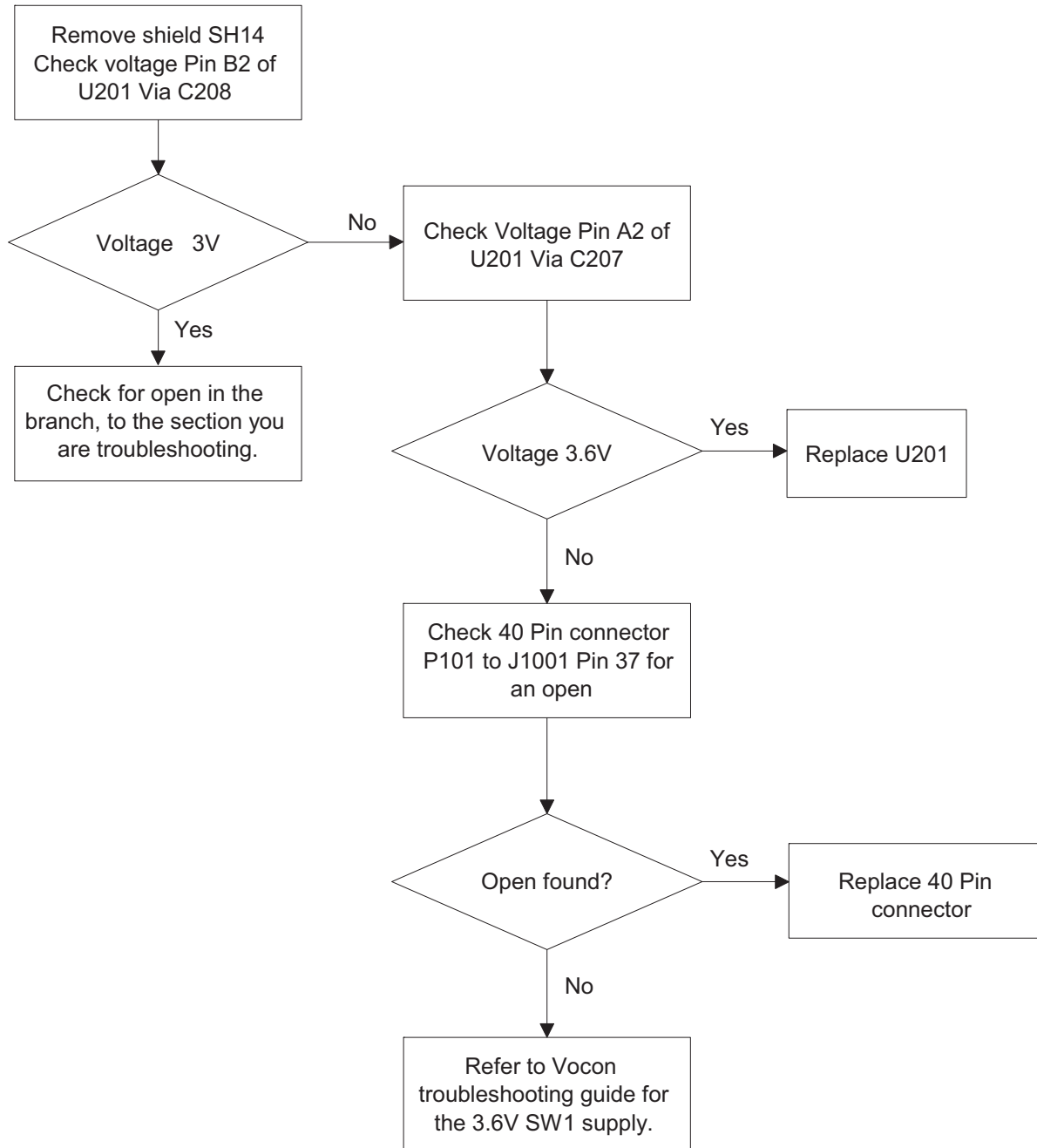
5.4 DC Supply Failure

5.4.1 DC Supply 5V Failure

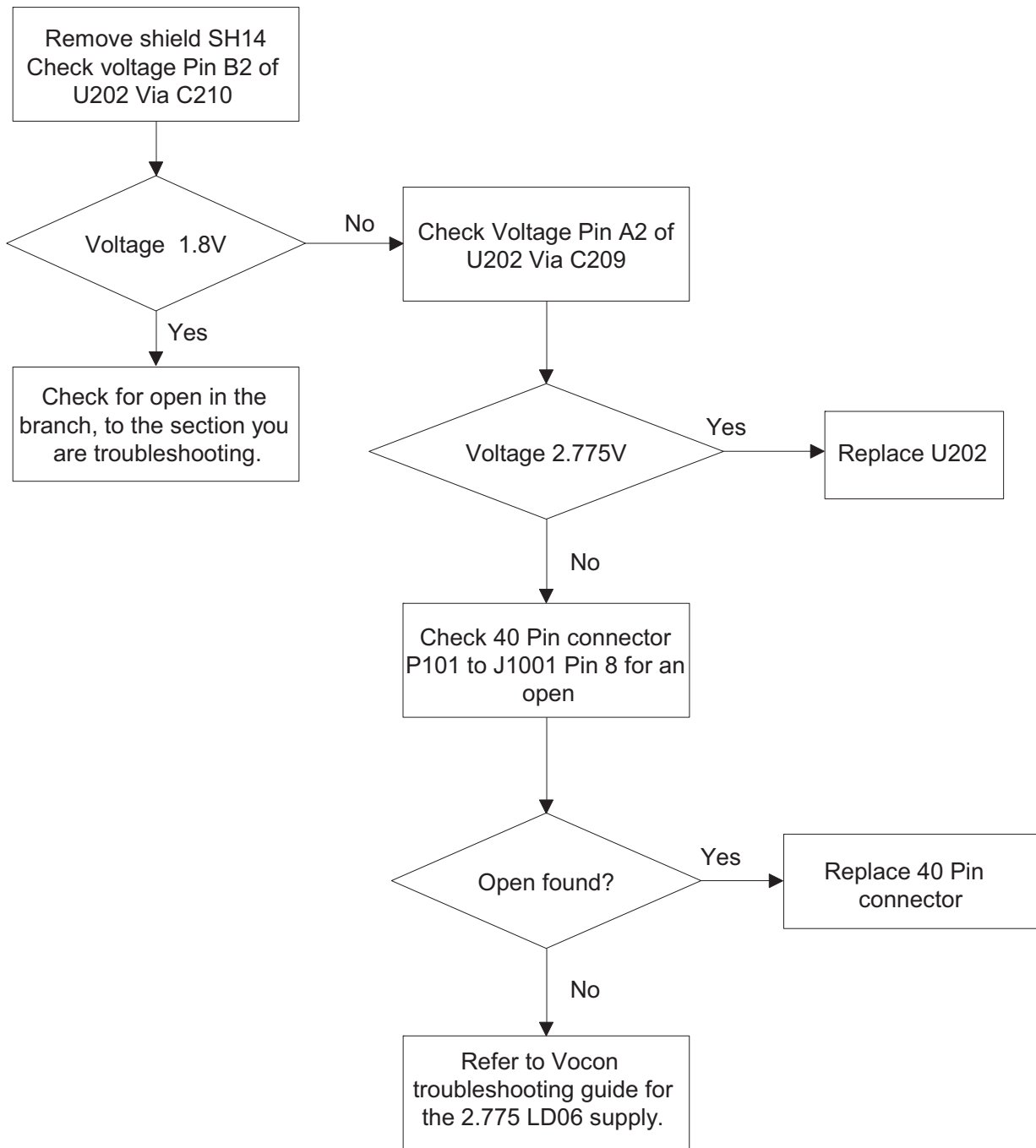
NOTE: Since the failure of a critical voltage supply might cause the radio to automatically power down, supply voltages should first be probed with a multimeter. If all the board voltages are absent, then the voltage test point should be retested using a rising-edge-triggered oscilloscope. If the voltage is still absent, then another voltage should be tested using the oscilloscope. If that voltage is present, then the original voltage supply in question is defective and requires investigation of associated circuitry.



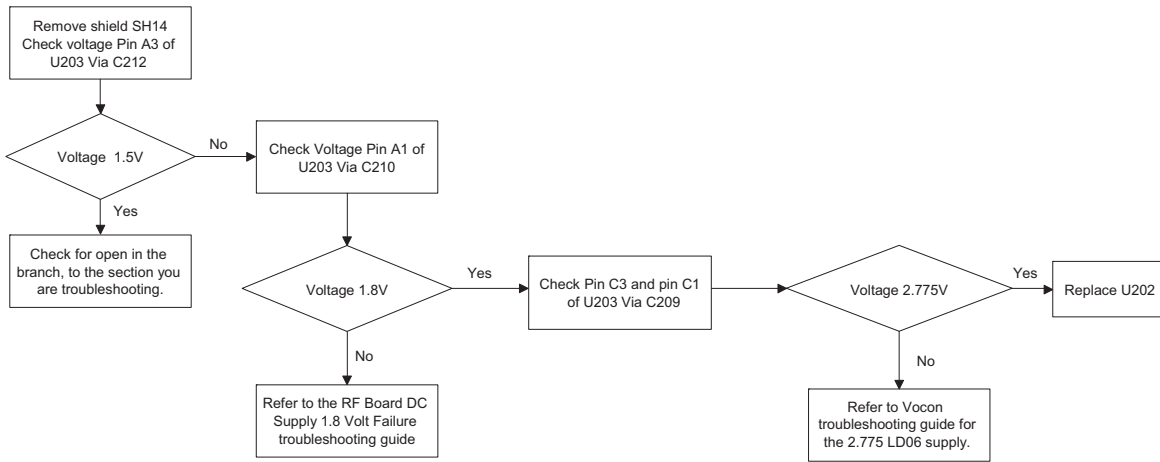
5.4.2 DC Supply 3 Volt Failure



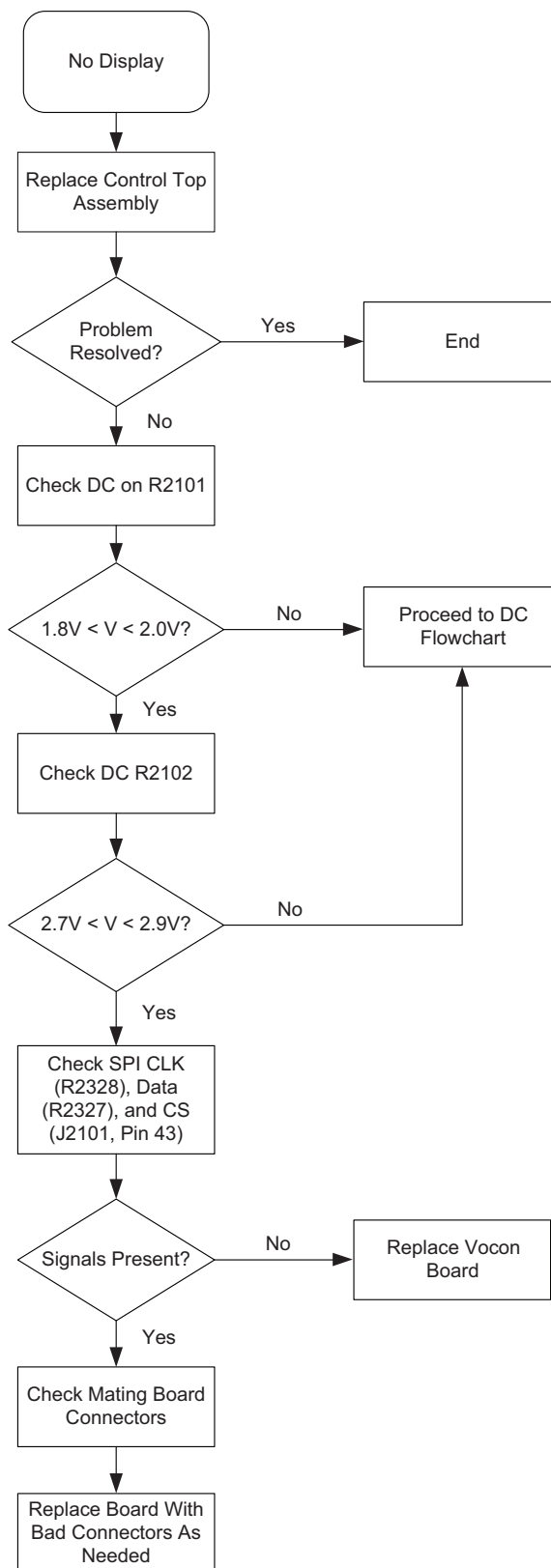
5.4.3 DC Supply 1.8 Volt Failure



5.4.4 DC Supply 1.5 Volt Failure

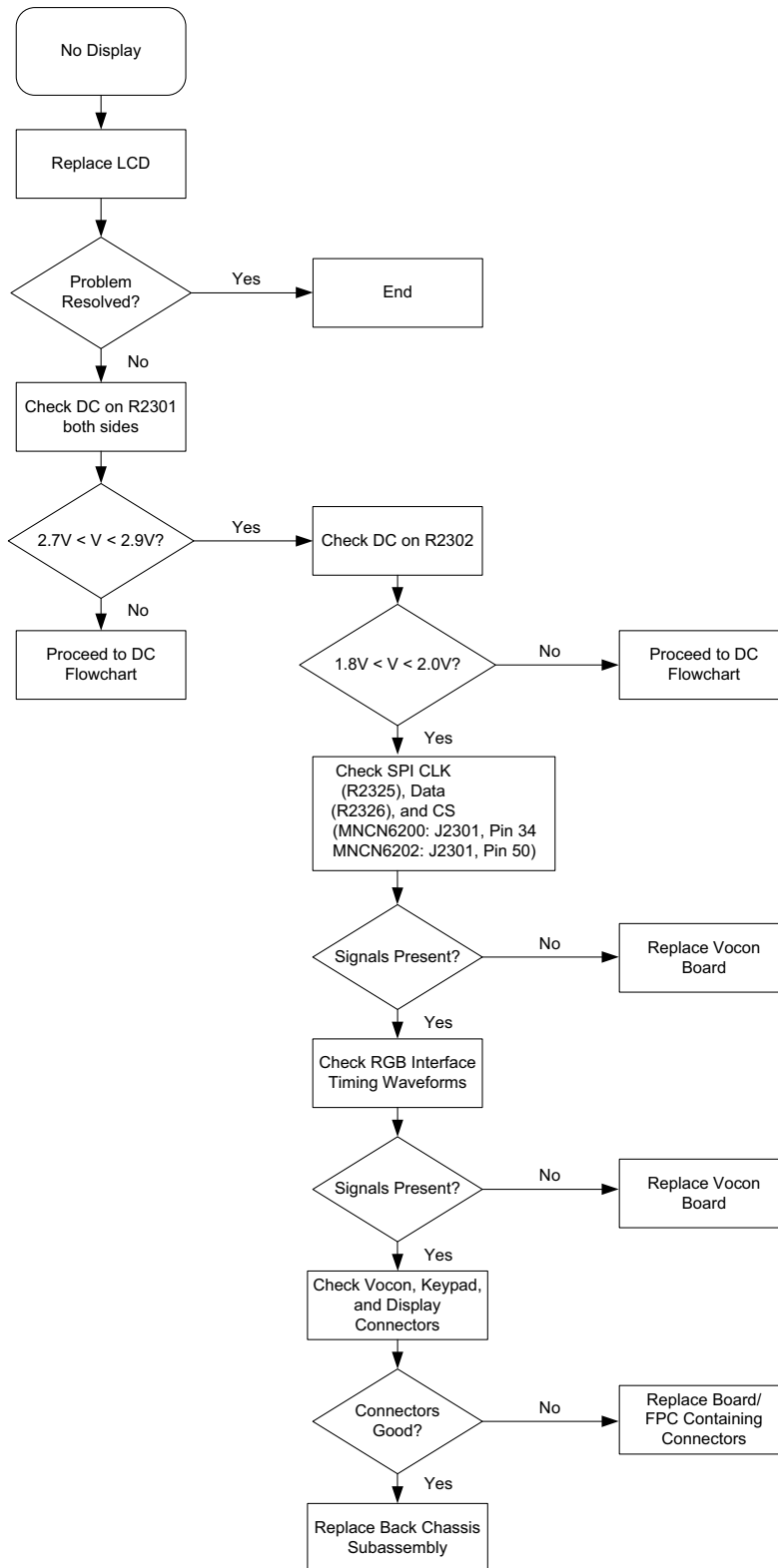


5.5 Top/CID Display Failure

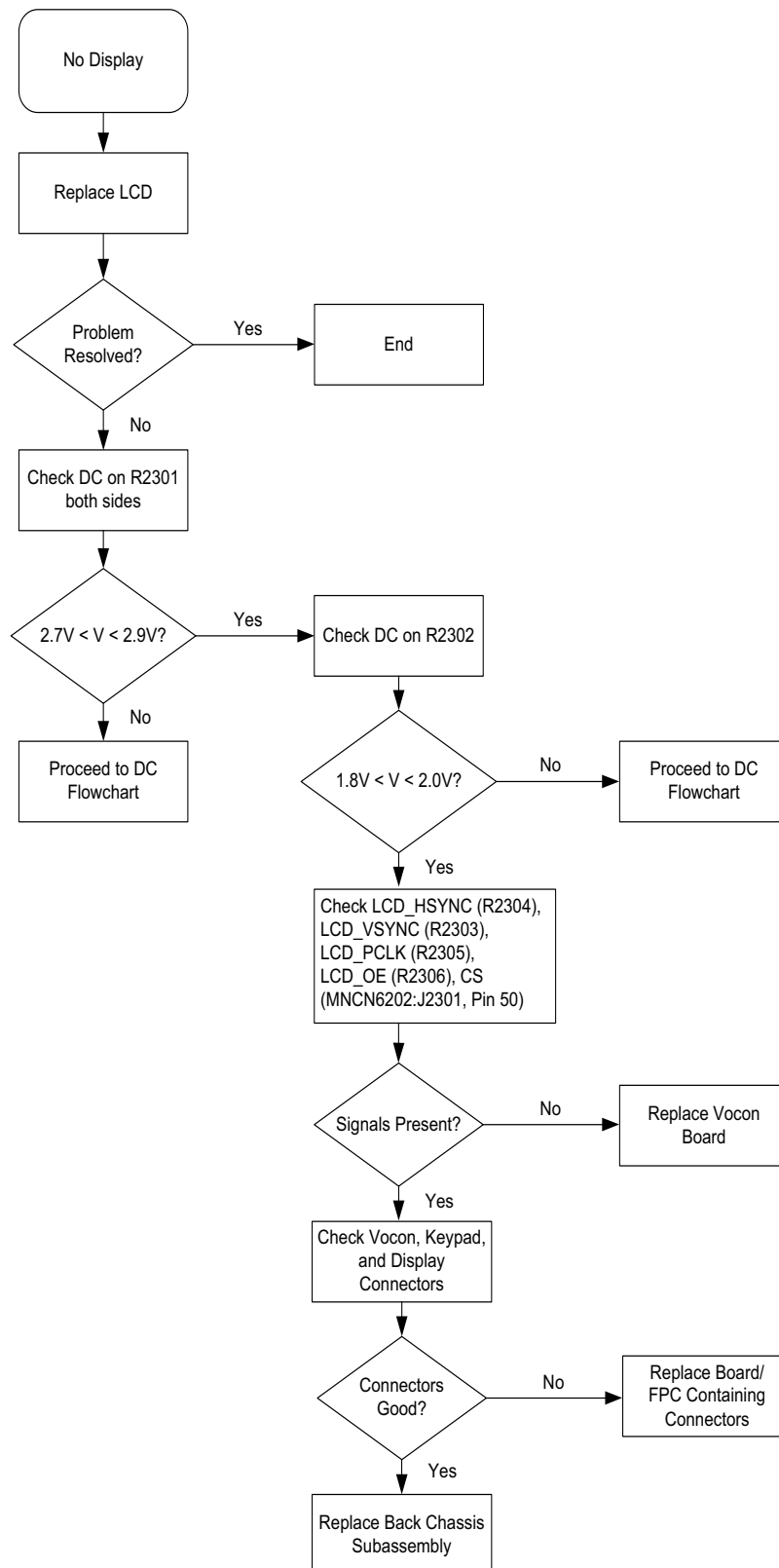


5.6 Main Display Failure

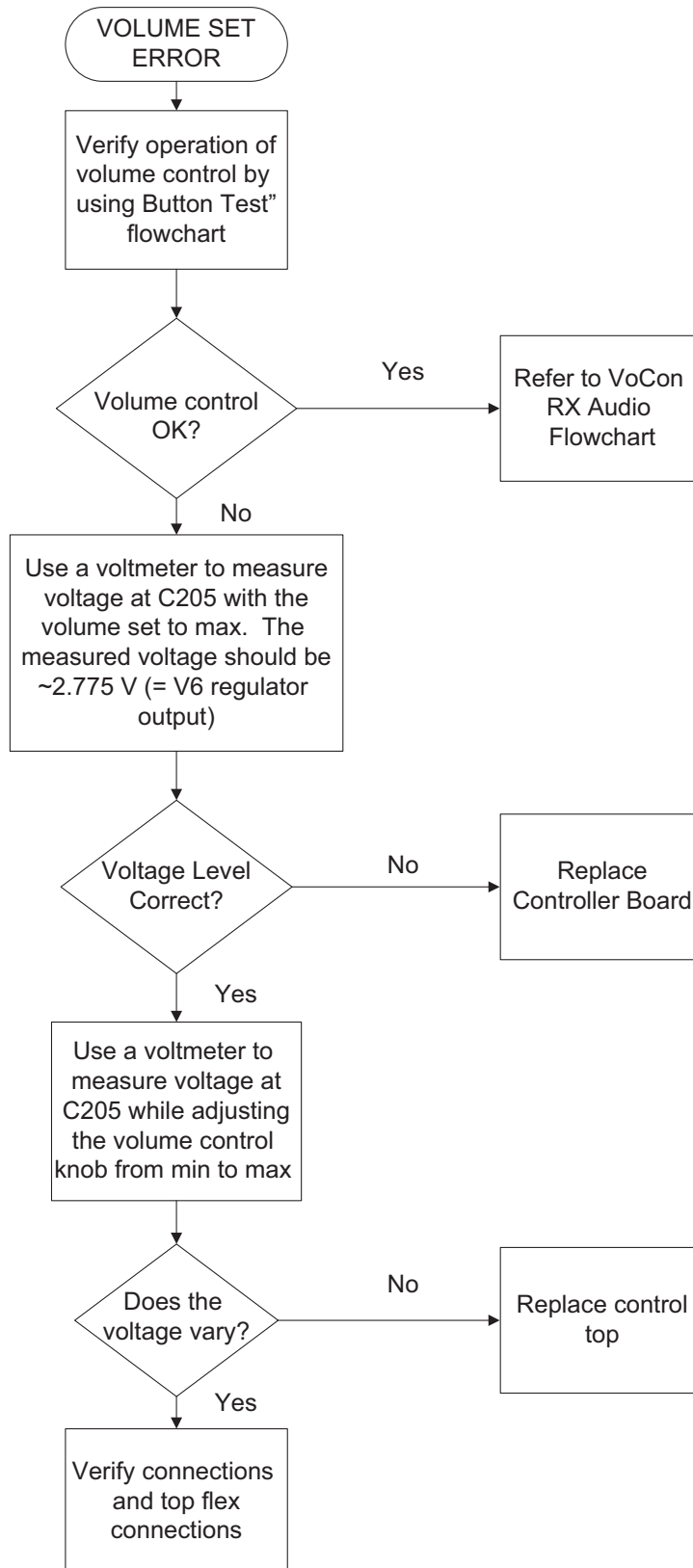
5.6.1 For All Display Except Part No. 72012006002



5.6.2 For Display Part No. 72012006002 Only

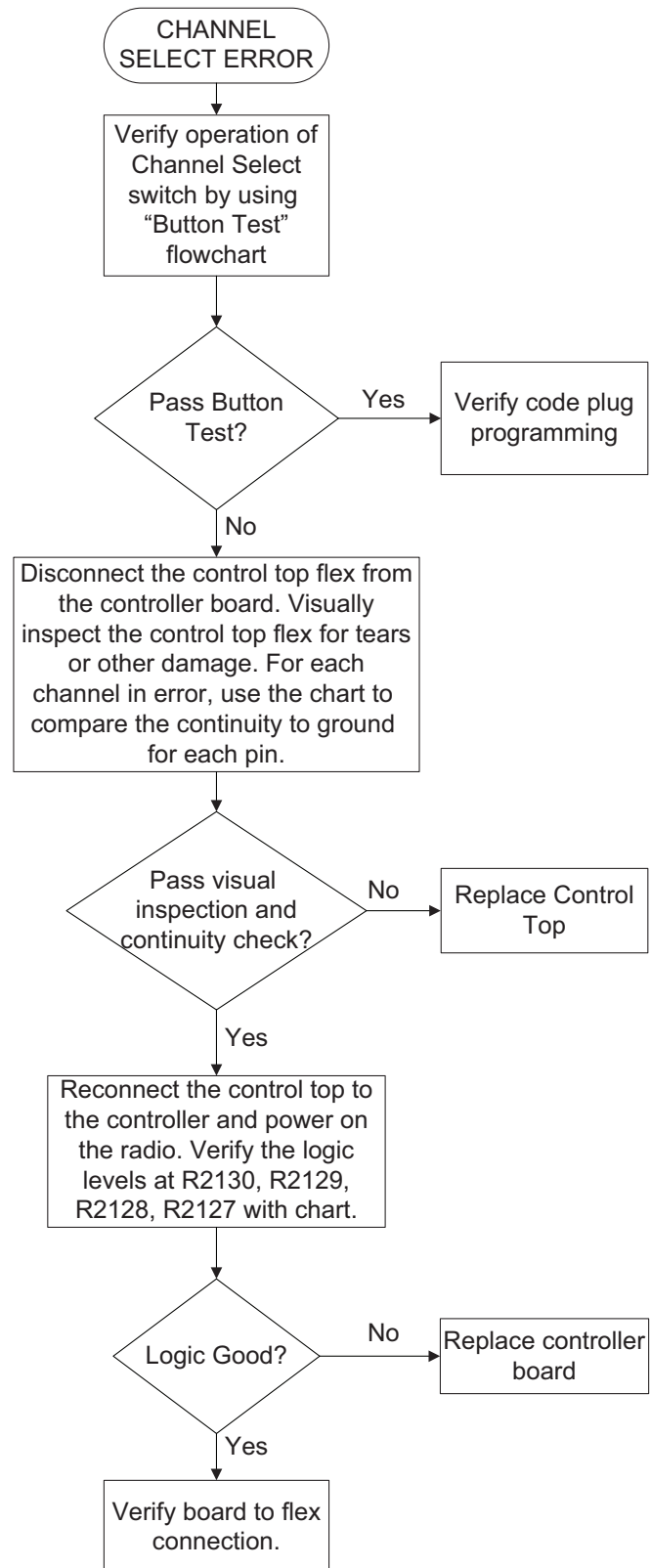


5.7 Volume Set Error

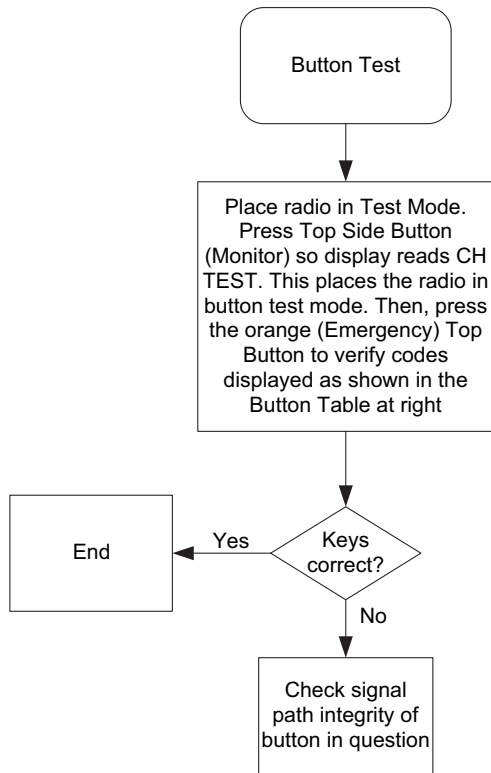


5.8 Channel Select Error

Physical Position	RTA3 (R2130)	RTA2 (R2129)	RTA1 (R2128)	RTA0 (R2127)
Channel 1	1	0	1	0
Channel 2	1	0	1	1
Channel 3	1	1	1	1
Channel 4	1	1	1	0
Channel 5	1	1	0	0
Channel 6	1	1	0	1
Channel 7	1	0	0	1
Channel 8	1	0	0	0
Channel 9	0	0	0	0
Channel 10	0	0	1	0
Channel 11	0	0	1	1
Channel 12	0	1	1	1
Channel 13	0	1	1	0
Channel 14	0	1	0	0
Channel 15	0	1	0	1
Channel 16	0	0	0	1



5.9 Keypad Error



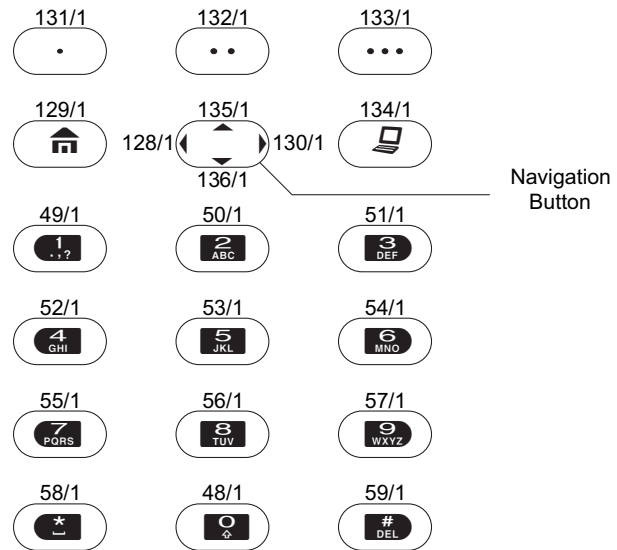
Synopsis

This chart relates to a failure in the button functions Basic Failure modes are as follows:

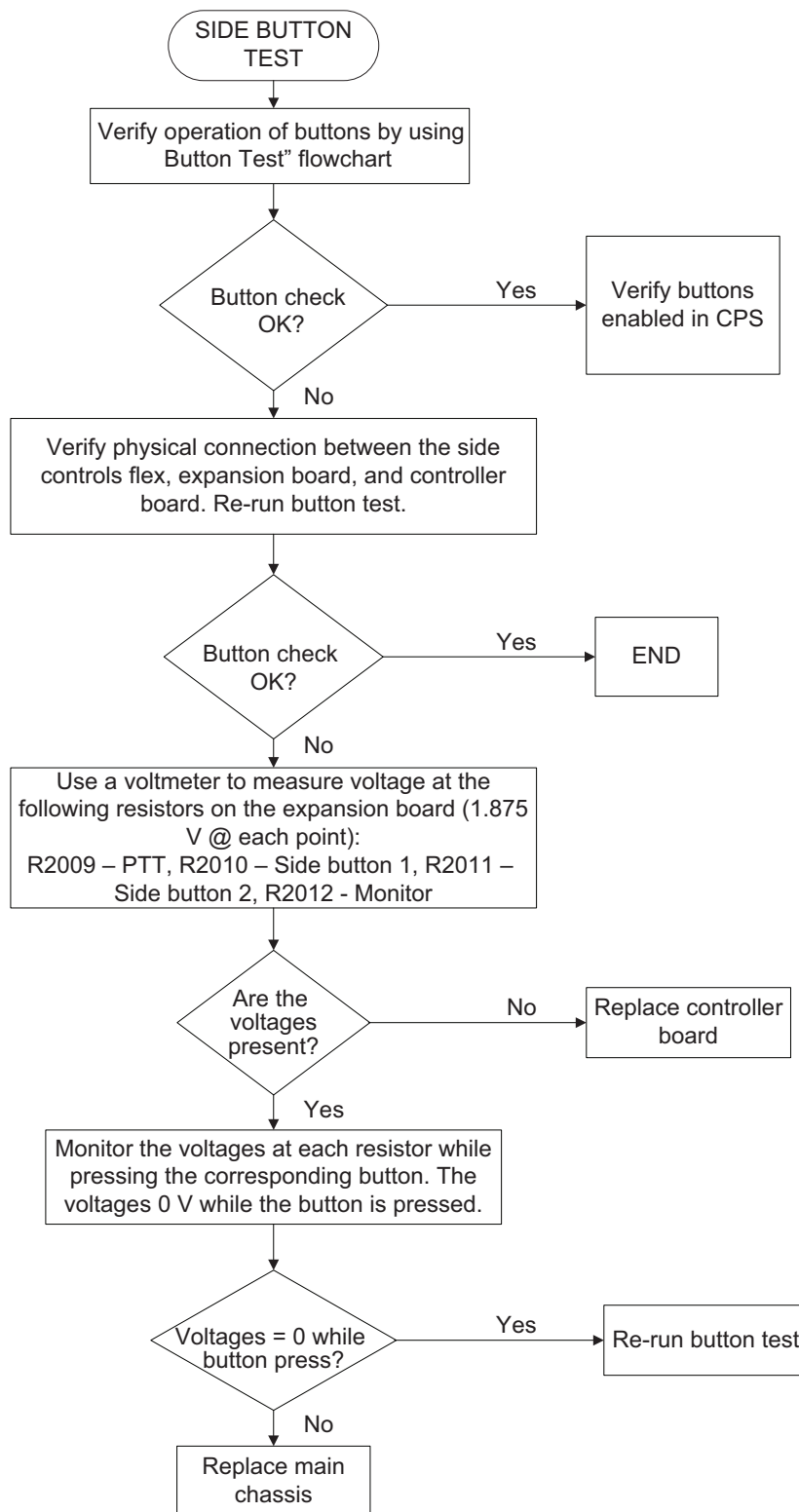
- 1) Failure in control top, side controls, or keypad flex assembly
- 2) Bad Connection
- 3) Defective Switches or pads
- 4) Defective Vocon Board

Button Table

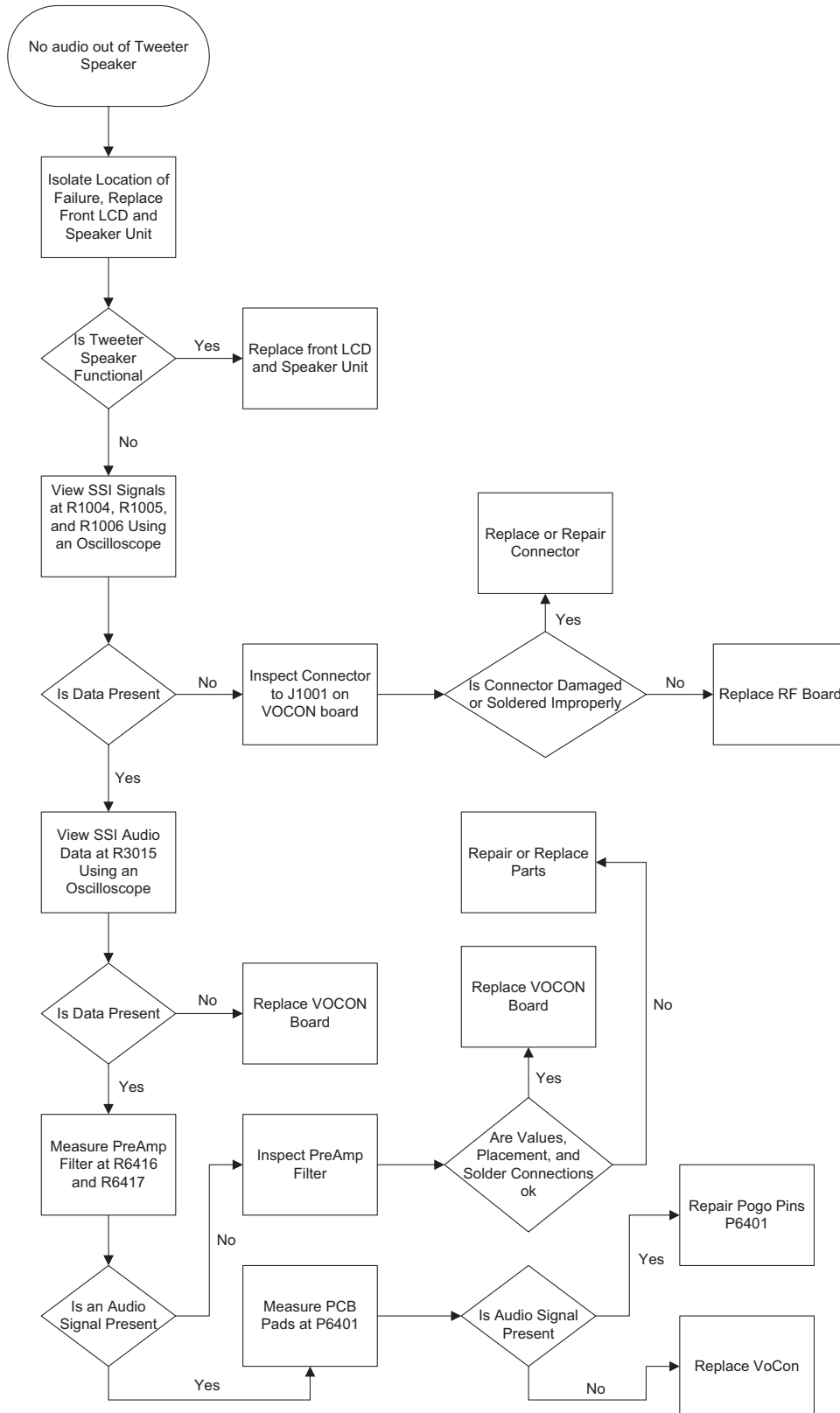
Button	Code
PTT	1/0-1
Top Button (Emergency)	148/0-1
Side Button 1	96/0-1
Side Button 2	97/0-1
Side Button 3	98/0-1
Channel Select (Frequency)	4/0-15
Volume Control Knob	2/0-244
ABC Toggle Switch	67/0-2
Secure/Clear Select	65/0-1



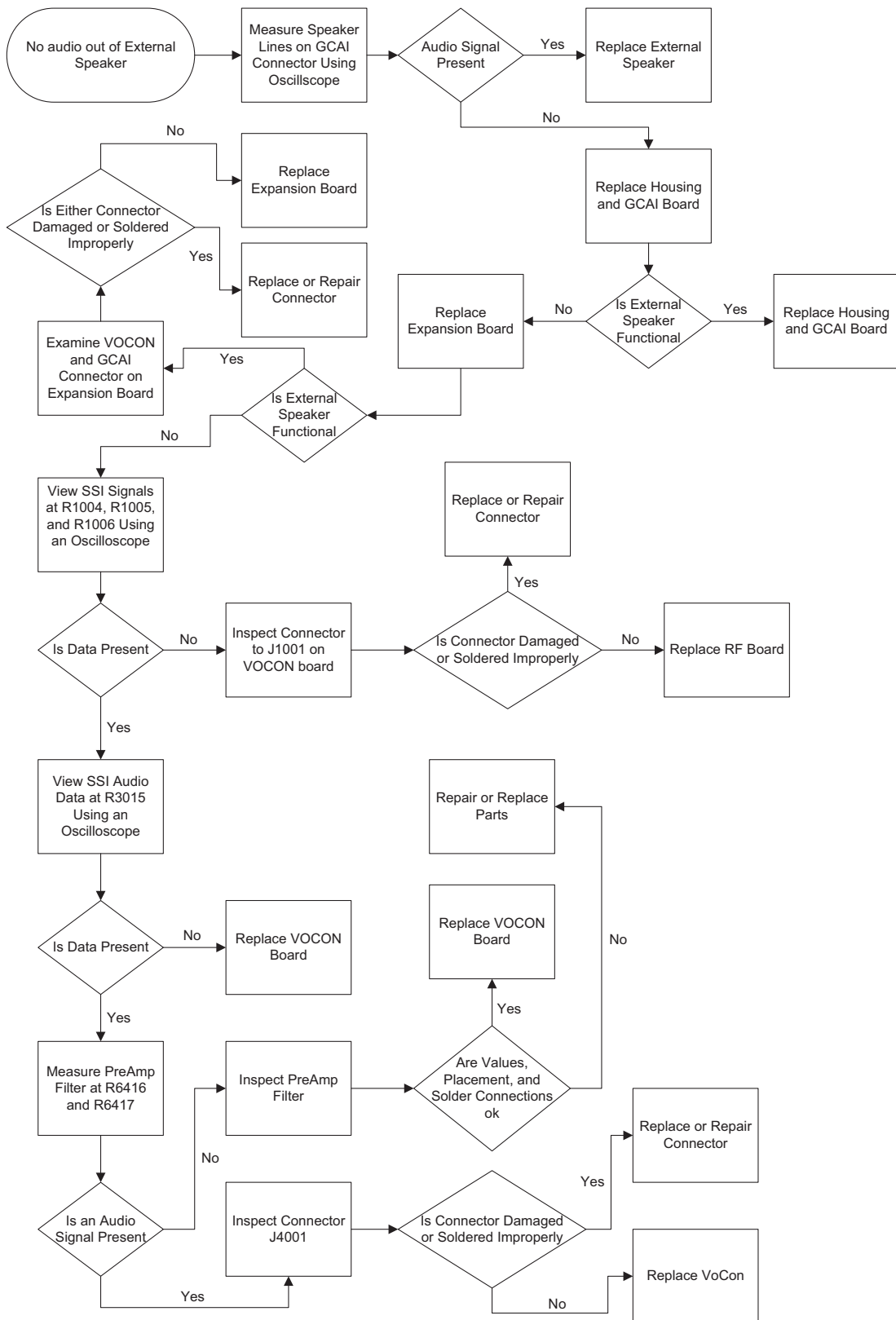
5.10 Side Button Error



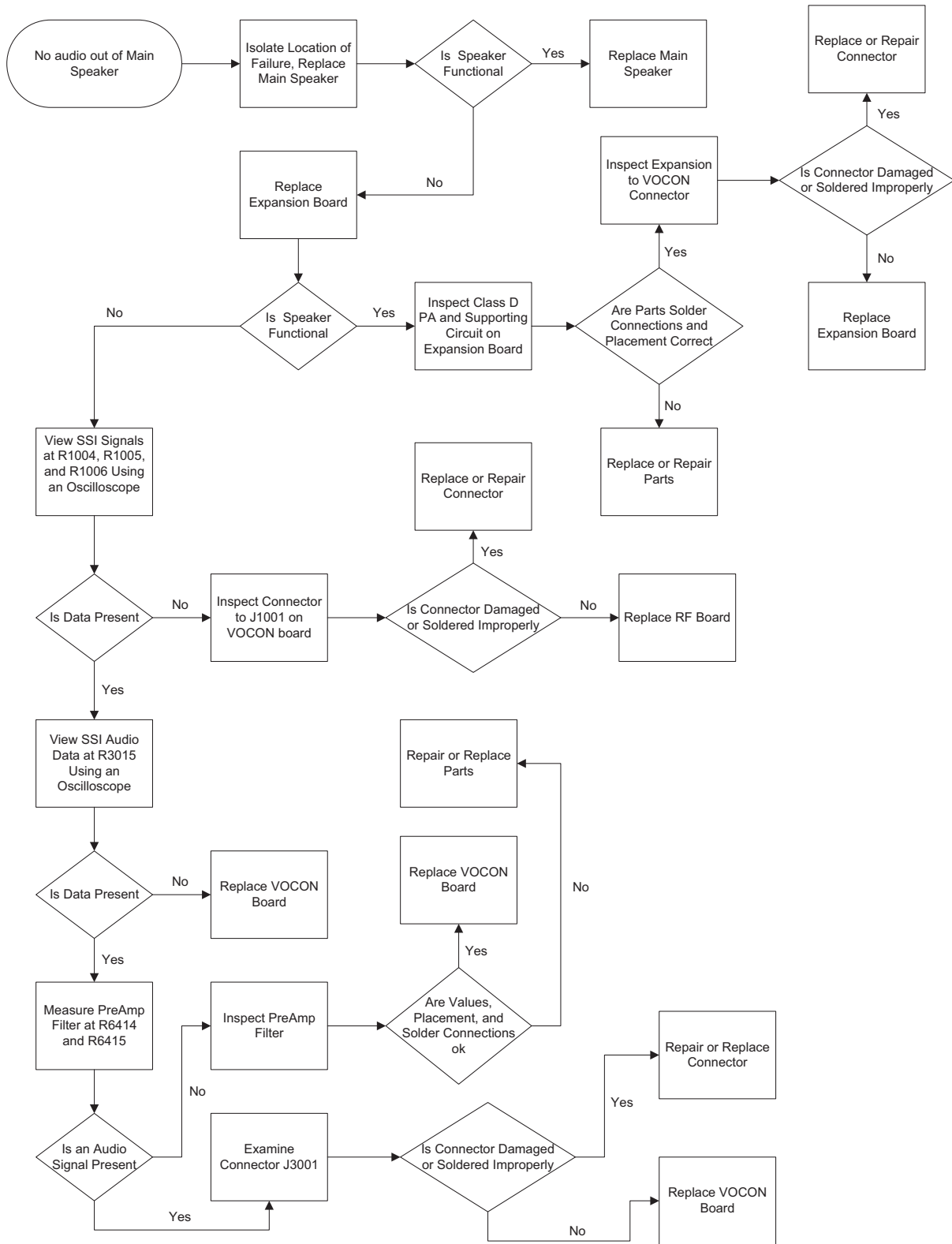
5.11 VOCON TX Audio Error – Tweeter Speaker Failure



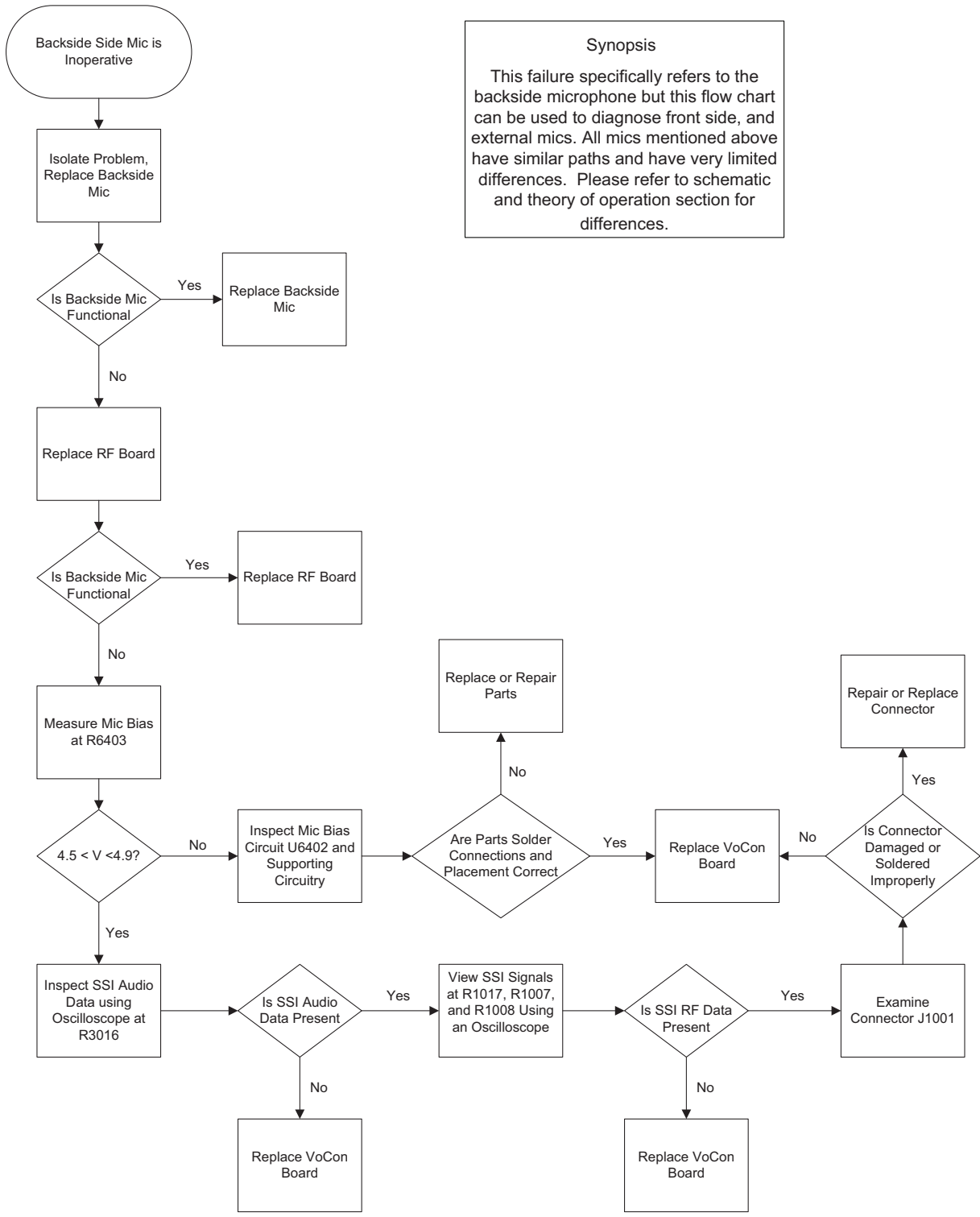
VOCON TX Audio Error – External Speaker Audio Out Failure



VOCON TX Audio Error – Main Speaker Audio Out Failure



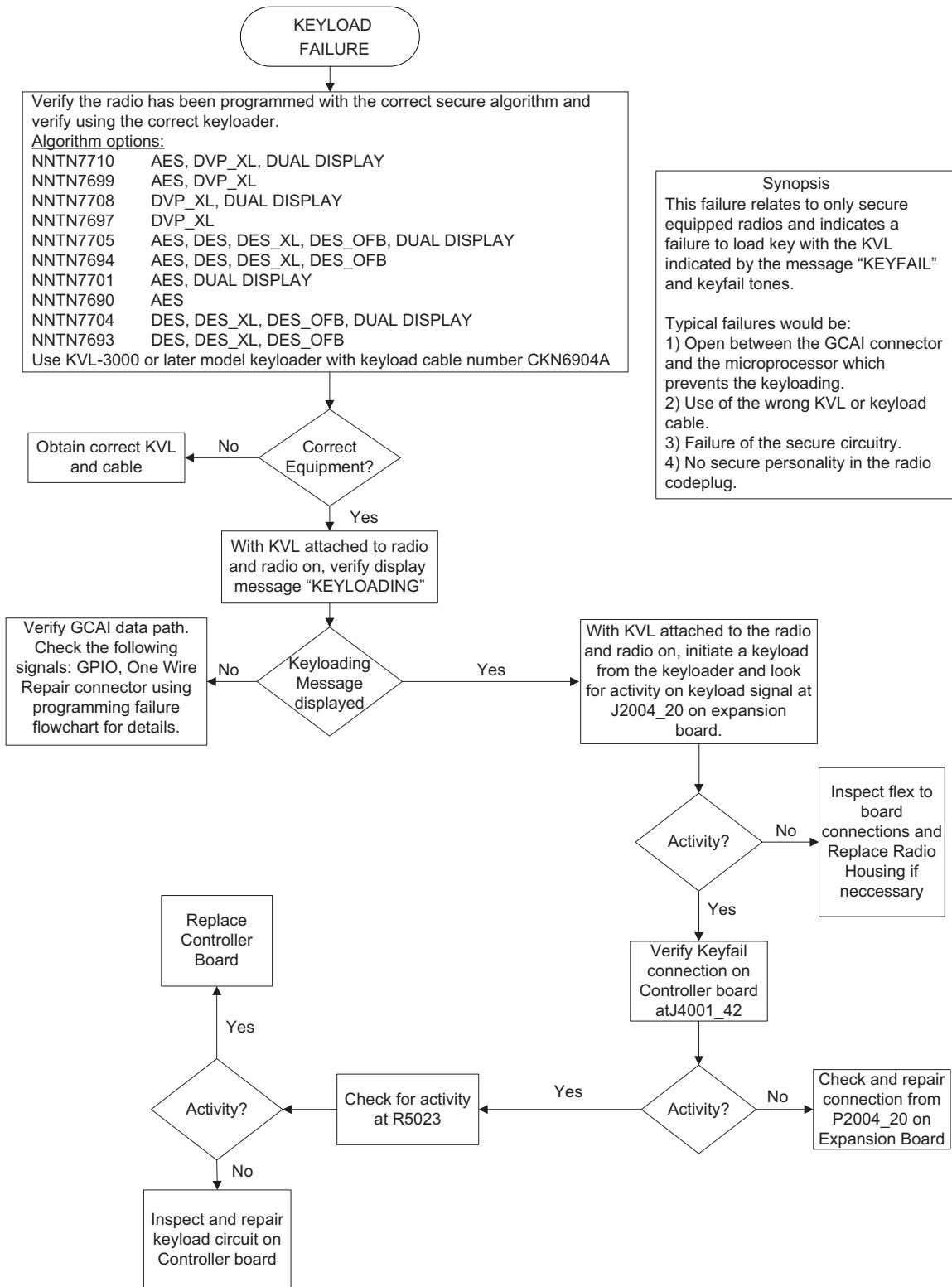
VOCON TX Audio Error – Side Mic Failure



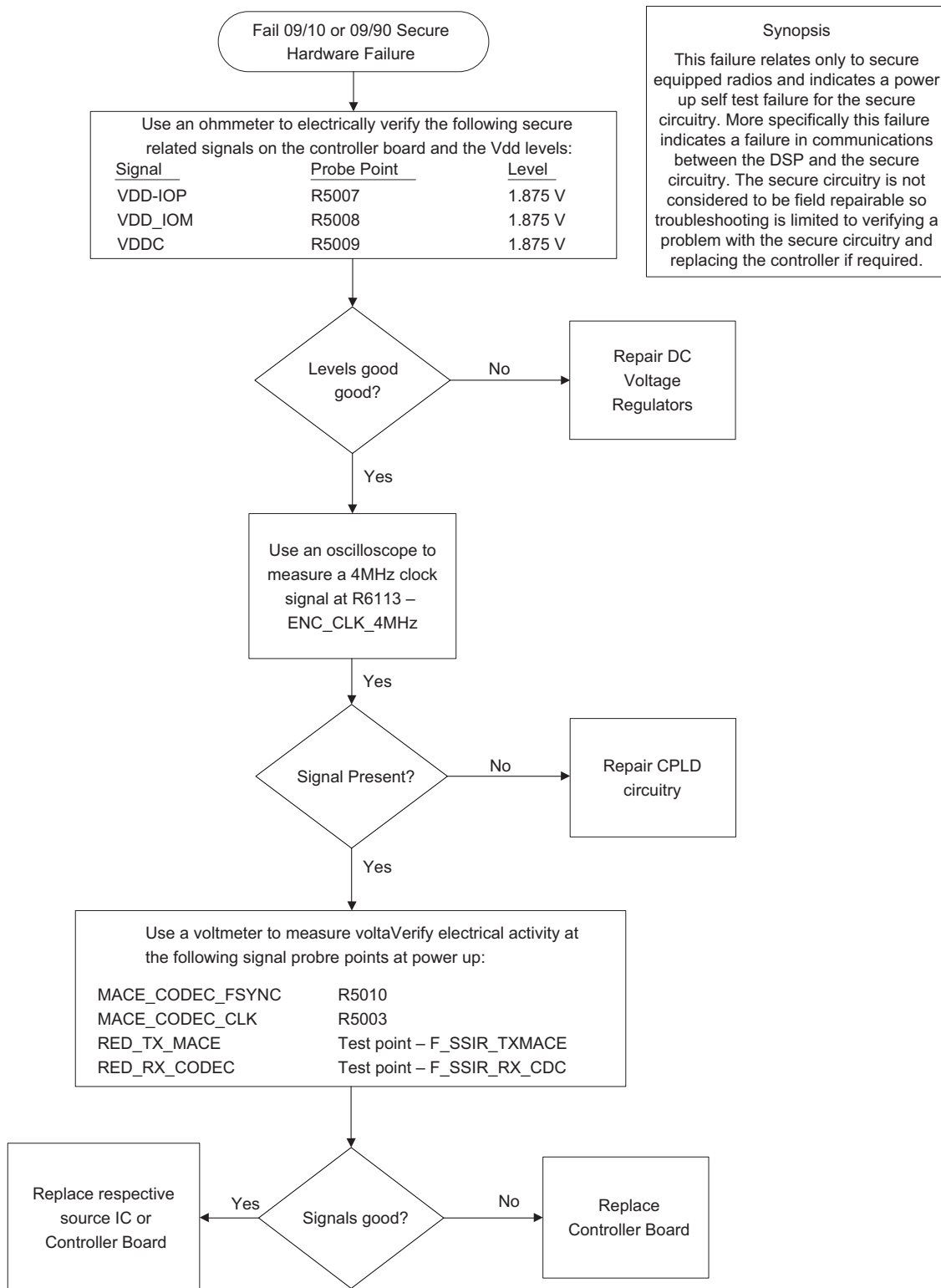
Synopsis

This failure specifically refers to the backside microphone but this flow chart can be used to diagnose front side, and external mics. All mics mentioned above have similar paths and have very limited differences. Please refer to schematic and theory of operation section for differences.

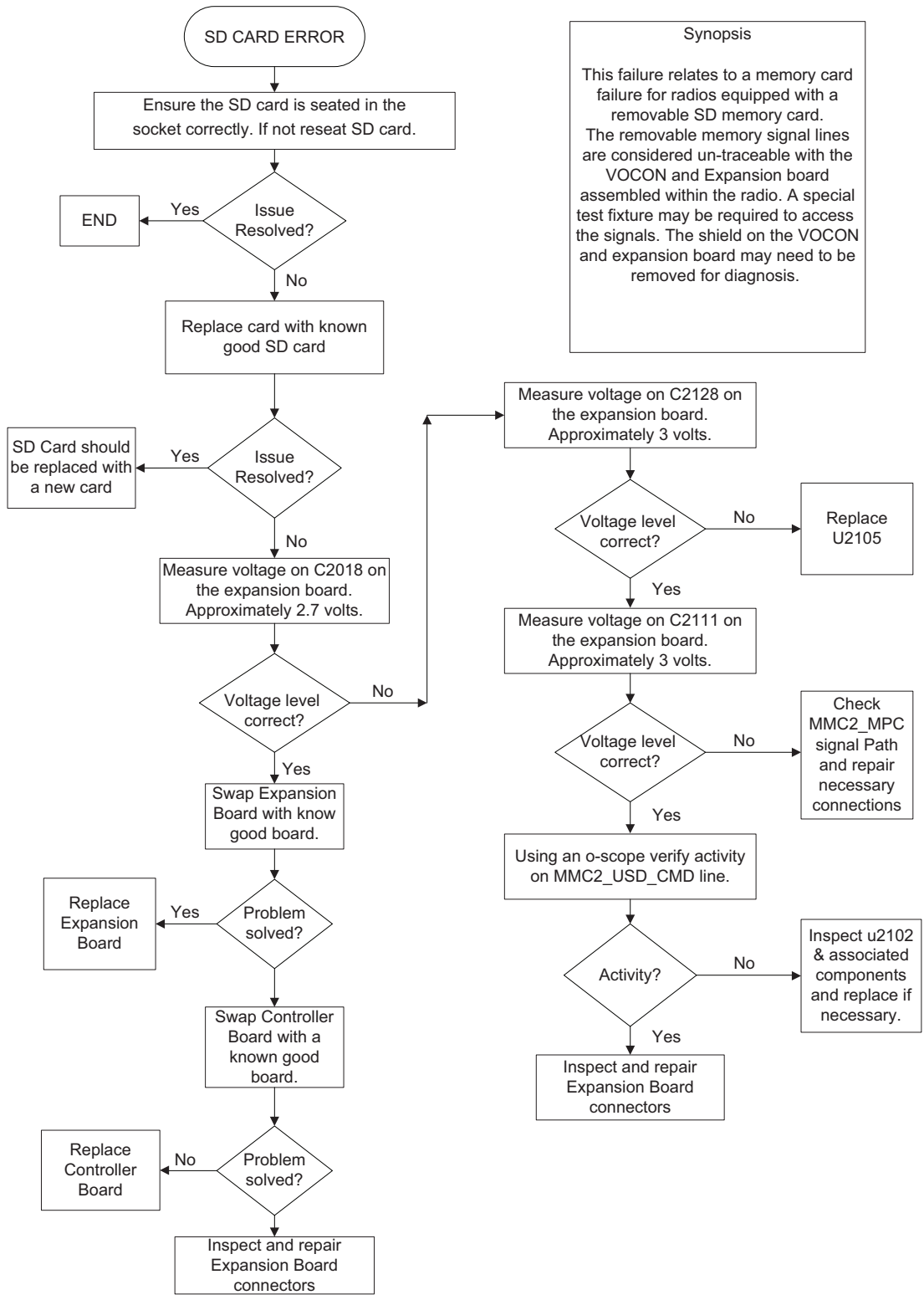
5.12 Keyload Failure



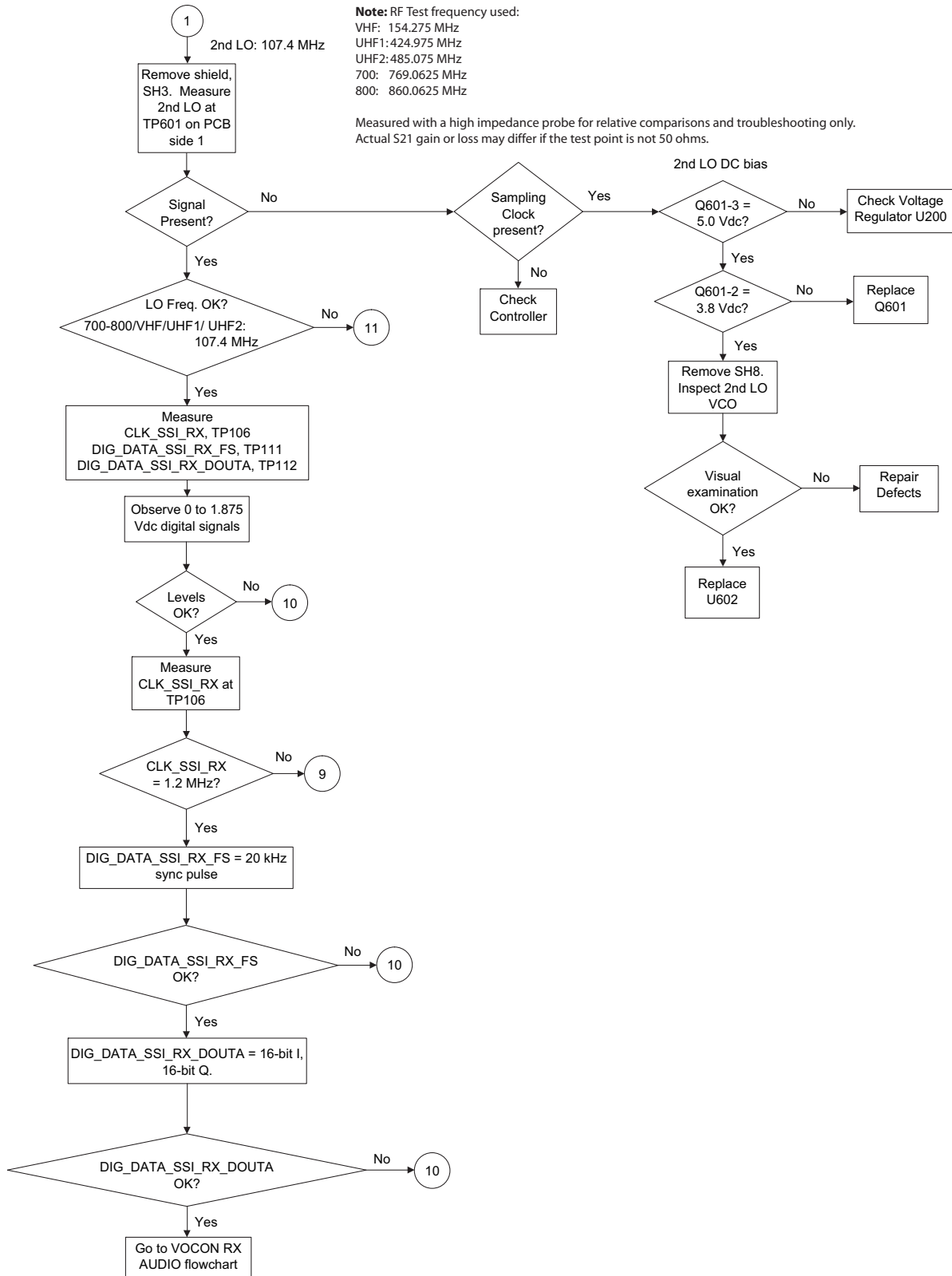
5.13 Secure Hardware Failure



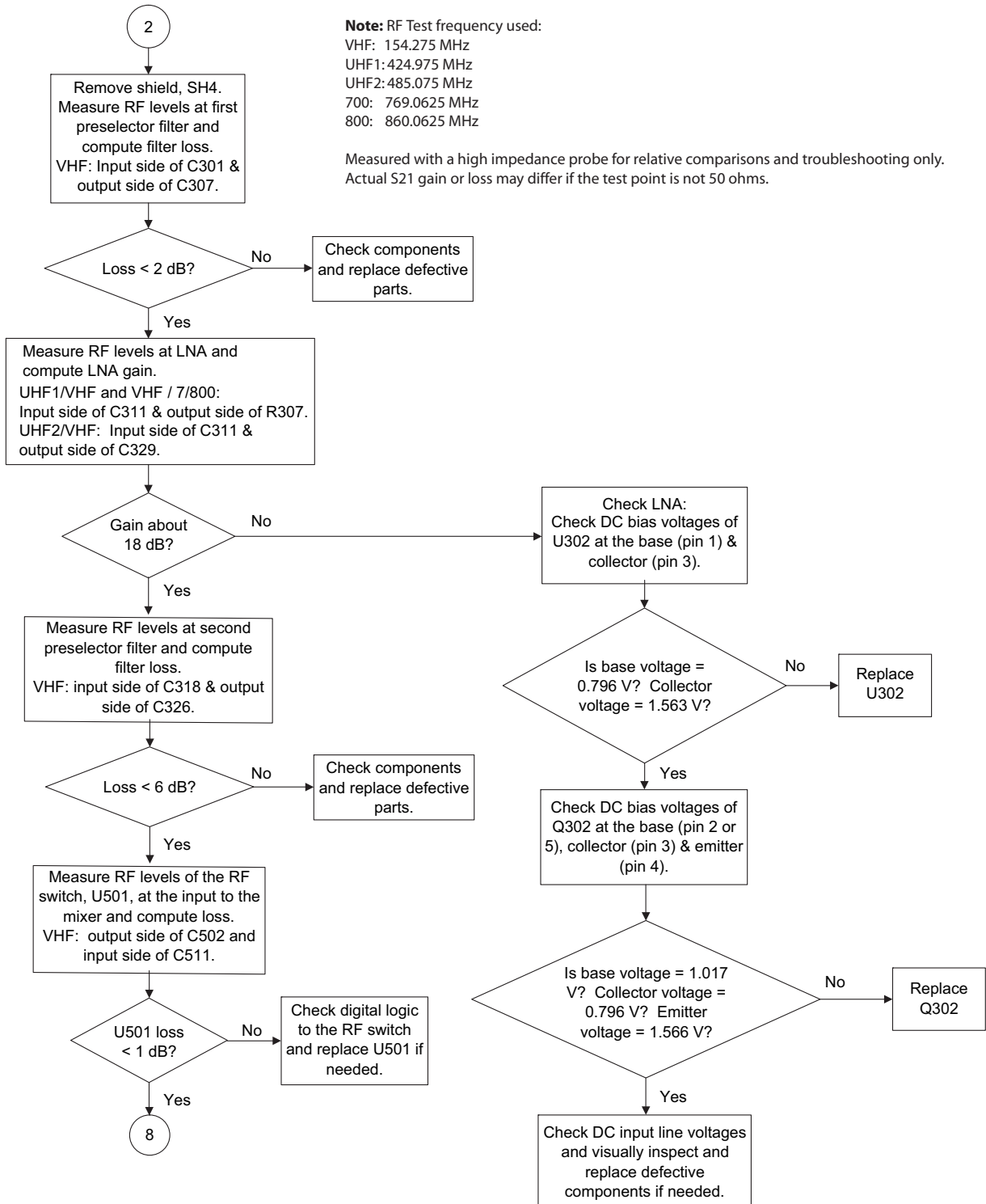
5.14 Removable Memory Failure



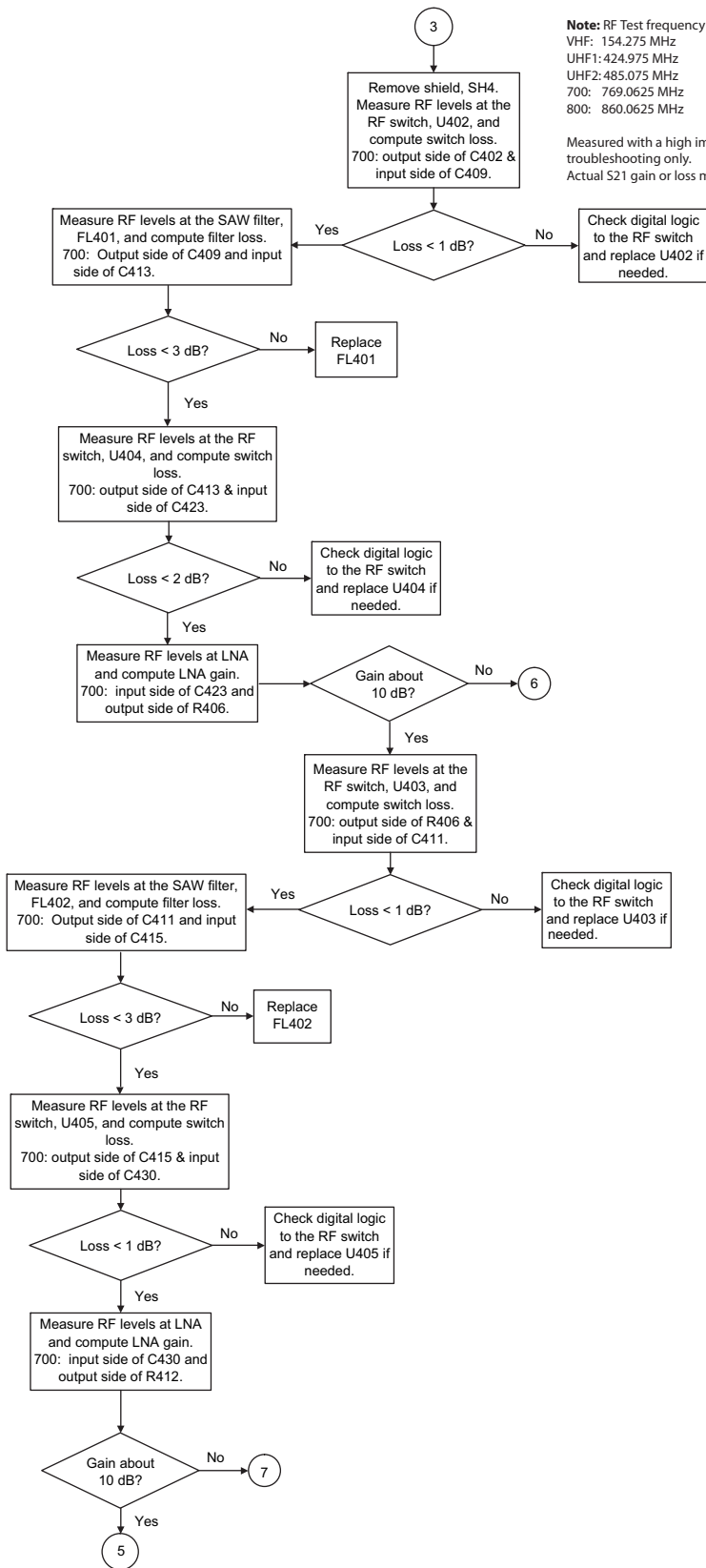
RX RF Failure – Page 2



RX RF Failure – Page 3



RX RF Failure – Page 4

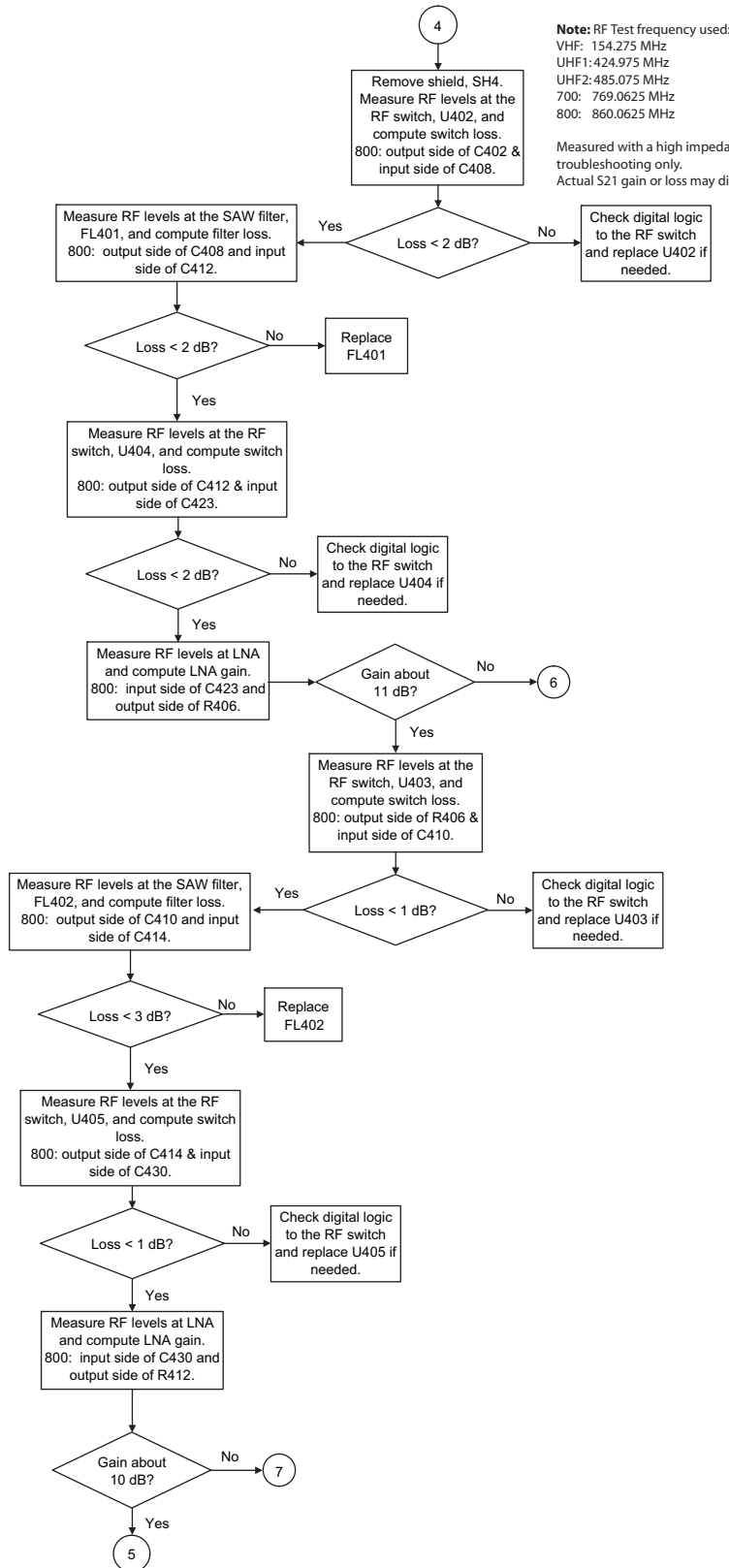


Note: RF Test frequency used:

- VHF: 154.275 MHz
- UHF1: 424.975 MHz
- UHF2: 485.075 MHz
- 700: 769.0625 MHz
- 800: 860.0625 MHz

Measured with a high impedance probe for relative comparisons and troubleshooting only.
Actual S21 gain or loss may differ if the test point is not 50 ohms.

RX RF Failure – Page 5



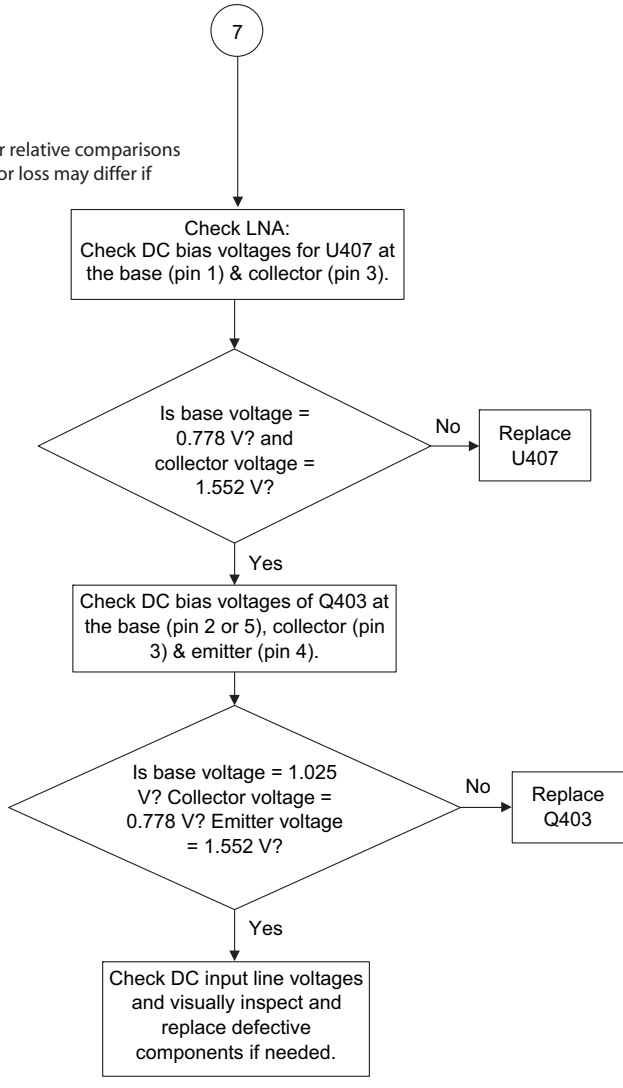
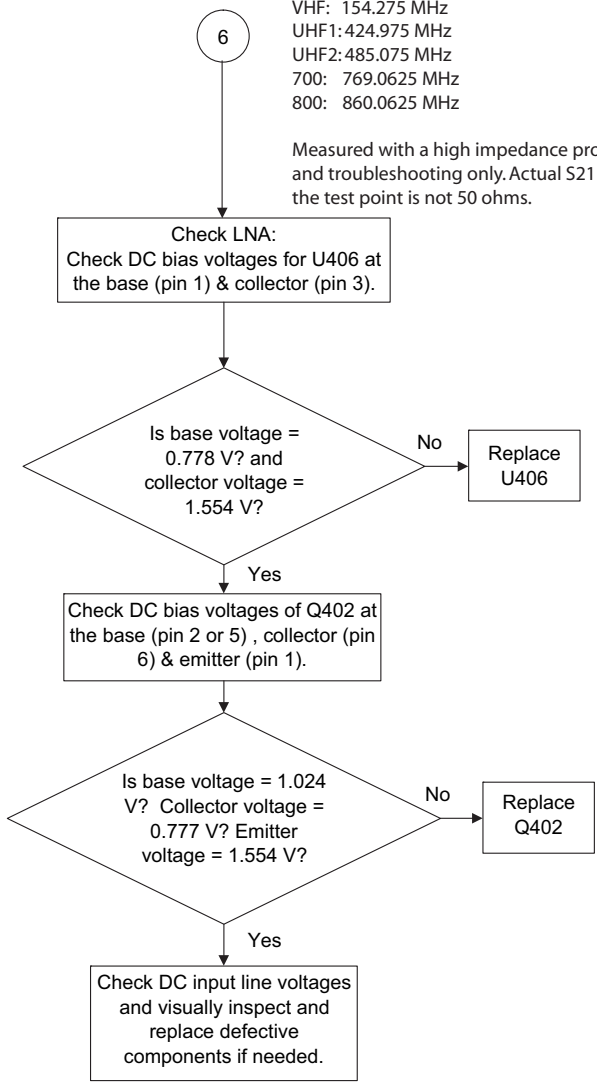
Note: RF Test frequency used:
 VHF: 154.275 MHz
 UHF1: 424.975 MHz
 UHF2: 485.075 MHz
 700: 769.0625 MHz
 800: 860.0625 MHz

Measured with a high impedance probe for relative comparisons and troubleshooting only.
 Actual S21 gain or loss may differ if the test point is not 50 ohms.

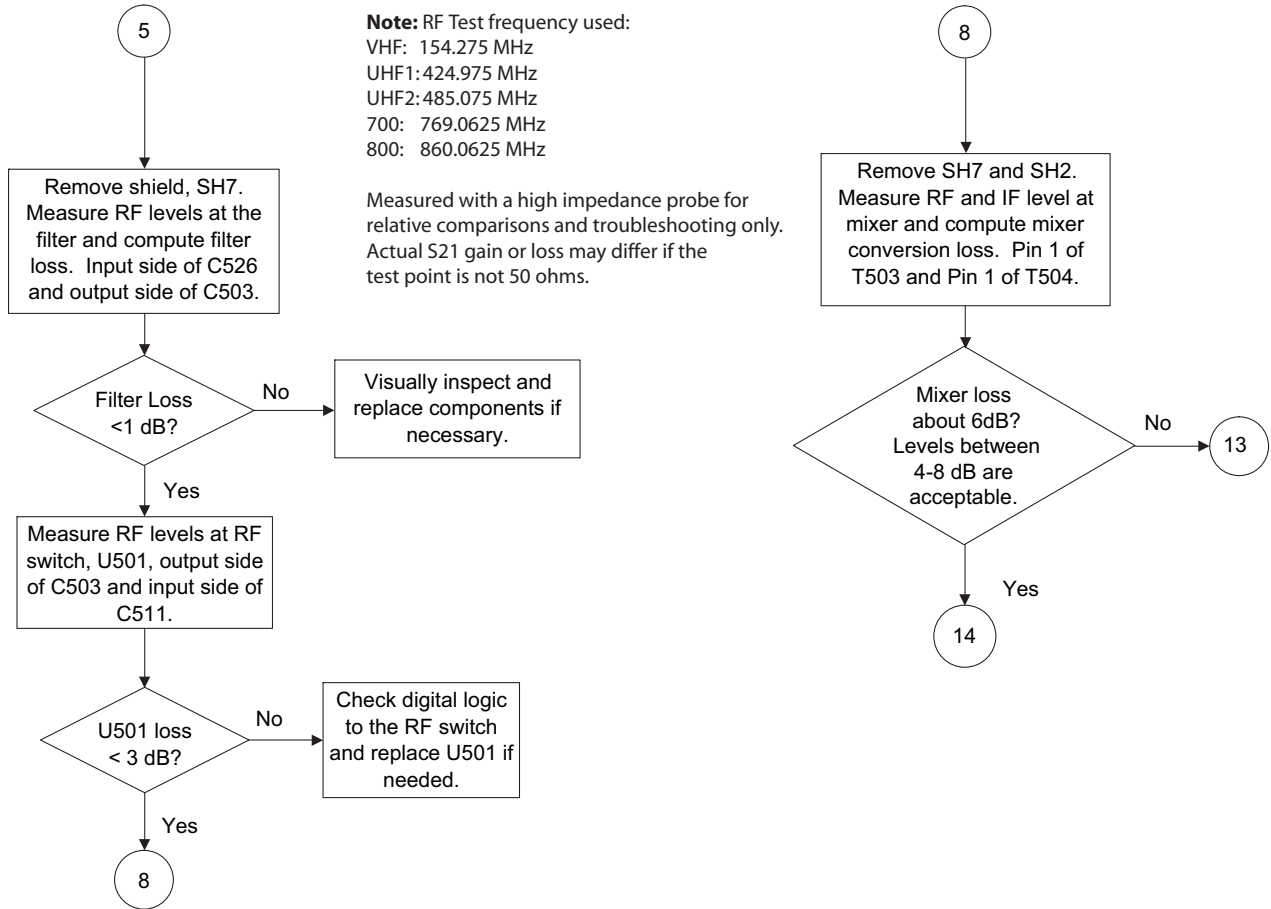
RX RF Failure – Page 6

Note: RF Test frequency used:
 VHF: 154.275 MHz
 UHF1: 424.975 MHz
 UHF2: 485.075 MHz
 700: 769.0625 MHz
 800: 860.0625 MHz

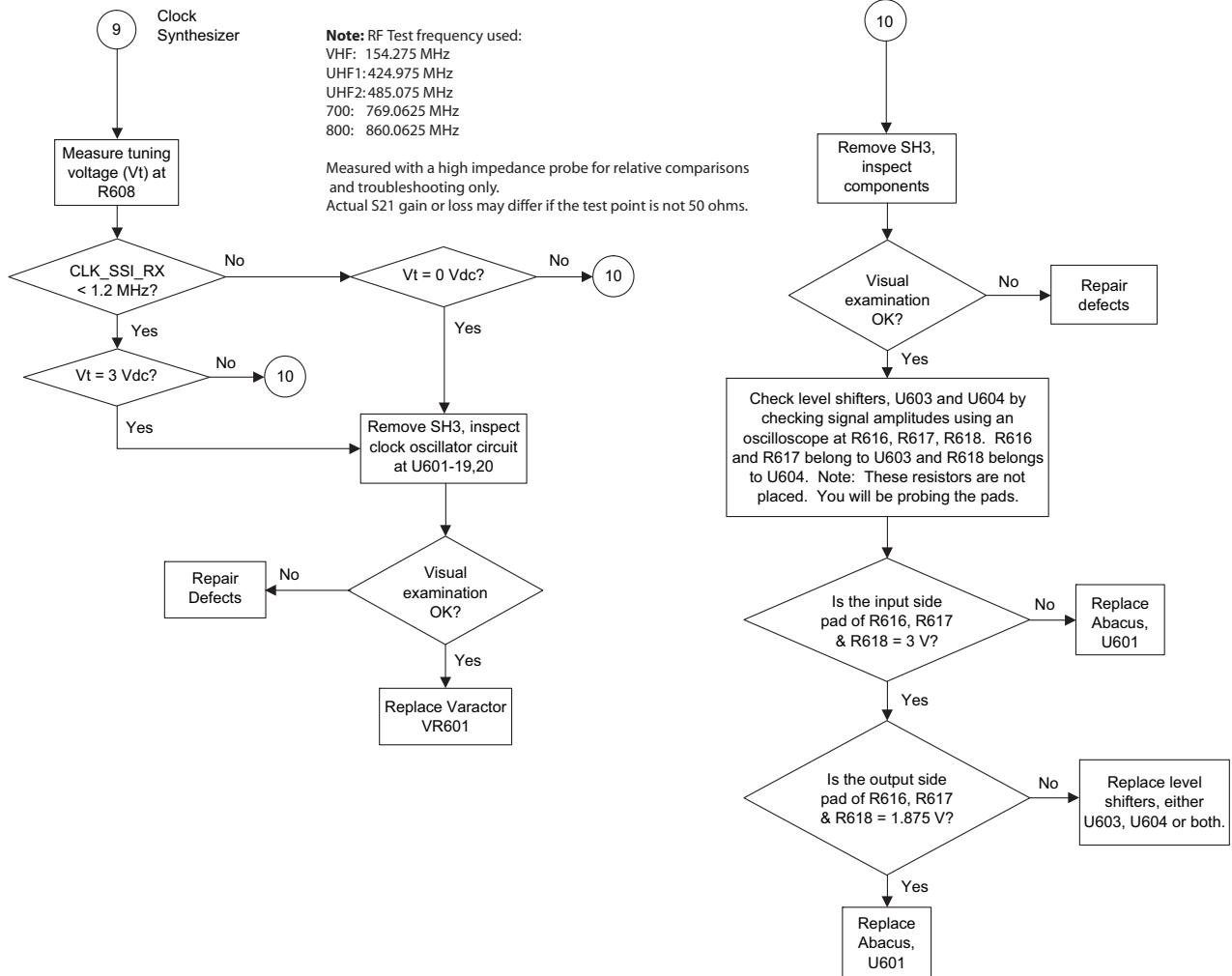
Measured with a high impedance probe for relative comparisons and troubleshooting only. Actual S21 gain or loss may differ if the test point is not 50 ohms.



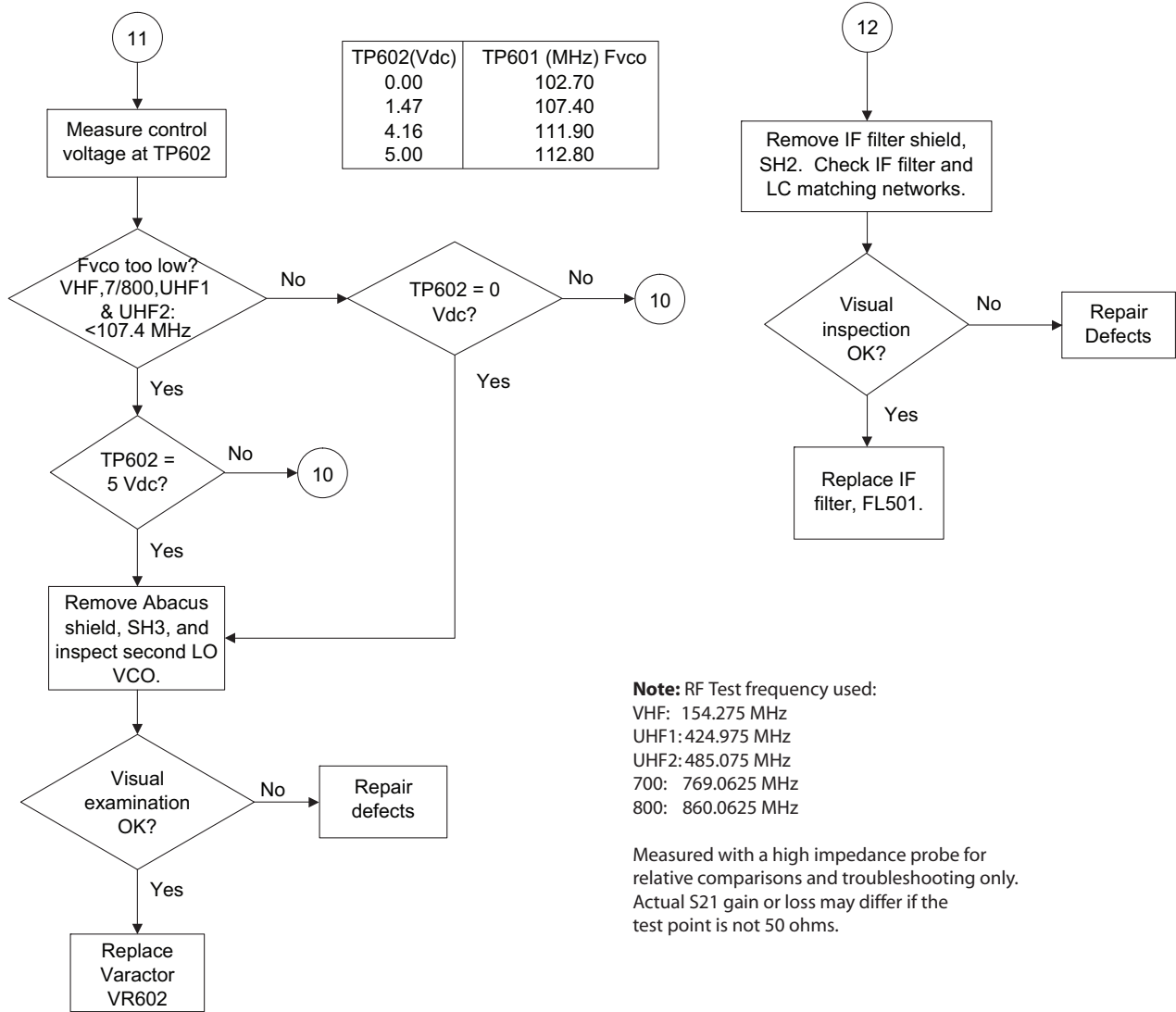
RX RF Failure – Page 7



RX RF Failure – Page 8



RX RF Failure – Page 9

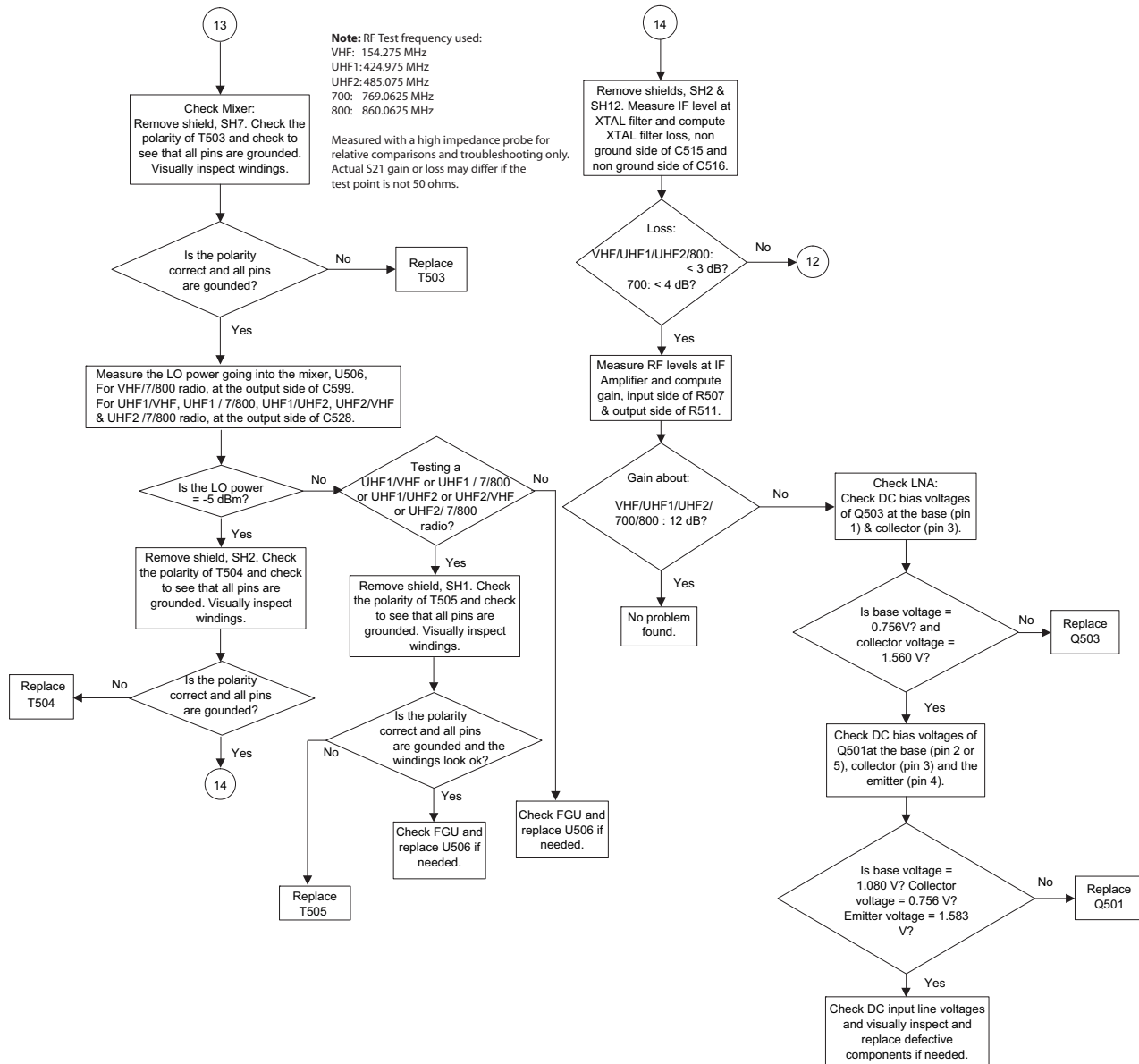


Note: RF Test frequency used:

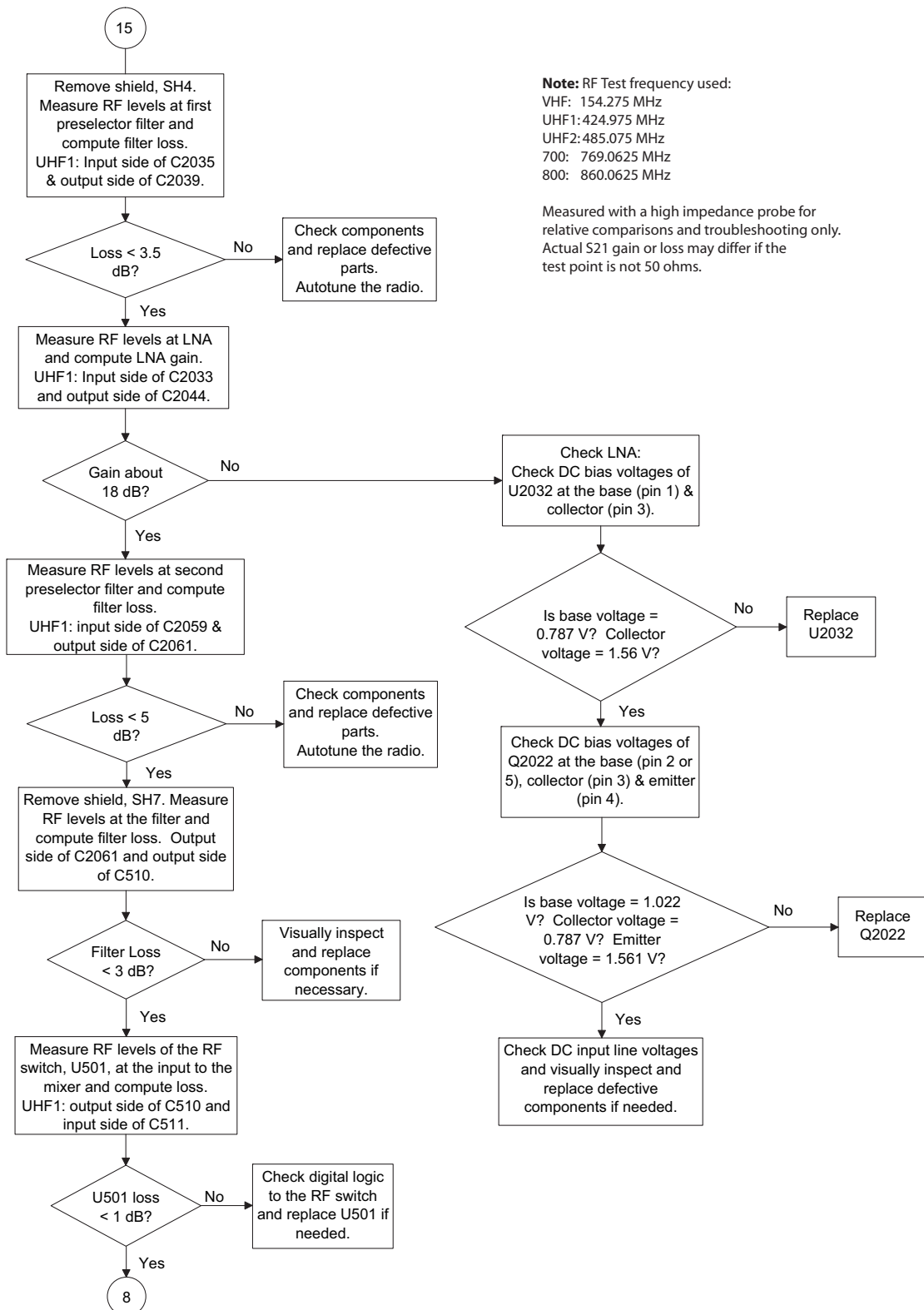
- VHF: 154.275 MHz
- UHF1: 424.975 MHz
- UHF2: 485.075 MHz
- 700: 769.0625 MHz
- 800: 860.0625 MHz

Measured with a high impedance probe for relative comparisons and troubleshooting only. Actual S21 gain or loss may differ if the test point is not 50 ohms.

RX RF Failure – Page 10



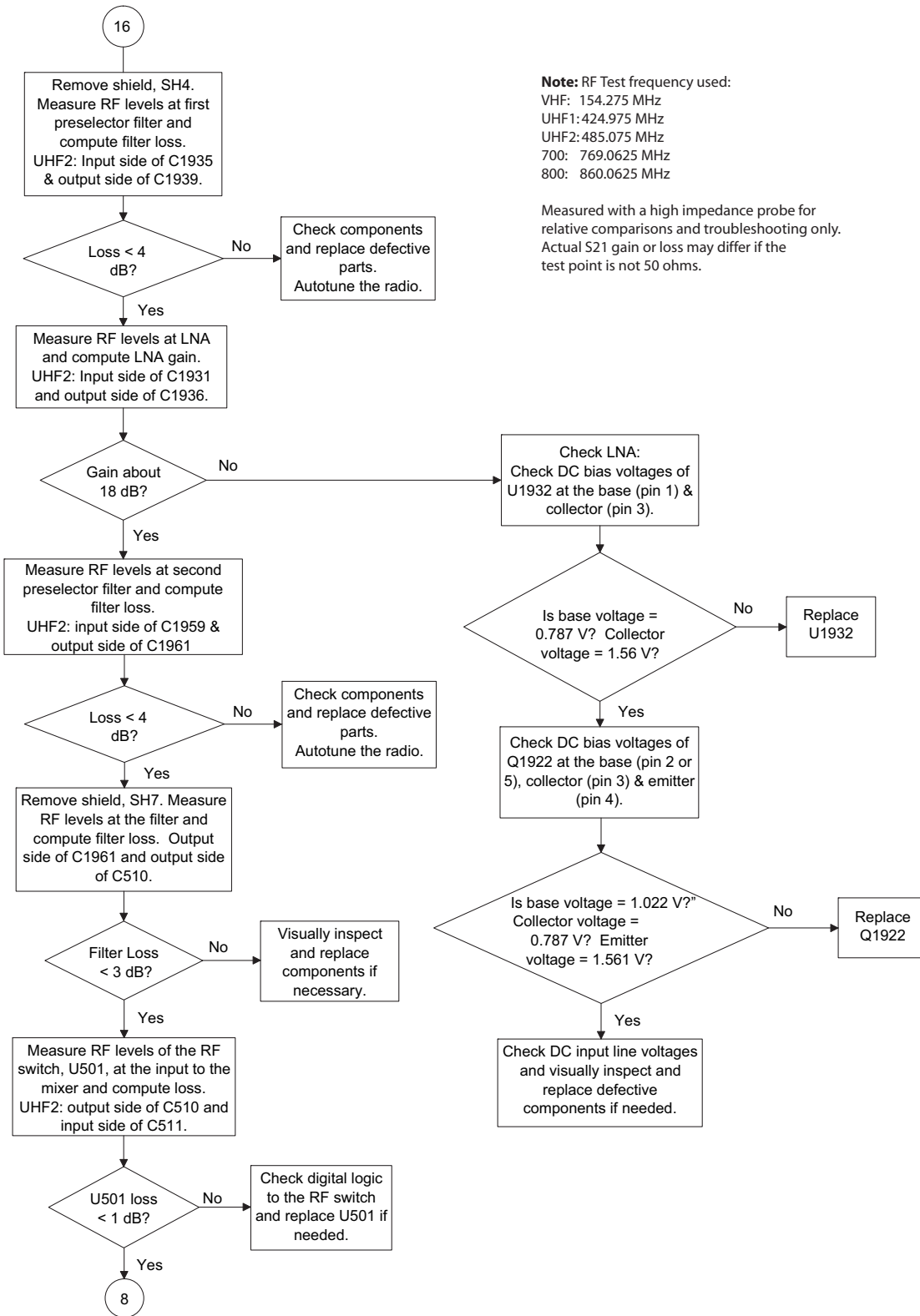
RX RF Failure – Page 11



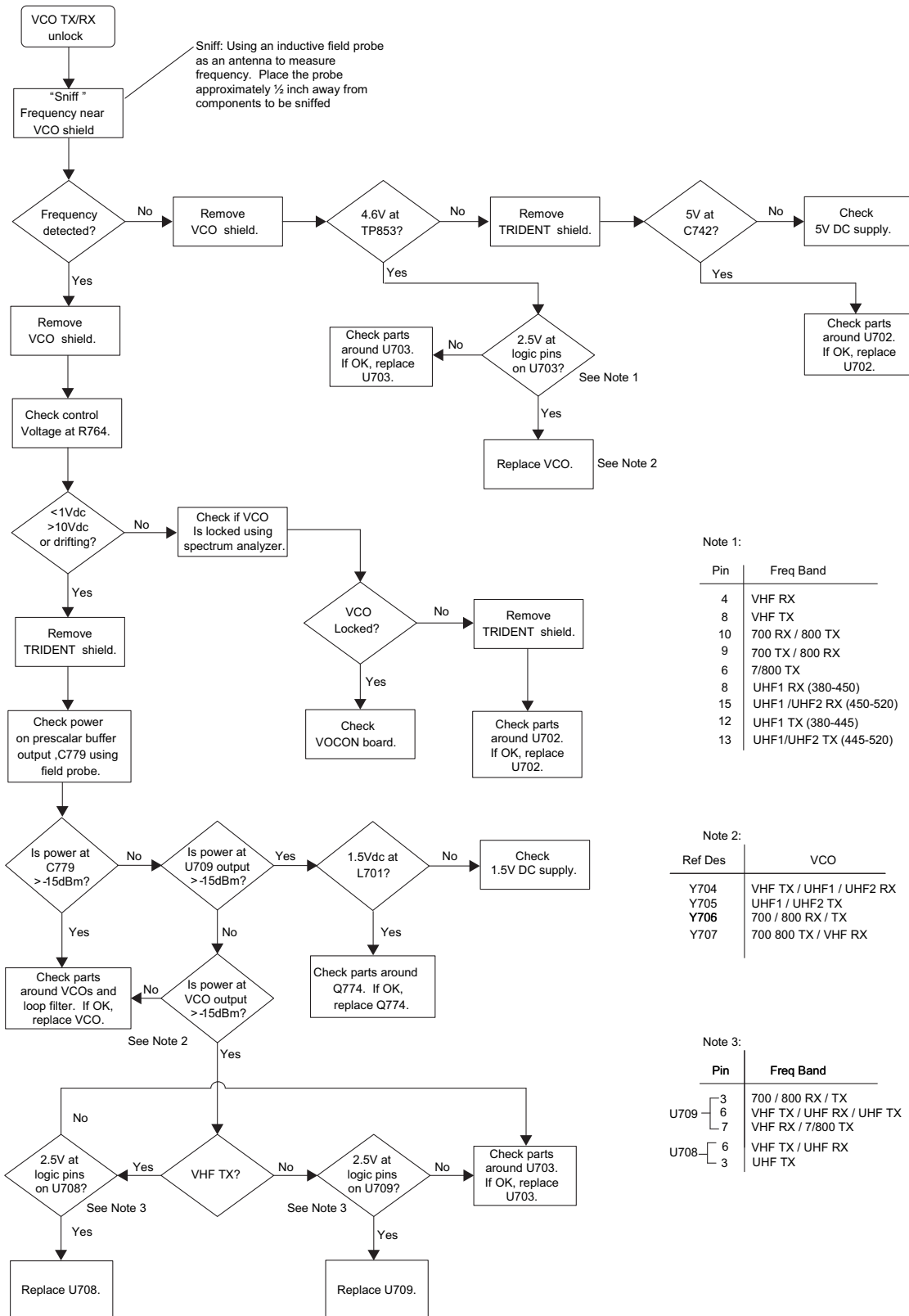
Note: RF Test frequency used:
 VHF: 154.275 MHz
 UHF1: 424.975 MHz
 UHF2: 485.075 MHz
 700: 769.0625 MHz
 800: 860.0625 MHz

Measured with a high impedance probe for relative comparisons and troubleshooting only. Actual S21 gain or loss may differ if the test point is not 50 ohms.

RX RF Failure – Page 12



5.16 FGU Failure



Note 1:

Pin	Freq Band
4	VHF RX
8	VHF TX
10	700 RX / 800 TX
9	700 TX / 800 RX
6	7/800 TX
8	UHF1 RX (380-450)
15	UHF1 /UHF2 RX (450-520)
12	UHF1 TX (380-445)
13	UHF1/UHF2 TX (445-520)

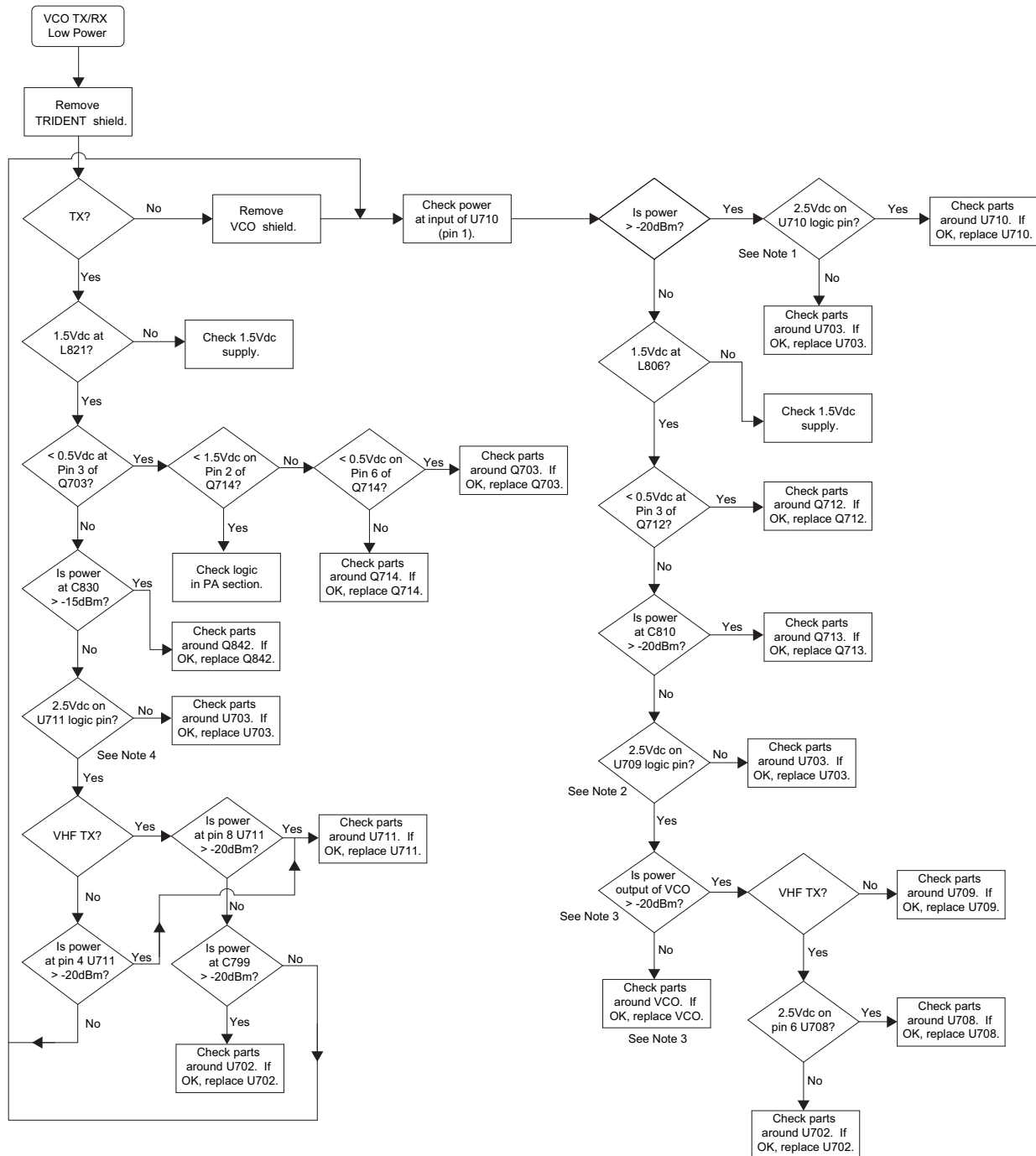
Note 2:

Ref Des	VCO
Y704	VHF TX / UHF1 / UHF2 RX
Y705	UHF1 / UHF2 TX
Y706	700 / 800 RX / TX
Y707	700 800 TX / VHF RX

Note 3:

Pin	Freq Band
U709	3 700 / 800 RX / TX
	6 VHF TX / UHF RX / UHF TX
	7 VHF RX / 7/800 TX
U708	6 VHF TX / UHF RX
	3 UHF TX

5.17 FGU Power Failure



Note 1:

U710 Pin	Freq Band
3	700 / 800 / VHF RX / UHF RX
6	700 / 800 TX / 7/800 TX / UHF TX
7	VHF TX

Note 2:

U709 Pin	Freq Band
3	700 / 800 RX / TX
6	VHF TX / UHF RX / UHF TX
7	VHF RX / 7/800 TX

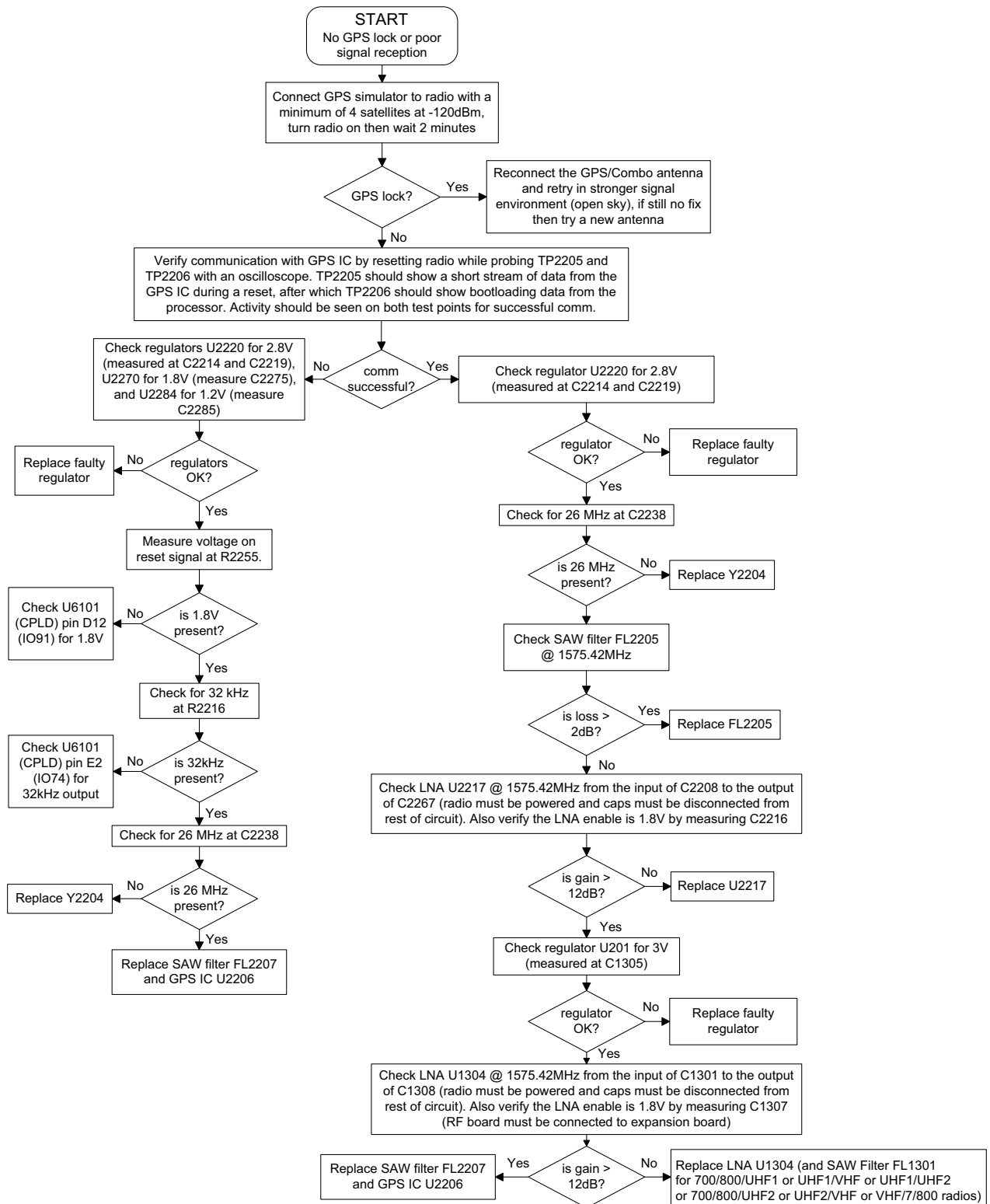
Note 3:

Ref Des	VCO
Y704	VHF TX / UHF1 / UHF2 RX
Y705	UHF1 / UHF2 TX
Y706	700 / 800 RX / TX
Y707	7/800 TX / VHF RX

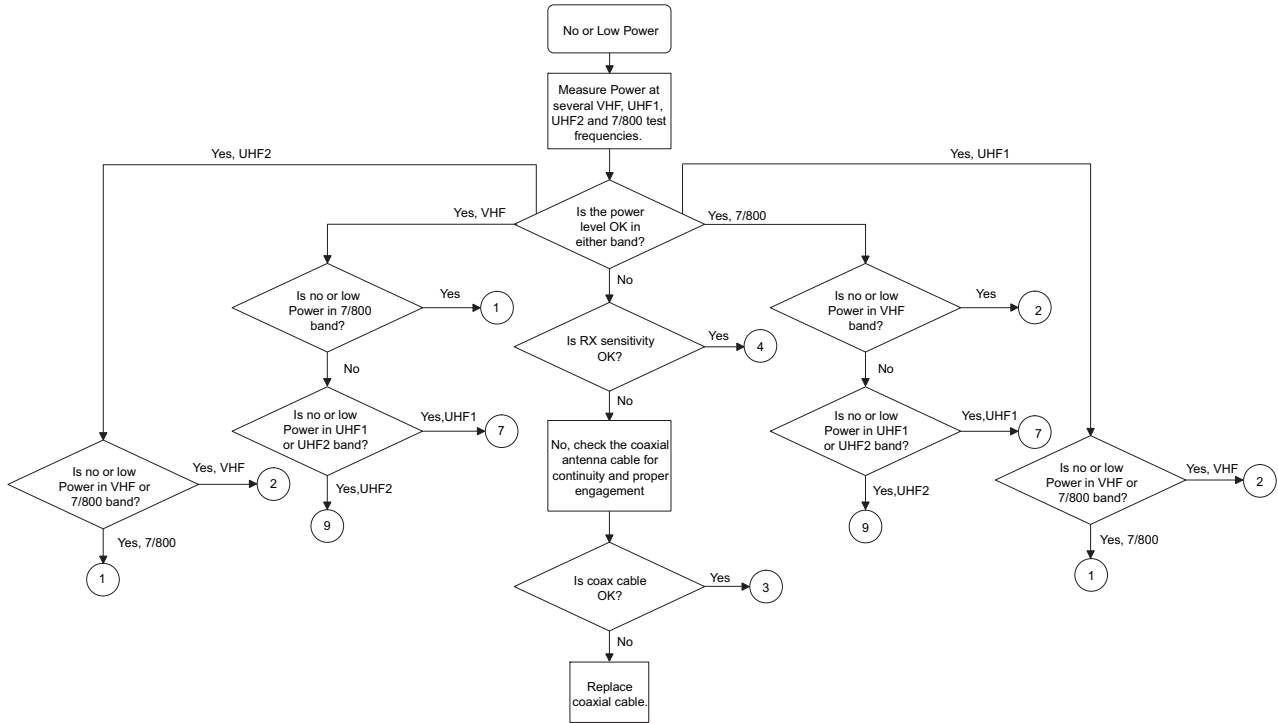
Note 4:

U711 Pin	Freq Band
6	700 / 800 TX / 7/800 TX / UHF TX
7	VHF TX

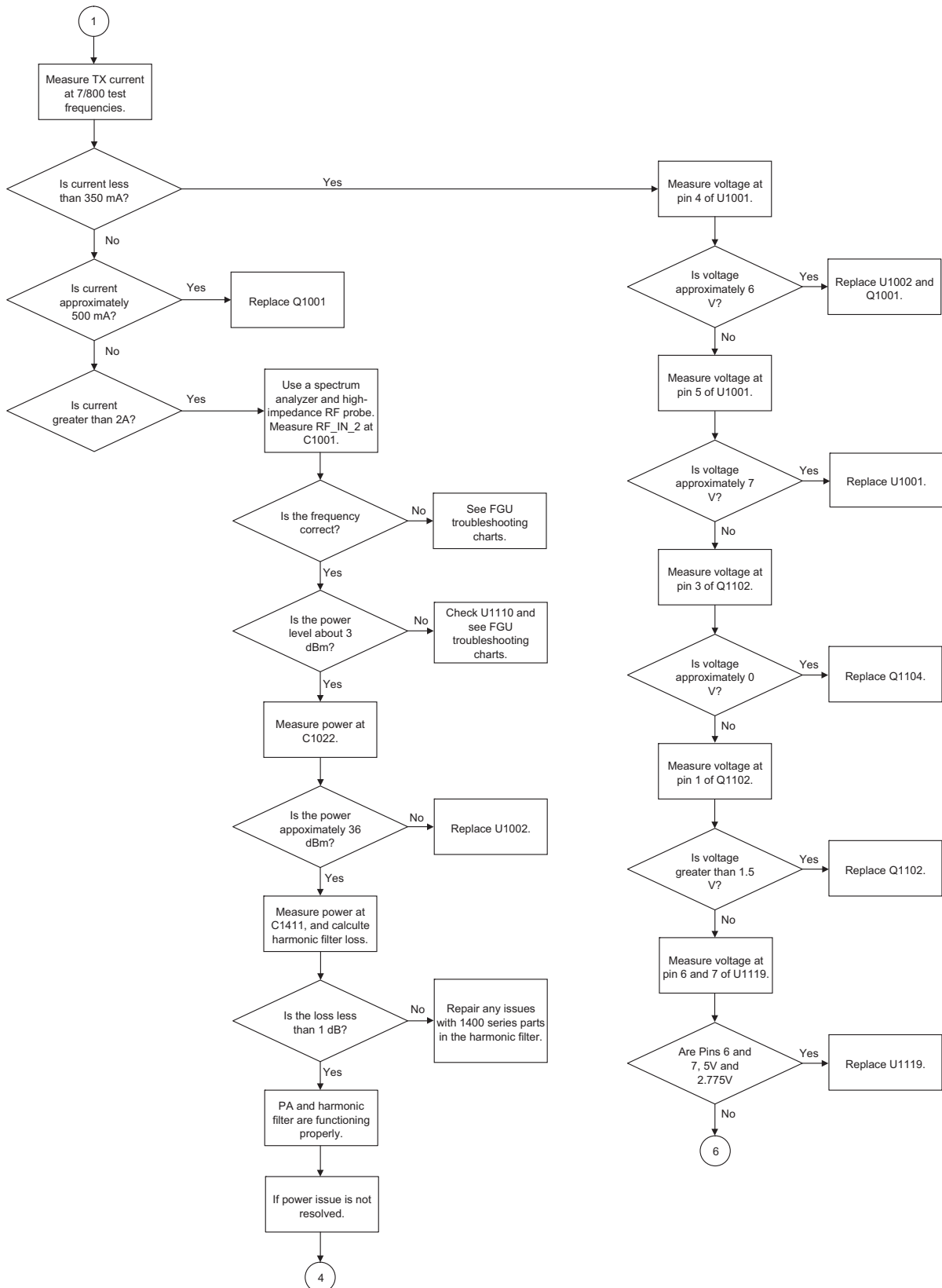
5.18 GPS Failure



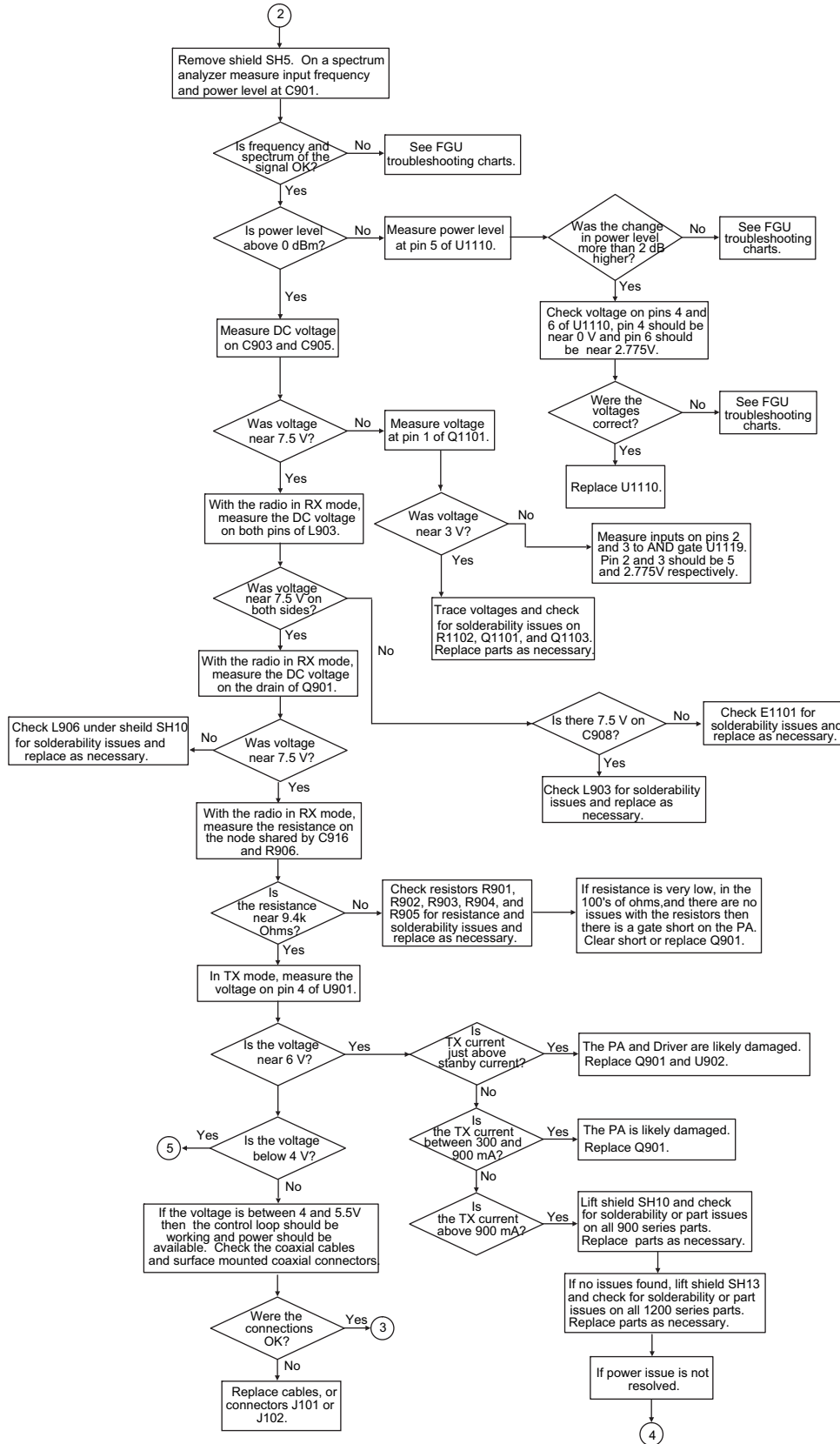
5.19 PA Failure – Main



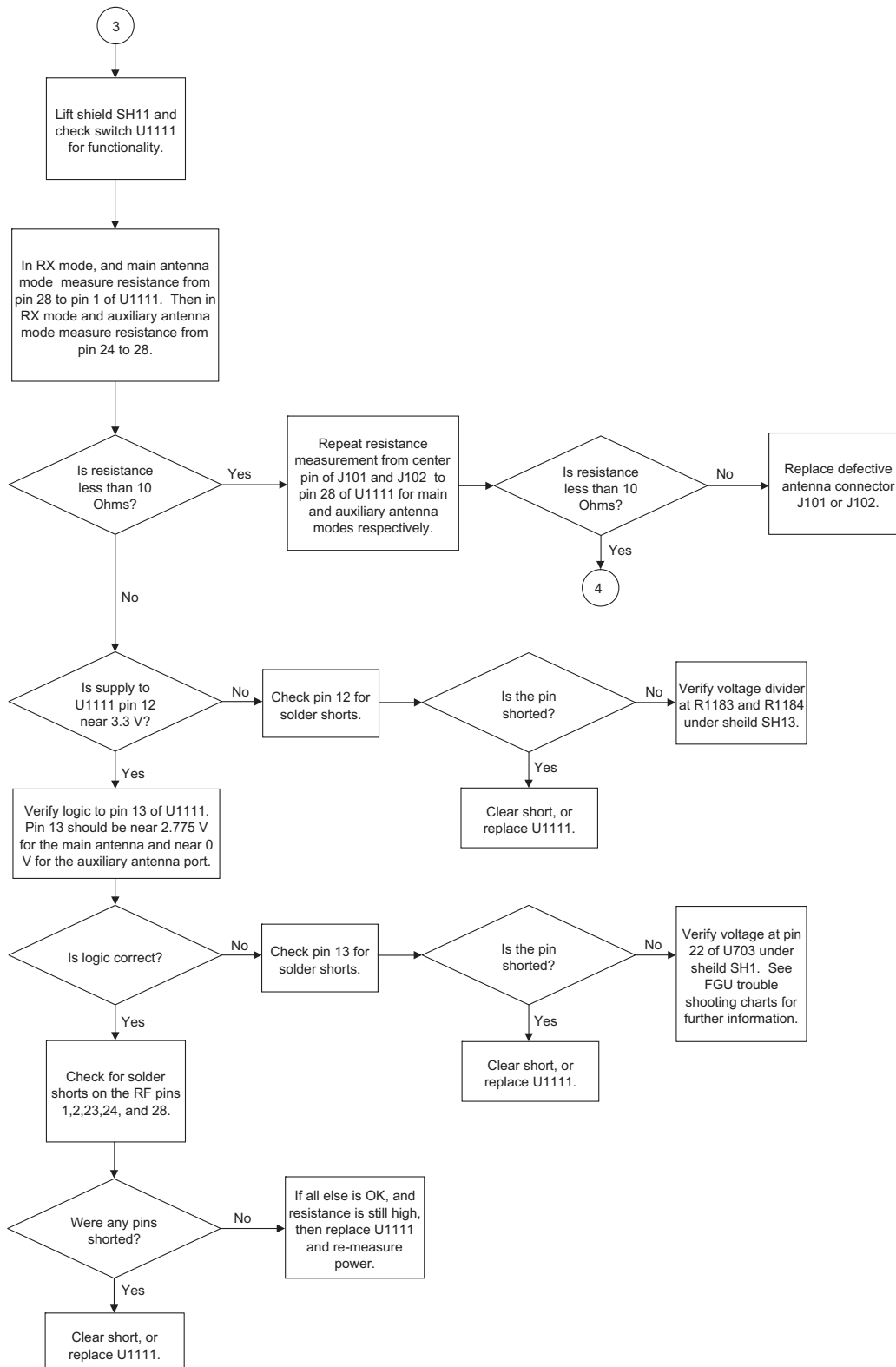
PA Failure – Page 1 (7/800 PA)



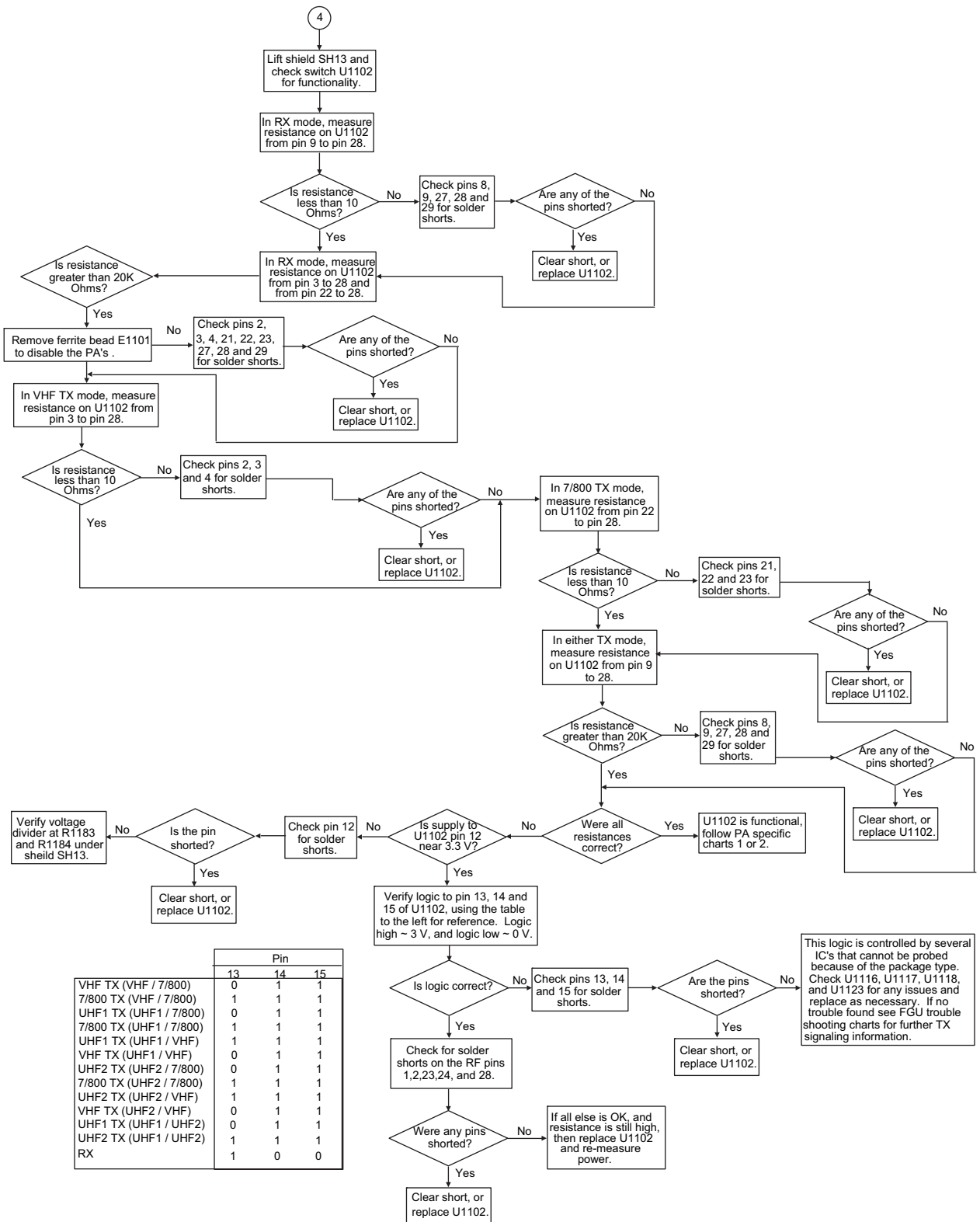
PA Failure – Page 2 (VHF PA)



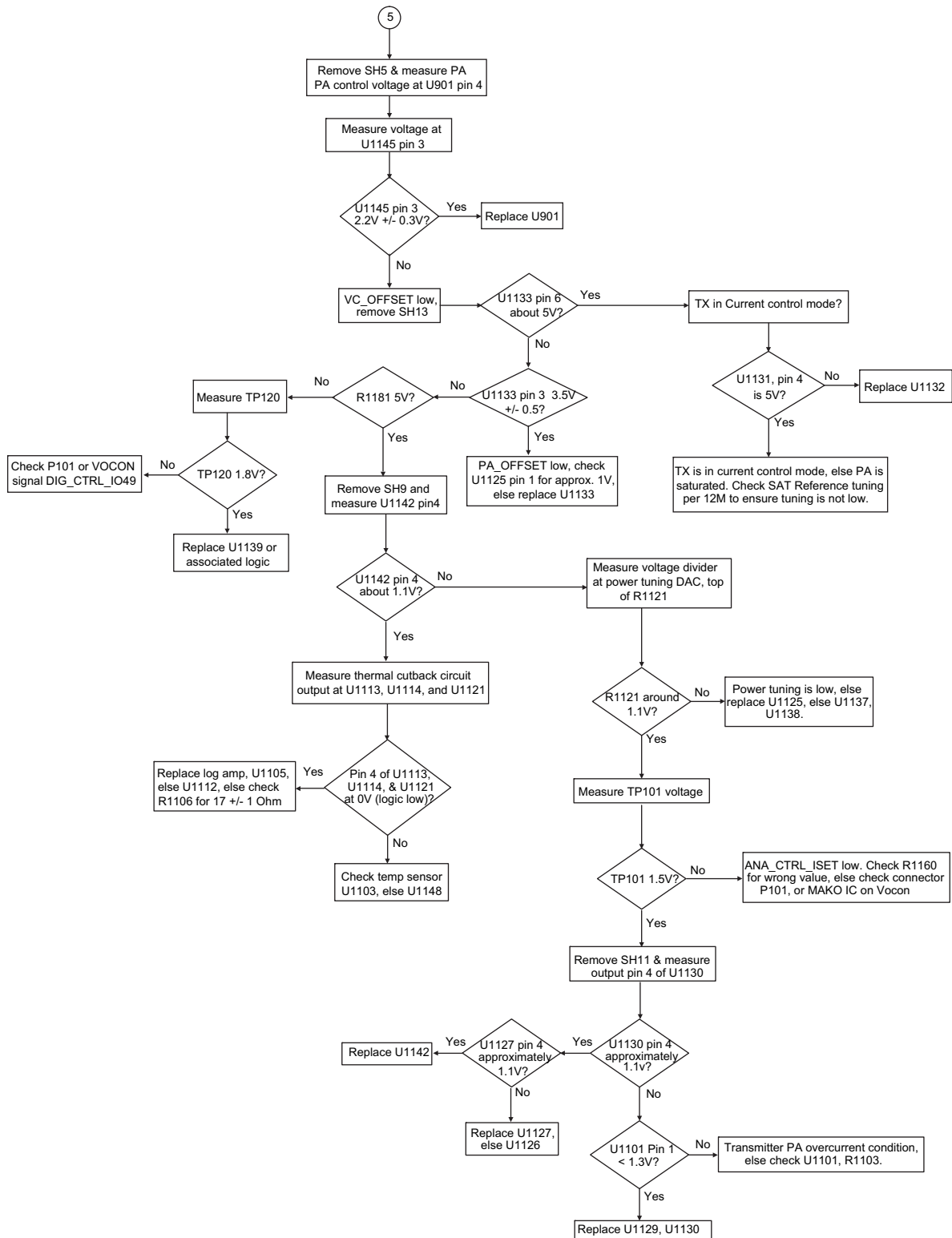
PA Failure – Page 3 (Aux Antenna Switch)



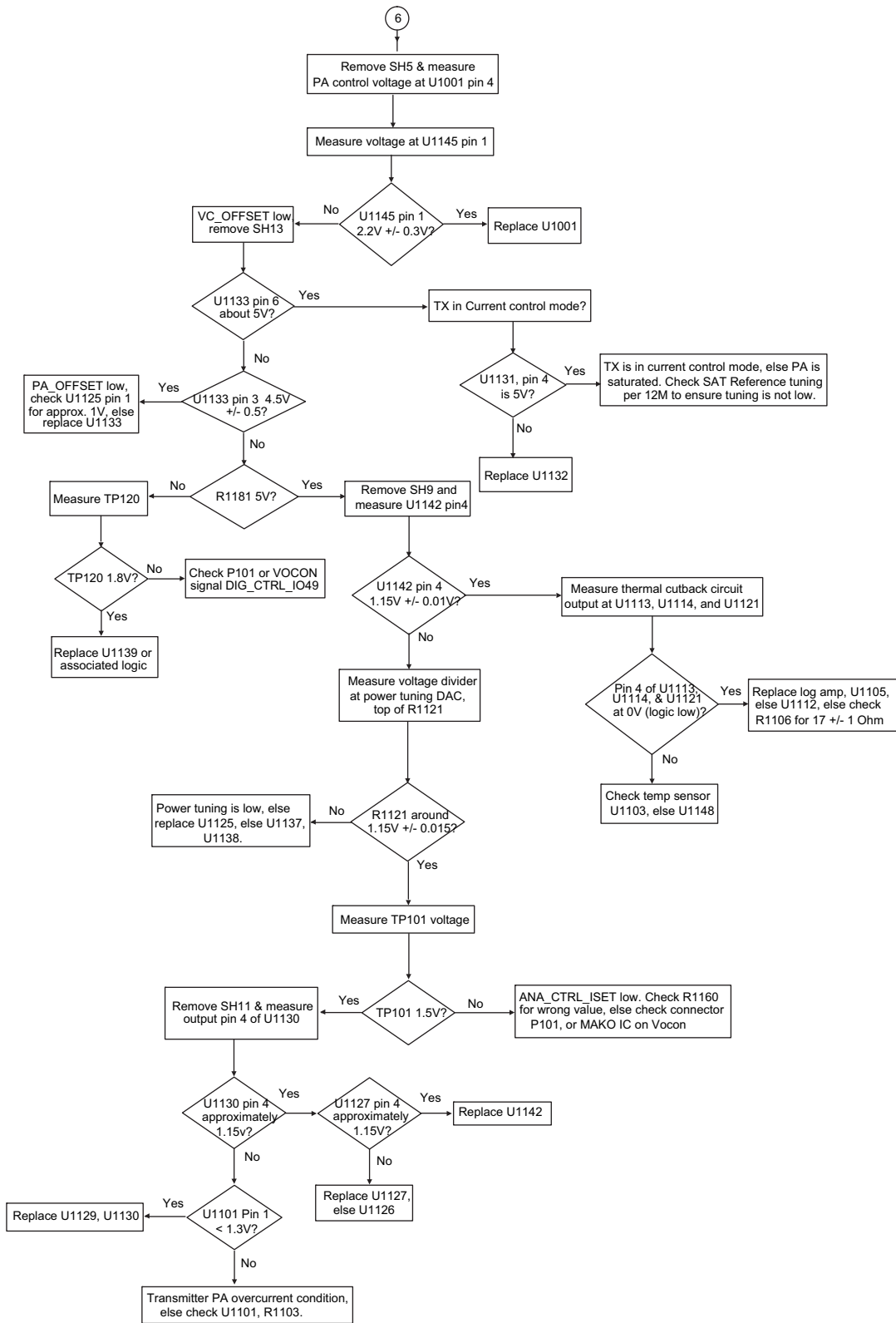
PA Failure – Page 4 (Multi Switch)



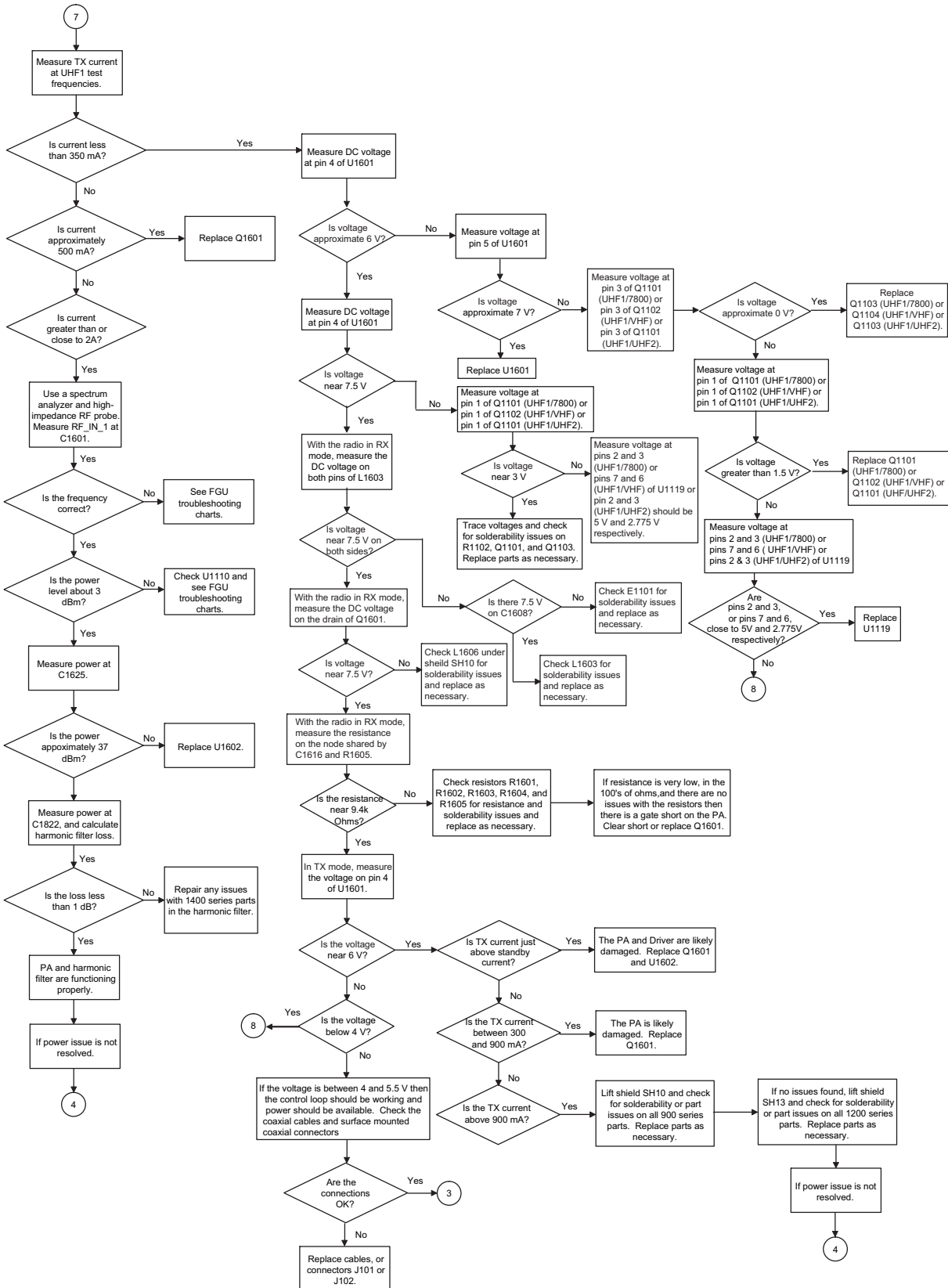
PA Failure – Page 5 (VHF ALC)



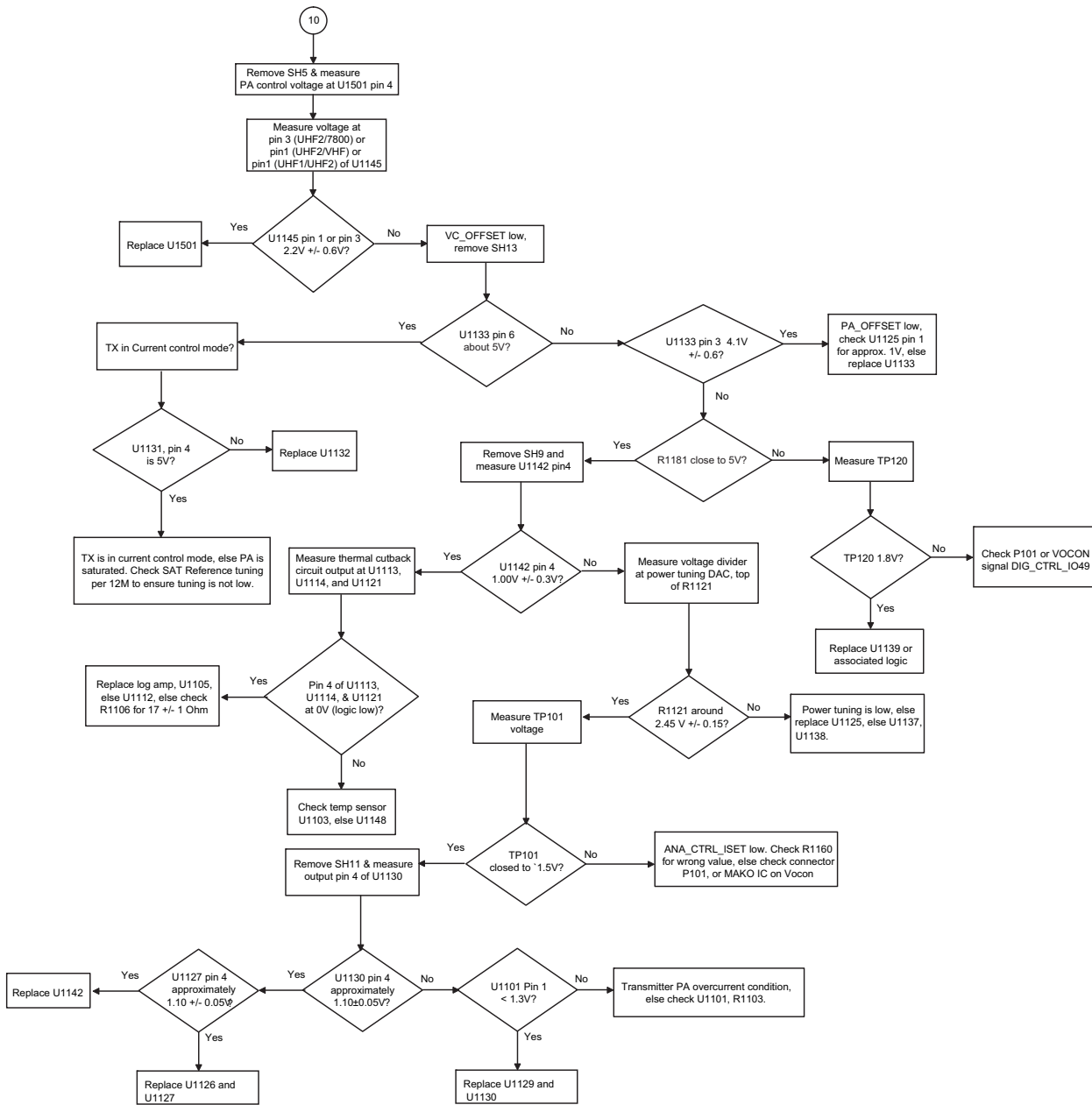
PA Failure – Page 6 (7/800 ALC)



PA Failure – Page 7 (UHF1 PA)



PA Failure – Page 10 (UHF2 ALC) Notes



Chapter 6 Troubleshooting Waveforms

This chapter contains images of waveforms that might be useful in verifying operation of certain parts of the circuitry. These waveforms are for reference only; the actual data depicted will vary depending on operating conditions.

6.1 List of Waveforms

Table 6-1 lists each waveform and the page on which the waveform can be found.

Table 6-1. List of Waveforms

Waveform	Page No.
Clocks	
32 kHz Clock	6-3
4 MHz Clock	6-4
12 MHz Clock	6-5
16.8 MHz Clock	6-6
24 MHz Clock	6-7
Audio SSI	
Red Tx	6-8
Red Rx	6-9
Sync.	6-10
BCLK	6-11
RX SSI	
CLK.	6-12
DA	6-13
FSync.	6-14
TX SSI	
CLK.	6-15
DA.	6-16
FSync.	6-17
SPI	
CLK	6-18
CLK INV	6-19
CS	6-20
MOSI	6-21

Table 6-1. List of Waveforms (Continued)

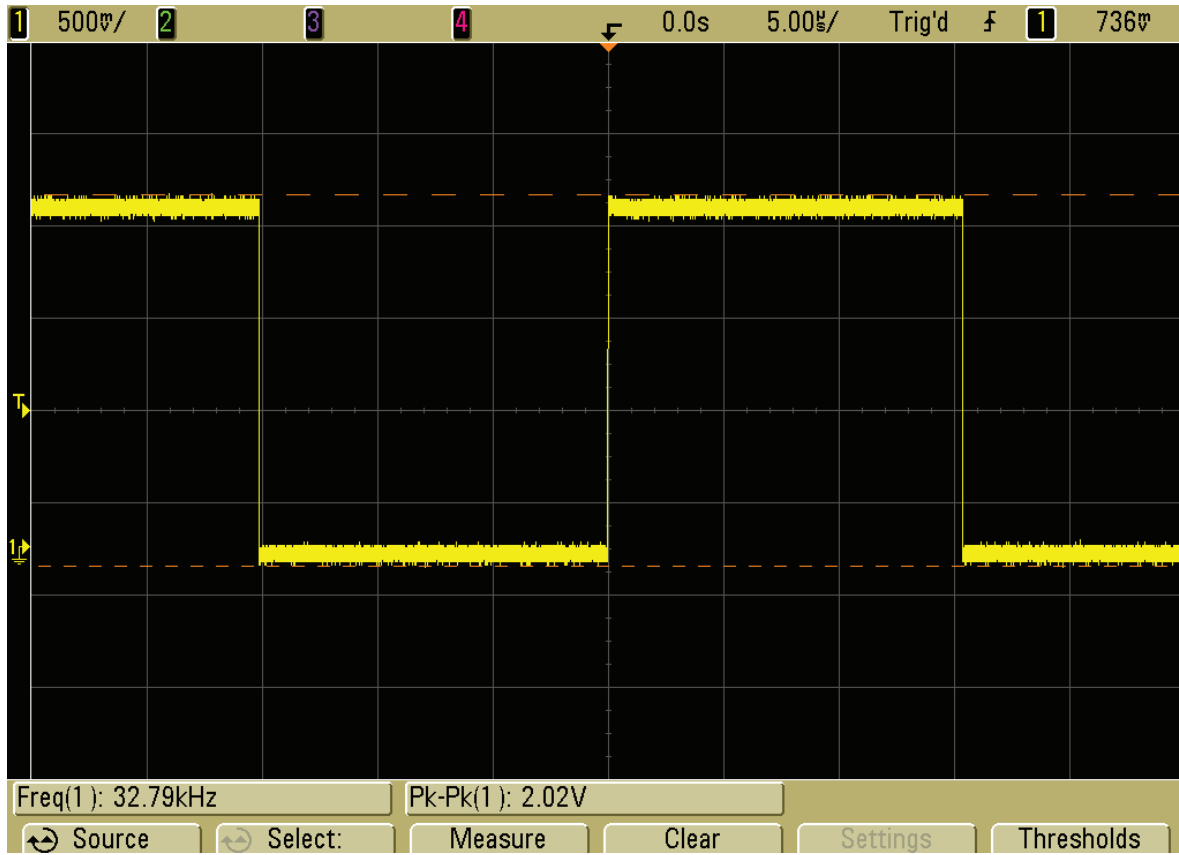
Waveform	Page No.
I2C BUS	
SCL	6-22
SCL 5V	6-23
SDA	6-24
One Wire	
1-Wire	6-25
GCAI	
GPIO1	6-26
GPIO3	6-27
GPIO4	6-28
USB	
D-	6-29
D+	6-30
UART	
RX	6-31
TX	6-32
SDRAM	
CLK	6-33
CLKX	6-34
FLASH CONTROL	
ADV	6-35
CPLD CS	6-36
CS3	6-37
OE	6-38

Table 6-1. List of Waveforms (Continued)

Waveform	Page No.
RDY	6-39
WAIT	6-40
WE	6-41
Removable Memory	
MMC2 CMD	6-42
MMC2 D0	6-43
MMC2 D1	6-44
MMC2 D2	6-45
MMC2 D3	6-46
MMC2 CMD DIR	6-47
MMC2 D0 DIR	6-48
MMC2 D1 DIR	6-49
MMC2 CLK	6-50
Receive Baseband Signals	
Receive Baseband Signals	6-51
GPS	
GPS TCXO (26 MHz TCXO)	6-52
GPS RTC (GPS 32 kHz RTC)	6-53
GPS UART (RX / TX) Data	6-54

6.2 Clocks

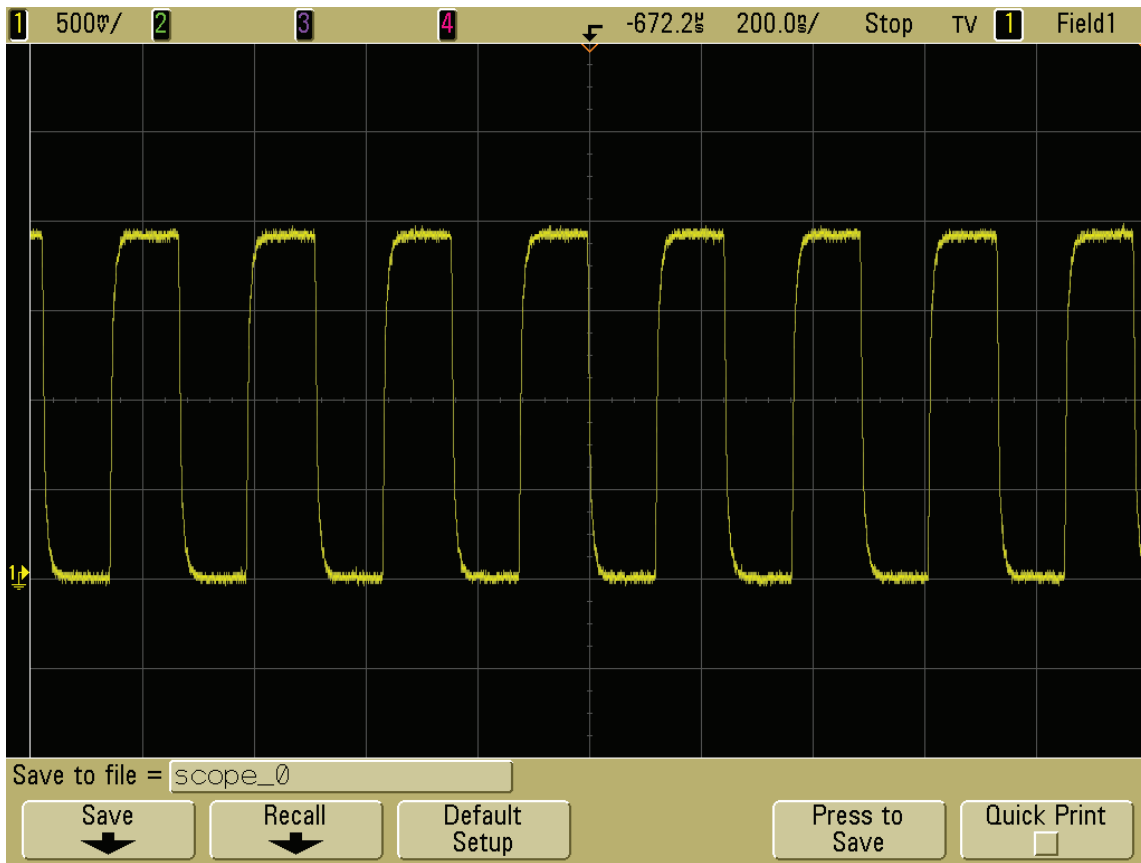
6.2.1 32 kHz Clock



Trace 1: Trace recorded at R6114.

Figure 6-1. 32 kHz Clock Waveform

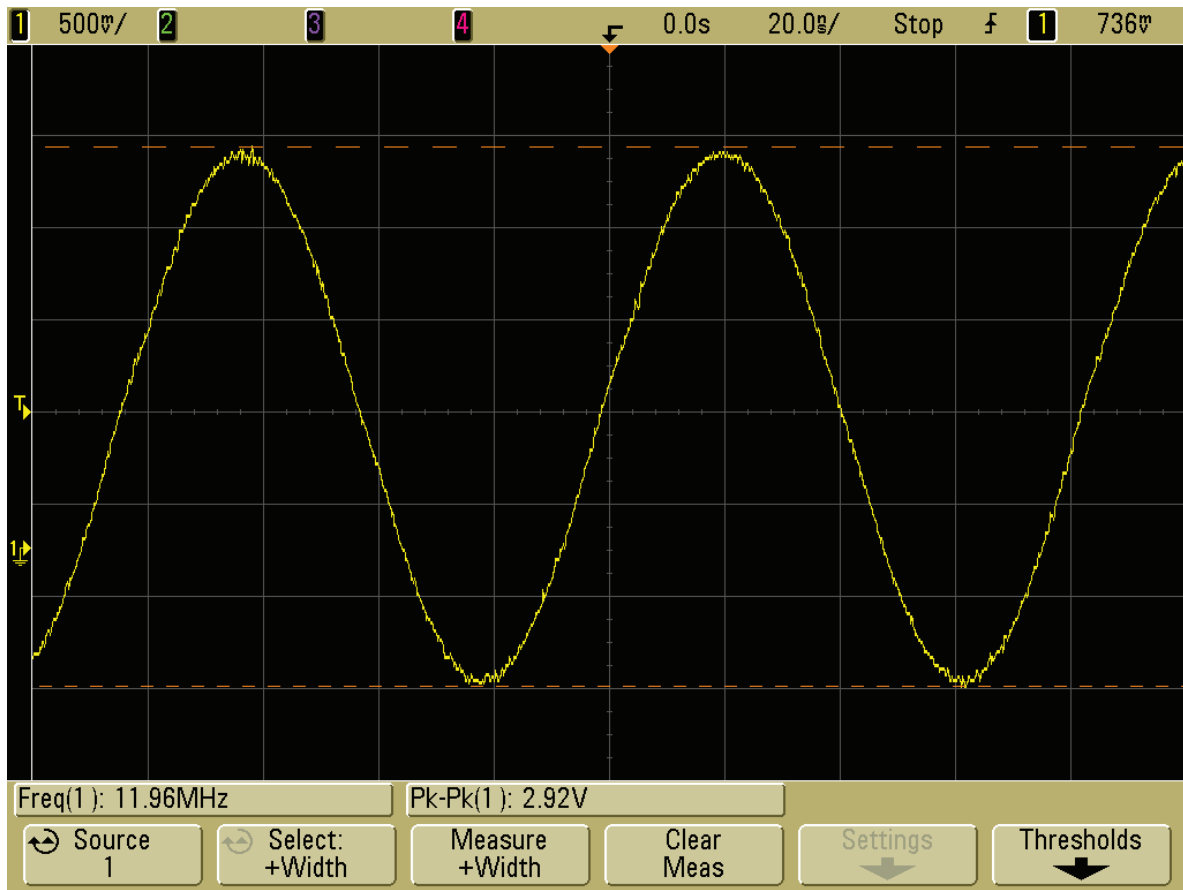
6.2.2 4 MHz Clock



Trace 1: Trace recorded at R6113.

Figure 6-2. 4 MHz Clock Waveform

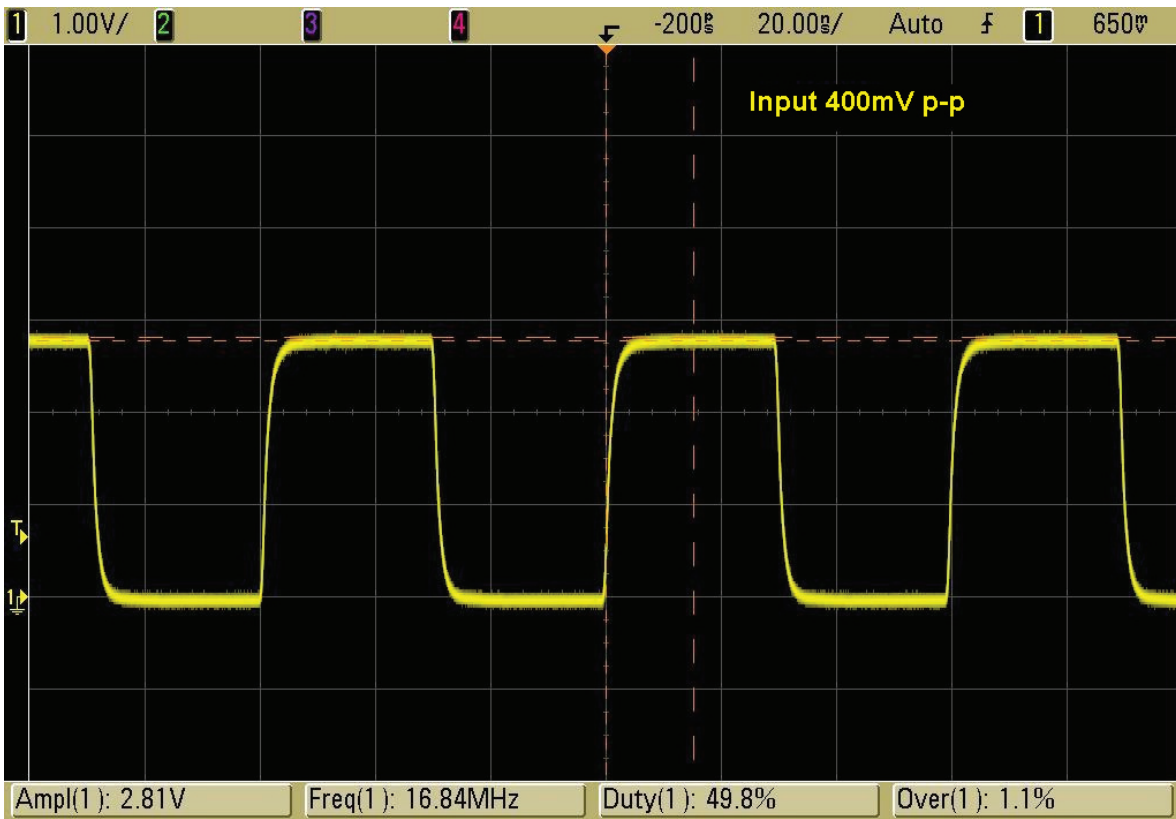
6.2.3 12 MHz Clock



Trace 1: Trace recorded at R6602.

Figure 6-3. 12 MHz Clock Waveform

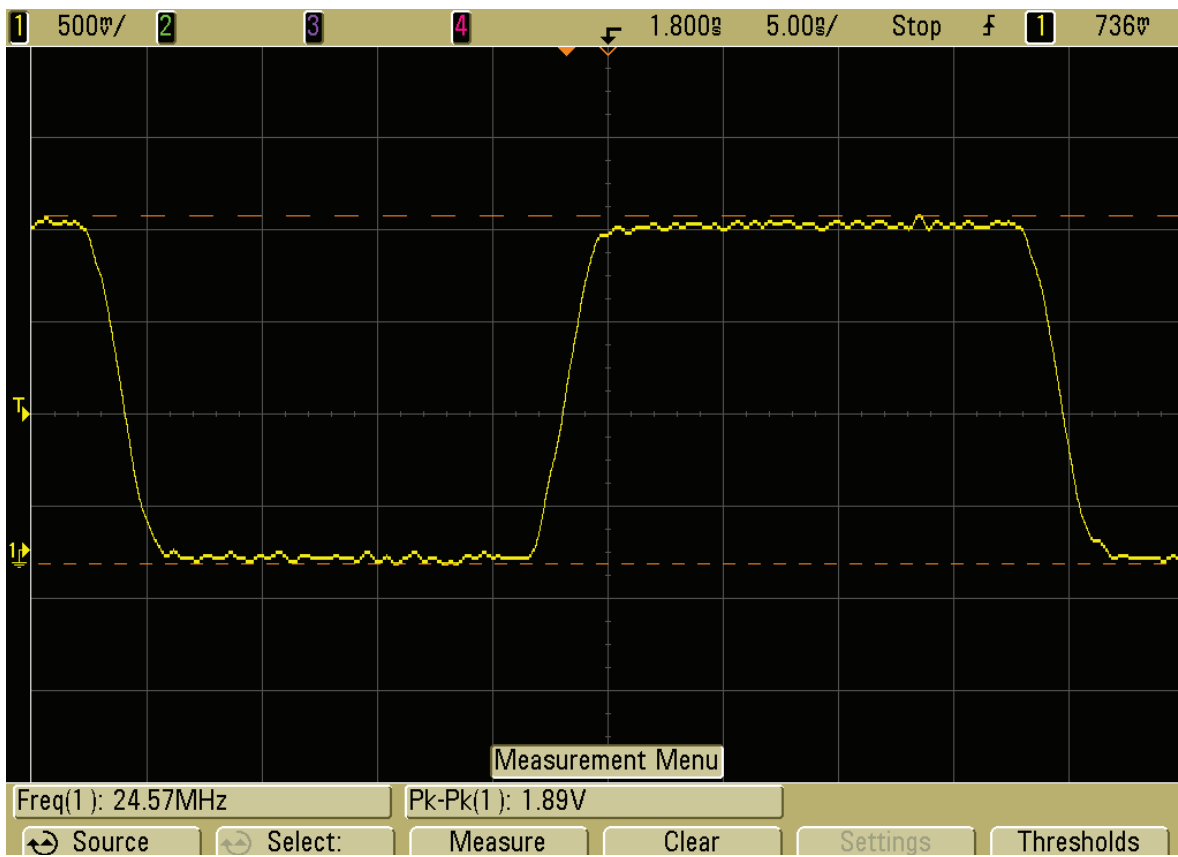
6.2.4 16.8 MHz Clock



Trace 1: Trace recorded at Pin 3 of J1001.

Figure 6-4. 16.8 MHz Clock Waveform

6.2.5 24 MHz Clock

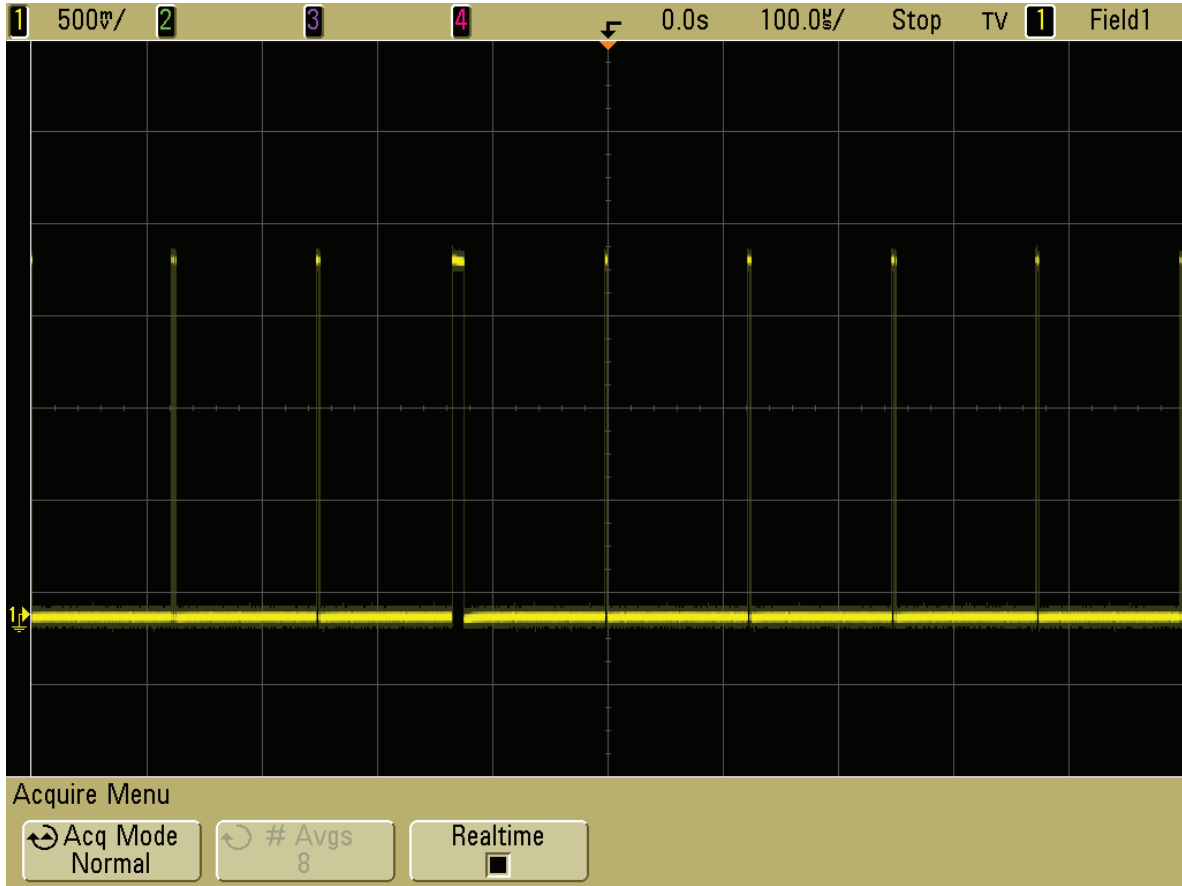


Trace 1: Trace recorded at R6572.

Figure 6-5. 24 MHz Clock Waveform

6.3 Audio SSI

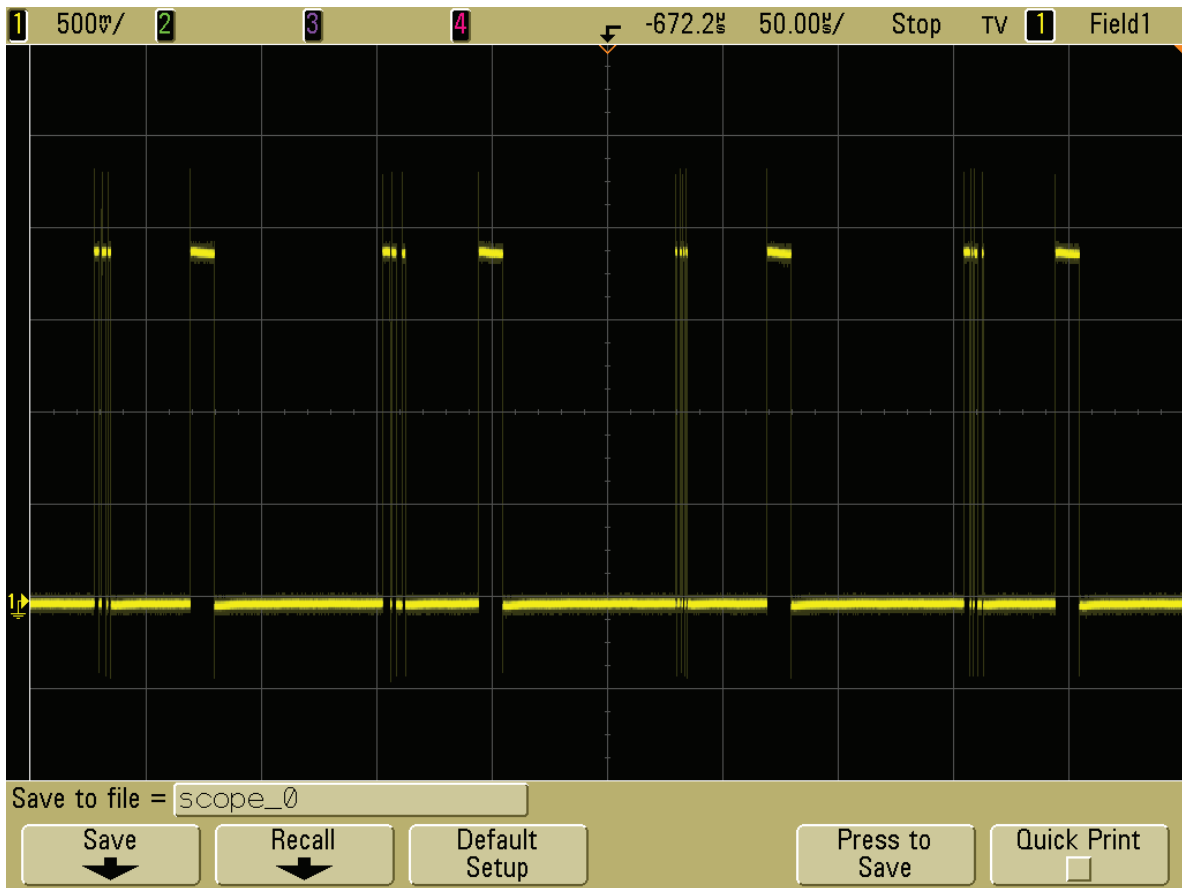
6.3.1 Red Tx



Trace 1: Trace recorded at R3016.

Figure 6-6. Audio SSI – Red Tx Waveform

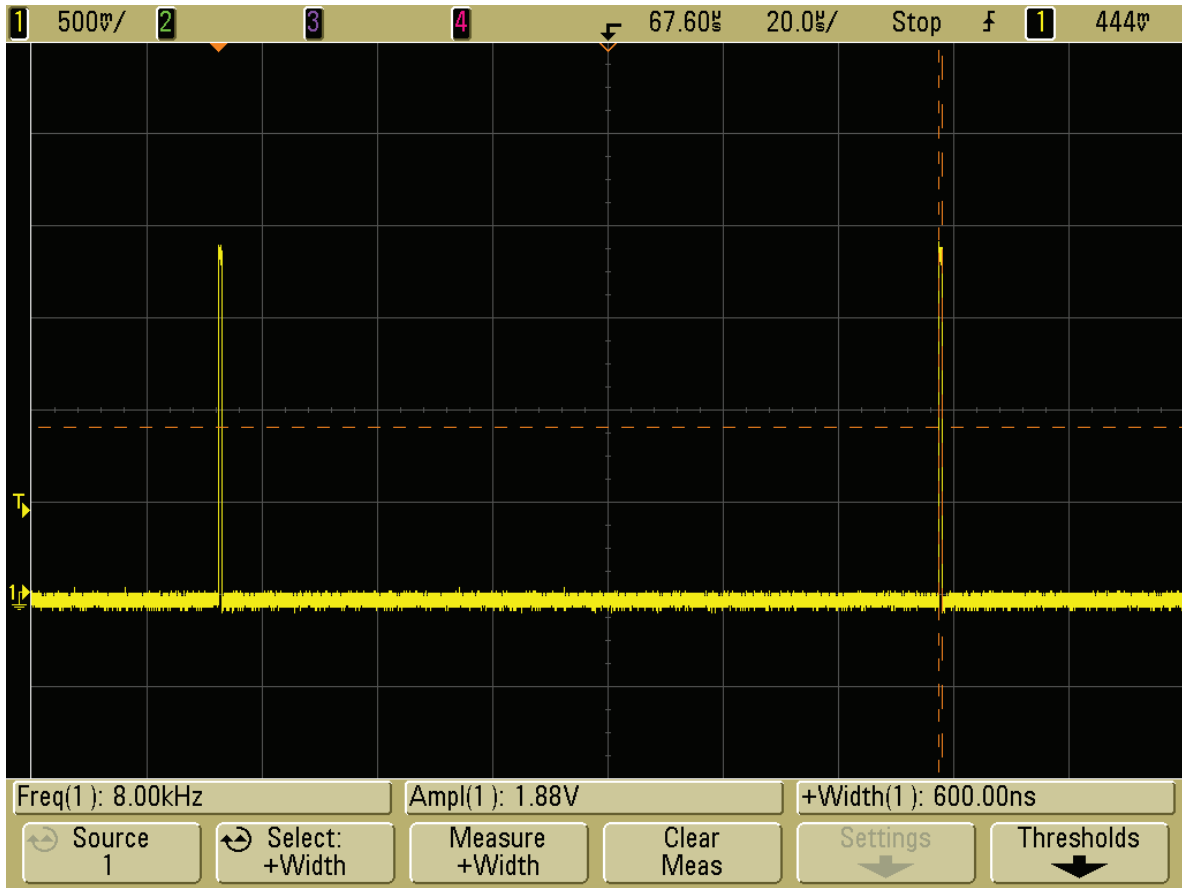
6.3.2 Red Rx



Trace 1: Trace recorded at R3015.

Figure 6-7. Audio SSI – Red Rx Waveform

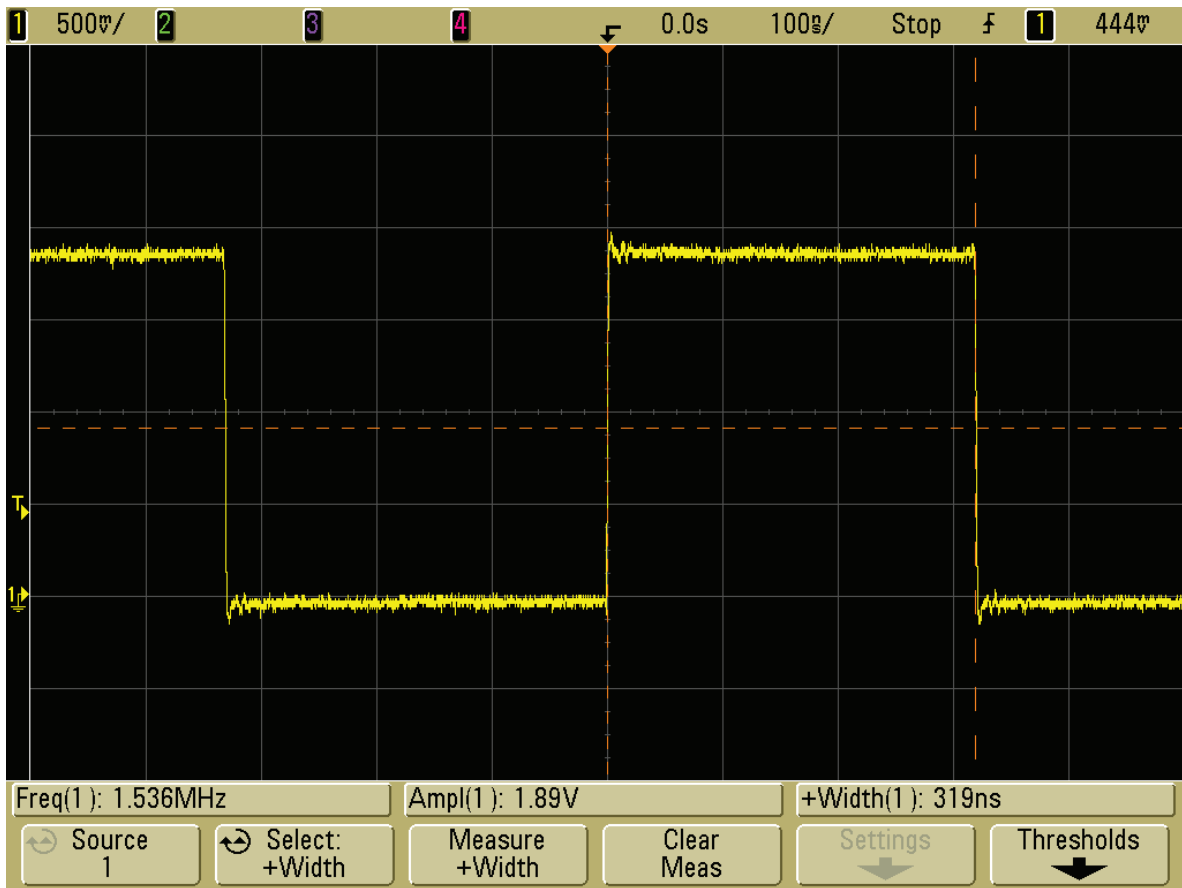
6.3.3 Sync.



Trace 1: Trace recorded at R3005.

Figure 6-8. Audio SSI – Sync. Waveform

6.3.4 BCLK

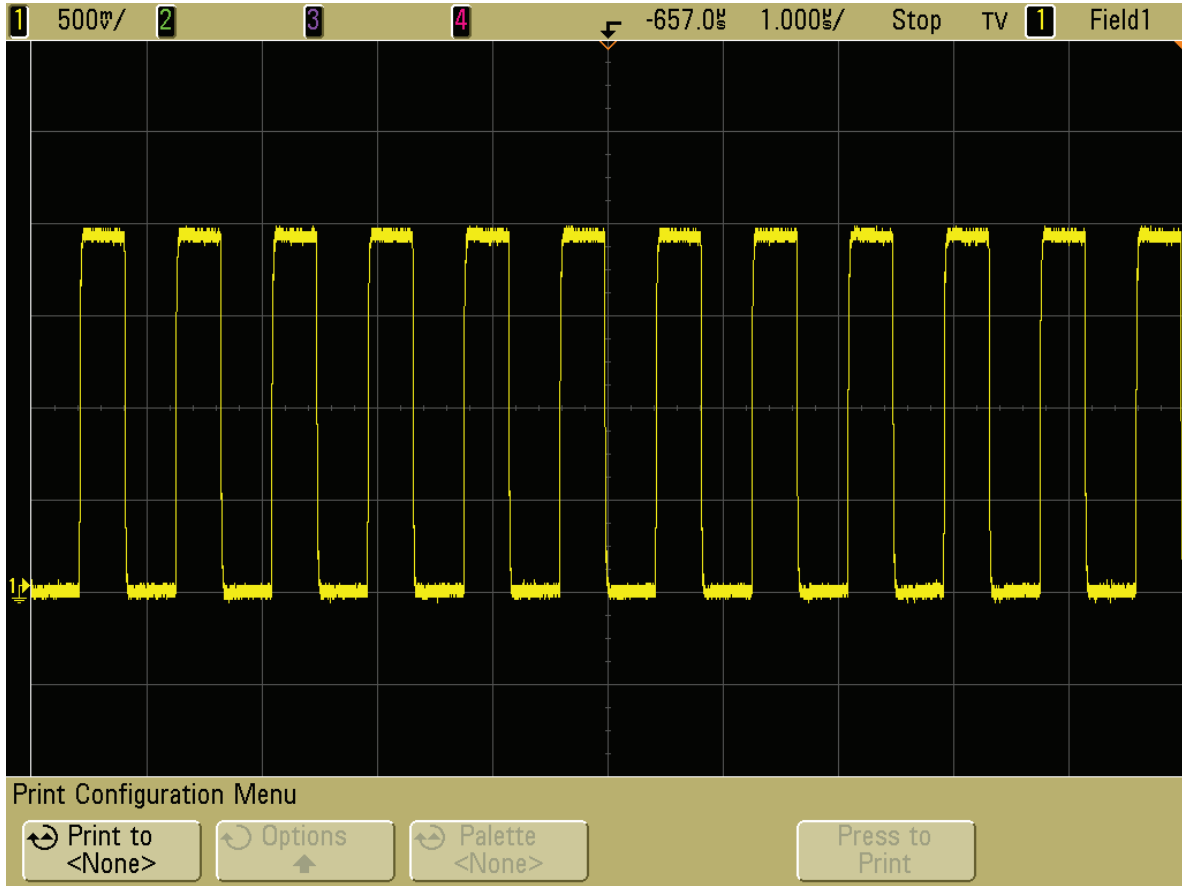


Trace 1: Trace recorded at R3006.

Figure 6-9. Audio SSI – BCLK. Waveform

6.4 RX SSI

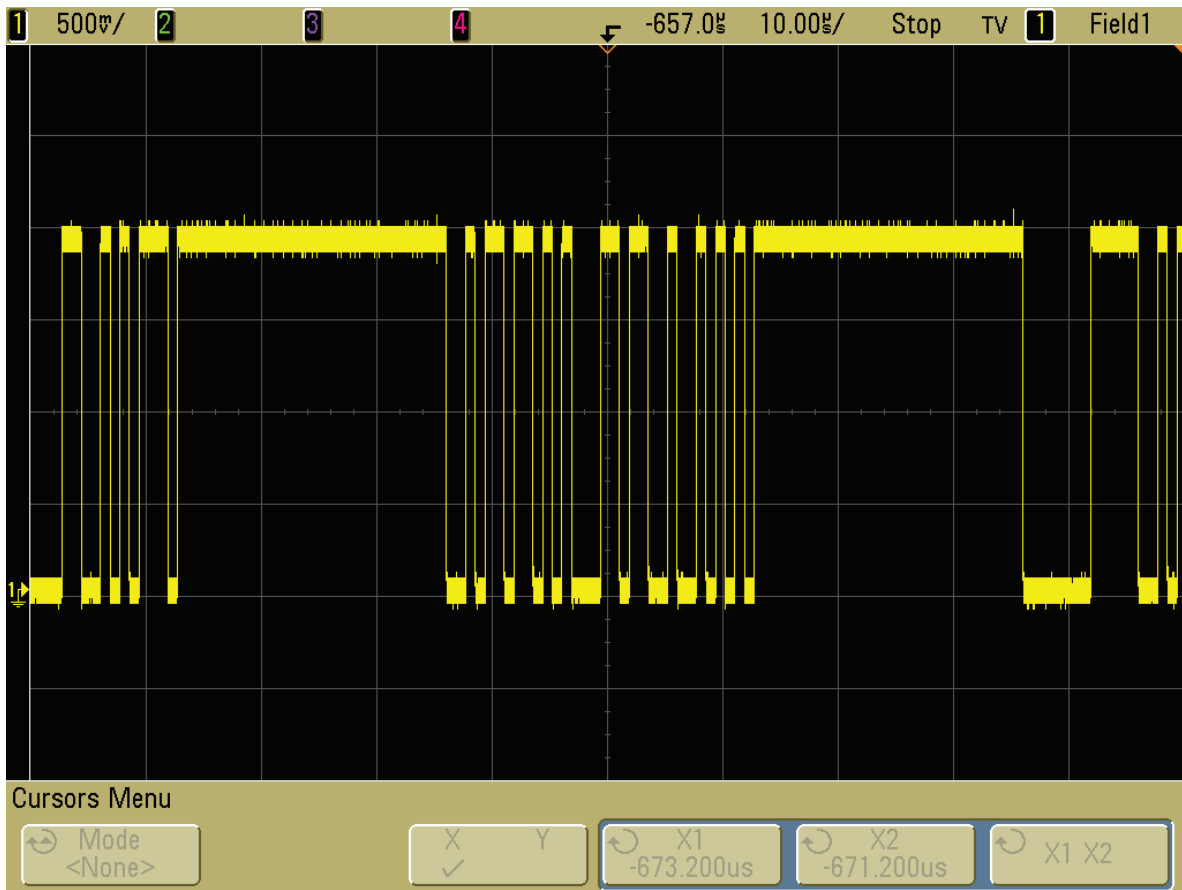
6.4.1 CLK.



Trace 1: Trace recorded at R1006.

Figure 6-10. RX SSI – CLK. Waveform

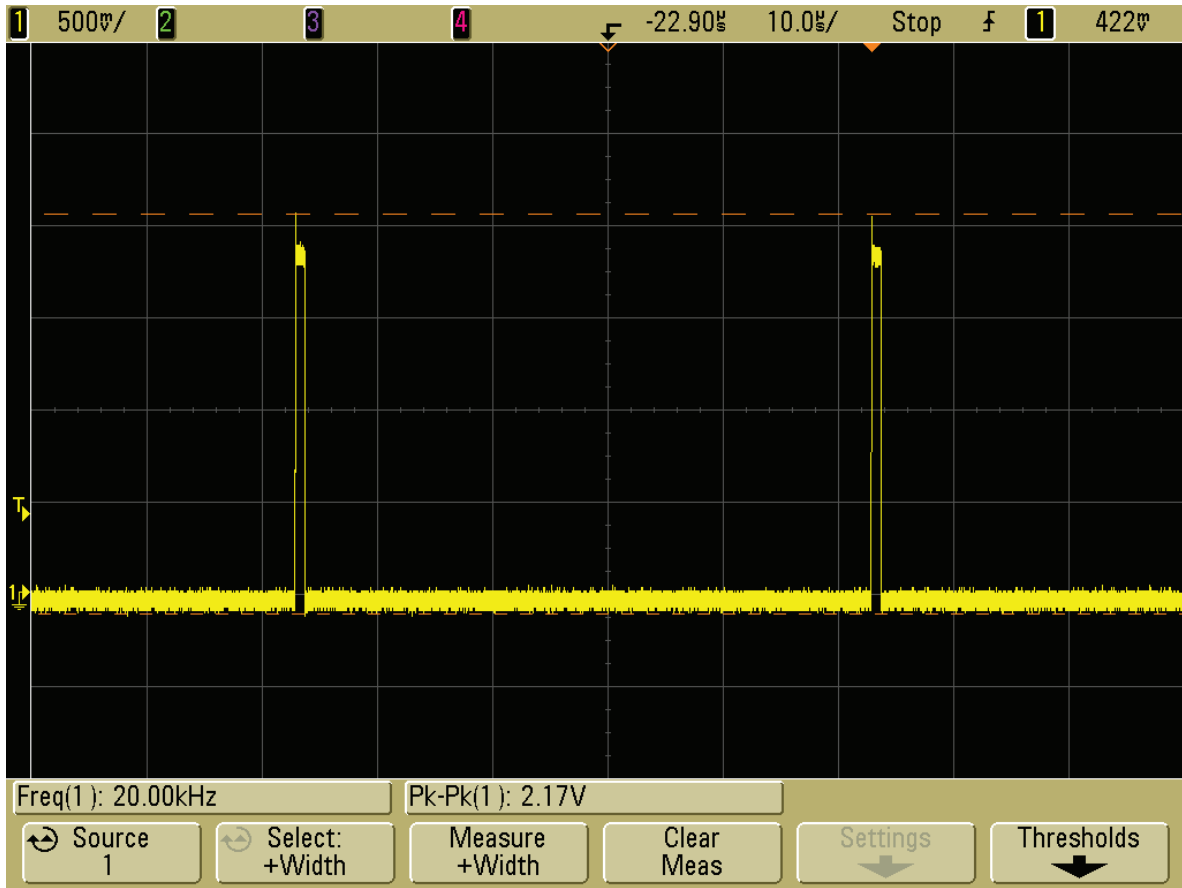
6.4.2 DA



Trace 1: Trace recorded at R1005.

Figure 6-11. RX SSI – DA Waveform

6.4.3 FSync.

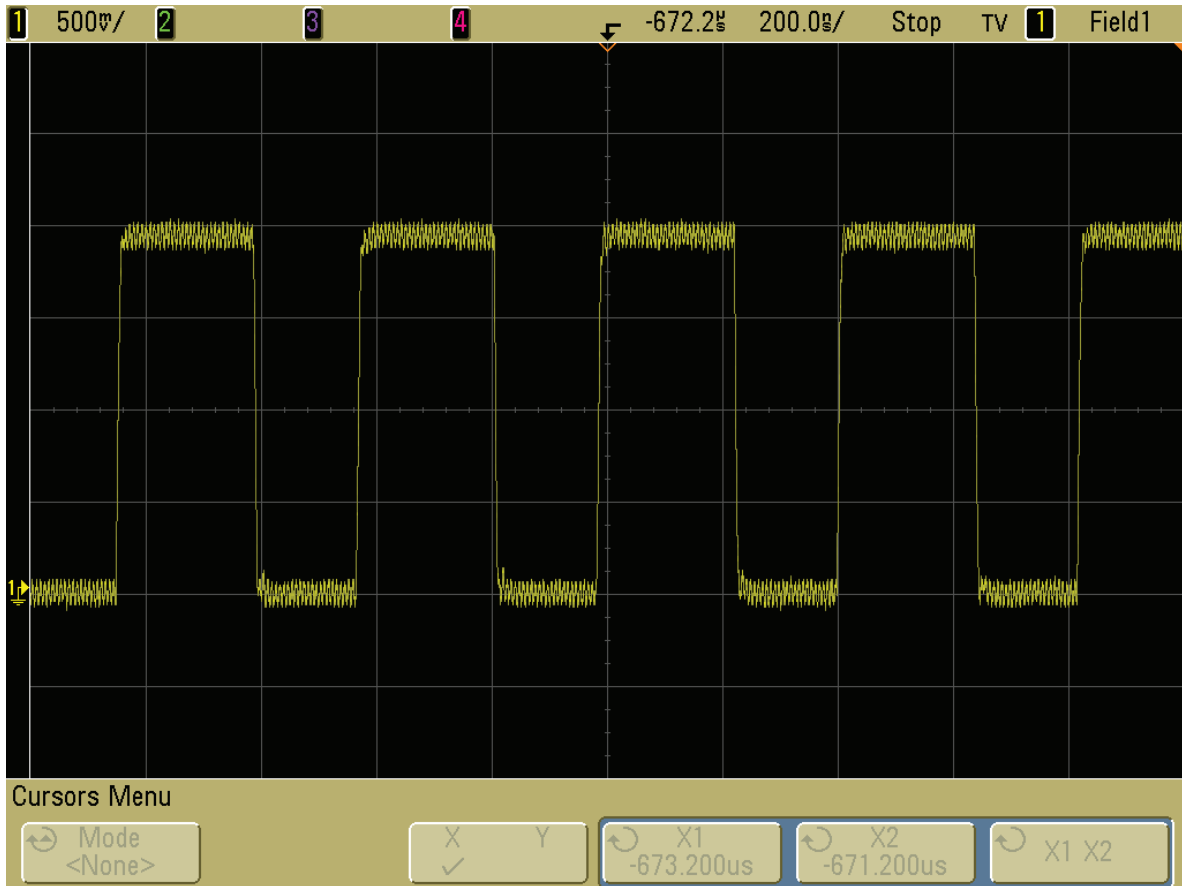


Trace 1: Trace recorded at R1004.

Figure 6-12. RX SSI – FSync. Waveform

6.5 TX SSI

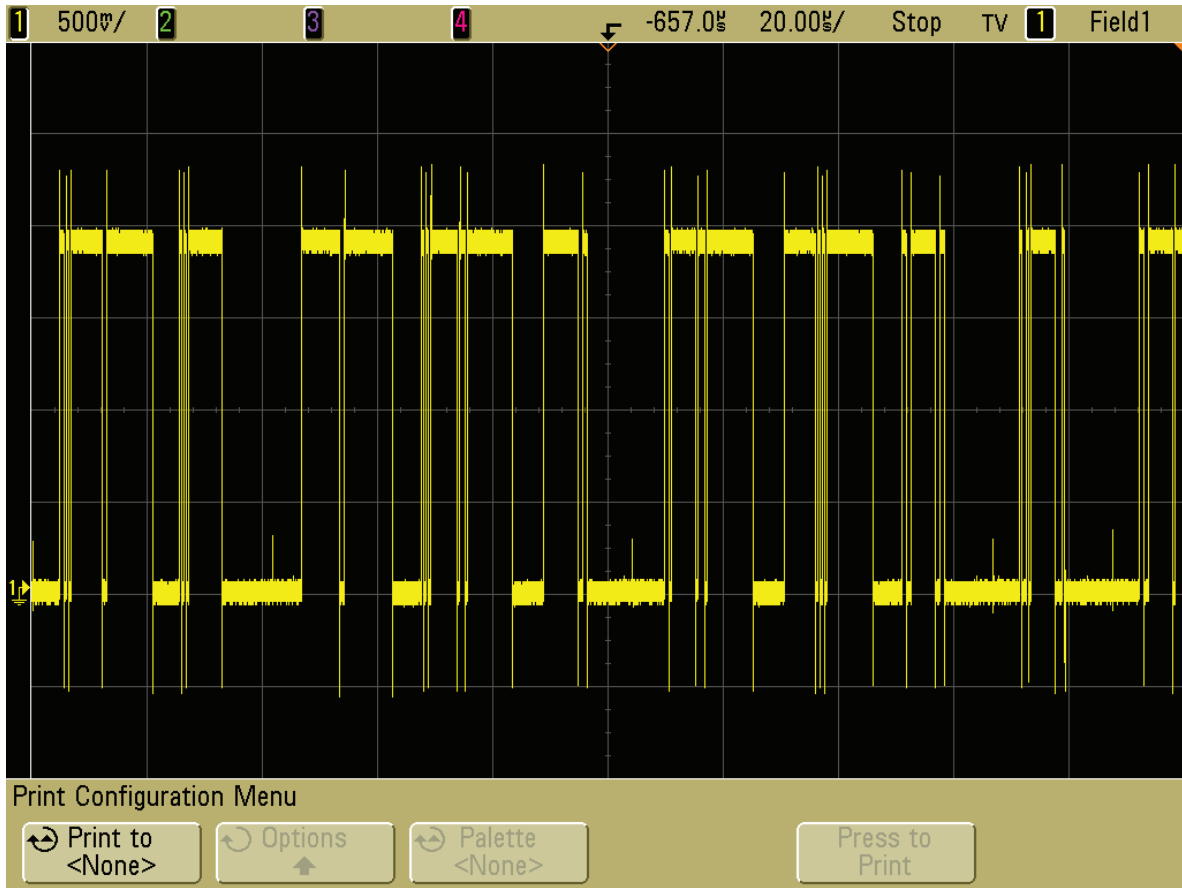
6.5.1 CLK.



Trace 1: Trace recorded at R1008.

Figure 6-13. TX SSI – TX CLK. Waveform

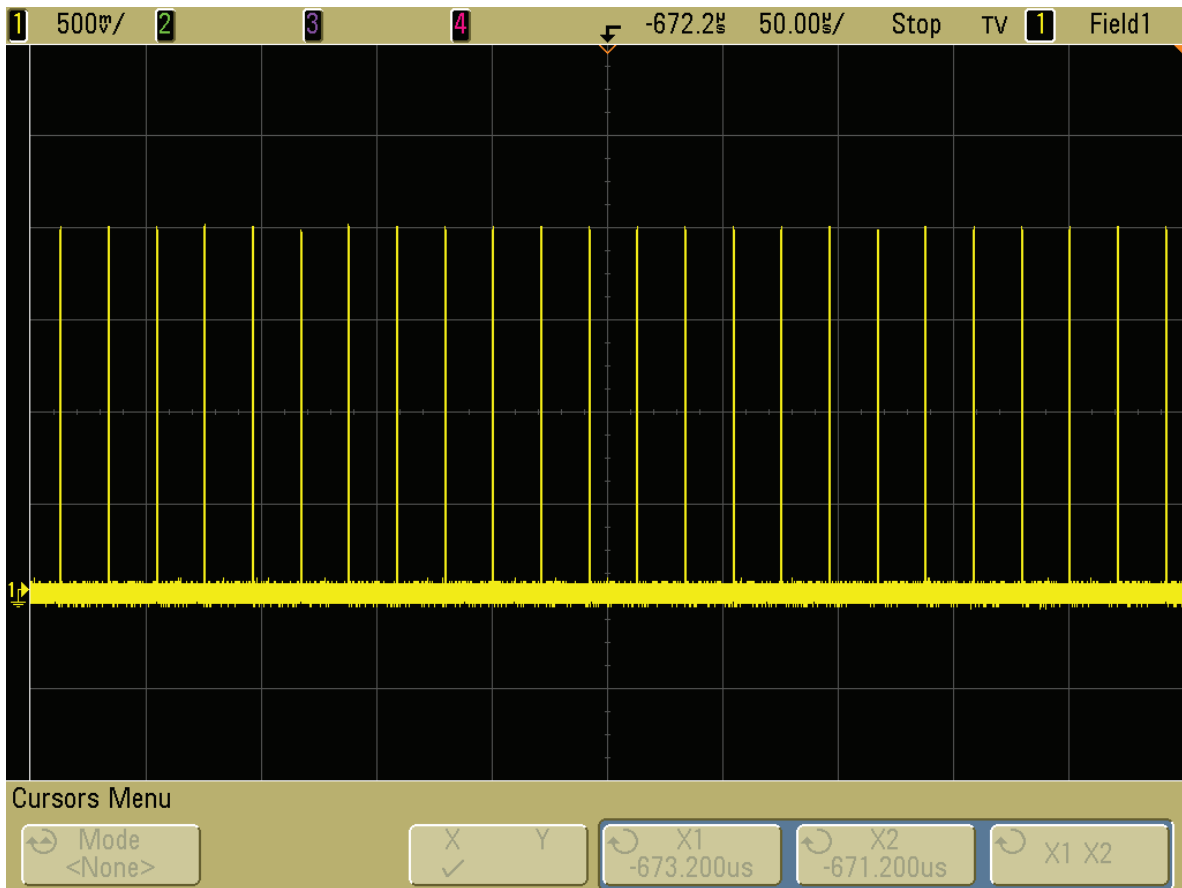
6.5.2 DA.



Trace 1: Trace recorded at R1017.

Figure 6-14. TX SSI – DA Waveform

6.5.3 FSync.

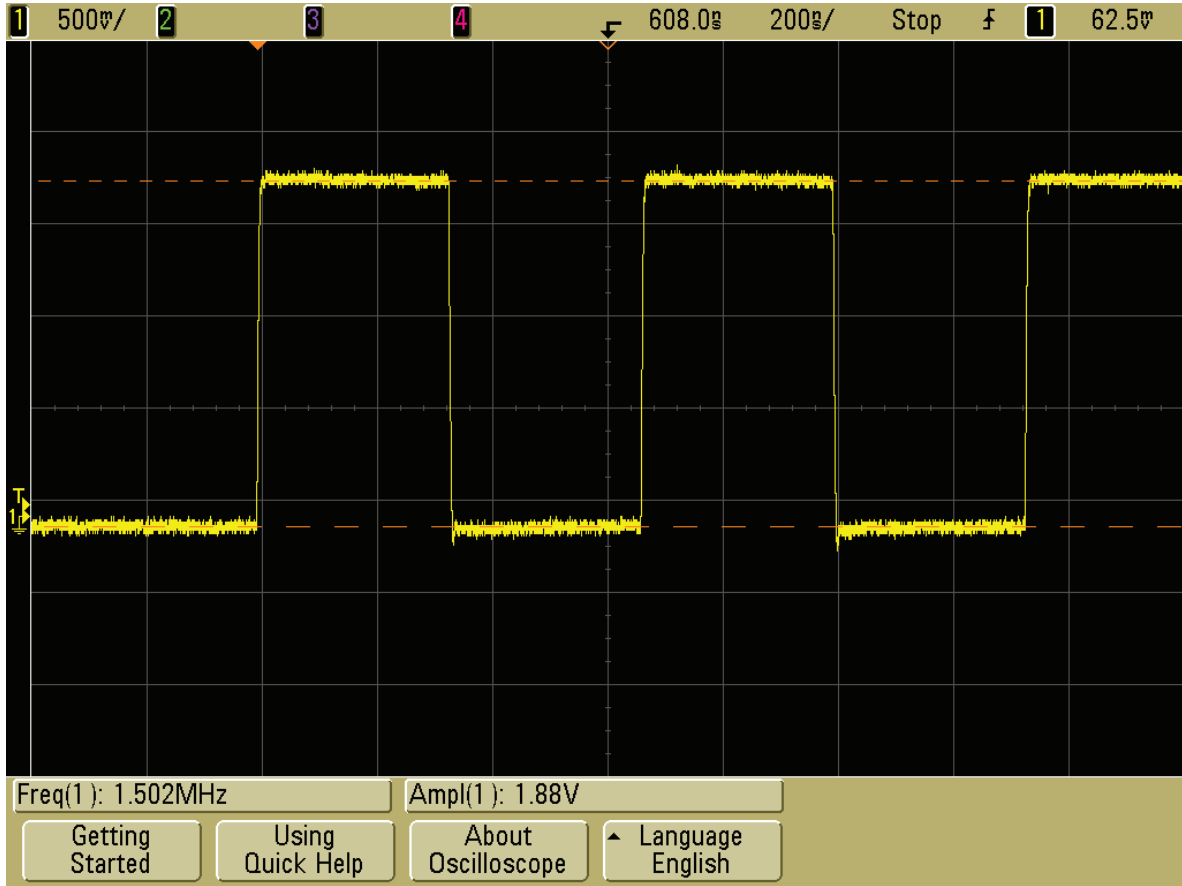


Trace 1: Trace recorded at R1007.

Figure 6-15. TX SSI – FSync. Waveform

6.6 SPI

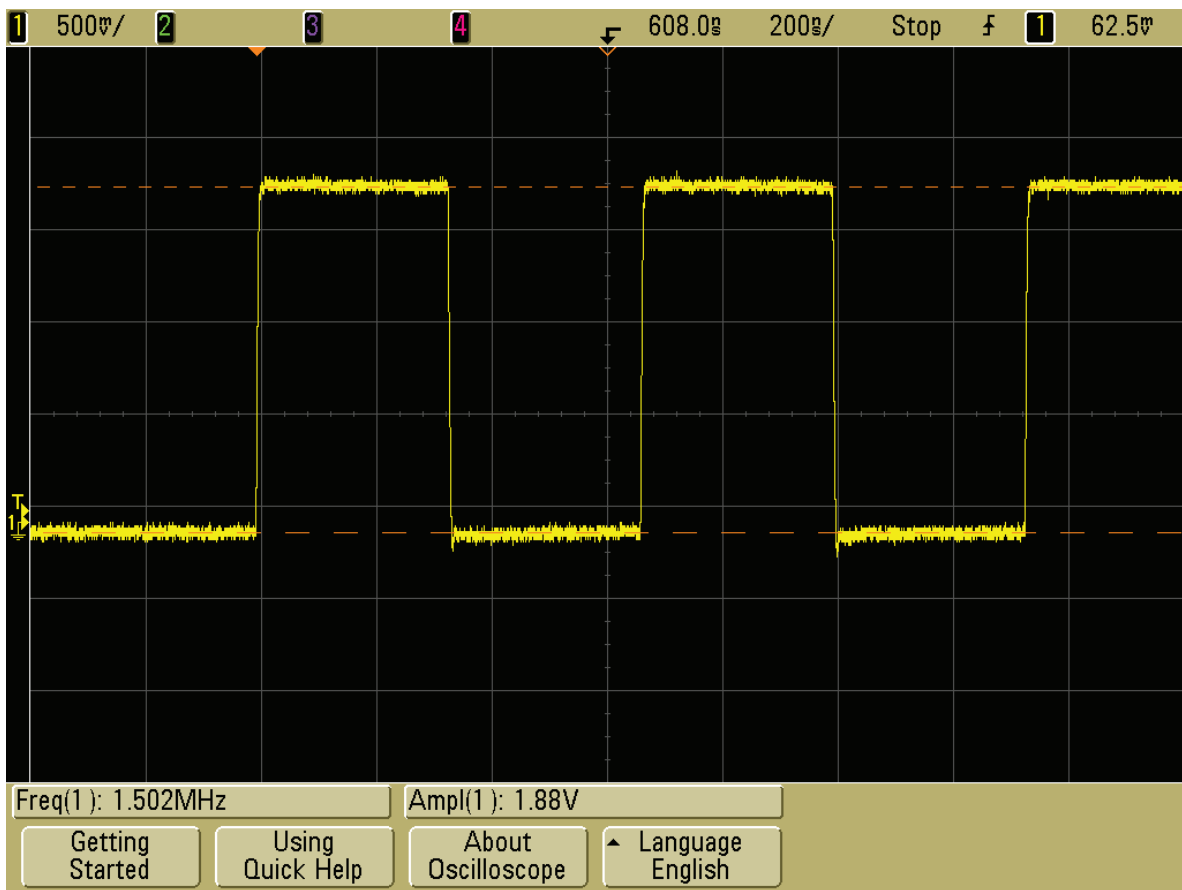
6.6.1 CLK



Trace 1: Trace recorded at R6605.

Figure 6-16. SPI – CLK Waveform

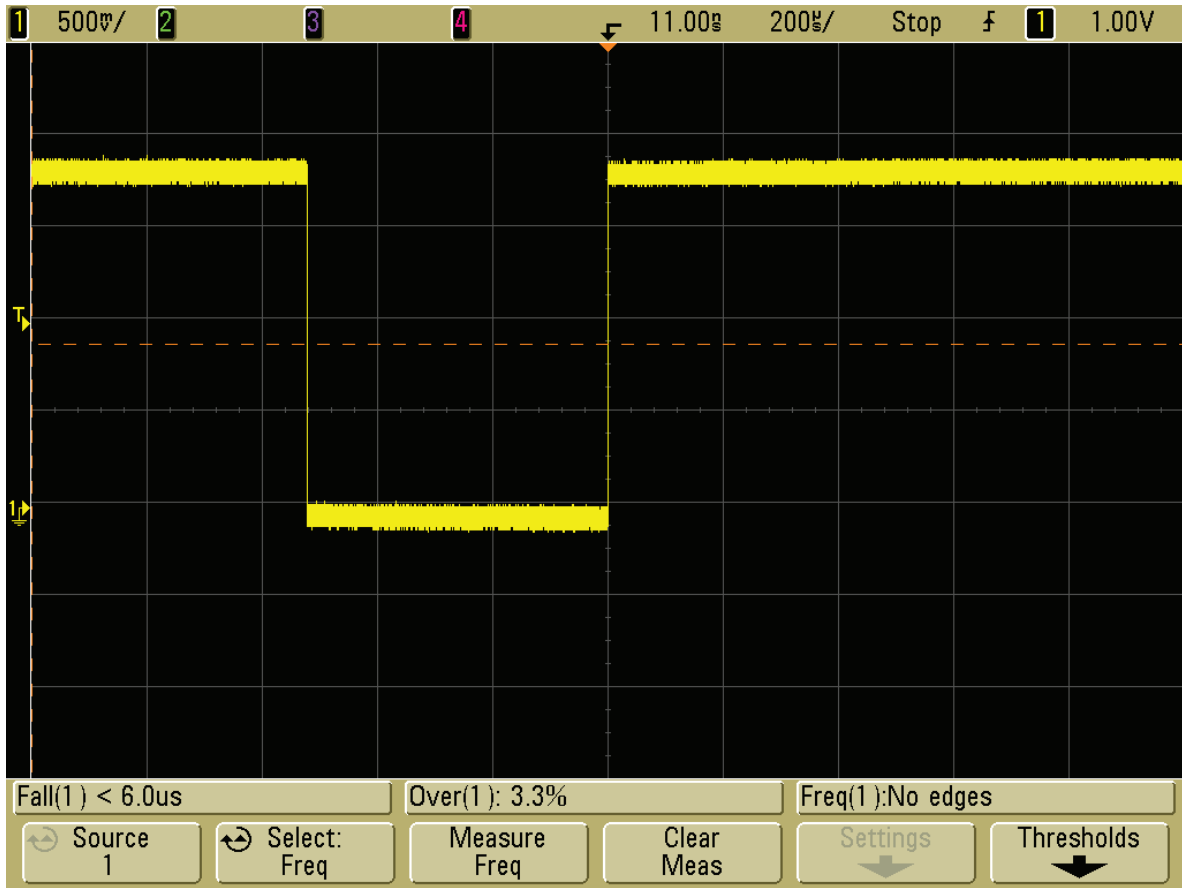
6.6.2 CLK INV



Trace 1: Trace recorded at R2325.

Figure 6-17. SPI – CLK INV Waveform

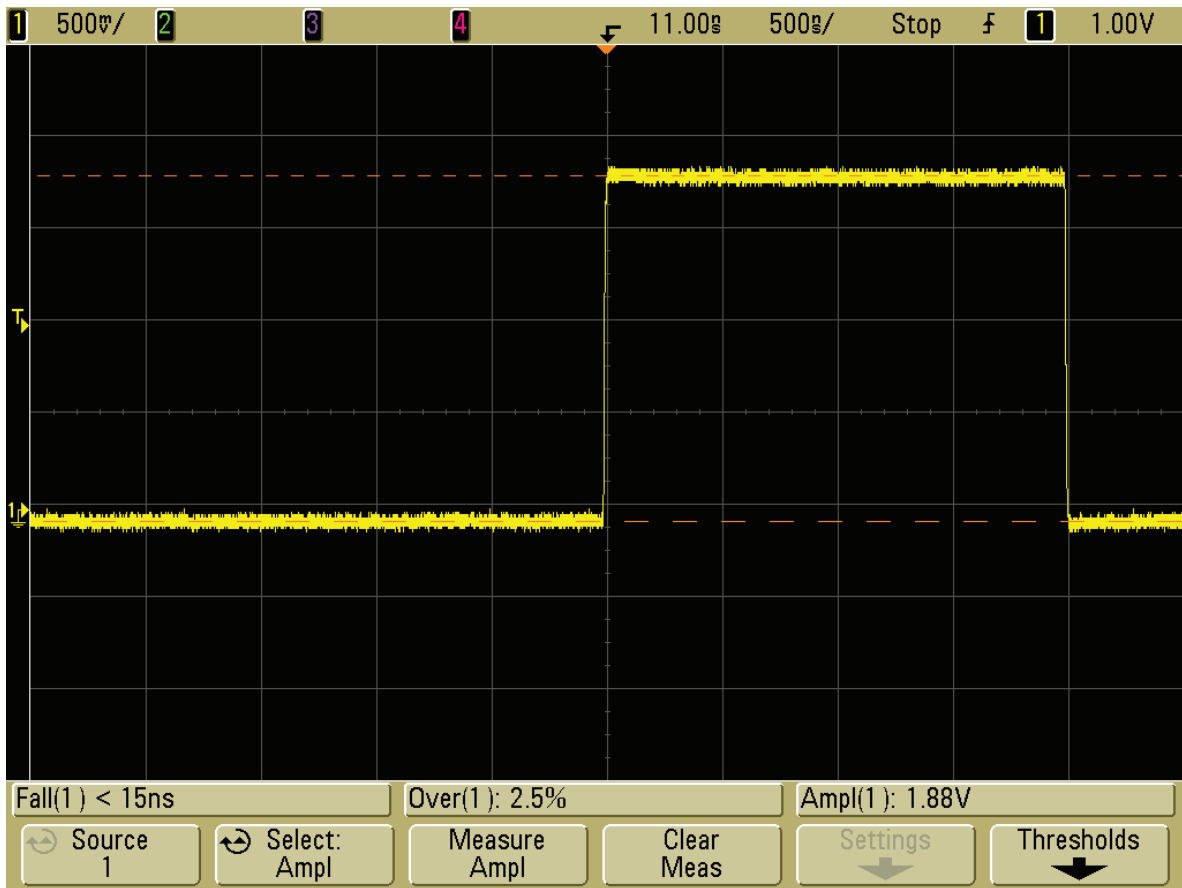
6.6.3 CS



Trace 1: Trace recorded at Pin 34 of J2301.

Figure 6-18. SPI – CS Waveform

6.6.4 MOSI

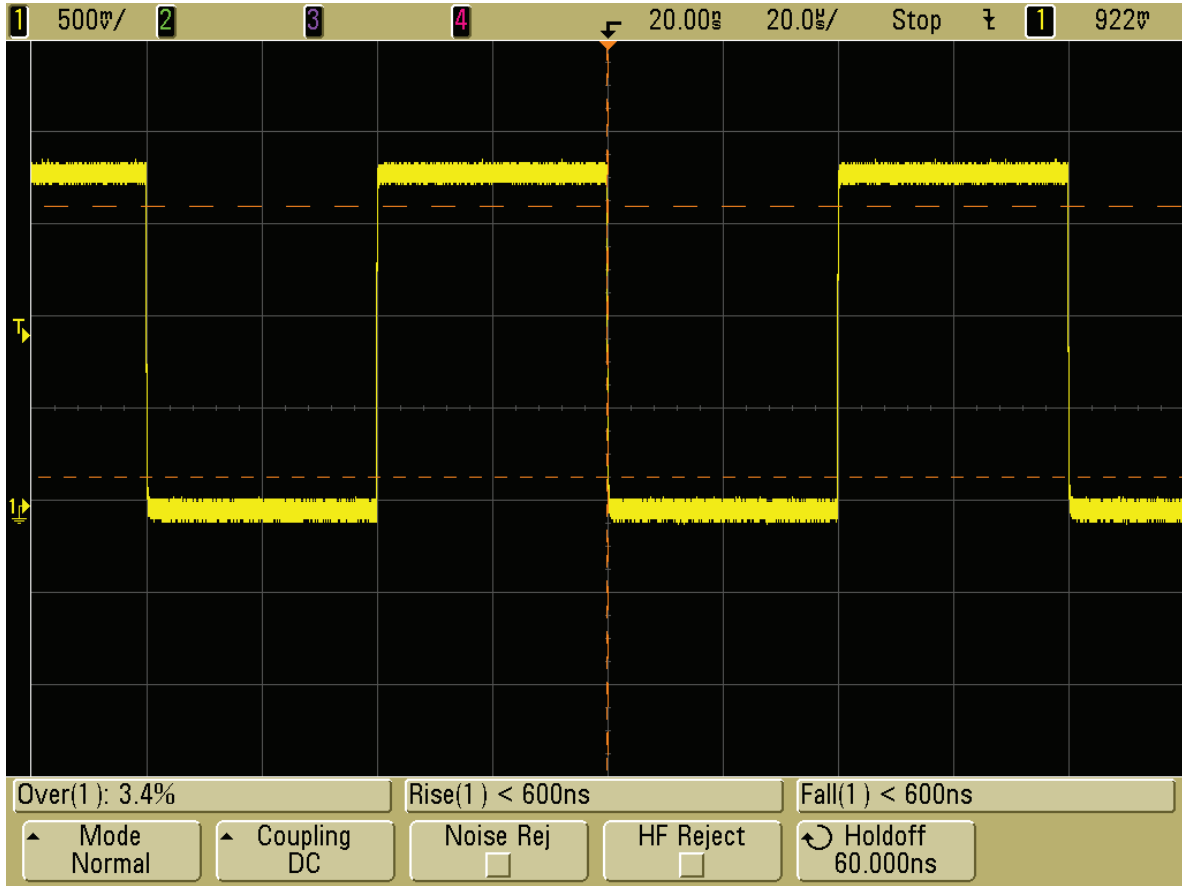


Trace 1: Trace recorded at R6603.

Figure 6-19. SPI – MOSI Waveform

6.7 I2C BUS

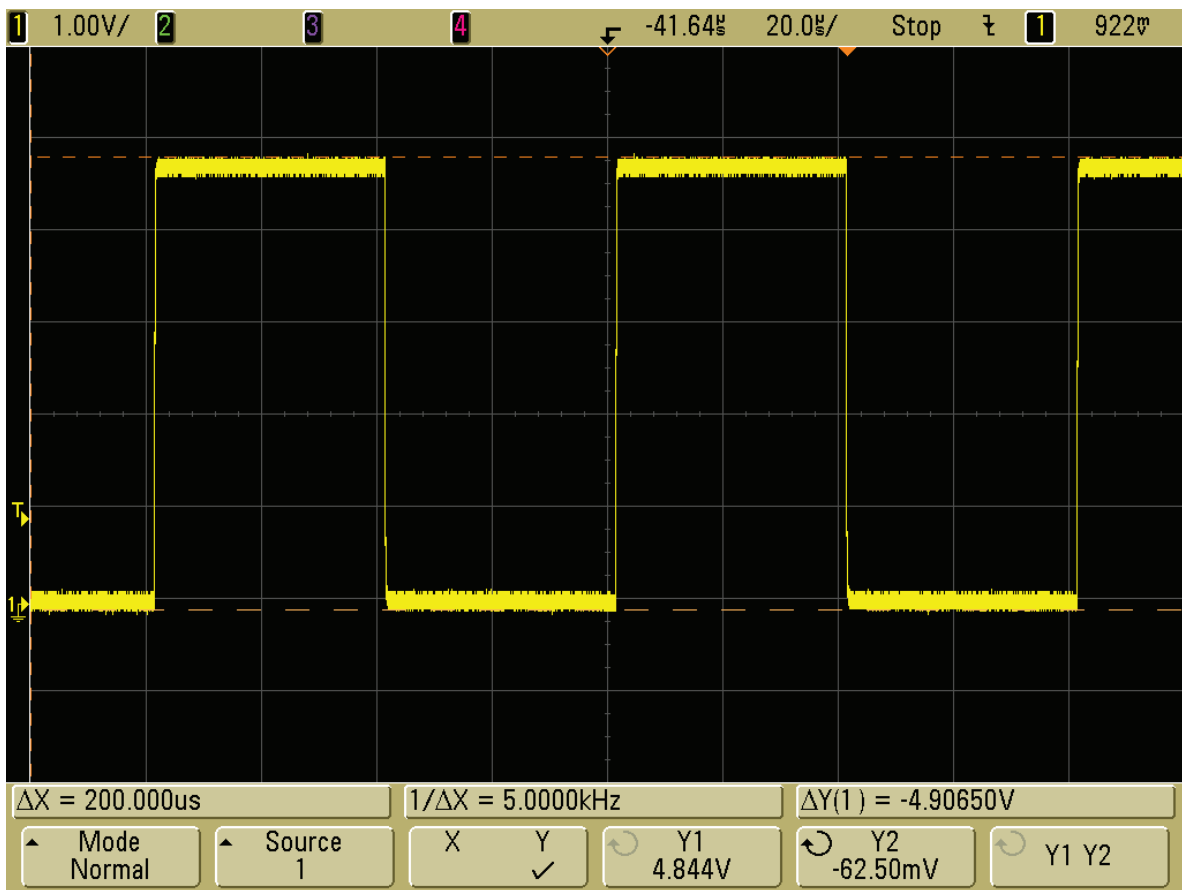
6.7.1 SCL



Trace 1: Trace recorded at R6208.

Figure 6-20. I2C Bus – SCA Waveform

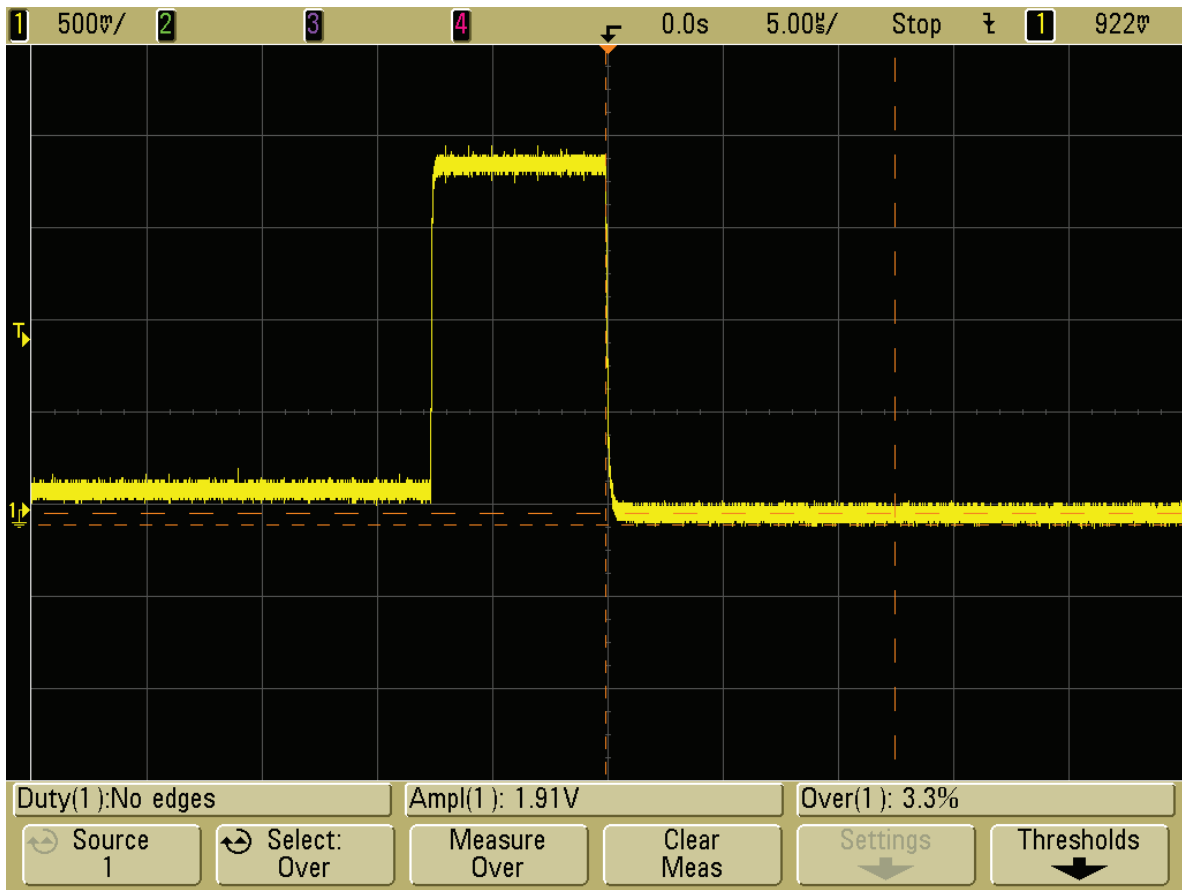
6.7.2 SCL 5V



Trace 1: Trace recorded at R6204.

Figure 6-21. I2C Bus – SCA 5V Waveform

6.7.3 SDA

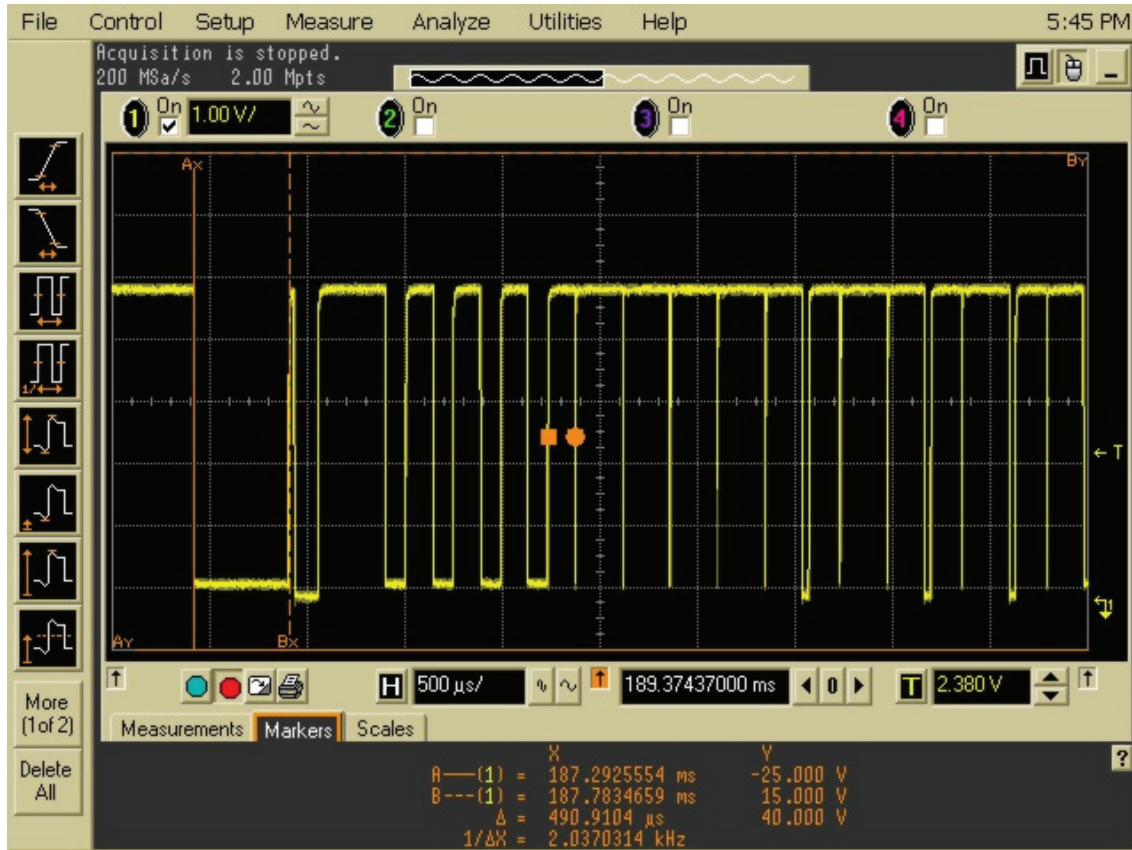


Trace 1: Trace recorded at R6209.

Figure 6-22. I2C Bus – SDA Waveform

6.8 One Wire

6.8.1 1-Wire

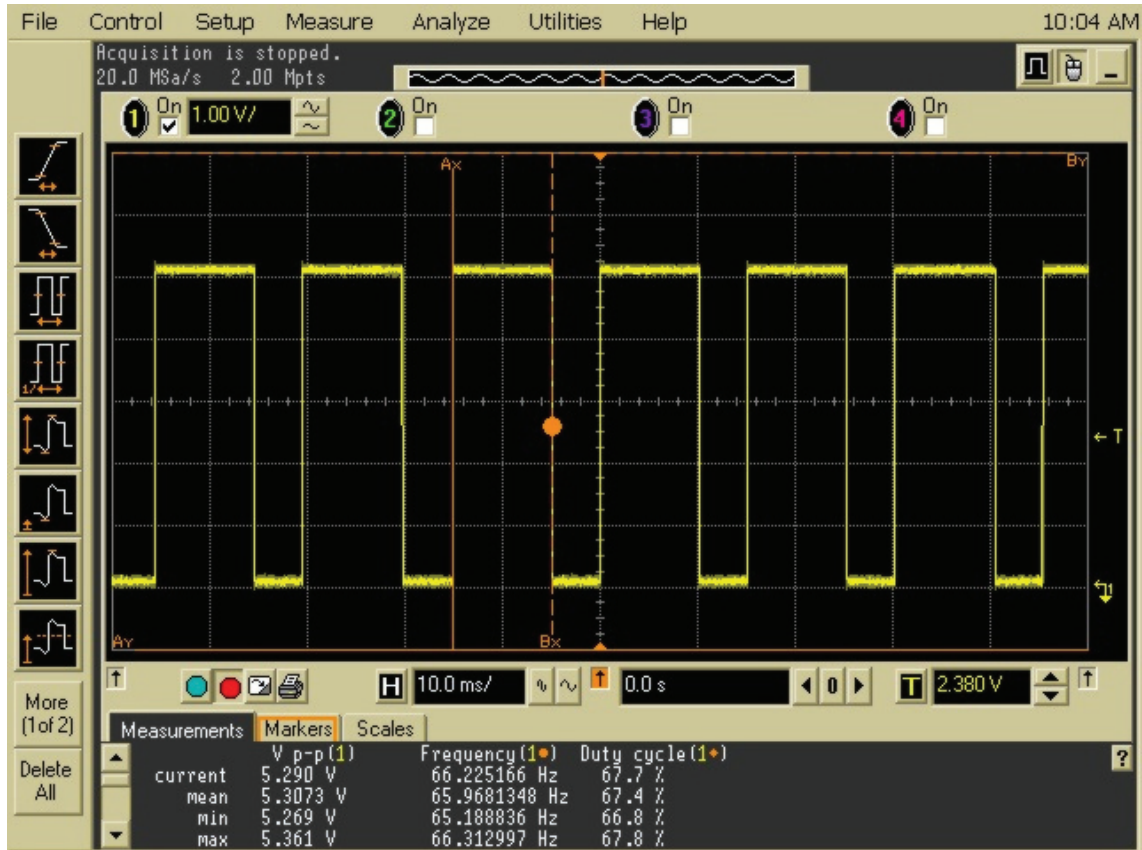


Trace 1: Trace recorded at R6609.

Figure 6-23. 1-Wire Waveform

6.9 GCAI

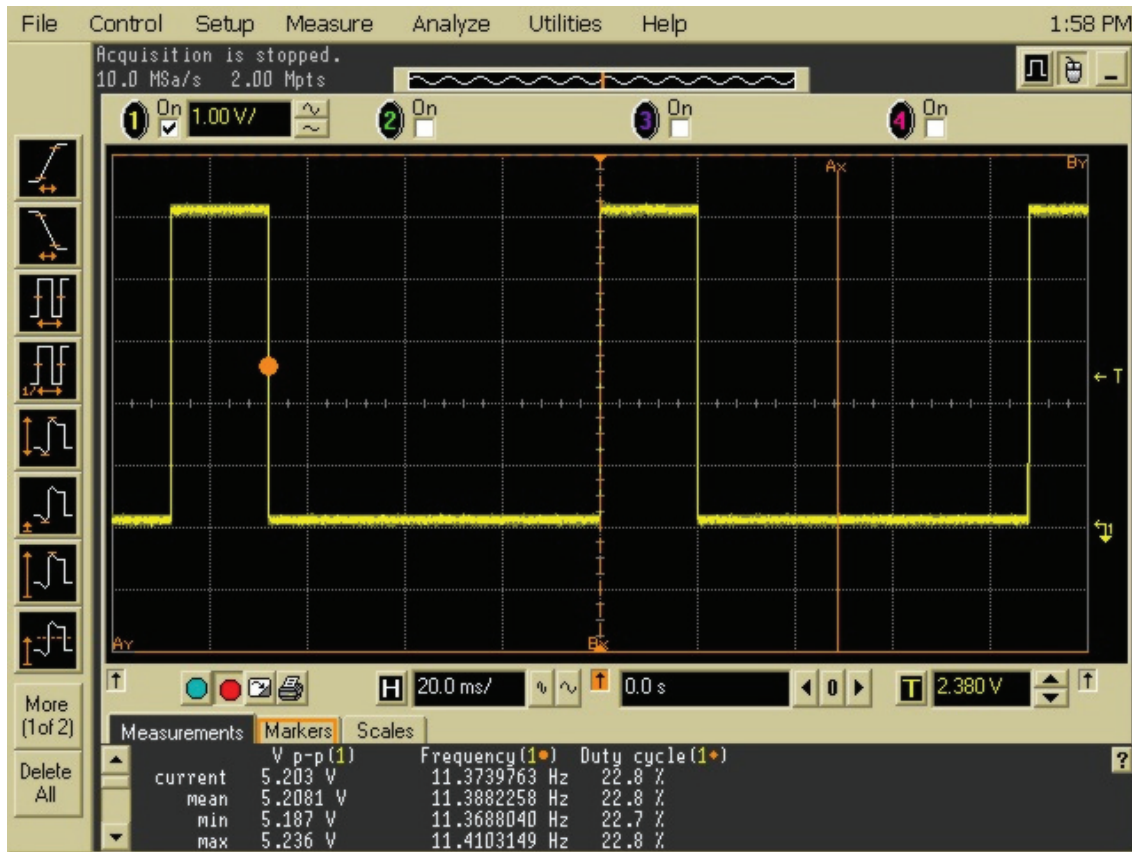
6.9.1 GPIO1



Trace 1: Trace recorded at Pin 41 of J3001.

Figure 6-24. GCAI – GPIO1 Waveform

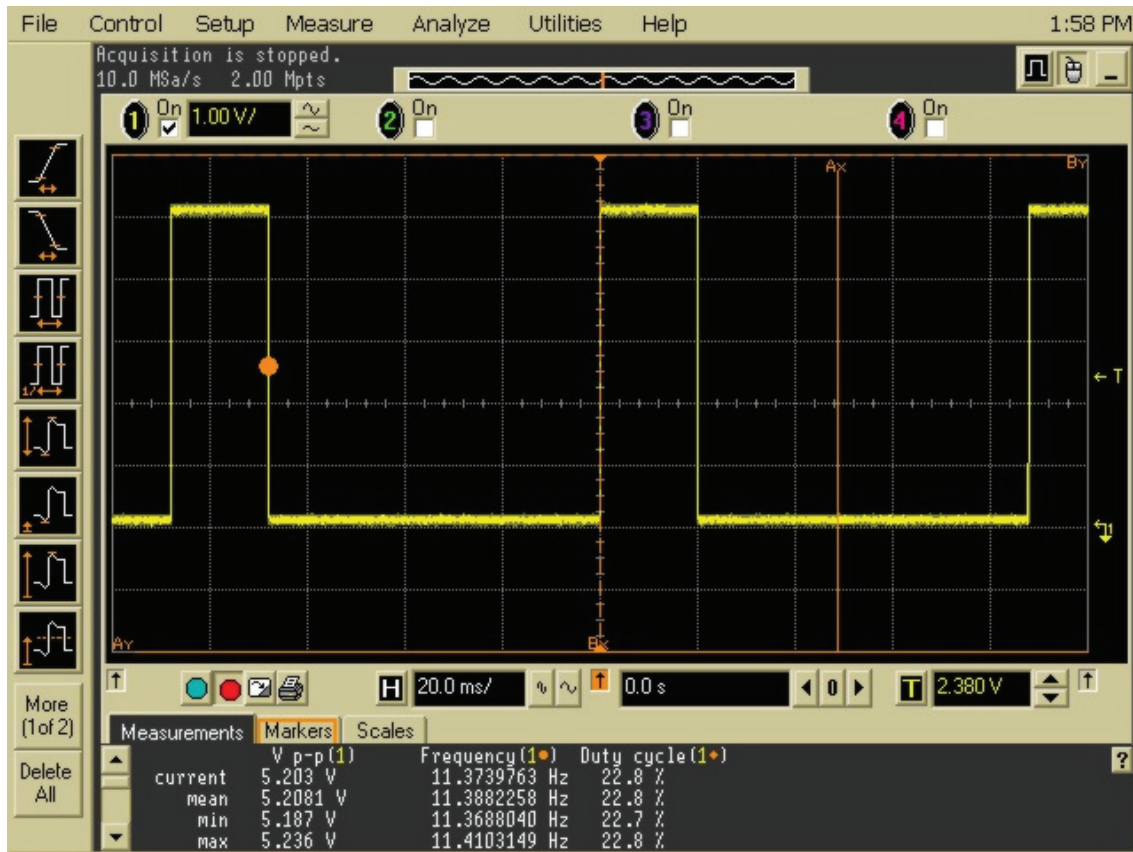
6.9.2 GPIO3



Trace 1: Trace recorded at Pin 22 of J3001.

Figure 6-25. GCAI – GPIO3 Waveform

6.9.3 GPIO4

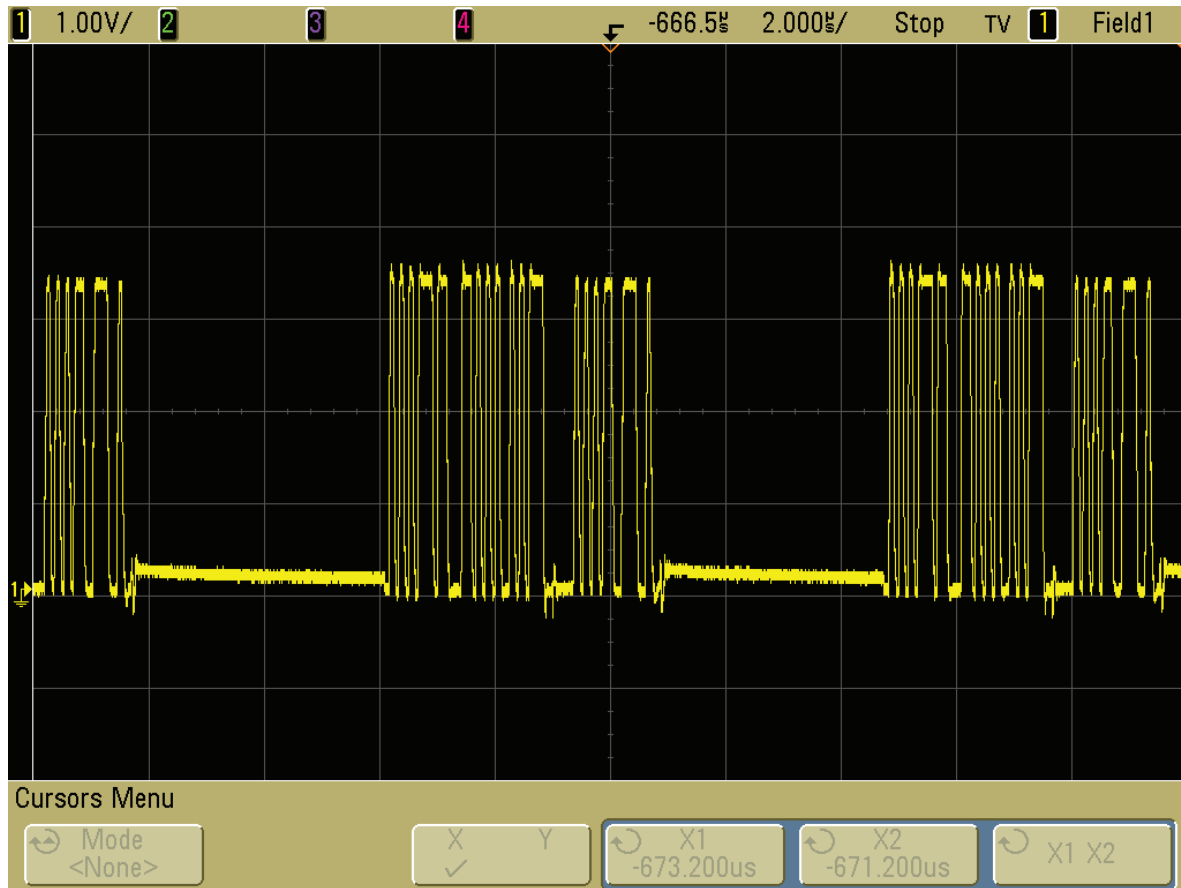


Trace 1: Trace recorded at Pin 60 of J3001.

Figure 6-26. GCAI – GPIO4 Waveform

6.10 USB

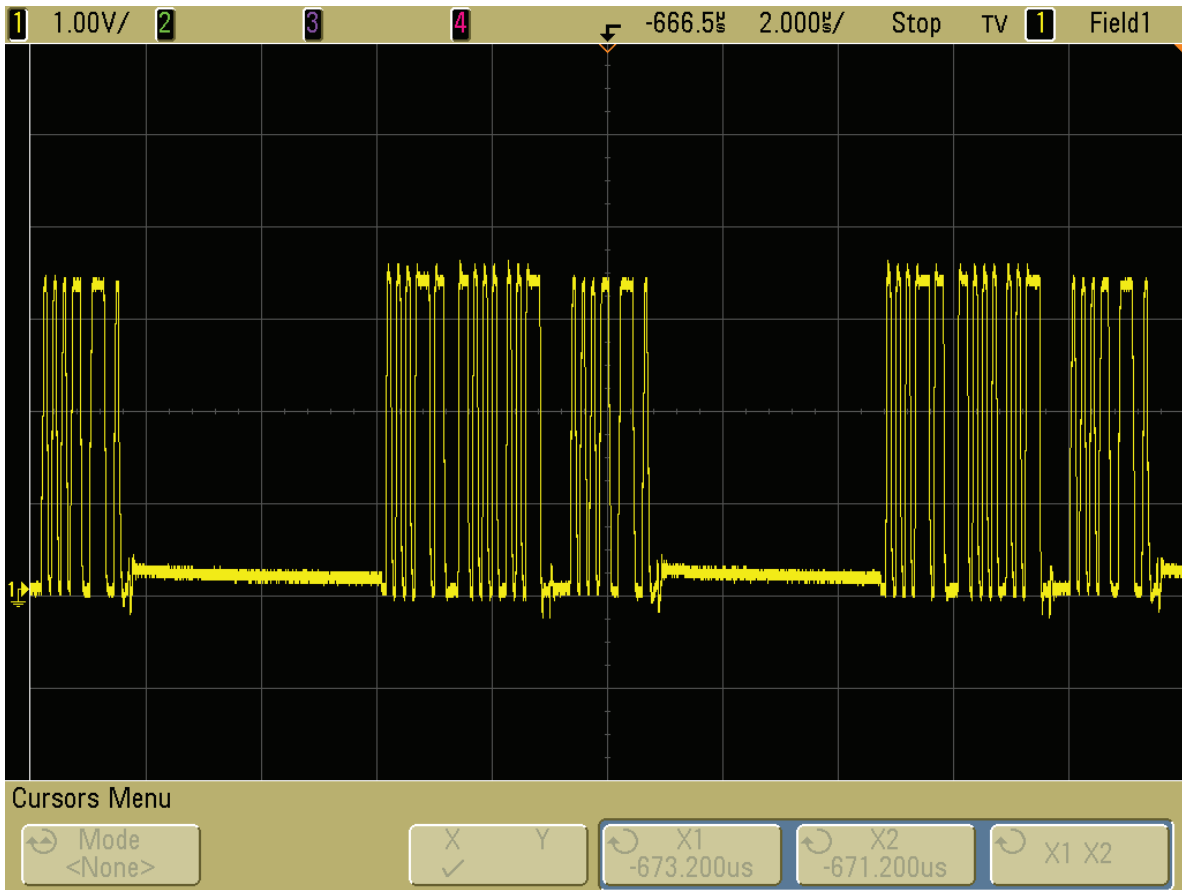
6.10.1 D-



Trace 1: Trace recorded at Pin 33 of J3001.

Figure 6-27. USB – D- Waveform

6.10.2 D+

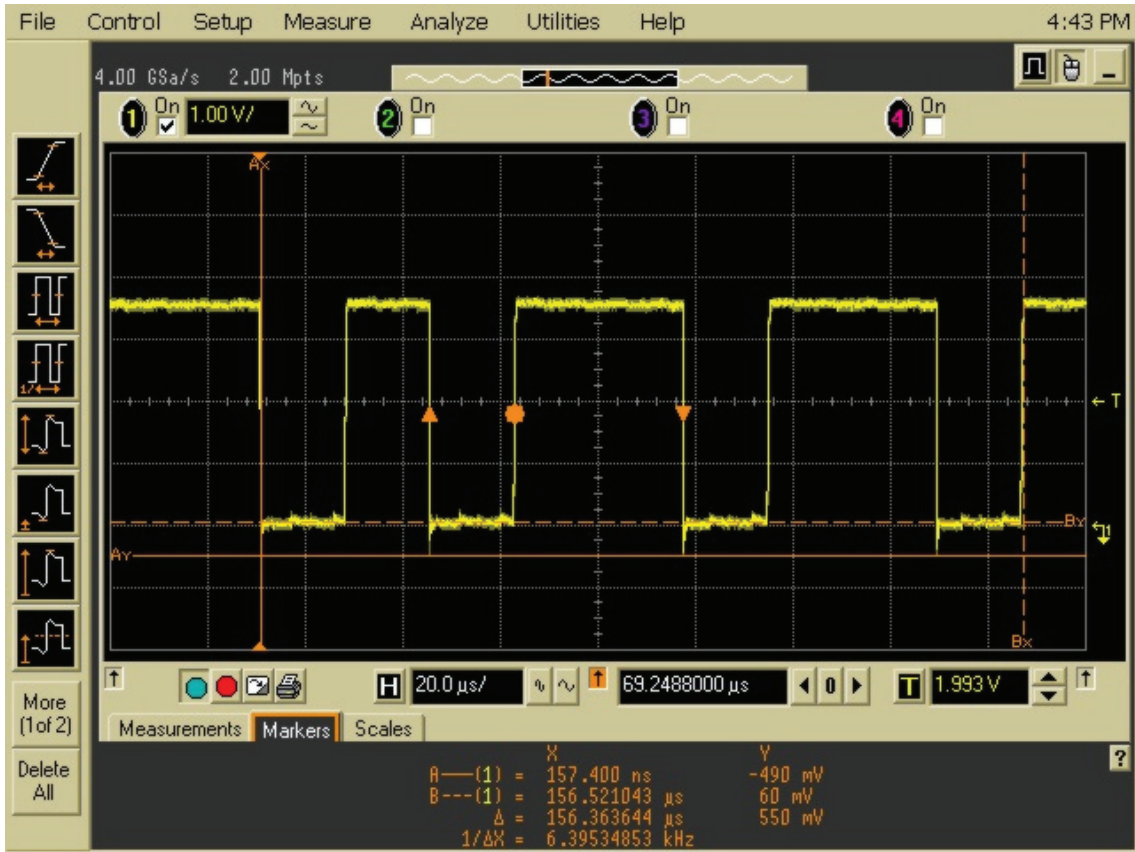


Trace 1: Trace recorded at Pin 35 of J3001.

Figure 6-28. USB – D+ Waveform

6.11 UART

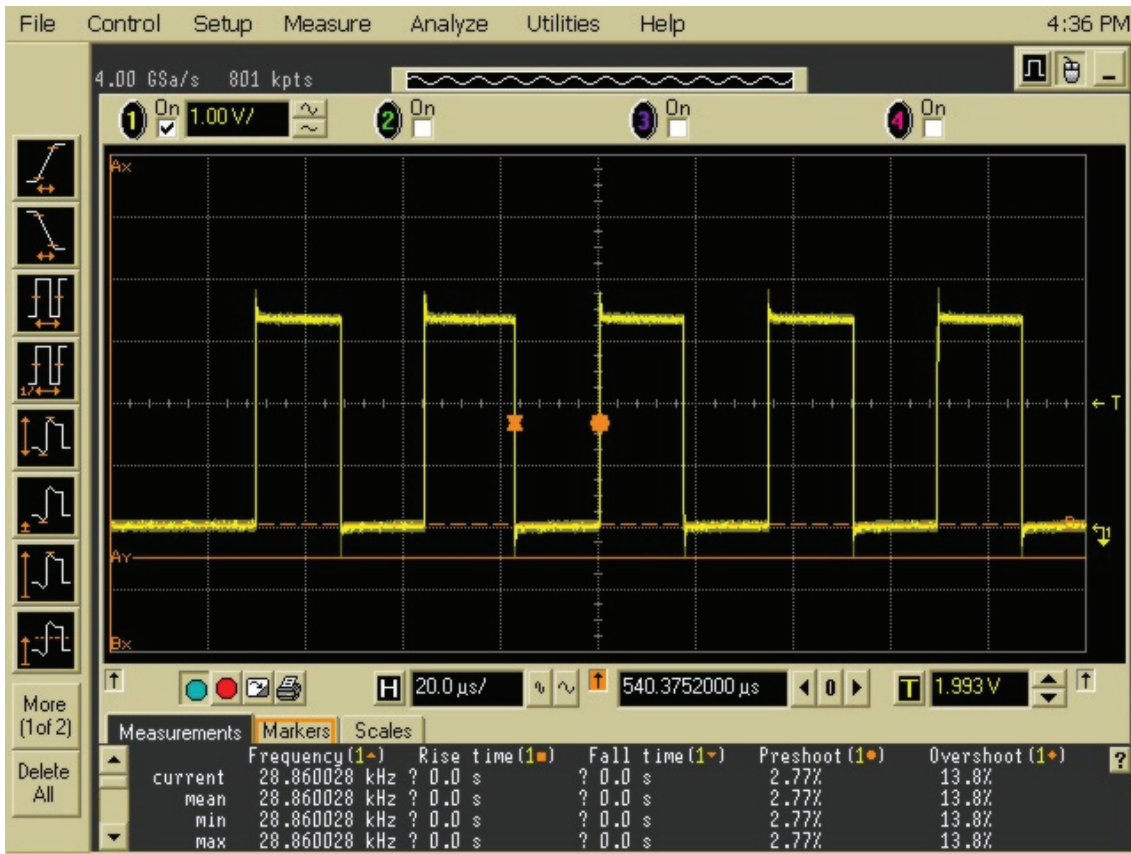
6.11.1 RX



Trace 1: Trace recorded at F_Boot_Rx.

Figure 6-29. UART – RX Waveform

6.11.2 TX

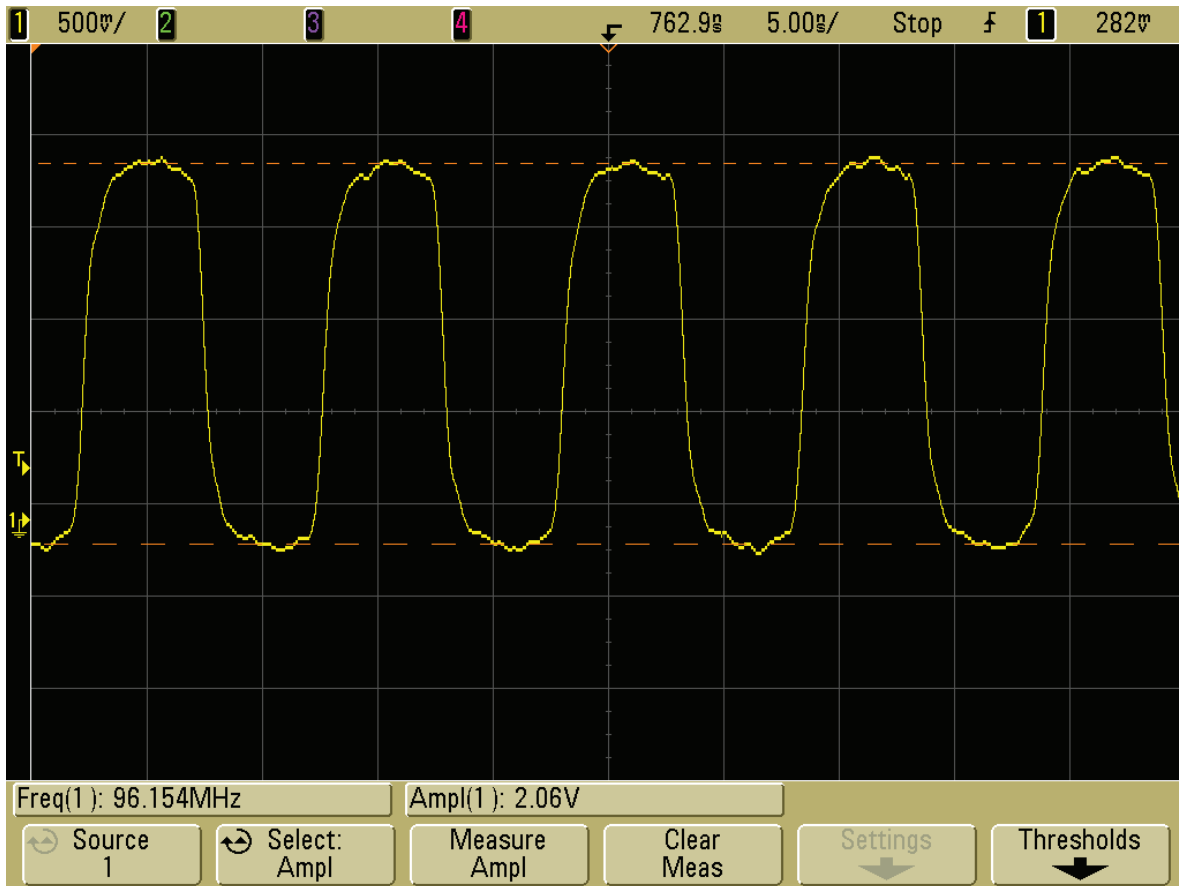


Trace 1: Trace recorded at F_Boot_Tx.

Figure 6-30. UART – TX Waveform

6.12 SDRAM

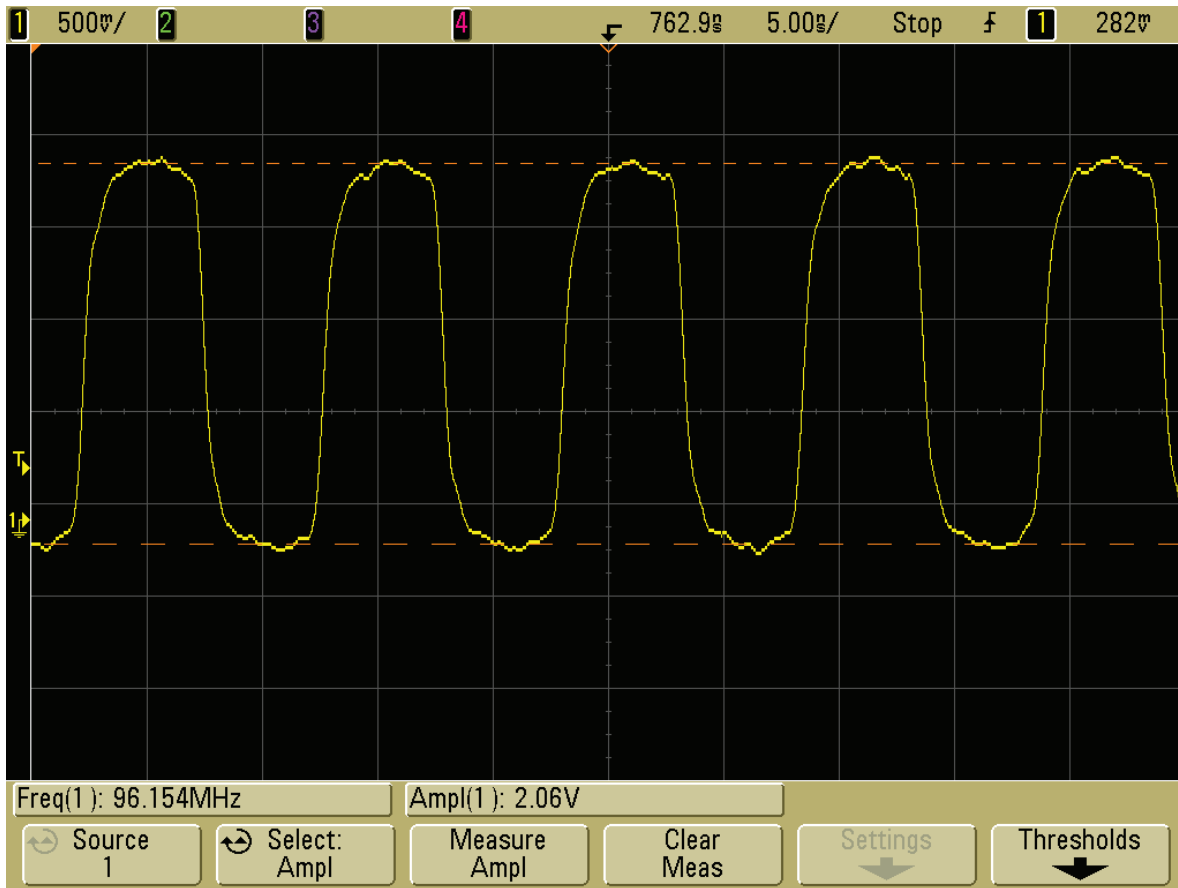
6.12.1 CLK



Trace 1: Trace recorded at TP6307.

Figure 6-31. SDRAM – CLK Waveform

6.12.2 CLKX

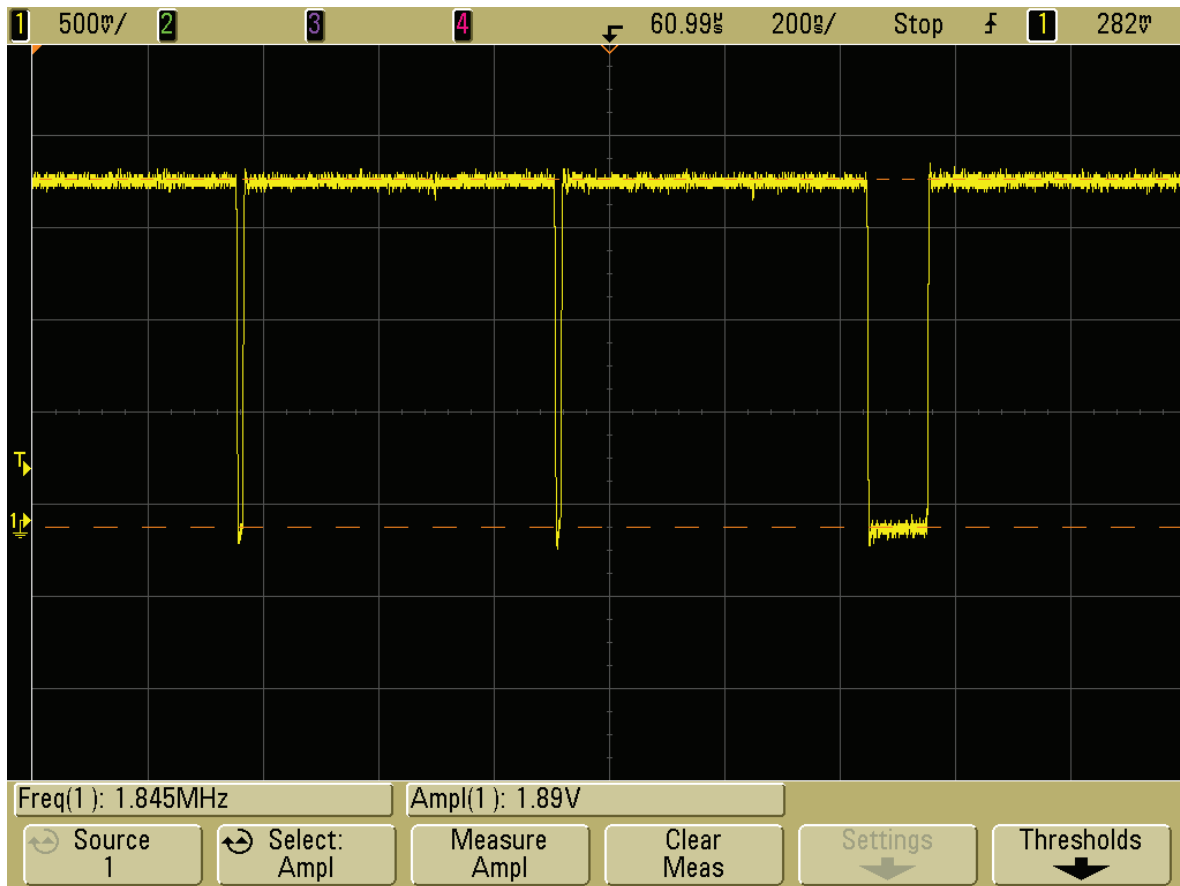


Trace 1: Trace recorded at TP6308.

Figure 6-32. SDRAM – CLKX Waveform

6.13 FLASH CONTROL

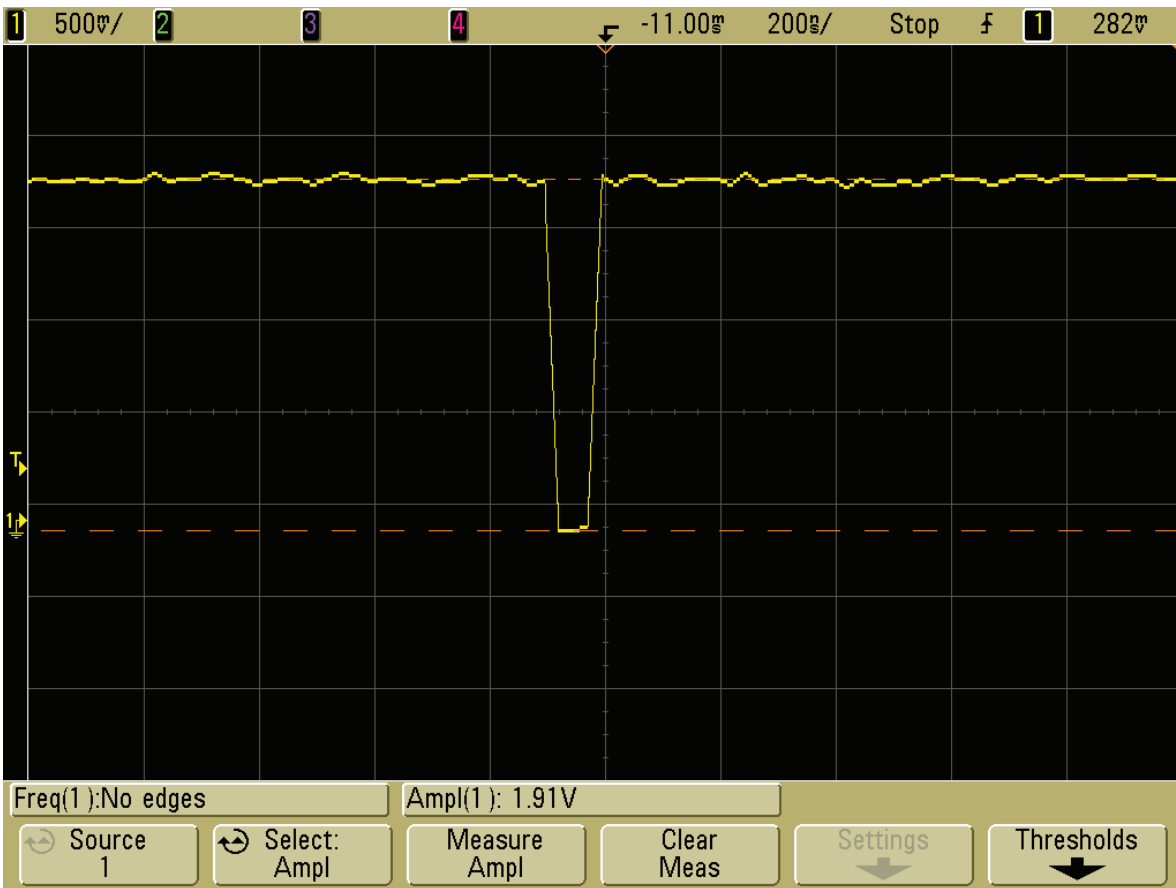
6.13.1 ADV



Trace 1: Trace recorded at R6314.

Figure 6-33. FLASH CONTROL – ADV Waveform

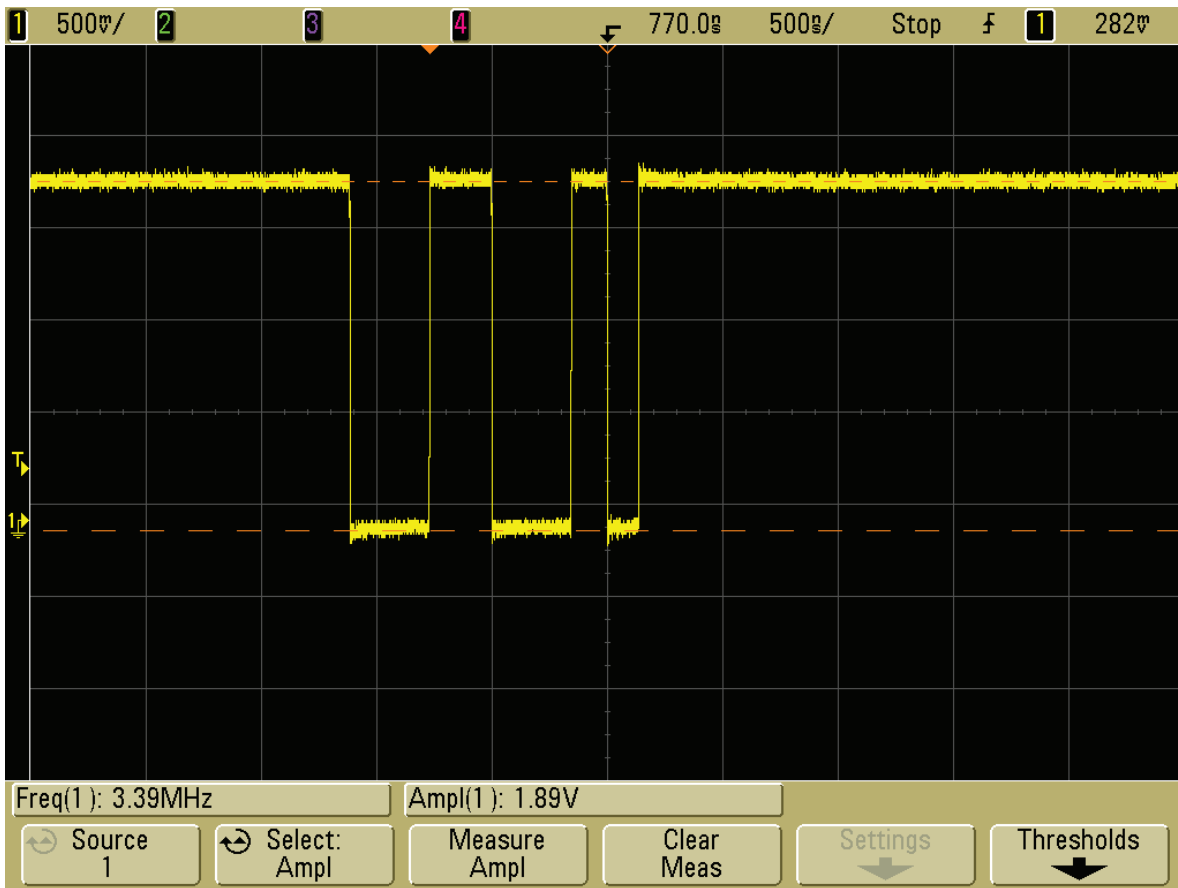
6.13.2 CPLD CS



Trace 1: Trace recorded at R6118.

Figure 6-34. FLASH CONTROL – CPLD CS Waveform

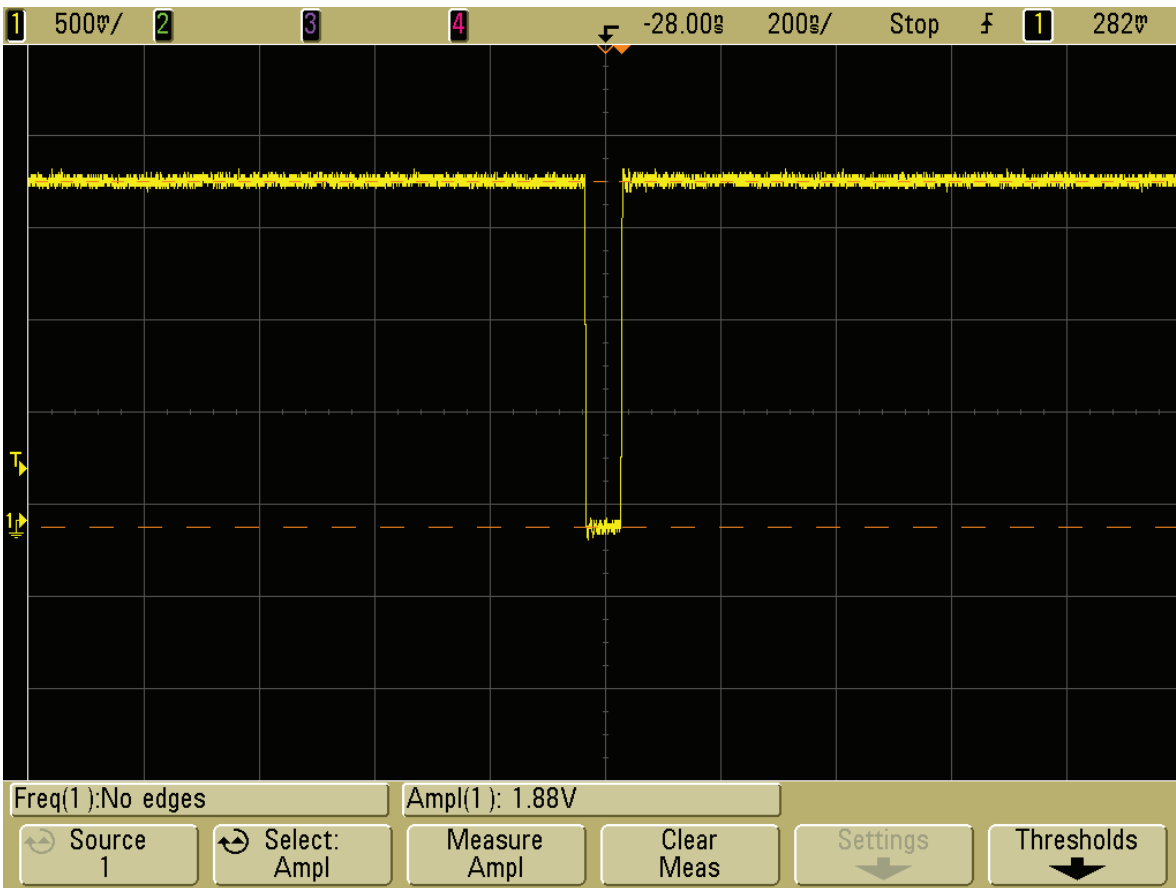
6.13.3 CS3



Trace 1: Trace recorded at R6311.

Figure 6-35. FLASH CONTROL – CS3 Waveform

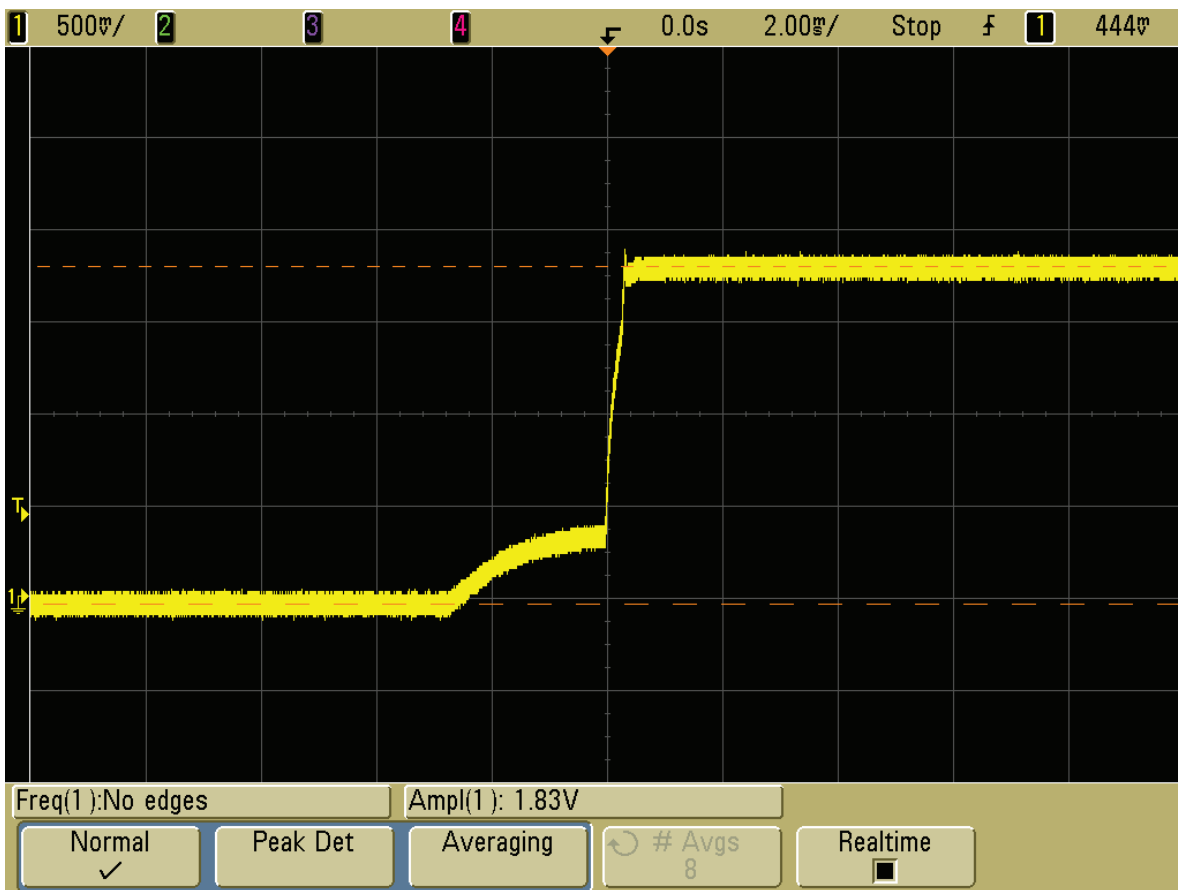
6.13.4 OE



Trace 1: Trace recorded at R6312.

Figure 6-36. FLASH CONTROL – OE Waveform

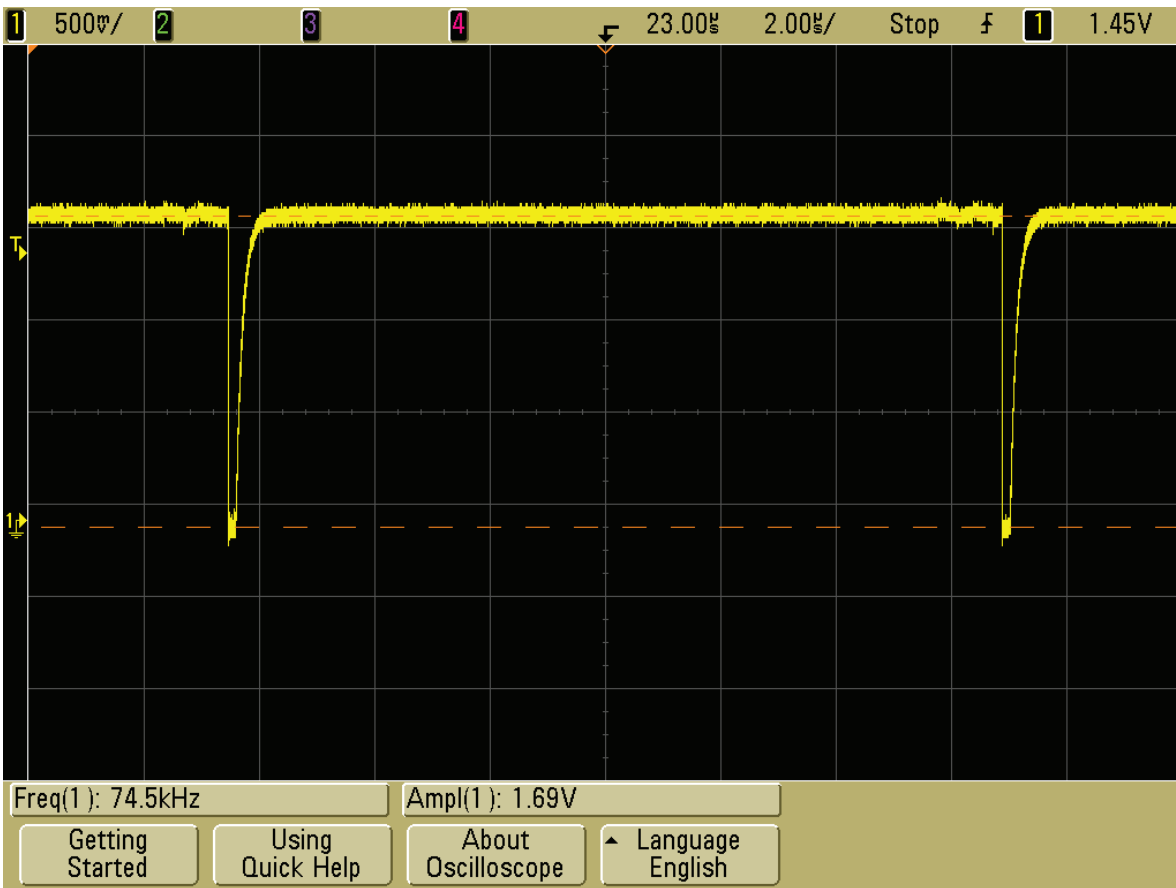
6.13.5 RDY



Trace 1: Trace recorded at R6309.

Figure 6-37. FLASH CONTROL – RDY Waveform

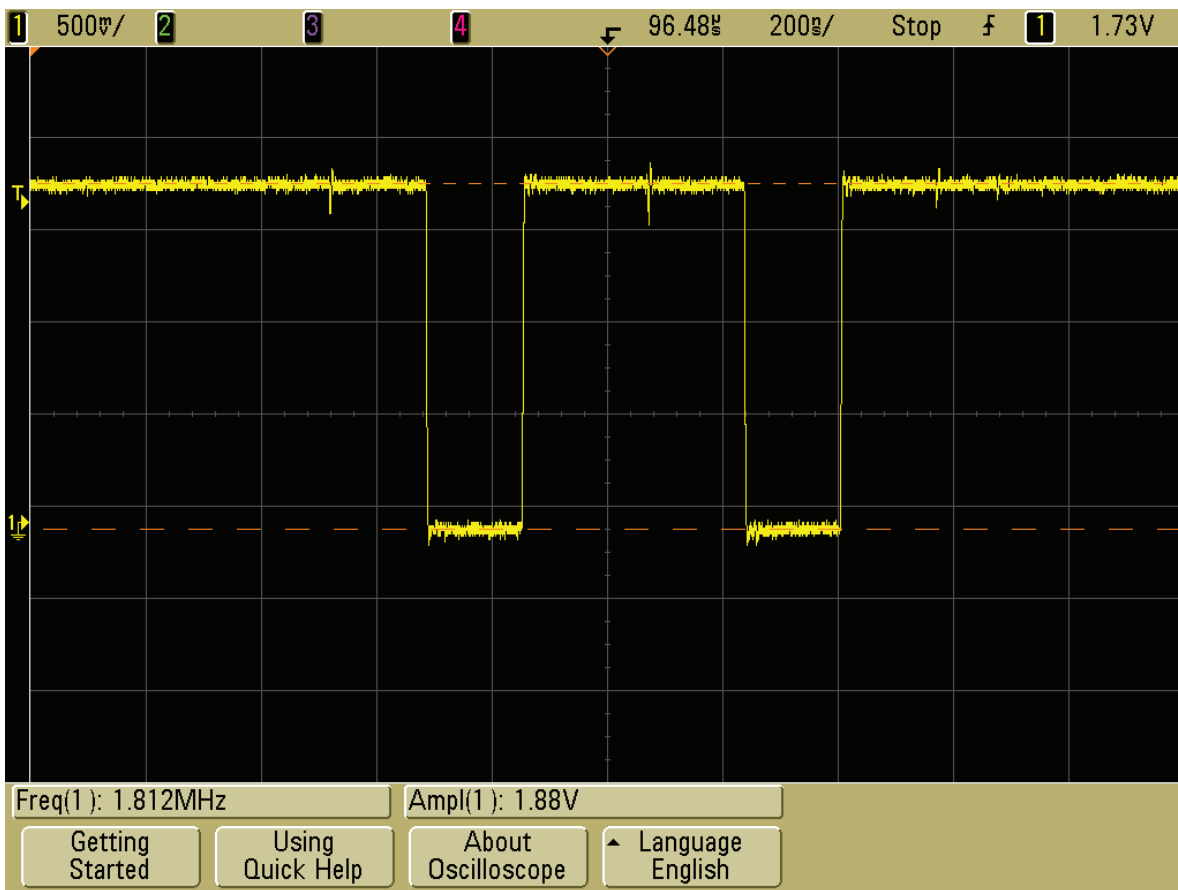
6.13.6 WAIT



Trace 1: Trace recorded at R6316.

Figure 6-38. FLASH CONTROL – WAIT Waveform

6.13.7 WE

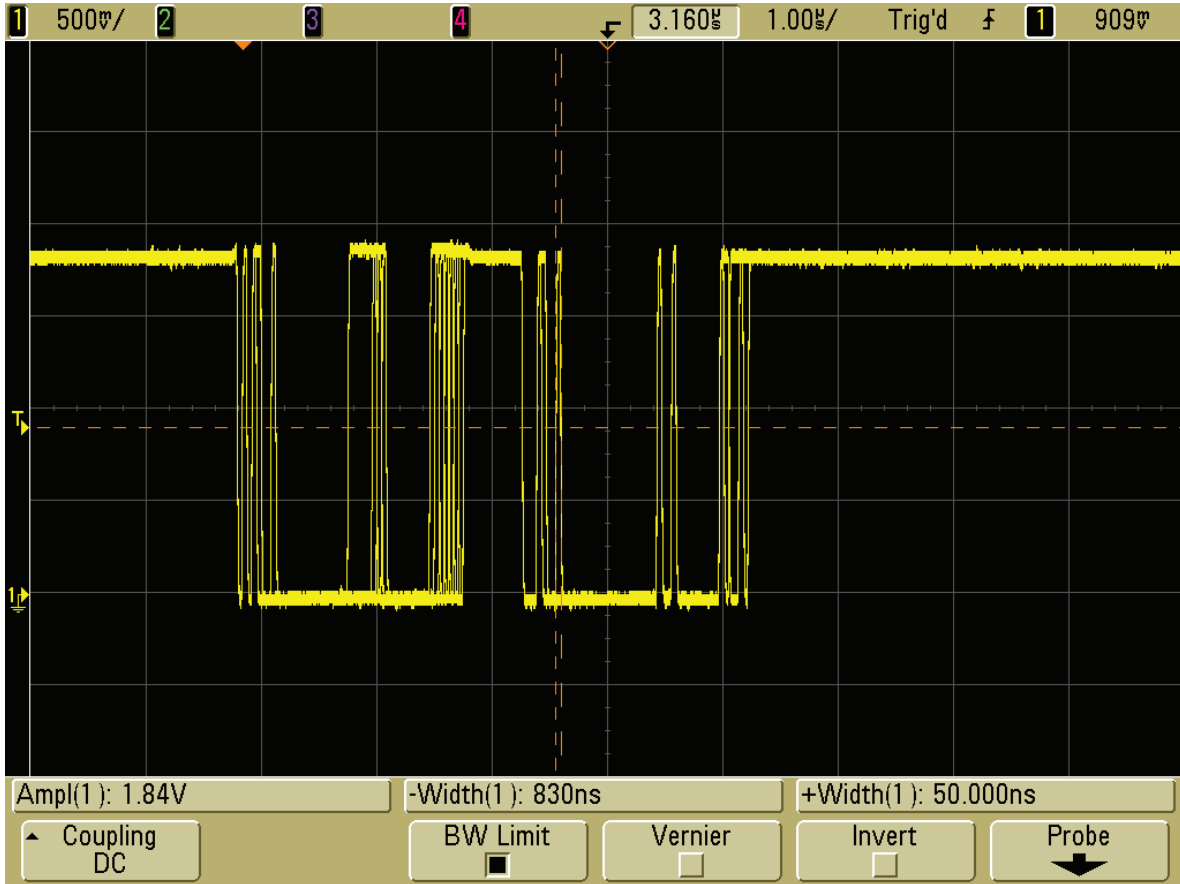


Trace 1: Trace recorded at R6313.

Figure 6-39. FLASH CONTROL – WE Waveform

6.14 Removable Memory

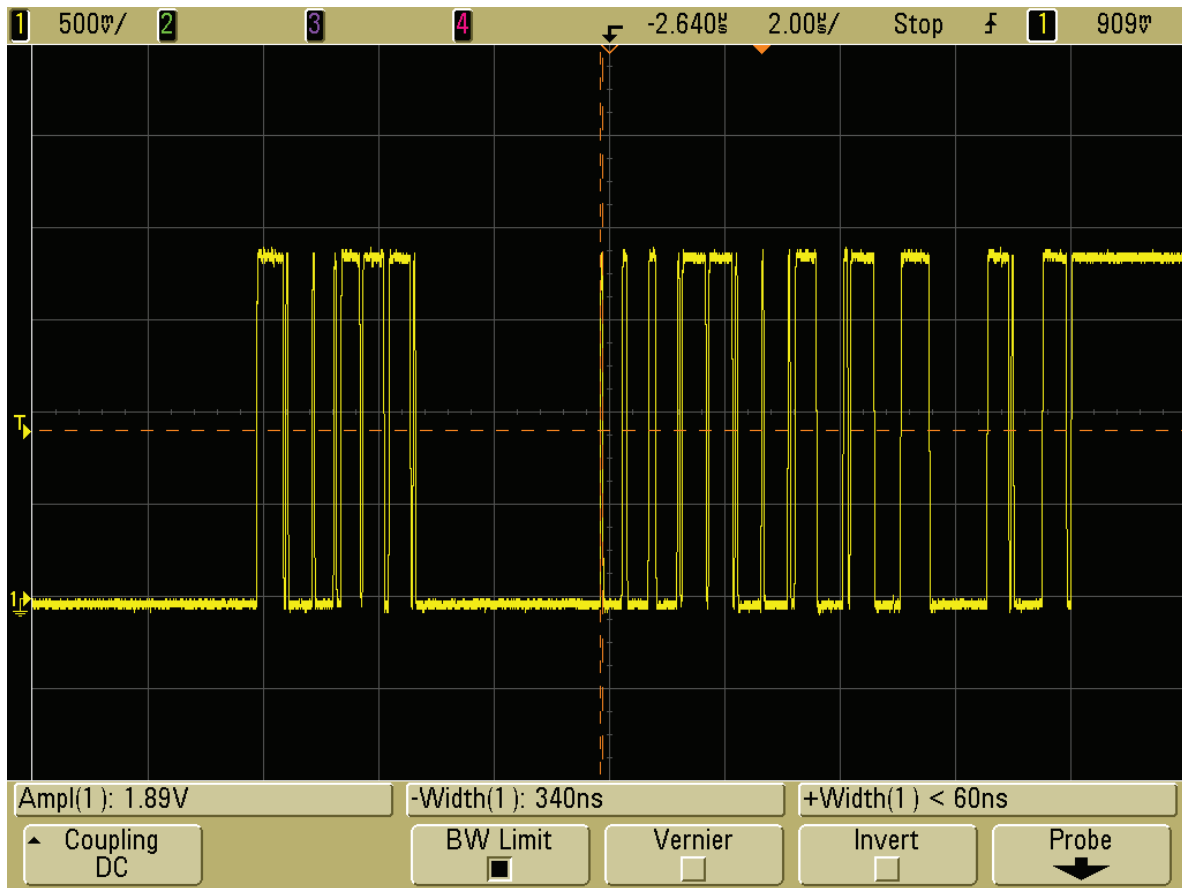
6.14.1 MMC2 CMD



Trace 1: Trace recorded at Pin 23 of J4001.

Figure 6-40. Removable Memory – MMC2 CMD Waveform

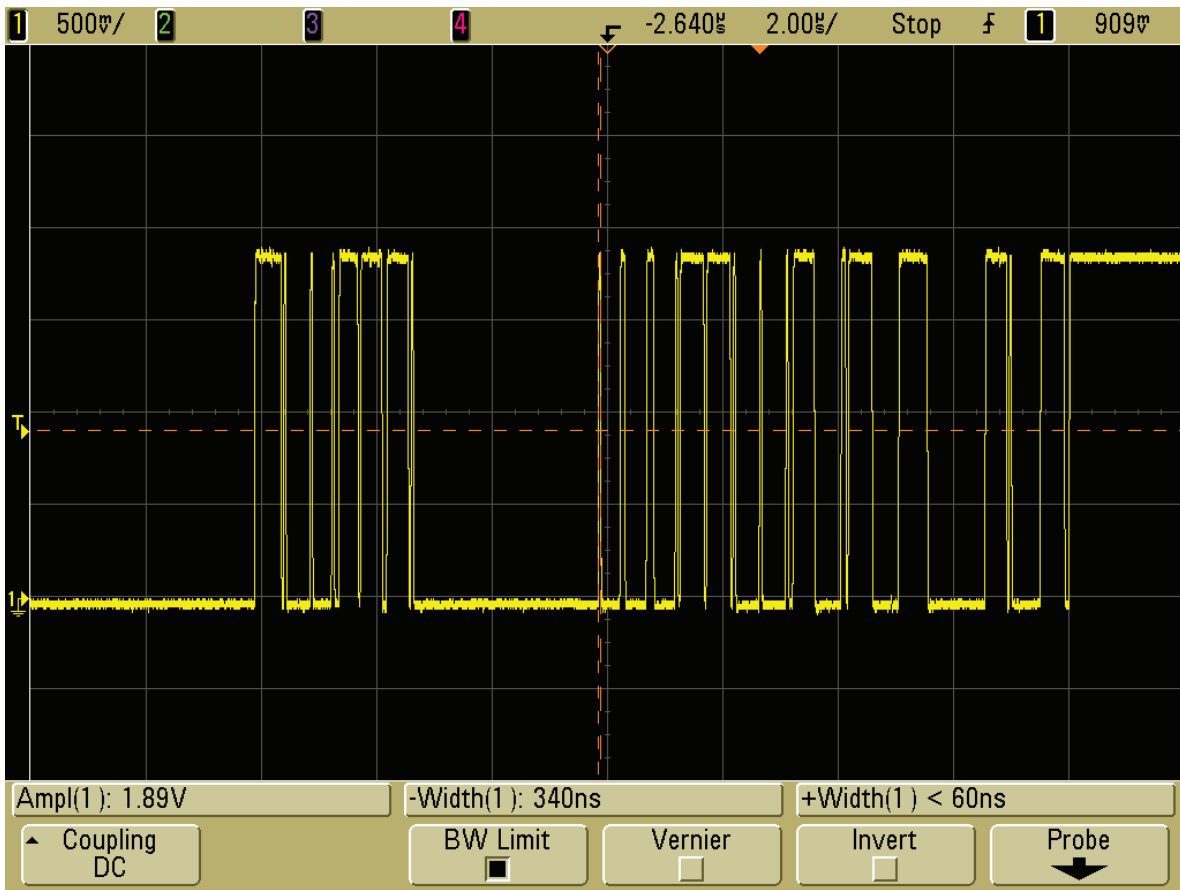
6.14.2 MMC2 D0



Trace 1: Trace recorded at Pin 15 of J4001.

Figure 6-41. Removable Memory – MMC2 D0 Waveform

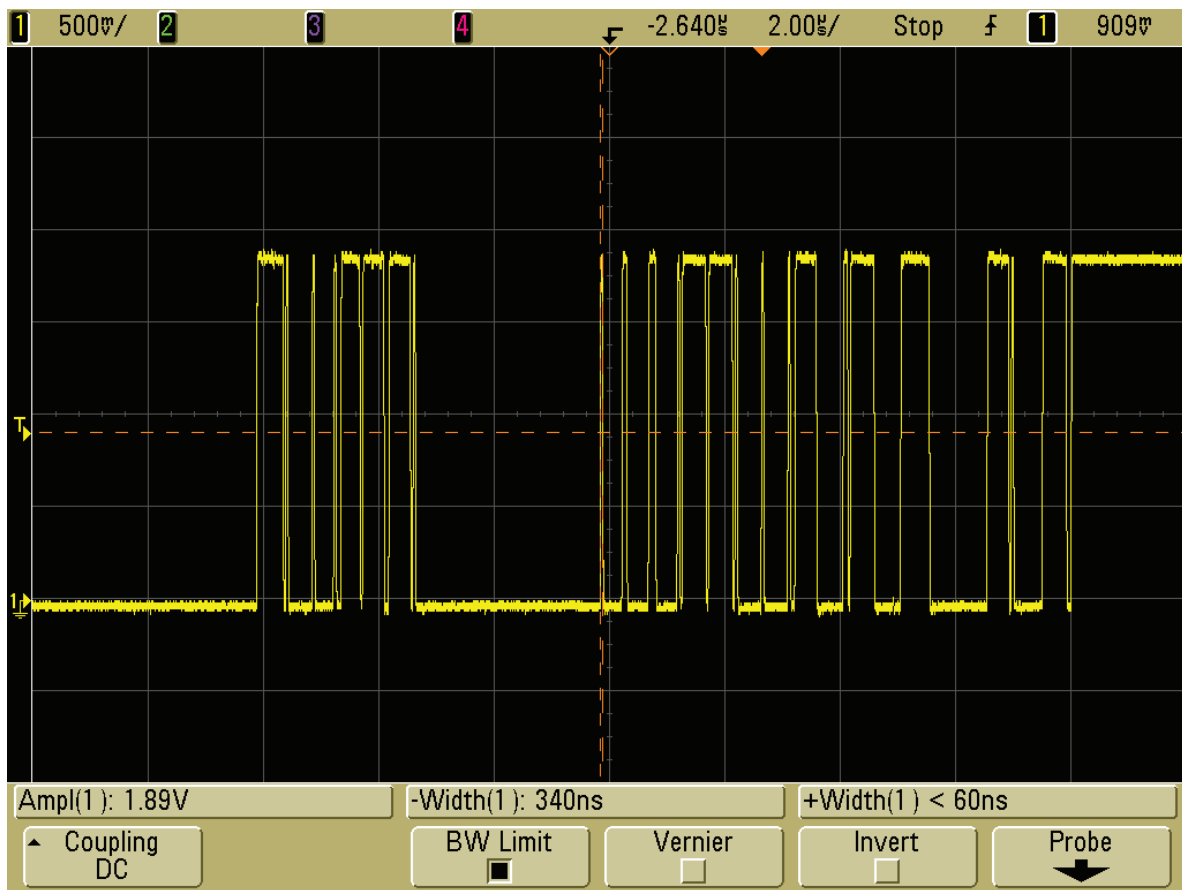
6.14.3 MMC2 D1



Trace 1: Trace recorded at Pin 17 of J4001.

Figure 6-42. Removable Memory – MMC2 D1 Waveform

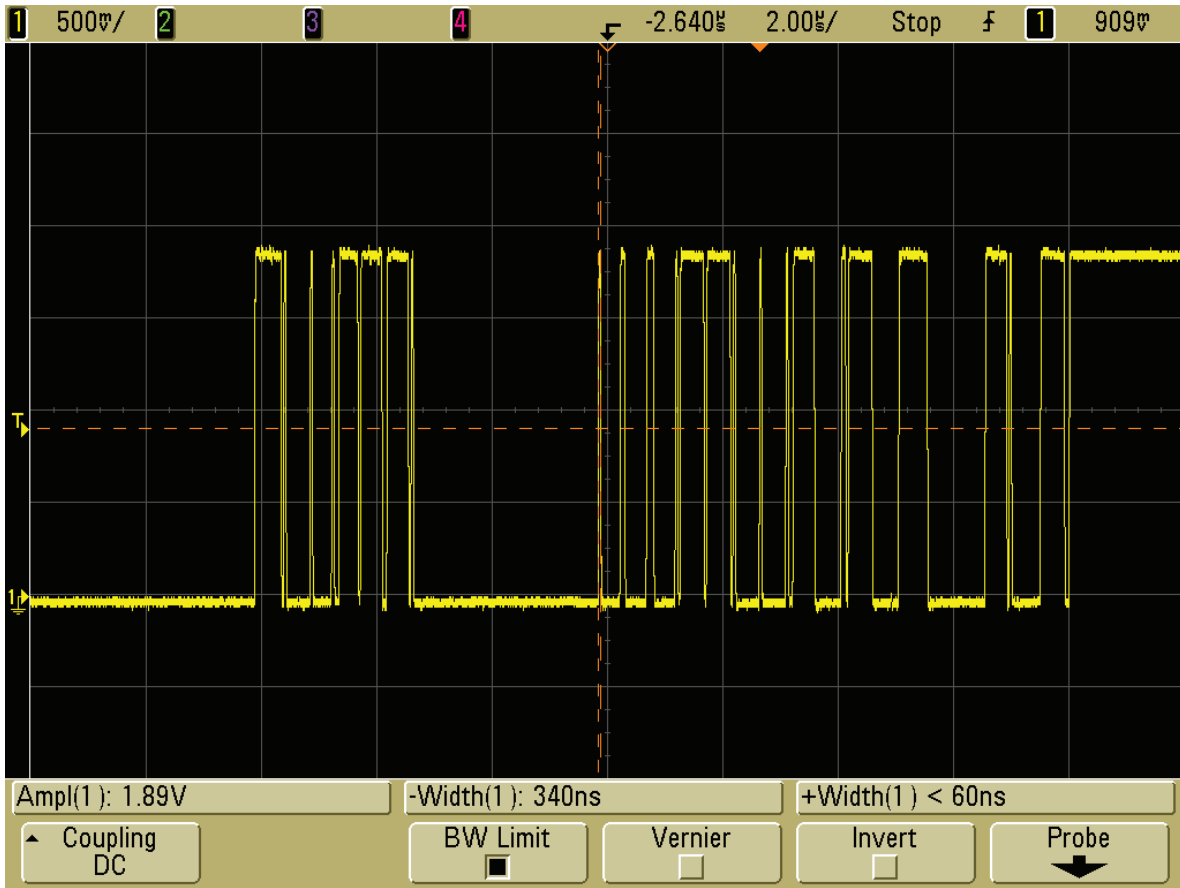
6.14.4 MMC2 D2



Trace 1: Trace recorded at Pin 19 of J4001.

Figure 6-43. Removable Memory – MMC2 D2 Waveform

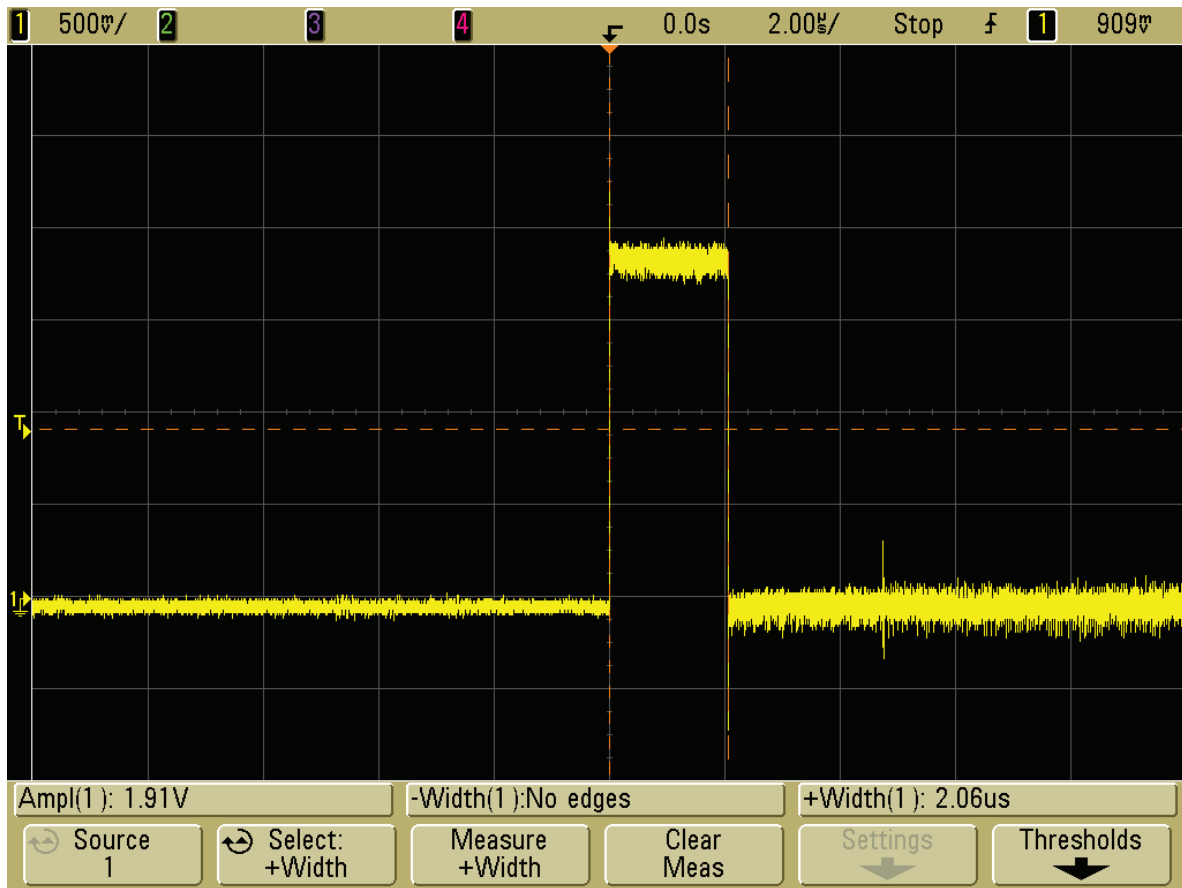
6.14.5 MMC2 D3



Trace 1: Trace recorded at Pin 21 of J4001.

Figure 6-44. Removable Memory – MMC2 D3 Waveform

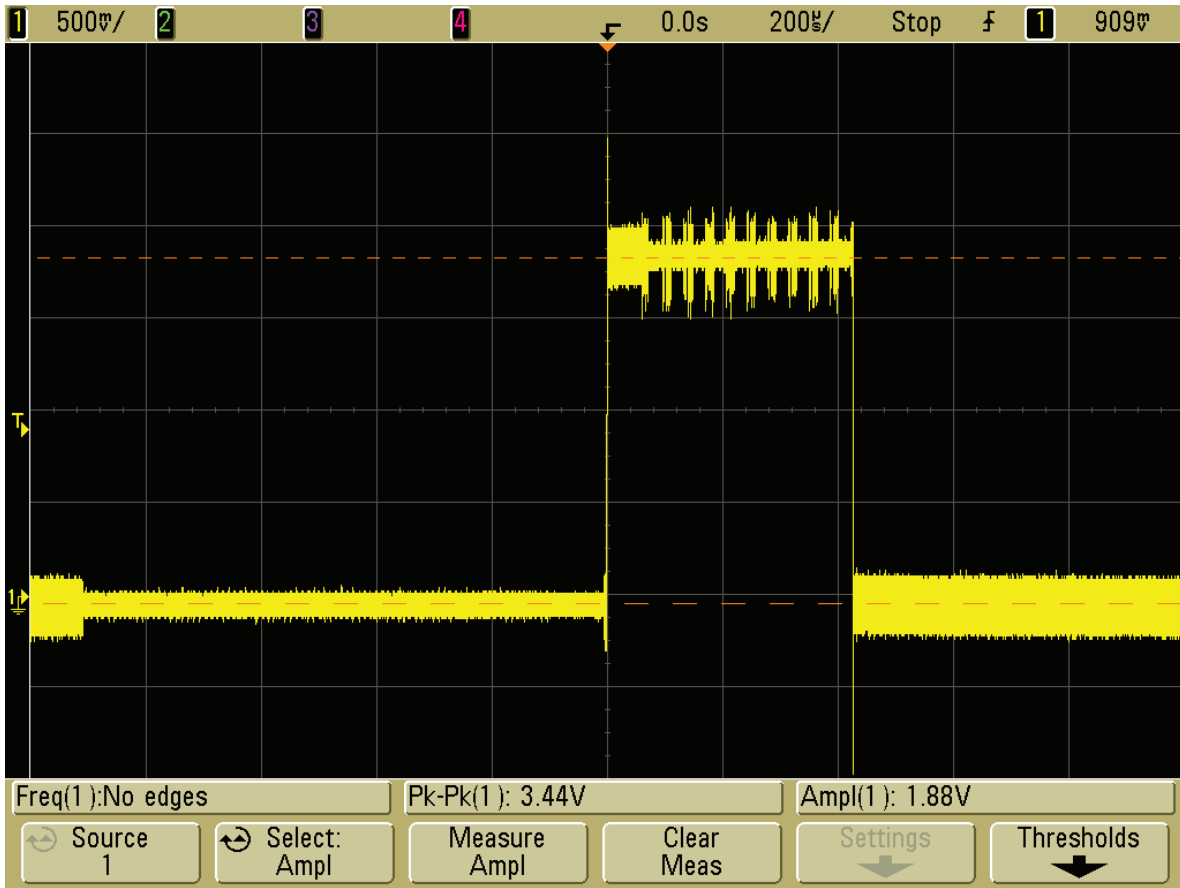
6.14.6 MMC2 CMD DIR



Trace 1: Trace recorded at Pin 13 of J4001.

Figure 6-45. Removable Memory – MMC2 CMD DIR Waveform

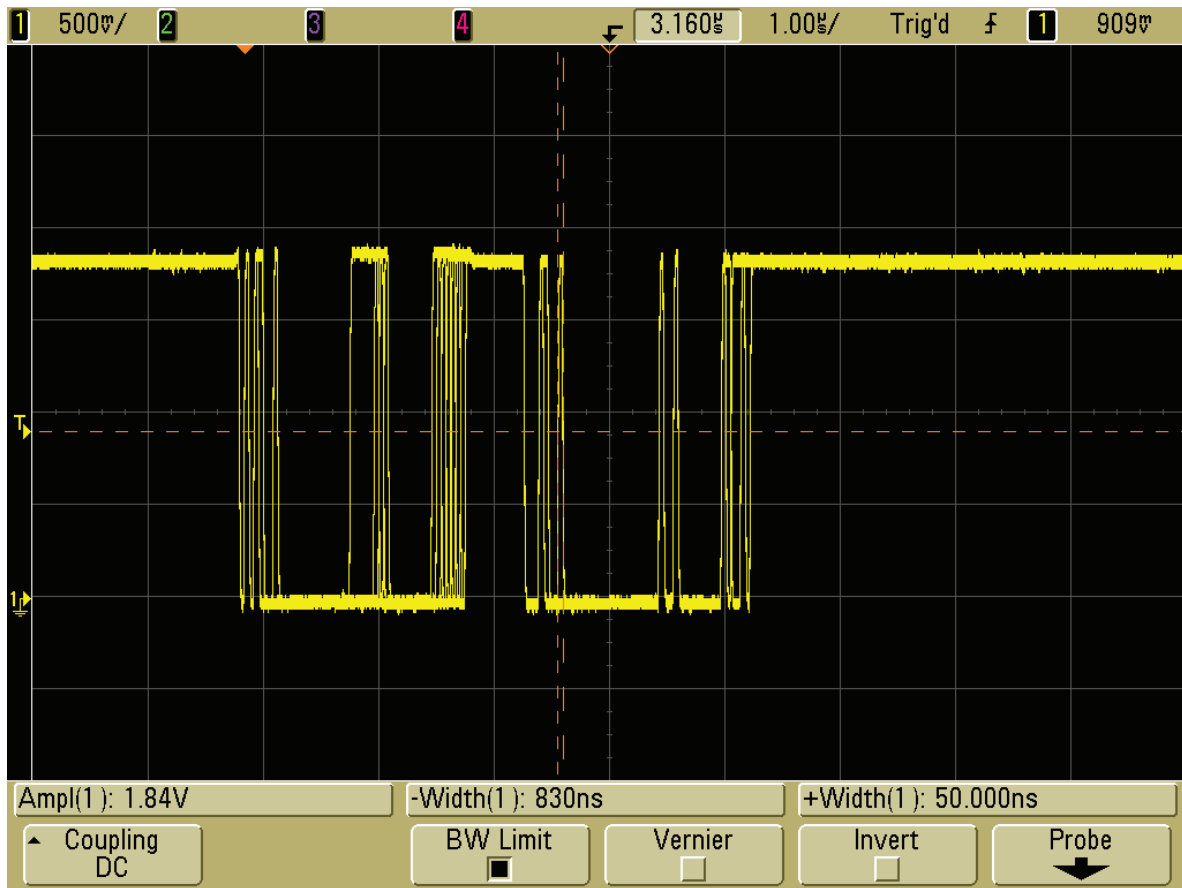
6.14.7 MMC2 D0 DIR



Trace 1: Trace recorded at Pin 9 of J4001.

Figure 6-46. Removable Memory – MMC2 D0 DIR Waveform

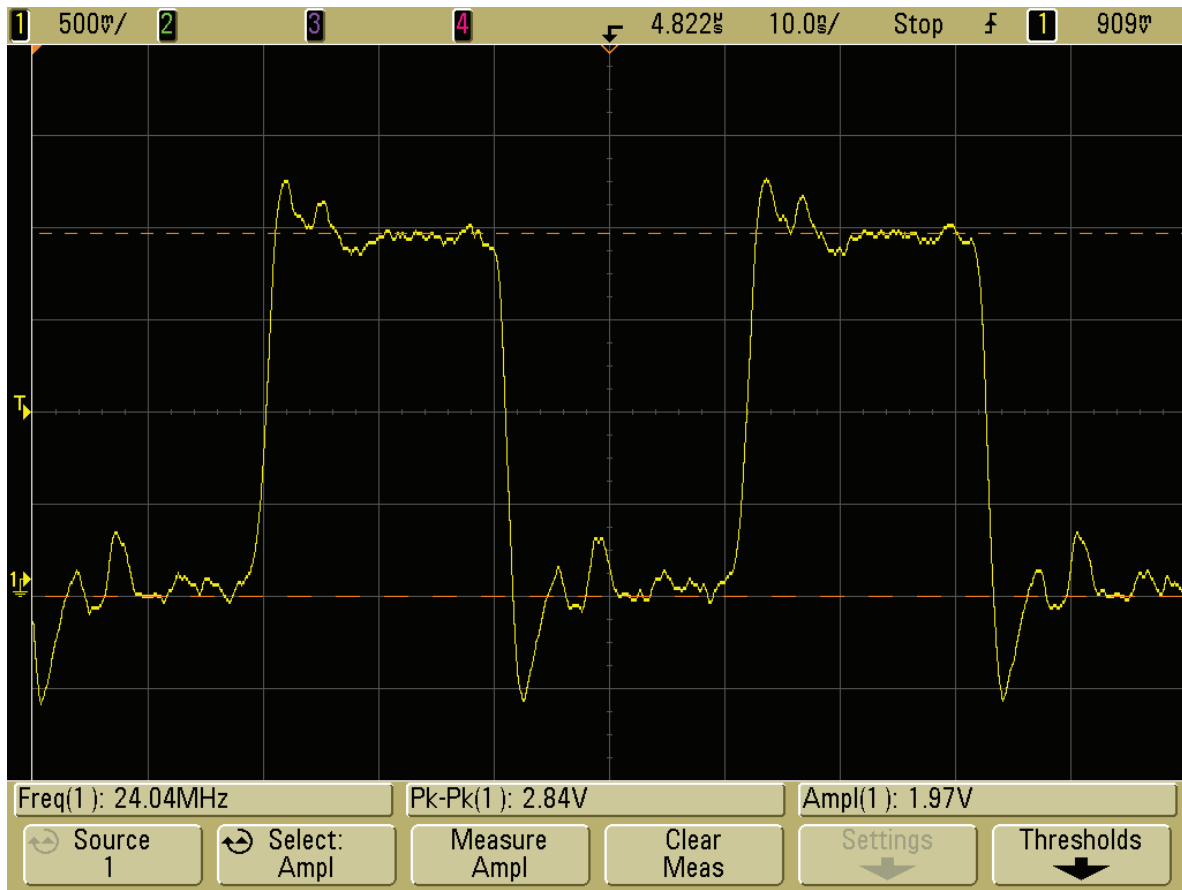
6.14.8 MMC2 D1 DIR



Trace 1: Trace recorded at Pin 11 of J4001.

Figure 6-47. Removable Memory – MMC2 D1 DIR Waveform

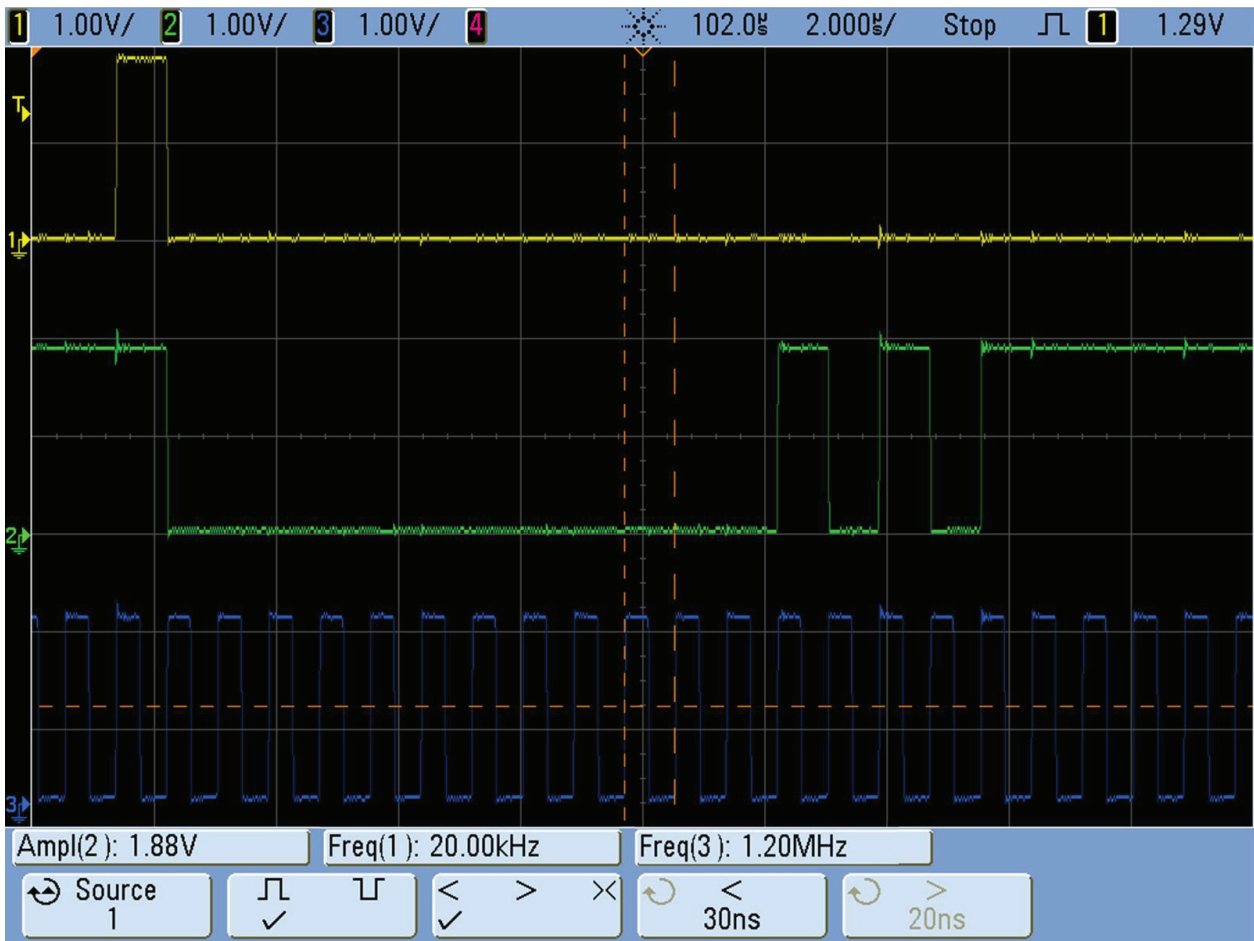
6.14.9 MMC2 CLK



Trace 1: Trace recorded at Pin 3 of J4001.

Figure 6-48. Removable Memory – MMC2 CLK Waveform

6.15 Receive Baseband Signals

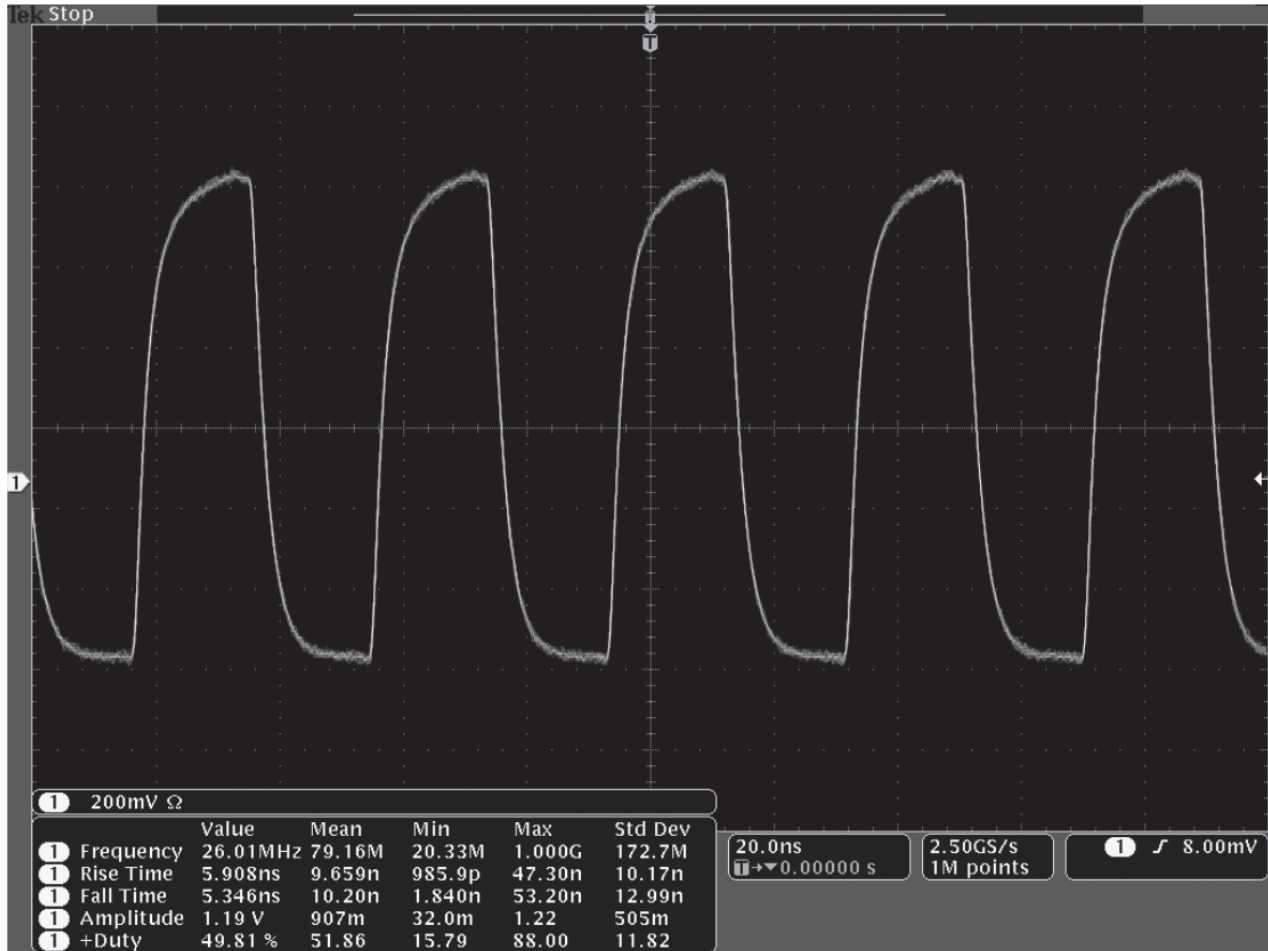


- Trace 1: DIG_DATA_SSI_RX_FS at TP111 or
ABACUS_SSI 1 (RX_FSYNC) – W6 of U6302 OMAP (J1001_pin 11).
- Trace 2: DIG_DATA_SSI_RX_DOUTA at TP112 or
ABACUS_SSI 2(RX_DA) – P10 of U6302 OMAP (J1001_Pin 13).
- Trace 3: CLK_SSI_RX at TP106 or
ABACUS_SSI 0 (RX_CLK) – V7 of U6302 OMAP (J1001_Pin 15).

Figure 6-49. Received Baseband Waveforms

6.16 GPS

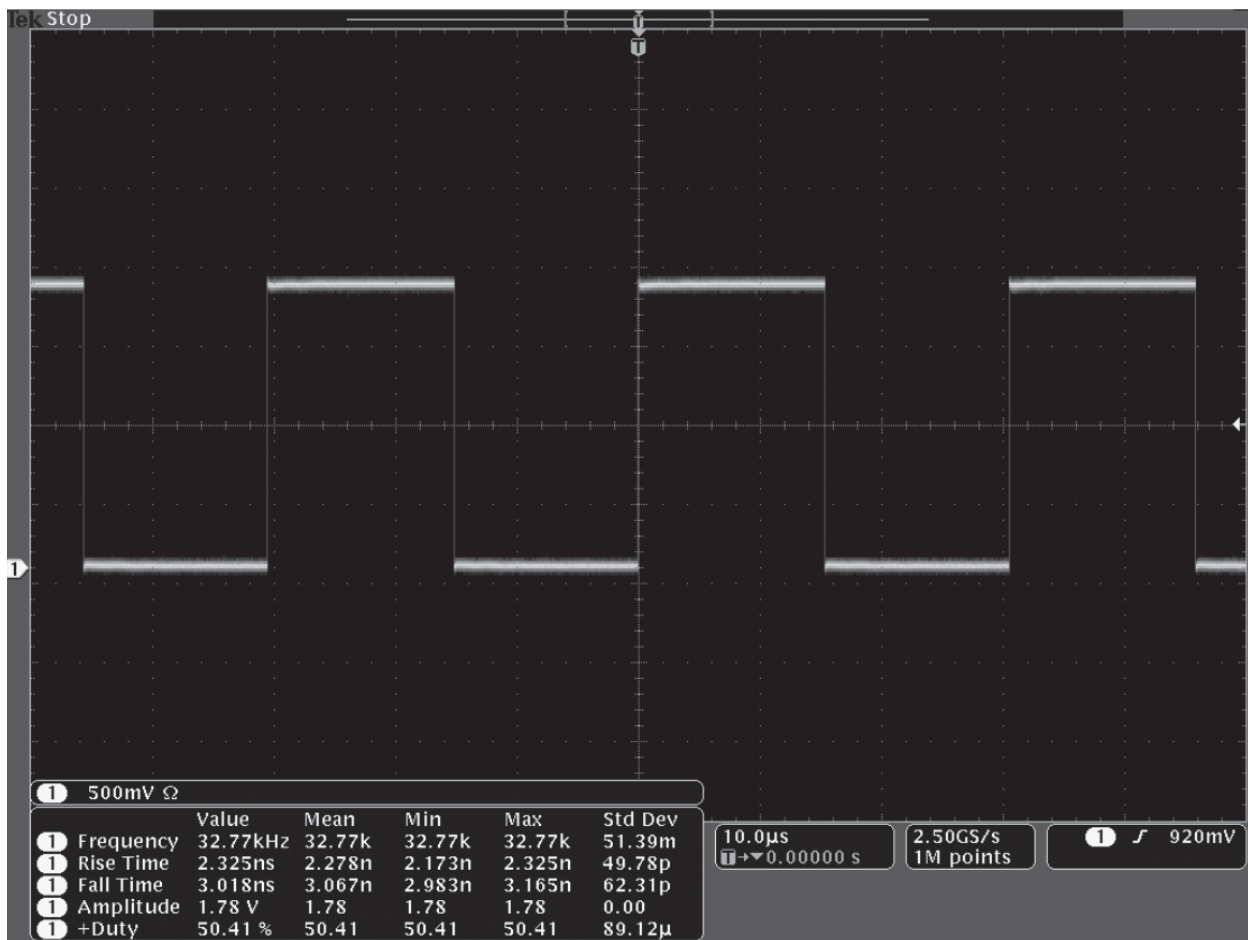
6.16.1 GPS TCXO (26 MHz TCXO)



Trace 1: Trace recorded at C2238.

Figure 6-50. GPS TCXO Waveforms

6.16.2 GPS RTC (GPS 32 kHz RTC)



Trace 1: Trace recorded at R2216.

Figure 6-51. GPS RTC Waveforms

6.16.3 GPS UART (RX / TX) Data



Trace 1: Trace recorded at TP2205 (RX) / TP2206 (TX).

Figure 6-52. GPS UART DATA Waveforms

Chapter 7 Troubleshooting Tables

7.1 List of Board and IC Signals

Due to the nature of the schematic-generating program, signal names might be different when they are not directly connected to the same point. The tables in this chapter provide a cross reference to the various pinouts for these signals. [Table 7-1](#) lists and provides links to each of the tables in this chapter.

Table 7-1. List of Tables of Board and IC Signals

Table No.	Table Name	Page No.
7-2	J1001 VOCON Board to RF Board	7-2
7-3	J4001 VOCON Board to Expansion Board	7-3
7-4	J2101 VOCON Board to Control Top	7-4
7-5	J2301 VOCON Board (MNCN6200) to Front Chassis	7-5
7-6	J2301 VOCON Board (MNCN6202) to Front Chassis	7-6
7-7	J2004 Expansion Board to GCAI	7-7
7-8	J2005 Expansion Board to Side Buttons	7-7
7-9	J2101 Expansion Board to Memory Card (Slot)	7-8
7-10	Expansion Board to Front Internal Speaker and Mic	7-8
7-11	U6302 OMAP Pinouts	7-9
7-12	U6304 FLASH Pinouts	7-27
7-13	U6301 DDR Pinouts	7-30
7-14	U6101 CPLD Pinouts	7-33
7-15	U6501 MAKO Pinouts	7-38
7-16	U5003 MACE Pinouts	7-46
7-17	U6405 CODEC Pinouts	7-52
7-18	U2206 GPS Pinouts	7-55

Table 7-2. J1001 VOCON Board to RF Board

J1001 Pin No.	Description	J1001 Pin No.	Description
1	GROUND	21	GPS_ANT (R1001)
2	EEPROM_CS	22	ABACUS_CS
3	CLK_16.8MHZ	23	F2_SYNCB
4	GROUND	24	GROUND
5	GROUND	25	LOCK (R1011)
6	VCC_1.875	26	BSTAT
7	RF_BRD_RSTB	27	TRIDENT_CS
8	VCC_2.775	28	UNSW_B+
9	DMCS	29	SPI_DSP_MISO (R1002)
10	F2_PARAMP (R1016)	30	UNSW_B+
11	RX_FSYNC (R1004)	31	SPI_DSP_MOSI
12	TX_INH	32	UNSW_B+
13	RX_DA (R1005)	33	SPI_DSP_CLK (R1003)
14	DAC_CS	34	UNSW_B+
15	RX_CLK (R1006)	35	GROUND
16	ISET	36	UNSW_B+
17	TX_FSYNC (R1007)	37	VCC_SW_3.6
18	TX_DA_CONN (R1017)	38	GROUND
19	TX_CLK (R1008)	39	GROUND
20	DUAL_WATCH_LO (GROUNDED THRU R1014 (0 OHM))	40	GROUND

Table 7-3. J4001 VOCON Board to Expansion Board

J4001 Pin No.	Description	J4001 Pin No.	Description
1	GROUND	32	GROUND
2	VCC_SW_3.6	33	GROUND
3	MMC2_CLK	34	GPIO3_RTS_FILLSENSE
4	GROUND	35	PA_MUTE_CONN
5	MMC2_CLK_FB	36	GPIO2_DM_RXDC_FILLDATA
6	CLK_32KHZ_GPS	37	PA_SHDN_CONN
7	GROUND	38	GPIO_DP_TXDC_FILLREQ
8	GROUND	39	AUDIO_MIC_NEG
9	MMC2_DAT0_DIR	40	GCAI_1WIRE_5V
10	GPS_RX	41	AUDIO_MIC_POS
11	MMC2_DAT1_DIR	42	GPIO4_CTS_KEYFAIL_FILLCLK
12	GPS_TX	43	GROUND
13	MMC2_CMD_DIR	44	GROUND
14	GPS_RESET	45	PRE_CLASS_D_NEG
15	MMC2_DAT0	46	VBUS2_FILT
16	GROUND	47	PRE_CLASS_D_POS
17	MMC2_DAT1	48	VBUS2_FILT
18	PTT	49	GROUND
19	MMC2_DAT2	50	GPIO0
20	SIDE_1	51	SW_B+
21	MMC2_DAT3	52	EXT_MIC_NEG
22	SIDE_2	53	SW_B+
23	MMC2_CMD	54	EXT_MIC_POS
24	MON	55	SW_B+
25	MMC2_CMD	56	GROUND
26	VCC_2.8	57	SW_B+
27	MPC	58	EXT_SKR_NEG
28	VCC_1.875	59	GROUND
29	GROUND	60	EXT_SPKR_POS
30	GROUND	G1	GROUND
31	GPS_ANT (R4001)	G2	GROUND

Table 7-4. J2101 VOCON Board to Control Top

J2101 Pin No.	Description	J2101 Pin No.	Description
1	VDD_LC	26	CID_R
2	Ground	27	Ground
3	Ground	28	Ground
4	FREQ_LED_W	29	VCC_SW_1.875 (R2101)
5	VCC_2.775	30	VCC_2.775D (R2102)
6	FREQ_LED_G	31	TOP_DIS_D_C
7	VOL	32	OMAP_TDO
8	TX_RX_AMBER_LED	33	Ground
9	BSENS	34	RTCK
10	Ground	35	CID_CLK
11	TG0_CONN	36	3TMS_CON
12	FREQ_SEL_3_CONN	37	Ground
13	TG1_CONN	38	NTRST
14	FREQ_SEL_2_CONN	39	CID_DATA
15	TX_RX_RED_LED	40	CPLD_TDO
16	FREQ_SEL_1_CONN	41	Ground
17	TX_RX_GREEN_LED	42	CPLD_TMS_CON
18	FREQ_SEL_0_CONN	43	CID_CS
19	EMERG_PB	44	TCK_CON
20	SEC_CLEAR_CONN	45	Ground
21	Ground	46	1TDI_CON
22	Ground	47	CID_RST
23	CID_W	48	MACE_TDO
24	CID_G	49	Ground
25	VDD_LC	50	MACE_RTCK

Table 7-5. J2301 VOCON Board (MNCN6200) to Front Chassis

J2301 Pin No.	Description	J2301 Pin No.	Description
1	GROUND	31	LCD_CLK (R2325)
2	KP_ROW_0	32	GROUND
3	KP_COL_0	33	GROUND
4	KP_ROW_1	34	LCD_CS
5	KP_COL_1	35	LCD_VSYNC_CONN (R2303)
6	KP_ROW_2	36	GROUND
7	KP_COL_2	37	LCD_HSYNC_CONN (R2304)
8	KP_ROW_3	38	LCD_PCLK_CONN (R2305)
9	KP_COL_3	39	LCD_OE_CONN (R2306)
10	KP_ROW_4	40	GROUND
11	KP_COL_4	41	GROUND
12	GROUND	42	LCD_PIX15_CONN (R2307)
13	GROUND	43	LCD_PIX14_CONN (R2308)
14	KP_W	44	LCD_PIX13_CONN (R2309)
15	KP_G	45	LCD_PIX12_CONN (R2310)
16	KP_R	46	LCD_PIX11_CONN (R2311)
17	VDD_LC	47	LCD_RED0_CONN (R2312)
18	KP_A	48	LCD_PIX10_CONN (R2313)
19	GROUND	49	LCD_PIX9_CONN (R2314)
20	GROUND	50	LCD_PIX8_CONN (R2315)
21	VCC_SW_20V	51	LCD_PIX7_CONN (R2316)
22	LCD_RST	52	LCD_PIX6_CONN (R2317)
23	MAIN_BL_C	53	LCD_PIX5_CONN (R2318)
24	VCC_2.775D (2301)	54	LCD_PIX4_CONN (R2319)
25	VCC_SW_1.875 (R2302)	55	LCD_PIX3_CONN (R2320)
26	GROUND	56	LCD_PIX2_CONN (R2321)
27	GROUND	57	LCD_PIX1_CONN (R2322)
28	GROUND	58	LCD_PIX0_CONN (R2323)
29	GROUND	59	LCD_BLJEO_CONN (R2324)
30	LCD_DIN (R2326)	60	GROUND

Table 7-6. J2301 VOCON Board (MNCN6202) to Front Chassis

J2301 Pin No.	Description	J2301 Pin No.	Description
1	GROUND	32	LCD_RST
2	GROUND	33	MAIN_BL_LED1_C
3	GROUND	34	VCC_2.775D (2301)
4	GROUND	35	VCC_SW_1.875 (R2302)
5	GROUND	36	GROUND
6	GROUND	37	MAIN_BL_LED2_C
7	GROUND	38	GROUND
8	GROUND	39	MAIN_BL_LED3_C
9	GROUND	40	LCD_ID
10	GROUND	41	MAIN_BL_LED4_C
11	GROUND	42	GROUND
12	KP_ROW_0	43	MAIN_BL_LED5_C
13	KP_COL_0	44	GROUND
14	KP_ROW_1	45	GROUND
15	KP_COL_1	46	LCD IN (R2326)
16	KP_ROW_2	47	LCD_CLK (R2325)
17	KP_COL_2	48	GROUND
18	KP_ROW_3	49	GROUND
19	KP_COL_3	50	LCD_CS
20	KP_ROW_4	51	LCD_VSYNC_CONN (R2303)
21	KP_COL_4	52	GROUND
22	GROUND	53	LCD_HSYNC_CONN (R2304)
23	GROUND	54	LCD_PCLK_CONN (R2305)
24	KP_W	55	LCD_OE_CONN (R2306)
25	KP_G	56	GROUND
26	KP_R	57	GROUND
27	VDD_LC	58	LCD_PIX15_CONN (R2307)
28	KP_A	59	LCD_PIX14_CONN (R2308)
29	GROUND	60	LCD_PIX13_CONN (R2309)
30	GROUND	61	LCD_PIX12_CONN (R2310)
31	VCC_SW_5V	62	LCD_PIX11_CONN (R2311)

Table 7-6. J2301 VOCON Board (MNCN6202) to Front Chassis (Continued)

J2301 Pin No.	Description	J2301 Pin No.	Description
63	LCD_RED0_CONN (R2312)	72	LCD_PIX2_CONN (R2321)
64	LCD_PIX10_CONN (R2313)	73	LCD_PIX1_CONN (R2322)
65	LCD_PIX9_CONN (R2314)	74	LCD_PIX0_CONN (R2323)
66	LCD_PIX8_CONN (R2315)	75	LCD_BLIJEO_CONN (R2324)
67	LCD_PIX7_CONN (R2316)	76	GROUND
68	LCD_PIX6_CONN (R2317)	77	GROUND
69	LCD_PIX5_CONN (R2318)	78	GROUND
70	LCD_PIX4_CONN (R2319)	79	GROUND
71	LCD_PIX3_CONN (R2320)	80	GROUND

Table 7-7. J2004 Expansion Board to GCAI

J2004 Pin No.	Description		
1	GCAI_EXT_MIC_N	11	GPS_RX
2	GCAI_EXT_MIC_P_2 (R2003)	12	UART_TX
3	GCAI_EXT_SPKR_N_1 (R2014)	13	GPS_TX
4	GCAI_EXT_SPKR_P_1 (R2013)	14	UART_RX
5	GROUND	15	GROUND
6	GCAI_ONE_WIRE_1	16	GCAI_USB_P_GPIO1
7	GCAI_GPIO0_1 (R2004)	17	GCAI_USB_N_GPIO2
8	GROUND	18	GROUND
9	GCAI_VBUS_5V	19	GCAI_RTS_GPIO3_1 (R2007)
10	GCAI_VBUS_5V	20	GCAI_GPIO4_CTS_1 (R2005)

Table 7-8. J2005 Expansion Board to Side Buttons

J2005 Pin No.	Description	J2005 Pin No.	Description
1	GROUND	6	GROUND
2	GROUND	7	CON_SB1_1 (R2010)
3	CON_MONITOR_1 (R2012)	8	CON_INT_PTT_1 (R2009)
4	CON_SB2_1 (R2011)	9	GROUND
5	GROUND	10	GROUND

Table 7-9. J2101 Expansion Board to Memory Card (Slot)

J2101 Pin No.	Description
1	MMC2_USD_DAT2
2	MMC2_USD_DAT3
3	MMC2_USD_COM
4	MMC2_CD_DET_V3.0
5	MMC2_USD_CLK
6	GROUND
7	MMC2_USD_DAT0
8	MMC2_USD_DAT1
9	GROUND (DETECT SW)
10	GROUND (COMMON)
G1	GROUND
G2	GROUND
G3	GROUND
G4	GROUND
G5	GROUND
G6	GROUND

Table 7-10. Expansion Board to Front Internal Speaker and Mic

Pin No.	Description
M2002	AUD_INT_SPKR_FILT_P
M2003	AUD_INT_SPKR_FILT_N
M2004	AUD_MIC_N
M2005	AUD_MIC_P_1

Table 7-11. U6302 OMAP Pinouts

U6302 Pin No.	Description	Comment	Probe Points	
			Not Shielded	Under Shield
M14	OPT_BD_GPIO_1_INT	MMC Interface Schematic	J3001_Pin 41	
M15	MMC1_OPT 1	MMC Interface Schematic	R3007, C3004, J3001_Pin 38	
P11	MMC1_OPT 2	MMC Interface Schematic	R3017, C3005, R3008, J3001_Pin 40	
P18	MMC1_OPT 4	MMC Interface Schematic	R3014, C3002, J3001_Pin 54	
P19	MMC1_OPT 3	MMC Interface Schematic	R3013, C3001, J3001_Pin 50	
P20	F2_TIMER_OUT	MMC Interface Schematic		TP6301
R10	MMC2 8	MMC Interface Schematic	R6303, J4001_Pin 21	
R11	MMC1_OPT 5	MMC Interface Schematic	R3018, C3006, R3009, J3001_Pin 42	
R18	MMC2_CLK_FB (MMC 9)	MMC Interface Schematic	J4001_Pin 5	
V5	MMC2_DAT0_DIR	MMC Interface Schematic	J4001_Pin 9	
V8	MMC2 6 (MMC2_DAT1)	MMC Interface Schematic	J4001_Pin 17	
V9	MMC2 2 (MMC2_CMD_DIR)	MMC Interface Schematic	J4001_Pin 13	
V10	MMC1_OPT 6	MMC Interface Schematic	R6302, C3007, J4001_Pin 21	
V11	MMC1_OPT 0	MMC Interface Schematic	J3001_Pin 36	R6304
W8	MMC2 5 (MMC2_DATA_0)	MMC Interface Schematic	J4001_Pin 15	
W10	MMC1_OPT 7	MMC Interface Schematic	R3020, C3008, R3011, J3001_Pin 46	
W11	MMC1_OPT 8	MMC Interface Schematic	R3021, C3009, R3012, J3001_Pin 48	
W15	MMC2 7	MMC Interface Schematic	R6303, J4001_Pin 19	
W19	MMC2 4 (MMC2_DAT1_DIR)	MMC Interface Schematic	J4001_Pin 11	
Y8	MMC2 1 (MMC2_CMD)	MMC Interface Schematic	J4001_Pin 23	
Y10	MMC2 0 (MMC2_CLK)	MMC Interface Schematic	J4001_Pin 3	R6305
A1	DDR_ADDR 3	DDR Interface Schematic	N/A	

Table 7-11. U6302 OMAP Pinouts (Continued)

U6302 Pin No.	Description	Comment	Probe Points	
			Not Shielded	Under Shield
A2	DDR_ADDR 0	DDR Interface Schematic	N/A	
B2	DDR_ADDR 1	DDR Interface Schematic	N/A	
B3	DDR_BANK0 {DDR_CNTRL 2}	DDR Interface Schematic	N/A	
B4	BBR_CAS {DDR_CNTRL 5}	DDR Interface Schematic	N/A	
B6	DDR_ADDR 2	DDR Interface Schematic	N/A	
B8	DDR_ADDR 10	DDR Interface Schematic	N/A	
B9	DDR_ADDR 5	DDR Interface Schematic	N/A	
B12	DDR_ADDR 9	DDR Interface Schematic	N/A	
C3	DDR_BANK1 {DDR_CNTRL 3}	DDR Interface Schematic	N/A	
C4	DDR_DATA 6	DDR Interface Schematic	N/A	
C5	DDR_DATA 2	DDR Interface Schematic	N/A	
C6	DDR_DATA 1	DDR Interface Schematic	N/A	
C7	DDR_DATA 5	DDR Interface Schematic	N/A	
C8	DDR_LDM {DDR_CNTRL 8}	DDR Interface Schematic	N/A	
C9	DDR_CLK_1	DDR Interface Schematic		TP6307
C10	DDR_DATA 8	DDR Interface Schematic		TP6306
C11	DDR_DATA 12	DDR Interface Schematic	N/A	
C12	DDR_DATA 15	DDR Interface Schematic	N/A	
C13	DDR_DATA 11	DDR Interface Schematic	N/A	
C14	DDR_DQSH {DDR_CNTRL 9}	DDR Interface Schematic	N/A	
D4	DDR_DQSL {DDR_CNTRL 10}	DDR Interface Schematic	N/A	
D5	DDR_DATA 4	DDR Interface Schematic	N/A	
D6	DDR_DATA 0	DDR Interface Schematic		TP6305
D7	DDR_DATA 3	DDR Interface Schematic	N/A	
D8	DDR_DATA 7	DDR Interface Schematic	N/A	
D9	DDR_CLKX_1	DDR Interface Schematic		TP6308
D10	DDR_UDM {DDR_CNTRL 7}	DDR Interface Schematic	N/A	
D11	DDR_DATA 10	DDR Interface Schematic	N/A	
D12	DDR_DATA 14	DDR Interface Schematic	N/A	
D13	DDR_DATA 13	DDR Interface Schematic	N/A	

Table 7-11. U6302 OMAP Pinouts (Continued)

U6302 Pin No.	Description	Comment	Probe Points	
			Not Shielded	Under Shield
D14	DDR_DATA 9	DDR Interface Schematic	N/A	
G8	DDR_CS {DDR_CNTRL 6}	DDR Interface Schematic	N/A	
G9	DDR_ADDR 8	DDR Interface Schematic	N/A	
G10	DDR_ADDR 4	DDR Interface Schematic	N/A	
G11	DDR_ADDR 7	DDR Interface Schematic	N/A	
G12	DDR_ADDR 6	DDR Interface Schematic	N/A	
H7	DDR_RAS {DDR_CNTRL 4}	DDR Interface Schematic	N/A	
H8	DDR_WE {DDR_CNTRL 1}	DDR Interface Schematic	N/A	
H9	DDR_ADDR 12	DDR Interface Schematic	N/A	
H10	DDR_ADDR 11	DDR Interface Schematic	N/A	
H11	DDR_ADDR 13	DDR Interface Schematic	N/A	
H12	DDR_CLKE {DDR_CNTRL 0}	DDR Interface Schematic	R6301	
C1	FLASH_ADDR 3	Flash Interface Schematic	N/A	
D2	FLASH_ADDR 5	Flash Interface Schematic	N/A	
D3	FLASH_ADDR 2	Flash Interface Schematic	N/A	
E1	FLASH_ADDR 25	Flash Interface Schematic	N/A	
E3	FLASH_ADDR 7	Flash Interface Schematic	N/A	
E4	FLASH_ADDR 4	Flash Interface Schematic	N/A	
F2	FLASH_ADDR 20	Flash Interface Schematic	N/A	
F3	FLASH_ADDR 9	Flash Interface Schematic	N/A	
F4	FLASH_ADDR 6	Flash Interface Schematic	N/A	
G2	FLASH_ADDR 12	Flash Interface Schematic	N/A	
G3	FLASH_ADDR 11	Flash Interface Schematic	N/A	

Table 7-11. U6302 OMAP Pinouts (Continued)

U6302 Pin No.	Description	Comment	Probe Points	
			Not Shielded	Under Shield
G4	FLASH_ADDR 10	Flash Interface Schematic	N/A	
H3	FLASH_ADDR 15	Flash Interface Schematic	N/A	
H4	FLASH_ADDR 14	Flash Interface Schematic	N/A	
J2	FLASH_ADDR 17	Flash Interface Schematic	N/A	
J3	FLASH_ADDR 19	Flash Interface Schematic	N/A	
J4	FLASH_ADDR 18	Flash Interface Schematic	N/A	
J7	FLASH_ADDR 8	Flash Interface Schematic	N/A	
J8	FLASH_ADDR 1	Flash Interface Schematic	N/A	
K3	FLASH_ADDR 23	Flash Interface Schematic	N/A	
K4	FLASH_ADDR 22	Flash Interface Schematic	N/A	
K7	FLASH_ADDR 16	Flash Interface Schematic	N/A	
K8	FLASH_ADDR 13	Flash Interface Schematic	N/A	
L4	FLASH_CNTRL 0	Flash Interface Schematic		R6314
L7	FLASH_ADDR 24	Flash Interface Schematic	N/A	
L8	FLASH_ADDR 21	Flash Interface Schematic	N/A	
M3	FLASH_CNTRL 8	Flash Interface Schematic		R6118
M4	NFCS_2	Flash Interface Schematic		TP6302
M7	AUDIO_PA_MUTE	Flash Interface Schematic	R4002, J4001_Pin 35	
N2	FLASH_DATA 1	Flash Interface Schematic	N/A	

Table 7-11. U6302 OMAP Pinouts (Continued)

U6302 Pin No.	Description	Comment	Probe Points	
			Not Shielded	Under Shield
N3	FLASH_CNTRL 6	Flash Interface Schematic		R6310
N4	FLASH_DATA 0	Flash Interface Schematic	N/A	
N7	FLASH_DATA 2	Flash Interface Schematic	N/A	
N8	FLASH CONTROL 1	Flash Interface Schematic		R6311
P2	FLASH_DATA 3	Flash Interface Schematic	N/A	
P4	FLASH_DATA 4	Flash Interface Schematic	N/A	
P7	FLASH_DATA 5	Flash Interface Schematic	N/A	
P8	FLASH_DATA 11	Flash Interface Schematic	N/A	
R2	FLASH_DATA 6	Flash Interface Schematic	N/A	
R3	FLASH_DATA 7	Flash Interface Schematic	N/A	
R4	FLASH_DATA 8	Flash Interface Schematic	N/A	
T2	FLASH_DATA 9	Flash Interface Schematic	N/A	
T3	FLASH_DATA 10	Flash Interface Schematic	N/A	
T4	FLASH_DATA 14	Flash Interface Schematic	N/A	
U1	FLASH_DATA 12	Flash Interface Schematic	N/A	
U3	FLASH_DATA 13	Flash Interface Schematic	N/A	
U4	FLASH_CNTRL 2	Flash Interface Schematic		R6312
V2	FLASH_CNTRL 7	Flash Interface Schematic		R6309
V3	FLASH_DATA 15	Flash Interface Schematic	N/A	

Table 7-11. U6302 OMAP Pinouts (Continued)

U6302 Pin No.	Description	Comment	Probe Points	
			Not Shielded	Under Shield
V4	FLASH_CNTRL 5	Flash Interface Schematic	N/A	
W1	FLASH_CNTRL 3	Flash Interface Schematic	N/A	
W2	FLASH_CNTRL 4	Flash Interface Schematic		R6313
A3	CORE_1.4	Serial Interface and OMAP Power Schematics		E6502, R6501, R6502, R6503, C6502, C6505, C6507, C6509, C6511, C6513, C6516, C6518, C6519, C6520, C6522, C6523, C6526, C6528, C6529, C6530, C6531, C6532
A5	CORE_1.87	Serial Interface and OMAP Power Schematics		E6501, C6524, C6501, C6504, C6506, C6508, C6510, C6512, C6514, C6515, C6517
A7	CORE_1.87	Serial Interface and OMAP Power Schematics		E6501, C6524, C6501, C6504, C6506, C6508, C6510, C6512, C6514, C6515, C6517
A9	CORE_1.4	Serial Interface and OMAP Power Schematics		R6501, R6502, C6502, C6505, C6507, C6509, C6511, C6513, C6516, C6518, C6519, C6520, C6522, C6523, C6526, C6528, C6529, C6532
A11	VDD_DLL	Serial Interface and OMAP Power Schematics		R6503, C6531
A13	GROUND	Serial Interface and OMAP Power Schematics	–	

Table 7-11. U6302 OMAP Pinouts (Continued)

U6302 Pin No.	Description	Comment	Probe Points	
			Not Shielded	Under Shield
A15	CORE_1.4	Serial Interface and OMAP Power Schematics		R6501, R6502, C6502, C6505, C6507, C6509, C6511, C6513, C6516, C6518, C6519, C6520, C6522, C6523, C6526, C6528, C6529, C6532
A19	CORE_1.87	Serial Interface and OMAP Power Schematics		E6501, C6524, C6501, C6504, C6506, C6508, C6510, C6512, C6514, C6515, C6517
A21	GROUND	Serial Interface and OMAP Power Schematics	–	
B1	GROUND	Serial Interface and OMAP Power Schematics	–	
B5	GROUND	Serial Interface and OMAP Power Schematics	–	
B7	GROUND	Serial Interface and OMAP Power Schematics	–	
B10	CORE_1.87	Serial Interface and OMAP Power Schematics		E6501, C6524, C6501, C6504, C6506, C6508, C6510, C6512, C6514, C6515, C6517
B13	CORE_1.4	Serial Interface and OMAP Power Schematics		R6501, R6502, C6502, C6505, C6507, C6509, C6511, C6513, C6516, C6518, C6519, C6520, C6522, C6523, C6526, C6528, C6529, C6532
B14	CORE_1.87	Serial Interface and OMAP Power Schematics		E6501, C6524, C6501, C6504, C6506, C6508, C6510, C6512, C6514, C6515, C6517
B16	GROUND	Serial Interface and OMAP Power Schematics	–	

Table 7-11. U6302 OMAP Pinouts (Continued)

U6302 Pin No.	Description	Comment	Probe Points	
			Not Shielded	Under Shield
B20	CORE_1.4	Serial Interface and OMAP Power Schematics		R6501, R6502, C6502, C6505, C6507, C6509, C6511, C6513, C6516, C6518, C6519, C6520, C6522, C6523, C6526, C6528, C6529, C6532
C2	CORE_1.87	Serial Interface and OMAP Power Schematics		E6501, C6524, C6501, C6504, C6506, C6508, C6510, C6512, C6514, C6515, C6517
E2	CORE_1.4	Serial Interface and OMAP Power Schematics		R6501, R6502, C6502, C6505, C6507, C6509, C6511, C6513, C6516, C6518, C6519, C6520, C6522, C6523, C6526, C6528, C6529, C6532
E5	N/C	Serial Interface and OMAP Power Schematics	–	
E21	CORE_1.87	Serial Interface and OMAP Power Schematics		E6501, C6524, C6501, C6504, C6506, C6508, C6510, C6512, C6514, C6515, C6517
F20	GROUND	Serial Interface and OMAP Power Schematics	–	
G1	GROUND	Serial Interface and OMAP Power Schematics	–	
G21	SSI_OMAP_CLK	Serial Interface and OMAP Power Schematics		R6604
H2	CORE_1.87	Serial Interface and OMAP Power Schematics		E6501, C6524, C6501, C6504, C6506, C6508, C6510, C6512, C6514, C6515, C6517
H15	SSI_OMAP_FSYNC	Serial Interface and OMAP Power Schematics		R6605

Table 7-11. U6302 OMAP Pinouts (Continued)

U6302 Pin No.	Description	Comment	Probe Points	
			Not Shielded	Under Shield
H18	SSI_BLACK_RX	Serial Interface and OMAP Power Schematics		R6606
H20	SSI_BLACK_TX	Serial Interface and OMAP Power Schematics	N/A	
J1	OMAP_VDD4	Serial Interface and OMAP Power Schematics	R6501, C6525	
J21	CORE_1.4	Serial Interface and OMAP Power Schematics		R6501, R6502, C6502, C6505, C6507, C6509, C6511, C6513, C6516, C6518, C6519, C6520, C6522, C6523, C6526, C6528, C6529, C6532
K2	GROUND	Serial Interface and OMAP Power Schematics	–	
K20	GROUND	Serial Interface and OMAP Power Schematics	–	
L1	OMAP_VPP	Serial Interface and OMAP Power Schematics		TEST POINT
L3	ABACUS_CS	Serial Interface and OMAP Power Schematics	J1001_Pin 22, to RF board P101_Pin 22 (DIG_CTRL_SPI_ABACUS_PE)	
L14	F2_TIMER_PARAMP	Serial Interface and OMAP Power Schematics	N/A	
L21	CORE_1.87	Serial Interface and OMAP Power Schematics		E6501, C6524, C6501, C6504, C6506, C6508, C6510, C6512, C6514, C6515, C6517
M2	CORE_1.4	Serial Interface and OMAP Power Schematics		R6501, R6502, C6502, C6505, C6507, C6509, C6511, C6513, C6516, C6518, C6519, C6520, C6522, C6523, C6526, C6528, C6529, C6532

Table 7-11. U6302 OMAP Pinouts (Continued)

U6302 Pin No.	Description	Comment	Probe Points	
			Not Shielded	Under Shield
M8	AUDIO_PA_SHTDN	Serial Interface and OMAP Power Schematics	R4003, J4001_Pin 37	
M18	UART2_GPS_TX	Serial Interface and OMAP Power Schematics	J4001_Pin 4	
N1	GROUND	Serial Interface and OMAP Power Schematics	–	
N14	SPI_DSP_CLK0	Serial Interface and OMAP Power Schematics	R6419, R1003, J1001_Pin 33	
N15	MAKO_CS	Serial Interface and OMAP Power Schematics	N/A	
N20	One Wire GPIO 11	Serial Interface and OMAP Power Schematics		R6609
P3	TOP_DIS_CS	Serial Interface and OMAP Power Schematics	J2101_Pin 43	
P9	USB0 1	Serial Interface and OMAP Power Schematics	N/A	
P13	CPLD_32KHZ	Serial Interface and OMAP Power Schematics	R6115	
P14	SPI_DSP_MOSI 1	Serial Interface and OMAP Power Schematics	J1001_Pin 31	
P15	MAKO_INT	Serial Interface and OMAP Power Schematics	N/A	
R1	CORE_1.87	Serial Interface and OMAP Power Schematics		E6501, C6524, C6501, C6504, C6506, C6508, C6510, C6512, C6514, C6515, C6517
R8	USB0 2	Serial Interface and OMAP Power Schematics	N/A	
R13	USB1 2	Serial Interface and OMAP Power Schematics	N/A	
R14	RS232 3	Serial Interface and OMAP Power Schematics	N/A	

Table 7-11. U6302 OMAP Pinouts (Continued)

U6302 Pin No.	Description	Comment	Probe Points	
			Not Shielded	Under Shield
R20	CORE_1.4	Serial Interface and OMAP Power Schematics		R6501, R6502, C6502, C6505, C6507, C6509, C6511, C6513, C6516, C6518, C6519, C6520, C6522, C6523, C6526, C6528, C6529, C6532
R21	GROUND	Serial Interface and OMAP Power Schematics	–	
T19	DAC_CS	Serial Interface and OMAP Power Schematics	J1001_Pin 14	R1018
T20	PTT	Serial Interface and OMAP Power Schematics	J4001_Pin18, R4005	
U2	GROUND	Serial Interface and OMAP Power Schematics	–	
U18	SPI_ARM_MISO	Serial Interface and OMAP Power Schematics	N/A	
U19	SPI_ARM_CLK	Serial Interface and OMAP Power Schematics	R2328, J2101_Pin 35	R6607
U21	CORE_1.87	Serial Interface and OMAP Power Schematics		E6501, C6524, C6501, C6504, C6506, C6508, C6510, C6512, C6514, C6515, C6517
V6	TRIDENT_CS	Serial Interface and OMAP Power Schematics	J1001_Pin 27	
V12	CORE_1.87	Serial Interface and OMAP Power Schematics		E6501, C6524, C6501, C6504, C6506, C6508, C6510, C6512, C6514, C6515, C6517
V13	OMAP_OSK32k_IN_PU	Serial Interface and OMAP Power Schematics		R6601
V14	RS232 4	Serial Interface and OMAP Power Schematics	N/A	
V15	LOCK	Serial Interface and OMAP Power Schematics	J1001_Pin 25, R1011, R1012	
W3	12MHZ_OMAP_OUT	Serial Interface and OMAP Power Schematics		C6602

Table 7-11. U6302 OMAP Pinouts (Continued)

U6302 Pin No.	Description	Comment	Probe Points	
			Not Shielded	Under Shield
W4	USB0_0	Serial Interface and OMAP Power Schematics	N/A	
W5	MPU_IO_12	Serial Interface and OMAP Power Schematics		TP_MPU_IO_12
W9	CPLD_DSP_SPI_CS	Serial Interface and OMAP Power Schematics	N/A	
W12	CORE_1.4	Serial Interface and OMAP Power Schematics		R6501, R6502, C6502, C6505, C6507, C6509, C6511, C6513, C6516, C6518, C6519, C6520, C6522, C6523, C6526, C6528, C6529, C6532
W14	USB1_1	Serial Interface and OMAP Power Schematics	N/A	
W16	USB1_0	Serial Interface and OMAP Power Schematics	N/A	
W20	GROUND	Serial Interface and OMAP Power Schematics	–	
W21	SPI_ARM_MOSI	Serial Interface and OMAP Power Schematics	R2326, J2301_Pin 30, R2327, J2101_Pin 39	R6603
Y1	CODEC_CS	Serial Interface and OMAP Power Schematics		R6413, R6418
Y2	12MHZ_OMAP_IN	Serial Interface and OMAP Power Schematics	N/A	
Y3	GROUND	Serial Interface and OMAP Power Schematics	–	
Y7	CORE_1.87	Serial Interface and OMAP Power Schematics		E6501, C6524, C6501, C6504, C6506, C6508, C6510, C6512, C6514, C6515, C6517

Table 7-11. U6302 OMAP Pinouts (Continued)

U6302 Pin No.	Description	Comment	Probe Points	
			Not Shielded	Under Shield
Y9	CORE_1.4	Serial Interface and OMAP Power Schematics		R6501, R6502, C6502, C6505, C6507, C6509, C6511, C6513, C6516, C6518, C6519, C6520, C6522, C6523, C6526, C6528, C6529, C6532
Y12	OPTION_INTX	Serial Interface and OMAP Power Schematics		R6608
Y13	GROUND	Serial Interface and OMAP Power Schematics	–	
Y14	RS232 0	Serial Interface and OMAP Power Schematics	N/A	
Y16	CORE_1.87	Serial Interface and OMAP Power Schematics		E6501, C6524, C6501, C6504, C6506, C6508, C6510, C6512, C6514, C6515, C6517
Y20	CORE_1.4	Serial Interface and OMAP Power Schematics		R6501, R6502, C6502, C6505, C6507, C6509, C6511, C6513, C6516, C6518, C6519, C6520, C6522, C6523, C6526, C6528, C6529, C6532
Y21	OMAP_VDDA	Serial Interface and OMAP Power Schematics		R6502, C6527
AA1	GROUND	Serial Interface and OMAP Power Schematics	–	
AA2	CORE_1.87	Serial Interface and OMAP Power Schematics		E6501, C6524, C6501, C6504, C6506, C6508, C6510, C6512, C6514, C6515, C6517

Table 7-11. U6302 OMAP Pinouts (Continued)

U6302 Pin No.	Description	Comment	Probe Points	
			Not Shielded	Under Shield
AA3	CORE_1.4	Serial Interface and OMAP Power Schematics		R6501, R6502, C6502, C6505, C6507, C6509, C6511, C6513, C6516, C6518, C6519, C6520, C6522, C6523, C6526, C6528, C6529, C6532
AA7	GROUND	Serial Interface and OMAP Power Schematics	–	
AA11	CORE_1.87	Serial Interface and OMAP Power Schematics		E6501, C6524, C6501, C6504, C6506, C6508, C6510, C6512, C6514, C6515, C6517
AA13	OSC_32K_OUT	Serial Interface and OMAP Power Schematics	GROUND	
AA15	RS232 2	Serial Interface and OMAP Power Schematics		R6616
AA21	GROUND	Serial Interface and OMAP Power Schematics	–	
A17	LCD_PIX 13	OMAP User Interface Schematic	J2301_Pin 44	
A20	LCD_PIX 5	OMAP User Interface Schematic	J2301_Pin 53	
B15	LCD_AC	OMAP User Interface Schematic	N/A	
B17	LCD_PIX 11	OMAP User Interface Schematic	J2301_Pin 46	
B18	LCD_CTL 1 (LCD_VSYNC)	OMAP User Interface Schematic	J2301_Pin 35	
B19	LCD_PIX 6	OMAP User Interface Schematic	J2301_Pin 52	
B21	LCD_PIX 1	OMAP User Interface Schematic	J2301_Pin 57	
C15	LCD_CTL 0	OMAP User Interface Schematic	J2301_Pin 38	
C16	LCD_PIX 14	OMAP User Interface Schematic	J2301_Pin 43	

Table 7-11. U6302 OMAP Pinouts (Continued)

U6302 Pin No.	Description	Comment	Probe Points	
			Not Shielded	Under Shield
C17	LCD_PIX 10	OMAP User Interface Schematic	J2301_Pin 48	
C18	LCD_PIX 7	OMAP User Interface Schematic	J2301_Pin 51	
C19	LCD_PIX 2	OMAP User Interface Schematic	J2301_Pin 56	
C20	LCD_CTL 2	OMAP User Interface Schematic	J2301_Pin 37	
C21	KP_COL 4	OMAP User Interface Schematic	J2301_Pin 11	
D15	LCD_PIX 15	OMAP User Interface Schematic	J2301_Pin 42	
D16	LCD_PIX 9	OMAP User Interface Schematic	J2301_Pin 49	
D17	LCD_PIX 8	OMAP User Interface Schematic	J2301_Pin 50	
D18	LCD_PIX 0	OMAP User Interface Schematic	J2301_Pin 58	
D19	KP_COL 2	OMAP User Interface Schematic	J2301_Pin 7	
D20	KP_COL 1	OMAP User Interface Schematic	J2301_Pin 5	
E18	KP_COL 3	OMAP User Interface Schematic	J2301_Pin 9	
E19	KP_ROW 4	OMAP User Interface Schematic	R2333, J2301_Pin 10	
E20	KP_ROW 3	OMAP User Interface Schematic	R2332, J2301_Pin 8	
F18	KP_COL 0	OMAP User Interface Schematic	J2301_Pin 3	
F19	KP_ROW 1	OMAP User Interface Schematic	J2301, Pin 4_R2330	
G13	LCD_PIX 12	OMAP User Interface Schematic	J2301_Pin 45	
G14	LCD_PIX 3	OMAP User Interface Schematic	J2301_Pin 55	
G18	KP_ROW 0	OMAP User Interface Schematic	J2301_Pin 2, R2329	

Table 7-11. U6302 OMAP Pinouts (Continued)

U6302 Pin No.	Description	Comment	Probe Points	
			Not Shielded	Under Shield
G19	EEPROM_CS	OMAP User Interface Schematic	J1001_Pin 2	
G20	N/C	OMAP User Interface Schematic	–	
H13	LCD_PIX 4	OMAP User Interface Schematic	J2301_Pin 54	
H14	KP_ROW 2	OMAP User Interface Schematic	J2301_Pin 6, R2331	
H19	CAM_CTRL 1	OMAP User Interface Schematic	J3001_Pin 7	
J14	CAM_D 5	OMAP User Interface Schematic	J3001_Pin 14	
J15	CAM_CTRL 2	OMAP User Interface Schematic	J3001_Pin 5	
J18	CAM_D 7	OMAP User Interface Schematic	J3001_Pin 18	
J19	CAM_D 6	OMAP User Interface Schematic	J3001_Pin 16	
J20	OMAP_MPU_BOOT	OMAP User Interface Schematic	F_MPU_BOOT Test Point	R6212, R6213
K14	CAM_D 1	OMAP User Interface Schematic	J3001_Pin 6	
K15	CAM_D 2	OMAP User Interface Schematic	J3001_Pin 8	
K18	CAM_D 4	OMAP User Interface Schematic	J3001_Pin 12	
K19	CAM_D 3	OMAP User Interface Schematic	J3001_Pin 10	
L15	CAM_CTRL 4	OMAP User Interface Schematic	J3001_Pin 11	
L18	CAM_CTRL 3	OMAP User Interface Schematic	J3001_Pin 9	
L19	CAM_D 0	OMAP User Interface Schematic	J3001_Pin 4	
M19	CAM_CTRL 0	OMAP User Interface Schematic	J3001_Pin 15	
M20	F2_TIMER_DMCS	OMAP User Interface Schematic	N/A	

Table 7-11. U6302 OMAP Pinouts (Continued)

U6302 Pin No.	Description	Comment	Probe Points	
			Not Shielded	Under Shield
N18	CLK_16.8MHZ_SQR	OMAP User Interface Schematic		R6217, R6218
N19	LCD_PIX 17	OMAP User Interface Schematic	R2324, C2321, J2301_Pin 59	R6201, R6202
N21	LCD_PIX 16	OMAP User Interface Schematic	J2301_Pin 47	
P10	ABACUS_SSI 2 (RX_DA)	OMAP User Interface Schematic	J1001_Pin 13	
P12	RESET_MODE	OMAP User Interface Schematic		R6215
R9	UART_GPS_RX	OMAP User Interface Schematic	J4001_Pin 10	
R12	POR	OMAP User Interface Schematic		R6203
R19	GPIO_1	OMAP User Interface Schematic		R6205
T18	I2C 0	OMAP User Interface Schematic		R6208
U20	OMAP_MPU_RST	OMAP User Interface Schematic		R6203
V7	ABACUS_SSI 0	OMAP User Interface Schematic	J1001_Pin 15	
V16	NEMU0	OMAP User Interface Schematic		R2104
V17	OMAP_TMS (JTAG 3)	OMAP User Interface Schematic	R2106, C2102, R2117	
V18	CONF	OMAP User Interface Schematic		R6214
V19	COLOR_DIS_CS	OMAP User Interface Schematic	J2301_Pin 34	R6216
V20	I2C 1	OMAP User Interface Schematic		R6209
W6	ABACUS_SSI 1 (RX_FSYNC)	OMAP User Interface Schematic	J1001_Pin 11	
W7	TRIDENT_SSI (TX_FSYNC)	OMAP User Interface Schematic	J1001_Pin 17	
W13	MORTABLE	OMAP User Interface Schematic		R6204

Table 7-11. U6302 OMAP Pinouts (Continued)

U6302 Pin No.	Description	Comment	Probe Points	
			Not Shielded	Under Shield
W17	NEMU1	OMAP User Interface Schematic		R2105
W18	TCK (JTAG 5)	OMAP User Interface Schematic	R2109	
Y4	SYS_CLK_IN	OMAP User Interface Schematic		R6210
Y5	OPT_BD_GPIO_5	OMAP User Interface Schematic	J3001_Pin 52	
Y6	TRIDENT_SSI 0 (TX_CLK)	OMAP User Interface Schematic	J1001_Pin 19	
Y15	CAM_CNTRL 5	OMAP User Interface Schematic	J3001_Pin 3	
Y17	RTCK (JTAG 6)	OMAP User Interface Schematic	J2101_Pin 34	
Y18	NTRST (JTAG 4)	OMAP User Interface Schematic	R2107, F_NTRST Test Point, J2101_Pin 38	
Y19	TDI (JTAG 2)	OMAP User Interface Schematic	R2113	
AA5	TRIDENT_SSI 2 (TX_DA_CONN)	OMAP User Interface Schematic	J1001_Pin 18	
AA9	USB_INT_X	OMAP User Interface Schematic	N/A	
AA17	SPI_DSP_MISO	OMAP User Interface Schematic	J1001_Pin 29	
AA19	OMAP_TDO (JTAG 8)	OMAP User Interface Schematic	J2101_Pin 32	
AA20	RST_OUT	OMAP User Interface Schematic	J2301_Pin 22	R2217
Note: N/A = Non Accessible				

Table 7-12. U6304 FLASH Pinouts

U6304 Pin No.	Description	Probe Points	
		Not Shielded	Under Shield
A1	N/C	–	
A2	N/C	–	
A7	N/C	–	
A8	N/C	–	
B1	FLASH_ADDR 5	N/A	
B2	FLASH_ADDR 19	N/A	
B3	FLASH_ADDR 20	N/A	
B4	GROUND	N/A	
B5	VCC_FLASH		R6315, C6308, C6309, C6310, C6311
B6	VCC_FLASH		R6315, C6308, C6309, C6310, C6311
B7	FLASH_ADDR 22	N/A	
B8	FLASH_ADDR 12	N/A	
C1	FLASH_ADDR 6	N/A	
C2	N/C	–	
C3	FLASH_ADDR 24	N/A	
C4	GROUND	N/A	
C5	N/C	–	
C6	FLASH_RDY 6		R6310
C7	FLASH_ADDR 23	N/A	
C8	FLASH_ADDR 13	N/A	
D1	FLASH_ADDR 4	N/A	
D2	FLASH_ADDR 18	N/A	
D3	FLASH_ADDR 25	N/A	
D4	VPP_FLASH		R6315, C6308, C6309, C6310, C6311
D5	N/C	–	
D6	N/C	–	
D7	FLASH_ADDR 10	N/A	
D8	FLASH_ADDR 14	N/A	
E1	FLASH_ADDR 3	N/A	
E2	FLASH_ADDR 8	N/A	

Table 7-12. U6304 FLASH Pinouts (Continued)

U6304 Pin No.	Description	Probe Points	
		Not Shielded	Under Shield
E3	N/C	–	
E4	FLASH_RDY	N/A	
E5	FLASH_RDY		R6314
E6	FLASH_ADDR 21	N/A	
E7	FLASH_ADDR 11	N/A	
E8	FLASH_ADDR 16	N/A	
F1	FLASH_ADDR 2	N/A	
F2	FLASH_ADDR 7	N/A	
F3	N/C	–	
F4	FLASH_RDY 3	N/A	
F5	FLASH_RDY 4		R6313
F6	FLASH_ADDR 9	N/A	
F7	FLASH_ADDR 15	N/A	
F8	FLASH_ADDR 17	N/A	
G1	FLASH_ADDR 1	N/A	
G2	FLASH_DATA 8	N/A	
G3	FLASH_DATA 2	N/A	
G4	FLASH_DATA 10	N/A	
G5	FLASH_DATA 5	N/A	
G6	FLASH_DATA 13	N/A	
G7	WAIT_FLASH		R6316
G8	N/C	–	
H1	N/C	–	
H2	FLASH_DATA 0	N/A	
H3	FLASH_DATA 1	N/A	
H4	FLASH_DATA 3	N/A	
H5	FLASH_DATA 12	N/A	
H6	FLASH_DATA 14	N/A	
H7	FLASH_DATA 7	N/A	
H8	FLASH_RDY 2		R6312

Table 7-12. U6304 FLASH Pinouts (Continued)

U6304 Pin No.	Description	Probe Points	
		Not Shielded	Under Shield
J1	N/C	–	
J2	FLASH_RDY 2		R6312
J3	FLASH_DATA 9	N/A	
J4	FLASH_DATA 11	N/A	
J5	FLASH_DATA 4	N/A	
J6	FLASH_DATA 6	N/A	
J7	FLASH_DATA 15	N/A	
J8	VCC_FLASH		R6315, C6308, C6309, C6310, C6311
K1	FLASH_RDY 1		R6311
K2	N/C	–	
K3	N/C	–	
K4	N/C	–	
K5	N/C	–	
K6	VCC_FLASH		R6315, C6308, C6309, C6310, C6311
K7	VCC_FLASH		R6315, C6308, C6309, C6310, C6311
K8	N/C	–	
L1	GROUND	N/A	
L2	GROUND	N/A	
L3	VCC_FLASH		R6315, C6308, C6309, C6310, C6311
L4	VCC_FLASH		R6315, C6308, C6309, C6310, C6311
L5	GROUND	N/A	
L6	GROUND	N/A	
L7	GROUND	N/A	
L8	GROUND	N/A	
M1	N/C	–	
M2	N/C	–	
M7	N/C	–	
M8	N/C	–	
Note: N/A = Non Accessible			

Table 7-13. U6301 DDR Pinouts

U6301 Pin No.	Description	Probe Points	
		Not Shielded	Under Shield
A1	GROUND	N/A	
A2	DDR_DATA 15	N/A	
A3	GROUND	N/A	
A7	VCC_DDR		R6308, C6301, C6302, C6303, C6304, C6305, C6306
A8	DDR_DATA 0		TP6305
A9	VCC_DDR		R6308, C6301, C6302, C6303, C6304, C6305, C6306
B1	VCC_DDR		R6308, C6301, C6302, C6303, C6304, C6305, C6306
B2	DDR_DATA 13	N/A	
B3	DDR_DATA 14	N/A	
B7	DDR_DATA 1	N/A	
B8	DDR_DATA 2	N/A	
B9	GROUND	N/A	
C1	GROUND	N/A	
C2	DDR_DATA 11	N/A	
C3	DDR_DATA 12	N/A	
C7	DDR_DATA 3	N/A	
C8	DDR_DATA 4	N/A	
C9	VCC_DDR		R6308, C6301, C6302, C6303, C6304, C6305, C6306
D1	VCC_DDR		R6308, C6301, C6302, C6303, C6304, C6305, C6306
D2	DDR_DATA 9	N/A	
D3	DDR_DATA 10	N/A	
D7	DDR_DATA 5	N/A	
D8	DDR_DATA 6	N/A	
D9	GROUND	N/A	
E1	GROUND	N/A	
E2	DDR_DQSH		TP6304
E3	DDR_DATA 8		TP6306

Table 7-13. U6301 DDR Pinouts (Continued)

U6301 Pin No.	Description	Probe Points	
		Not Shielded	Under Shield
E7	DDR_DATA 7	N/A	
E8	DDR_DQSL		TP6303
E9	VCC_DDR		R6308, C6301, C6302, C6303, C6304, C6305, C6306
F1	GROUND	N/A	
F2	DDR_UDM	N/A	
F3	N/C	–	
F7	DDR_ADDR 13	N/A	
F8	DDR_LDM	N/A	
F9	VCC_DDR		R6308, C6301, C6302, C6303, C6304, C6305, C6306
G1	DDR_CLKE		R6301
G2	DDR_CLK_1		TP6307
G3	DDR_CLKX_1		TP6308
G7	DDR_WE	N/A	
G8	DDR_CAS	N/A	
G9	DDR_RAS	N/A	
H1	DDR_ADDR 9	N/A	
H2	DDR_ADDR 11	N/A	
H3	DDR_ADDR 12	N/A	
H7	DDR_CS	N/A	
H8	DDR_BANK 0	N/A	
H9	DDR_BANK 1	N/A	
J1	DDR_ADDR 6	N/A	
J2	DDR_ADDR 7	N/A	
J3	DDR_ADDR 8	N/A	
J7	DDR_ADDR 10	N/A	
J8	DDR_ADDR 0	N/A	
J9	DDR_ADDR 1	N/A	
K1	GROUND	N/A	
K2	DDR_ADDR 4	N/A	

Table 7-13. U6301 DDR Pinouts (Continued)

U6301 Pin No.	Description	Probe Points	
		Not Shielded	Under Shield
K3	DDR_ADDR 5	N/A	
K7	DDR_ADDR 2	N/A	
K8	DDR_ADDR 3	N/A	
K9	VCC_DDR		R6308, C6301, C6302, C6303, C6304, C6305, C6306
Note: N/A = Non Accessible			

Table 7-14. U6101 CPLD Pinouts

U6101 Pin No.	Description	Probe Points	
		Not Shielded	Under Shield
A1	FLASH_CPLD_D4	N/A	
A2	VCC_INT		R6107, C6105, C6106, C6107
A3	POR		R6203
A4	RST_OUT	J2301_Pin 22	
A5	ENC_CLK_4MHZ		R6113, C6102
A6	ENC_WAKEUP		TP5001
A7	VCC_IO2		R6108, C6112, C6113, C6114
A8	RF_BRD_RST3	J1001_Pin 7	
A9	GROUND	N/A	
A10	SSI_MACE_CODEC_F SYNC	N/A	
A11	SSI_MACE_CODEC_C LK		R5003
A12	KEYFAIL_CTRL	N/A	
A13	SPI_ARM_CLK	R2328	R6607
A14	VCC_IO2		R6108, C6112, C6113, C6114
B1	FLASH_CPLD_D3	N/A	
B2	FLASH_CPLD_D2	N/A	
B3	GROUND	–	
B4	FLASH_CPLD_OE	N/A	
B5	FLASH_CPLD_CS		R6118
B6	ENC_RESET	N/A	
B7	WAIT_SW_EN	N/A	
B8	MPC	J4001_Pin 27	
B9	CPLD_TDO	F_TDO_CPLD Test Point, J2101_Pin40	
B10	SSI_RED_RX_MACE	N/A	
B11	SST_BLACK_TX_MACE	N/A	
B12	F2_TIMER_OUT		TP6301
B13	N/C	–	
B14	GROUND	N/A	

Table 7-14. U6101 CPLD Pinouts (Continued)

U6101 Pin No.	Description	Probe Points	
		Not Shielded	Under Shield
C1	F2_DMCS	J101_Pin 9	
C2	FLASH_CPLD_D1	N/A	
C3	FLASH_CPLD_D0	N/A	
C4	VCC_IO2		R6108, C6112, C6113, C6114
C5	F2_PARAMP_MON	N/A	
C6	USB_CRNT_LMT	N/A	
C7	MMC2_CS	J4001_Pin 25	
C8	MACE_SEC_CLR_MODE	N/A	
C9	N/C	N/A	
C10	F2_TIMER_PARAMP	N/A	
C11	OPT_GPIO1	N/A	
C12	LCD_AC	N/C	
C13	OPT_GPIO2	N/C	
C14	BRD_ID_2		R6111
D1	N/C	–	
D2	F2_PARAMP	R1016	
D3	VCC_AUX		R6105, C6115
D12	GPS_RESET	J4001_Pin 14	
D13	BRD_ID_4		R6109
D14	BRD_ID_1		R6112
E1	CPLD_32KHZ		R6115, C6101
E2	CPLD_32KHZ_GPS	J4001_Pin 6	R6114, C6103
E3	RX_FSYNC	R1004, C1012, J1001_Pin 11	
E12	LCD_VSYNC	R2303, C2306, J2301_Pin 35	
E13	BRD_ID_3		R6110
E14	GROUND	N/A	
F1	SSI_BLACK_RX		R5002, R6606
F2	N/C	–	
F3	F2_TIMER_DMCS	N/A	

Table 7-14. U6101 CPLD Pinouts (Continued)

U6101 Pin No.	Description	Probe Points	
		Not Shielded	Under Shield
F12	N/C	–	
F13	B_ID 5	N/A	
F14	B_ID_0		R6116
G1	SSI_BLACK_TX	N/A	
G2	SPI_DSP_MISO	R1002, J1001_Pin 29	
G3	CPLD_DSP_SPI_CS	N/A	
G12	N/C	N/A	
G13	B_ID 6	N/A	
G14	VCC_IO1		R6101, C6108, C6109, C6110, C6111
H1	SSI_OMAP_FSYNC		R6605
H2	SPI_DSP_MOSI	J1001_Pin 31	R6602
H3	N/C	–	
H12	B_ID 8	N/A	
H13	B_ID 7	N/A	
H14	GROUND	N/A	
J1	SSI_OMAP_CLK		R6604
J2	OPT_BD_GPIO_4	J3001_Pin 60	
J3	VCC_IO1		R6101, C6108, C6109, C6110, C6111
J12	LCD_OE	R2306, C2303, J2301_Pin 39	
J13	FREQ_SEL_1	R2128, R2123, C2107, J2101_Pin 16	
J14	GROUND	N/A	
K1	SPI_DSP_CLK_CPLD	R6419	R6412
K2	GROUND	N/A	
K3	SSI_MAKO_CLK	N/C	
K12	VCC_INT		R6107, C6105, C6106, C6107
K13	FREQ_SEL_0	R2127, R2123, C2105, J2101_Pin 18	
K14	FREQ_SEL_2	R2129, R2124, C2109, J2101_Pin 14	

Table 7-14. U6101 CPLD Pinouts (Continued)

U6101 Pin No.	Description	Probe Points	
		Not Shielded	Under Shield
L1	FLASH_CPLD_ADD4	N/C	
L2	FLASH_CPLD_ADV		R6314
L3	FLASH_CPLD_ADD3	N/C	
L12	N/C	–	
L13	N/C	–	
L14	N/C	–	
M1	FLASH_CPLD_ADD2	N/A	
M2	N/C	–	
M3	FLASH_CPLD_ADD5	N/C	
M4	SSI_RED_RX_CPLD	R3015, Test Point F_SSIR_RXCPLD, J3001_Pin 47	
M5	SIDE_1	R4006, J4001_Pin 20	
M6	SEC_CLEAR	R2135, R2126, J2101_Pin 20	
M7	OPT_GPIO0	N/A	
M8	OPT_BD_GPIO_3	J2001_Pin 22	
M9	CPLD_TDI	R2114	
M10	CPLD_TCK	R2110	
M11	N/C	–	
M12	CID_RST	R2108, J2101_Pin 47	
M13	OPT_BD_GPIO_0	J3001_Pin 43	
M14	CAM_FLASH_MODE	J3001_Pin 20	
N1	GROUND	N/A	
N2	CLK_24MHZ		R6572
N3	FLASH_CPLD_ADD1	N/A	
N4	SSI_RED_TX_CPLD	N/A	
N5	SIDE_2	R4007, J4001_Pin 22	
N6	TG1	R2134, R2131, J2101_Pin 13	
N7	EMERG_PB_X		R6507, R6509

Table 7-14. U6101 CPLD Pinouts (Continued)

U6101 Pin No.	Description	Probe Points	
		Not Shielded	Under Shield
N8	TGO	R2133, R2132, C2106, C2108, J2101_Pin 11	
N9	GROUND	N/A	
N10	CPLD_TMS	C2101, R2115	
N11	FREQ_SEL_3	R2130, C2111, J2101_Pin 12	
N12	GROUND	N/A	
N13	CAM_FLASH_GPIO	N/A	
N14	CAM_PWRDN	N/A	
P1	VCC_INT		R6107, C6105, C6106, C6107
P2	SSI_OPT_CLK	J3001_Pin 57	R3006
P3	SSI_OPT_FSYNC	J3001_Pin 55	R3005
P4	GROUND	N/A	
P5	SSI_MAKO_CLK	N/A	
P6	SSI_MAKO_FSYNC	N/A	
P7	VCC_IO1		R6101, C6108, C6109, C6110, C6111
P8	OPT_BD_GPIO_2	J3001_Pin 45	
P9	KEYLD_MISSING		R6104
P10	SPI_ARM_CLK_INV	R2325, J2301_Pin 31	
P11	MON		R6101
P12	TOP_DIS_D_C	J2101_Pin 21	
P13	VCC_IO1		R6101, C6108, C6109, C6110, C6111
P14	TP6101		TP6101 TEST POINT
Note: N/A = Non Accessible			

Table 7-15. U6501 MAKO Pinouts

U6501 Pin No.	Description	Comment	Probe Points	
			Not Shielded	Under Shield
A1	N/C	MAKO Power Schematic	–	
A2	V_SAVE	MAKO Power Schematic		R6579
A12	MAKO_TCXO_24MHZ_OUT	MAKO Power Schematic		C6536
A13	MAKO_TCXO_24MHZ_IN	MAKO Power Schematic		C6592, C6535
A14	N/C	MAKO Power Schematic	–	
B1	MAKO_XTAL_32K_OUT	MAKO Power Schematic		C6541
B2	GROUND	MAKO Power Schematic	N/A	
B3	GROUND	MAKO Power Schematic	N/A	
B4	N/C	MAKO Power Schematic	–	
B13	VBUS_SUPPLY	MAKO Power Schematic		R6521, C6554, R6529, R6530, R6541
B14	N/C	MAKO Power Schematic	–	
C1	MAKO_XTAL_32K_IN	MAKO Power Schematic		C6537
C2	V_SAVE	MAKO Power Schematic		R6420, C6538
C3	GROUND	MAKO Power Schematic	N/A	
C5	POR	MAKO Power Schematic		R6203
C13	VBUS2_CMD	MAKO Power Schematic	N/A	
C14	VBUS1_CMD	MAKO Power Schematic		C6544
D1	MAKO_BAT_7.5V	MAKO Power Schematic	F_UNSW_B+ Test Point, J3001 Pins_28, 30, 32, 34, and 36	R6506, R6504, C6534
D2	MAKO_BAT_3V6	MAKO Power Schematic		R6539
D3	MAKO_BAT_3V6	MAKO Power Schematic		R6539
D4	GROUND	MAKO Power Schematic	N/A	
D5	MAKO_INT	MAKO Power Schematic	N/A	
D9	GROUND	MAKO Power Schematic	N/A	
D12	VBUS2	MAKO Power Schematic		R6583, R6584
D13	SW5_VDD_1	MAKO Power Schematic	C6550, R6528, C6552	
D14	GROUND	MAKO Power Schematic	N/A	
E2	FET_ENX	MAKO Power Schematic		R6504, C6534

Table 7-15. U6501 MAKO Pinouts (Continued)

U6501 Pin No.	Description	Comment	Probe Points	
			Not Shielded	Under Shield
E4	MECH_SW	MAKO Power Schematic	Test Point F_MECH_SW, J2101_Pin 9	
E12	VBUS1_SUPPLY	MAKO Power Schematic		R6512, R6521
E13	SW5_CUMCOMP	MAKO Power Schematic		R6519
E14	SW5_VSENSE	MAKO Power Schematic		R6518, C6552, R6533, L6503
F3	VRTC	MAKO Power Schematic	R6508, C6542	R5017, C5005
F4	EMERG_PB	MAKO Power Schematic		R6509
F5	N/C	MAKO Power Schematic	–	
F11	VBUS2_ISENSE	MAKO Power Schematic		R6531, R6532, C6557
F12	SW5_VOUT	MAKO Power Schematic		R6511, R6517
F13	SW5_VDDHV	MAKO Power Schematic		R6518, C6552, R6533, L6503
F14	SW1_PHASE	MAKO Power Schematic		R6514
G4	MAKO_HV_BG	MAKO Power Schematic		C6540
G5	GROUND	MAKO Power Schematic	N/A	
G11	SW5_PHASE	MAKO Power Schematic		R6519
G12	SW_FILT_B+	MAKO Power Schematic	J3001_Pins_27, 29, 31	R6516, C6546
G13	SW1_VDD_1	MAKO Power Schematic		R6520, C6545
G14	SW1_SUMCOMP_DL	MAKO Power Schematic		R6514
H5	GROUND	MAKO Power Schematic	N/A	
H10	VBUS1	MAKO Power Schematic	J3001_Pin 32	C6551
H11	SW_FILT_B+	MAKO Power Schematic	J3001_Pins_27, 29, 31	R6516, C6546
H12	SW1_VOUT	MAKO Power Schematic	J4001_Pin 2, J1001_Pin 37	R6515, C6548, L6502, C6558, C6539, C6560, C6561, R6542, R6543, C6564, R6546, C6568
H13	N/C	MAKO Power Schematic	–	
H14	GROUND	MAKO Power Schematic	N/A	
J4	GROUND	MAKO Power Schematic	N/A	

Table 7-15. U6501 MAKO Pinouts (Continued)

U6501 Pin No.	Description	Comment	Probe Points	
			Not Shielded	Under Shield
J10	SW1_VOUT	MAKO Power Schematic	J4001_Pin2, J1001_Pin37	R6515, C6548, L6502, C6558, C6539, C6560, C6551, R6542, R6543, C6564
J11	N/C	MAKO Power Schematic	–	
J12	SW2_VCC	MAKO Power Schematic	J4001_Pin 2, J1001_Pin 37	R6515, C6548, L6502, C6558, C6539, C6560, C6561, R6542, R6543, C6564, R6546, C6568
J13	VCC_2.23	MAKO Power Schematic		R6513
J14	N/C	MAKO Power Schematic	–	
K3	SW_B+	MAKO Power Schematic	J4001_Pins 51, 53, 55, 57	L6503, C6565, R6423, L6501, C6556, R6505
K4	V8_5.0A	MAKO Power Schematic	R6621, R4010	R6565, C6576, C6104, C6403,
K9	GROUND	MAKO Power Schematic	N/A	
K14	SW2_VCCS	MAKO Power Schematic	J4001_Pin 2, J1001_Pin 37	R6515, C6548, L6502, C6558, C6539, C6560, C6561, R6542, R6543, C6564, R6546, C6568
L1	V9_3.0A	MAKO Power Schematic		C6574, R6567, C6413, C6414
L4	GROUND	MAKO Power Schematic	N/A	
L9	GROUND	MAKO Power Schematic	N/A	
L14	GROUND	MAKO Power Schematic	N/A	
M1	N/C	MAKO Power Schematic	–	
M5	N/C	MAKO Power Schematic	–	
M6	V10_3.3	MAKO Power Schematic		C6575, R6566, R4012, R4013
M7	GROUND	MAKO Power Schematic	N/A	
N4	V2_1.875	MAKO Power Schematic	J1001_Pin 6, J4001, Pin 28	C6581, R6560, R6411, R6410, C4001
N5	V4_2.775D	MAKO Power Schematic	J2101_Pin 3, J2301_Pin 24, R2301, C2323, J3001_Pin 23, C4006,	R2102, R6620, R6552, C6579
P1	N/C	MAKO Power Schematic	–	

Table 7-15. U6501 MAKO Pinouts (Continued)

U6501 Pin No.	Description	Comment	Probe Points	
			Not Shielded	Under Shield
P3	V6_2.775	MAKO Power Schematic	J1001_Pin 8, J2101_Pin 5, C6415, C6430	C6578, R6563, R6577, C6401, C6405, C6409, C6412
P4	V3_1.55	MAKO Power Schematic		R6561, R6582, C6580, R6552, R6554, R6555
P5	GROUND	MAKO Power Schematic	N/A	
P6	V7_2.8	MAKO Power Schematic	R6564, C6577	R4002, R4003, R4004, J4001_Pin 26
P14	N/C	MAKO Power Schematic	–	
A3	GROUND	MAKO Audio Schematic	N/A	
A4	VREF	MAKO Audio Schematic		C6423, R6424
A11	F2_PARAMP	MAKO Audio Schematic	R1016, J1001_PIN 10	
B11	MAKO_AD_TRIG	MAKO Audio Schematic		MAKO_AD_TRIG Test Point
C4	GROUND	MAKO Audio Schematic	N/A	
E1	PA_BPLUS	MAKO Audio Schematic	J4001_Pins 51, 53, 55, 57	L6503, C6565, R6423, L6501, C6556, R6505
E3	UNSW_B+	MAKO Audio Schematic	J1001_Pin 28, 30, 32, 34, 36 J3001Pin 30, F_UNSW_B+ Test Point	R6504, C6534
E8	GROUND	MAKO Audio Schematic	N/A	
F1	TWTR_SPKR_POS 1	MAKO Audio Schematic	P6401_Pin 1	
F2	TWTR_SPKR_NEG 2	MAKO Audio Schematic	P6401_Pin 2	
G1	EXT_SPKR_NEG	MAKO Audio Schematic	J4001_Pin 58	
G2	PREAMP_POS	MAKO Audio Schematic		C6418
G3	PREAMP_NEG	MAKO Audio Schematic		C6419
H1	EXT_SPKR_POS	MAKO Audio Schematic	J4001_Pin 60	
H2	VC_OUT_M	MAKO Audio Schematic	N/A	
H3	VC_OUT_P	MAKO Audio Schematic	N/A	
H4	VCM2	MAKO Audio Schematic		C6422
J1	N/C	MAKO Audio Schematic	–	
J2	N/C	MAKO Audio Schematic	–	

Table 7-15. U6501 MAKO Pinouts (Continued)

U6501 Pin No.	Description	Comment	Probe Points	
			Not Shielded	Under Shield
J3	VCM1	MAKO Audio Schematic		C6421
K1	MAKO_INT_MIC_P	MAKO Audio Schematic		MAKO_INT_MICM Test Point
K2	MAKO_INT_MIC_M	MAKO Audio Schematic		MAKO_INT_MICP Test Point
K11	VOL	MAKO Audio Schematic	C2110, J2101_Pin 7	
K12	TEMP_RFCONN	MAKO Audio Schematic	N/A	
K13	ATOD_8	MAKO Audio Schematic	TP_ATOD_8 Test Point	
L2	MIC_BIAS	MAKO Audio Schematic		R6401
L3	TUNE	MAKO Audio Schematic		R6428, C6427
L10	VMES	MAKO Audio Schematic		C6424
L11	TEMP_OMAP	MAKO Audio Schematic	N/A	
L12	BATT_STATUS	MAKO Audio Schematic	R6621, J1001_PIN 26	
L13	TEMP_SW5	MAKO Audio Schematic	N/A	
M2	N/C	MAKO Audio Schematic	N/A	
M12	ADC_VREF	MAKO Audio Schematic		C6425
M13	TEMP_SW1.875	MAKO Audio Schematic	N/A	
M14	TEMP_MAKO	MAKO Audio Schematic	N/A	
N1	ISET	MAKO Audio Schematic		R6425, R6426, R6427
N14	VCC_2.775	MAKO Audio Schematic	J1001_Pin 8, J2101_Pin 5, C6415, C6430	C6578, R6563, R6577, C6401, C6405, C6409, C6412
A5	N/C	MAKO Serial Interface	–	
A6	VCC__1.875	MAKO Serial Interface	J1001_Pin 6, J4001, Pin 28	C6581, R6560, R6411, R6410, C4001
A7	SSI_RED_RX_CODEC	MAKO Serial Interface	R3003, R3015, Test Point F_SSIR_RX_CDC, J3001_Pin 49, Test Point F_SSIR_RXCPLD, J3001_Pin 47	
A8	RS232_USB_X	MAKO Serial Interface		R6618

Table 7-15. U6501 MAKO Pinouts (Continued)

U6501 Pin No.	Description	Comment	Probe Points	
			Not Shielded	Under Shield
A9	USB0 0	MAKO Serial Interface	N/A	
A10	RS232 1	MAKO Serial Interface	N/A	
B5	N/C	MAKO Serial Interface	–	
B6	SPI_ARM_MOSI	MAKO Serial Interface	R2327, R2327, J2101_Pin 39	R6603
B7	SSI_RED_TX_CODEC	MAKO Serial Interface	R3004, R3016, J3001_Pin 53, FSSIR_TX_CDC Test Point, F_SSI_TX_MAC E Test Point, J3001_Pin 51	R5001
B8	USB1 0	MAKO Serial Interface	N/A	
B9	USB0 1	MAKO Serial Interface	N/A	
B10	N/C	MAKO Serial Interface	–	
B12	OPTION_INTX	MAKO Serial Interface		R6608
C6	SPI_ARM_MISO	MAKO Serial Interface	N/A	
C7	BOOT_NORM_X	MAKO Serial Interface		R6617
C8	USB1 1	MAKO Serial Interface	N/A	
C9	USB0 2	MAKO Serial Interface	N/A	
C10	USB_INT_X	MAKO Serial Interface	N/A	
C11	N/C	MAKO Serial Interface	N/C	
C12	N/C	MAKO Serial Interface	–	
D6	MAKO_CS	MAKO Serial Interface	N/A	
D7	SSI_MAKO_FSYNC	MAKO Serial Interface	N/A	
D8	USB1 2	MAKO Serial Interface	N/A	
D10	N/C	MAKO Serial Interface	–	
D11	RS232 3	MAKO Serial Interface	N/A	
E6	SPI_ARM_CLK	MAKO Serial Interface		R2328, R6607
E7	SSI_MAKO_CLK	MAKO Serial Interface	N/A	
E9	RS232 0	MAKO Serial Interface	N/A	
E11	N/C	MAKO Serial Interface	–	
F10	OPT_GPIO0	MAKO Serial Interface	N/A	

Table 7-15. U6501 MAKO Pinouts (Continued)

U6501 Pin No.	Description	Comment	Probe Points	
			Not Shielded	Under Shield
G10	RS232 2	MAKO Serial Interface		R6616
J5	N/C	MAKO Serial Interface	–	
K6	N/C	MAKO Serial Interface	–	
K7	N/C	MAKO Serial Interface	–	
K8	MAKO_OPTB_SEL1_GCAI	MAKO Serial Interface	N/A	
L5	APCO	MAKO Serial Interface		R6619
L6	USB_CONNECT	MAKO Serial Interface	N/A	
L7	ONE_WIRE_UP	MAKO Serial Interface		R6609
L8	BATT_STATUS	MAKO Serial Interface	R6621, J1001_Pin 26	
M3	OPT_GPIO2	MAKO Serial Interface	N/A	
M4	N/C	MAKO Serial Interface	–	
M8	ONE_WIRE_OPT	MAKO Serial Interface	J3001_Pin 39	R6620
M9	N/C	MAKO Serial Interface	–	
M10	N/C	MAKO Serial Interface	–	
M11	RTS_FILLSEN_5V	MAKO Serial Interface		R4012
N2	OPT_GPIO1	MAKO Serial Interface	N/A	
N3	N/C	MAKO Serial Interface	–	
N6	USB1_MAKO 0	MAKO Serial Interface	J2001_Pin 35	R6622
N7	MAKO_USB2_DP	MAKO Serial Interface	J4001_Pin 38	R6624
N8	N/C	MAKO Serial Interface	–	
N9	N/C	MAKO Serial Interface	–	
N10	N/C	MAKO Serial Interface	–	
N11	MAKO_OPTB_SEL3_GCAI	MAKO Serial Interface		R4014
N12	RXDIN_5V	MAKO Serial Interface		R4013
N13	N/C	MAKO Serial Interface	–	
P2	N/C	MAKO Serial Interface	–	
P7	USB1_MAKO 1	MAKO Serial Interface	J2001_Pin 33	R6623
P8	MAKO_USB2_DM	MAKO Serial Interface	J4001_Pin 36	R6625
P9	ONE_WIRE_GCAI	MAKO Serial Interface	R4011	
P10	N/C	MAKO Serial Interface	–	

Table 7-15. U6501 MAKO Pinouts (Continued)

U6501 Pin No.	Description	Comment	Probe Points	
			Not Shielded	Under Shield
P11	MAKO_OPTB_SEL0_GCAI	MAKO Serial Interface	J4001_Pin 50	
P12	MAKO_OPTB_SEL2_GCAI	MAKO Serial Interface	N/A	
P13	N/C	MAKO Serial Interface	–	
Note: N/A = Non Accessible				

Table 7-16. U5003 MACE Pinouts

U5003 Pin No.	Description	Probe Points	
		Not Shielded	Under Shield
A1	VDD_IOM		R5008, C5011, C5014, C5017, C5020, C5023
A2	N/C	–	
A3	N/C	–	
A4	N/C	–	
A5	VDDC		R5009, C5010, C5013, C5016, C5019, C5022, C5025, C5027
A6	N/C	–	
A7	N/C	–	
A8	WAKEUP		Test Point TP5001
A9	GROUND	N/A	
A10	VDDC		R5009, C5010, C5013, C5016, C5019, C5022, C5025, C5027
A11	N/C	–	
A12	N/C	–	
A13	SSI_MACE_CODEC_FSYNC		R5010
A14	MACE_TDO	J2101Pin 48	
B1	N/C	–	
B2	N/C	–	
B3	GROUND	N/A	
B4	N/C	–	
B5	GROUND	N/A	
B6	N/C	–	
B7	N/C	–	
B8	VDD_IOP		R5007, C5009, C5012, C5015, C5018, C5021, C5024, C5026
B9	ENC_RST	N/A	
B10	KEYFAIL		R5023
B11	ENC_JTAGSELO		ENC_JTAGSELO Test Point
B12	GROUND	N/A	
B13	SSI_MACE_CODEC_CLK		R5003

Table 7-16. U5003 MACE Pinouts (Continued)

U5003 Pin No.	Description	Probe Points	
		Not Shielded	Under Shield
B14	ENC_UART_RX		ENC_UART_RX Test Point
C1	N/C	–	
C2	N/C	–	
C3	N/C	–	
C4	N/C	–	
C5	N/C	–	
C6	VDD_IOM		R5008, C5011, C5014, C5017, C5020, C5023
C7	GROUND	N/A	
C8	MACE_TMS	R2112, C2103	
C9	MACE_RTCK	J2101_Pin 50	
C10	GROUND	N/A	
C11	GROUND	N/A	
C12	VDD_IOP		R5007, C5009, C5012, C5015, C5018, C5021, C5024, C5026
C13	ENC_UART_TX		ENC_UART_TX Test Point
C14	N/C	–	
D1	N/C	–	
D2	N/C	–	
D3	GROUND	N/A	
D4	N/C	–	
D5	N/C	–	
D6	TP_MACE_NRD		TP_MACE_NRD Test Point
D7	N/C	–	
D8	TCK	R2109	
D9	N/C	–	
D10	TDI	R2113	
D11	VCC_SW_1.875		R5006
D12	SSI_BLACK_TX_MACE	N/A	
D13	N/C	–	
D14	N/C	–	

Table 7-16. U5003 MACE Pinouts (Continued)

U5003 Pin No.	Description	Probe Points	
		Not Shielded	Under Shield
E1	N/C	–	
E2	N/C	–	
E3	N/C	–	
E4	VDDC		R5009, C5010, C5013, C5016, C5019, C5022, C5025, C5027
E11	VDD_IOP		R5007, C5009, C5012, C5015, C5018, C5021, C5024, C5026
E12	NTRST	R2107, NTRST Test Point, J2101_Pin 38	
E13	GROUND	N/A	
E14	N/C	–	
F1	N/C	–	
F2	N/C	–	
F3	VDD_IOM		R5008, C5011, C5014, C5017, C5020, C5023
F4	GROUND	N/A	
F11	N/C	–	
F12	N/C	–	
F13	N/C	–	
F14	VDDC		R5009, C5010, C5013, C5016, C5019, C5022, C5025, C5027
G1	N/C	–	
G2	N/C	–	
G3	N/C	–	
G4	N/C	–	
G11	GROUND	N/A	
G12	VDD_IOP		R5007, C5009, C5012, C5015, C5018, C5021, C5024, C5026
G13	N/C	–	
G14	N/C	–	
H1	N/C	–	

Table 7-16. U5003 MACE Pinouts (Continued)

U5003 Pin No.	Description	Probe Points	
		Not Shielded	Under Shield
H2	N/C	–	
H3	N/C	–	
H4	VDD_IOM		R5008, C5011, C5014, C5017, C5020, C5023
H11	N/C	–	
H12	N/C	–	
H13	N/C	–	
H14	N/C	–	
J1	GROUND	N/A	
J2	N/C	–	
J3	N/C	–	
J4	N/C	–	
J11	GROUND	N/A	
J12	N/C	–	
J13	N/C	–	
J14	N/C	–	
K1	N/C	–	
K2	N/C	–	
K3	VDD_IOM		R5008, C5011, C5014, C5017, C5020, C5023
K4	N/C	–	
K11	N/C	–	
K12	VDD_IOP		R5007, C5009, C5012, C5015, C5018, C5021, C5024, C5026
K13	N/C	–	
K14	N/C	–	
L1	N/C	–	
L2	N/C	–	
L3	TP_MACE_NCS1		TP_MACE_NCS1 Test Point
L4	CONT_1.875	N/A	
L5	SSI_BLACK_TX_MACE	N/C	

Table 7-16. U5003 MACE Pinouts (Continued)

U5003 Pin No.	Description	Probe Points	
		Not Shielded	Under Shield
L6	SSI_BLACK_RX		R5002, R6606
L7	GROUND	N/A	
L8	N/C	–	
L9	VDDC		R5009, C5010, C5013, C5016, C5019, C5022, C5025, C5027
L10	SSI_MACE_CODEC_CLK		R5003
L11	SSI_RED_RX_MACE	N/A	
L12	N/C	–	
L13	N/C	–	
L14	N/C	–	
M1	TP_MACE_NCS2		TP_MACE_NCS2 Test Point
M2	KEY_ZEROIZE		R5005
M3	GROUND	N/A	
M4	TX_INH	J1001_Pin 12, J3001_Pin 56	R5014, R5025
M5	GROUND	N/A	
M6	N/C	–	
M7	SSI_MACE_CODEC_FSYNC		R5010
M8	VDD_IOP		R5007, C5009, C5012, C5015, C5018, C5021, C5024, C5026
M9	MACE_SEC_CLR_MODE	N/A	
M10	PA22_IR2		R5013
M11	GROUND	N/A	
M12	VDD_IOP		R5007, C5009, C5012, C5015, C5018, C5021, C5024, C5026
M13	N/C	–	
M14	N/C	–	
N1	TP_MACE_NCS0		TP_MACE_NCS0 Test Point
N2	GROUND	N/A	
N3	GROUND	N/A	
N4	VDDC		R5009, C5010, C5013, C5016, C5019, C5022, C5025, C5027

Table 7-16. U5003 MACE Pinouts (Continued)

U5003 Pin No.	Description	Probe Points	
		Not Shielded	Under Shield
N5	GROUND	N/A	
N6	VDDC		R5009, C5010, C5013, C5016, C5019, C5022, C5025, C5027
N7	N/C	–	
N8	N/C	–	
N9	GROUND	N/A	
N10	SSI_MACE_CODEC_FSYNC		R5010
N11	N/C	–	
N12	N/C	–	
N13	GROUND	N/A	
N14	SSI_MACE_DIN		R5001
P1	GROUND	N/A	
P2	GROUND	N/A	
P3	MACE_PLLRC		C5001, R5004
P4	GROUND	N/A	
P5	ENC_CLK_4MHZ		C6102, R6113
P6	N/C	–	
P7	GROUND	N/A	
P8	SSI_MACE_CODEC_CLK		R5003
P9	N/C	–	
P10	BLOCK_SSI_RED		R5012
P11	BLOCK_SSI_RED		R5011, R5015
P12	SSI_MACE_CODEC_FSYNC	N/A	R5010
P13	SSI_MACE_CODEC_CLK		R5003
P14	ENC_JTAGSEL1		ENC_JTAGSEL1 Test Point
<p>Note: N/A = Non Accessible</p>			

Table 7-17. U6405 CODEC Pinouts

U6405 Pin No.	Description	Probe Points	
		Not Shielded	Under Shield
A1	AUDIO_MIC_POS	Test Point F_AUDIO_MICP, J4001_Pin 41	C6408, R6407
A2	N/C	–	
A3	N/C	–	
A4	N/C	–	
A5	LINE1LM		C6406
A6	EXT_MIC_POS_A	J4001_Pin 54	C6404, C6428, R6404,
A7	N/C	–	
A8	SPI_DSP_MISO	R1002, J1001_Pin 29	
A9	SPI_DSP_MOSI	J1001_Pin 31	R6602
B1	VCC_3.0A		C6413, C6414, R6567, C6574
B2	N/C	–	
B3	DATA_MIC_POS	M6401	C6407, R6403
B4	N/C	–	
B5	N/C	–	
B6	N/C	–	
B7	N/C	–	
B8	CODEC_CS		R6413, R6418
B9	SPI_DSP_CLK_CPLD	R1013, R6419, R1003, J1001_Pin 33	R6412
C1	VCC_3.0A		C6413, C6414, R6567, C6574
C2	GROUND	N/2	
No C3 Pin			
C4	N/C	–	
C5	N/C	–	
C6	N/C	–	
C7	N/C	–	
C8	SCL	J3001_PIN 19	
C9	VCC_CODEC (VCC_1.875)	J4001_Pin 28, J1001_Pin 6, R1010, C4001	R6411, C6410, C6411, R6560, C6581, R6410
D1	N/C	–	

Table 7-17. U6405 CODEC Pinouts (Continued)

U6405 Pin No.	Description	Probe Points	
		Not Shielded	Under Shield
D2	GROUND	N/A	
D3	N/C	–	
D4	N/C	–	
D5	N/C	–	
D6	N/C	–	
D7	N/C	–	
D8	SDA	J3001_Pin 21	R6209
D9	GROUND	N/A	
E1	N/C	–	
E2	GROUND	N/A	
E3	N/C	–	
E4	N/C	–	
E5	N/C	–	
E6	N/C	–	
E7	N/C	–	
E8	VCC_1.875	J4001_Pin 28, J1001_Pin 6, R1010, C4001	R6411, C6410, C6411, R6560, C6581, R6410
E9	SSI_RED_RX_CODEC	F_SSIR_RX_CDC Test Point, R3003, R3015, J3001_Pin 49, F_SSIR_RX_CPLD Test Point, J3001_Pin 47	
F1	N/C	–	
F2	GROUND	N/A	
F3	N/C	–	
F4	N/C	–	
F5	N/C	–	
F6	N/C	–	
F7	N/C	–	
F8	SSI_RED_TX_CODEC	F_SSIR_TX_CDC Test Point, R3016, R3004, J3001_Pin 53, F_SSIR_TXMACE Test Point, J3001_Pin 51	R5001
F9	SS1_MACE_CODEC_FSYNC	N/A	

Table 7-17. U6405 CODEC Pinouts (Continued)

U6405 Pin No.	Description	Probe Points	
		Not Shielded	Under Shield
G1	N/C	–	
G2	GROUND	N/A	
G3	N/C	–	
G4	N/C	–	
G5	N/C	–	
G6	N/C	–	
G7	N/C	–	
G8	SSI_MACE_CODEC_CLK	N/A	
G9	SSI_MACE_CODEC_CLK	N/A	
H1	VCC_3.0A		C6413, C6414, R6567, C6574
H2	GROUND	N/A	
H3	N/C	–	
H4	N/C	–	
H5	N/C	–	
H6	N/C	–	
H7	N/C	–	
H8	RST_OUT	J2301_Pin 22	R2217
C9	VCC_CODEC (VCC_1.875)	J4001_Pin 28, J1001_Pin 6, R1010, C4001	R6411, C6410, C6411, R6560, C6581, R6410
J1	VCC_3.0A		C6413, C6414, R6567, C6574
J2	N/C	–	
J3	N/C	–	
J4	PRE_CLASS_D_POS	J4001_Pin 47	R6414, C6417
J5	PRE_CLASS_D_NEG	J4001_Pin 45	R6415, C6417
J6	PREAMP_POS		R6416, C6416, C6418
J7	PREAMP_NEG		R6417, C6416, C6419
J8	N/C	–	
J9	CODEC_GPIO1		CODEC_GPIO1 Test Point
Note: N/A = Non Accessible			

Table 7-18. U2206 GPS Pinouts

U2206 Pin No.	Description	Probe Points	
		Not Shielded	Under Shield
A1	N/C	–	
A2	N/C	–	
A3	N/C	–	
A4	GROUND	N/A	
A5	RFA_INP	N/A	
A6	GROUND	N/A	
A7	GROUND	N/A	
B1	GROUND	N/A	
B2	GROUND	N/A	
B3	FLTRD_GPS_1.875_RF		L2264, C2274, C2279, C2282
B4	FLTRD_GPS_1.875_RF		L2264, C2274, C2279, C2282
B5	RFA_INM	N/A	
B6	VTUNE		R2247, C2246
B7	FLTRD_GPS_1.875_RF		L2264, C2274, C2279, C2282
C1	NRESET	R2202, TP2202 Test Point	R2255
C2	GROUND	N/A	
C3	GROUND	N/A	
C4	FLTRD_GPS_1.875_RF		L2264, C2274, C2279, C2282
C5	FLTRD_GPS_1.875_RF		L2264, C2274, C2279, C2282
C6	GROUND	N/A	
C7	GROUND	N/A	
D1	32KHZ	R2216, TP2201 Test Point	
D2	FLTRD_GPS_1.875_RF		L2264, C2274, C2279, C2282
D3	GROUND	–	
D4	REF_CLK_IN (26 MHZ)		C2238
D5	GROUND	N/A	
D6	GROUND	N/A	

Table 7-18. U2206 GPS Pinouts (Continued)

U2206 Pin No.	Description	Probe Points	
		Not Shielded	Under Shield
D7	GROUND	N/A	
E1	FLTRD_GPS_1.2V_CO RE		R2294, C2273, C2278, C2203
E2	FLTRD_GPS_1.2V_CO RE		R2294, C2273, C2278, C2203
E3	N/C	–	
E4	N/C	–	
E5	FLTRD_GPS_1.875_RF		L2264, C2274, C2279, C2282
E6	FLTRD_GPS_1.8V_IO		R2295, C2272, C2277, C2281
E7	GROUND	N/A	
F1	N/C	–	
F2	FLTRD_GPS_1.8V_IO		R2201
F3	N/C	–	
F4	GROUND	N/A	
F5	GROUND	N/A	
F6	FLTRD_GPS_1.2V_CO RE	R2294	R2294, C2273, C2278, C2203
F7	FLTRD_GPS_1.2V_CO RE	R2294	R2294, C2273, C2278, C2203
G1	GROUND	N/A	
G2	GROUND	N/A	
G3	GROUND	N/A	
G4	GROUND	N/A	
G5	GROUND	N/A	
G6	GROUND	N/A	
G7	FLTRD_GPS_1.2V_CO RE		R2294, C2273, C2278, C2203
H1	GPS_LNA_PON		R2204
H2	N/C	–	
H3	N/C	–	
H4	GROUND	N/A	

Table 7-18. U2206 GPS Pinouts (Continued)

U2206 Pin No.	Description	Probe Points	
		Not Shielded	Under Shield
H5	GROUND	N/A	
H6	GROUND	N/A	
H7	N/C	–	
J1	GROUND	N/A	
J2	GROUND	N/A	
J3	N/C	–	
J4	GROUND	N/A	
J5	N/C	–	
J6	MISO_TXD0	R2291, TP2205 Test point	
J7	GROUND	N/A	
K1	FLTRD_GPS_1.2V_CORE (R2294)		R2294, C2273, C2278, C2203
K2	N/C	–	
K3	N/C	–	
K4	FLTRD_GPS_1.8V_IO		R2295, C2272, C2277, C2281
K5	GROUND	N/A	
K6	MOSI_RXD0	R2292, TP2205 Test Point	
K7	VDD_CORE4	C2286, C2287	
L1	GROUND	N/A	
L2	GROUND	N/A	
L3	GROUND	N/A	
L4	FLTRD_GPS_1.2V_CORE		R2294, C2273, C2278, C2203
L5	GROUND	N/A	
L6	GROUND	N/A	
L7	GROUND	N/A	
Note: N/A = Non Accessible			

Notes

Chapter 8 Schematics, Boards Overlays, and Parts Lists

This chapter contains the schematics, board overlays, and parts lists for the APX 7000/APX 7000XE radio. Use them in conjunction with the theory of operation and the troubleshooting procedures, charts, and waveforms to isolate a problem to the component level.

When schematics are viewed online or as a PDF file, colors can be seen that denote power and signal paths. The red color denotes voltage paths, blue denotes the receive path, and green denotes the transmit path.

The following tables list the pages where the schematics and board overlays for the APX 7000/APX 7000XE radio are found.

8.1 List of Transceiver Schematics and Board Overlays

Table 8-1. Transceiver Schematics and Board Overlays

Transceiver Board Schematic/Board Layout	Page No.
VHF / 700–800 MHz: MNUR4001B	
MNUR4001B/D Transceiver (RF) Board Overall Circuit Schematic	8-4
MNUR4001B/D VHF Harmonic Filter Circuit	8-5
MNUR4001B/D 700–800 MHz Harmonic Filter Circuit	8-5
MNUR4001B GPS Circuit	8-6
MNUR4001B/D Miscellaneous Connector Circuit	8-8
MNUR4001B/D VHF Receiver Front End Circuit	8-9
MNUR4001B/D 700–800 MHz Receiver Front End Circuit	8-10
MNUR4001B Receiver Back End Circuit	8-11
MNUR4001B/D DC Power Circuit	8-13
MNUR4001B/D Transmitter and Automatic Level Control Circuits	8-14
MNUR4001B/D Frequency Generation Unit (Synthesizer) Circuit – 1 of 2	8-15
MNUR4001B/D Frequency Generation Unit (VCO) Circuit – 2 of 2	8-16
MNUR4001B/D Mixer and IF Filter Circuits	8-17
MNUR4001B/D VHF Power Amplifier Circuit	8-18
MNUR4001B/D 700–800 MHz Power Amplifier Circuit	8-19
MNUR4001B/D Transceiver (RF) Board Layout – Side 1	8-20

Table 8-1. Transceiver Schematics and Board Overlays (Continued)

Transceiver Board Schematic/Board Layout	Page No.
MNUR4001B/D Transceiver (RF) Board Layout – Side 2	8-21
UHF1 / 700–800: MNUS4000A/C/E	
MNUS4000A/C/E Transceiver (RF) Board Overall Circuit Schematic	8-43
MNUS4000A/C/E UHF1 Harmonic Filter Circuit	8-44
MNUS4000A/C/E 700–800 MHz Harmonic Filter Circuit	8-44
MNUS4000A/C/E GPS Circuit	8-45
MNUS4000A/C/E Miscellaneous Connector Circuit	8-46
MNUS4000A/C/E UHF1 Receiver Front End Circuit	8-47
MNUS4000A/C/E 700–800 MHz Receiver Front End Circuit	8-48
MNUS4000A/C/E Receiver Back End Circuit	8-49
MNUS4000A/C/E DC Power Circuit	8-51
MNUS4000A/C/E Transmitter and Automatic Level Control Circuits	8-52
MNUS4000A/C/E Frequency Generation Unit (Synthesizer) Circuit – 1 of 2	8-53
MNUS4000A/C/E Frequency Generation Unit (VCO) Circuit – 2 of 2	8-54
MNUS4000A/C/E Mixer and IF Filter Circuits	8-55
MNUS4000A/E UHF1 Power Amplifier Circuit	8-56
MNUS4000C UHF1 Power Amplifier Circuit	8-57
MNUS4000A/C/E/F 700–800 MHz Power Amplifier Circuit	8-58
MNUS4000A/E Transceiver (RF) Board Layout – Side 1	8-59
MNUS4000A/E Transceiver (RF) Board Layout – Side 2	8-60
MNUS4000C/F Transceiver (RF) Board Layout – Side 1	8-61
MNUS4000C/F Transceiver (RF) Board Layout – Side 2	8-62
UHF1 / VHF: MNUT4000A/C/E	
MNUT4000A/C/E Transceiver (RF) Board Overall Circuit Schematic	8-105
MNUT4000A/C/E UHF1 Harmonic Filter Circuit	8-106
MNUT4000A/C/E VHF MHz Harmonic Filter Circuit	8-106

Table 8-1. Transceiver Schematics and Board Overlays (Continued)

Transceiver Board Schematic/Board Layout	Page No.
MNUT4000A/C/E GPS Circuit	8-107
MNUT4000A/C/E Miscellaneous Connector Circuit	8-108
MNUT4000A/C/E UHF1 Receiver Front End Circuit	8-109
MNUT4000A/C/E VHF Receiver Front End Circuit	8-110
MNUT4000A/C Receiver Back End Circuit	8-111
MNUT4000A/C/E DC Power Circuit	8-113
MNUT4000A/C/E Transmitter and Automatic Level Control Circuits	8-114
MNUT4000A/C/E Frequency Generation Unit (Synthesizer) Circuit – 1 of 2	8-115
MNUT4000A/C/E Frequency Generation Unit (VCO) Circuit – 2 of 2	8-116
MNUT4000A/C/E Mixer and IF Filter Circuits	8-117
MNUT4000A UHF1 Power Amplifier Circuit	8-118
MNUT4000C UHF1 Power Amplifier Circuit	8-119
MNUT4000A/C/E VHF Power Amplifier Circuit	8-120
MNUT4000A Transceiver (RF) Board Layout – Side 1	8-121
MNUT4000A Transceiver (RF) Board Layout – Side 2	8-122
MNUT4000C/E Transceiver (RF) Board Layout – Side 1	8-123
MNUT4000C/E Transceiver (RF) Board Layout – Side 2	8-124
UHF1 / UHF2: MNUE7367A	
MNUE7367A Transceiver (RF) Board Overall Circuit Schematic	8-157
MNUE7367A UHF1 Harmonic Filter Circuit	8-158
MNUE7367A UHF2 MHz Harmonic Filter Circuit	8-158
MNUE7367A GPS Circuit	8-159
MNUE7367A Miscellaneous Connector Circuit	8-160
MNUE7367A UHF1 Receiver Front End Circuit	8-161
MNUE7367A UHF2 Receiver Front End Circuit	8-162
MNUE7367A Receiver Back End Circuit	8-163
MNUE7367A DC Power Circuit	8-165

Table 8-1. Transceiver Schematics and Board Overlays (Continued)

Transceiver Board Schematic/Board Layout	Page No.
MNUE7367A Transmitter and Automatic Level Control Circuits	8-166
MNUE7367A Frequency Generation Unit (Synthesizer) Circuit – 1 of 2	8-167
MNUE7367A Frequency Generation Unit (VCO) Circuit – 2 of 2	8-168
MNUE7367A Mixer and IF Filter Circuits	8-169
MNUE7367A UHF1 Power Amplifier Circuit	8-170
MNUE7367A UHF2 Power Amplifier Circuit	8-171
MNUE7367A Transceiver (RF) Board Layout – Side 1	8-172
MNUE7367A Transceiver (RF) Board Layout – Side 2	8-173
UHF2 / 7/800: MNUS4002A	
MNUS4002A/E Transceiver (RF) Board Overall Circuit Schematic	8-183
MNUS4002A/E UHF2 Harmonic Filter Circuit	8-184
MNUS4002A/E 700–800 MHz Harmonic Filter Circuit	8-184
MNUS4002A/E GPS Circuit	8-185
MNUS4002A/E Miscellaneous Connector Circuit	8-186
MNUS4002A/E UHF2 Receiver Front End Circuit	8-187
MNUS4002A/E 700–800 MHz Receiver Front End Circuit	8-188
MNUS4002A Receiver Back End Circuit	8-189
MNUS4002A/E DC Power Circuit	8-191
MNUS4002A/E Transmitter and Automatic Level Control Circuits	8-192
MNUS4002A/E Frequency Generation Unit (Synthesizer) Circuit – 1 of 2	8-193
MNUS4002A/E Frequency Generation Unit (VCO) Circuit – 2 of 2	8-194
MNUS4002A/E Mixer and IF Filter Circuits	8-195
MNUS4002A/E UHF2 Power Amplifier Circuit	8-196
MNUS4002A/E 700–800 MHz Power Amplifier Circuit	8-197
MNUS4002A/E Transceiver (RF) Board Layout – Side 1	8-198
MNUS4002A/E Transceiver (RF) Board Layout – Side 2	8-199
UHF2/ VHF: MNUT4004A/C/E	
MNUT4004A/C/E Transceiver (RF) Board Overall Circuit Schematic	8-223
MNUT4004A/C/E UHF2 Harmonic Filter Circuit	8-224
MNUT4004A/C/E VHF MHz Harmonic Filter Circuit	8-224

Table 8-1. Transceiver Schematics and Board Overlays (Continued)

Transceiver Board Schematic/Board Layout	Page No.
MNUT4004A/C/EGPS Circuit	8-225
MNUT4004A/C/E Miscellaneous Connector Circuit	8-226
MNUT4004A/C/E UHF2 Receiver Front End Circuit	8-227
MNUT4004A/C/E VHF Receiver Front End Circuit	8-228
MNUT4004A/C Receiver Back End Circuit	8-229
MNUT4004A/C/E DC Power Circuit	8-231
MNUT4004A/C/E Frequency Generation Unit (Synthesizer) Circuit – 1 of 2	8-233
MNUT4004A/C/E Frequency Generation Unit (VCO) Circuit – 2 of 2	8-234
MNUT4004A/C/E Mixer and IF Filter Circuits	8-235
MNUT4004A UHF2 Power Amplifier Circuit	8-236
MNUT4004C/E UHF2 Power Amplifier Circuit	8-237
MNUT4004A/C/E VHF Power Amplifier Circuit	8-238
MNUT4004A/C/E Transceiver (RF) Board Layout – Side 1	8-239
MNUT4004A/C/E T Transceiver (RF) Board Layout – Side 2	8-240

8.2 List of VOCON Schematics and Board Overlays

Table 8-2. List of VOCON Schematics and Board Overlays

VOCON Board Schematic/Board Layout	Page No.
MNCN6200A/MNCN6201A/MNCN6202A/MNCN6203A VOCON Board Overall Schematic	8-271
MNCN6200A/MNCN6201A/MNCN6202A/MNCN6203A VOCON CID, Controls and JTAG Schematics	8-272
MNCN6200A/MNCN6201A VOCON LCD and Connector Circuits	8-273
MNCN6202A/MNCN6203A VOCON LCD and Connector Circuits	8-274
MNCN6200A VOCON Lighting Controller Circuits	8-275
MNCN6201A VOCON Lighting Controller Circuits	8-276
MNCN6202A VOCON Lighting Controller Circuits	8-277
MNCN6203A VOCON Lighting Controller Circuits	8-278
MNCN6200A/MNCN6201A VOCON Memory Interface Circuits	8-279

Table 8-2. List of VOCON Schematics and Board Overlays (Continued)

VOCON Board Schematic/Board Layout	Page No.
MNCN6202A/MNCN6203A VOCON Memory Interface Circuits	8-280
MNCN6200A/MNCN6201A/MNCN6202A/MNCN6203A VOCON Expansion Interface Circuits	8-281
MNCN6200A/MNCN6201A VOCON Codec and Mako Audio Circuits	8-282
MNCN6202A/MNCN6203A VOCON Codec and Mako Audio Circuits	8-283
MNCN6200A/MNCN6201A/MNCN6202A/MNCN6203A VOCON Secure Circuits	8-284
MNCN6200A/MNCN6201A/MNCN6202A/MNCN6203A Option Board Interface Circuit	8-285
MNCN6200A/MNCN6201A/MNCN6202A/MNCN6203A VOCON CPLD Circuit	8-286
MNCN6200A/MNCN6201A/MNCN6202A/MNCN6203A VOCON OMAP User Interface Circuits	8-287
MNCN6200A/MNCN6201A/MNCN6202A/MNCN6203A VOCON Power Circuits – 1 of 2	8-288
MNCN6200A/MNCN6201A VOCON Power Circuits – 2 of 2	8-289
MNCN6202A/MNCN6203A VOCON Power Circuits – 2 of 2	8-290
MNCN6200A/MNCN6201A/MNCN6202A/MNCN6203A VOCON Serial Interface Circuit	8-291
MNCN6200A/MNCN6201A/MNCN6202A/MNCN6203A VOCON RF Interface Circuit	8-292
MNCN6200A/MNCN6201A VOCON Board Layout – Side 1	8-293
MNCN6200A/MNCN6201A VOCON Board Layout – Side 2	8-294
MNCN6202A/ MNCN6203A VOCON Board Layout – Side 1	8-295
MNCN6202A/ MNCN6203A VOCON Board Layout – Side 2	8-296

Figure 8-1. List of Expansion Board Schematics and Overlays

Table 8-3. List of Expansion Board Schematics and Board Overlays

Expansion Board Schematic	Page No.
MHLN6977A Expansion Board Overall Circuit Schematic	8-331
MHLN6977B Expansion Board Overall Circuit Schematic	8-332
MHLN7035A Expansion Board Overall Circuit Schematic	8-333
MHLN6977A/B GPS Circuit	8-334

Table 8-3. List of Expansion Board Schematics and Board Overlays

Expansion Board Schematic	Page No.
MHLN7053A GPS Circuit	8-335
MHLN6977A/B and MHLN7035A Audio Controller Circuit	8-336
MHLN6977A Expansion Board Layout – Side 1	8-337
MHLN6977A Expansion Board Layout – Side 2	8-338
MHLN6977B Expansion Board Layout – Side 1	8-339
MHLN7035A Expansion Board Layout – Side 1	8-340
MHLN6977B/MHLN7035A Expansion Board Layout – Side 2	8-341
MHLN6977A Expansion Board Parts List	8-342
MHLN6977B Expansion Board Parts List	8-345
MHLN7035A Expansion Board Parts List	8-348

8.3 Transceiver (RF) Boards: VHF/700–800

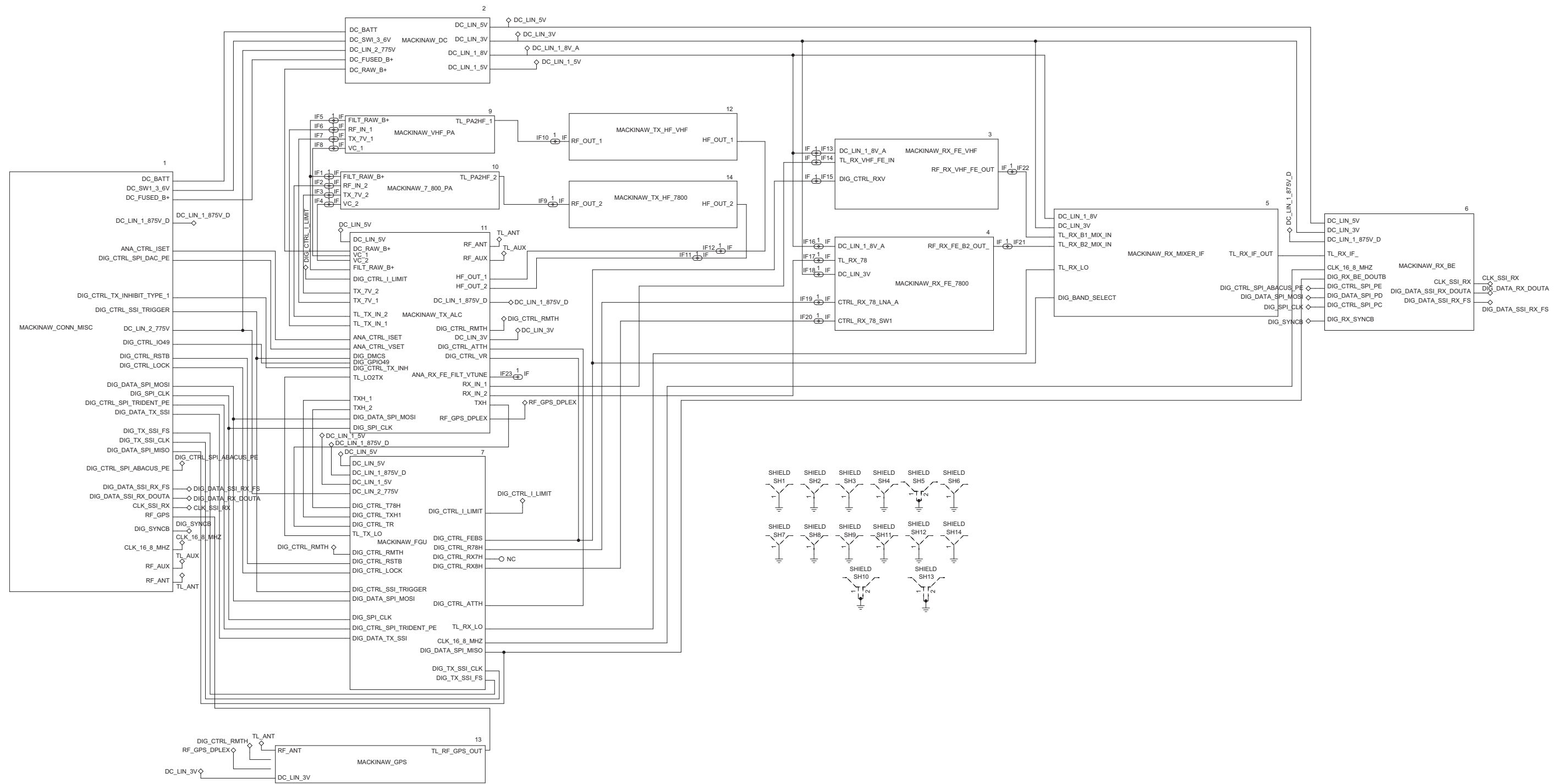


Figure 8-2. MNUR4001B/D Transceiver (RF) Board Overall Circuit Schematic

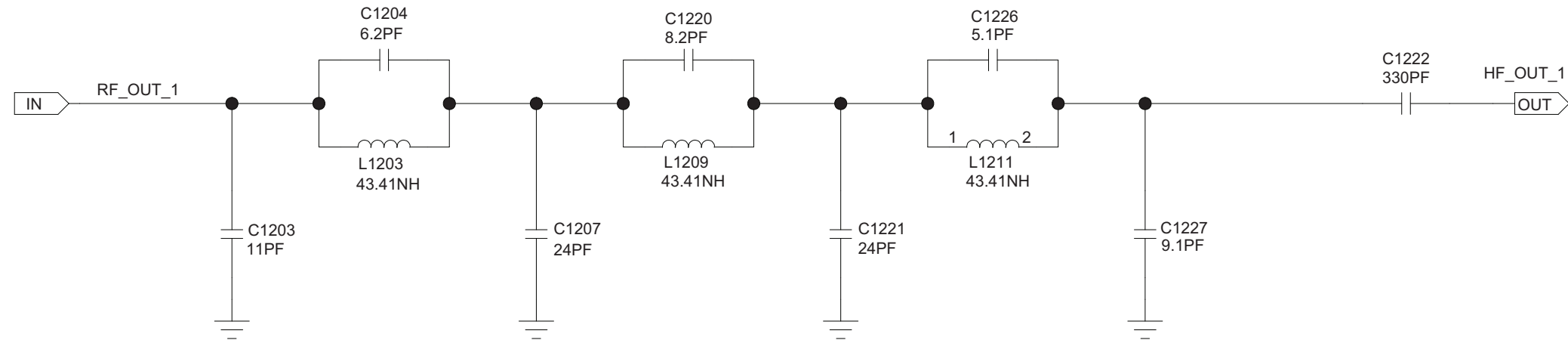


Figure 8-3. MNUR4001B/D VHF Harmonic Filter Circuit

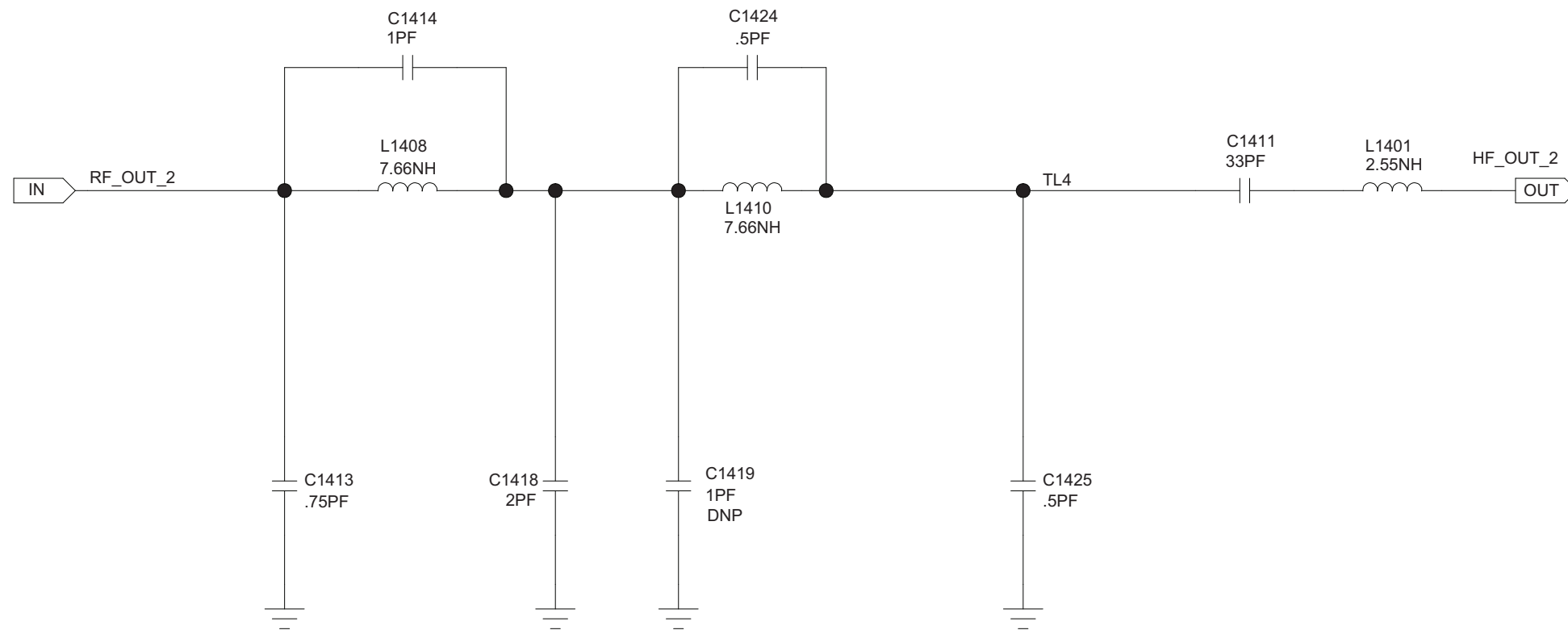


Figure 8-4. MNUR4001B/D 700–800 MHz Harmonic Filter Circuit

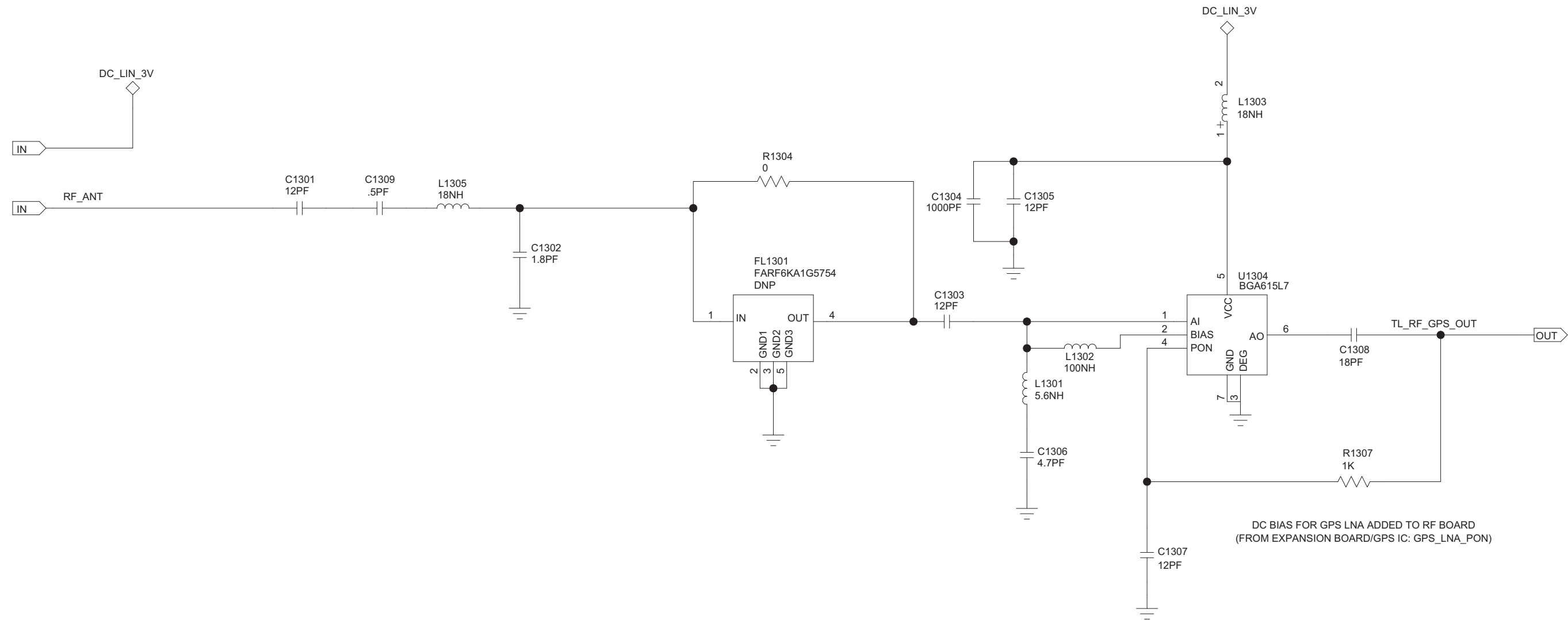


Figure 8-5. MNUR4001B GPS Circuit

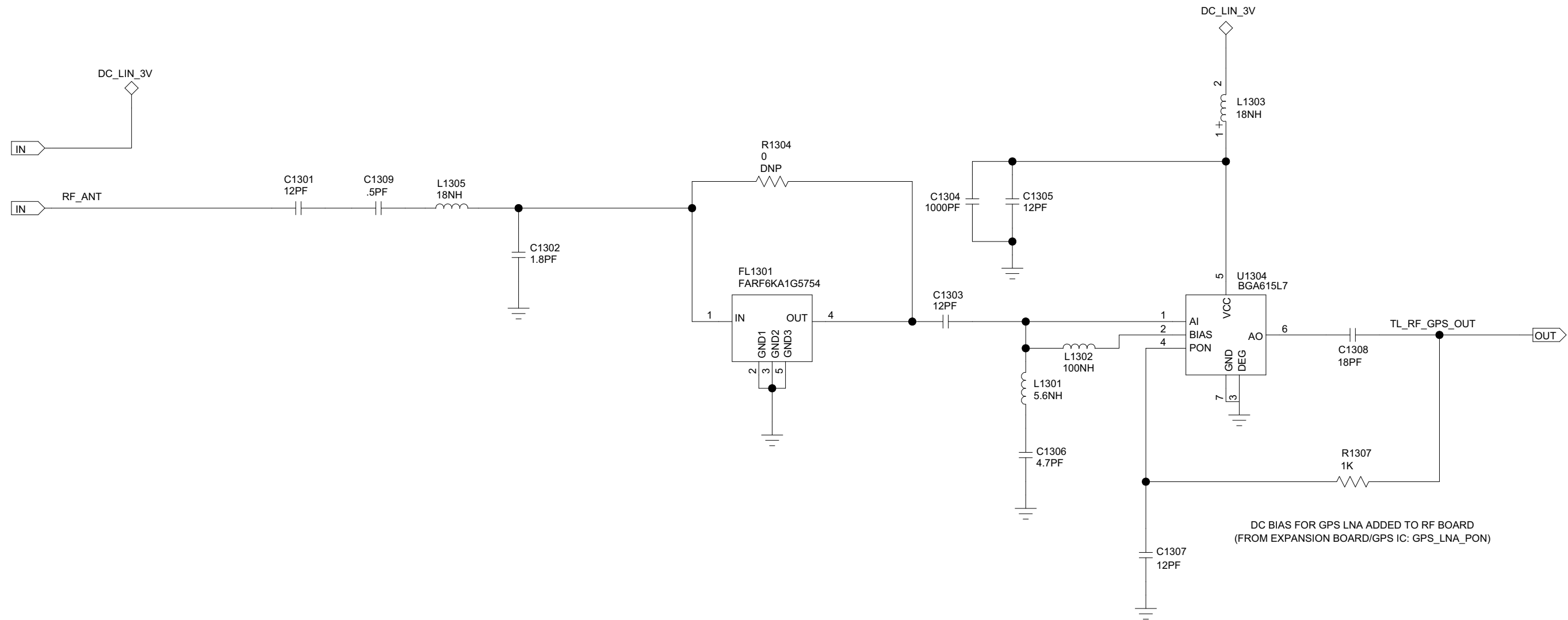


Figure 8-6. MNUR4001D GPS Circuit

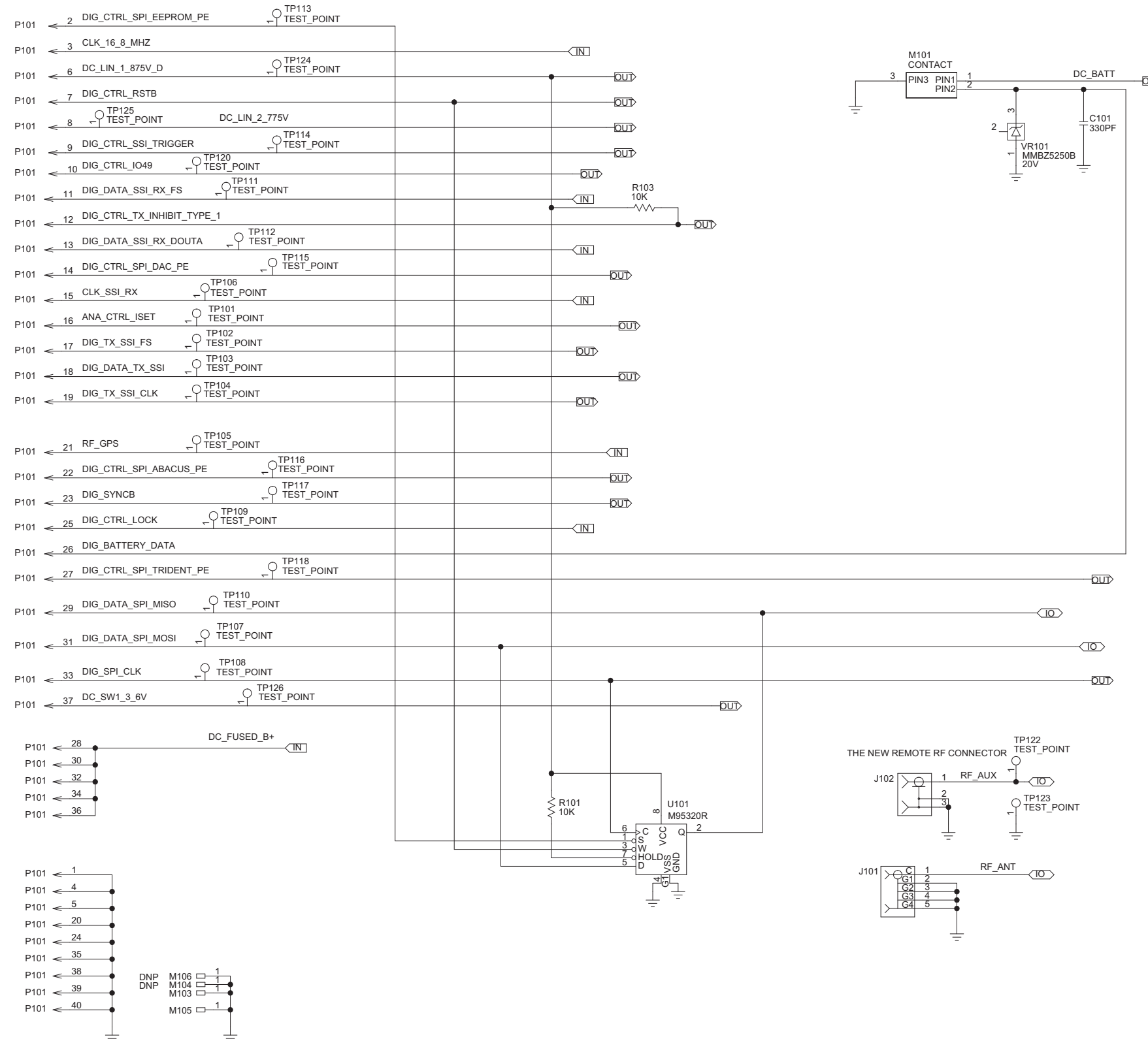


Figure 8-7. MNUR4001B/D Miscellaneous Connector Circuit

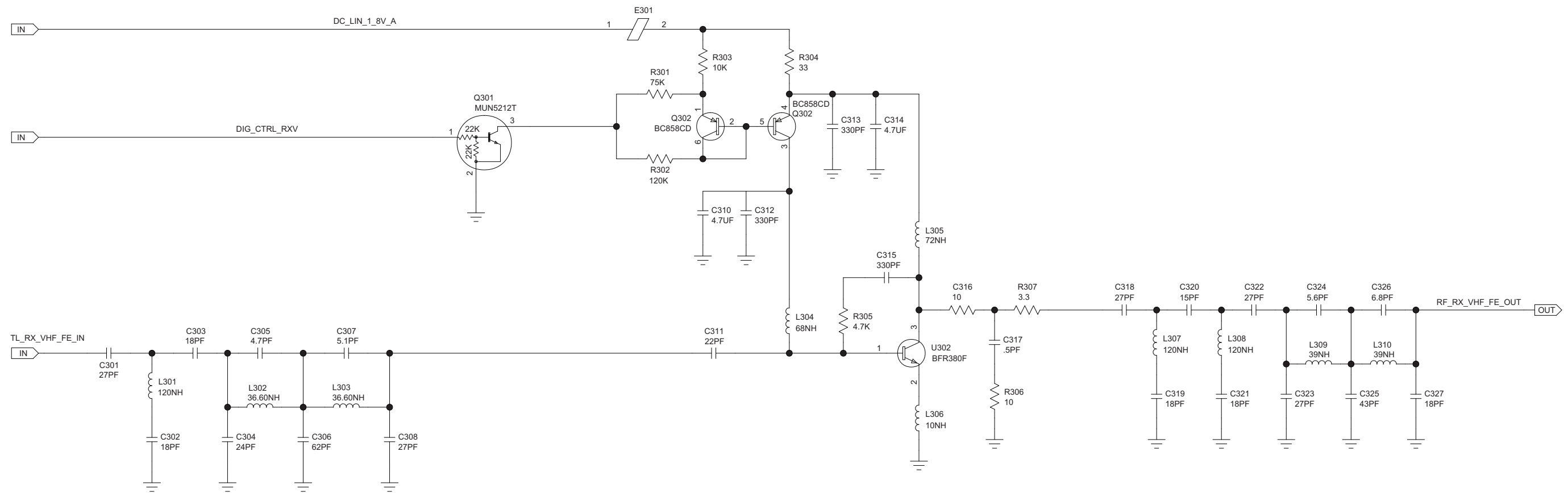


Figure 8-8. MNUR4001B/D VHF Receiver Front End Circuit

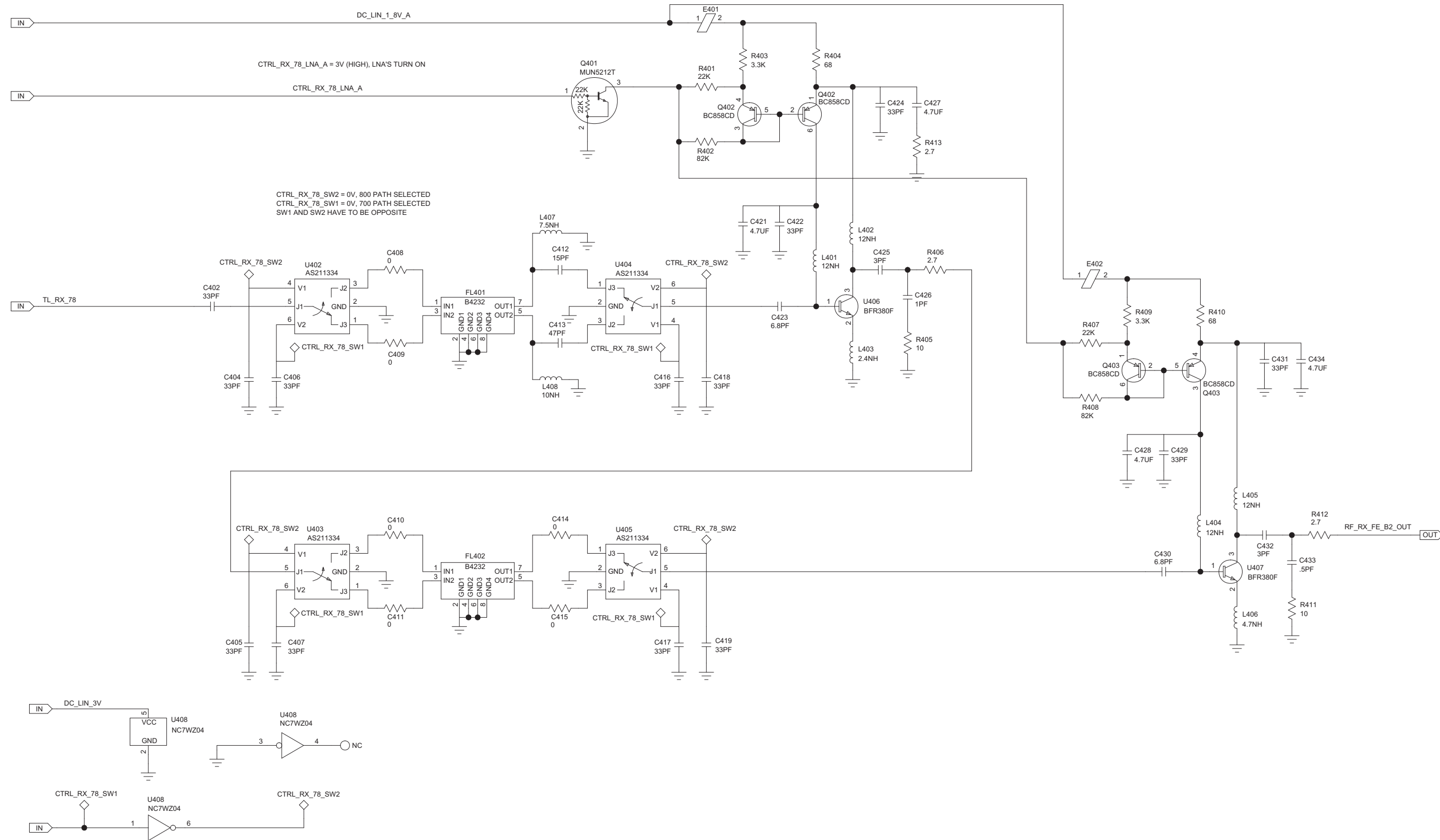


Figure 8-9. MNUR4001B/D 700–800 MHz Receiver Front End Circuit

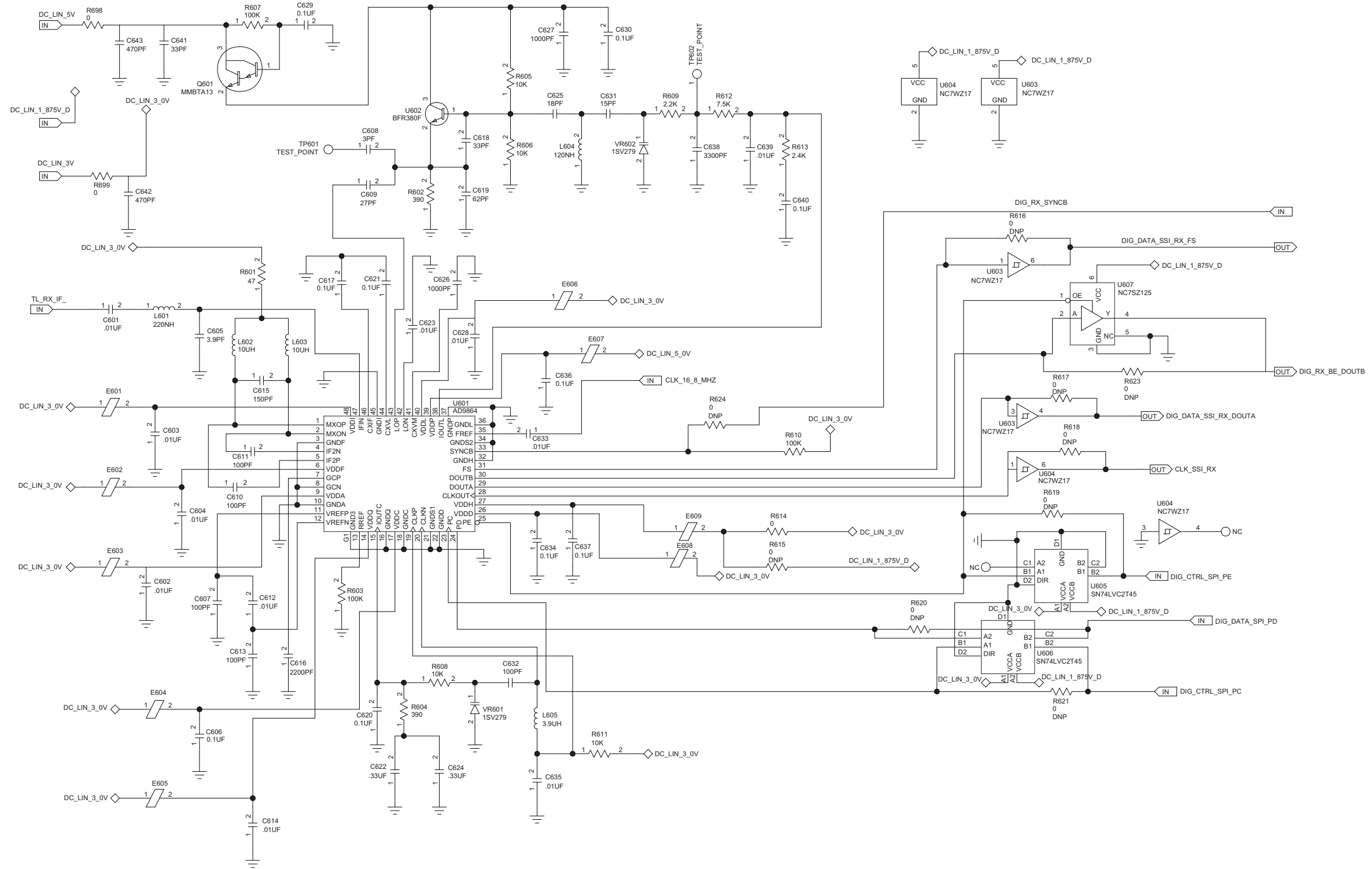


Figure 8-10. MNUR4001B Receiver Back End Circuit

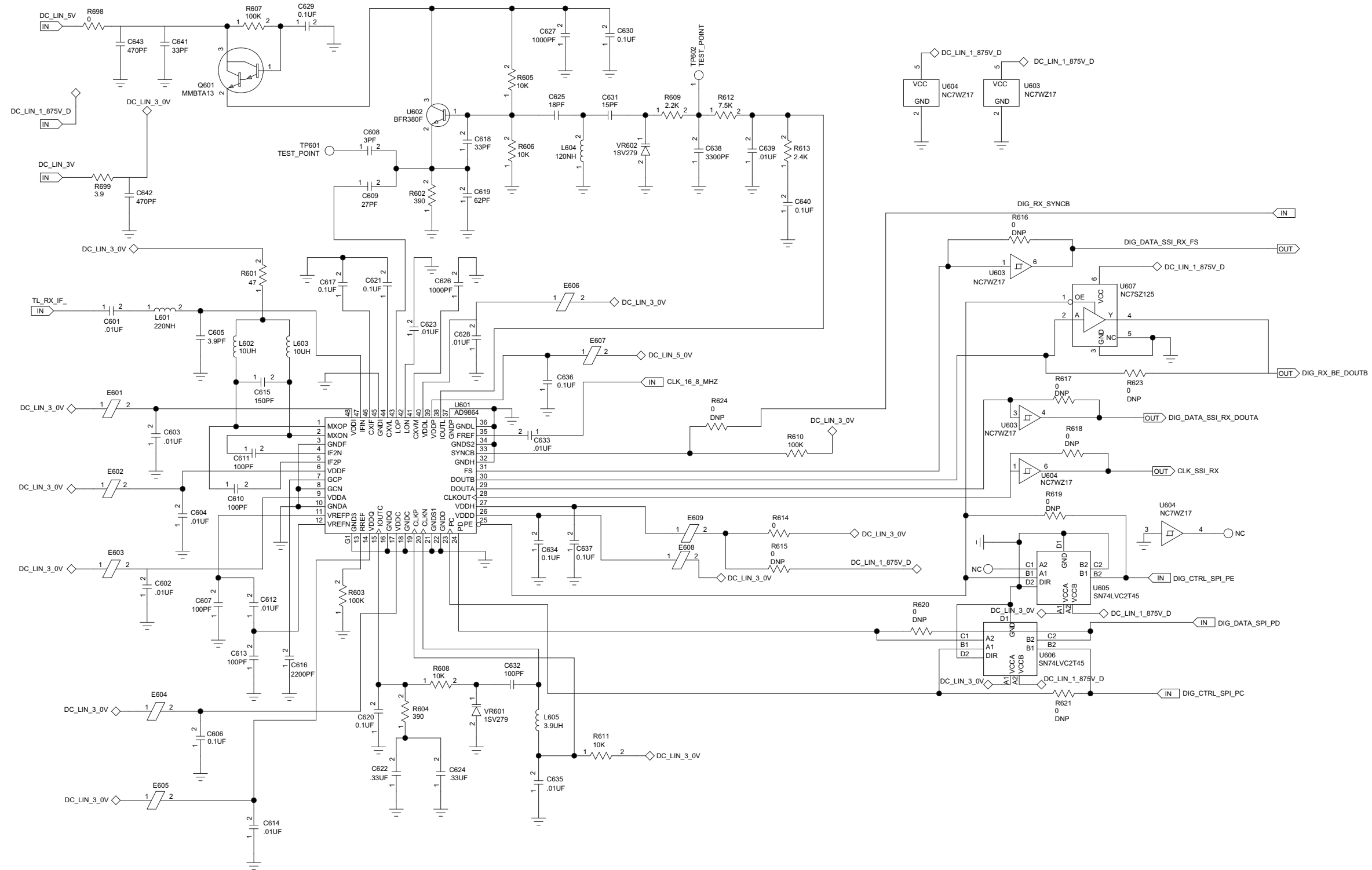


Figure 8-11. MNUR4001D Receiver Back End Circuit

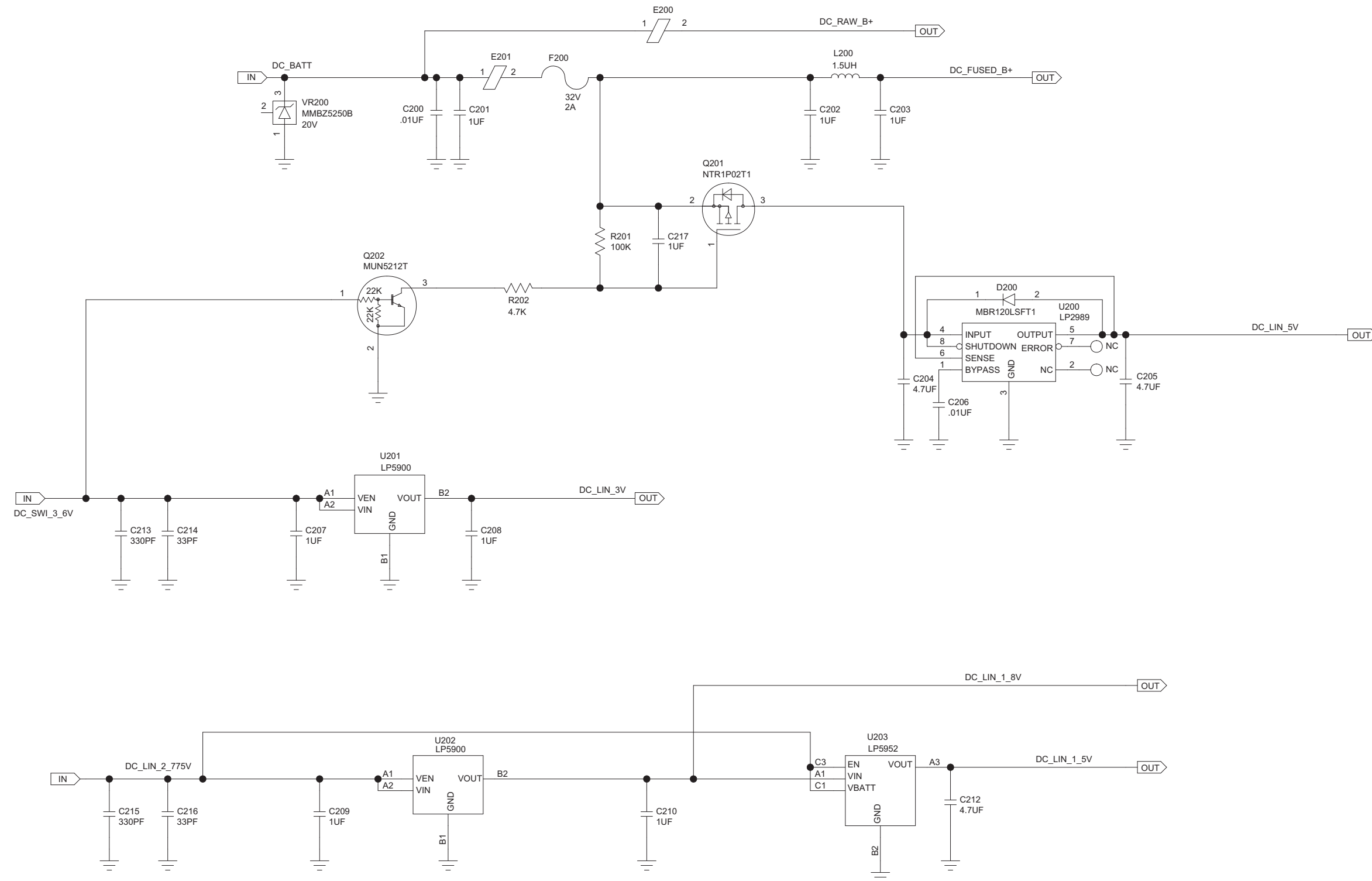


Figure 8-12. MNUR4001B/D DC Power Circuit

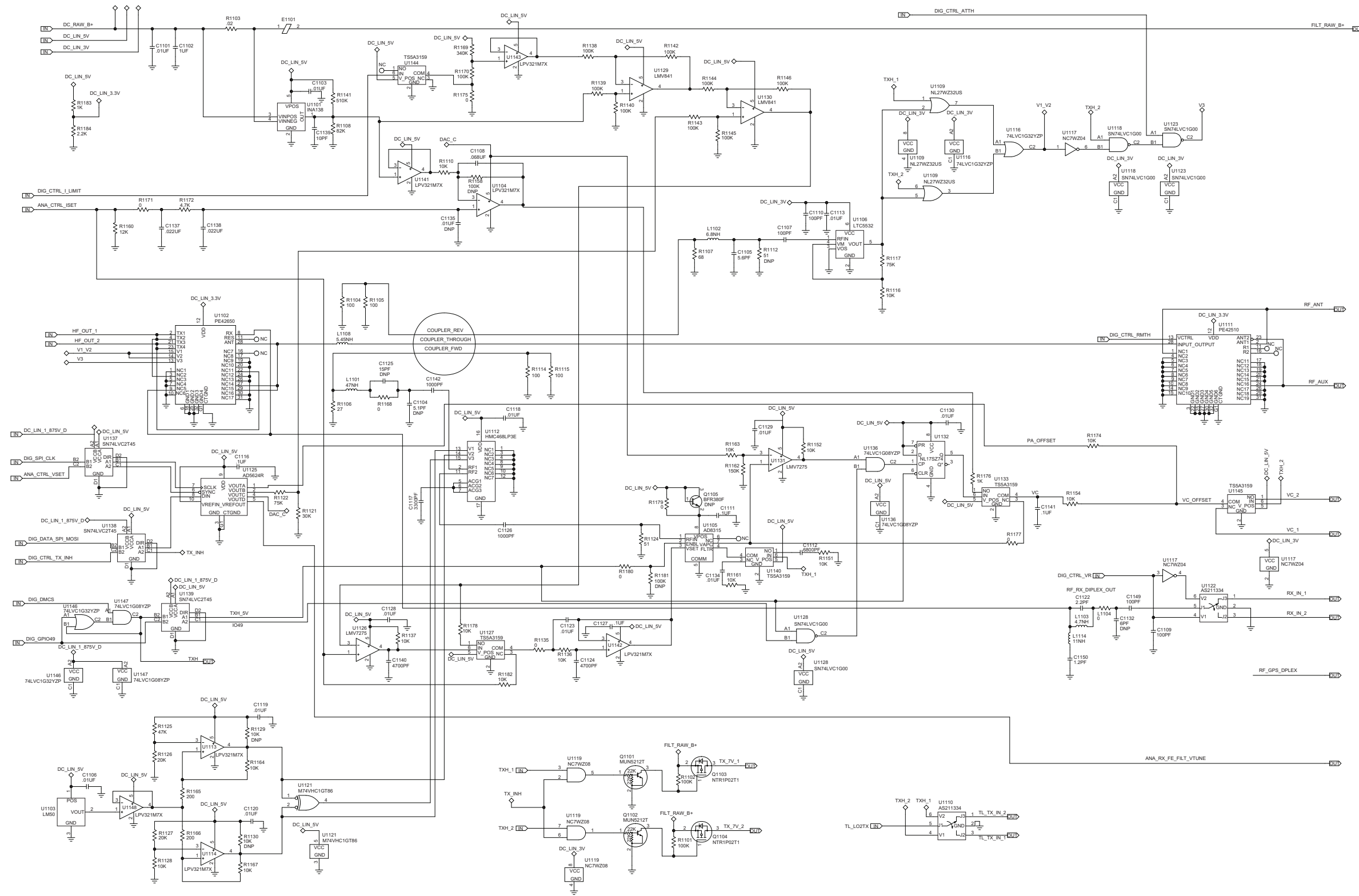


Figure 8-13. MNUR4001B/D Transmitter and Automatic Level Control Circuits

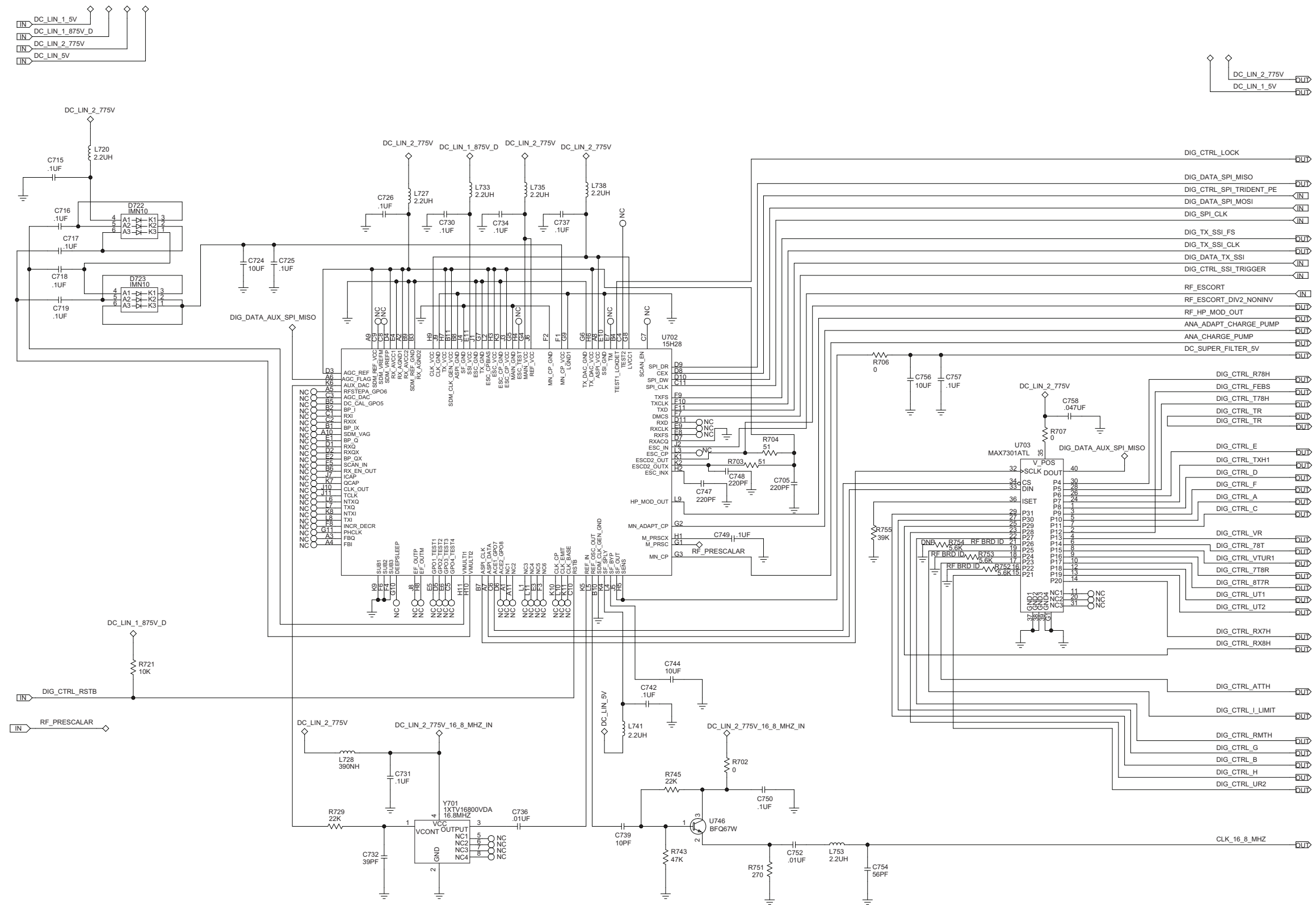


Figure 8-14. MNUR4001B/D Frequency Generation Unit (Synthesizer) Circuit – 1 of 2

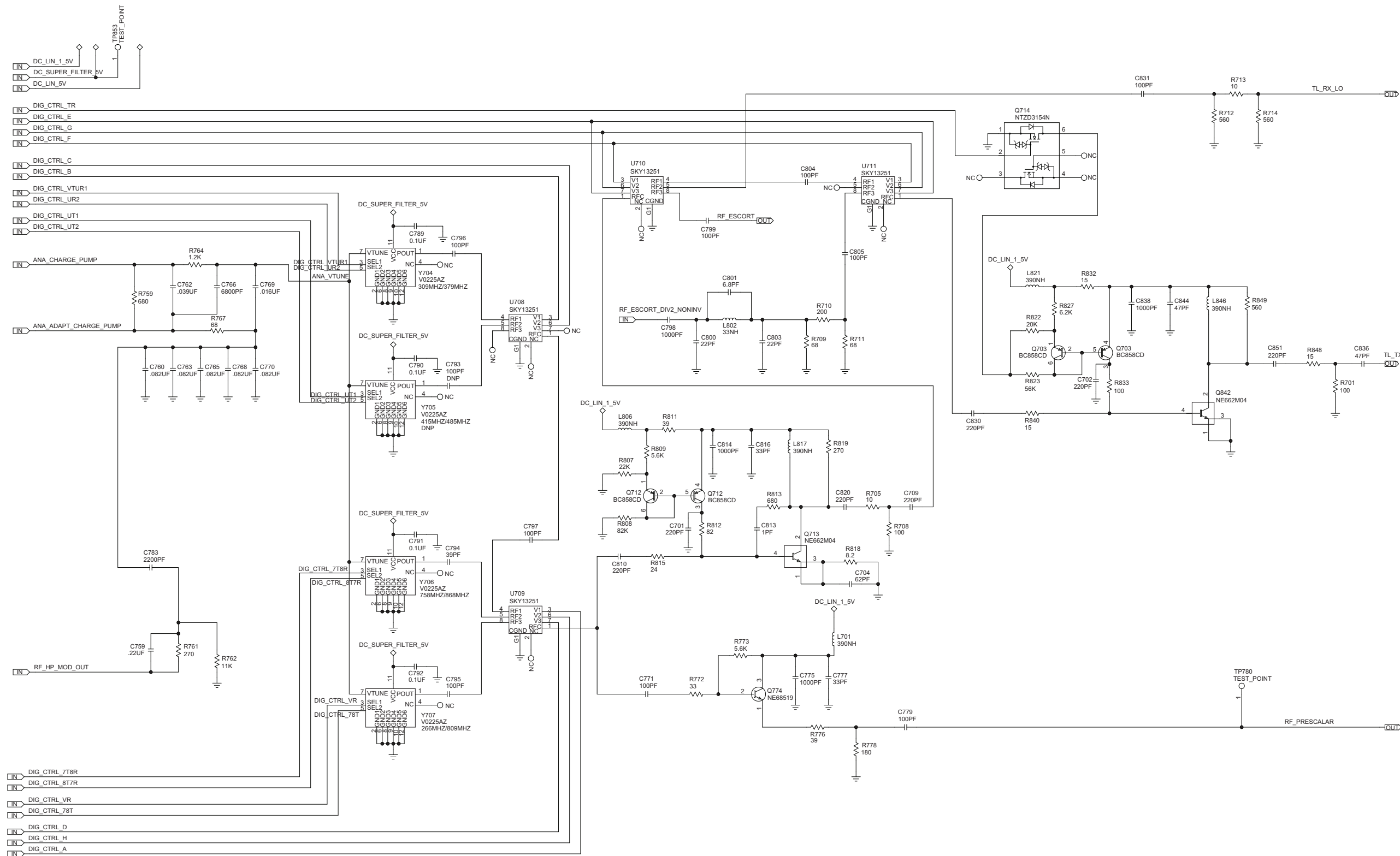


Figure 8-15. MNUR4001B/D Frequency Generation Unit (VCO) Circuit – 2 of 2

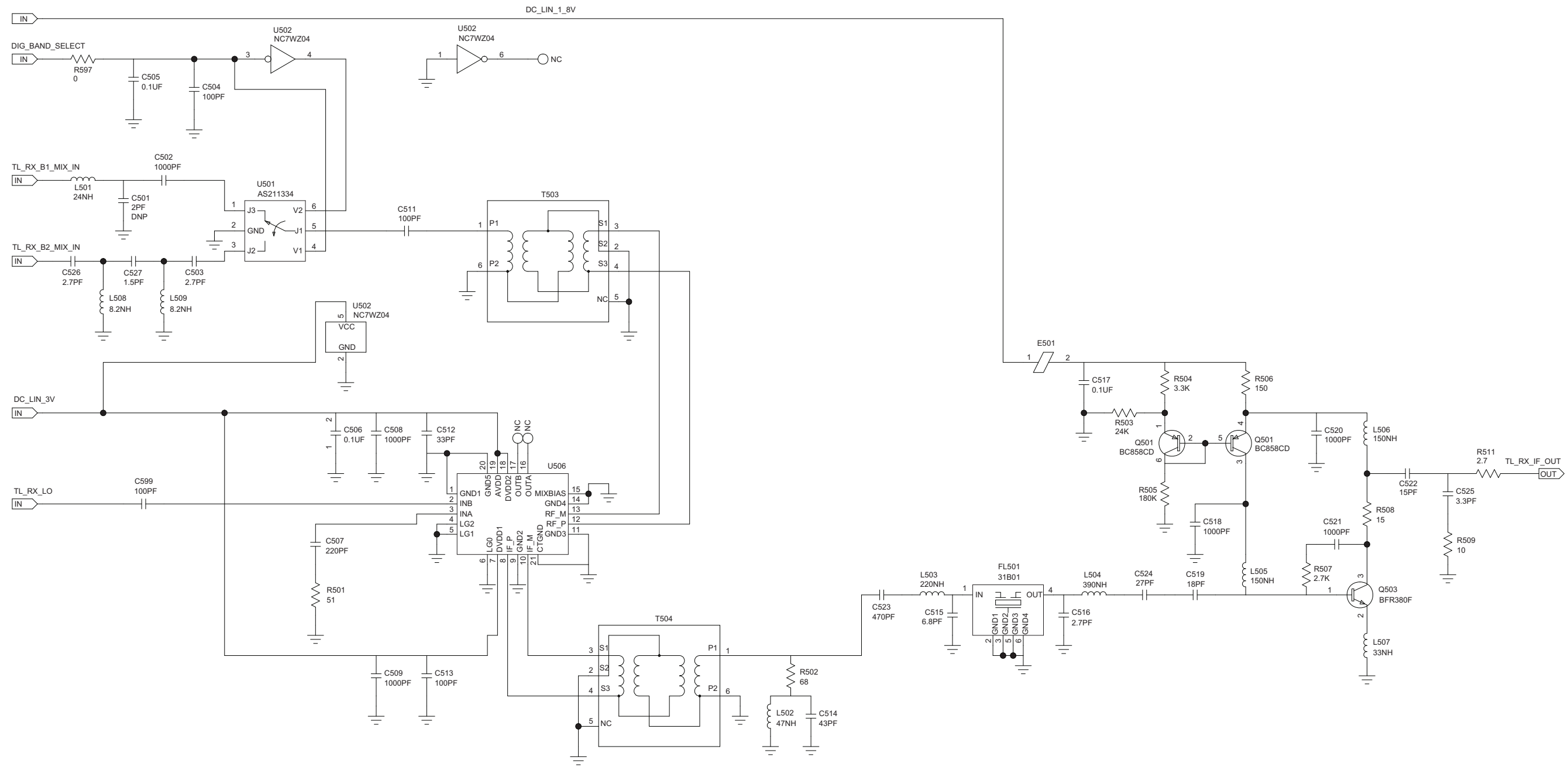


Figure 8-16. MNUR4001B/D Mixer and IF Filter Circuits

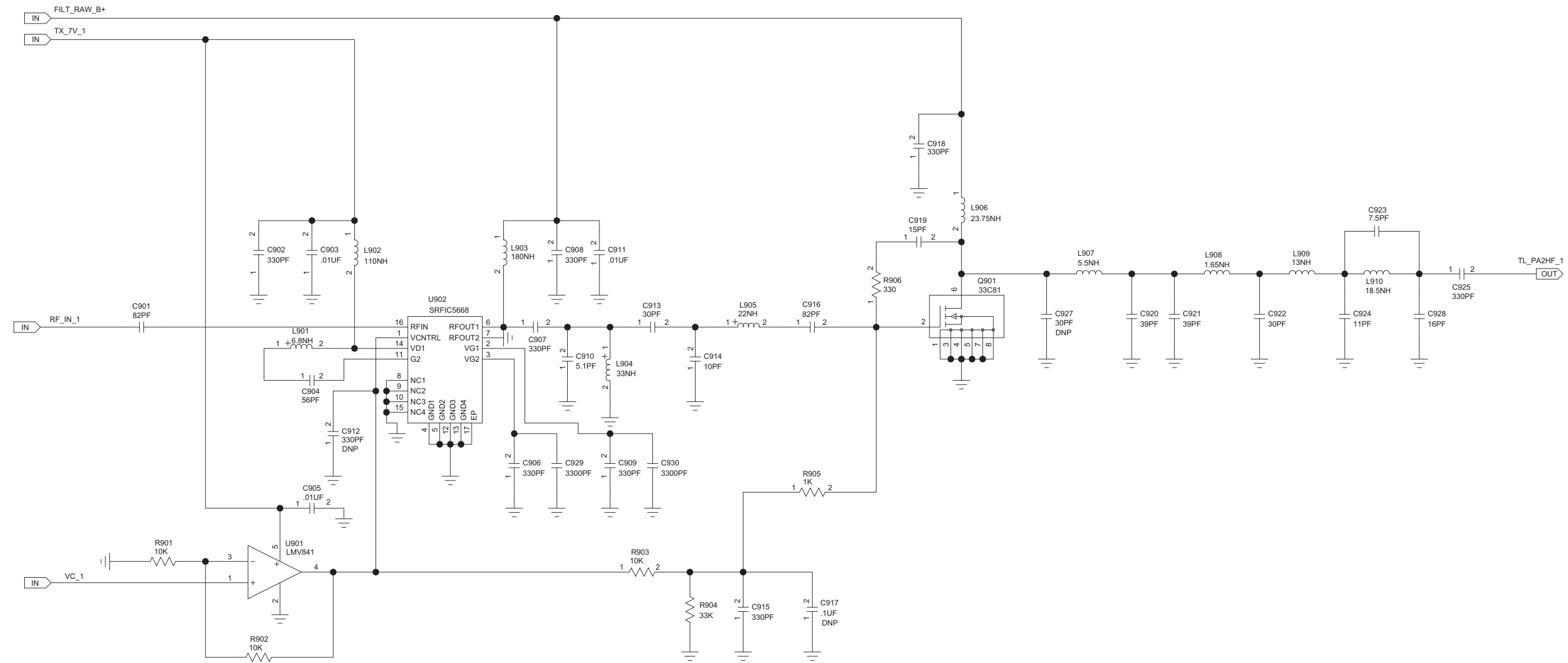


Figure 8-17. MNUR4001B/D VHF Power Amplifier Circuit

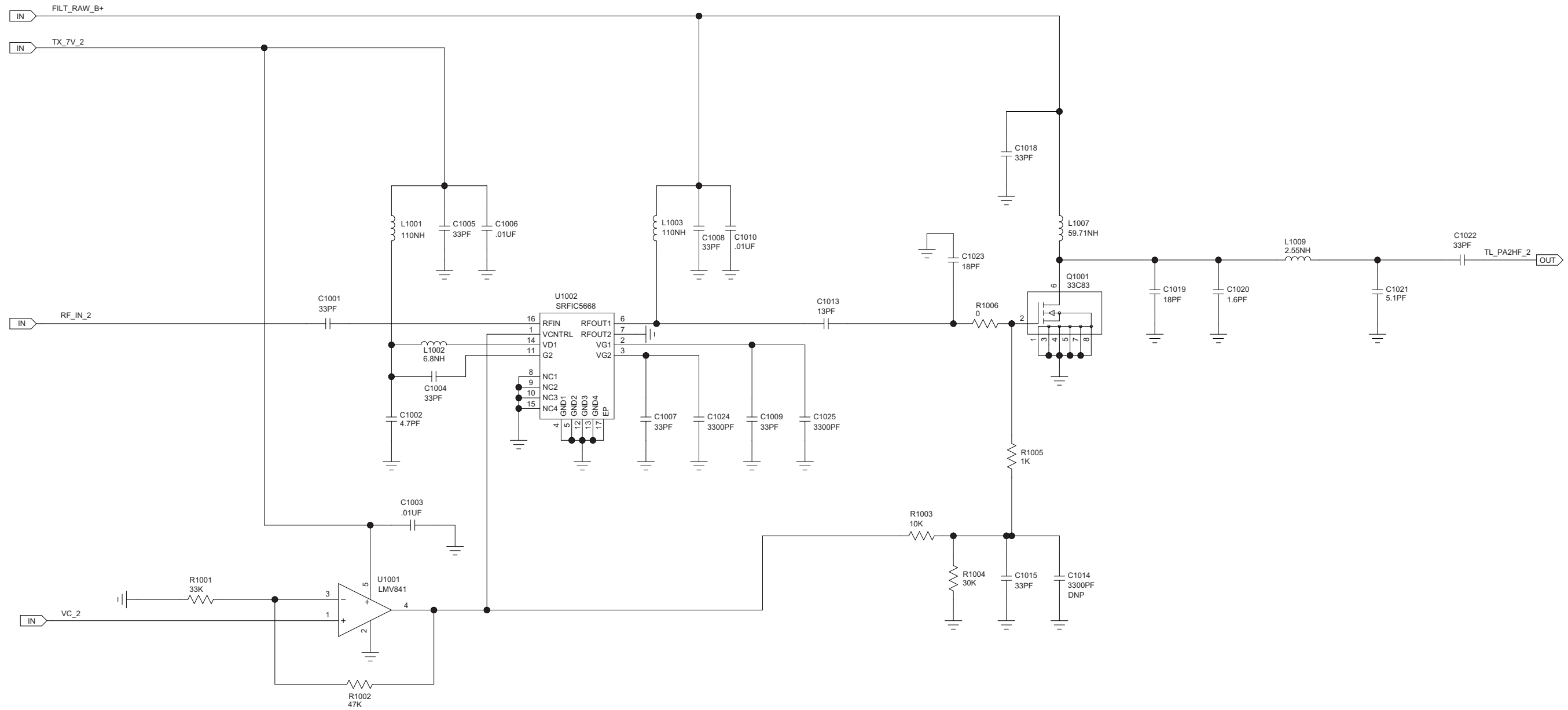


Figure 8-18. MNUR4001B/D 700–800 MHz Power Amplifier Circuit

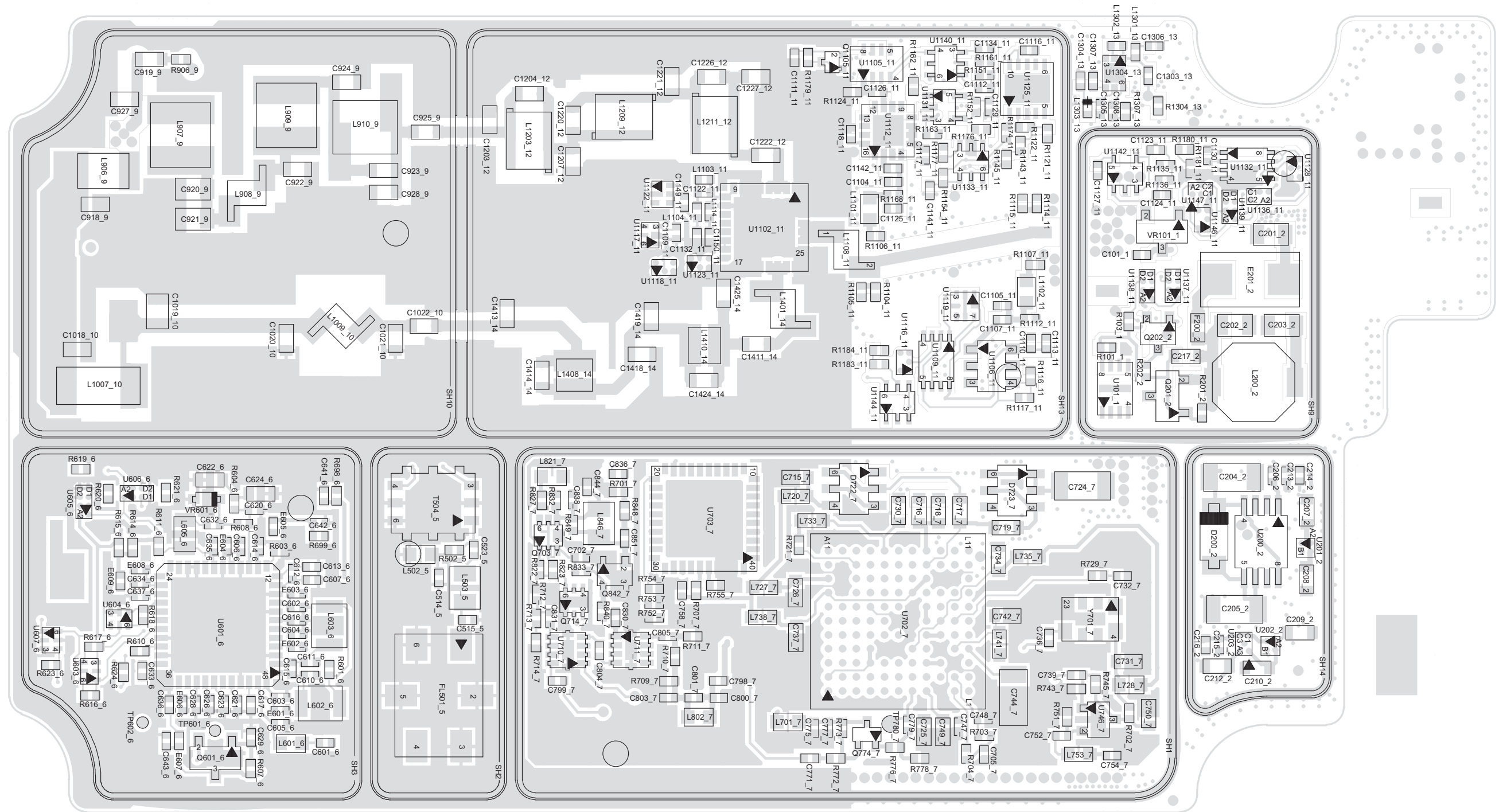


Figure 8-19. MNUR4001B/D Transceiver (RF) Board Layout – Side 1

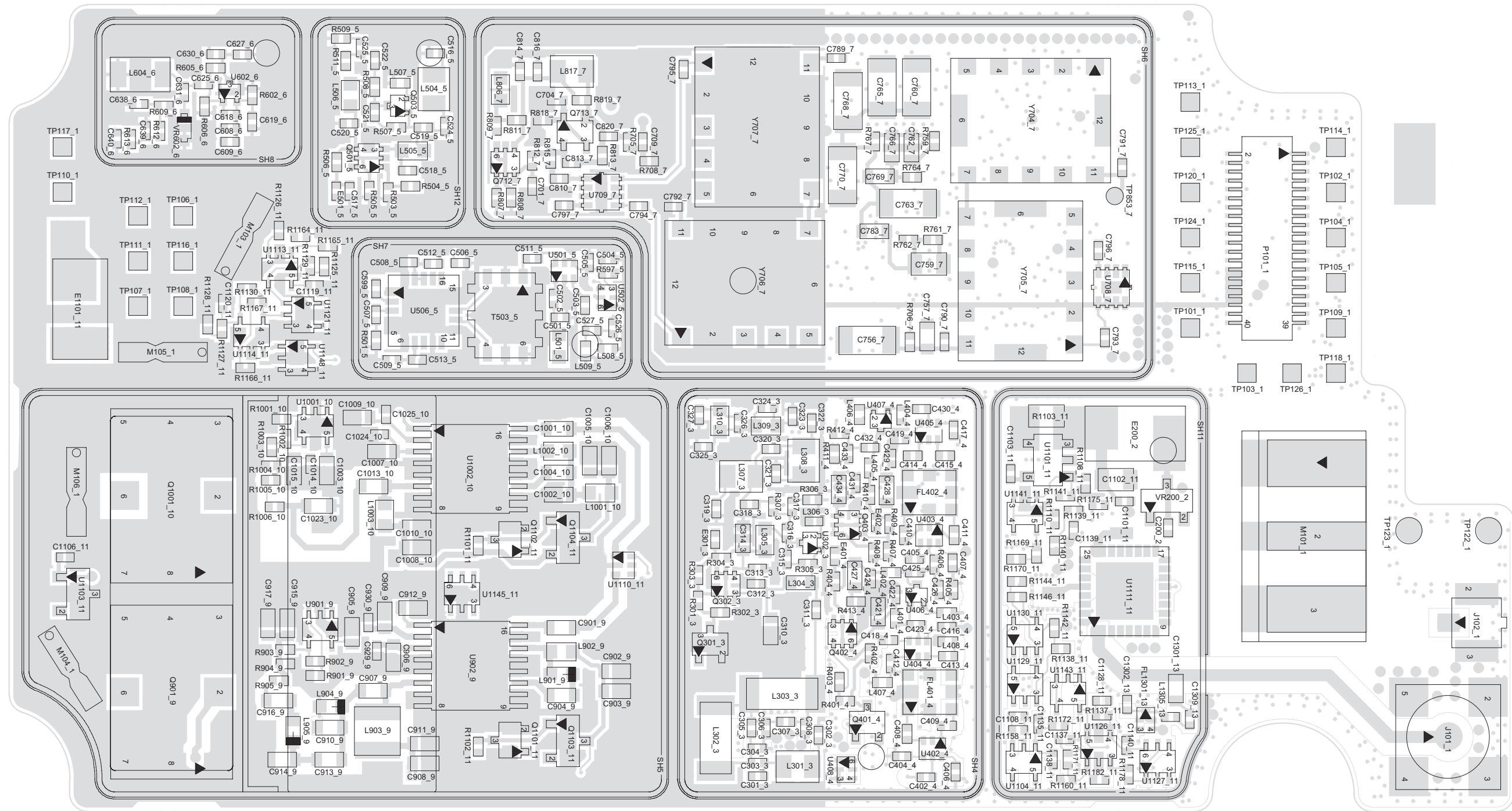


Figure 8-20. MNUR4001B/D Transceiver (RF) Board Layout – Side 2

**MNUR4001B VHF/700–800 MHz Transceiver
(RF) Board Parts List**

Ref. Des.	Part Number	Description
C101	2113944A46	CAP,CHIP,330PF,+5%,-10%, 50V-DC,0402,C0G,-55DEG CMIN,125DEG CMAX
C200	2113945B02	CAP,CHIP,.01UF,+10%,-10%, 25V-DC,0402,X7R,-55DEG CMIN,125DEG CMA
C201	2188468Y01	CAP,CHIP,1UF,+10%,-10%, 25V-DC,0805,X7R
C202	2188468Y01	CAP,CHIP,1UF,+10%,-10%, 25V-DC,0805,X7R
C203	2188468Y01	CAP,CHIP,1UF,+10%,-10%, 25V-DC,0805,X7R
C204	2113955D35	CAP,FXD,4.7UF,+10%,-10%, 16V-DC,1206,X7R,-55DEG CMIN,125DEG CMAX
C205	2113955D35	CAP,FXD,4.7UF,+10%,-10%, 16V-DC,1206,X7R,-55DEG CMIN,125DEG CMAX
C206	2113945B02	CAP,CHIP,.01UF,+10%,-10%, 25V-DC,0402,X7R,-55DEG CMIN,125DEG CMA
C207	2113956B91	CAP,FXD,1UF,+10%,10%,16V-DC,0603,X5R,-55DEG CMIN,85DEG CMAX,PB
C208	2113956B91	CAP,FXD,1UF,+10%,10%,16V-DC,0603,X5R,-55DEG CMIN,85DEG CMAX,PB
C209	2113956B91	CAP,FXD,1UF,+10%,10%,16V-DC,0603,X5R,-55DEG CMIN,85DEG CMAX,PB
C210	2113956B91	CAP,FXD,1UF,+10%,10%,16V-DC,0603,X5R,-55DEG CMIN,85DEG CMAX,PB
C212	2113946D07	CAP,CHIP,4.7UF,+10%,10%,6.3V-DC,0603,X5R,-55DEG CMIN,85DEG CMA
C213	2113944A46	CAP,CHIP,330PF,+5%,-10%, 50V-DC,0402,C0G,-55DEG CMIN,125DEG CMAX
C214	2113944A31	CAP,CHIP,33PF,+5%,-10%,50V-DC,0402,C0G,-55DEG CMIN,125DEG CMAX,P
C215	2113944A46	CAP,CHIP,330PF,+5%,-10%, 50V-DC,0402,C0G,-55DEG CMIN,125DEG CMAX

Ref. Des.	Part Number	Description
C216	2113944A31	CAP,CHIP,33PF,+5%,-10%, 50V-DC,0402,C0G,-55DEG CMIN,125DEG CMAX,P
C217	2113956B91	CAP,FXD,1UF,+10%,-10%, 16V-DC,0603,X5R,-55DEG CMIN,85DEG CMAX,PB
C301	2113944A30	CAP,CHIP,27PF,+5%,-10%, 50V-DC,0402,C0G,-55DEG CMIN,125DEG CMAX,P
C302	2113944A28	CAP,CHIP,18PF,+5%,-10%, 50V-DC,0402,C0G,-55DEG CMIN,125DEG CMAX,P
C303	2113944A28	CAP,CHIP,18PF,+5%,-10%, 50V-DC,0402,C0G,-55DEG CMIN,125DEG CMAX,P
C304	2113944A81	CAP,FXD,24PF,+5%,-10%, 50V-DC,0402,C0G,-55DEG CMIN,125DEG CMAX,PB
C305	2113944A17	CAP,CHIP,4.7PF,.25PF+/-,50V-DC,0402,C0G,-55DEG CMIN,125DEG CMA
C306	2113944A35	CAP,CHIP,62PF,+5%,-10%, 50V-DC,0402,C0G,-55DEG CMIN,125DEG CMAX,P
C307	2113944A18	CAP,CHIP,5.1PF,.5PF+/-,50V-DC,0402,C0G,-55DEG CMIN,125DEG CMAX
C308	2113944A30	CAP,CHIP,27PF,+5%,-10%, 50V-DC,0402,C0G,-55DEG CMIN,125DEG CMAX,P
C310	2113946D07	CAP,CHIP,4.7UF,+10%,-10%, 6.3V-DC,0603,X5R,-55DEG CMIN,85DEG CMA
C311	2113944A29	CAP,CHIP,22PF,+5%,-10%, 50V-DC,0402,C0G,-55DEG CMIN,125DEG CMAX,P
C312	2113944A46	CAP,CHIP,330PF,+5%,-10%, 50V-DC,0402,C0G,-55DEG CMIN,125DEG CMAX
C313	2113944A46	CAP,CHIP,330PF,+5%,-10%, 50V-DC,0402,C0G,-55DEG CMIN,125DEG CMAX
C314	2113946D07	CAP,CHIP,4.7UF,+10%,-10%, 6.3V-DC,0603,X5R,-55DEG CMIN,85DEG CMA
C315	2113944A46	CAP,CHIP,330PF,+5%,-10%, 50V-DC,0402,C0G,-55DEG CMIN,125DEG CMAX

Ref. Des.	Part Number	Description
C316	0613952Q25	RES,MF,10,5,.0625,SM,0402,200,PB-FREE
C317	2175389H01	CAP,.5PF,CAP,.5PF,CHIP,0402,CERAMIC,50V
C318	2113944A30	CAP,CHIP,27PF,+5%,-10%, 50V-DC,0402,C0G,-55DEG CMIN,125DEG CMAX,P
C319	2113944A28	CAP,CHIP,18PF,+5%,-10%, 50V-DC,0402,C0G,-55DEG CMIN,125DEG CMAX,P
C320	2113944A27	CAP,CHIP,15PF,+5%,-10%, 50V-DC,0402,C0G,-55DEG CMIN,125DEG CMAX,P
C321	2113944A28	CAP,CHIP,18PF,+5%,-10%, 50V-DC,0402,C0G,-55DEG CMIN,125DEG CMAX,P
C322	2113944A30	CAP,CHIP,27PF,+5%,-10%, 50V-DC,0402,C0G,-55DEG CMIN,125DEG CMAX,P
C323	2113944A30	CAP,CHIP,27PF,+5%,-10%, 50V-DC,0402,C0G,-55DEG CMIN,125DEG CMAX,P
C324	2113944A19	CAP,CHIP,5.6PF,.5PF+/-,50V-DC,0402,C0G,-55DEG CMIN,125DEG CMAX
C325	2113944A84	CAP,FXD,43PF,+5%,-10%, 50V-DC,0402,C0G,-55DEG CMIN,125DEG CMAX,PB
C326	2113944A21	CAP,CHIP,6.8PF,.5PF+/-,50V-DC,0402,C0G,-55DEG CMIN,125DEG CMAX
C327	2113944A28	CAP,CHIP,18PF,+5%,-10%, 50V-DC,0402,C0G,-55DEG CMIN,125DEG CMAX,P
C402	2113944A31	CAP,CHIP,33PF,+5%,-10%, 50V-DC,0402,C0G,-55DEG CMIN,125DEG CMAX,P
C404	2113944A31	CAP,CHIP,33PF,+5%,-10%, 50V-DC,0402,C0G,-55DEG CMIN,125DEG CMAX,P
C405	2113944A31	CAP,CHIP,33PF,+5%,-10%, 50V-DC,0402,C0G,-55DEG CMIN,125DEG CMAX,P
C406	2113944A31	CAP,CHIP,33PF,+5%,-10%, 50V-DC,0402,C0G,-55DEG CMIN,125DEG CMAX,P
C407	2113944A31	CAP,CHIP,33PF,+5%,-10%, 50V-DC,0402,C0G,-55DEG CMIN,125DEG CMAX,P

Ref. Des.	Part Number	Description
C408	0613952R66	RES,MF,00HM,5%,.0625W,SM,0402,PB-FREE
C409	0613952R66	RES,MF,00HM,5%,.0625W,SM,0402,PB-FREE
C410	0613952R66	RES,MF,00HM,5%,.0625W,SM,0402,PB-FREE
C411	0613952R66	RES,MF,00HM,5%,.0625W,SM,0402,PB-FREE
C412	2113944A27	CAP,CHIP,15PF,+5%,-10%, 50V-DC,0402,C0G,-55DEG CMIN,125DEG CMAX,P
C413	2113944A33	CAP,CHIP,47PF,+5%,-10%, 50V-DC,0402,C0G,-55DEG CMIN,125DEG CMAX,P
C414	0613952R66	RES,MF,00HM,5%,.0625W,SM,0402,PB-FREE
C415	0613952R66	RES,MF,00HM,5%,.0625W,SM,0402,PB-FREE
C416	2113944A31	CAP,CHIP,33PF,+5%,-10%, 50V-DC,0402,C0G,-55DEG CMIN,125DEG CMAX,P
C417	2113944A31	CAP,CHIP,33PF,+5%,-10%, 50V-DC,0402,C0G,-55DEG CMIN,125DEG CMAX,P
C418	2113944A31	CAP,CHIP,33PF,+5%,-10%, 50V-DC,0402,C0G,-55DEG CMIN,125DEG CMAX,P
C419	2113944A31	CAP,CHIP,33PF,+5%,-10%, 50V-DC,0402,C0G,-55DEG CMIN,125DEG CMAX,P
C421	2113946D07	CAP,CHIP,4.7UF,+10%,-10%, 6.3V-DC,0603,X5R,-55DEG CMIN,85DEG CMA
C422	2113944A31	CAP,CHIP,33PF,+5%,-10%, 50V-DC,0402,C0G,-55DEG CMIN,125DEG CMAX,P
C423	2113944A21	CAP,CHIP,6.8PF,.5PF+/-,50V-DC,0402,C0G,-55DEG CMIN,125DEG CMAX
C424	2113944A31	CAP,CHIP,33PF,+5%,-10%, 50V-DC,0402,C0G,-55DEG CMIN,125DEG CMAX,P
C425	2113944A12	CAP,CHIP,3PF,.25PF+/-,50V-DC,0402,C0G,-55DEG CMIN,125DEG CMAX
C426	2113944A63	CAP,FXD,1PF,.25PF+/-,50V-DC,0402,C0G,-55DEG CMIN,125DEG CMAX,P

Ref. Des.	Part Number	Description	Ref. Des.	Part Number	Description	Ref. Des.	Part Number	Description	Ref. Des.	Part Number	Description
C427	2113946D07	CAP,CHIP,4.7UF,+10%,-10%, 6.3V-DC,0603,X5R,-55DEG CMIN,85DEG CMA	C511	2113944A40	CAP,CHIP,100PF,+5%,-10%, 50V- DC,0402,C0G,-55DEG CMIN, 125DEG CMAX	C527	2113944V07	CAP,FXD,1.5PF,.1PF+/-,50V- DC,0402,C0G,-55DEG CMIN, 125DEG CMAX	C615	2113944A42	CAP,CHIP,150PF,+5%,-10%, 50V- DC,0402,C0G,-55DEG CMIN, 125DEG CMAX
C428	2113946D07	CAP,CHIP,4.7UF,+10%,-10%, 6.3V-DC,0603,X5R,-55DEG CMIN,85DEG CMA	C512	2113944A31	CAP,CHIP,33PF,+5%,-10%, 50V- DC,0402,C0G,-55DEG CMIN, 125DEG CMAX,P	C599	2113944A40	CAP,CHIP,100PF,+5%,-10%, 50V- DC,0402,C0G,-55DEG CMIN, 125DEG CMAX	C616	2113945A11	CAP,CHIP,2200PF,+10%,-10%, 50V-DC,0402,X7R,-55DEG CMIN, 125DEG CM
C429	2113944A31	CAP,CHIP,33PF,+5%,-10%, 50V- DC,0402,C0G,-55DEG CMIN, 125DEG CMAX,P	C513	2113944A40	CAP,CHIP,100PF,+5%,-10%, 50V- DC,0402,C0G,-55DEG CMIN, 125DEG CMAX	C601	2113945B02	CAP,CHIP,.01UF,+10%,-10%, 25V- DC,0402,X7R,-55DEG CMIN, 125DEG CMA	C617	2113946B04	CAP,CHIP,.1UF,+10%,-10%, 10V- DC,0402,X5R,-55DEG CMIN, 85DEG CMAX
C430	2113944A21	CAP,CHIP,6.8PF,.5PF+/-,50V- DC,0402,C0G,-55DEG CMIN, 125DEG CMAX	C514	2113944A84	CAP,FXD,43PF,+5%,-10%, 50V- DC,0402,C0G,-55DEG CMIN, 125DEG CMAX,PB	C602	2113945B02	CAP,CHIP,.01UF,+10%,-10%, 25V- DC,0402,X7R,-55DEG CMIN, 125DEG CMA	C618	2113944A31	CAP,CHIP,33PF,+5%,-10%, 50V- DC,0402,C0G,-55DEG CMIN, 125DEG CMAX,P
C431	2113944A31	CAP,CHIP,33PF,+5%,-10%, 50V- DC,0402,C0G,-55DEG CMIN, 125DEG CMAX,P	C515	2113944A21	CAP,CHIP,6.8PF,.5PF+/-,50V- DC,0402,C0G,-55DEG CMIN, 125DEG CMAX	C603	2113945B02	CAP,CHIP,.01UF,+10%,-10%, 25V- DC,0402,X7R,-55DEG CMIN, 125DEG CMA	C619	2113944A35	CAP,CHIP,62PF,+5%,-10%, 50V- DC,0402,C0G,-55DEG CMIN, 125DEG CMAX,P
C432	2113944A12	CAP,CHIP,3PF,.25PF+/-,50V- DC,0402,C0G,-55DEG CMIN, 125DEG CMAX	C516	2113944A11	CAP,CHIP,2.7PF,.25PF+/-,50V- DC,0402,C0G,-55DEG CMIN, 125DEG CMA	C604	2113945B02	CAP,CHIP,.01UF,+10%,-10%, 25V- DC,0402,X7R,-55DEG CMIN, 125DEG CMA	C620	2113946B04	CAP,CHIP,.1UF,+10%,-10%, 10V- DC,0402,X5R,-55DEG CMIN, 85DEG CMAX
C433	2113944A61	CAP,FXD,.5PF,.25PF+/-,50V- DC,0402,C0G,-55DEG CMIN, 125DEG CMAX	C517	2113946B04	CAP,CHIP,.1UF,+10%,-10%, 10V- DC,0402,X5R,-55DEG CMIN, 85DEG CMAX	C605	2113944A15	CAP,CHIP,3.9PF,.25PF+/-,50V- DC,0402,C0G,-55DEG CMIN, 125DEG CMA	C621	2113946B04	CAP,CHIP,.1UF,+10%,-10%, 10V- DC,0402,X5R,-55DEG CMIN, 85DEG CMAX
C434	2113946D07	CAP,CHIP,4.7UF,+10%,-10%, 6.3V-DC,0603,X5R,-55DEG CMIN,85DEG CMA	C518	2113945A09	CAP,CHIP,1000PF,+10%,-10%, 50V-DC,0402,X7R,-55DEG CMIN, 125DEG CM	C606	2113946B04	CAP,CHIP,.1UF,+10%,-10%, 10V- DC,0402,X5R,-55DEG CMIN, 85DEG CMAX	C622	2113946C07	CAP,FXD,.33UF,+10%,10%,10V- DC,0603,X5R,-55DEG CMIN, 85DEG CMAX
C502	2113945A09	CAP,CHIP,1000PF,+10%,-10%, 50V-DC,0402,X7R,-55DEG CMIN,125DEG CM	C519	2113944A28	CAP,CHIP,18PF,+5%,-10%, 50V- DC,0402,C0G,-55DEG CMIN, 125DEG CMAX,P	C607	2113944A40	CAP,CHIP,100PF,+5%,-10%, 50V- DC,0402,C0G,-55DEG CMIN, 125DEG CMAX	C623	2113945B02	CAP,CHIP,.01UF,+10%,10%,25V- DC,0402,X7R,-55DEG CMIN, 125DEG CMA
C503	2113944V13	CAP,FXD,2.7PF,.1PF+/-,50V- DC,0402,C0G,-55DEG CMIN, 125DEG CMAX	C520	2113945A09	CAP,CHIP,1000PF,+10%,-10%, 50V-DC,0402,X7R,-55DEG CMIN, 125DEG CM	C608	2113944A12	CAP,CHIP,3PF,.25PF+/-,50V- DC,0402,C0G,-55DEG CMIN, 125DEG CMAX	C624	2113946C07	CAP,FXD,.33UF,+10%,-10%, 10V- DC,0603,X5R,-55DEG CMIN, 85DEG CMAX
C504	2113944A40	CAP,CHIP,100PF,+5%,-10%, 50V- DC,0402,C0G,-55DEG CMIN, 125DEG CMAX	C521	2113945A09	CAP,CHIP,1000PF,+10%,-10%, 50V-DC,0402,X7R,-55DEG CMIN, 125DEG CM	C609	2113944A30	CAP,CHIP,27PF,+5%,-10%, 50V- DC,0402,C0G,-55DEG CMIN, 125DEG CMAX,P	C625	2113944A28	CAP,CHIP,18PF,+5%,-10%, 50V- DC,0402,C0G,-55DEG CMIN, 125DEG CMAX,P
C505	2113946B04	CAP,CHIP,.1UF,+10%,-10%, 10V- DC,0402,X5R,-55DEG CMIN, 85DEG CMAX	C522	2113944A27	CAP,CHIP,15PF,+5%,-10%, 50V- DC,0402,C0G,-55DEG CMIN, 125DEG CMAX,P	C610	2113944A40	CAP,CHIP,100PF,+5%,-10%, 50V- DC,0402,C0G,-55DEG CMIN, 125DEG CMAX	C626	2113945A09	CAP,CHIP,1000PF,+10%,-10%, 50V-DC,0402,X7R,-55DEG CMIN, 125DEG CM
C506	2113946B04	CAP,CHIP,.1UF,+10%,-10%, 10V- DC,0402,X5R,-55DEG CMIN, 85DEG CMAX	C523	2113944A48	CAP,CHIP,470PF,+5%,-10%, 50V- DC,0402,C0G,-55DEG CMIN, 125DEG CMAX	C611	2113944A40	CAP,CHIP,100PF,+5%,-10%, 50V- DC,0402,C0G,-55DEG CMIN, 125DEG CMAX	C627	2113945A09	CAP,CHIP,1000PF,+10%,-10%, 50V-DC,0402,X7R,-55DEG CMIN, 125DEG CM
C507	2113944A44	CAP,CHIP,220PF,+5%,-10%, 50V- DC,0402,C0G,-55DEG CMIN, 125DEG CMAX	C524	2113944A30	CAP,CHIP,27PF,+5%,-10%, 50V- DC,0402,C0G,-55DEG CMIN, 125DEG CMAX,P	C612	2113945B02	CAP,CHIP,.01UF,+10%,-10%, 25V- DC,0402,X7R,-55DEG CMIN, 125DEG CMA	C628	2113945B02	CAP,CHIP,.01UF,+10%,-10%, 25V- DC,0402,X7R,-55DEG CMIN, 125DEG CMA
C508	2113945A09	CAP,CHIP,1000PF,+10%,-10%, 50V-DC,0402,X7R,-55DEG CMIN, 125DEG CM	C525	2113944A13	CAP,CHIP,3.3PF,.25PF+/-,50V- DC,0402,C0G,-55DEG CMIN, 125DEG CMA	C613	2113944A40	CAP,CHIP,100PF,+5%,-10%, 50V- DC,0402,C0G,-55DEG CMIN, 125DEG CMAX	C629	2113946B04	CAP,CHIP,.1UF,+10%,-10%, 10V- DC,0402,X5R,-55DEG CMIN, 85DEG CMAX
C509	2113945A09	CAP,CHIP,1000PF,+10%,-10%, 50V-DC,0402,X7R,-55DEG CMIN, 125DEG CM	C526	2113944V13	CAP,FXD,2.7PF,.1PF+/-,50V- DC,0402,C0G,-55DEG CMIN, 125DEG CMAX	C614	2113945B02	CAP,CHIP,.01UF,+10%,-10%, 25V- DC,0402,X7R,-55DEG CMIN, 125DEG CMA	C630	2113946B04	CAP,CHIP,.1UF,+10%,-10%, 10V- DC,0402,X5R,-55DEG CMIN, 85DEG CMAX

Ref. Des.	Part Number	Description	Ref. Des.	Part Number	Description	Ref. Des.	Part Number	Description	Ref. Des.	Part Number	Description
C631	2113944A27	CAP,CHIP,15PF,+5%,-10%, 50V-DC,0402,C0G,-55DEG CMIN,125DEG CMAX,P	C705	2113944A44	CAP,CHIP,220PF,+5%,-10%, 50V-DC,0402,C0G,-55DEG CMIN,125DEG CMAX	C739	2113944A25	CAP,CHIP,10PF,.5PF+/-,50V-DC,0402,C0G,-55DEG CMIN,125DEG CMAX	C765	2113944G97	CAP,FXD,.082UF,+5%,-10%, 50V-DC,1206,C0G,-55DEG CMIN,125DEG CMAX
C632	2113944A40	CAP,CHIP,100PF,+5%,-10%, 50V-DC,0402,C0G,-55DEG CMIN,125DEG CMAX	C709	2113944A44	CAP,CHIP,220PF,+5%,-10%, 50V-DC,0402,C0G,-55DEG CMIN,125DEG CMAX	C742	2113945C31	CAP,FXD,.1UF,+10%,-10%, 50V-DC,0603,X7R,-55DEG CMIN,125DEG CMAX	C766	2113945C01	CAP,CHIP,6800PF,+10%,-10%, 50V-DC,0603,X7R,-55DEG CMIN,125DEG CM
C633	2113945B02	CAP,CHIP,.01UF,+10%,-10%, 25V-DC,0402,X7R,-55DEG CMIN,125DEG CMA	C715	2113945C31	CAP,FXD,.1UF,+10%,-10%, 50V-DC,0603,X7R,-55DEG CMIN,125DEG CMAX	C744	2113955D37	CAP,FXD,10UF,+10%,-10%, 16V-DC,1206,X7R,-55DEG CMIN,125DEG CMAX	C768	2113944G97	CAP,FXD,.082UF,+5%,-10%, 50V-DC,1206,C0G,-55DEG CMIN,125DEG CMAX
C634	2113946B04	CAP,CHIP,.1UF,+10%,-10%, 10V-DC,0402,X5R,-55DEG CMIN,85DEG CMAX	C716	2113945C31	CAP,FXD,.1UF,+10%,-10%, 50V-DC,0603,X7R,-55DEG CMIN,125DEG CMAX	C747	2113944A44	CAP,CHIP,220PF,+5%,-10%, 50V-DC,0402,C0G,-55DEG CMIN,125DEG CMAX	C769	2113945C20	CAP,FXD,.016UF,+10%,-10%, 50V-DC,0603,X7R,-55DEG CMIN,125DEG CMA
C635	2113945B02	CAP,CHIP,.01UF,+10%,-10%, 25V-DC,0402,X7R,-55DEG CMIN,125DEG CMA	C717	2113945C31	CAP,FXD,.1UF,+10%,-10%, 50V-DC,0603,X7R,-55DEG CMIN,125DEG CMAX	C748	2113944A44	CAP,CHIP,220PF,+5%,-10%, 50V-DC,0402,C0G,-55DEG CMIN,125DEG CMAX	C770	2113944G97	CAP,FXD,.082UF,+5%,-10%, 50V-DC,1206,C0G,-55DEG CMIN,125DEG CMAX
C636	2113946B04	CAP,CHIP,.1UF,+10%,10%,10V-DC,0402,X5R,-55DEG CMIN,85DEG CMAX	C718	2113945C31	CAP,FXD,.1UF,+10%,-10%, 50V-DC,0603,X7R,-55DEG CMIN,125DEG CMAX	C749	2113945C31	CAP,FXD,.1UF,+10%,-10%, 50V-DC,0603,X7R,-55DEG CMIN,125DEG CMAX	C771	2113944A40	CAP,CHIP,100PF,+5%,-10%, 50V-DC,0402,C0G,-55DEG CMIN,125DEG CMAX
C637	2113946B04	CAP,CHIP,.1UF,+10%,10%,10V-DC,0402,X5R,-55DEG CMIN,85DEG CMAX	C719	2113945C31	CAP,FXD,.1UF,+10%,-10%, 50V-DC,0603,X7R,-55DEG CMIN,125DEG CMAX	C750	2113945C31	CAP,FXD,.1UF,+10%,-10%, 50V-DC,0603,X7R,-55DEG CMIN,125DEG CMAX	C775	2113945A09	CAP,CHIP,1000PF,+10%,-10%, 50V-DC,0402,X7R,-55DEG CMIN,125DEG CM
C638	2113945A12	CAP,CHIP,3300PF,+10%,-10%, 50V-DC,0402,X7R,-55DEG CMIN,125DEG CM	C724	2113955D37	CAP,FXD,10UF,+10%,-10%, 16V-DC,1206,X7R,-55DEG CMIN,125DEG CMAX	C752	2113945B02	CAP,CHIP,.01UF,+10%,-10%, 25V-DC,0402,X7R,-55DEG CMIN,125DEG CMA	C777	2113944A31	CAP,CHIP,33PF,+5%,-10%, 50V-DC,0402,C0G,-55DEG CMIN,125DEG CMAX,P
C639	2113945B02	CAP,CHIP,.01UF,+10%,-10%, 25V-DC,0402,X7R,-55DEG CMIN,125DEG CMA	C725	2113945C31	CAP,FXD,.1UF,+10%,-10%, 50V-DC,0603,X7R,-55DEG CMIN,125DEG CMAX	C754	2113944A34	CAP,CHIP,56PF,+5%,-10%, 50V-DC,0402,C0G,-55DEG CMIN,125DEG CMAX,P	C779	2113944A40	CAP,CHIP,100PF,+5%,-10%, 50V-DC,0402,C0G,-55DEG CMIN,125DEG CMAX
C640	2113946B04	CAP,CHIP,.1UF,+10%,-10%, 10V-DC,0402,X5R,-55DEG CMIN,85DEG CMAX	C726	2113945C31	CAP,FXD,.1UF,+10%,-10%, 50V-DC,0603,X7R,-55DEG CMIN,125DEG CMAX	C756	2113955D37	CAP,FXD,10UF,+10%,-10%, 16V-DC,1206,X7R,-55DEG CMIN,125DEG CMAX	C783	2113944C55	CAP,CHIP,2200PF,+5%,5%, 50V-DC,0603,C0G,-55DEG CMIN,125DEG CMAX
C641	2113944A31	CAP,CHIP,33PF,+5%,-10%, 50V-DC,0402,C0G,-55DEG CMIN,125DEG CMAX,P	C730	2113945C31	CAP,FXD,.1UF,+10%,-10%, 50V-DC,0603,X7R,-55DEG CMIN,125DEG CMAX	C757	2113945C31	CAP,FXD,.1UF,+10%,-10%, 50V-DC,0603,X7R,-55DEG CMIN,125DEG CMAX	C789	2113946B04	CAP,CHIP,.1UF,+10%,-10%, 10V-DC,0402,X5R,-55DEG CMIN,85DEG CMAX
C642	2113944A48	CAP,CHIP,470PF,+5%,-10%, 50V-DC,0402,C0G,-55DEG CMIN,125DEG CMAX	C731	2113945C31	CAP,FXD,.1UF,+10%,-10%, 50V-DC,0603,X7R,-55DEG CMIN,125DEG CMAX	C758	2113946B02	CAP,CHIP,.047UF,+10%,-10%, 10V-DC,0402,X5R,-55DEG CMIN,85DEG CMA	C790	2113946B04	CAP,CHIP,.1UF,+10%,-10%, 10V-DC,0402,X5R,-55DEG CMIN,85DEG CMAX
C643	2113944A48	CAP,CHIP,470PF,+5%,-10%, 50V-DC,0402,C0G,-55DEG CMIN,125DEG CMAX	C732	2113944A32	CAP,CHIP,39PF,+5%,-10%, 50V-DC,0402,C0G,-55DEG CMIN,125DEG CMAX,P	C759	2113945G95	CAP,FXD,.22UF,+10%,10%,50V-DC,0805,X7R,-55DEG CMIN,125DEG CMAX	C791	2113946B04	CAP,CHIP,.1UF,+10%,-10%, 10V-DC,0402,X5R,-55DEG CMIN,85DEG CMAX
C701	2113944A44	CAP,CHIP,220PF,+5%,-10%, 50V-DC,0402,C0G,-55DEG CMIN,125DEG CMAX	C734	2113945C31	CAP,FXD,.1UF,+10%,-10%, 50V-DC,0603,X7R,-55DEG CMIN,125DEG CMAX	C760	2113944G97	CAP,FXD,.082UF,+5%,-10%, 50V-DC,1206,C0G,-55DEG CMIN,125DEG CMAX	C792	2113946B04	CAP,CHIP,.1UF,+10%,-10%, 10V-DC,0402,X5R,-55DEG CMIN,85DEG CMAX
C702	2113944A44	CAP,CHIP,220PF,+5%,-10%, 50V-DC,0402,C0G,-55DEG CMIN,125DEG CMAX	C736	2113945B02	CAP,CHIP,.01UF,+10%,-10%, 25V-DC,0402,X7R,-55DEG CMIN,125DEG CMA	C762	2113945C26	CAP,FXD,.039UF,+10%,-10%, 50V-DC,0603,X7R,-55DEG CMIN,125DEG CMA	C794	2113944A32	CAP,CHIP,39PF,+5%,-10%, 50V-DC,0402,C0G,-55DEG CMIN,125DEG CMAX,P
C704	2113944A35	CAP,CHIP,62PF,+5%,-10%, 50V-DC,0402,C0G,-55DEG CMIN,125DEG CMAX,P	C737	2113945C31	CAP,FXD,.1UF,+10%,-10%, 50V-DC,0603,X7R,-55DEG CMIN,125DEG CMAX	C763	2113944G97	CAP,FXD,.082UF,+5%,-10%, 50V-DC,1206,C0G,-55DEG CMIN,125DEG CMAX	C795	2113944A40	CAP,CHIP,100PF,+5%,-10%, 50V-DC,0402,C0G,-55DEG CMIN,125DEG CMAX

Ref. Des.	Part Number	Description	Ref. Des.	Part Number	Description	Ref. Des.	Part Number	Description	Ref. Des.	Part Number	Description
C796	2113944A40	CAP,CHIP,100PF,+5%,-5% 50V-DC,0402,C0G,-55DEG CMIN,125DEG CMAX	C836	2113944A33	CAP,CHIP,47PF,+5%,-5% 50V-DC,0402,C0G,-55DEG CMIN,125DEG CMAX,P	C914	2113944M18	CAP,FXD,10PF,+2.5%,-2.5%,50V-DC,0603,C0G,-55DEG CMIN,125DEG CMA	C1003	2113945C02	CAP,CHIP,.01UF,+10%,-10%,50V-DC,0603,X7R,-55DEG CMIN,125DEG CMA
C797	2113944A40	CAP,CHIP,100PF,+5%,-5% 50V-DC,0402,C0G,-55DEG CMIN,125DEG CMAX	C838	2113945A09	CAP,CHIP,1000PF,+10%,-10%,50V-DC,0402,X7R,-55DEG CMIN,125DEG CM	C915	2113944C04	CAP,CHIP,330PF,+5%,-10%,50V-DC,0603,C0G,-55DEG CMIN,125DEG CMAX	C1004	2113944M30	CAP,FXD,33PF,+2%,-2%,50V-DC,0603,C0G,-55DEG CMIN,125DEG CMAX,PB
C798	2113945A09	CAP,CHIP,1000PF,+10%,-10%,50V-DC,0402,X7R,-55DEG CMIN,125DEG CM	C844	2113944A33	CAP,CHIP,47PF,+5%,-5% 50V-DC,0402,C0G,-55DEG CMIN,125DEG CMAX,P	C916	2113944M40	CAP,FXD,82PF,+2%,-2%,50V-DC,0603,C0G,-55DEG CMIN,125DEG CMAX,PB	C1005	2113944M30	CAP,FXD,33PF,+2%,-2%,50V-DC,0603,C0G,-55DEG CMIN,125DEG CMAX,PB
C799	2113944A40	CAP,CHIP,100PF,+5%,-5% 50V-DC,0402,C0G,-55DEG CMIN,125DEG CMAX	C851	2113944A44	CAP,CHIP,220PF,+5%,-5% 50V-DC,0402,C0G,-55DEG CMIN,125DEG CMAX	C918	2113944C04	CAP,CHIP,330PF,+5%,-10%,50V-DC,0603,C0G,-55DEG CMIN,125DEG CMAX	C1006	2113945C02	CAP,CHIP,.01UF,+10%,-10%,50V-DC,0603,X7R,-55DEG CMIN,125DEG CMA
C800	2113944A29	CAP,CHIP,22PF,+5%,-5% 50V-DC,0402,C0G,-55DEG CMIN,125DEG CMAX,P	C901	2113944M40	CAP,FXD,82PF,+2%,-2%,50V-DC,0603,C0G,-55DEG CMIN,125DEG CMAX,PB	C919	2113944M22	CAP,FXD,15PF,+2%,-2%,50V-DC,0603,C0G,-55DEG CMIN,125DEG CMAX,PB	C1007	2113944M30	CAP,FXD,33PF,+2%,-2%,50V-DC,0603,C0G,-55DEG CMIN,125DEG CMAX,PB
C801	2113944A21	CAP,CHIP,6.8PF,.5PF+/-,50V-DC,0402,C0G,-55DEG CMIN,125DEG CMAX	C902	2113944C04	CAP,CHIP,330PF,+5%,-5% 50V-DC,0603,C0G,-55DEG CMIN,125DEG CMAX	C920	2113742J10	CAP,FXD,39PF,+5%,-10%,50V-DC,SM,0805,-55DEG CMIN,125DEG CMAX,S	C1008	2113944M30	CAP,FXD,33PF,+2%,-2%,50V-DC,0603,C0G,-55DEG CMIN,125DEG CMAX,PB
C803	2113944A29	CAP,CHIP,22PF,+5%,-5% 50V-DC,0402,C0G,-55DEG CMIN,125DEG CMAX,P	C903	2113945L49	CAP,FXD,.01UF,+5%,-10%,50V-DC,0603,X7R,-55DEG CMIN,125DEG CMAX,P	C921	2113742J10	CAP,FXD,39PF,+5%,-10%,50V-DC,SM,0805,-55DEG CMIN,125DEG CMAX,S	C1009	2113944M30	CAP,FXD,33PF,+2%,-2%,50V-DC,0603,C0G,-55DEG CMIN,125DEG CMAX,PB
C804	2113944A40	CAP,CHIP,100PF,+5%,-5% 50V-DC,0402,C0G,-55DEG CMIN,125DEG CMAX	C904	2113944M36	CAP,FXD,56PF,+2%,-2%,50V-DC,0603,C0G,-55DEG CMIN,125DEG CMAX,PB	C922	2113944M29	CAP,FXD,30PF,+2%,-2%,50V-DC,0603,C0G,-55DEG CMIN,125DEG CMAX,PB	C1010	2113945C02	CAP,CHIP,.01UF,+10%,-10%,50V-DC,0603,X7R,-55DEG CMIN,125DEG CMA
C805	2113944A40	CAP,CHIP,100PF,+5%,-5% 50V-DC,0402,C0G,-55DEG CMIN,125DEG CMAX	C905	2113945L49	CAP,FXD,.01UF,+5%,-10%,50V-DC,0603,X7R,-55DEG CMIN,125DEG CMAX,P	C923	2113944M15	CAP,FXD,7.5PF,.1PF+/-,50V-DC,0603,C0G,-55DEG CMIN,125DEG CMAX	C1013	2113944M21	CAP,FXD,13PF,+2%,-2%,50V-DC,0603,C0G,-55DEG CMIN,125DEG CMAX,PB
C810	2113944A44	CAP,CHIP,220PF,+5%,-5% 50V-DC,0402,C0G,-55DEG CMIN,125DEG CMAX	C906	2113944C04	CAP,CHIP,330PF,+5%,-10%,50V-DC,0603,C0G,-55DEG CMIN,125DEG CMAX	C924	2113944M19	CAP,FXD,11PF,+2%,-2%,50V-DC,0603,C0G,-55DEG CMIN,125DEG CMAX,PB	C1015	2113944M30	CAP,FXD,33PF,+2%,-2%,50V-DC,0603,C0G,-55DEG CMIN,125DEG CMAX,PB
C813	2113944A63	CAP,FXD,1PF,.25PF+/-,50V-DC,0402,C0G,-55DEG CMIN,125DEG CMAX,P	C907	2113944C04	CAP,CHIP,330PF,+5%,-10%,50V-DC,0603,C0G,-55DEG CMIN,125DEG CMAX	C925	2113944C04	CAP,CHIP,330PF,+5%,-10%,50V-DC,0603,C0G,-55DEG CMIN,125DEG CMAX	C1018	2113944M30	CAP,FXD,33PF,+2%,-2%,50V-DC,0603,C0G,-55DEG CMIN,125DEG CMAX,PB
C814	2113945A09	CAP,CHIP,1000PF,+10%,-10%,50V-DC,0402,X7R,-55DEG CMIN,125DEG CM	C908	2113944C04	CAP,CHIP,330PF,+5%,-10%,50V-DC,0603,C0G,-55DEG CMIN,125DEG CMAX	C928	2113944M23	CAP,FXD,16PF,+2%,-2%,50V-DC,0603,C0G,-55DEG CMIN,125DEG CMAX,PB	C1019	21009257001	CAP,CER,18PF,50V-DC,-55DEG CMIN,125DEG CMAX,0805 18 PF ACCU
C816	2113944A31	CAP,CHIP,33PF,+5%,-5% 50V-DC,0402,C0G,-55DEG CMIN,125DEG CMAX,P	C909	2113944C04	CAP,CHIP,330PF,+5%,-10%,50V-DC,0603,C0G,-55DEG CMIN,125DEG CMAX	C929	2113945A12	CAP,CHIP,3300PF,+10%,-10%,50V-DC,0402,X7R,-55DEG CMIN,125DEG CM	C1020	2113944C11	CAP,CHIP,1.6PF,.25PF+/-,50V-DC,0603,C0G,-55DEG CMIN,125DEG CMA
C820	2113944A44	CAP,CHIP,220PF,+5%,-5% 50V-DC,0402,C0G,-55DEG CMIN,125DEG CMAX	C910	2113944C23	CAP,CHIP,5.1PF,.5PF+/-,50V-DC,0603,C0G,-55DEG CMIN,125DEG CMAX	C930	2113945A12	CAP,CHIP,3300PF,+10%,-10%,50V-DC,0402,X7R,-55DEG CMIN,125DEG CM	C1021	2113944C23	CAP,CHIP,5.1PF,.5PF+/-,50V-DC,0603,C0G,-55DEG CMIN,125DEG CMAX
C830	2113944A44	CAP,CHIP,220PF,+5%,-5% 50V-DC,0402,C0G,-55DEG CMIN,125DEG CMAX	C911	2113945L49	CAP,FXD,.01UF,+5%,-10%,50V-DC,0603,X7R,-55DEG CMIN,125DEG CMAX,P	C1001	2113944M30	CAP,FXD,33PF,+2%,-2%,50V-DC,0603,C0G,-55DEG CMIN,125DEG CMAX,PB	C1022	2113944M30	CAP,FXD,33PF,+2%,-2%,50V-DC,0603,C0G,-55DEG CMIN,125DEG CMAX,PB
C831	2113944A40	CAP,CHIP,100PF,+5%,-5% 50V-DC,0402,C0G,-55DEG CMIN,125DEG CMAX	C913	2113944M29	CAP,FXD,30PF,+2%,-2%,50V-DC,0603,C0G,-55DEG CMIN,125DEG CMAX,PB	C1002	2113944C22	CAP,CHIP,4.7PF,.25PF+/-,50V-DC,0603,C0G,-55DEG CMIN,125DEG CMA	C1023	2113944M24	CAP,FXD,18PF,+2%,-2%,50V-DC,0603,C0G,-55DEG CMIN,125DEG CMAX,PB

Ref. Des.	Part Number	Description	Ref. Des.	Part Number	Description	Ref. Des.	Part Number	Description	Ref. Des.	Part Number	Description
C1024	2113945A12	CAP,CHIP,3300PF,+10%,-10%, 50V-DC,0402,X7R,-55DEG CMIN, 125DEG CM	C1118	2113945B02	CAP,CHIP,.01UF,+10%,-10%, 25V-DC,0402,X7R,-55DEG CMIN, 125DEG CMA	C1141	2113945Y02	CAP,FXD,.1UF,+10%,-10%,16V-DC,0402,X7R,-55DEG CMIN, 125DEG CMAX	C1305	2113944A26	CAP,CHIP,12PF,+5%,-10%, 50V-DC,0402,C0G,-55DEG CMIN, 125DEG CMAX,P
C1025	2113945A12	CAP,CHIP,3300PF,+10%,-10%, 50V-DC,0402,X7R,-55DEG CMIN, 125DEG CM	C1119	2113945B02	CAP,CHIP,.01UF,+10%,-10%, 25V-DC,0402,X7R,-55DEG CMIN, 125DEG CMA	C1142	2113945A09	CAP,CHIP,1000PF,+10%,-10%, 50V-DC,0402,X7R,-55DEG CMIN, 125DEG CM	C1306	2113944A17	CAP,CHIP,4.7PF,.25PF+/-,50V-DC,0402,C0G,-55DEG CMIN, 125DEG CMA
C1101	2113945B02	CAP,CHIP,.01UF,+10%,-10%, 25V-DC,0402,X7R,-55DEG CMIN, 125DEG CMA	C1120	2113945B02	CAP,CHIP,.01UF,+10%,-10%, 25V-DC,0402,X7R,-55DEG CMIN, 125DEG CMA	C1149	2113944A40	CAP,CHIP,100PF,+5%,-10%,50V-DC,0402,C0G,-55DEG CMIN, 125DEG CMAX	C1307	2113944A26	CAP,CHIP,12PF,+5%,-10%,50V-DC, 0402,C0G,-55DEG CMIN, 125DEG CMAX,P
C1102	2188468Y01	CAP,CHIP,1UF,+10%,-10%,25V-DC,0805,X7R	C1122	2175390H01	CAP,CER,2.2PF,50V-DC,C0G, CAP, 2.2 PF,0402, CERAMIC, 50V	C1150	2175392H01	CAP,CER,1.2PF,50V-DC,C0G, CAP,1.2PF, 0402, CERAMIC, 50V	C1308	2113944A28	CAP,CHIP,18PF,+5%,-10%,50V-DC,0402,C0G,-55DEG CMIN,125DEG CMAX,P
C1103	2113945B02	CAP,CHIP,.01UF,+10%,-10%, 25V-DC,0402,X7R,-55DEG CMIN,125DEG CMA	C1123	2113945B02	CAP,CHIP,.01UF,+10%,-10%, 25V-DC,0402,X7R,-55DEG CMIN, 125DEG CMA	C1203	2113944M19	CAP,FXD,11PF,+2%,-2%, 50V-DC, 0603,C0G,-55DEG CMIN,125DEG CMAX,PB	C1309	2175389H01	CAP,.5PF,CAP,.5PF, CHIP, 0402, CERAMIC, 50 V
C1105	2113944A19	CAP,CHIP,5.6PF,.5PF+/-,50V-DC, 0402,C0G,-55DEG CMIN,125DEG CMAX	C1124	2113945A13	CAP,CHIP,4700PF,+10%,-10%, 50V-DC,0402,X7R,-55DEG CMIN, 125DEG CM	C1204	2113944M13	CAP,FXD,6.2PF,.1PF+/-,50V-DC, 0603,C0G,-55DEG CMIN,125DEG CMAX	C1411	2113944C36	CAP,CHIP,33PF,+5%,-10%,50V-DC,0603,C0G,-55DEG CMIN, 125DEG CMAX,P
C1106	2113945B02	CAP,CHIP,.01UF,+10%,-10%, 25V-DC,0402,X7R,-55DEG CMIN, 125DEG CMA	C1126	2113945A09	CAP,CHIP,1000PF,+10%,-10%, 50V-DC,0402,X7R,-55DEG CMIN, 125DEG CM	C1207	2113944M27	CAP,FXD,24PF,+2%,-2%,50V-DC, 0603,C0G,-55DEG CMIN,125DEG CMAX,PB	C1413	2113944C62	CAP,FXD,.75PF,.1PF+/-,50V-DC, 0603,C0G,-55DEG CMIN,125DEG CMAX
C1107	2113944A40	CAP,CHIP,100PF,+5%,-10%, 50V-DC,0402,C0G,-55DEG CMIN, 125DEG CMAX	C1127	2113945Y02	CAP,FXD,.1UF,+10%,-10%,16V-DC,0402,X7R,-55DEG CMIN, 125DEG CMAX	C1220	2113944M16	CAP,FXD,8.2PF,.1PF+/-,50V-DC, 0603,C0G,-55DEG CMIN,125DEG CMAX	C1414	2113944C63	CAP,FXD,1PF,.1PF+/-,50V-DC, 0603,C0G,-55DEG CMIN,125DEG CMAX,PB
C1108	2113946B03	CAP,CHIP,.068UF,+10%,-10%, 10V-DC,0402,X5R,-55DEG CMIN, 85DEG CMA	C1128	2113945B02	CAP,CHIP,.01UF,+10%,-10%, 25V-DC,0402,X7R,-55DEG CMIN, 125DEG CMA	C1221	2113944M27	CAP,FXD,24PF,+2%,-2%,50V-DC, 0603,C0G,-55DEG CMIN,125DEG CMAX,PB	C1418	2113944C13	CAP,CHIP,2PF,.25PF+/-,50V-DC, 0603,C0G,-55DEG CMIN,125DEG CMAX
C1109	2113944A40	CAP,CHIP,100PF,+5%,-10%,50V-DC,0402,C0G,-55DEG CMIN, 125DEG CMAX	C1129	2113945B02	CAP,CHIP,.01UF,+10%,-10%, 25V-DC,0402,X7R,-55DEG CMIN, 125DEG CMA	C1222	2113944C04	CAP,CHIP,330PF,+5%,-10%,50V-DC,0603,C0G,-55DEG CMIN, 125DEG CMAX	C1424	2113944C61	CAP,FXD,.5PF,.1PF+/-,50V-DC, 0603,C0G,-55DEG CMIN,125DEG CMAX,P
C1110	2113944A40	CAP,CHIP,100PF,+5%,-10%,50V-DC,0402,C0G,-55DEG CMIN, 125DEG CMAX	C1130	2113945B02	CAP,CHIP,.01UF,+10%,-10%, 25V-DC,0402,X7R,-55DEG CMIN, 125DEG CMA	C1226	2113944M11	CAP,FXD,5.1PF,.1PF+/-,50V-DC, 0603,C0G,-55DEG CMIN,125DEG CMAX	C1425	2113944C61	CAP,FXD,.5PF,.1PF+/-,50V-DC, 0603,C0G,-55DEG CMIN,125DEG CMAX,P
C1111	2113945Y02	CAP,FXD,.1UF,+10%,-10%,16V-DC,0402,X7R,-55DEG CMIN, 125DEG CMAX	C1134	2113945B02	CAP,CHIP,.01UF,+10%,-10%, 25V-DC,0402,X7R,-55DEG CMIN, 125DEG CMA	C1227	2113944M17	CAP,FXD,9.1PF,.1PF+/-,50V-DC, 0603,C0G,-55DEG CMIN,125DEG CMAX	D200	4813978A19	DIODE,RECT,MBR120,SM,SOD-123,1A,20V,SHTK,PB-FREE
C1112	2113945B01	CAP,CHIP,6800PF,+10%,-10%, 25V-DC,0402,X7R,-55DEG CMIN, 125DEG CM	C1137	2113945B04	CAP,FXD,.022UF,+10%,-10%, 25V-DC,0402,X7R,-55DEG CMIN, 125DEG CMA	C1301	2113944M20	CAP,FXD,12PF,+2%,-2%,50V-DC, 0603,C0G,-55DEG CMIN,125DEG CMAX,PB	D722	4815011H01	DIODE,SWG,SM,300MA,80V,TRP
C1113	2113945B02	CAP,CHIP,.01UF,+10%,-10%,25V-DC,0402,X7R,-55DEG CMIN, 125DEG CMA	C1138	2113945B04	CAP,FXD,.022UF,+10%,-10%, 25V-DC,0402,X7R,-55DEG CMIN, 125DEG CMA	C1302	2114036F74	CAP,FXD,1.8PF,.05PF+/-,25V-DC, C0G,-55DEG CMIN,125DEG CMAX,PB-	D723	4815011H01	DIODE,SWG,SM,300MA,80V,TRP
C1116	2113945Y02	CAP,FXD,.1UF,+10%,-10%,16V-DC,0402,X7R,-55DEG CMIN, 125DEG CMAX	C1139	2113944A25	CAP,CHIP,10PF,.5PF+/-,50V-DC, 0402,C0G,-55DEG CMIN,125DEG CMAX	C1303	2113944A26	CAP,CHIP,12PF,+5%,-10%,50V-DC,0402,C0G,-55DEG CMIN, 125DEG CMAX,P	E200	2405688Z01	IDCTR,BEAD,FERR BEAD
C1117	2113945A12	CAP,CHIP,3300PF,+10%,-10%, 50V-DC,0402,X7R,-55DEG CMIN, 125DEG CM	C1140	2113945A13	CAP,CHIP,4700PF,+10%,-10%, 50V-DC,0402,X7R,-55DEG CMIN, 125DEG CM	C1304	2113945A09	CAP,CHIP,1000PF,+10%,-10%, 50V-DC,0402,X7R,-55DEG CMIN, 125DEG CM	E201	2405688Z01	IDCTR,BEAD,FERR BEAD
									E301	2480640Z01	CHIP INDUCTOR,BEAD, SUR MT FERR BEAD
									E401	2480640Z01	CHIP INDUCTOR,BEAD, SUR MT FERR BEAD
									E402	2480640Z01	CHIP INDUCTOR,BEAD, SUR MT FERR BEAD
									E501	2480640Z01	CHIP INDUCTOR,BEAD, SUR MT FERR BEAD

Ref. Des.	Part Number	Description	Ref. Des.	Part Number	Description	Ref. Des.	Part Number	Description	Ref. Des.	Part Number	Description
L1114	2475394H01	IDCTR,COIL,11NH,2%,.14OHM, SM,INDUCTOR, 11NH, 0402	Q402	4813973M75	XSTR,BIP GP SS,PNP, BC858, SOT-563,SMT,-30V, .357W, -100MA,100MHZ	R101	0613952R01	RES,MF,10KOHM,5%,.0625W,SM ,0402,200PPM/CEL, PB-FREE	R413	0613952Q11	RES,MF,2.7OHM,5%,.0625W,SM, 0402,200PPM/CEL, PB-FREE
L1203	2460591D81	IDCTR,AW,43NH,HI Q REELED SUR MT AIR WOUND	Q403	4813973M75	XSTR,BIP GP SS,PNP, BC858, SOT-563,SMT,-30V, .357W, -100MA,100MHZ	R103	0613952R01	RES,MF,10KOHM,5%,.0625W,SM ,0402,200PPM/CEL, PB-FREE	R501	0613952Q42	RES,MF,51OHM,5%,.0625W,SM, 0402,200PPM/CEL, PB-FREE
L1209	2460591D81	IDCTR,AW,43NH,HI Q REELED SUR MT AIR WOUND	Q501	4813973M75	XSTR,BIP GP SS,PNP, BC858, SOT-563,SMT,-30V, .357W, -100MA,100MHZ	R201	0613952R25	RES,MF,100KOHM,5%,.0625W, SM,0402,200PPM/CEL, PB-FREE	R502	0613952Q45	RES,MF,68OHM,5%,.0625W,SM, 0402,200PPM/CEL, PB-FREE
L1211	2460591D81	IDCTR,AW,43NH,HI Q REELED SUR MT AIR WOUND	Q503	4885316E32	XSTR,BIP RF SML SGNL, SLCN, BFR380F,SM,SMT,6V,380W,80A, 14MHZ,TR	R202	0613952Q89	RES,MF,4700,5,.0625,SM,0402, 200,PB-FREE	R503	0613952R10	RES,MF,24KOHM,5%,.0625W,SM ,0402,200PPM/CEL, PB-FREE
L1301	2488090Y10	IDCTR,CHIP,5.6NH,5%,300MA, CER,SM,0402,MULAY PB FREE	Q601	4813973A04	XSTR,BIP GP SS,NPN, TA13, SM,SOT-23,SMT,30V, .225W, 300MA, 125MHZ,P	R301	0613952R22	RES,MF,75KOHM,5%,.0625W,SM ,0402,200PPM/CEL, PB-FREE	R504	0613952Q85	RES,MF,3.3KOHM,5%,.0625W, SM, 0402,200PPM/CEL,PB-FREE
L1302	2488090Y25	IDCTR,CHIP,100NH,5%,90MA, CER,SM,0402,MULAY PB FREE	Q703	4813973M75	XSTR,BIP GP SS,PNP, BC858, SOT-563,SMT,-30V, .357W, -100MA,100MHZ	R302	0613952R27	RES,MF,120KOHM,5%,.0625W, SM,0402,200PPM/CEL, PB-FREE	R505	0613952R31	RES,MF,180KOHM,5%,.0625W, SM,0402,200PPM/CEL, PB-FREE
L1303	2414017P16	IDCTR,CHIP,18NH,5%,300MA, .76OHM,CER,9 Q,1.9GHZ SRF, SM,0402,P	Q712	4813973M75	XSTR,BIP GP SS,PNP, BC858, SOT-563,SMT,-30V, .357W, -100MA,100MHZ	R303	0613952R01	RES,MF,10KOHM,5%,.0625W,SM ,0402,200PPM/CEL, PB-FREE	R506	0613952Q53	RES,MF,150OHM,5%,.0625W,SM, 0402,200PPM/CEL, PB-FREE
L1305	2475391H01	IDCTR,VW,18NH,2%,.27OHM, INDUCTOR, 18 NH, CHIP, 0402, 2	Q713	4805585Q32	XSTR,BIP RF SML SGNL, NPN ,NE662M04,SM,SOT-343,3.3V, TRANSITO	R304	0613952Q37	RES,MF,33OHM,5%,.0625W,SM, 0402,200PPM/CEL, PB-FREE	R507	0613952Q83	RES,MF,2.7KOHM,5%,.0625W, SM,0402,200PPM/CEL, PB-FREE
L1401	2415428H02	IDCTR,AW,2.55NH,5%,1.6A,AIR,3 TURNS,SM,AIR WOUND IDCTR	Q714	4889394V04	XSTR,FET GEN PURPOSE SMALL SIG,MOSFET,N-CH, ENHN,SM,20V,.25W,P	R305	0613952Q89	RES,MF,4700,5,.0625,SM,0402, 200,PB-FREE	R508	0613952Q29	RES,MF,15OHM,5%,.0625W,SM, 0402,200PPM/CEL, PB-FREE
L1408	2460591A11	COIL AIR WOUND INDUC 7.66	Q774	4885061Y01	XSTR,BIP RF SMALL SIGNAL	R306	0613952Q25	RES,MF,10,5,.0625,SM,0402,200, PB-FREE	R509	0613952Q25	RES,MF,10,5,.0625,SM,0402,200, PB-FREE
L1410	2460591A11	COIL AIR WOUND INDUC 7.66	Q842	4805585Q32	XSTR,BIP RF SML SGNL,NPN, NE662M04,SM,SOT-343,3.3V, TRANSITO	R307	0613952Q13	RES,MF,3.3OHM,5%,.0625W,SM, 0402,200PPM/CEL, PB-FREE	R511	0613952Q11	RES,MF,2.7OHM,5%,.0625W,SM, 0402,200PPM/CEL, PB-FREE
M101	2871616H01	CONN,N/A,GLD, CONNECTOR, BPLUS	Q901	5185633C81	AMP MDL,PAMP,MODULE, RING, XSTR,FET RF POWER, VHF	R401	0613952R09	RES,MF,22000,5,.0625,SM,0402, 200,PB-FREE	R597	0613952R66	RES,MF,0OHM,5%,.0625W,SM, 0402,PB-FREE
M103	3987977Y04	CONT,CONN,1CONT,ANT UNIV 4.5MM,UC 1.8	Q1001	5185633C83	AMP MDL,MODULE,RING, XSTR, FET RF PWR,7/800MH	R402	0613952R23	RES,MF,82KOHM,5%,.0625W,SM ,0402,200PPM/CEL ,PB-FREE	R601	0613952Q41	RES,MF,47OHM,5%,.0625W,SM, 0402,200PPM/CEL, PB-FREE
M105	3987977Y04	CONT,CONN,1CONT,ANT UNIV 4.5MM,UC 1.8	Q1101	4813973A32	XSTR,BIP GP SS,NPN,SM, SC-70,SMT,50V,.202W, 100MA,PB-FREE	R403	0613952Q85	RES,MF,3.3KOHM,5%,.0625W, SM,0402,200PPM/CEL,PB-FREE	R602	0613952Q63	RES,MF,390OHM,5%,.0625W,SM, 0402,200PPM/CEL, PB-FREE
P101	2887818K05	RECTANGULAR CONNECTOR, STKNG,2 ROW,RCPT,40CONT, .5MM,GLD,VERT	Q1102	4813973A32	XSTR,BIP GP SS,NPN,SM, SC-70,SMT,50V,.202W, 100MA,PB-FREE	R404	0613952Q45	RES,MF,68OHM,5%,.0625W,SM, 0402,200PPM/CEL, PB-FREE	R603	0613952R25	RES,MF,100KOHM,5%,.0625W, SM,0402,200PPM/CEL, PB-FREE
Q201	4813970A59	XSTR,FET GP PWR,P-CH, ENHN,SM,SOT-23,20V, .4W,PB-FREE	Q1103	4813970A59	XSTR,FET GP PWR,P-CH, ENHN,SM,SOT-23,20V, .4W,PB-FREE	R405	0613952Q25	RES,MF,10,5,.0625,SM,0402,200, PB-FREE	R604	0613952Q63	RES,MF,390OHM,5%,.0625W,SM, 0402,200PPM/CEL, PB-FREE
Q202	4813973A32	XSTR,BIP GP SS,NPN, SM, SC-70,SMT,50V, .202W, 100MA,PB-FREE	Q1104	4813970A59	XSTR,FET GP PWR,P-CH, ENHN,SM,SOT-23,20V, .4W,PB-FREE	R406	0613952Q11	RES,MF,2.7OHM,5%,.0625W,SM, 0402,200PPM/CEL, PB-FREE	R605	0613952R01	RES,MF,10KOHM,5%,.0625W,SM ,0402,200PPM/CEL, PB-FREE
Q301	4813973A32	XSTR,BIP GP SS,NPN,SM, SC-70,SMT,50V,.202W, 100MA,PB-FREE				R407	0613952R09	RES,MF,22000,5,.0625,SM,0402, 200,PB-FREE	R606	0613952R01	RES,MF,10KOHM,5%,.0625W,SM ,0402,200PPM/CEL, PB-FREE
Q302	4813973M75	XSTR,BIP GP SS,PNP, BC858, SOT-563,SMT,-30V, .357W, -100MA,100MHZ				R408	0613952R23	RES,MF,82KOHM,5%,.0625W,SM ,0402,200PPM/CEL, PB-FREE	R607	0613952R25	RES,MF,100KOHM,5%,.0625W, SM,0402,200PPM/CEL, PB-FREE
Q401	4813973A32	XSTR,BIP GP SS,NPN,SM, SC-70,SMT,50V,.202W, 100MA,PB-FREE				R409	0613952Q85	RES,MF,3.3KOHM,5%,.0625W, SM,0402,200PPM/CEL, PB-FREE	R608	0613952R01	RES,MF,10KOHM,5%,.0625W,SM ,0402,200PPM/CEL, PB-FREE
						R410	0613952Q45	RES,MF,68OHM,5%,.0625W,SM, 0402,200PPM/CEL, PB-FREE	R609	0613952Q81	RES,MF,2200,5,.0625,SM,0402, 200,PB-FREE
						R411	0613952Q25	RES,MF,10,5,.0625,SM,0402,200, PB-FREE	R610	0613952R25	RES,MF,100KOHM,5%,.0625W, SM,0402,200PPM/CEL, PB-FREE
						R412	0613952Q11	RES,MF,2.7OHM,5%,.0625W,SM, 0402,200PPM/CEL, PB-FREE	R611	0613952R01	RES,MF,10KOHM,5%,.0625W,SM ,0402,200PPM/CEL, PB-FREE

Ref. Des.	Part Number	Description	Ref. Des.	Part Number	Description	Ref. Des.	Part Number	Description	Ref. Des.	Part Number	Description
R1139	0613952R25	RES,MF,100KOHM,5%,.0625W,SM,0402,200PPM/CEL, PB-FREE	R1172	0613952Q89	RES,MF,4700,5,.0625,SM,0402,200,PB-FREE	T503	2575851B01	XFMR,BALUN,RF XFMR BALUN	U605	5164852H16	IC,TRANSLATING,2PER PKG,LVC2T45, TRANSCEIVER W/ VOLTAGE TRANSLATI
R1140	0613952R25	RES,MF,100KOHM,5%,.0625W,SM,0402,200PPM/CEL, PB-FREE	R1174	0613952R01	RES,MF,10KOHM,5%,.0625W,SM,0402,200PPM/CEL, PB-FREE	T504	2575851B01	XFMR,BALUN,RF XFMR BALUN	U606	5164852H16	IC,TRANSLATING,2PER PKG,LVC2T45,TRANSCEIVER W/ VOLTAGE TRANSLATI
R1141	0613952R42	RES,MF,510KOHM,5%,.0625W,SM,0402,200PPM/CEL, PB-FREE	R1175	0613952R66	RES,MF,0OHM,5%,.0625W,SM,0402,PB-FREE	U101	5105443X07	IC, 32KBIT AND 64KBIT SERIAL SPI BUS EEPROMSWITH HIGH SPEED CLOCK	U607	5186311J24	IC,BFR,1PER PKG, NC7SZ125, ACTIVE HIGH,BFR,3ST,SM,5.5
R1142	0613952R25	RES,MF,100KOHM,5%,.0625W,SM,0402,200PPM/CEL, PB-FREE	R1176	0613952Q73	RES,MF,1KOHM,5%,.0625W,SM,0402,200PPM/CEL, PB-FREE	U200	5188493T01	IC,VREG/SWG,LP2989, SM,MINI SO-8 HI PRCN REG 5V	U702	5164015H28	IC,CUST,MULTI PROTOCOL/ BAND TRANSCVR IC,SM,BGA, TRIDENT, INTEG
R1143	0613952R25	RES,MF,100KOHM,5%,.0625W,SM,0402,200PPM/CEL, PB-FREE	R1177	0613952R66	RES,MF,0OHM,5%,.0625W,SM,0402,PB-FREE	U201	5175771A99	IC,LNR V REGLTR,FXD, 100MA,VFBGA,LOW NOISE,100MA LINEAR REGL	U703	5175772B06	IC,SERIAL INTERFACE I/O EXPANDER,QFN,24BITS,28-PORT I/O EXPA
R1144	0613952R25	RES,MF,100KOHM,5%,.0625W,SM,0402,200PPM/CEL, PB-FREE	R1178	0613952R01	RES,MF,10KOHM,5%,.0625W,SM,0402,200PPM/CEL, PB-FREE	U202	5175772B02	IC,LNR V REGLTR,FXD, 1.8V,100MA,VFBGA, LINEAR REGLTR 100MA 1.8	U708	5171972L01	IC,SW,SP3T RF SW
R1145	0613952R25	RES,MF,100KOHM,5%,.0625W,SM,0402,200PPM/CEL, PB-FREE	R1179	0613952R66	RES,MF,0OHM,5%,.0625W,SM,0402,PB-FREE	U203	5175772B01	IC,LNR V REGLTR, FXD,1.5V,350MA,VFBGA,LINEAR V REGLTR 350MA	U709	5171972L01	IC,SW,SP3T RF SW
R1146	0613952R25	RES,MF,100KOHM,5%,.0625W,SM,0402,200PPM/CEL, PB-FREE	R1180	0613952R66	RES,MF,0OHM,5%,.0625W,SM,0402,PB-FREE	U302	4885316E32	XSTR,BIP RF SML SGNL, SLCN,BFR380F,SM,SMT,6V,380W,80A,14MHZ,TR	U710	5171972L01	IC,SW,SP3T RF SW
R1151	0613952R01	RES,MF,10KOHM,5%,.0625W,SM,0402,200PPM/CEL, PB-FREE	R1182	0613952R01	RES,MF,10KOHM,5%,.0625W,SM,0402,200PPM/CEL, PB-FREE	U402	5180428L15	SW,RF SWITCH,SPDT,SMT,6W,3V	U711	5171972L01	IC,SW,SP3T RF SW
R1152	0613952R01	RES,MF,10KOHM,5%,.0625W,SM,0402,200PPM/CEL, PB-FREE	R1183	0613952Q73	RES,MF,1KOHM,5%,.0625W,SM,0402,200PPM/CEL, PB-FREE	U403	5180428L15	SW,RF SWITCH,SPDT, SMT, 6W,3V	U746	4805218N63	XSTR,GEN PURPOSE SMALL SIG,SOT-323, BROADBAND AND XSTR
R1154	0613952R01	RES,MF,10KOHM,5%,.0625W,SM,0402,200PPM/CEL, PB-FREE	R1184	0613952Q81	RES,MF,2200,5,.0625,SM,0402,200,PB-FREE	U404	5180428L15	SW,RF SWITCH,SPDT,SMT,6W,3V	U901	5175143H01	IC,WIDE SPLY RANGE OP AMP
R1160	0613952R03	RES,MF,12000,5,.0625,SM,0402,200,PB-FREE	R1304	0613952R66	RES,MF,0OHM,5%,.0625W,SM,0402,PB-FREE	U405	5180428L15	SW,RF SWITCH,SPDT, SMT,6W,3V	U902	5115678H01	IC,RF AMPLIFIER,SM, TSSOP16EP,30MHZMIN,941MHZ MAX,VHF/UHF/800/
R1161	0613952R01	RES,MF,10KOHM,5%,.0625W,SM,0402,200PPM/CEL, PB-FREE	R1307	0613952Q73	RES,MF,1KOHM,5%,.0625W,SM,0402,200PPM/CEL, PB-FREE	U406	4885316E32	XSTR,BIP RF SML SGNL, SLCN,BFR380F,SM,SMT, 6V,380W,80A,14MHZ,TR	U1001	5175143H01	IC,WIDE SPLY RANGE OP AMP
R1162	0613952R29	RES,MF,150KOHM,5%,.0625W,SM,0402,200PPM/CEL, PB-FREE	SH1	2675871B01	SHIELD	U407	4885316E32	XSTR,BIP RF SML SGNL, SLCN,BFR380F,SM,SMT,6V,380W,80A,14MHZ,TR	U1002	5115678H01	IC,RF AMPLIFIER,SM, TSSOP16EP,30MHZMIN,941MHZ MAX,VHF/UHF/800/
R1163	0613952R01	RES,MF,10KOHM,5%,.0625W,SM,0402,200PPM/CEL, PB-FREE	SH2	2675872B01	SHLD,STL,SN PLT,SHIELD, XTAL	U408	5103535B53	IC,INVTR,DL,NC7WZ04L6X,2PER PKG,SC70	U1101	5188032U43	IC,SENSING CIRCUIT, INA138, SM,SOT-23/5,1PER PKG,PB FREE
R1164	0613952R01	RES,MF,10KOHM,5%,.0625W,SM,0402,200PPM/CEL, PB-FREE	SH3	2675873B01	SHIELD,ABACUS	U501	5180428L15	SW,RF SWITCH,SPDT, SMT,6W,3V	U1102	5175772B03	RF SWITCH,RF SWITCH,10W, RECONFIGURABLE 10W SP5T/3T RF SWITC
R1165	0613952Q56	RES,MF,200OHM,5%,.0625W,SM,0402,200PPM/CEL, PB-FREE	SH4	2675878B01	SHLD,STL,SN PLT,SHIELD, FRNT END	U502	5103535B53	IC,INVTR,DL,NC7WZ04L6X,2PER PKG,SC70	U1103	5185070Y01	IC,TEMP SENS
R1166	0613952Q56	RES,MF,200OHM,5%,.0625W,SM,0402,200PPM/CEL, PB-FREE	SH5	2675879B01	SHLD,STL,SN PLT,SHIELD, DRVR PA	U506	5164852H82	IC,MXR,IC, MIXER/ BFR	U1104	5185941F56	IC,OP AMP,1PER PKG, RAIL-RAIL,SOIC,IC SNGL LV LP OP AMP
R1167	0613952R01	RES,MF,10KOHM,5%,.0625W,SM,0402,200PPM/CEL, PB-FREE	SH6	2675876B01	SHLD,STL,SN PLT,SHIELD, VCO	U601	5102495J14	IC,IF,IF DIGITILIZING SUBSYSTEM IC AD9864, QFN	U1105	5180390L83	IC,CNTRLR,SM,1PER PKG
R1168	0613952R66	RES,MF,0OHM,5%,.0625W,SM,0402,PB-FREE	SH7	2675874B01	SHLD,STL,SN PLT,SHIELD, MXR	U602	4885316E32	XSTR,BIP RF SML SGNL, SLCN,BFR380F,SM,SMT,6V,380W,80A,14MHZ,TR	U1106	5175772B05	IC,LTC5532ES6,SOT-23, 1PER PKG,PRCN RF DET
R1169	0613952P52	RES,MF,340KOHM,1%,.0625W,SM,0402,200PPM/CEL, PB-FREE	SH8	2675932B01	SHLD,SHIELD, 2ND LO VCO	U603	5109522E84	IC,DL SCHT TRIG MICRO PAK	U1109	5114007M32	IC,OR,2PER PKG,SM, US8,PB-FREE
R1170	0613952P01	RES,MF,100KOHM,1%,.0625W,SM,0402,200PPM/CEL, PB-FREE	SH9	2675934B01	SHLD,SHIELD, DC	U604	5109522E84	IC,DL SCHT TRIG MICRO PAK	U1110	5180428L15	SW,RF SWITCH,SPDT,SMT, 6W,3V
R1171	0613952R66	RES,MF,0OHM,5%,.0625W,SM,0402,PB-FREE	SH10	2675859B01	SHLD,STL,SN PLT,SHIELD, OUT MATCH						
			SH11	2675877B01	SHLD,STL,SN PLT,SHIELD, ALC						
			SH12	2675933B01	SHLD,SHIELD, IF AMP						
			SH13	2675870B01	SHLD,STL,SN PLT,SHIELD, HAR FLTR						
			SH14	2671905H01	SHLD,CAN,SHIELD, REGLTR						

Ref. Des.	Part Number	Description
U1111	5175771A26	IC,SW,50OHM,CMOS FET SW SPDT, 10WATTS
U1112	5175772B04	IC,HMC468LP3E,QFN,1 DB LSB GAAS MMIC ATTEN
U1113	5185941F56	IC,OP AMP,1PER PKG, RAIL-RAIL,SOIC,IC SNGL LV LP OP AMP
U1114	5185941F56	IC,OP AMP,1PER PKG, RAIL-RAIL,SOIC,IC SNGL LV LP OP AMP
U1116	5109522E93	GATE,OR,SN74LVC1G32YZPR, 1PER PKG,SM,2 INPUT IN NANO PKG
U1117	5103535B53	IC,INVTR,DL,NC7WZ04L6X, 2PER PKG,SC70
U1118	5188085K11	IC,NAND,SINGLE 2 INPUT, SN74LVC1G00YZPR,SM,GATE, POS, 5 DSBGA,
U1119	5186311J53	IC,AND,DUAL 2-INPUT AND GATE,NC7WZ08, 2PER PKG,SM, MSOP
U1121	5114000B52	IC,XOR,LOGIC LEVEL SHIFTER, 1PER PKG,SM, SOT-353,PB-FREE
U1122	5180428L15	SW,RF SWITCH,SPDT, SMT,6W, 3V
U1123	5188085K11	IC,NAND,SINGLE 2 INPUT, SN74LVC1G00YZPR,SM,GATE, POS, 5 DSBGA,
U1125	5175206H01	IC,DAC,W/ 5 PPM/C INT REF
U1126	5109817F77	IC,COMPTR,LMV7275,SC70-5
U1127	5171779H01	IC,ANLG SW,SC70,SC70-6,1PER PKG,SPDT ANLG SW
U1128	5188085K11	IC,NAND,SINGLE 2 INPUT, SN74LVC1G00YZPR,SM,GATE, POS, 5 DSBGA,
U1129	5175143H01	IC,WIDE SPLY RANGE OP AMP
U1130	5175143H01	IC,WIDE SPLY RANGE OP AMP
U1131	5109817F77	IC,COMPTR,LMV7275,SC70-5
U1132	5114007M28	IC,D FLIP-FLOP,1PER PKG, 17SZ74,N-I,SM,SOIC8,PB-FREE
U1133	5171779H01	IC,ANLG SW,SC70,SC70-6, 1PER PKG,SPDT ANLG SW
U1136	5109522E94	GATE,AND,1PER PKG,SM, 2 INPUT IN NANO PKG

Ref. Des.	Part Number	Description
U1137	5164852H16	IC,TRANSLATING,2PER PKG, LVC2T45, TRANSCEIVER W/ VOLTAGE TRANSLATI
U1138	5164852H16	IC,TRANSLATING,2PER PKG, LVC2T45, TRANSCEIVER W/ VOLTAGE TRANSLATI
U1139	5164852H16	IC,TRANSLATING,2PER PKG, LVC2T45, TRANSCEIVER W/ VOLTAGE TRANSLATI
U1140	5171779H01	IC,ANLG SW,SC70,SC70-6, 1PER PKG,SPDT ANLG SW
U1141	5185941F56	IC,OP AMP,1PER PKG, RAIL-RAIL,SOIC,IC SNGL LV LP OP AMP
U1142	5185941F56	IC,OP AMP,1PER PKG, RAIL-RAIL,SOIC,IC SNGL LV LP OP AMP
U1143	5185941F56	IC,OP AMP,1PER PKG, RAIL-RAIL,SOIC,IC SNGL LV LP OP AMP
U1144	5171779H01	IC,ANLG SW,SC70,SC70-6, 1PER PKG,SPDT ANLG SW
U1145	5171779H01	IC,ANLG SW,SC70,SC70-6, 1PER PKG,SPDT ANLG SW
U1146	5109522E93	GATE,OR,SN74LVC1G32YZPR, 1PER PKG,SM,2 INPUT IN NANO PKG
U1147	5109522E94	GATE,AND,1PER PKG,SM, 2 INPUT IN NANO PKG
U1148	5185941F56	IC,OP AMP,1PER PKG, RAIL-RAIL,SOIC,IC SNGL LV LP OP AMP
U1304	5105739X13	IC,AMP,SIGE,QFN,QFN,18DB, 1.57GHZMIN,1.57GHZMAX,.9DB, SIGE GPS LO
VR101	4813977M29	DIODE,ZEN,MBZ5250,SM,SOT-23,ZEN,PB-FREE
VR200	4813977M29	DIODE,ZEN,MBZ5250,SM,SOT-23,ZEN,PB-FREE
VR601	4805656W87	DIODE,VCTR, @ 15V, 1SV279, SOD-523/SC-79,SOD-523/SC-79
VR602	4805656W87	DIODE,VCTR, @ 15V,1SV279, SOD-523/SC-79,SOD-523/SC-79
Y701	4871886H01	OSC,VO,16.8 MHZ VCTXO .8PPM
Y704	5164852H68	OSC,VOLTAGE CONTROLLED, 411MHZ MAX,270MHZ MIN,SM, M9LX7WX2.5H,I

Ref. Des.	Part Number	Description
Y706	5164852H65	OSC,VOLTAGE CONTROLLED, 886MHZ MAX,741MHZ MIN,SM, M9LX7WX2.5H,I
Y707	5164852H67	OSC,VOLTAGE CONTROLLED, 824MHZ MAX,245MHZ MIN,SM, M9LX7WX2.5H,I

**MNUR4001D VHF/700–800 MHz Transceiver
(RF) Board Parts List**

Ref. Des.	Part Number	Description
C101	2113944A46	CAP,CHIP,330PF,+5%,-10%, 50V-DC,0402,C0G,-55DEG CMIN,125DEG CMAX
C200	2113945B02	CAP,CHIP,.01UF,+10%,-10%, 25V-DC,0402,X7R,-55DEG CMIN,125DEG CMA
C201	2188468Y01	CAP,CHIP,1UF,+10%,-10%, 25V-DC,0805,X7R
C202	2188468Y01	CAP,CHIP,1UF,+10%,-10%, 25V-DC,0805,X7R
C203	2188468Y01	CAP,CHIP,1UF,+10%,-10%, 25V-DC,0805,X7R
C204	2113955D35	CAP,FXD,4.7UF,+10%,-10%, 16V-DC,1206,X7R,-55DEG CMIN,125DEG CMAX
C205	2113955D35	CAP,FXD,4.7UF,+10%,-10%, 16V-DC,1206,X7R,-55DEG CMIN,125DEG CMAX
C206	2113945B02	CAP,CHIP,.01UF,+10%,-10%, 25V-DC,0402,X7R,-55DEG CMIN,125DEG CMA
C207	2113956B91	CAP,FXD,1UF,+10%,10%,16V-DC,0603,X5R,-55DEG CMIN,85DEG CMAX,PB
C208	2113956B91	CAP,FXD,1UF,+10%,10%,16V-DC,0603,X5R,-55DEG CMIN,85DEG CMAX,PB
C209	2113956B91	CAP,FXD,1UF,+10%,10%,16V-DC,0603,X5R,-55DEG CMIN,85DEG CMAX,PB
C210	2113956B91	CAP,FXD,1UF,+10%,10%,16V-DC,0603,X5R,-55DEG CMIN,85DEG CMAX,PB
C212	2113946D07	CAP,CHIP,4.7UF,+10%,10%,6.3V-DC,0603,X5R,-55DEG CMIN,85DEG CMA
C213	2113944A46	CAP,CHIP,330PF,+5%,-10%, 50V-DC,0402,C0G,-55DEG CMIN,125DEG CMAX
C214	2113944A31	CAP,CHIP,33PF,+5%,-10%,50V-DC,0402,C0G,-55DEG CMIN,125DEG CMAX,P
C215	2113944A46	CAP,CHIP,330PF,+5%,-10%, 50V-DC,0402,C0G,-55DEG CMIN,125DEG CMAX

Ref. Des.	Part Number	Description
C216	2113944A31	CAP,CHIP,33PF,+5%,-10%, 50V-DC,0402,C0G,-55DEG CMIN,125DEG CMAX,P
C217	2113956B91	CAP,FXD,1UF,+10%,-10%, 16V-DC,0603,X5R,-55DEG CMIN,85DEG CMAX,PB
C301	2113944A30	CAP,CHIP,27PF,+5%,-10%, 50V-DC,0402,C0G,-55DEG CMIN,125DEG CMAX,P
C302	2113944A28	CAP,CHIP,18PF,+5%,-10%, 50V-DC,0402,C0G,-55DEG CMIN,125DEG CMAX,P
C303	2113944A28	CAP,CHIP,18PF,+5%,-10%, 50V-DC,0402,C0G,-55DEG CMIN,125DEG CMAX,P
C304	2113944A81	CAP,FXD,24PF,+5%,-10%, 50V-DC,0402,C0G,-55DEG CMIN,125DEG CMAX,PB
C305	2113944A17	CAP,CHIP,4.7PF,.25PF+/-,50V-DC,0402,C0G,-55DEG CMIN,125DEG CMA
C306	2113944A35	CAP,CHIP,62PF,+5%,-10%, 50V-DC,0402,C0G,-55DEG CMIN,125DEG CMAX,P
C307	2113944A18	CAP,CHIP,5.1PF,.5PF+/-,50V-DC,0402,C0G,-55DEG CMIN,125DEG CMAX
C308	2113944A30	CAP,CHIP,27PF,+5%,-10%, 50V-DC,0402,C0G,-55DEG CMIN,125DEG CMAX,P
C310	2113946D07	CAP,CHIP,4.7UF,+10%,-10%, 6.3V-DC,0603,X5R,-55DEG CMIN,85DEG CMA
C311	2113944A29	CAP,CHIP,22PF,+5%,-10%, 50V-DC,0402,C0G,-55DEG CMIN,125DEG CMAX,P
C312	2113944A46	CAP,CHIP,330PF,+5%,-10%, 50V-DC,0402,C0G,-55DEG CMIN,125DEG CMAX
C313	2113944A46	CAP,CHIP,330PF,+5%,-10%, 50V-DC,0402,C0G,-55DEG CMIN,125DEG CMAX
C314	2113946D07	CAP,CHIP,4.7UF,+10%,-10%, 6.3V-DC,0603,X5R,-55DEG CMIN,85DEG CMA
C315	2113944A46	CAP,CHIP,330PF,+5%,-10%, 50V-DC,0402,C0G,-55DEG CMIN,125DEG CMAX

Ref. Des.	Part Number	Description
C316	0613952Q25	RES,MF,10,5,.0625,SM,0402,200,PB-FREE
C317	2175389H01	CAP,.5PF,CAP,.5PF,CHIP,0402,CERAMIC,50V
C318	2113944A30	CAP,CHIP,27PF,+5%,-10%, 50V-DC,0402,C0G,-55DEG CMIN,125DEG CMAX,P
C319	2113944A28	CAP,CHIP,18PF,+5%,-10%, 50V-DC,0402,C0G,-55DEG CMIN,125DEG CMAX,P
C320	2113944A27	CAP,CHIP,15PF,+5%,-10%, 50V-DC,0402,C0G,-55DEG CMIN,125DEG CMAX,P
C321	2113944A28	CAP,CHIP,18PF,+5%,-10%, 50V-DC,0402,C0G,-55DEG CMIN,125DEG CMAX,P
C322	2113944A30	CAP,CHIP,27PF,+5%,-10%, 50V-DC,0402,C0G,-55DEG CMIN,125DEG CMAX,P
C323	2113944A30	CAP,CHIP,27PF,+5%,-10%, 50V-DC,0402,C0G,-55DEG CMIN,125DEG CMAX,P
C324	2113944A19	CAP,CHIP,5.6PF,.5PF+/-,50V-DC,0402,C0G,-55DEG CMIN,125DEG CMAX
C325	2113944A84	CAP,FXD,43PF,+5%,-10%, 50V-DC,0402,C0G,-55DEG CMIN,125DEG CMAX,PB
C326	2113944A21	CAP,CHIP,6.8PF,.5PF+/-,50V-DC,0402,C0G,-55DEG CMIN,125DEG CMAX
C327	2113944A28	CAP,CHIP,18PF,+5%,-10%, 50V-DC,0402,C0G,-55DEG CMIN,125DEG CMAX,P
C402	2113944A31	CAP,CHIP,33PF,+5%,-10%, 50V-DC,0402,C0G,-55DEG CMIN,125DEG CMAX,P
C404	2113944A31	CAP,CHIP,33PF,+5%,-10%, 50V-DC,0402,C0G,-55DEG CMIN,125DEG CMAX,P
C405	2113944A31	CAP,CHIP,33PF,+5%,-10%, 50V-DC,0402,C0G,-55DEG CMIN,125DEG CMAX,P
C406	2113944A31	CAP,CHIP,33PF,+5%,-10%, 50V-DC,0402,C0G,-55DEG CMIN,125DEG CMAX,P
C407	2113944A31	CAP,CHIP,33PF,+5%,-10%, 50V-DC,0402,C0G,-55DEG CMIN,125DEG CMAX,P

Ref. Des.	Part Number	Description
C408	0613952R66	RES,MF,00HM,5%,.0625W,SM,0402,PB-FREE
C409	0613952R66	RES,MF,00HM,5%,.0625W,SM,0402,PB-FREE
C410	0613952R66	RES,MF,00HM,5%,.0625W,SM,0402,PB-FREE
C411	0613952R66	RES,MF,00HM,5%,.0625W,SM,0402,PB-FREE
C412	2113944A27	CAP,CHIP,15PF,+5%,-10%, 50V-DC,0402,C0G,-55DEG CMIN,125DEG CMAX,P
C413	2113944A33	CAP,CHIP,47PF,+5%,-10%, 50V-DC,0402,C0G,-55DEG CMIN,125DEG CMAX,P
C414	0613952R66	RES,MF,00HM,5%,.0625W,SM,0402,PB-FREE
C415	0613952R66	RES,MF,00HM,5%,.0625W,SM,0402,PB-FREE
C416	2113944A31	CAP,CHIP,33PF,+5%,-10%, 50V-DC,0402,C0G,-55DEG CMIN,125DEG CMAX,P
C417	2113944A31	CAP,CHIP,33PF,+5%,-10%, 50V-DC,0402,C0G,-55DEG CMIN,125DEG CMAX,P
C418	2113944A31	CAP,CHIP,33PF,+5%,-10%, 50V-DC,0402,C0G,-55DEG CMIN,125DEG CMAX,P
C419	2113944A31	CAP,CHIP,33PF,+5%,-10%, 50V-DC,0402,C0G,-55DEG CMIN,125DEG CMAX,P
C421	2113946D07	CAP,CHIP,4.7UF,+10%,-10%, 6.3V-DC,0603,X5R,-55DEG CMIN,85DEG CMA
C422	2113944A31	CAP,CHIP,33PF,+5%,-10%, 50V-DC,0402,C0G,-55DEG CMIN,125DEG CMAX,P
C423	2113944A21	CAP,CHIP,6.8PF,.5PF+/-,50V-DC,0402,C0G,-55DEG CMIN,125DEG CMAX
C424	2113944A31	CAP,CHIP,33PF,+5%,-10%, 50V-DC,0402,C0G,-55DEG CMIN,125DEG CMAX,P
C425	2113944A12	CAP,CHIP,3PF,.25PF+/-,50V-DC,0402,C0G,-55DEG CMIN,125DEG CMAX
C426	2113944A63	CAP,FXD,1PF,.25PF+/-,50V-DC,0402,C0G,-55DEG CMIN,125DEG CMAX,P

Ref. Des.	Part Number	Description	Ref. Des.	Part Number	Description	Ref. Des.	Part Number	Description	Ref. Des.	Part Number	Description
C427	2113946D07	CAP,CHIP,4.7UF,+10%,-10%, 6.3V-DC,0603,X5R,-55DEG CMIN,85DEG CMA	C511	2113944A40	CAP,CHIP,100PF,+5%,-10%, 50V- DC,0402,C0G,-55DEG CMIN, 125DEG CMAX	C527	2113944V07	CAP,FXD,1.5PF,.1PF+/-,50V- DC,0402,C0G,-55DEG CMIN, 125DEG CMAX	C615	2113944A42	CAP,CHIP,150PF,+5%,-10%, 50V- DC,0402,C0G,-55DEG CMIN, 125DEG CMAX
C428	2113946D07	CAP,CHIP,4.7UF,+10%,-10%, 6.3V-DC,0603,X5R,-55DEG CMIN,85DEG CMA	C512	2113944A31	CAP,CHIP,33PF,+5%,-10%, 50V- DC,0402,C0G,-55DEG CMIN, 125DEG CMAX,P	C599	2113944A40	CAP,CHIP,100PF,+5%,-10%, 50V- DC,0402,C0G,-55DEG CMIN, 125DEG CMAX	C616	2113945A11	CAP,CHIP,2200PF,+10%,-10%, 50V-DC,0402,X7R,-55DEG CMIN, 125DEG CM
C429	2113944A31	CAP,CHIP,33PF,+5%,-10%, 50V- DC,0402,C0G,-55DEG CMIN, 125DEG CMAX,P	C513	2113944A40	CAP,CHIP,100PF,+5%,-10%, 50V- DC,0402,C0G,-55DEG CMIN, 125DEG CMAX	C601	2113945B02	CAP,CHIP,.01UF,+10%,-10%, 25V- DC,0402,X7R,-55DEG CMIN, 125DEG CMA	C617	2113946B04	CAP,CHIP,.1UF,+10%,-10%, 10V- DC,0402,X5R,-55DEG CMIN, 85DEG CMAX
C430	2113944A21	CAP,CHIP,6.8PF,.5PF+/-,50V- DC,0402,C0G,-55DEG CMIN, 125DEG CMAX	C514	2113944A84	CAP,FXD,43PF,+5%,-10%, 50V- DC,0402,C0G,-55DEG CMIN, 125DEG CMAX,PB	C602	2113945B02	CAP,CHIP,.01UF,+10%,-10%, 25V- DC,0402,X7R,-55DEG CMIN, 125DEG CMA	C618	2113944A31	CAP,CHIP,33PF,+5%,-10%, 50V- DC,0402,C0G,-55DEG CMIN, 125DEG CMAX,P
C431	2113944A31	CAP,CHIP,33PF,+5%,-10%, 50V- DC,0402,C0G,-55DEG CMIN, 125DEG CMAX,P	C515	2113944A21	CAP,CHIP,6.8PF,.5PF+/-,50V- DC,0402,C0G,-55DEG CMIN, 125DEG CMAX	C603	2113945B02	CAP,CHIP,.01UF,+10%,-10%, 25V- DC,0402,X7R,-55DEG CMIN, 125DEG CMA	C619	2113944A35	CAP,CHIP,62PF,+5%,-10%, 50V- DC,0402,C0G,-55DEG CMIN, 125DEG CMAX,P
C432	2113944A12	CAP,CHIP,3PF,.25PF+/-,50V- DC,0402,C0G,-55DEG CMIN, 125DEG CMAX	C516	2113944A11	CAP,CHIP,2.7PF,.25PF+/-,50V- DC,0402,C0G,-55DEG CMIN, 125DEG CMA	C604	2113945B02	CAP,CHIP,.01UF,+10%,-10%, 25V- DC,0402,X7R,-55DEG CMIN, 125DEG CMA	C620	2113946B04	CAP,CHIP,.1UF,+10%,-10%, 10V- DC,0402,X5R,-55DEG CMIN, 85DEG CMAX
C433	2113944A61	CAP,FXD,.5PF,.25PF+/-,50V- DC,0402,C0G,-55DEG CMIN, 125DEG CMAX	C517	2113946B04	CAP,CHIP,.1UF,+10%,-10%, 10V- DC,0402,X5R,-55DEG CMIN, 85DEG CMAX	C605	2113944A15	CAP,CHIP,3.9PF,.25PF+/-,50V- DC,0402,C0G,-55DEG CMIN, 125DEG CMA	C621	2113946B04	CAP,CHIP,.1UF,+10%,-10%, 10V- DC,0402,X5R,-55DEG CMIN, 85DEG CMAX
C434	2113946D07	CAP,CHIP,4.7UF,+10%,-10%, 6.3V-DC,0603,X5R,-55DEG CMIN,85DEG CMA	C518	2113945A09	CAP,CHIP,1000PF,+10%,-10%, 50V-DC,0402,X7R,-55DEG CMIN, 125DEG CM	C606	2113946B04	CAP,CHIP,.1UF,+10%,-10%, 10V- DC,0402,X5R,-55DEG CMIN, 85DEG CMAX	C622	2113946C07	CAP,FXD,.33UF,+10%,10%,10V- DC,0603,X5R,-55DEG CMIN, 85DEG CMAX
C502	2113945A09	CAP,CHIP,1000PF,+10%,-10%, 50V-DC,0402,X7R,-55DEG CMIN,125DEG CM	C519	2113944A28	CAP,CHIP,18PF,+5%,-10%, 50V- DC,0402,C0G,-55DEG CMIN, 125DEG CMAX,P	C607	2113944A40	CAP,CHIP,100PF,+5%,-10%, 50V- DC,0402,C0G,-55DEG CMIN, 125DEG CMAX	C623	2113945B02	CAP,CHIP,.01UF,+10%,10%,25V- DC,0402,X7R,-55DEG CMIN, 125DEG CMA
C503	2113944V13	CAP,FXD,2.7PF,.1PF+/-,50V- DC,0402,C0G,-55DEG CMIN, 125DEG CMAX	C520	2113945A09	CAP,CHIP,1000PF,+10%,-10%, 50V-DC,0402,X7R,-55DEG CMIN, 125DEG CM	C608	2113944A12	CAP,CHIP,3PF,.25PF+/-,50V- DC,0402,C0G,-55DEG CMIN, 125DEG CMAX	C624	2113946C07	CAP,FXD,.33UF,+10%,-10%, 10V- DC,0603,X5R,-55DEG CMIN, 85DEG CMAX
C504	2113944A40	CAP,CHIP,100PF,+5%,-10%, 50V- DC,0402,C0G,-55DEG CMIN, 125DEG CMAX	C521	2113945A09	CAP,CHIP,1000PF,+10%,-10%, 50V-DC,0402,X7R,-55DEG CMIN, 125DEG CM	C609	2113944A30	CAP,CHIP,27PF,+5%,-10%, 50V- DC,0402,C0G,-55DEG CMIN, 125DEG CMAX,P	C625	2113944A28	CAP,CHIP,18PF,+5%,-10%, 50V- DC,0402,C0G,-55DEG CMIN, 125DEG CMAX,P
C505	2113946B04	CAP,CHIP,.1UF,+10%,-10%, 10V- DC,0402,X5R,-55DEG CMIN, 85DEG CMAX	C522	2113944A27	CAP,CHIP,15PF,+5%,-10%, 50V- DC,0402,C0G,-55DEG CMIN, 125DEG CMAX,P	C610	2113944A40	CAP,CHIP,100PF,+5%,-10%, 50V- DC,0402,C0G,-55DEG CMIN, 125DEG CMAX	C626	2113945A09	CAP,CHIP,1000PF,+10%,-10%, 50V-DC,0402,X7R,-55DEG CMIN, 125DEG CM
C506	2113946B04	CAP,CHIP,.1UF,+10%,-10%, 10V- DC,0402,X5R,-55DEG CMIN, 85DEG CMAX	C523	2113944A48	CAP,CHIP,470PF,+5%,-10%, 50V- DC,0402,C0G,-55DEG CMIN, 125DEG CMAX	C611	2113944A40	CAP,CHIP,100PF,+5%,-10%, 50V- DC,0402,C0G,-55DEG CMIN, 125DEG CMAX	C627	2113945A09	CAP,CHIP,1000PF,+10%,-10%, 50V-DC,0402,X7R,-55DEG CMIN, 125DEG CM
C507	2113944A44	CAP,CHIP,220PF,+5%,-10%, 50V- DC,0402,C0G,-55DEG CMIN, 125DEG CMAX	C524	2113944A30	CAP,CHIP,27PF,+5%,-10%, 50V- DC,0402,C0G,-55DEG CMIN, 125DEG CMAX,P	C612	2113945B02	CAP,CHIP,.01UF,+10%,-10%, 25V- DC,0402,X7R,-55DEG CMIN, 125DEG CMA	C628	2113945B02	CAP,CHIP,.01UF,+10%,-10%, 25V- DC,0402,X7R,-55DEG CMIN, 125DEG CMA
C508	2113945A09	CAP,CHIP,1000PF,+10%,-10%, 50V-DC,0402,X7R,-55DEG CMIN, 125DEG CM	C525	2113944A13	CAP,CHIP,3.3PF,.25PF+/-,50V- DC,0402,C0G,-55DEG CMIN, 125DEG CMA	C613	2113944A40	CAP,CHIP,100PF,+5%,-10%, 50V- DC,0402,C0G,-55DEG CMIN, 125DEG CMAX	C629	2113946B04	CAP,CHIP,.1UF,+10%,-10%, 10V- DC,0402,X5R,-55DEG CMIN, 85DEG CMAX
C509	2113945A09	CAP,CHIP,1000PF,+10%,-10%, 50V-DC,0402,X7R,-55DEG CMIN, 125DEG CM	C526	2113944V13	CAP,FXD,2.7PF,.1PF+/-,50V- DC,0402,C0G,-55DEG CMIN, 125DEG CMAX	C614	2113945B02	CAP,CHIP,.01UF,+10%,-10%, 25V- DC,0402,X7R,-55DEG CMIN, 125DEG CMA	C630	2113946B04	CAP,CHIP,.1UF,+10%,-10%, 10V- DC,0402,X5R,-55DEG CMIN, 85DEG CMAX

Ref. Des.	Part Number	Description	Ref. Des.	Part Number	Description	Ref. Des.	Part Number	Description	Ref. Des.	Part Number	Description
C631	2113944A27	CAP,CHIP,15PF,+5%,-10%, 50V-DC,0402,C0G,-55DEG CMIN, 125DEG CMAX,P	C705	2113944A44	CAP,CHIP,220PF,+5%,-10%, 50V-DC,0402,C0G,-55DEG CMIN, 125DEG CMAX	C739	2113944A25	CAP,CHIP,10PF,.5PF+/-,50V-DC,0402,C0G,-55DEG CMIN, 125DEG CMAX	C765	2113944G97	CAP,FXD,.082UF,+5%,-10%, 50V-DC,1206,C0G,-55DEG CMIN, 125DEG CMAX
C632	2113944A40	CAP,CHIP,100PF,+5%,-10%, 50V-DC,0402,C0G,-55DEG CMIN, 125DEG CMAX	C709	2113944A44	CAP,CHIP,220PF,+5%,-10%, 50V-DC,0402,C0G,-55DEG CMIN, 125DEG CMAX	C742	2113945C31	CAP,FXD,.1UF,+10%,-10%, 50V-DC,0603,X7R,-55DEG CMIN, 125DEG CMAX	C766	2113945C01	CAP,CHIP,6800PF,+10%,-10%, 50V-DC,0603,X7R,-55DEG CMIN, 125DEG CM
C633	2113945B02	CAP,CHIP,.01UF,+10%,-10%, 25V-DC,0402,X7R,-55DEG CMIN, 125DEG CMA	C715	2113945C31	CAP,FXD,.1UF,+10%,-10%, 50V-DC,0603,X7R,-55DEG CMIN, 125DEG CMAX	C744	2113955D37	CAP,FXD,10UF,+10%,-10%, 16V-DC,1206,X7R,-55DEG CMIN, 125DEG CMAX	C768	2113944G97	CAP,FXD,.082UF,+5%,-10%, 50V-DC,1206,C0G,-55DEG CMIN, 125DEG CMAX
C634	2113946B04	CAP,CHIP,.1UF,+10%,-10%, 10V-DC,0402,X5R,-55DEG CMIN, 85DEG CMAX	C716	2113945C31	CAP,FXD,.1UF,+10%,-10%, 50V-DC,0603,X7R,-55DEG CMIN, 125DEG CMAX	C747	2113944A44	CAP,CHIP,220PF,+5%,-10%, 50V-DC,0402,C0G,-55DEG CMIN, 125DEG CMAX	C769	2113945C20	CAP,FXD,.016UF,+10%,-10%, 50V-DC,0603,X7R,-55DEG CMIN, 125DEG CMA
C635	2113945B02	CAP,CHIP,.01UF,+10%,-10%, 25V-DC,0402,X7R,-55DEG CMIN, 125DEG CMA	C717	2113945C31	CAP,FXD,.1UF,+10%,-10%, 50V-DC,0603,X7R,-55DEG CMIN, 125DEG CMAX	C748	2113944A44	CAP,CHIP,220PF,+5%,-10%, 50V-DC,0402,C0G,-55DEG CMIN, 125DEG CMAX	C770	2113944G97	CAP,FXD,.082UF,+5%,-10%, 50V-DC,1206,C0G,-55DEG CMIN, 125DEG CMAX
C636	2113946B04	CAP,CHIP,.1UF,+10%,10%,10V-DC,0402,X5R,-55DEG CMIN, 85DEG CMAX	C718	2113945C31	CAP,FXD,.1UF,+10%,-10%, 50V-DC,0603,X7R,-55DEG CMIN, 125DEG CMAX	C749	2113945C31	CAP,FXD,.1UF,+10%,-10%, 50V-DC,0603,X7R,-55DEG CMIN, 125DEG CMAX	C771	2113944A40	CAP,CHIP,100PF,+5%,-10%, 50V-DC,0402,C0G,-55DEG CMIN, 125DEG CMAX
C637	2113946B04	CAP,CHIP,.1UF,+10%,10%,10V-DC,0402,X5R,-55DEG CMIN, 85DEG CMAX	C719	2113945C31	CAP,FXD,.1UF,+10%,-10%, 50V-DC,0603,X7R,-55DEG CMIN, 125DEG CMAX	C750	2113945C31	CAP,FXD,.1UF,+10%,-10%, 50V-DC,0603,X7R,-55DEG CMIN, 125DEG CMAX	C775	2113945A09	CAP,CHIP,1000PF,+10%,-10%, 50V-DC,0402,X7R,-55DEG CMIN, 125DEG CM
C638	2113945A12	CAP,CHIP,3300PF,+10%,-10%, 50V-DC,0402,X7R,-55DEG CMIN, 125DEG CM	C724	2113955D37	CAP,FXD,10UF,+10%,-10%, 16V-DC,1206,X7R,-55DEG CMIN, 125DEG CMAX	C752	2113945B02	CAP,CHIP,.01UF,+10%,-10%, 25V-DC,0402,X7R,-55DEG CMIN, 125DEG CMA	C777	2113944A31	CAP,CHIP,33PF,+5%,-10%, 50V-DC,0402,C0G,-55DEG CMIN, 125DEG CMAX,P
C639	2113945B02	CAP,CHIP,.01UF,+10%,-10%, 25V-DC,0402,X7R,-55DEG CMIN, 125DEG CMA	C725	2113945C31	CAP,FXD,.1UF,+10%,-10%, 50V-DC,0603,X7R,-55DEG CMIN, 125DEG CMAX	C754	2113944A34	CAP,CHIP,56PF,+5%,-10%, 50V-DC,0402,C0G,-55DEG CMIN, 125DEG CMAX,P	C779	2113944A40	CAP,CHIP,100PF,+5%,-10%, 50V-DC,0402,C0G,-55DEG CMIN, 125DEG CMAX
C640	2113946B04	CAP,CHIP,.1UF,+10%,-10%, 10V-DC,0402,X5R,-55DEG CMIN, 85DEG CMAX	C726	2113945C31	CAP,FXD,.1UF,+10%,-10%, 50V-DC,0603,X7R,-55DEG CMIN, 125DEG CMAX	C756	2113955D37	CAP,FXD,10UF,+10%,-10%, 16V-DC,1206,X7R,-55DEG CMIN, 125DEG CMAX	C783	2113944C55	CAP,CHIP,2200PF,+5%,5%, 50V-DC,0603,C0G,-55DEG CMIN, 125DEG CMAX
C641	2113944A31	CAP,CHIP,33PF,+5%,-10%, 50V-DC,0402,C0G,-55DEG CMIN, 125DEG CMAX,P	C730	2113945C31	CAP,FXD,.1UF,+10%,-10%, 50V-DC,0603,X7R,-55DEG CMIN, 125DEG CMAX	C757	2113945C31	CAP,FXD,.1UF,+10%,-10%, 50V-DC,0603,X7R,-55DEG CMIN, 125DEG CMAX	C789	2113946B04	CAP,CHIP,.1UF,+10%,-10%, 10V-DC,0402,X5R,-55DEG CMIN, 85DEG CMAX
C642	2113944A48	CAP,CHIP,470PF,+5%,-10%, 50V-DC,0402,C0G,-55DEG CMIN, 125DEG CMAX	C731	2113945C31	CAP,FXD,.1UF,+10%,-10%, 50V-DC,0603,X7R,-55DEG CMIN, 125DEG CMAX	C758	2113946B02	CAP,CHIP,.047UF,+10%,-10%, 10V-DC,0402,X5R,-55DEG CMIN, 85DEG CMA	C790	2113946B04	CAP,CHIP,.1UF,+10%,-10%, 10V-DC,0402,X5R,-55DEG CMIN, 85DEG CMAX
C643	2113944A48	CAP,CHIP,470PF,+5%,-10%, 50V-DC,0402,C0G,-55DEG CMIN, 125DEG CMAX	C732	2113944A32	CAP,CHIP,39PF,+5%,-10%, 50V-DC,0402,C0G,-55DEG CMIN, 125DEG CMAX,P	C759	2113945G95	CAP,FXD,.22UF,+10%,10%,50V-DC,0805,X7R,-55DEG CMIN, 125DEG CMAX	C791	2113946B04	CAP,CHIP,.1UF,+10%,-10%, 10V-DC,0402,X5R,-55DEG CMIN, 85DEG CMAX
C701	2113944A44	CAP,CHIP,220PF,+5%,-10%, 50V-DC,0402,C0G,-55DEG CMIN, 125DEG CMAX	C734	2113945C31	CAP,FXD,.1UF,+10%,-10%, 50V-DC,0603,X7R,-55DEG CMIN, 125DEG CMAX	C760	2113944G97	CAP,FXD,.082UF,+5%,-10%, 50V-DC,1206,C0G,-55DEG CMIN, 125DEG CMAX	C792	2113946B04	CAP,CHIP,.1UF,+10%,-10%, 10V-DC,0402,X5R,-55DEG CMIN, 85DEG CMAX
C702	2113944A44	CAP,CHIP,220PF,+5%,-10%, 50V-DC,0402,C0G,-55DEG CMIN, 125DEG CMAX	C736	2113945B02	CAP,CHIP,.01UF,+10%,-10%, 25V-DC,0402,X7R,-55DEG CMIN, 125DEG CMA	C762	2113945C26	CAP,FXD,.039UF,+10%,-10%, 50V-DC,0603,X7R,-55DEG CMIN, 125DEG CMA	C794	2113944A32	CAP,CHIP,39PF,+5%,-10%, 50V-DC,0402,C0G,-55DEG CMIN, 125DEG CMAX,P
C704	2113944A35	CAP,CHIP,62PF,+5%,-10%, 50V-DC,0402,C0G,-55DEG CMIN, 125DEG CMAX,P	C737	2113945C31	CAP,FXD,.1UF,+10%,-10%, 50V-DC,0603,X7R,-55DEG CMIN, 125DEG CMAX	C763	2113944G97	CAP,FXD,.082UF,+5%,-10%, 50V-DC,1206,C0G,-55DEG CMIN, 125DEG CMAX	C795	2113944A40	CAP,CHIP,100PF,+5%,-10%, 50V-DC,0402,C0G,-55DEG CMIN, 125DEG CMAX

Ref. Des.	Part Number	Description	Ref. Des.	Part Number	Description	Ref. Des.	Part Number	Description	Ref. Des.	Part Number	Description
C796	2113944A40	CAP,CHIP,100PF,+5%,-5% 50V-DC,0402,C0G,-55DEG CMIN,125DEG CMAX	C836	2113944A33	CAP,CHIP,47PF,+5%,-5% 50V-DC,0402,C0G,-55DEG CMIN,125DEG CMAX,P	C914	2113944M18	CAP,FXD,10PF,+2.5%,-2.5%,50V-DC,0603,C0G,-55DEG CMIN,125DEG CMA	C1003	2113945C02	CAP,CHIP,.01UF,+10%,-10%,50V-DC,0603,X7R,-55DEG CMIN,125DEG CMA
C797	2113944A40	CAP,CHIP,100PF,+5%,-5% 50V-DC,0402,C0G,-55DEG CMIN,125DEG CMAX	C838	2113945A09	CAP,CHIP,1000PF,+10%,-10%,50V-DC,0402,X7R,-55DEG CMIN,125DEG CM	C915	2113944C04	CAP,CHIP,330PF,+5%,-10%,50V-DC,0603,C0G,-55DEG CMIN,125DEG CMAX	C1004	2113944M30	CAP,FXD,33PF,+2%,-2%,50V-DC,0603,C0G,-55DEG CMIN,125DEG CMAX,PB
C798	2113945A09	CAP,CHIP,1000PF,+10%,-10%,50V-DC,0402,X7R,-55DEG CMIN,125DEG CM	C844	2113944A33	CAP,CHIP,47PF,+5%,-5% 50V-DC,0402,C0G,-55DEG CMIN,125DEG CMAX,P	C916	2113944M40	CAP,FXD,82PF,+2%,-2%,50V-DC,0603,C0G,-55DEG CMIN,125DEG CMAX,PB	C1005	2113944M30	CAP,FXD,33PF,+2%,-2%,50V-DC,0603,C0G,-55DEG CMIN,125DEG CMAX,PB
C799	2113944A40	CAP,CHIP,100PF,+5%,-5% 50V-DC,0402,C0G,-55DEG CMIN,125DEG CMAX	C851	2113944A44	CAP,CHIP,220PF,+5%,-5% 50V-DC,0402,C0G,-55DEG CMIN,125DEG CMAX	C918	2113944C04	CAP,CHIP,330PF,+5%,-10%,50V-DC,0603,C0G,-55DEG CMIN,125DEG CMAX	C1006	2113945C02	CAP,CHIP,.01UF,+10%,-10%,50V-DC,0603,X7R,-55DEG CMIN,125DEG CMA
C800	2113944A29	CAP,CHIP,22PF,+5%,-5% 50V-DC,0402,C0G,-55DEG CMIN,125DEG CMAX,P	C901	2113944M40	CAP,FXD,82PF,+2%,-2%,50V-DC,0603,C0G,-55DEG CMIN,125DEG CMAX,PB	C919	2113944M22	CAP,FXD,15PF,+2%,-2%,50V-DC,0603,C0G,-55DEG CMIN,125DEG CMAX,PB	C1007	2113944M30	CAP,FXD,33PF,+2%,-2%,50V-DC,0603,C0G,-55DEG CMIN,125DEG CMAX,PB
C801	2113944A21	CAP,CHIP,6.8PF,.5PF+/-,50V-DC,0402,C0G,-55DEG CMIN,125DEG CMAX	C902	2113944C04	CAP,CHIP,330PF,+5%,-5% 50V-DC,0603,C0G,-55DEG CMIN,125DEG CMAX	C920	2113742J10	CAP,FXD,39PF,+5%,-10%,50V-DC,SM,0805,-55DEG CMIN,125DEG CMAX,S	C1008	2113944M30	CAP,FXD,33PF,+2%,-2%,50V-DC,0603,C0G,-55DEG CMIN,125DEG CMAX,PB
C803	2113944A29	CAP,CHIP,22PF,+5%,-5% 50V-DC,0402,C0G,-55DEG CMIN,125DEG CMAX,P	C903	2113945L49	CAP,FXD,.01UF,+5%,-10%,50V-DC,0603,X7R,-55DEG CMIN,125DEG CMAX,P	C921	2113742J10	CAP,FXD,39PF,+5%,-10%,50V-DC,SM,0805,-55DEG CMIN,125DEG CMAX,S	C1009	2113944M30	CAP,FXD,33PF,+2%,-2%,50V-DC,0603,C0G,-55DEG CMIN,125DEG CMAX,PB
C804	2113944A40	CAP,CHIP,100PF,+5%,-5% 50V-DC,0402,C0G,-55DEG CMIN,125DEG CMAX	C904	2113944M36	CAP,FXD,56PF,+2%,-2%,50V-DC,0603,C0G,-55DEG CMIN,125DEG CMAX,PB	C922	2113944M29	CAP,FXD,30PF,+2%,-2%,50V-DC,0603,C0G,-55DEG CMIN,125DEG CMAX,PB	C1010	2113945C02	CAP,CHIP,.01UF,+10%,-10%,50V-DC,0603,X7R,-55DEG CMIN,125DEG CMA
C805	2113944A40	CAP,CHIP,100PF,+5%,-5% 50V-DC,0402,C0G,-55DEG CMIN,125DEG CMAX	C905	2113945L49	CAP,FXD,.01UF,+5%,-10%,50V-DC,0603,X7R,-55DEG CMIN,125DEG CMAX,P	C923	2113944M15	CAP,FXD,7.5PF,.1PF+/-,50V-DC,0603,C0G,-55DEG CMIN,125DEG CMAX	C1013	2113944M21	CAP,FXD,13PF,+2%,-2%,50V-DC,0603,C0G,-55DEG CMIN,125DEG CMAX,PB
C810	2113944A44	CAP,CHIP,220PF,+5%,-5% 50V-DC,0402,C0G,-55DEG CMIN,125DEG CMAX	C906	2113944C04	CAP,CHIP,330PF,+5%,-10%,50V-DC,0603,C0G,-55DEG CMIN,125DEG CMAX	C924	2113944M19	CAP,FXD,11PF,+2%,-2%,50V-DC,0603,C0G,-55DEG CMIN,125DEG CMAX,PB	C1015	2113944M30	CAP,FXD,33PF,+2%,-2%,50V-DC,0603,C0G,-55DEG CMIN,125DEG CMAX,PB
C813	2113944A63	CAP,FXD,1PF,.25PF+/-,50V-DC,0402,C0G,-55DEG CMIN,125DEG CMAX,P	C907	2113944C04	CAP,CHIP,330PF,+5%,-10%,50V-DC,0603,C0G,-55DEG CMIN,125DEG CMAX	C925	2113944C04	CAP,CHIP,330PF,+5%,-10%,50V-DC,0603,C0G,-55DEG CMIN,125DEG CMAX	C1018	2113944M30	CAP,FXD,33PF,+2%,-2%,50V-DC,0603,C0G,-55DEG CMIN,125DEG CMAX,PB
C814	2113945A09	CAP,CHIP,1000PF,+10%,-10%,50V-DC,0402,X7R,-55DEG CMIN,125DEG CM	C908	2113944C04	CAP,CHIP,330PF,+5%,-10%,50V-DC,0603,C0G,-55DEG CMIN,125DEG CMAX	C928	2113944M23	CAP,FXD,16PF,+2%,-2%,50V-DC,0603,C0G,-55DEG CMIN,125DEG CMAX,PB	C1019	21009257001	CAP,CER,18PF,50V-DC,-55DEG CMIN,125DEG CMAX,0805 18 PF ACCU
C816	2113944A31	CAP,CHIP,33PF,+5%,-5% 50V-DC,0402,C0G,-55DEG CMIN,125DEG CMAX,P	C909	2113944C04	CAP,CHIP,330PF,+5%,-10%,50V-DC,0603,C0G,-55DEG CMIN,125DEG CMAX	C929	2113945A12	CAP,CHIP,3300PF,+10%,-10%,50V-DC,0402,X7R,-55DEG CMIN,125DEG CM	C1020	2113944C11	CAP,CHIP,1.6PF,.25PF+/-,50V-DC,0603,C0G,-55DEG CMIN,125DEG CMA
C820	2113944A44	CAP,CHIP,220PF,+5%,-5% 50V-DC,0402,C0G,-55DEG CMIN,125DEG CMAX	C910	2113944C23	CAP,CHIP,5.1PF,.5PF+/-,50V-DC,0603,C0G,-55DEG CMIN,125DEG CMAX	C930	2113945A12	CAP,CHIP,3300PF,+10%,-10%,50V-DC,0402,X7R,-55DEG CMIN,125DEG CM	C1021	2113944C23	CAP,CHIP,5.1PF,.5PF+/-,50V-DC,0603,C0G,-55DEG CMIN,125DEG CMAX
C830	2113944A44	CAP,CHIP,220PF,+5%,-5% 50V-DC,0402,C0G,-55DEG CMIN,125DEG CMAX	C911	2113945L49	CAP,FXD,.01UF,+5%,-10%,50V-DC,0603,X7R,-55DEG CMIN,125DEG CMAX,P	C1001	2113944M30	CAP,FXD,33PF,+2%,-2%,50V-DC,0603,C0G,-55DEG CMIN,125DEG CMAX,PB	C1022	2113944M30	CAP,FXD,33PF,+2%,-2%,50V-DC,0603,C0G,-55DEG CMIN,125DEG CMAX,PB
C831	2113944A40	CAP,CHIP,100PF,+5%,-5% 50V-DC,0402,C0G,-55DEG CMIN,125DEG CMAX	C913	2113944M29	CAP,FXD,30PF,+2%,-2%,50V-DC,0603,C0G,-55DEG CMIN,125DEG CMAX,PB	C1002	2113944C22	CAP,CHIP,4.7PF,.25PF+/-,50V-DC,0603,C0G,-55DEG CMIN,125DEG CMA	C1023	2113944M24	CAP,FXD,18PF,+2%,-2%,50V-DC,0603,C0G,-55DEG CMIN,125DEG CMAX,PB

Ref. Des.	Part Number	Description	Ref. Des.	Part Number	Description	Ref. Des.	Part Number	Description	Ref. Des.	Part Number	Description
C1024	2113945A12	CAP,CHIP,3300PF,+10%,-10%, 50V-DC,0402,X7R,-55DEG CMIN, 125DEG CM	C1118	2113945B02	CAP,CHIP,.01UF,+10%,-10%, 25V- DC,0402,X7R,-55DEG CMIN, 125DEG CMA	C1141	2113945Y02	CAP,FXD,.1UF,+10%,-10%,16V- DC,0402,X7R,-55DEG CMIN, 125DEG CMAX	C1305	2113944A26	CAP,CHIP,12PF,+5%,-10%, 50V- DC,0402,C0G,-55DEG CMIN, 125DEG CMAX,P
C1025	2113945A12	CAP,CHIP,3300PF,+10%,-10%, 50V-DC,0402,X7R,-55DEG CMIN, 125DEG CM	C1119	2113945B02	CAP,CHIP,.01UF,+10%,-10%, 25V- DC,0402,X7R,-55DEG CMIN, 125DEG CMA	C1142	2113945A09	CAP,CHIP,1000PF,+10%,-10%, 50V-DC,0402,X7R,-55DEG CMIN ,125DEG CM	C1306	2113944A17	CAP,CHIP,4.7PF,.25PF+/-,50V- DC,0402,C0G,-55DEG CMIN, 125DEG CMA
C1101	2113945B02	CAP,CHIP,.01UF,+10%,-10%, 25V- DC,0402,X7R,-55DEG CMIN, 125DEG CMA	C1120	2113945B02	CAP,CHIP,.01UF,+10%,-10%, 25V- DC,0402,X7R,-55DEG CMIN, 125DEG CMA	C1149	2113944A40	CAP,CHIP,100PF,+5%,-10%,50V- DC,0402,C0G,-55DEG CMIN, 125DEG CMAX	C1307	2113944A26	CAP,CHIP,12PF,+5%,-10%,50V- DC,0402,C0G,-55DEG CMIN, 125DEG CMAX,P
C1102	2188468Y01	CAP,CHIP,1UF,+10%,-10%,25V- DC,0805,X7R	C1122	2175390H01	CAP,CER,2.2PF,50V-DC,C0G, CAP, 2.2 PF,0402, CERAMIC, 50V	C1150	2175392H01	CAP,CER,1.2PF,50V-DC,C0G, CAP,1.2PF, 0402, CERAMIC, 50V	C1308	2113944A28	CAP,CHIP,18PF,+5%,-10%,50V- DC,0402,C0G,-55DEG CMIN,125DEG CMAX,P
C1103	2113945B02	CAP,CHIP,.01UF,+10%,-10%, 25V- DC,0402,X7R,-55DEG CMIN,125DEG CMA	C1123	2113945B02	CAP,CHIP,.01UF,+10%,-10%, 25V- DC,0402,X7R,-55DEG CMIN, 125DEG CMA	C1203	2113944M19	CAP,FXD,11PF,+2%,-2%,50V-DC, 0603,C0G,-55DEG CMIN,125DEG CMAX,PB	C1309	2175389H01	CAP,.5PF,CAP,.5PF, CHIP, 0402, CERAMIC, 50 V
C1105	2113944A19	CAP,CHIP,5.6PF,.5PF+/-,50V-DC, 0402,C0G,-55DEG CMIN,125DEG CMAX	C1124	2113945A13	CAP,CHIP,4700PF,+10%,-10%, 50V-DC,0402,X7R,-55DEG CMIN, 125DEG CM	C1204	2113944M13	CAP,FXD,6.2PF,.1PF+/-,50V-DC, 0603,C0G,-55DEG CMIN,125DEG CMAX	C1411	2113944C36	CAP,CHIP,33PF,+5%,-10%,50V- DC,0603,C0G,-55DEG CMIN, 125DEG CMAX,P
C1106	2113945B02	CAP,CHIP,.01UF,+10%,-10%, 25V- DC,0402,X7R,-55DEG CMIN, 125DEG CMA	C1126	2113945A09	CAP,CHIP,1000PF,+10%,-10%, 50V-DC,0402,X7R,-55DEG CMIN, 125DEG CM	C1207	2113944M27	CAP,FXD,24PF,+2%,-2%,50V-DC, 0603,C0G,-55DEG CMIN,125DEG CMAX,PB	C1413	2113944C62	CAP,FXD,.75PF,.1PF+/-,50V-DC, 0603,C0G,-55DEG CMIN,125DEG CMAX
C1107	2113944A40	CAP,CHIP,100PF,+5%,-10%, 50V- DC,0402,C0G,-55DEG CMIN, 125DEG CMAX	C1127	2113945Y02	CAP,FXD,.1UF,+10%,-10%,16V- DC,0402,X7R,-55DEG CMIN, 125DEG CMAX	C1220	2113944M16	CAP,FXD,8.2PF,.1PF+/-,50V-DC, 0603,C0G,-55DEG CMIN,125DEG CMAX	C1414	2113944C63	CAP,FXD,1PF,.1PF+/-,50V-DC, 0603,C0G,-55DEG CMIN,125DEG CMAX,PB
C1108	2113946B03	CAP,CHIP,.068UF,+10%,-10%, 10V-DC,0402,X5R,-55DEG CMIN, 85DEG CMA	C1128	2113945B02	CAP,CHIP,.01UF,+10%,-10%, 25V- DC,0402,X7R,-55DEG CMIN, 125DEG CMA	C1221	2113944M27	CAP,FXD,24PF,+2%,-2%,50V-DC, 0603,C0G,-55DEG CMIN,125DEG CMAX,PB	C1418	2113944C13	CAP,CHIP,2PF,.25PF+/-,50V-DC, 0603,C0G,-55DEG CMIN,125DEG CMAX
C1109	2113944A40	CAP,CHIP,100PF,+5%,-10%,50V- DC,0402,C0G,-55DEG CMIN, 125DEG CMAX	C1129	2113945B02	CAP,CHIP,.01UF,+10%,-10%, 25V- DC,0402,X7R,-55DEG CMIN, 125DEG CMA	C1222	2113944C04	CAP,CHIP,330PF,+5%,-10%,50V- DC,0603,C0G,-55DEG CMIN, 125DEG CMAX	C1424	2113944C61	CAP,FXD,.5PF,.1PF+/-,50V-DC, 0603,C0G,-55DEG CMIN,125DEG CMAX,P
C1110	2113944A40	CAP,CHIP,100PF,+5%,-10%,50V- DC,0402,C0G,-55DEG CMIN, 125DEG CMAX	C1130	2113945B02	CAP,CHIP,.01UF,+10%,-10%, 25V- DC,0402,X7R,-55DEG CMIN, 125DEG CMA	C1226	2113944M11	CAP,FXD,5.1PF,.1PF+/-,50V-DC, 0603,C0G,-55DEG CMIN,125DEG CMAX	C1425	2113944C61	CAP,FXD,.5PF,.1PF+/-,50V-DC, 0603,C0G,-55DEG CMIN,125DEG CMAX,P
C1111	2113945Y02	CAP,FXD,.1UF,+10%,-10%,16V- DC,0402,X7R,-55DEG CMIN, 125DEG CMAX	C1134	2113945B02	CAP,CHIP,.01UF,+10%,-10%, 25V- DC,0402,X7R,-55DEG CMIN, 125DEG CMA	C1227	2113944M17	CAP,FXD,9.1PF,.1PF+/-,50V-DC, 0603,C0G,-55DEG CMIN,125DEG CMAX	D200	4813978A19	DIODE,RECT,MBR120,SM,SOD- 123,1A,20V,SHTK,PB-FREE
C1112	2113945B01	CAP,CHIP,6800PF,+10%,-10%, 25V-DC,0402,X7R,-55DEG CMIN, 125DEG CM	C1137	2113945B04	CAP,FXD,.022UF,+10%,-10%, 25V-DC,0402,X7R,-55DEG CMIN, 125DEG CMA	C1301	2113944M20	CAP,FXD,12PF,+2%,-2%,50V-DC, 0603,C0G,-55DEG CMIN,125DEG CMAX,PB	D722	4815011H01	DIODE,SWG,SM,300MA,80V,TRP
C1113	2113945B02	CAP,CHIP,.01UF,+10%,-10%,25V- DC,0402,X7R,-55DEG CMIN, 125DEG CMA	C1138	2113945B04	CAP,FXD,.022UF,+10%,-10%, 25V-DC,0402,X7R,-55DEG CMIN, 125DEG CMA	C1302	2114036F74	CAP,FXD,1.8PF,.05PF+/-,25V-DC, C0G,-55DEG CMIN,125DEG CMAX,PB-	D723	4815011H01	DIODE,SWG,SM,300MA,80V,TRP
C1116	2113945Y02	CAP,FXD,.1UF,+10%,-10%,16V- DC,0402,X7R,-55DEG CMIN, 125DEG CMAX	C1139	2113944A25	CAP,CHIP,10PF,.5PF+/-,50V-DC, 0402,C0G,-55DEG CMIN,125DEG CMAX	C1303	2113944A26	CAP,CHIP,12PF,+5%,-10%,50V- DC,0402,C0G,-55DEG CMIN, 125DEG CMAX,P	E200	2405688Z01	IDCTR,BEAD,FERR BEAD
C1117	2113945A12	CAP,CHIP,3300PF,+10%,-10%, 50V-DC,0402,X7R,-55DEG CMIN, 125DEG CM	C1140	2113945A13	CAP,CHIP,4700PF,+10%,-10%, 50V-DC,0402,X7R,-55DEG CMIN, 125DEG CM	C1304	2113945A09	CAP,CHIP,1000PF,+10%,-10%, 50V-DC,0402,X7R,-55DEG CMIN, 125DEG CM	E201	2405688Z01	IDCTR,BEAD,FERR BEAD
									E301	2480640Z01	CHIP INDUCTOR,BEAD, SUR MT FERR BEAD
									E401	2480640Z01	CHIP INDUCTOR,BEAD, SUR MT FERR BEAD
									E402	2480640Z01	CHIP INDUCTOR,BEAD, SUR MT FERR BEAD
									E501	2480640Z01	CHIP INDUCTOR,BEAD, SUR MT FERR BEAD

Ref. Des.	Part Number	Description
L1114	2475394H01	IDCTR,COIL,11NH,2%,.14OHM, SM,INDUCTOR, 11NH, 0402
L1203	2460591D81	IDCTR,AW,43NH,HI Q REELED SUR MT AIR WOUND
L1209	2460591D81	IDCTR,AW,43NH,HI Q REELED SUR MT AIR WOUND
L1211	2460591D81	IDCTR,AW,43NH,HI Q REELED SUR MT AIR WOUND
L1301	2488090Y10	IDCTR,CHIP,5.6NH,5%,300MA, CER,SM,0402,MULAY PB FREE
L1302	2488090Y25	IDCTR,CHIP,100NH,5%,90MA, CER,SM,0402,MULAY PB FREE
L1303	2414017P16	IDCTR,CHIP,18NH,5%,300MA, .76OHM,CER,9 Q,1.9GHZ SRF, SM,0402,P
L1305	2475391H01	IDCTR,VW,18NH,2%,.27OHM, INDUCTOR, 18 NH, CHIP, 0402, 2
L1401	2415428H02	IDCTR,AW,2.55NH,5%,1.6A,AIR,3 TURNS,SM,AIR WOUND IDCTR
L1408	2460591A11	COIL AIR WOUND INDUC 7.66
L1410	2460591A11	COIL AIR WOUND INDUC 7.66
M101	2871616H01	CONN,N/A,GLD, CONNECTOR, BPLUS
M103	3987977Y04	CONT,CONN,1CONT,ANT UNIV 4.5MM,UC 1.8
M105	3987977Y04	CONT,CONN,1CONT,ANT UNIV 4.5MM,UC 1.8
P101	2887818K05	RECTANGULAR CONNECTOR, STKNG,2 ROW,RCPT,40CONT, .5MM,GLD,VERT
Q201	4813970A59	XSTR,FET GP PWR,P-CH, ENHN,SM,SOT-23,20V, .4W,PB-FREE
Q202	4813973A32	XSTR,BIP GP SS,NPN, SM, SC-70,SMT,50V, .202W, 100MA,PB-FREE
Q301	4813973A32	XSTR,BIP GP SS,NPN,SM, SC-70,SMT,50V, .202W, 100MA,PB-FREE
Q302	4813973M75	XSTR,BIP GP SS,PNP, BC858, SOT-563,SMT,-30V, .357W, -100MA,100MHZ
Q401	4813973A32	XSTR,BIP GP SS,NPN,SM, SC-70,SMT,50V, .202W, 100MA,PB-FREE

Ref. Des.	Part Number	Description
Q402	4813973M75	XSTR,BIP GP SS,PNP, BC858, SOT-563,SMT,-30V, .357W, -100MA,100MHZ
Q403	4813973M75	XSTR,BIP GP SS,PNP, BC858, SOT-563,SMT,-30V, .357W, -100MA,100MHZ
Q501	4813973M75	XSTR,BIP GP SS,PNP, BC858, SOT-563,SMT,-30V, .357W, -100MA,100MHZ
Q503	4885316E32	XSTR,BIP RF SML SGNL, SLCN, BFR380F,SM,SMT,6V,380W,80A, 14MHZ,TR
Q601	4813973A04	XSTR,BIP GP SS,NPN, TA13, SM,SOT-23,SMT,30V, .225W, 300MA, 125MHZ,P
Q703	4813973M75	XSTR,BIP GP SS,PNP, BC858, SOT-563,SMT,-30V, .357W, -100MA,100MHZ
Q712	4813973M75	XSTR,BIP GP SS,PNP, BC858, SOT-563,SMT,-30V, .357W, -100MA,100MHZ
Q713	4805585Q32	XSTR,BIP RF SML SGNL, NPN, NE662M04,SM,SOT-343,3.3V, TRANSITO
Q714	4889394V04	XSTR,FET GEN PURPOSE SMALL SIG,MOSFET,N-CH, ENHN,SM,20V, .25W,P
Q774	4885061Y01	XSTR,BIP RF SMALL SIGNAL
Q842	4805585Q32	XSTR,BIP RF SML SGNL,NPN, NE662M04,SM,SOT-343,3.3V, TRANSITO
Q901	5185633C81	AMP MDL,PAMP,MODULE, RING, XSTR,FET RF POWER, VHF
Q1001	5185633C83	AMP MDL,MODULE,RING, XSTR, FET RF PWR,7/800MH
Q1101	4813973A32	XSTR,BIP GP SS,NPN,SM, SC-70,SMT,50V, .202W, 100MA,PB-FREE
Q1102	4813973A32	XSTR,BIP GP SS,NPN,SM, SC-70,SMT,50V, .202W, 100MA,PB-FREE
Q1103	4813970A59	XSTR,FET GP PWR,P-CH, ENHN,SM,SOT-23,20V, .4W,PB-FREE
Q1104	4813970A59	XSTR,FET GP PWR,P-CH, ENHN,SM,SOT-23,20V, .4W,PB-FREE

Ref. Des.	Part Number	Description
R101	0613952R01	RES,MF,10KOHM,5%,.0625W,SM ,0402,200PPM/CEL, PB-FREE
R103	0613952R01	RES,MF,10KOHM,5%,.0625W,SM ,0402,200PPM/CEL, PB-FREE
R201	0613952R25	RES,MF,100KOHM,5%,.0625W, SM,0402,200PPM/CEL, PB-FREE
R202	0613952Q89	RES,MF,4700,5, .0625,SM,0402, 200,PB-FREE
R301	0613952R22	RES,MF,75KOHM,5%,.0625W,SM ,0402,200PPM/CEL, PB-FREE
R302	0613952R27	RES,MF,120KOHM,5%,.0625W, SM,0402,200PPM/CEL, PB-FREE
R303	0613952R01	RES,MF,10KOHM,5%,.0625W,SM ,0402,200PPM/CEL, PB-FREE
R304	0613952Q37	RES,MF,33OHM,5%,.0625W,SM, 0402,200PPM/CEL, PB-FREE
R305	0613952Q89	RES,MF,4700,5, .0625,SM,0402, 200,PB-FREE
R306	0613952Q25	RES,MF,10,5, .0625,SM,0402,200, PB-FREE
R307	0613952Q13	RES,MF,3.3OHM,5%,.0625W,SM, 0402,200PPM/CEL, PB-FREE
R401	0613952R09	RES,MF,22000,5, .0625,SM,0402, 200,PB-FREE
R402	0613952R23	RES,MF,82KOHM,5%,.0625W,SM ,0402,200PPM/CEL ,PB-FREE
R403	0613952Q85	RES,MF,3.3KOHM,5%,.0625W, SM,0402,200PPM/CEL,PB-FREE
R404	0613952Q45	RES,MF,68OHM,5%,.0625W,SM, 0402,200PPM/CEL, PB-FREE
R405	0613952Q25	RES,MF,10,5, .0625,SM,0402,200, PB-FREE
R406	0613952Q11	RES,MF,2.7OHM,5%,.0625W,SM, 0402,200PPM/CEL, PB-FREE
R407	0613952R09	RES,MF,22000,5, .0625,SM,0402, 200,PB-FREE
R408	0613952R23	RES,MF,82KOHM,5%,.0625W,SM ,0402,200PPM/CEL, PB-FREE
R409	0613952Q85	RES,MF,3.3KOHM,5%,.0625W, SM,0402,200PPM/CEL, PB-FREE
R410	0613952Q45	RES,MF,68OHM,5%,.0625W,SM, 0402,200PPM/CEL, PB-FREE
R411	0613952Q25	RES,MF,10,5, .0625,SM,0402,200, PB-FREE
R412	0613952Q11	RES,MF,2.7OHM,5%,.0625W,SM, 0402,200PPM/CEL, PB-FREE

Ref. Des.	Part Number	Description
R413	0613952Q11	RES,MF,2.7OHM,5%,.0625W,SM, 0402,200PPM/CEL, PB-FREE
R501	0613952Q42	RES,MF,51OHM,5%,.0625W,SM, 0402,200PPM/CEL, PB-FREE
R502	0613952Q45	RES,MF,68OHM,5%,.0625W,SM, 0402,200PPM/CEL, PB-FREE
R503	0613952R10	RES,MF,24KOHM,5%,.0625W,SM ,0402,200PPM/CEL, PB-FREE
R504	0613952Q85	RES,MF,3.3KOHM,5%,.0625W, SM, 0402,200PPM/CEL,PB-FREE
R505	0613952R31	RES,MF,180KOHM,5%,.0625W, SM,0402,200PPM/CEL, PB-FREE
R506	0613952Q53	RES,MF,150OHM,5%,.0625W,SM, 0402,200PPM/CEL, PB-FREE
R507	0613952Q83	RES,MF,2.7KOHM,5%,.0625W, SM,0402,200PPM/CEL, PB-FREE
R508	0613952Q29	RES,MF,15OHM,5%,.0625W,SM, 0402,200PPM/CEL, PB-FREE
R509	0613952Q25	RES,MF,10,5, .0625,SM,0402,200, PB-FREE
R511	0613952Q11	RES,MF,2.7OHM,5%,.0625W,SM, 0402,200PPM/CEL, PB-FREE
R597	0613952R66	RES,MF,0OHM,5%,.0625W,SM, 0402,PB-FREE
R601	0613952Q41	RES,MF,47OHM,5%,.0625W,SM, 0402,200PPM/CEL, PB-FREE
R602	0613952Q63	RES,MF,390OHM,5%,.0625W,SM, 0402,200PPM/CEL, PB-FREE
R603	0613952R25	RES,MF,100KOHM,5%,.0625W, SM,0402,200PPM/CEL, PB-FREE
R604	0613952Q63	RES,MF,390OHM,5%,.0625W,SM, 0402,200PPM/CEL, PB-FREE
R605	0613952R01	RES,MF,10KOHM,5%,.0625W,SM ,0402,200PPM/CEL, PB-FREE
R606	0613952R01	RES,MF,10KOHM,5%,.0625W,SM ,0402,200PPM/CEL, PB-FREE
R607	0613952R25	RES,MF,100KOHM,5%,.0625W, SM,0402,200PPM/CEL, PB-FREE
R608	0613952R01	RES,MF,10KOHM,5%,.0625W,SM ,0402,200PPM/CEL, PB-FREE
R609	0613952Q81	RES,MF,2200,5, .0625,SM,0402, 200,PB-FREE
R610	0613952R25	RES,MF,100KOHM,5%,.0625W, SM,0402,200PPM/CEL, PB-FREE
R611	0613952R01	RES,MF,10KOHM,5%,.0625W,SM ,0402,200PPM/CEL, PB-FREE

Ref. Des.	Part Number	Description	Ref. Des.	Part Number	Description	Ref. Des.	Part Number	Description	Ref. Des.	Part Number	Description
R1139	0613952R25	RES,MF,100KOHM,5%,.0625W,SM,0402,200PPM/CEL, PB-FREE	R1172	0613952Q89	RES,MF,4700,5,.0625,SM,0402,200,PB-FREE	T503	2575851B01	XFMR,BALUN,RF XFMR BALUN	U605	5164852H16	IC,TRANSLATING,2PER PKG,LVC2T45, TRANSCEIVER W/ VOLTAGE TRANSLATI
R1140	0613952R25	RES,MF,100KOHM,5%,.0625W,SM,0402,200PPM/CEL, PB-FREE	R1174	0613952R01	RES,MF,10KOHM,5%,.0625W,SM,0402,200PPM/CEL, PB-FREE	T504	2575851B01	XFMR,BALUN,RF XFMR BALUN	U606	5164852H16	IC,TRANSLATING,2PER PKG,LVC2T45,TRANSCEIVER W/ VOLTAGE TRANSLATI
R1141	0613952R42	RES,MF,510KOHM,5%,.0625W,SM,0402,200PPM/CEL, PB-FREE	R1175	0613952R66	RES,MF,0OHM,5%,.0625W,SM,0402,PB-FREE	U101	5105443X07	IC, 32KBIT AND 64KBIT SERIAL SPI BUS EEPROMSWITH HIGH SPEED CLOCK	U607	5186311J24	IC,BFR,1PER PKG, NC7SZ125, ACTIVE HIGH,BFR,3ST,SM,5.5
R1142	0613952R25	RES,MF,100KOHM,5%,.0625W,SM,0402,200PPM/CEL, PB-FREE	R1176	0613952Q73	RES,MF,1KOHM,5%,.0625W,SM,0402,200PPM/CEL, PB-FREE	U200	5188493T01	IC,VREG/SWG,LP2989, SM,MINI SO-8 HI PRCN REG 5V	U702	5164015H28	IC,CUST,MULTI PROTOCOL/ BAND TRANSCVR IC,SM,BGA, TRIDENT, INTEG
R1143	0613952R25	RES,MF,100KOHM,5%,.0625W,SM,0402,200PPM/CEL, PB-FREE	R1177	0613952R66	RES,MF,0OHM,5%,.0625W,SM,0402,PB-FREE	U201	5175771A99	IC,LNR V REGLTR,FXD, 100MA,VFBGA,LOW NOISE,100MA LINEAR REGL	U703	5175772B06	IC,SERIAL INTERFACE I/O EXPANDER,QFN,24BITS,28-PORT I/O EXPA
R1144	0613952R25	RES,MF,100KOHM,5%,.0625W,SM,0402,200PPM/CEL, PB-FREE	R1178	0613952R01	RES,MF,10KOHM,5%,.0625W,SM,0402,200PPM/CEL, PB-FREE	U202	5175772B02	IC,LNR V REGLTR,FXD, 1.8V,100MA,VFBGA, LINEAR REGLTR 100MA 1.8	U708	5171972L01	IC,SW,SP3T RF SW
R1145	0613952R25	RES,MF,100KOHM,5%,.0625W,SM,0402,200PPM/CEL, PB-FREE	R1179	0613952R66	RES,MF,0OHM,5%,.0625W,SM,0402,PB-FREE	U203	5175772B01	IC,LNR V REGLTR, FXD,1.5V,350MA,VFBGA,LINEAR V REGLTR 350MA	U709	5171972L01	IC,SW,SP3T RF SW
R1146	0613952R25	RES,MF,100KOHM,5%,.0625W,SM,0402,200PPM/CEL, PB-FREE	R1180	0613952R66	RES,MF,0OHM,5%,.0625W,SM,0402,PB-FREE	U302	4885316E32	XSTR,BIP RF SML SGNL, SLCN,BFR380F,SM,SMT,6V,380W,80A,14MHZ,TR	U710	5171972L01	IC,SW,SP3T RF SW
R1151	0613952R01	RES,MF,10KOHM,5%,.0625W,SM,0402,200PPM/CEL, PB-FREE	R1182	0613952R01	RES,MF,10KOHM,5%,.0625W,SM,0402,200PPM/CEL, PB-FREE	U402	51009884001	SW,RF SWITCH,SPDT,SMT,6W,3V	U711	5171972L01	IC,SW,SP3T RF SW
R1152	0613952R01	RES,MF,10KOHM,5%,.0625W,SM,0402,200PPM/CEL, PB-FREE	R1183	0613952Q73	RES,MF,1KOHM,5%,.0625W,SM,0402,200PPM/CEL, PB-FREE	U403	51009884001	SW,RF SWITCH,SPDT,SMT,6W,3V	U746	4805218N63	XSTR,GEN PURPOSE SMALL SIG,SOT-323, BROADBAND AND XSTR
R1154	0613952R01	RES,MF,10KOHM,5%,.0625W,SM,0402,200PPM/CEL, PB-FREE	R1184	0613952Q81	RES,MF,2200,5,.0625,SM,0402,200,PB-FREE	U404	51009884001	SW,RF SWITCH,SPDT,SMT,6W,3V	U901	5175143H01	IC,WIDE SPLY RANGE OP AMP
R1160	0613952R03	RES,MF,12000,5,.0625,SM,0402,200,PB-FREE	R1304	0613952R66	RES,MF,0OHM,5%,.0625W,SM,0402,PB-FREE	U405	51009884001	SW,RF SWITCH,SPDT,SMT,6W,3V	U902	5115678H01	IC,RF AMPLIFIER,SM, TSSOP16EP,30MHZMIN,941MHZ MAX,VHF/UHF/800/
R1161	0613952R01	RES,MF,10KOHM,5%,.0625W,SM,0402,200PPM/CEL, PB-FREE	R1307	0613952Q73	RES,MF,1KOHM,5%,.0625W,SM,0402,200PPM/CEL, PB-FREE	U406	4885316E32	XSTR,BIP RF SML SGNL, SLCN,BFR380F,SM,SMT, 6V,380W,80A,14MHZ,TR	U1001	5175143H01	IC,WIDE SPLY RANGE OP AMP
R1162	0613952R29	RES,MF,150KOHM,5%,.0625W,SM,0402,200PPM/CEL, PB-FREE	SH1	2675871B01	SHIELD	U407	4885316E32	XSTR,BIP RF SML SGNL, SLCN,BFR380F,SM,SMT,6V,380W,80A,14MHZ,TR	U1002	5115678H01	IC,RF AMPLIFIER,SM, TSSOP16EP,30MHZMIN,941MHZ MAX,VHF/UHF/800/
R1163	0613952R01	RES,MF,10KOHM,5%,.0625W,SM,0402,200PPM/CEL, PB-FREE	SH2	2675872B01	SHLD,STL,SN PLT,SHIELD, XTAL	U408	5103535B53	IC,INVTR,DL,NC7WZ04L6X,2PER PKG,SC70	U1101	5188032U43	IC,SENSING CIRCUIT, INA138, SM,SOT-23/5,1PER PKG,PB FREE
R1164	0613952R01	RES,MF,10KOHM,5%,.0625W,SM,0402,200PPM/CEL, PB-FREE	SH3	2675873B01	SHIELD,ABACUS	U501	51009884001	SW,RF SWITCH,SPDT,SMT,6W,3V	U1102	5175772B03	RF SWITCH,RF SWITCH,10W, RECONFIGURABLE 10W SP5T/3T RF SWITC
R1165	0613952Q56	RES,MF,200OHM,5%,.0625W,SM,0402,200PPM/CEL, PB-FREE	SH4	2675878B01	SHLD,STL,SN PLT,SHIELD, FRNT END	U502	5103535B53	IC,INVTR,DL,NC7WZ04L6X,2PER PKG,SC70	U1103	5185070Y01	IC,TEMP SENS
R1166	0613952Q56	RES,MF,200OHM,5%,.0625W,SM,0402,200PPM/CEL, PB-FREE	SH5	2675879B01	SHLD,STL,SN PLT,SHIELD, DRVR PA	U506	5164852H82	IC,MXR,IC, MIXER/ BFR	U1104	5185941F56	IC,OP AMP,1PER PKG, RAIL-RAIL,SOIC,IC SNGL LV LP OP AMP
R1167	0613952R01	RES,MF,10KOHM,5%,.0625W,SM,0402,200PPM/CEL, PB-FREE	SH6	2675876B01	SHLD,STL,SN PLT,SHIELD, VCO	U601	5102495J14	IC,IF,IF DIGITILIZING SUBSYSTEM IC AD9864, QFN	U1105	5180390L83	IC,CNTRLR,SM,1PER PKG
R1168	0613952R66	RES,MF,0OHM,5%,.0625W,SM,0402,PB-FREE	SH7	2675874B01	SHLD,STL,SN PLT,SHIELD, MXR	U602	4885316E32	XSTR,BIP RF SML SGNL, SLCN,BFR380F,SM,SMT,6V,380W,80A,14MHZ,TR	U1106	5175772B05	IC,LTC5532ES6,SOT-23, 1PER PKG,PRCN RF DET
R1169	0613952P52	RES,MF,340KOHM,1%,.0625W,SM,0402,200PPM/CEL, PB-FREE	SH8	2675932B01	SHLD,SHIELD, 2ND LO VCO	U603	5109522E84	IC,DL SCHT TRIG MICRO PAK	U1109	5114007M32	IC,OR,2PER PKG,SM, US8,PB-FREE
R1170	0613952P01	RES,MF,100KOHM,1%,.0625W,SM,0402,200PPM/CEL, PB-FREE	SH9	2675934B01	SHLD,SHIELD, DC	U604	5109522E84	IC,DL SCHT TRIG MICRO PAK	U1110	51009884001	SW,RF SWITCH,SPDT,SMT,6W,3V
R1171	0613952R66	RES,MF,0OHM,5%,.0625W,SM,0402,PB-FREE	SH10	2675859B01	SHLD,STL,SN PLT,SHIELD, OUT MATCH						
			SH11	2675877B01	SHLD,STL,SN PLT,SHIELD, ALC						
			SH12	2675933B01	SHLD,SHIELD, IF AMP						
			SH13	2675870B01	SHLD,STL,SN PLT,SHIELD, HAR FLTR						
			SH14	2671905H01	SHLD,CAN,SHIELD, REGLTR						

Ref. Des.	Part Number	Description
U1111	5175771A26	IC,SW,50OHM,CMOS FET SW SPDT, 10WATTS
U1112	5175772B04	IC,HMC468LP3E,QFN,1 DB LSB GAAS MMIC ATTEN
U1113	5185941F56	IC,OP AMP,1PER PKG, RAIL-RAIL,SOIC,IC SNGL LV LP OP AMP
U1114	5185941F56	IC,OP AMP,1PER PKG, RAIL-RAIL,SOIC,IC SNGL LV LP OP AMP
U1116	5109522E93	GATE,OR,SN74LVC1G32YZPR, 1PER PKG,SM,2 INPUT IN NANO PKG
U1117	5103535B53	IC,INVTR,DL,NC7WZ04L6X, 2PER PKG,SC70
U1118	5188085K11	IC,NAND,SINGLE 2 INPUT, SN74LVC1G00YZPR,SM,GATE, POS, 5 DSBGA,
U1119	5186311J53	IC,AND,DUAL 2-INPUT AND GATE,NC7WZ08, 2PER PKG,SM, MSOP
U1121	5114000B52	IC,XOR,LOGIC LEVEL SHIFTER, 1PER PKG,SM, SOT-353,PB-FREE
U1122	51009884001	SW,RF SWITCH,SPDT,SMT,6W, 3V
U1123	5188085K11	IC,NAND,SINGLE 2 INPUT, SN74LVC1G00YZPR,SM,GATE, POS, 5 DSBGA,
U1125	5175206H01	IC,DAC,W/ 5 PPM/C INT REF
U1126	5109817F77	IC,COMPTR,LMV7275,SC70-5
U1127	5171779H01	IC,ANLG SW,SC70,SC70-6,1PER PKG,SPDT ANLG SW
U1128	5188085K11	IC,NAND,SINGLE 2 INPUT, SN74LVC1G00YZPR,SM,GATE, POS, 5 DSBGA,
U1129	5175143H01	IC,WIDE SPLY RANGE OP AMP
U1130	5175143H01	IC,WIDE SPLY RANGE OP AMP
U1131	5109817F77	IC,COMPTR,LMV7275,SC70-5
U1132	5114007M28	IC,D FLIP-FLOP,1PER PKG, 17SZ74,N-I,SM,SOIC8,PB-FREE
U1133	5171779H01	IC,ANLG SW,SC70,SC70-6, 1PER PKG,SPDT ANLG SW
U1136	5109522E94	GATE,AND,1PER PKG,SM, 2 INPUT IN NANO PKG

Ref. Des.	Part Number	Description
U1137	5164852H16	IC,TRANSLATING,2PER PKG, LVC2T45, TRANSCEIVER W/ VOLTAGE TRANSLATI
U1138	5164852H16	IC,TRANSLATING,2PER PKG, LVC2T45, TRANSCEIVER W/ VOLTAGE TRANSLATI
U1139	5164852H16	IC,TRANSLATING,2PER PKG, LVC2T45, TRANSCEIVER W/ VOLTAGE TRANSLATI
U1140	5171779H01	IC,ANLG SW,SC70,SC70-6, 1PER PKG,SPDT ANLG SW
U1141	5185941F56	IC,OP AMP,1PER PKG, RAIL-RAIL,SOIC,IC SNGL LV LP OP AMP
U1142	5185941F56	IC,OP AMP,1PER PKG, RAIL-RAIL,SOIC,IC SNGL LV LP OP AMP
U1143	5185941F56	IC,OP AMP,1PER PKG, RAIL-RAIL,SOIC,IC SNGL LV LP OP AMP
U1144	5171779H01	IC,ANLG SW,SC70,SC70-6, 1PER PKG,SPDT ANLG SW
U1145	5171779H01	IC,ANLG SW,SC70,SC70-6, 1PER PKG,SPDT ANLG SW
U1146	5109522E93	GATE,OR,SN74LVC1G32YZPR, 1PER PKG,SM,2 INPUT IN NANO PKG
U1147	5109522E94	GATE,AND,1PER PKG,SM, 2 INPUT IN NANO PKG
U1148	5185941F56	IC,OP AMP,1PER PKG, RAIL-RAIL,SOIC,IC SNGL LV LP OP AMP
U1304	5105739X13	IC,AMP,SIGE,QFN,QFN,18DB, 1.57GHZMIN,1.57GHZMAX,.9DB, SIGE GPS LO
VR101	4813977M29	DIODE,ZEN,MBZ5250,SM,SOT-23,ZEN,PB-FREE
VR200	4813977M29	DIODE,ZEN,MBZ5250,SM,SOT-23,ZEN,PB-FREE
VR601	4805656W87	DIODE,VCTR, @ 15V, 1SV279, SOD-523/SC-79,SOD-523/SC-79
VR602	4805656W87	DIODE,VCTR, @ 15V,1SV279, SOD-523/SC-79,SOD-523/SC-79
Y701	4871886H01	OSC,VO,16.8 MHZ VCTXO .8PPM
Y704	5164852H68	OSC,VOLTAGE CONTROLLED, 411MHZ MAX,270MHZ MIN,SM, M9LX7WX2.5H,I

Ref. Des.	Part Number	Description
Y706	5164852H65	OSC,VOLTAGE CONTROLLED, 886MHZ MAX,741MHZ MIN,SM, M9LX7WX2.5H,I
Y707	5164852H67	OSC,VOLTAGE CONTROLLED, 824MHZ MAX,245MHZ MIN,SM, M9LX7WX2.5H,I

Notes

8.4 Transceiver (RF) Boards: UHF1/700–800 MHz

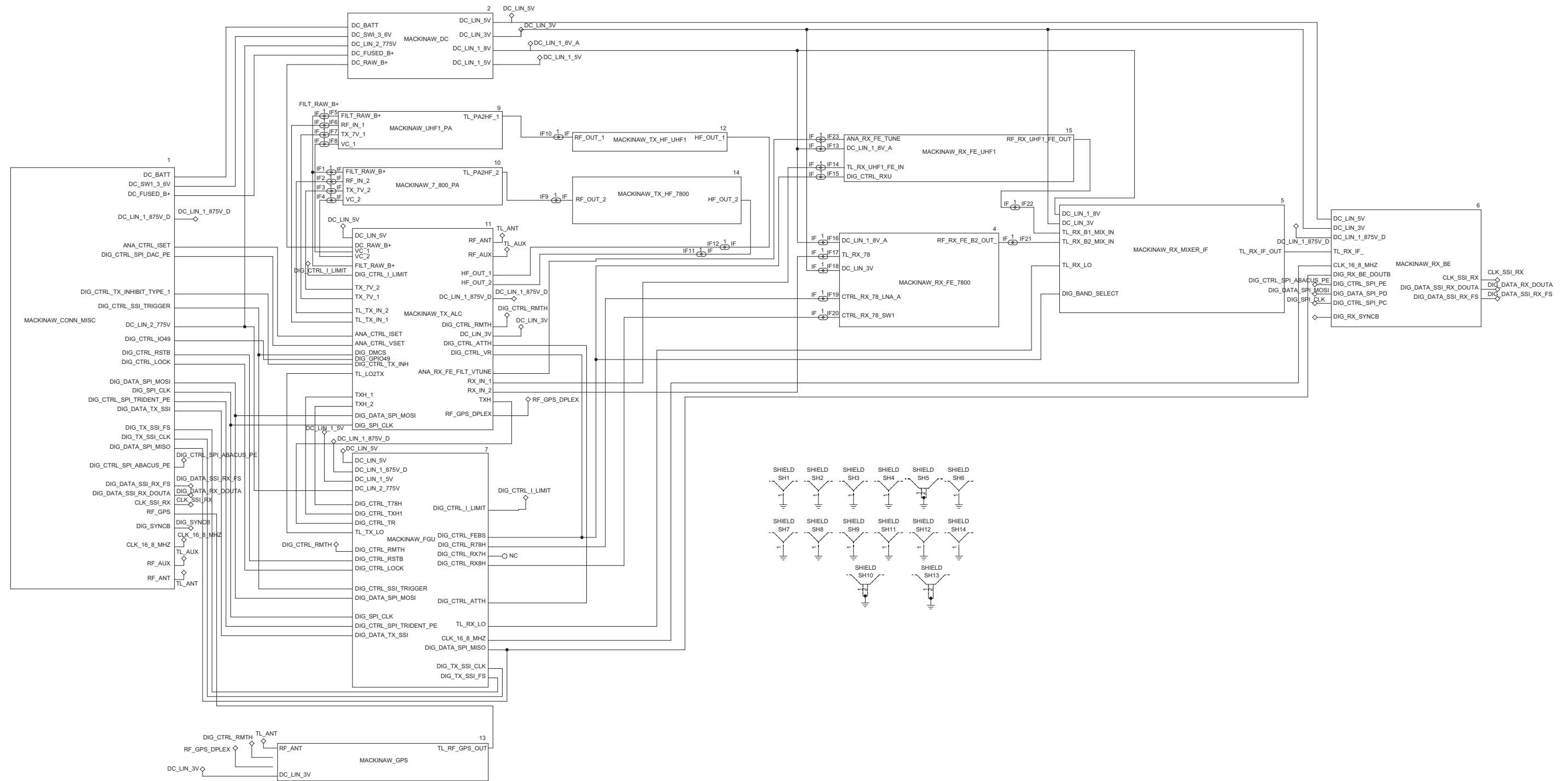


Figure 8-21. MNUS4000A/C/E Transceiver (RF) Board Overall Circuit Schematic

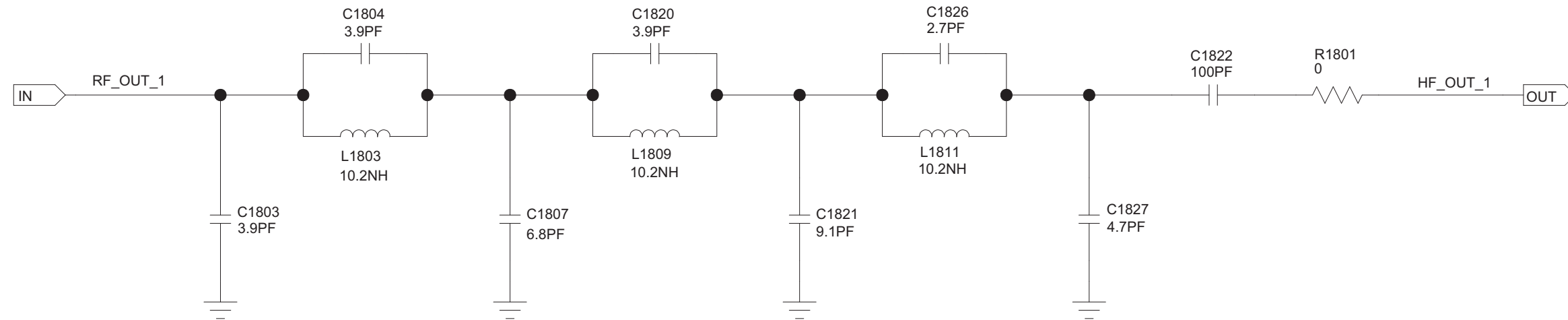


Figure 8-22. MNUS4000A/C/E UHF1 Harmonic Filter Circuit

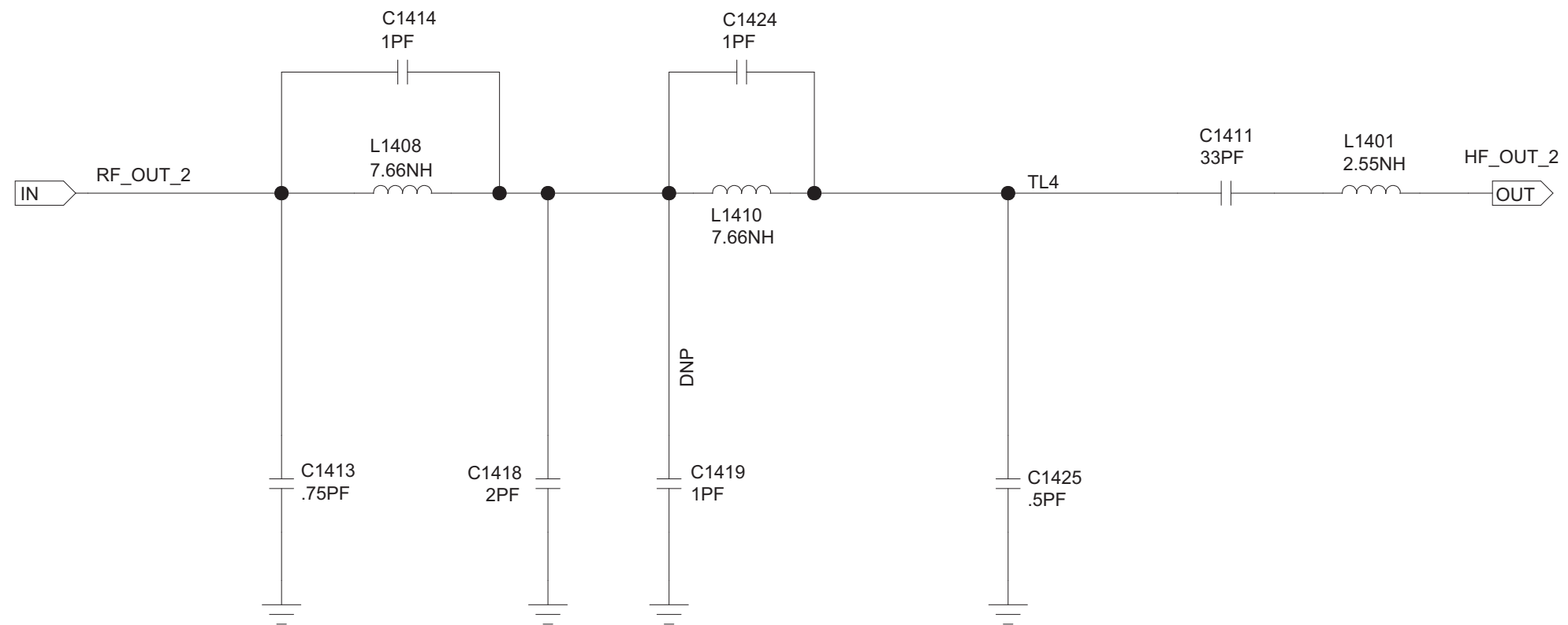


Figure 8-23. MNUS4000A/C/E 700–800 MHz Harmonic Filter Circuit

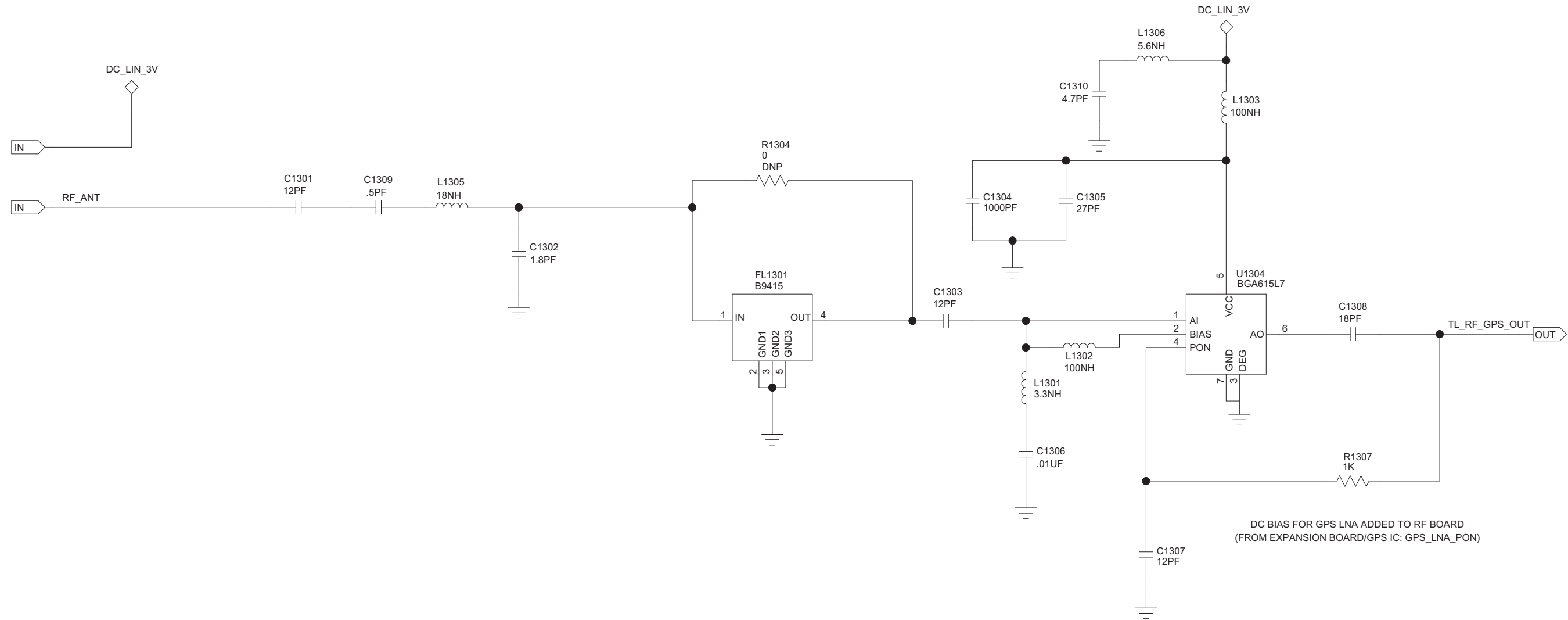


Figure 8-24. MNUS4000A/C/E GPS Circuit

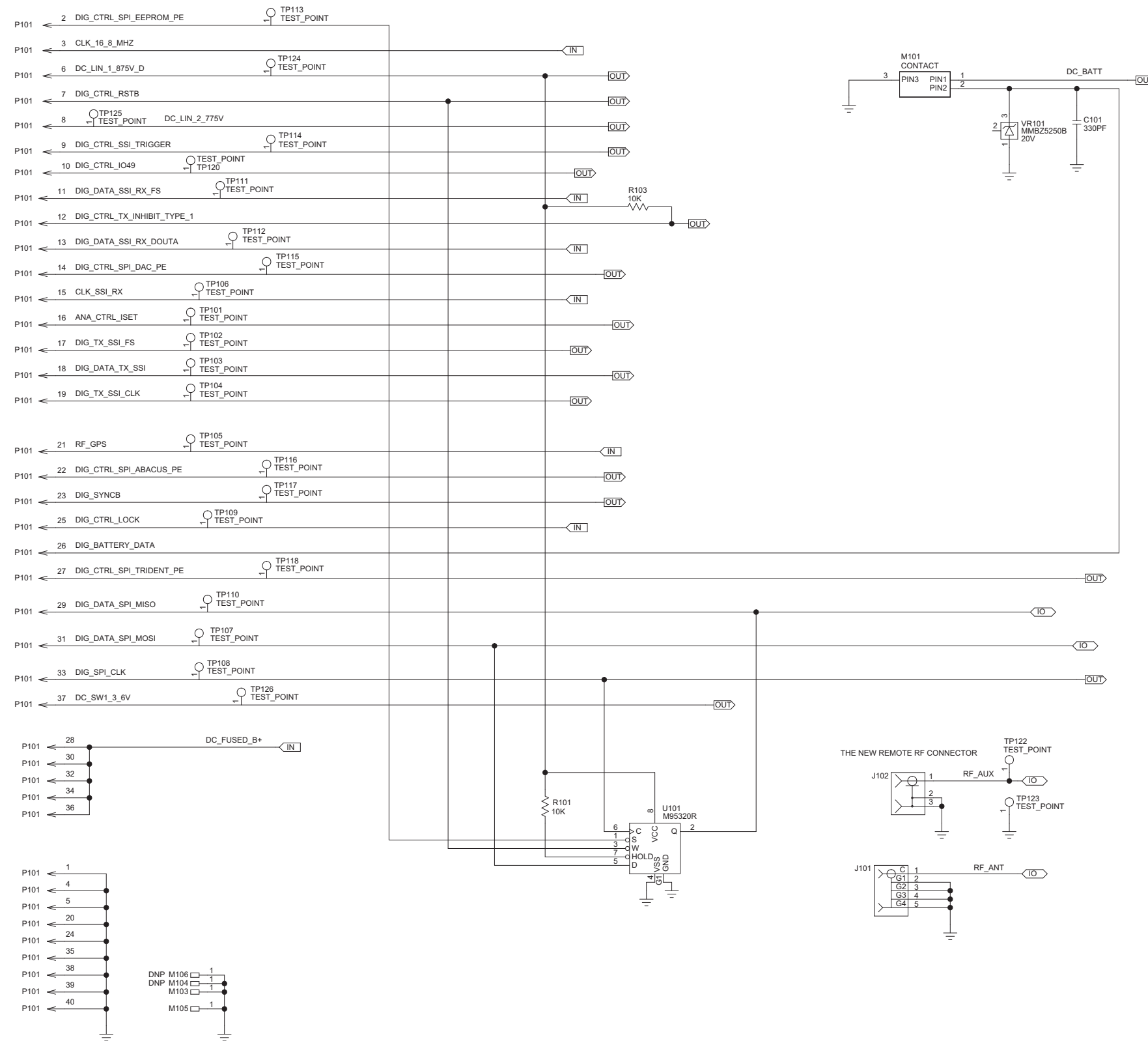


Figure 8-25. MNUS4000A/C/E Miscellaneous Connector Circuit

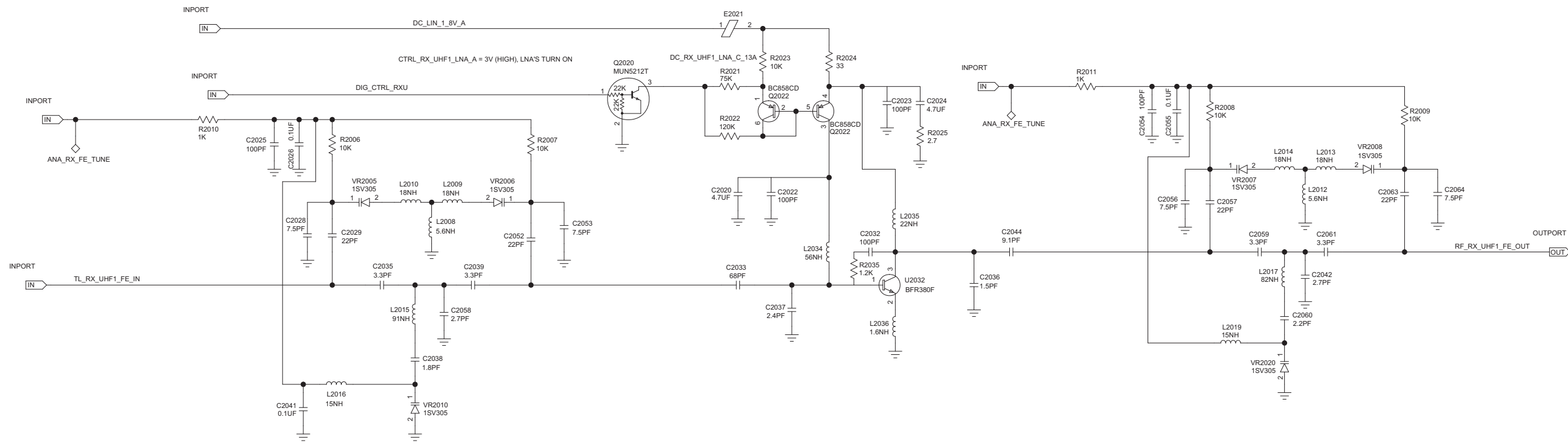


Figure 8-26. MNUS4000A/C/E UHF1 Receiver Front End Circuit

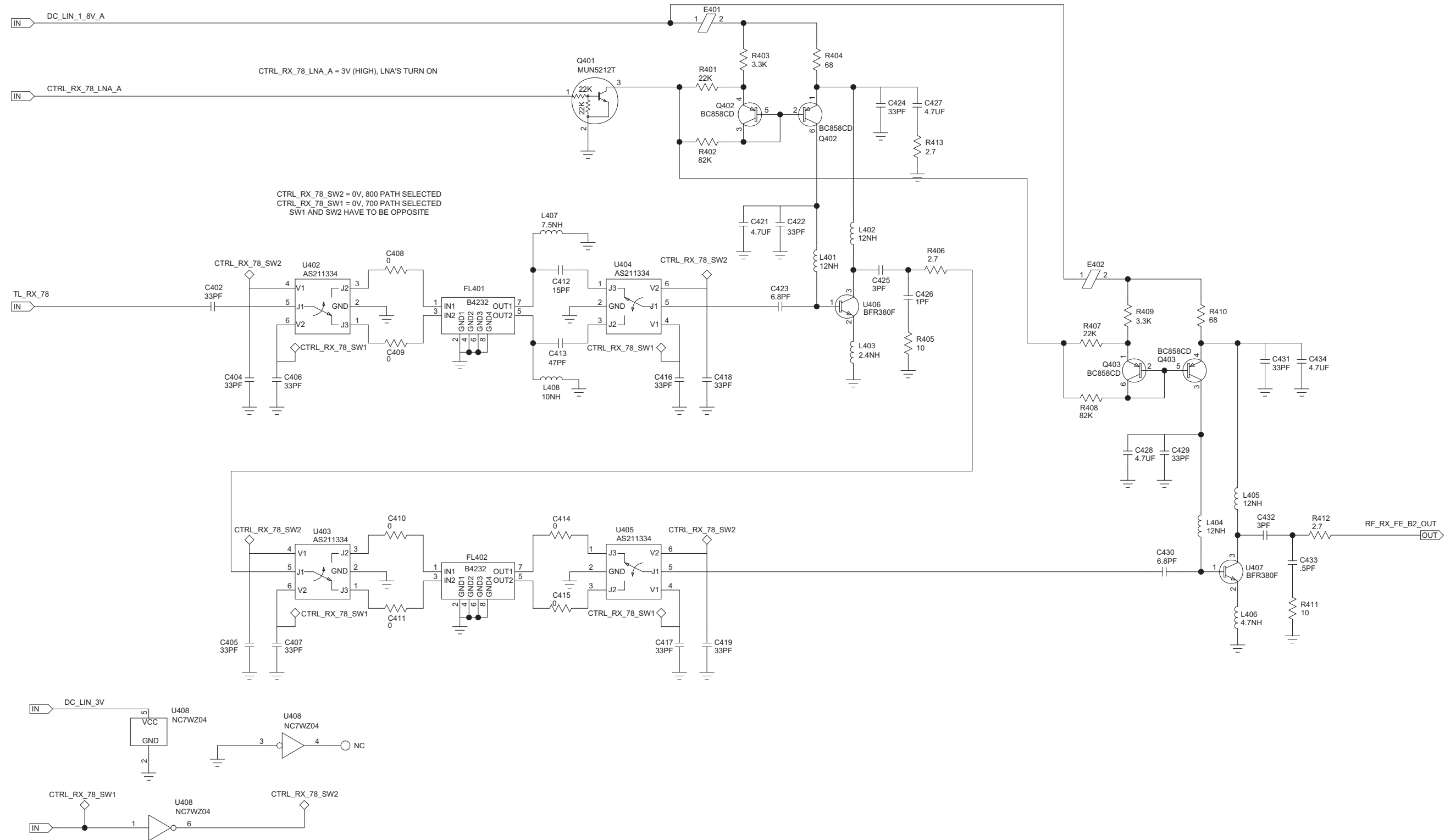


Figure 8-27. MNUS4000A/C/E 700–800 MHz Receiver Front End Circuit

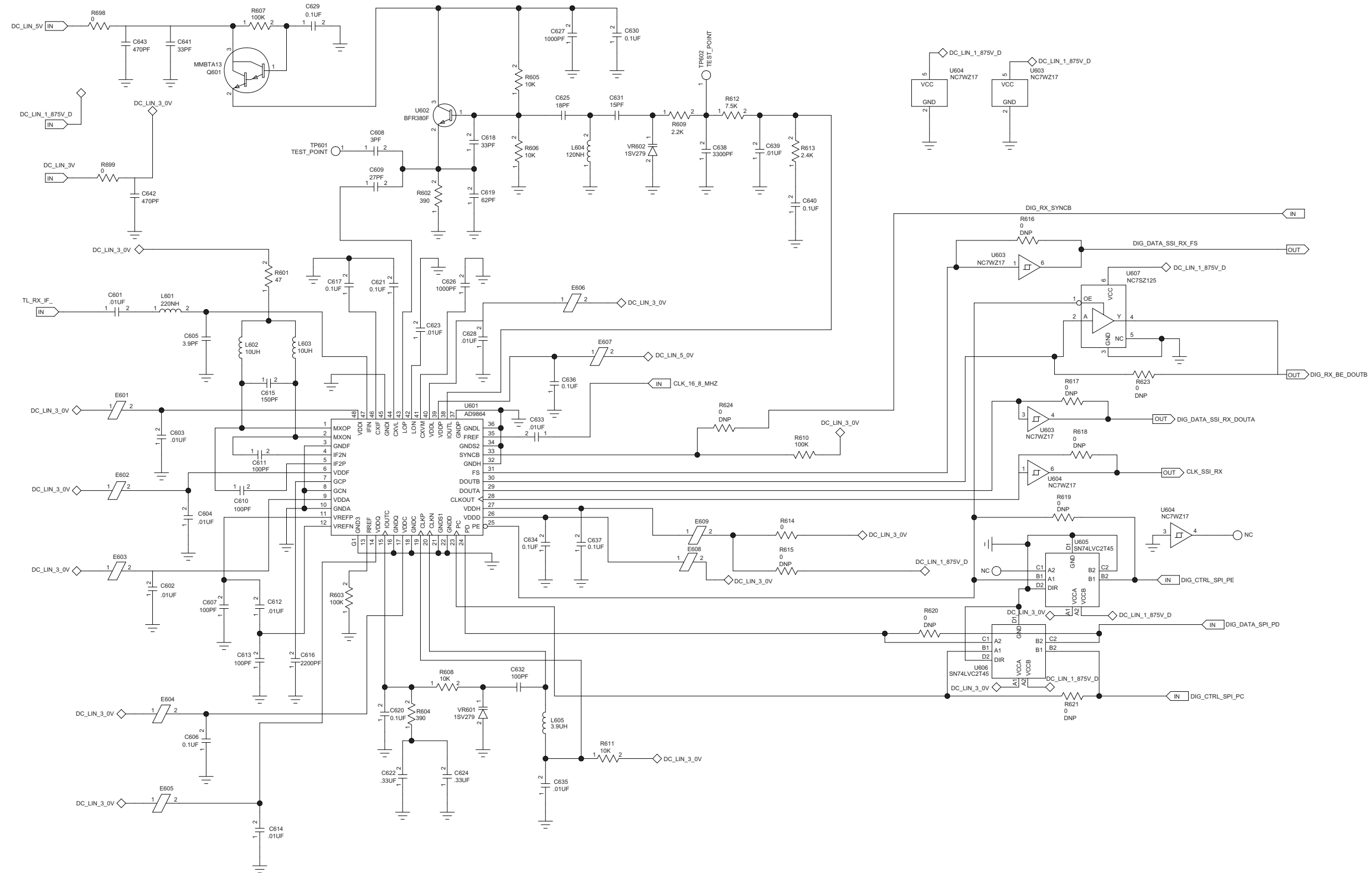


Figure 8-28. MNUS4000A/C/E Receiver Back End Circuit

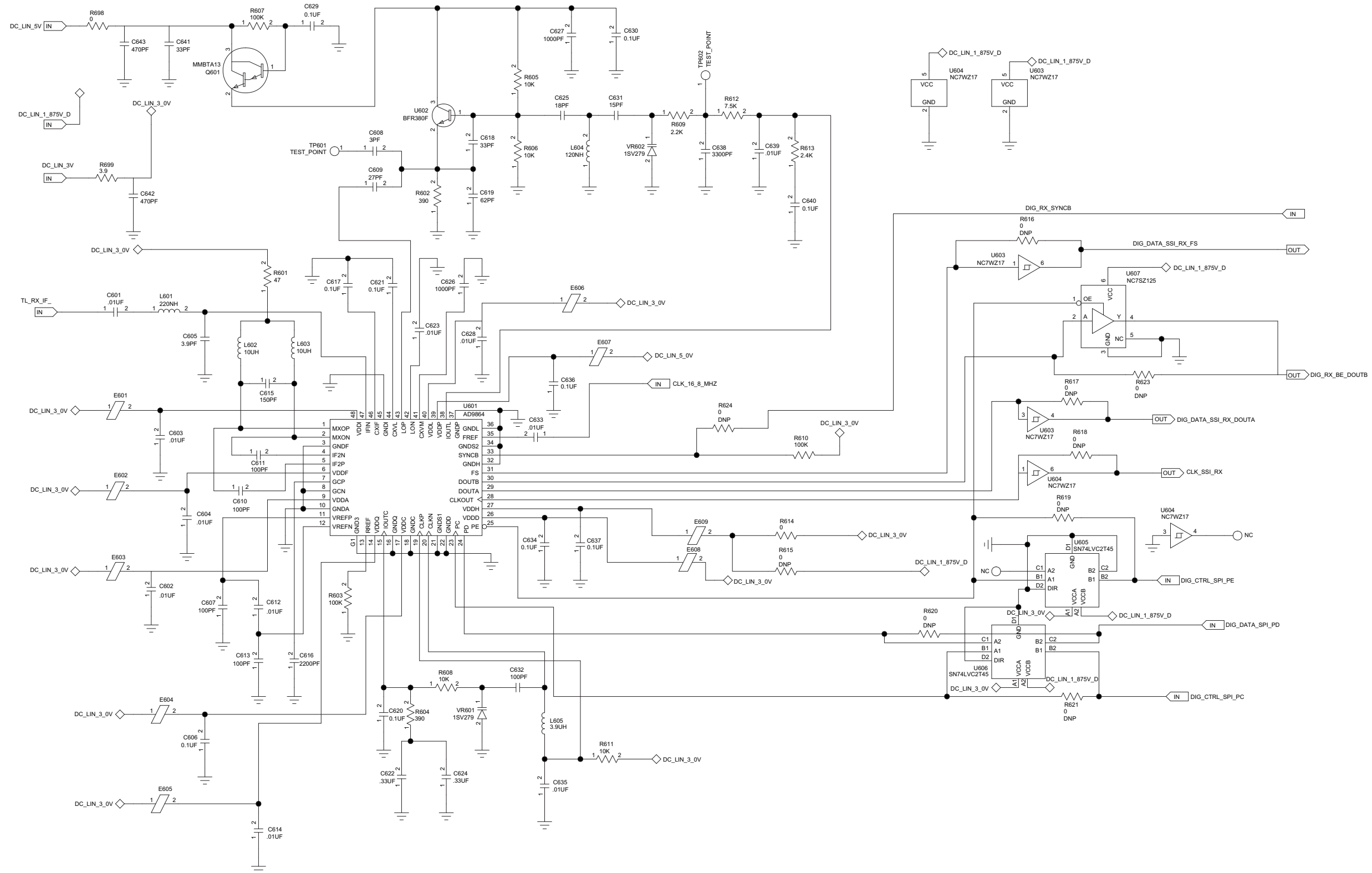


Figure 8-29. MNUS4000E Receiver Back End Circuit

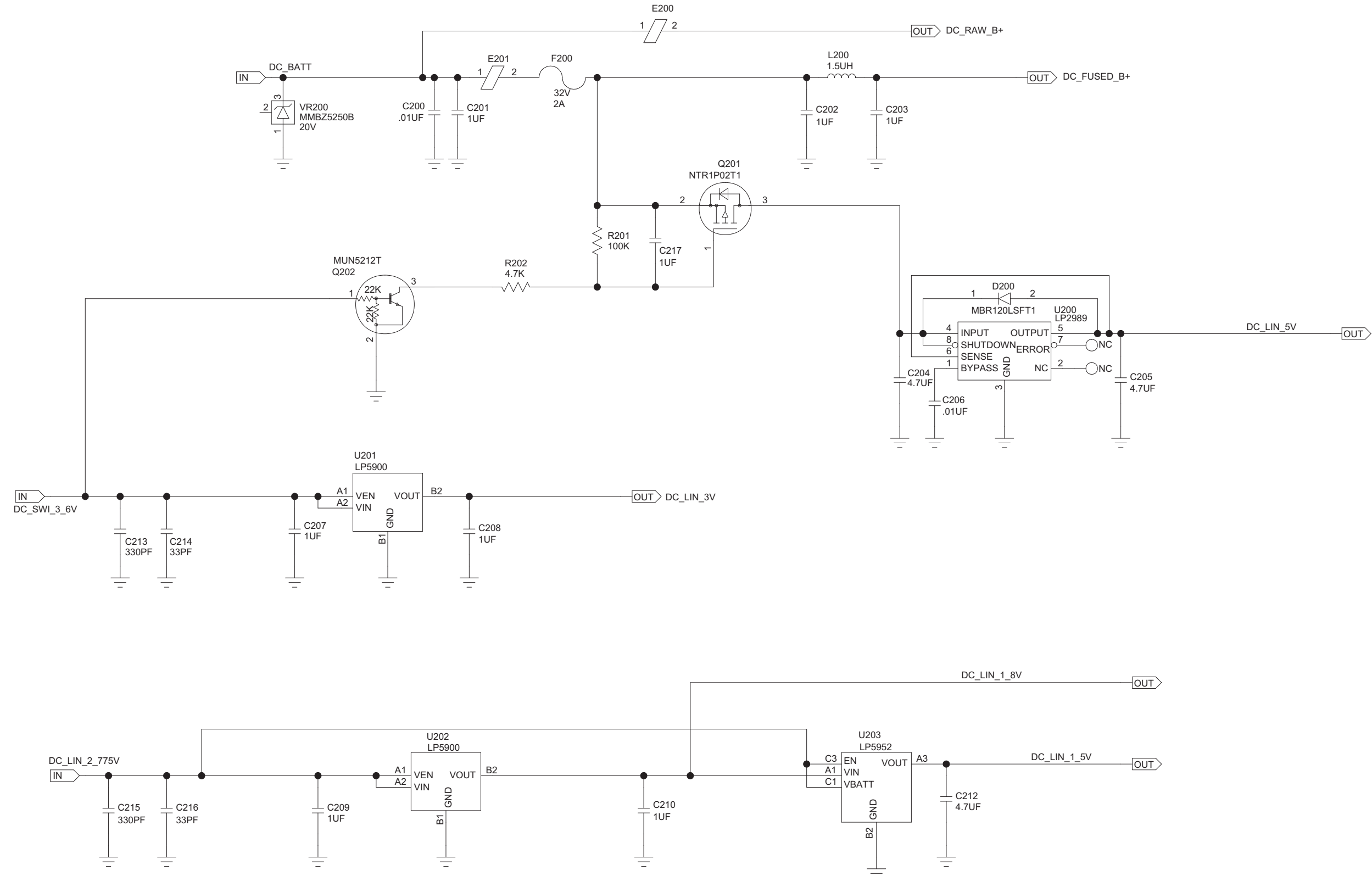


Figure 8-30. MNUS4000A/C/E DC Power Circuit

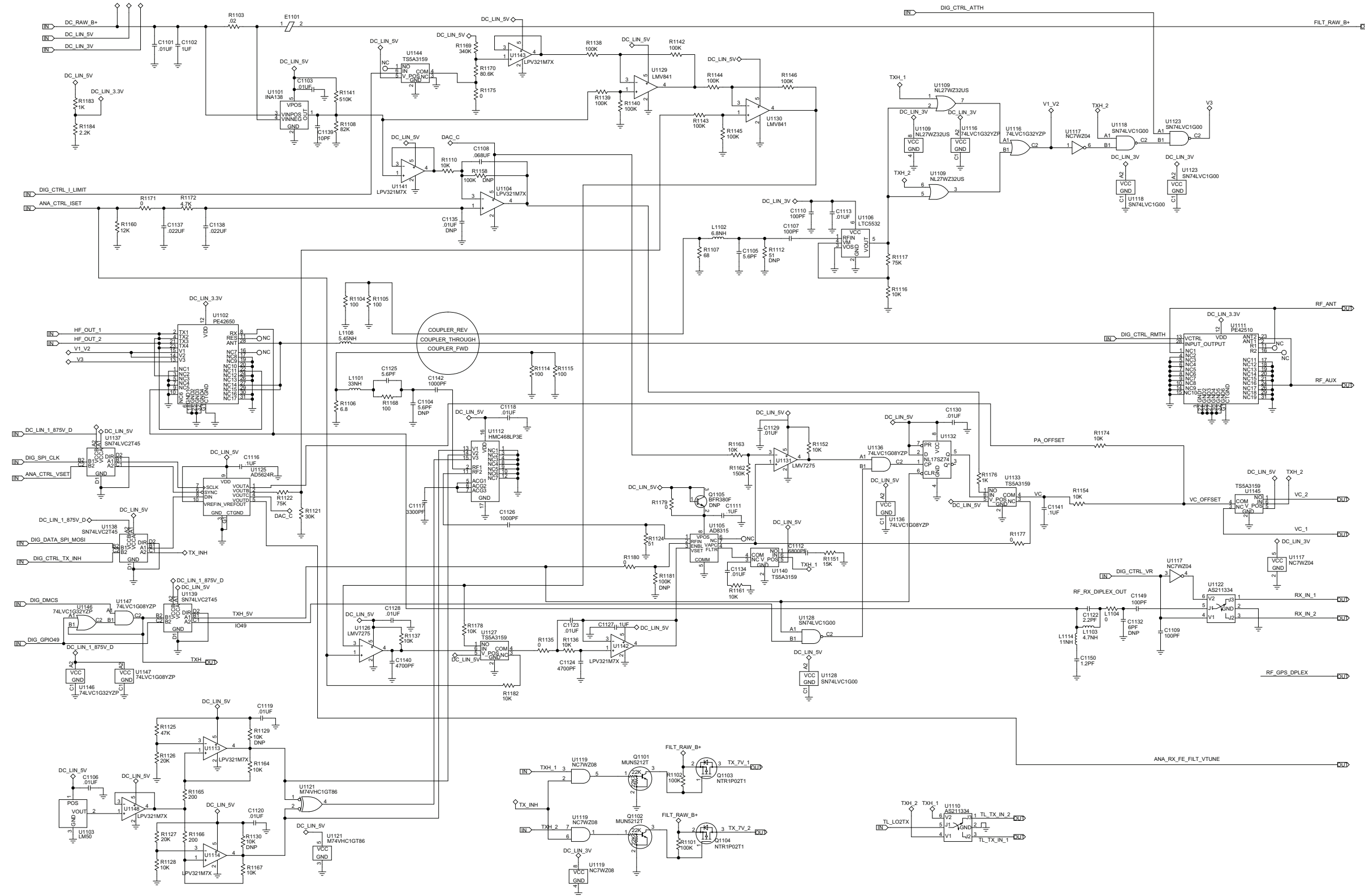


Figure 8-31. MNUS4000A/C/E Transmitter and Automatic Level Control Circuits

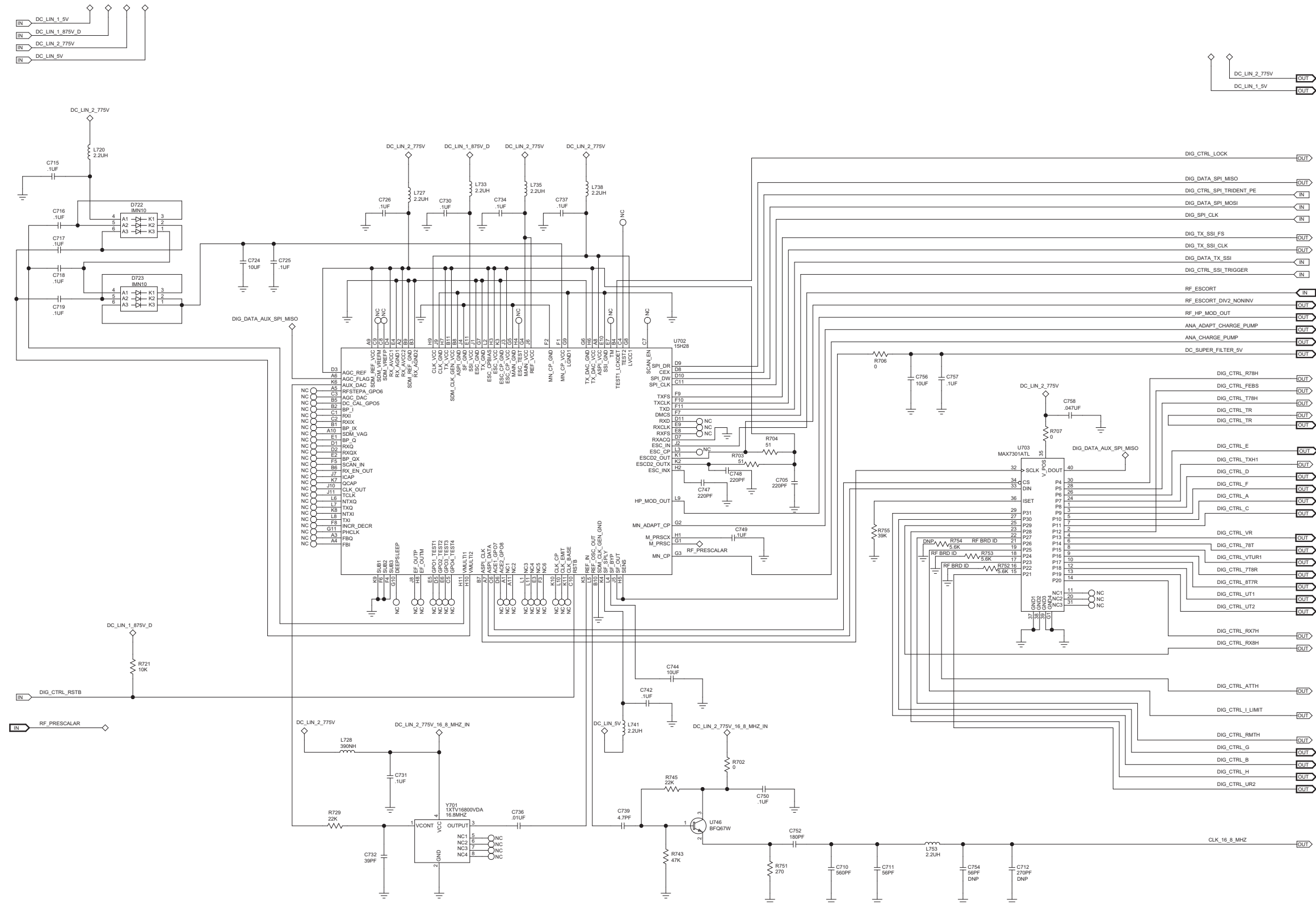


Figure 8-32. MNUS4000A/C/E Frequency Generation Unit (Synthesizer) Circuit – 1 of 2

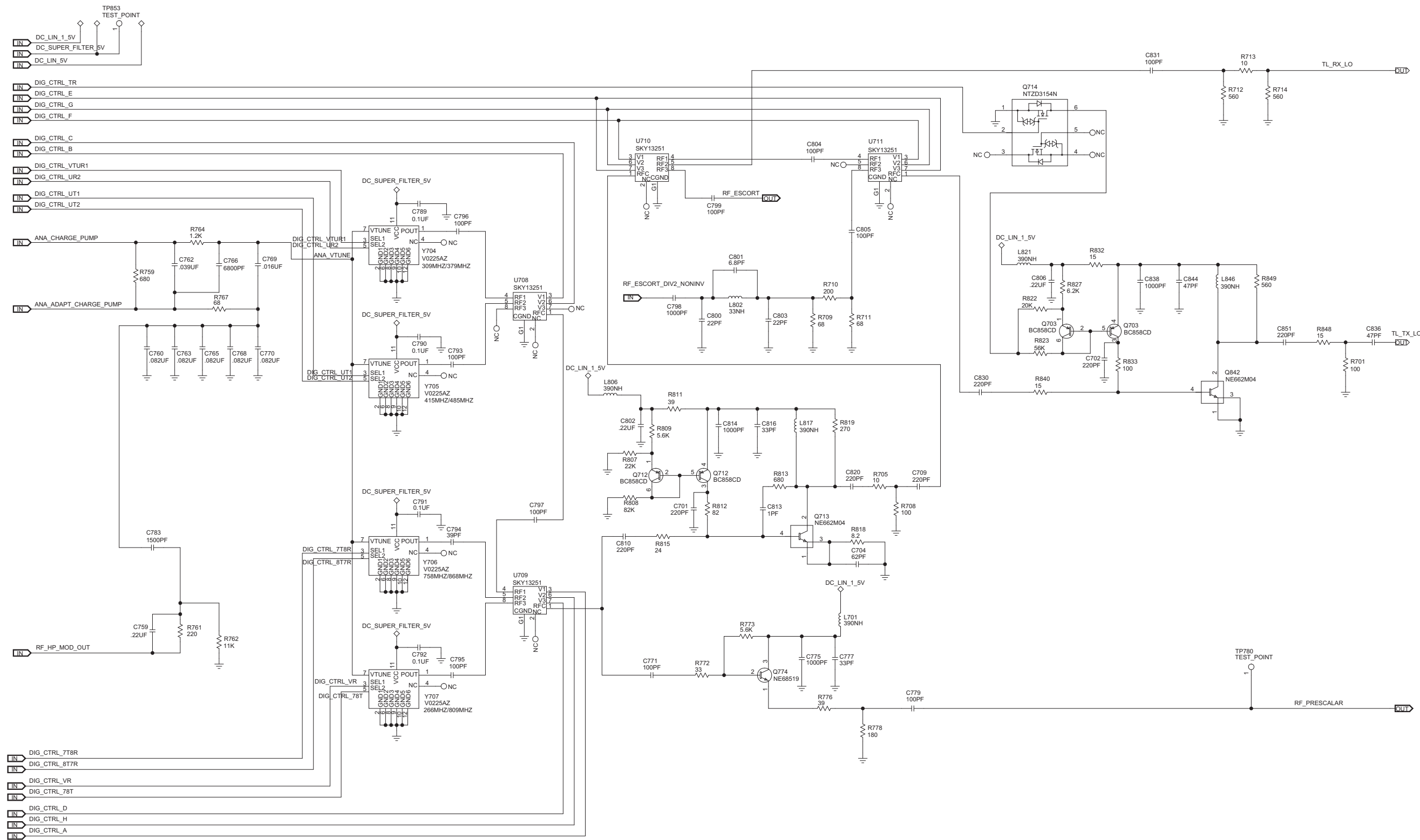


Figure 8-33. MNUS4000A/C/E Frequency Generation Unit (VCO) Circuit – 2 of 2

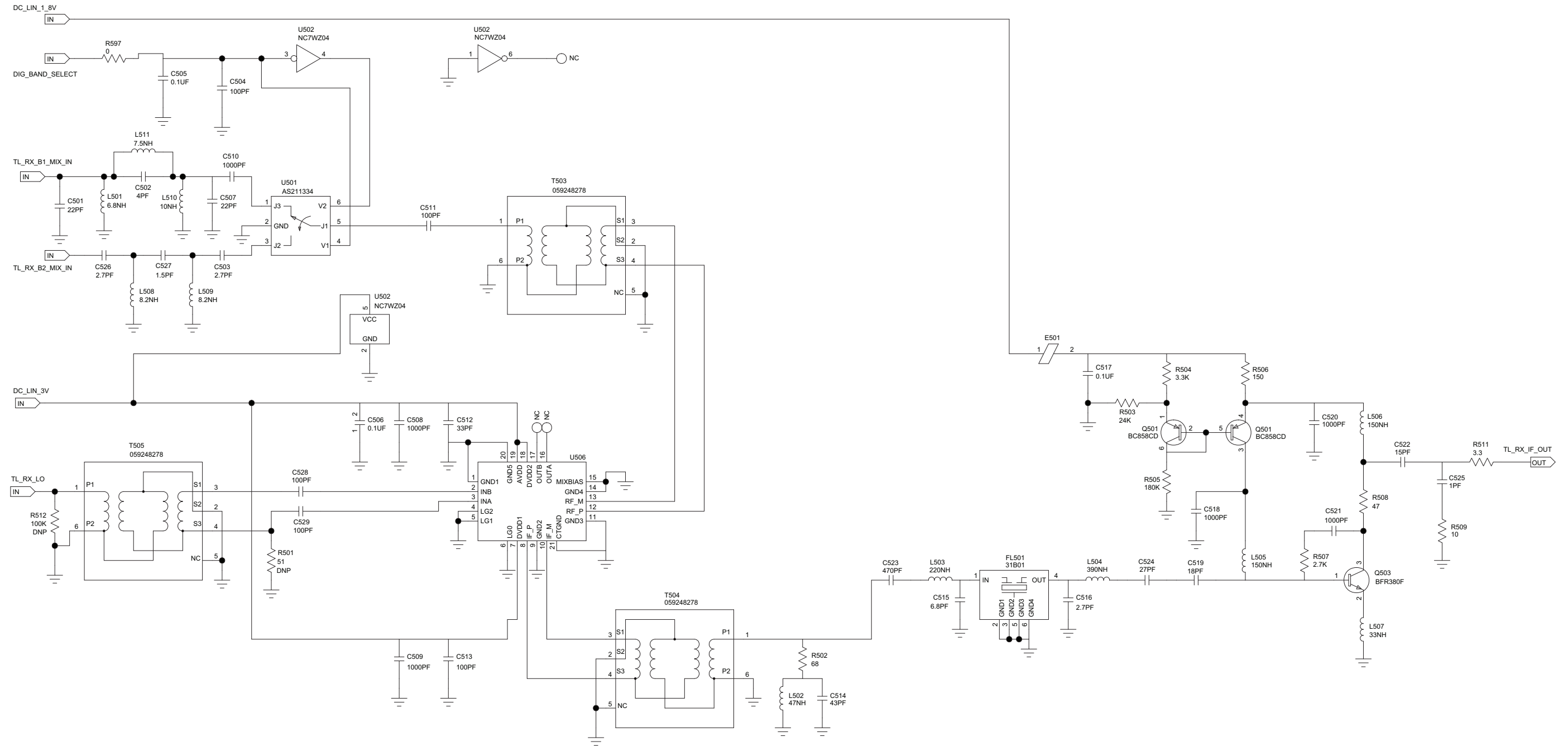


Figure 8-34. MNUS4000A/C/E Mixer and IF Filter Circuits

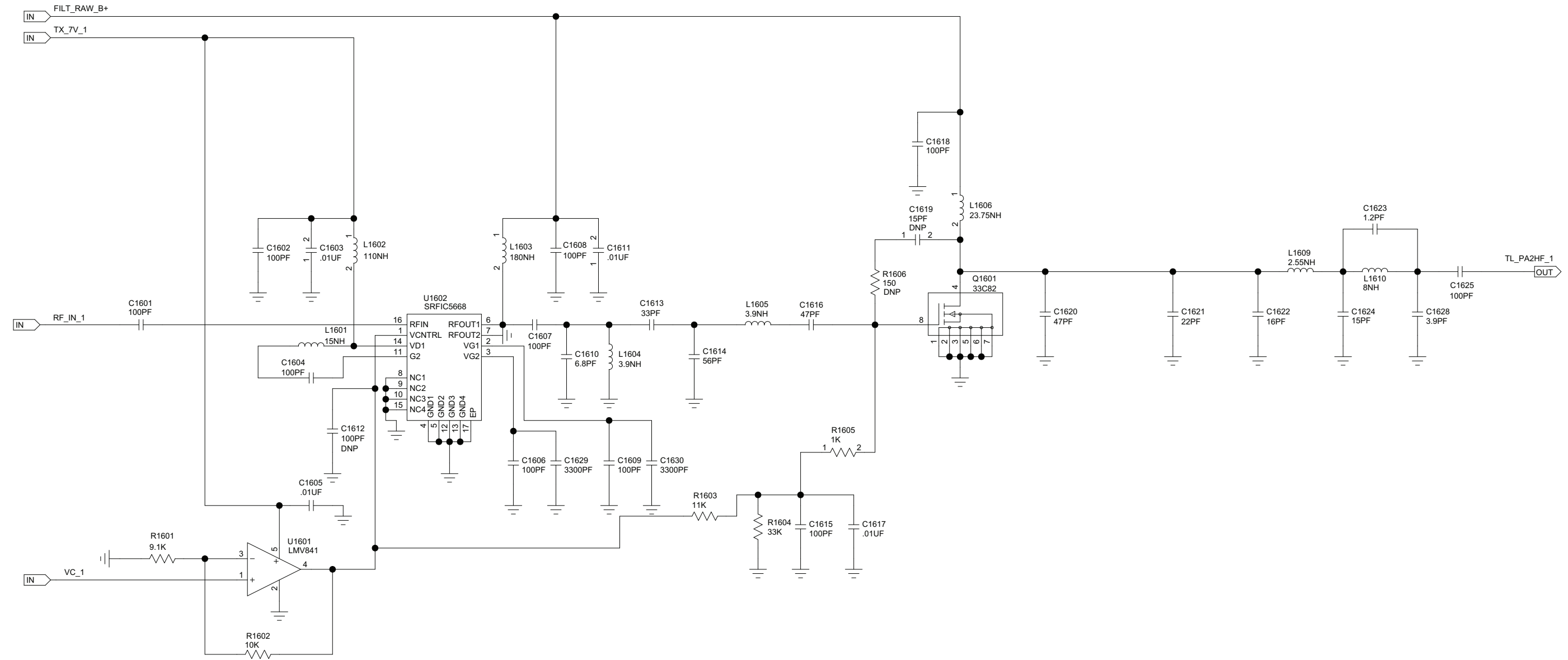


Figure 8-35. MNUS4000A/E UHF1 Power Amplifier Circuit

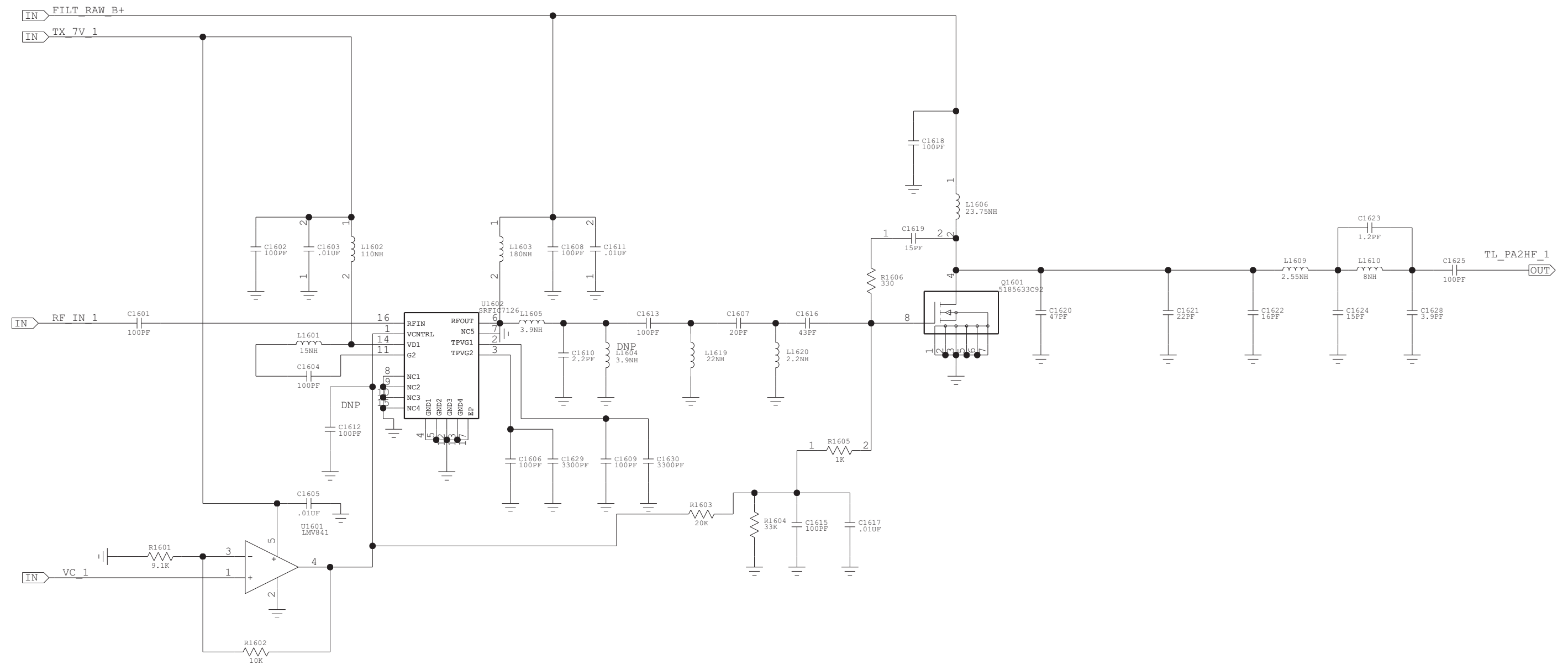


Figure 8-36. MNUS4000C/F UHF1 Power Amplifier Circuit

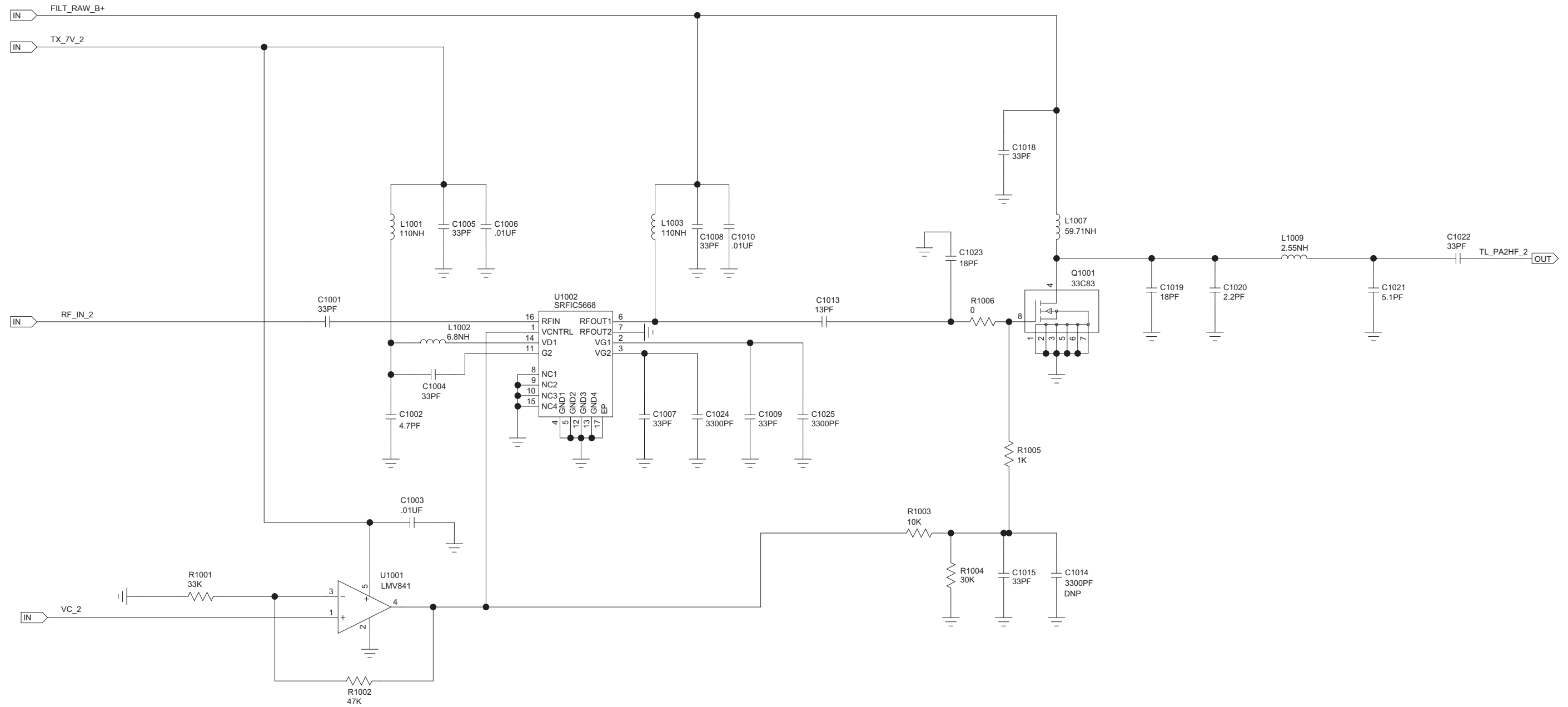


Figure 8-37. MNUS4000A/C/E/F 700–800 MHz Power Amplifier Circuit

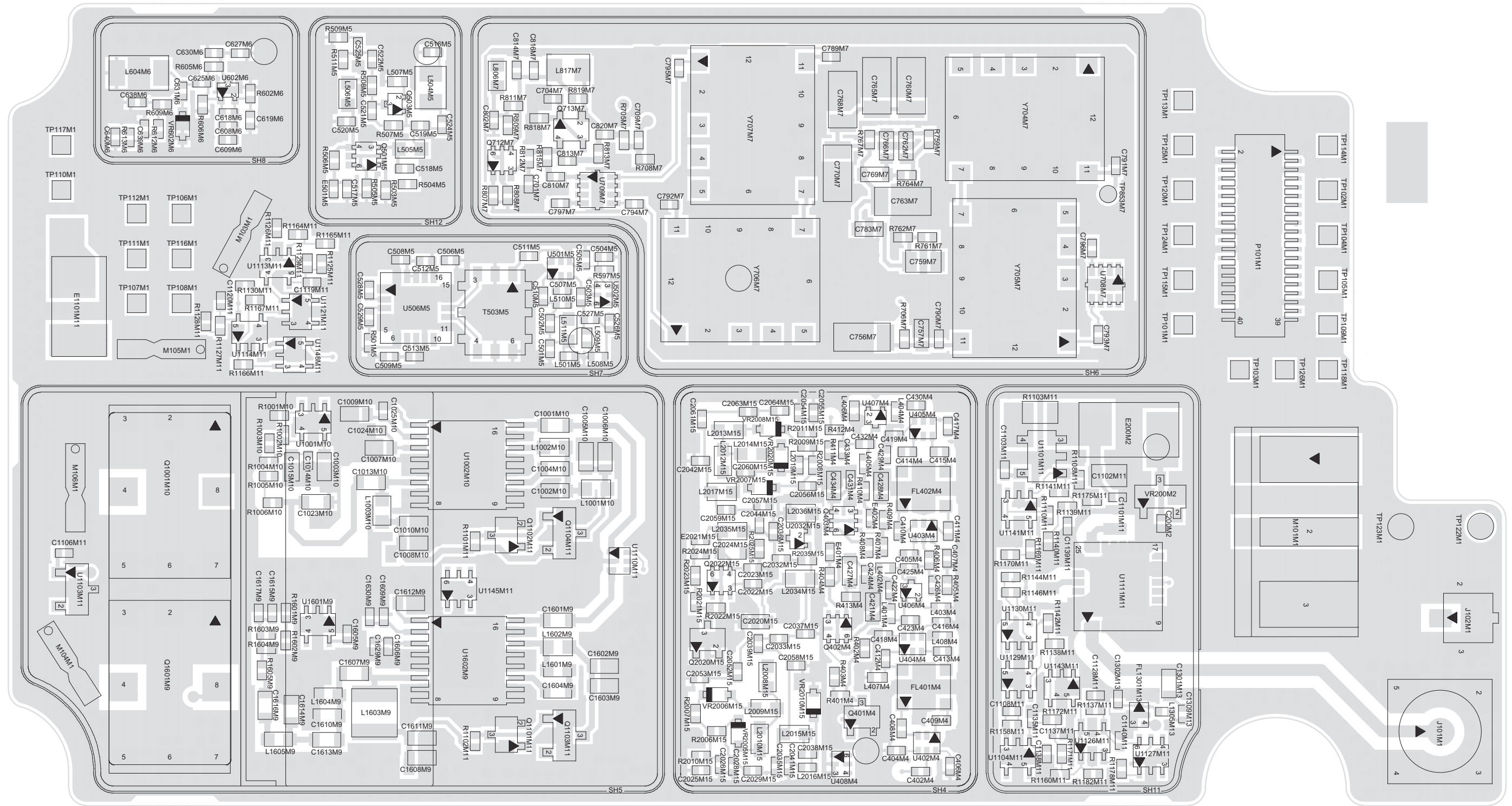


Figure 8-39. MNUS4000A/E Transceiver (RF) Board Layout – Side 2

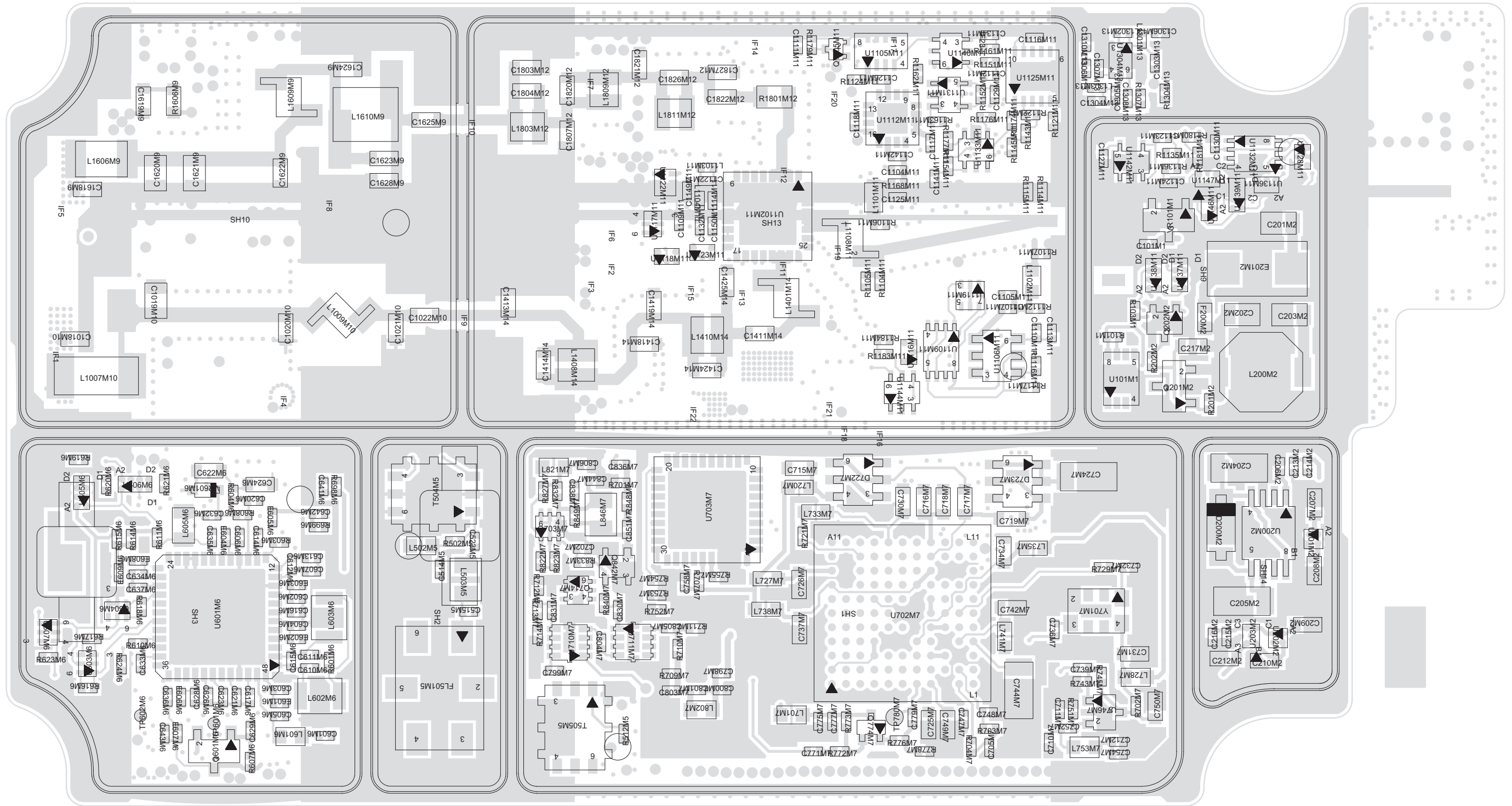


Figure 8-40. MNUS4000C/F Transceiver (RF) Board Layout – Side 1

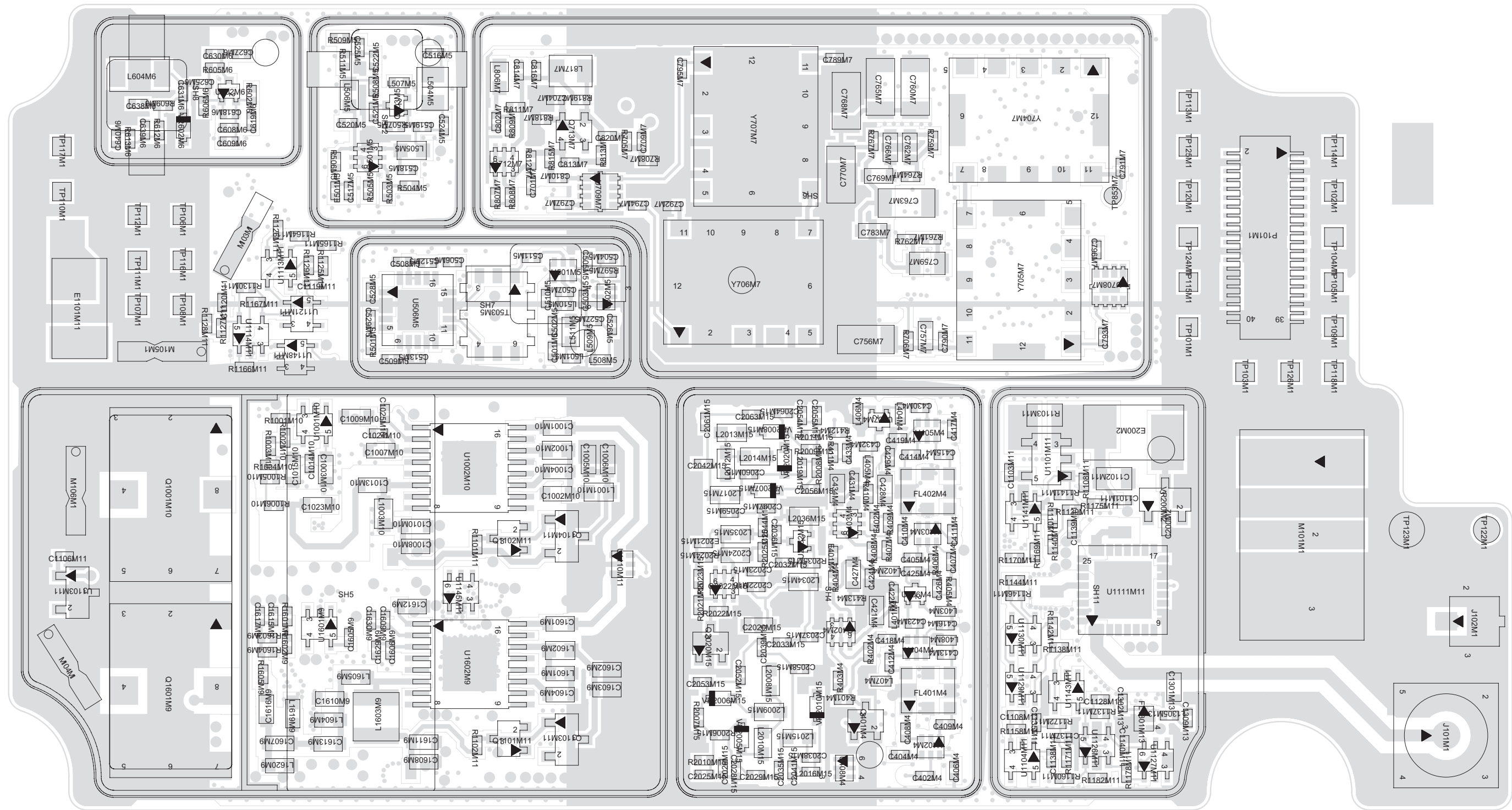


Figure 8-41. MNUS4000C/F Transceiver (RF) Board Layout – Side 2

MNUS4000A UHF1 / 700–800 MHz Transceiver (RF) Board Parts List

Ref. Des.	Part Number	Description
C101	2113944A46	CAP CER CHP 330.0 PF 50V 5%
C200	2113945B02	CAP CER CHP 10,000PF 25V 10%
C201	2188468Y01	CAP CER 25V X7R 0805 1UF
C202	2188468Y01	CAP CER 25V X7R 0805 1UF
C203	2188468Y01	CAP CER 25V X7R 0805 1UF
C204	2113955D35	CAP,FXD,4.7UF,+10%,-10%, 16V-DC,1206,X7R,-55DEG CMIN, 125DEG CMAX
C205	2113955D35	CAP,FXD,4.7UF,+10%,-10%, 16V-DC,1206,X7R,-55DEG CMIN, 125DEG CMAX
C206	2113945B02	CAP CER CHP 10,000PF 25V 10%
C207	2113956B91	CAP,FXD,1UF,+10%,-10%,16V-DC,0603,X5R,-55DEG CMIN, 85DEG CMAX,PB
C208	2113956B91	CAP,FXD,1UF,+10%,-10%,16V-DC,0603,X5R,-55DEG CMIN, 85DEG CMAX,PB
C209	2113956B91	CAP,FXD,1UF,+10%,-10%,16V-DC,0603,X5R,-55DEG CMIN, 85DEG CMAX,PB
C210	2113956B91	CAP,FXD,1UF,+10%,-10%,16V-DC,0603,X5R,-55DEG CMIN, 85DEG CMAX,PB
C212	2113946D07	CAP,CHIP,4.7UF,+10%,-10%, 6.3V-DC,0603,X5R,-55DEG CMIN,85DEG CMA
C213	2113944A46	CAP CER CHP 330.0 PF 50V 5%
C214	2113944A31	CAP CER CHP 33.0PF 50V 5%
C215	2113944A46	CAP CER CHP 330.0 PF 50V 5%
C216	2113944A31	CAP CER CHP 33.0PF 50V 5%
C217	2113956B91	CAP,FXD,1UF,+10%,-10%,16V-DC,0603,X5R,-55DEG CMIN, 85DEG CMAX,PB
C402	2113944A31	CAP CER CHP 33.0PF 50V 5%
C404	2113944A31	CAP CER CHP 33.0PF 50V 5%
C405	2113944A31	CAP CER CHP 33.0PF 50V 5%
C406	2113944A31	CAP CER CHP 33.0PF 50V 5%
C407	2113944A31	CAP CER CHP 33.0PF 50V 5%
C408	0613952R66	CER CHIP RES 0.0 +/-0.050 OHM

Ref. Des.	Part Number	Description
C409	0613952R66	CER CHIP RES 0.0 +/-0.050 OHM
C410	0613952R66	CER CHIP RES 0.0 +/-0.050 OHM
C411	0613952R66	CER CHIP RES 0.0 +/-0.050 OHM
C412	2113944A27	CAP CER CHP 15.0PF 50V 5%
C413	2113944A33	CAP CER CHP 47.0PF 50V 5%
C414	0613952R66	CER CHIP RES 0.0 +/-0.050 OHM
C415	0613952R66	CER CHIP RES 0.0 +/-0.050 OHM
C416	2113944A31	CAP CER CHP 33.0PF 50V 5%
C417	2113944A31	CAP CER CHP 33.0PF 50V 5%
C418	2113944A31	CAP CER CHP 33.0PF 50V 5%
C419	2113944A31	CAP CER CHP 33.0PF 50V 5%
C421	2113946D07	CAP,CHIP,4.7UF,+10%,-10%, 6.3V-DC,0603,X5R,-55DEG CMIN,85DEG CMA
C422	2113944A31	CAP CER CHP 33.0PF 50V 5%
C423	2113944A21	CAP CER CHP 6.8PF 50V +/- 0.5PF
C424	2113944A31	CAP CER CHP 33.0PF 50V 5%
C425	2113944A12	CAP CER CHP 3.0PF 50V +/- 0.25PF
C426	2113944A63	CAP,FXD,1PF,.25PF+/-,50V-DC, 0402,C0G,-55DEG CMIN, 125DEG CMAX,P
C427	2113946D07	CAP,CHIP,4.7UF,+10%,-10%, 6.3V-DC,0603,X5R,-55DEG CMIN,85DEG CMA
C428	2113946D07	CAP,CHIP,4.7UF,+10%,-10%, 6.3V-DC,0603,X5R,-55DEG CMIN,85DEG CMA
C429	2113944A31	CAP CER CHP 33.0PF 50V 5%
C430	2113944A21	CAP CER CHP 6.8PF 50V +/- 0.5PF
C431	2113944A31	CAP CER CHP 33.0PF 50V 5%
C432	2113944A12	CAP CER CHP 3.0PF 50V +/- 0.25PF
C433	2113944A61	CAP,FXD,.5PF,.25PF+/-,50V-DC, 0402,C0G,-55DEG CMIN, 125DEG CMAX
C434	2113946D07	CAP,CHIP,4.7UF,+10%,-10%, 6.3V-DC,0603,X5R,-55DEG CMIN,85DEG CMA
C501	2115153H41	CAP,CERAMIC CHIP,22PF,+1%, -1%,50V-
C502	2115153H28	CAP, CERAMIC, COG

Ref. Des.	Part Number	Description
C503	2113944V13	CAP,FXD,2.7PF,.1PF+/-,50V-DC, 0402,C0G,-55DEG CMIN, 125DEG CMAX
C504	2113944A40	CAP CER CHP 100.0PF 50V 5%
C505	2113946B04	CAP CER CHP 0.10UF 10V 10%
C506	2113946B04	CAP CER CHP 0.10UF 10V 10%
C507	2115153H41	CAP,CERAMIC CHIP,22PF,+1%, -1%,50V-
C508	2113945A09	CAP CER CHP 1000PF 50V 10%
C509	2113945A09	CAP CER CHP 1000PF 50V 10%
C510	2113944A52	CAP CER CHP 1000.0 PF 50V 5%
C511	2113944A40	CAP CER CHP 100.0PF 50V 5%
C512	2113944A31	CAP CER CHP 33.0PF 50V 5%
C513	2113944A40	CAP CER CHP 100.0PF 50V 5%
C514	2113944A84	CAP,FXD,43PF,+5%,-5%,50V-DC, 0402,C0G,-55DEG CMIN, 125DEG CMAX,PB
C515	2113944A21	CAP CER CHP 6.8PF 50V +/- 0.5PF
C516	2113944A11	CAP CER CHP 2.7PF 50V +/- 0.25PF
C517	2113946B04	CAP CER CHP 0.10UF 10V 10%
C518	2113945A09	CAP CER CHP 1000PF 50V 10%
C519	2113944A28	CAP CER CHP 18.0PF 50V 5%
C520	2113945A09	CAP CER CHP 1000PF 50V 10%
C521	2113945A09	CAP CER CHP 1000PF 50V 10%
C522	2113944A27	CAP CER CHP 15.0PF 50V 5%
C523	2113944A48	CAP CER CHP 470.0 PF 50V 5%
C524	2113944A30	CAP CER CHP 27.0PF 50V 5%
C525	2115153H03	CAP, CERAMIC, COG
C526	2113944V13	CAP,FXD,2.7PF,.1PF+/-,50V-DC, 0402,C0G,-55DEG CMIN, 125DEG CMAX
C527	2113944V07	CAP,FXD,1.5PF,.1PF+/-,50V-DC, 0402,C0G,-55DEG CMIN, 125DEG CMAX
C528	2113944A40	CAP CER CHP 100.0PF 50V 5%
C529	2113944A40	CAP CER CHP 100.0PF 50V 5%
C601	2113945B02	CAP CER CHP 10,000PF 25V 10%
C602	2113945B02	CAP CER CHP 10,000PF 25V 10%

Ref. Des.	Part Number	Description
C603	2113945B02	CAP CER CHP 10,000PF 25V 10%
C604	2113945B02	CAP CER CHP 10,000PF 25V 10%
C605	2113944A15	CAP CER CHP 3.9PF 50V +/- 0.25PF
C606	2113946B04	CAP CER CHP 0.10UF 10V 10%
C607	2113944A40	CAP CER CHP 100.0PF 50V 5%
C608	2113944A12	CAP CER CHP 3.0PF 50V +/- 0.25PF
C609	2113944A30	CAP CER CHP 27.0PF 50V 5%
C610	2113944A40	CAP CER CHP 100.0PF 50V 5%
C611	2113944A40	CAP CER CHP 100.0PF 50V 5%
C612	2113945B02	CAP CER CHP 10,000PF 25V 10%
C613	2113944A40	CAP CER CHP 100.0PF 50V 5%
C614	2113945B02	CAP CER CHP 10,000PF 25V 10%
C615	2113944A42	CAP CER CHP 150.0PF 50V 5%
C616	2113945A11	CAP CER CHP 2200PF 50V 10%
C617	2113946B04	CAP CER CHP 0.10UF 10V 10%
C618	2113944A31	CAP CER CHP 33.0PF 50V 5%
C619	2113944A35	CAP CER CHP 62.0PF 50V 5%
C620	2113946B04	CAP CER CHP 0.10UF 10V 10%
C621	2113946B04	CAP CER CHP 0.10UF 10V 10%
C622	2113946C07	CAP,FXD,.33UF,+10%,-10%, 10V-DC,0603,X5R,-55DEG CMIN, 85DEG CMAX
C623	2113945B02	CAP CER CHP 10,000PF 25V 10%
C624	2113946C07	CAP,FXD,.33UF,+10%,-10%, 10V-DC,0603,X5R,-55DEG CMIN,85DEG CMAX
C625	2113944A28	CAP CER CHP 18.0PF 50V 5%
C626	2113945A09	CAP CER CHP 1000PF 50V 10%
C627	2113945A09	CAP CER CHP 1000PF 50V 10%
C628	2113945B02	CAP CER CHP 10,000PF 25V 10%
C629	2113946B04	CAP CER CHP 0.10UF 10V 10%
C630	2113946B04	CAP CER CHP 0.10UF 10V 10%
C631	2113944A27	CAP CER CHP 15.0PF 50V 5%
C632	2113944A40	CAP CER CHP 100.0PF 50V 5%

Ref. Des.	Part Number	Description	Ref. Des.	Part Number	Description	Ref. Des.	Part Number	Description	Ref. Des.	Part Number	Description
C633	2113945B02	CAP CER CHP 10,000PF 25V 10%	C726	2113945C31	CAP,FXD,.1UF,+10%,-10%,50V-DC,0603,X7R,-55DEG CMIN, 125DEG CMAX	C760	2113944G97	CAP,FXD,.082UF,+5%,-5%,50V-DC,1206,C0G,-55DEG CMIN, 125DEG CMAX	C803	2113944A29	CAP CER CHP 22.0PF 50V 5%
C634	2113946B04	CAP CER CHP 0.10UF 10V 10%	C730	2113945C31	CAP,FXD,.1UF,+10%,-10%,50V-DC,0603,X7R,-55DEG CMIN, 125DEG CMAX	C762	2113945C26	CAP,FXD,.039UF,+10%,-10%,50V-DC,0603,X7R,-55DEG CMIN,125DEG CMA	C804	2113944A40	CAP CER CHP 100.0PF 50V 5%
C635	2113945B02	CAP CER CHP 10,000PF 25V 10%	C731	2113945C31	CAP,FXD,.1UF,+10%,-10%,50V-DC,0603,X7R,-55DEG CMIN, 125DEG CMAX	C763	2113944G97	CAP,FXD,.082UF,+5%,-5%,50V-DC,1206,C0G,-55DEG CMIN, 125DEG CMAX	C805	2113944A40	CAP CER CHP 100.0PF 50V 5%
C636	2113946B04	CAP CER CHP 0.10UF 10V 10%	C732	2113944A32	CAP CER CHP 39.0PF 50V 5%	C765	2113944G97	CAP,FXD,.082UF,+5%,-5%,50V-DC,1206,C0G,-55DEG CMIN, 125DEG CMAX	C806	2113946B06	CAP,CHIP,.22UF,+10%,-10%,10V-DC,0402,X5R,-55DEG CMIN,8 5DEG CMAX
C637	2113946B04	CAP CER CHP 0.10UF 10V 10%	C734	2113945C31	CAP,FXD,.1UF,+10%,-10%,50V-DC,0603,X7R,-55DEG CMIN, 125DEG CMAX	C766	2113945C01	CAP CER CHP 6800PF 50V 10%	C810	2113944A44	CAP CER CHP 220.0 PF 50V 5%
C638	2113945A12	CAP CER CHP 3300PF 50V 10%	C736	2113945B02	CAP CER CHP 10,000PF 25V 10%	C768	2113944G97	CAP,FXD,.082UF,+5%,-5%,50V-DC,1206,C0G,-55DEG CMIN, 125DEG CMAX	C813	2113944A63	CAP,FXD,1PF,.25PF+/-,50V-DC, 0402,C0G,-55DEG CMIN, 125DEG CMAX,P
C639	2113945B02	CAP CER CHP 10,000PF 25V 10%	C737	2113945C31	CAP,FXD,.1UF,+10%,-10%,50V-DC,0603,X7R,-55DEG CMIN, 125DEG CMAX	C769	2113945C20	CAP,FXD,.016UF,+10%,-10%,50V-DC,0603,X7R,-55DEG CMIN,125DEG CMA	C814	2113945A09	CAP CER CHP 1000PF 50V 10%
C640	2113946B04	CAP CER CHP 0.10UF 10V 10%	C739	2113944A17	CAP CER CHP 4.7PF 50V +/- 0.25PF	C770	2113944G97	CAP,FXD,.082UF,+5%,-5%,50V-DC,1206,C0G,-55DEG CMIN, 125DEG CMAX	C816	2113944A31	CAP CER CHP 33.0PF 50V 5%
C641	2113944A31	CAP CER CHP 33.0PF 50V 5%	C742	2113945C31	CAP,FXD,.1UF,+10%,-10%,50V-DC,0603,X7R,-55DEG CMIN, 125DEG CMAX	C771	2113944A40	CAP CER CHP 100.0PF 50V 5%	C820	2113944A44	CAP CER CHP 220.0 PF 50V 5%
C642	2113944A48	CAP CER CHP 470.0 PF 50V 5%	C744	2113955D37	CAP,FXD,10UF,+10%,-10%,16V-DC,1206,X7R,-55DEG CMIN, 125DEG CMAX	C775	2113945A09	CAP CER CHP 1000PF 50V 10%	C830	2113944A44	CAP CER CHP 220.0 PF 50V 5%
C643	2113944A48	CAP CER CHP 470.0 PF 50V 5%	C747	2113944A44	CAP CER CHP 220.0 PF 50V 5%	C777	2113944A31	CAP CER CHP 33.0PF 50V 5%	C831	2113944A40	CAP CER CHP 100.0PF 50V 5%
C701	2113944A44	CAP CER CHP 220.0 PF 50V 5%	C748	2113944A44	CAP CER CHP 220.0 PF 50V 5%	C779	2113944A40	CAP CER CHP 100.0PF 50V 5%	C836	2113944A33	CAP CER CHP 47.0PF 50V 5%
C702	2113944A44	CAP CER CHP 220.0 PF 50V 5%	C749	2113945C31	CAP,FXD,.1UF,+10%,-10%,50V-DC,0603,X7R,-55DEG CMIN, 125DEG CMAX	C783	2113944C53	CAP CER CHP 1500.OPF 50V 5	C838	2113945A09	CAP CER CHP 1000PF 50V 10%
C704	2113944A35	CAP CER CHP 62.0PF 50V 5%	C750	2113945C31	CAP,FXD,.1UF,+10%,-10%,50V-DC,0603,X7R,-55DEG CMIN, 125DEG CMAX	C789	2113946B04	CAP CER CHP 0.10UF 10V 10%	C844	2113944A33	CAP CER CHP 47.0PF 50V 5%
C705	2113944A44	CAP CER CHP 220.0 PF 50V 5%	C752	2113944A43	CAP CER CHP 180.0PF 50V 5%	C790	2113946B04	CAP CER CHP 0.10UF 10V 10%	C851	2113944A44	CAP CER CHP 220.0 PF 50V 5%
C709	2113944A44	CAP CER CHP 220.0 PF 50V 5%	C754	NOT PLACED	–	C791	2113946B04	CAP CER CHP 0.10UF 10V 10%	C1001	2113944M30	CAP,FXD,33PF,+2%,-2%,50V-DC, 0603,C0G,-55DEG CMIN, 125DEG CMAX,PB
C710	2113944A49	CAP CER CHP 560.0 PF 50V 5%	C756	2113955D37	CAP,FXD,10UF,+10%,-10%,16V-DC,1206,X7R,-55DEG CMIN, 125DEG CMAX	C792	2113946B04	CAP CER CHP 0.10UF 10V 10%	C1002	2113944C22	CAP CER CHP 4.7PF 50V +/- 0.25PF
C711	2113944A34	CAP CER CHP 56.0PF 50V 5%	C757	2113945C31	CAP,FXD,.1UF,+10%,-10%,50V-DC,0603,X7R,-55DEG CMIN, 125DEG CMAX	C793	2113944A40	CAP CER CHP 100.0PF 50V 5%	C1003	2113945C02	CAP CER CHP 10,000PF 50V 10%
C712	NOT PLACED	–	C758	2113946B02	CAP CER CHP 0.047UF 10V 10,	C794	2113944A32	CAP CER CHP 39.0PF 50V 5%	C1004	2113944M30	CAP,FXD,33PF,+2%,-2%,50V-DC, 0603,C0G,-55DEG CMIN, 125DEG CMAX,PB
C715	2113945C31	CAP,FXD,.1UF,+10%,-10%,50V-DC,0603,X7R,-55DEG CMIN, 125DEG CMAX	C759	2113945G95	CAP,FXD,.22UF,+10%,-10%, 50V-DC,0805,X7R,-55DEG CMIN, 125DEG CMAX	C795	2113944A40	CAP CER CHP 100.0PF 50V 5%	C1005	2113944M30	CAP,FXD,33PF,+2%,-2%,50V-DC, 0603,C0G,-55DEG CMIN, 125DEG CMAX,PB
C716	2113945C31	CAP,FXD,.1UF,+10%,-10%,50V-DC,0603,X7R,-55DEG CMIN, 125DEG CMAX				C796	2113944A40	CAP CER CHP 100.0PF 50V 5%	C1006	2113945C02	CAP CER CHP 10,000PF 50V 10%
C717	2113945C31	CAP,FXD,.1UF,+10%,-10%,50V-DC,0603,X7R,-55DEG CMIN, 125DEG CMAX				C797	2113944A40	CAP CER CHP 100.0PF 50V 5%	C1007	2113944M30	CAP,FXD,33PF,+2%,-2%,50V-DC, 0603,C0G,-55DEG CMIN, 125DEG CMAX,PB
C718	2113945C31	CAP,FXD,.1UF,+10%,-10%,50V-DC,0603,X7R,-55DEG CMIN, 125DEG CMAX				C798	2113945A09	CAP CER CHP 1000PF 50V 10%	C1008	2113944M30	CAP,FXD,33PF,+2%,-2%,50V-DC, 0603,C0G,-55DEG CMIN, 125DEG CMAX,PB
C719	2113945C31	CAP,FXD,.1UF,+10%,-10%,50V-DC,0603,X7R,-55DEG CMIN, 125DEG CMAX				C799	2113944A40	CAP CER CHP 100.0PF 50V 5%	C1009	2113944M30	CAP,FXD,33PF,+2%,-2%,50V-DC, 0603,C0G,-55DEG CMIN, 125DEG CMAX,PB
C724	2113955D37	CAP,FXD,10UF,+10%,-10%,16V-DC,1206,X7R,-55DEG CMIN, 125DEG CMAX				C800	2113944A29	CAP CER CHP 22.0PF 50V 5%	C1010	2113945C02	CAP CER CHP 10,000PF 50V 10%
C725	2113945C31	CAP,FXD,.1UF,+10%,-10%,50V-DC,0603,X7R,-55DEG CMIN, 125DEG CMAX				C801	2113944A21	CAP CER CHP 6.8PF 50V +/- 0.5PF			
						C802	2113946B06	CAP,CHIP,.22UF,+10%,-10%, 10V-DC,0402,X5R,-55DEG CMIN, 85DEG CMAX			

Ref. Des.	Part Number	Description
C1013	2113944M21	CAP,FXD,13PF,+2%,-2%,50V-DC,0603,C0G,-55DEG CMIN,125DEG CMAX,PB
C1014	NOT PLACED	–
C1015	2113944M30	CAP,FXD,33PF,+2%,-2%,50V-DC,0603,C0G,-55DEG CMIN,125DEG CMAX,PB
C1018	2113944M30	CAP,FXD,33PF,+2%,-2%,50V-DC,0603,C0G,-55DEG CMIN,125DEG CMAX,PB
C1019	21009257001	0805 18 PF ACCU-P CAPACITOR
C1020	2113944C14	CAP CER CHP 2.2PF 50V +/- 0.25PF
C1021	2113944C23	CAP CER CHP 5.1PF 50V +/- 0.5PF
C1022	2113944M30	CAP,FXD,33PF,+2%,-2%,50V-DC,0603,C0G,-55DEG CMIN,125DEG CMAX,PB
C1023	2113944M24	CAP,FXD,18PF,+2%,-2%,50V-DC,0603,C0G,-55DEG CMIN,125DEG CMAX,PB
C1024	2113945A12	CAP CER CHP 3300PF 50V 10%
C1025	2113945A12	CAP CER CHP 3300PF 50V 10%
C1101	2113945B02	CAP CER CHP 10,000PF 25V 10%
C1102	2188468Y01	CAP CER 25V X7R 0805 1UF
C1103	2113945B02	CAP CER CHP 10,000PF 25V 10%
C1104	NOT PLACED	–
C1105	2113944A19	CAP CER CHP 5.6PF 50V +/- 0.5PF
C1106	2113945B02	CAP CER CHP 10,000PF 25V 10%
C1107	2113944A40	CAP CER CHP 100.0PF 50V 5%
C1108	2113946B03	CAP CER CHP 0.068UF 10V 10
C1109	2113944A40	CAP CER CHP 100.0PF 50V 5%
C1110	2113944A40	CAP CER CHP 100.0PF 50V 5%
C1111	2113945Y02	CAP,FXD,.1UF,+10%,-10%,16V-DC,0402,X7R,-55DEG CMIN,125DEG CMAX
C1112	2113945B01	CAP CER CHP 6800PF 25V 10%
C1113	2113945B02	CAP CER CHP 10,000PF 25V 10%

Ref. Des.	Part Number	Description
C1116	2113945Y02	CAP,FXD,.1UF,+10%,-10%,16V-DC,0402,X7R,-55DEG CMIN,125DEG CMAX
C1117	2113945A12	CAP CER CHP 3300PF 50V 10%
C1118	2113945B02	CAP CER CHP 10,000PF 25V 10%
C1119	2113945B02	CAP CER CHP 10,000PF 25V 10%
C1120	2113945B02	CAP CER CHP 10,000PF 25V 10%
C1122	2175390H01	CAP, 2.2 PF, 0402, CERAMIC, 50V
C1123	2113945B02	CAP CER CHP 10,000PF 25V 10%
C1124	2113945A13	CAP CER CHP 4700PF 50V 10%
C1125	2113944A19	CAP CER CHP 5.6PF 50V +/- 0.5PF
C1126	2113945A09	CAP CER CHP 1000PF 50V 10%
C1127	2113945Y02	CAP,FXD,.1UF,+10%,-10%,16V-DC,0402,X7R,-55DEG CMIN,125DEG CMAX
C1128	2113945B02	CAP CER CHP 10,000PF 25V 10%
C1129	2113945B02	CAP CER CHP 10,000PF 25V 10%
C1130	2113945B02	CAP CER CHP 10,000PF 25V 10%
C1132	NOT PLACED	–
C1134	2113945B02	CAP CER CHP 10,000PF 25V 10%
C1135	NOT PLACED	–
C1137	2113945B04	CAP,FXD,.022UF,+10%,-10%,25V-DC,0402,X7R,-55DEG CMIN,125DEG CMA
C1138	2113945B04	CAP,FXD,.022UF,+10%,-10%,25V-DC,0402,X7R,-55DEG CMIN,125DEG CMA
C1139	2113944A25	CAP CER CHP 10.0PF 50V +/- 0.5PF
C1140	2113945A13	CAP CER CHP 4700PF 50V 10%
C1141	2113945Y02	CAP,FXD,.1UF,+10%,-10%,16V-DC,0402,X7R,-55DEG CMIN,125DEG CMAX
C1142	2113945A09	CAP CER CHP 1000PF 50V 10%
C1149	2113944A40	CAP CER CHP 100.0PF 50V 5%

Ref. Des.	Part Number	Description
C1150	2175392H01	CAP, 1.2PF, 0402, CERAMIC, 50V
C1301	2113944M20	CAP,FXD,12PF,+2%,-2%,50V-DC,0603,C0G,-55DEG CMIN,125DEG CMAX,PB
C1302	2114036F74	CAP,FXD,1.8PF,.05PF+/-,25V-DC,0402,C0G,-55DEG CMIN,125DEG CMAX
C1303	2113944A26	CAP CER CHP 12.0PF 50V 5%
C1304	2113945A09	CAP CER CHP 1000PF 50V 10%
C1305	2113944A30	CAP CER CHP 27.0PF 50V 5%
C1306	2113945B02	CAP CER CHP 10,000PF 25V 10%
C1307	2113944A26	CAP CER CHP 12.0PF 50V 5%
C1308	2113944A28	CAP CER CHP 18.0PF 50V 5%
C1309	2175389H01	CAP,.5PF, CHIP, 0402, CERAMIC, 50 V
C1310	2113944A17	CAP CER CHP 4.7PF 50V +/- 0.25PF
C1411	2113944C36	CAP CER CHP 33.0PF 50V 5%
C1413	2113944C62	CAP,FXD,.75PF,.1PF+/-,50V-DC,0603,C0G,-55DEG CMIN,125DEG CMAX
C1414	2113944C63	CAP,FXD,1PF,.1PF+/-,50V-DC,0603,C0G,-55DEG CMIN,125DEG CMAX,PB
C1418	2113944C13	CAP CER CHP 2.0PF 50V +/- 0.25PF
C1419	NOT PLACED	–
C1424	2113944C63	CAP,FXD,1PF,.1PF+/-,50V-DC,0603,C0G,-55DEG CMIN,125DEG CMAX,PB
C1425	2113944C61	CAP,FXD,.5PF,.1PF+/-,50V-DC,0603,C0G,-55DEG CMIN,125DEG CMAX,P
C1601	2113944M42	CAP,FXD,100PF,+2%,-2%,50V-DC,0603,C0G,-55DEG CMIN,125DEG CMAX,P
C1602	2113944M42	CAP,FXD,100PF,+2%,-2%,50V-DC,0603,C0G,-55DEG CMIN,125DEG CMAX,P
C1603	2113945L49	CAP,FXD,.01UF,+5%,-5%,50V-DC,0603,X7R,-55DEG CMIN,125DEG CMAX,P
C1604	2113944M42	CAP,FXD,100PF,+2%,-2%,50V-DC,0603,C0G,-55DEG CMIN,125DEG CMAX,P

Ref. Des.	Part Number	Description
C1605	2113945B02	CAP CER CHP 10,000PF 25V 10%
C1606	2113944A40	CAP CER CHP 100.0PF 50V 5%
C1607	2113944M42	CAP,FXD,100PF,+2%,-2%,50V-DC,0603,C0G,-55DEG CMIN,125DEG CMAX,P
C1608	2113944M42	CAP,FXD,100PF,+2%,-2%,50V-DC,0603,C0G,-55DEG CMIN,125DEG CMAX,P
C1609	2113944A40	CAP CER CHP 100.0PF 50V 5%
C1610	2113944M14	CAP,FXD,6.8PF,.1PF+/-,50V-DC,0603,C0G,-55DEG CMIN,125DEG CMAX
C1611	2113945L49	CAP,FXD,.01UF,+5%,-5%,50V-DC,0603,X7R,-55DEG CMIN,125DEG CMAX,P
C1612	NOT PLACED	–
C1613	2113944M30	CAP,FXD,33PF,+2%,-2%,50V-DC,0603,C0G,-55DEG CMIN,125DEG CMAX,PB
C1614	2113944M36	CAP,FXD,56PF,+2%,-2%,50V-DC,0603,C0G,-55DEG CMIN,125DEG CMAX,PB
C1615	2113944A40	CAP CER CHP 100.0PF 50V 5%
C1616	2113944M34	CAP,FXD,47PF,+2%,-2%,50V-DC,0603,C0G,-55DEG CMIN,125DEG CMAX,PB
C1617	2113945B02	CAP CER CHP 10,000PF 25V 10%
C1618	2113944M42	CAP,FXD,100PF,+2%,-2%,50V-DC,0603,C0G,-55DEG CMIN,125DEG CMAX,P
C1619	NOT PLACED	–
C1620	2171741M01	HIGH Q CAP
C1621	2171741M08	HIGH Q CAP, 22 PF
C1622	2113944M23	CAP,FXD,16PF,+2%,-2%,50V-DC,0603,C0G,-55DEG CMIN,125DEG CMAX,PB
C1623	2113944C08	CAP CER CHP 1.2PF 50V +/- 0.25PF
C1624	2113944M22	CAP,FXD,15PF,+2%,-2%,50V-DC,0603,C0G,-55DEG CMIN,125DEG CMAX,PB
C1625	2113944M42	CAP,FXD,100PF,+2%,-2%,50V-DC,0603,C0G,-55DEG CMIN,125DEG CMAX,P

Ref. Des.	Part Number	Description
C1628	2113944M08	CAP,FXD,3.9PF,.1PF+/-,50V-DC,0603,C0G,-55DEG CMIN,125DEG CMAX
C1629	2113945A12	CAP CER CHP 3300PF 50V 10%
C1630	2113945A12	CAP CER CHP 3300PF 50V 10%
C1803	2113944M08	CAP,FXD,3.9PF,.1PF+/-,50V-DC,0603,C0G,-55DEG CMIN,125DEG CMAX
C1804	2113944M08	CAP,FXD,3.9PF,.1PF+/-,50V-DC,0603,C0G,-55DEG CMIN,125DEG CMAX
C1807	2113944M14	CAP,FXD,6.8PF,.1PF+/-,50V-DC,0603,C0G,-55DEG CMIN,125DEG CMAX
C1820	2113944M08	CAP,FXD,3.9PF,.1PF+/-,50V-DC,0603,C0G,-55DEG CMIN,125DEG CMAX
C1821	2113944M17	CAP,FXD,9.1PF,.1PF+/-,50V-DC,0603,C0G,-55DEG CMIN,125DEG CMAX
C1822	2113944M42	CAP,FXD,100PF,+2%,-2%,50V-DC,0603,C0G,-55DEG CMIN,125DEG CMAX,P
C1826	2113944M04	CAP,FXD,2.7PF,.1PF+/-,50V-DC,0603,C0G,-55DEG CMIN,125DEG CMAX
C1827	2113944M10	CAP,FXD,4.7PF,.1PF+/-,50V-DC,0603,C0G,-55DEG CMIN,125DEG CMAX
C2020	2113946D07	CAP,CHIP,4.7UF,+10%,-10%,6.3V-DC,0603,X5R,-55DEG CMIN,85DEG CMA
C2022	2113944A40	CAP CER CHP 100.0PF 50V 5%
C2023	2113944A40	CAP CER CHP 100.0PF 50V 5%
C2024	2113946D07	CAP,CHIP,4.7UF,+10%,-10%,6.3V-DC,0603,X5R,-55DEG CMIN,85DEG CMA
C2025	2113944A40	CAP CER CHP 100.0PF 50V 5%
C2026	2113946B04	CAP CER CHP 0.10UF 10V 10%
C2028	2115153H24	CAP, CERAMIC, COG
C2029	2115153H41	CAP,CERAMIC CHIP,22PF,+1%,-1%,50V-
C2032	2115153H57	CAP, CERAMIC, COG
C2033	2115153H53	CAP, CERAMIC, COG
C2035	2115153H15	CAP, CERAMIC, COG
C2036	2115153H07	CAP, CERAMIC, COG

Ref. Des.	Part Number	Description
C2037	2115153H12	CAP, CERAMIC, COG
C2038	2115153H09	CAP, CERAMIC, COG
C2039	2115153H15	CAP, CERAMIC, COG
C2041	2113946B04	CAP CER CHP 0.10UF 10V 10%
C2042	2115153H13	CAP, CERAMIC, COG
C2044	2115153H26	CAP, CERAMIC, COG
C2052	2115153H41	CAP,CERAMIC CHIP,22PF,+1%,-1%,50V-
C2053	2115153H24	CAP, CERAMIC, COG
C2054	2113944A40	CAP CER CHP 100.0PF 50V 5%
C2055	2113946B04	CAP CER CHP 0.10UF 10V 10%
C2056	2115153H24	CAP, CERAMIC, COG
C2057	2115153H41	CAP,CERAMIC CHIP,22PF,+1%,-1%,50V-
C2058	2115153H13	CAP, CERAMIC, COG
C2059	2115153H15	CAP, CERAMIC, COG
C2060	2115153H11	CAP, CERAMIC, COG
C2061	2115153H15	CAP, CERAMIC, COG
C2063	2115153H41	CAP,CERAMIC CHIP,22PF,+1%,-1%,50V-
C2064	2115153H24	CAP, CERAMIC, COG
D200	4813978A19	DIODE,RECT,MBR120,SM,SOD-123,1A,20V,SHTK,PB-FREE
D722	4815011H01	DIODE TRIPLE
D723	4815011H01	DIODE TRIPLE
E200	2405688Z01	INDUCTOR FERRITE BEAD
E201	2405688Z01	INDUCTOR FERRITE BEAD
E401	2480640Z01	SURFACE MOUNT FERRITE BEAD
E402	2480640Z01	SURFACE MOUNT FERRITE BEAD
E501	2480640Z01	SURFACE MOUNT FERRITE BEAD
E601	2480640Z01	SURFACE MOUNT FERRITE BEAD
E602	2480640Z01	SURFACE MOUNT FERRITE BEAD
E603	2480640Z01	SURFACE MOUNT FERRITE BEAD
E604	2480640Z01	SURFACE MOUNT FERRITE BEAD

Ref. Des.	Part Number	Description
E605	2480640Z01	SURFACE MOUNT FERRITE BEAD
E606	2480640Z01	SURFACE MOUNT FERRITE BEAD
E607	2480640Z01	SURFACE MOUNT FERRITE BEAD
E608	2480640Z01	SURFACE MOUNT FERRITE BEAD
E609	2480640Z01	SURFACE MOUNT FERRITE BEAD
E1101	2405688Z01	INDUCTOR FERRITE BEAD
E2021	2480640Z01	SURFACE MOUNT FERRITE BEAD
F200	6575834B01	FUSE SURFACE MOUNT
FL401	9175390A01	SAW FILTER, DUAL BAND 769/860.5
FL402	9175390A01	SAW FILTER, DUAL BAND 769/860.5
FL501	4885631B01	XTAL FILT 3 POLE 109.65 MOTORO
FL1301	9189697V15	FLTR,1.57542GHZ NOM,1.57642GHZ MIN,1.57442GHZ MAX,50OHM,SM,P
J101	0909901V02	RECP SMT MCX
J102	0975886B01	RECEPTACLE, COAX CABLE
L200	2571269C01	INDUCTOR WW POWER 20%
L401	2415427H23	CHIP INDUCTOR
L402	2415427H23	CHIP INDUCTOR
L403	2415427H05	CHIP INDUCTOR
L404	2415427H23	CHIP INDUCTOR
L405	2415427H23	CHIP INDUCTOR
L406	2415427H11	CHIP INDUCTOR
L407	2415427H16	CHIP INDUCTOR
L408	2415427H21	CHIP INDUCTOR
L501	24012011014	0402 HIGH Q CHIP INDUCTOR
L502	2415429H30	CHIP INDUCTOR
L503	2414032F38	IDCTR,WW,220NH,5%,400MA,.7OHM,CER,30 Q,630MHZ SRF,SM,PB-FRE
L504	2414032F41	IDCTR,WW,390NH,10%,200MA,1.5OHM,CER,40 Q,730MHZ SRF,SM,PB-F
L505	2415429H39	CHIP INDUCTOR

Ref. Des.	Part Number	Description
L506	2415429H39	CHIP INDUCTOR
L507	2415427H36	CHIP INDUCTOR
L508	2415427H17	CHIP INDUCTOR
L509	2415427H17	CHIP INDUCTOR
L510	24012011020	0402 HIGH Q CHIP INDUCTOR
L511	2478057A13	7.5 NH SURFACE MOUNT INDUCTOR
L601	2415429H43	CHIP INDUCTOR
L602	2466505A01	COIL INDUCTOR
L603	2466505A01	COIL INDUCTOR
L604	2414032D16	IDCTR,WW,120NH,5%,800MA,.26OHM,CER,42 Q,1GHZ SRF,SM,PB-FREE
L605	2414017Q54	IDCTR,FXD,3.9UH,10%,30MA,.9OHM,FERR,45 Q,38MHZ SRF,SM,0805,P
L701	2415429H47	CHIP INDUCTOR
L720	2480646Z20	COIL MULTI-LAYER CHIP(2.20UH)
L727	2480646Z20	COIL MULTI-LAYER CHIP(2.20UH)
L728	2415429H47	CHIP INDUCTOR
L733	2480646Z20	COIL MULTI-LAYER CHIP(2.20UH)
L735	2480646Z20	COIL MULTI-LAYER CHIP(2.20UH)
L738	2480646Z20	COIL MULTI-LAYER CHIP(2.20UH)
L741	2480646Z20	COIL MULTI-LAYER CHIP(2.20UH)
L753	2415347H06	IDCTR, 2200NH
L802	2415429H26	CHIP INDUCTOR
L806	2415429H47	CHIP INDUCTOR
L817	2414032F41	IDCTR,WW,390NH,10%,200MA,1.5OHM,CER,40 Q,730MHZ SRF,SM,PB-F
L821	2415429H47	CHIP INDUCTOR
L846	2414032F41	IDCTR,WW,390NH,10%,200MA,1.5OHM,CER,40 Q,730MHZ SRF,SM,PB-F
L1001	2415429H37	CHIP INDUCTOR
L1002	2415429H10	CHIP INDUCTOR
L1003	2415429H37	CHIP INDUCTOR

Ref. Des.	Part Number	Description
L1007	2460591K40	COIL AIR WOUND INDUC 59.71
L1009	2415428H02	AIR WOUND INDUCTOR
L1101	2415429H26	CHIP INDUCTOR
L1102	2415429H10	CHIP INDUCTOR
L1103	2475393H01	INDUCTOR, 4.7NH, 0402, +/-0.1NH
L1104	0613952R66	CER CHIP RES 0.0 +/-0.050 OHM
L1108	2409348J04	IND AIR CORE 5.45NH 5% 2214
L1114	2475394H01	INDUCTOR, 11NH, 0402, +/-2%
L1301	2488090Y07	INDUCTOR,MULTILAYER,3.3NH, 1005,SMD,PB FREE
L1302	2488090Y25	INDUCTOR,MULTILAYER,100NH, 1005,SMD,PB FREE
L1303	2414017P25	IDCTR,CHIP,100NH,5%,100MA, 5.5OHM,CER,8 Q,650MHZ SRF, SM,0402
L1305	2475391H01	INDUCTOR, 18 NH, CHIP, 0402, 2% TOL
L1306	2488090Y10	INDUCTOR,MULTILAYER,5.6NH, 1005,SMD,PB FREE
L1401	2415428H02	AIR WOUND INDUCTOR
L1408	2460591A11	COIL AIR WOUND INDUC 7.66
L1410	2460591A11	COIL AIR WOUND INDUC 7.66
L1601	2414017H14	IDCTR,CHIP,15NH,5%,3A, .32OHM,CER,12 Q,1.5GHZ SRF ,SM, 0603,PB-
L1602	2415429H37	CHIP INDUCTOR
L1603	2414015A07	IDCTR,FXD,180NH,2%,750MA, .77OHM,CER,25 Q,700MHZ SRF, SM,1008
L1604	2414017H07	IDCTR,CHIP,3.9NH,300MA, .14OHM,CER,10 Q,3.4GHZ SRF, SM,0603,P
L1605	2414017H07	IDCTR,CHIP,3.9NH,300MA, .14OHM,CER,10 Q,3.4GHZ SRF, SM,0603,P
L1606	2460591E24	COIL AIR WOUND INDUC 23.75
L1609	2415428H02	AIR WOUND INDUCTOR
L1610	2415385H01	8 NH MINISPRING AIR CORE INDUCTOR
L1803	2471884M01	10.2NH SQUARE SPRING
L1809	2471884M01	10.2NH SQUARE SPRING
L1811	2471884M01	10.2NH SQUARE SPRING

Ref. Des.	Part Number	Description
L2008	2478057A09	5.6 NH SURFACE MOUNT INDUCTOR
L2009	2478057A23	18 NH SURFACE MOUNT INDUCTOR
L2010	2478057A23	18 NH SURFACE MOUNT INDUCTOR
L2012	2478057A09	5.6 NH SURFACE MOUNT INDUCTOR
L2013	2478057A23	18 NH SURFACE MOUNT INDUCTOR
L2014	2478057A23	18 NH SURFACE MOUNT INDUCTOR
L2015	2478057A41	0306 HIGH Q CHIP INDUCTOR
L2016	2414017P15	IDCTR,CHIP,15NH,5%,300MA, .65OHM,CER,9 Q,1.95GHZ SRF,SM,0402
L2017	2478057A40	0306 HIGH Q CHIP INDUCTOR
L2019	2414017P15	IDCTR,CHIP,15NH,5%,300MA, .65OHM,CER,9 Q,1.95GHZ SRF,SM,0402
L2034	2478057A29	0306 HIGH Q CHIP INDUCTOR
L2035	2478057A24	22 NH SURFACE MOUNT INDUCTOR
L2036	2415429H01	CHIP INDUCTOR
M1	3275623B02	PAD, THERMAL ELECTRIC
M2	75009299001	PAD, THERMAL
M3	1104959T01	COATING-CONTACT
M101	2871616H01	CONNECTOR, BPLUS
M103	3987977Y04	CONT,CONN,1CONT,ANT UNIV 4.5MM,UC 1.8
M104	NOT PLACED	-
M105	3987977Y04	CONT,CONN,1CONT,ANT UNIV 4.5MM,UC 1.8
M106	NOT PLACED	-
P101	2887818K05	PLUG 40PIN MATING CNTCR 1.5MM
PASTE	1085674C03	PASTE/NC-SMQ230
PCB	8478163A01	BOARD, PC, PORTABLE UHF1 & 7/800
Q201	4813970A59	P-CH FET 1.0A 20V SOT-23 T&R
Q202	4813973A32	XSTR,BIP GP SS,NPN,SM,SC-70, SMT,50V,.202W,100MA,PB-FREE
Q401	4813973A32	XSTR,BIP GP SS,NPN,SM,SC-70, SMT,50V,.202W,100MA,PB-FREE

Ref. Des.	Part Number	Description
Q402	4813973M75	XSTR,BIP GP SS,PNP,BC858, SOT-563,SMT,-30V,.357W,-100MA,100MHZ
Q403	4813973M75	XSTR,BIP GP SS,PNP, BC858, SOT-563,SMT,-30V,.357W,-100MA,100MHZ
Q501	4813973M75	XSTR,BIP GP SS,PNP,BC858, SOT-563,SMT,-30V,.357W,-100MA,100MHZ
Q503	4885316E32	TRANSISTOR, RF
Q601	4813973A04	XSTR,BIP GP SS,NPN, TA13,SM, SOT-23,SMT, 30V,.225W, 300MA, 125MHZ,P
Q703	4813973M75	XSTR,BIP GP SS,PNP,BC858, SOT-563,SMT,-30V,.357W,-100MA,100MHZ
Q712	4813973M75	XSTR,BIP GP SS,PNP,BC858, SOT-563,SMT,-30V,.357W,-100MA,100MHZ
Q713	4805585Q32	TRANSITOR, NPN RF
Q714	4889394V04	XSTR,FET GEN PURPOSE SMALL SIG,MOSFET,N-CH, ENHN,SM,20V,.25W,P
Q774	4885061Y01	XSTR NPN 6V 30UA 12GHZ PB-FREE
Q842	4805585Q32	TRANSITOR, NPN RF
Q1001	5185633C83	MODULE,RING,XSTR,FET RF PWR,7/800MH
Q1101	4813973A32	XSTR,BIP GP SS,NPN,SM,SC-70 ,SMT,50V,.202W,100MA,PB-FREE
Q1102	4813973A32	XSTR,BIP GP SS,NPN,SM,SC-70, SMT,50V,.202W,100MA,PB-FREE
Q1103	4813970A59	P-CH FET 1.0A 20V SOT-23 T&R
Q1104	4813970A59	P-CH FET 1.0A 20V SOT-23 T&R
Q1105	NOT PLACED	-
Q1601	5185633C82	MODULE,RING,XSTR, FET RF POWER, UHF
Q2020	4813973A32	XSTR,BIP GP SS,NPN,SM,SC-70, SMT,50V,.202W,100MA,PB-FREE
Q2022	4813973M75	XSTR,BIP GP SS,PNP,BC858, SOT-563,SMT,-30V,.357W,-100MA,100MHZ
R101	0613952R01	CER CHIP RES 10K OHM 5% 0402
R103	0613952R01	CER CHIP RES 10K OHM 5% 0402

Ref. Des.	Part Number	Description
R201	0613952R25	CER CHIP RES 100K OHM 5% 0402
R202	0613952Q89	CER CHIP RES 4700 OHM 5 0402
R401	0613952R09	CER CHIP RES 22K OHM 5% 0402
R402	0613952R23	CER CHIP RES 82K OHM 5% 0402
R403	0613952Q85	CER CHIP RES 3300 OHM 5 0402
R404	0613952Q45	CER CHIP RES 68.0 OHM 5 0402
R405	0613952Q25	CER CHIP RES 10.0 OHM 5 0402
R406	0613952Q11	CER CHIP RES 2.7 OHM 5 0402
R407	0613952R09	CER CHIP RES 22K OHM 5% 0402
R408	0613952R23	CER CHIP RES 82K OHM 5% 0402
R409	0613952Q85	CER CHIP RES 3300 OHM 5 0402
R410	0613952Q45	CER CHIP RES 68.0 OHM 5 0402
R411	0613952Q25	CER CHIP RES 10.0 OHM 5 0402
R412	0613952Q11	CER CHIP RES 2.7 OHM 5 0402
R413	0613952Q11	CER CHIP RES 2.7 OHM 5 0402
R501	NOT PLACED	-
R502	0613952Q45	CER CHIP RES 68.0 OHM 5 0402
R503	0613952R10	CER CHIP RES 24K OHM 5 0402
R504	0613952Q85	CER CHIP RES 3300 OHM 5 0402
R505	0613952R31	CER CHIP RES 180K OHM 5% 0402
R506	0613952Q53	CER CHIP RES 150 OHM 5 0402
R507	0613952Q83	CER CHIP RES 2700 OHM 5 0402
R508	0613952Q41	CER CHIP RES 47.0 OHM 5 0402
R509	0613952Q25	CER CHIP RES 10.0 OHM 5 0402
R511	0613952Q13	CER CHIP RES 3.3 OHM 5 0402
R512	NOT PLACED	-
R597	0613952R66	CER CHIP RES 0.0 +/-0.050 OHM
R601	0613952Q41	CER CHIP RES 47.0 OHM 5 0402
R602	0613952Q63	CER CHIP RES 390 OHM 5 0402
R603	0613952R25	CER CHIP RES 100K OHM 5% 0402
R604	0613952Q63	CER CHIP RES 390 OHM 5 0402
R605	0613952R01	CER CHIP RES 10K OHM 5% 0402
R606	0613952R01	CER CHIP RES 10K OHM 5% 0402

Ref. Des.	Part Number	Description
R607	0613952R25	CER CHIP RES 100K OHM 5% 0402
R608	0613952R01	CER CHIP RES 10K OHM 5% 0402
R609	0613952Q81	CER CHIP RES 2200 OHM 5 0402
R610	0613952R25	CER CHIP RES 100K OHM 5% 0402
R611	0613952R01	CER CHIP RES 10K OHM 5% 0402
R612	0613952Q94	CER CHIP RES 7500 OHM 5 0402
R613	0613952Q82	CER CHIP RES 2400 OHM 5 0402
R614	0613952R66	CER CHIP RES 0.0 +/-0.050 OHM
R615	NOT PLACED	–
R616	NOT PLACED	–
R617	NOT PLACED	–
R618	NOT PLACED	–
R619	NOT PLACED	–
R620	NOT PLACED	–
R621	NOT PLACED	–
R623	NOT PLACED	–
R624	NOT PLACED	–
R698	0613952R66	CER CHIP RES 0.0 +/-0.050 OHM
R699	0613952R66	CER CHIP RES 0.0 +/-0.050 OHM
R701	0613952Q49	CER CHIP RES 100 OHM 5 0402
R702	0613952R66	CER CHIP RES 0.0 +/-0.050 OHM
R703	0613952Q42	CER CHIP RES 51.0 OHM 5 0402
R704	0613952Q42	CER CHIP RES 51.0 OHM 5 0402
R705	0613952Q25	CER CHIP RES 10.0 OHM 5 0402
R706	0613952R66	CER CHIP RES 0.0 +/-0.050 OHM
R707	0613952R66	CER CHIP RES 0.0 +/-0.050 OHM
R708	0613952Q49	CER CHIP RES 100 OHM 5 0402
R709	0613952Q45	CER CHIP RES 68.0 OHM 5 0402
R710	0613952Q56	CER CHIP RES 200 OHM 5 0402
R711	0613952Q45	CER CHIP RES 68.0 OHM 5 0402
R712	0613952Q67	CER CHIP RES 560 OHM 5 0402
R713	0613952Q25	CER CHIP RES 10.0 OHM 5 0402
R714	0613952Q67	CER CHIP RES 560 OHM 5 0402
R721	0613952R01	CER CHIP RES 10K OHM 5% 0402
R729	0613952R09	CER CHIP RES 22K OHM 5% 0402

Ref. Des.	Part Number	Description
R743	0613952R17	CER CHIP RES 47K OHM 5% 0402
R745	0613952R09	CER CHIP RES 22K OHM 5% 0402
R751	0613952Q59	CER CHIP RES 270 OHM 5 0402
R752	0613952Q91	CER CHIP RES 5600 OHM 5 0402
R753	NOT PLACED	–
R754	0613952Q91	CER CHIP RES 5600 OHM 5 0402
R755	0613952R15	CER CHIP RES 39K OHM 5% 0402
R759	0613952Q69	CER CHIP RES 680 OHM 5 0402
R761	0613952Q57	CER CHIP RES 220 OHM 5 0402
R762	0613952R02	CER CHIP RES 11K OHM 5 0402
R764	0613952Q75	CER CHIP RES 1200 OHM 5 0402
R767	0613952Q45	CER CHIP RES 68.0 OHM 5 0402
R772	0613952Q37	CER CHIP RES 33.0 OHM 5 0402
R773	0613952Q91	CER CHIP RES 5600 OHM 5 0402
R776	0613952Q39	CER CHIP RES 39.0 OHM 5 0402
R778	0613952Q55	CER CHIP RES 180 OHM 5 0402
R807	0613952R09	CER CHIP RES 22K OHM 5% 0402
R808	0613952R23	CER CHIP RES 82K OHM 5% 0402
R809	0613952Q91	CER CHIP RES 5600 OHM 5 0402
R811	0613952Q39	CER CHIP RES 39.0 OHM 5 0402
R812	0613952Q47	CER CHIP RES 82.0 OHM 5% 0402
R813	0613952Q69	CER CHIP RES 680 OHM 5 0402
R815	0613952Q34	CER CHIP RES 24.0 OHM 5 0402
R818	0613952Q23	CER CHIP RES 8.2 OHM 5 0402
R819	0613952Q59	CER CHIP RES 270 OHM 5 0402
R822	0613952R08	CER CHIP RES 20K OHM 5 0402
R823	0613952R19	CER CHIP RES 56K OHM 5% 0402
R827	0613952Q92	CER CHIP RES 6200 OHM 5 0402
R832	0613952Q29	CER CHIP RES 15.0 OHM 5 0402
R833	0613952Q49	CER CHIP RES 100 OHM 5 0402
R840	0613952Q29	CER CHIP RES 15.0 OHM 5 0402
R848	0613952Q29	CER CHIP RES 15.0 OHM 5 0402
R849	0613952Q67	CER CHIP RES 560 OHM 5 0402

Ref. Des.	Part Number	Description
R1001	0613952R13	CER CHIP RES 33K OHM 5% 0402
R1002	0613952R17	CER CHIP RES 47K OHM 5% 0402
R1003	0613952R01	CER CHIP RES 10K OHM 5% 0402
R1004	0613952R12	CER CHIP RES 30K OHM 5 0402
R1005	0613952Q73	CER CHIP RES 1000 OHM 5 0402
R1006	0613952R66	CER CHIP RES 0.0 +/-0.050 OHM
R1101	0613952R25	CER CHIP RES 100K OHM 5% 0402
R1102	0613952R25	CER CHIP RES 100K OHM 5% 0402
R1103	6009259001	LOW RESISTANCE THICK FILM RESISTOR
R1104	0613952Q49	CER CHIP RES 100 OHM 5 0402
R1105	0613952Q49	CER CHIP RES 100 OHM 5 0402
R1106	0613952Q21	CER CHIP RES 6.8 OHM 5 0402
R1107	0613952Q45	CER CHIP RES 68.0 OHM 5 0402
R1108	0613952R23	CER CHIP RES 82K OHM 5% 0402
R1110	0613952R01	CER CHIP RES 10K OHM 5% 0402
R1112	NOT PLACED	–
R1114	0613952Q49	CER CHIP RES 100 OHM 5 0402
R1115	0613952Q49	CER CHIP RES 100 OHM 5 0402
R1116	0613952R01	CER CHIP RES 10K OHM 5% 0402
R1117	0613952R22	CER CHIP RES 75K OHM 5 0402
R1121	0613952R12	CER CHIP RES 30K OHM 5 0402
R1122	0613952R22	CER CHIP RES 75K OHM 5 0402
R1124	0613952Q42	CER CHIP RES 51.0 OHM 5 0402
R1125	0613952R17	CER CHIP RES 47K OHM 5% 0402
R1126	0613952R08	CER CHIP RES 20K OHM 5 0402
R1127	0613952R08	CER CHIP RES 20K OHM 5 0402
R1128	0613952R01	CER CHIP RES 10K OHM 5% 0402
R1129	NOT PLACED	–
R1130	NOT PLACED	–
R1135	0613952R66	CER CHIP RES 0.0 +/-0.050 OHM

Ref. Des.	Part Number	Description
R1136	0613952R01	CER CHIP RES 10K OHM 5% 0402
R1137	0613952R01	CER CHIP RES 10K OHM 5% 0402
R1138	0613952R25	CER CHIP RES 100K OHM 5% 0402
R1139	0613952R25	CER CHIP RES 100K OHM 5% 0402
R1140	0613952R25	CER CHIP RES 100K OHM 5% 0402
R1141	0613952R42	CER CHIP RES 510K OHM 5 0402
R1142	0613952R25	CER CHIP RES 100K OHM 5% 0402
R1143	0613952R25	CER CHIP RES 100K OHM 5% 0402
R1144	0613952R25	CER CHIP RES 100K OHM 5% 0402
R1145	0613952R25	CER CHIP RES 100K OHM 5% 0402
R1146	0613952R25	CER CHIP RES 100K OHM 5% 0402
R1151	0613952R05	CER CHIP RES 15K OHM 5% 0402
R1152	0613952R01	CER CHIP RES 10K OHM 5% 0402
R1154	0613952R01	CER CHIP RES 10K OHM 5% 0402
R1158	NOT PLACED	–
R1160	0613952R03	CER CHIP RES 12K OHM 5% 0402
R1161	0613952R01	CER CHIP RES 10K OHM 5% 0402
R1162	0613952R29	CER CHIP RES 150K OHM 5% 0402
R1163	0613952R01	CER CHIP RES 10K OHM 5% 0402
R1164	0613952R01	CER CHIP RES 10K OHM 5% 0402
R1165	0613952Q56	CER CHIP RES 200 OHM 5 0402
R1166	0613952Q56	CER CHIP RES 200 OHM 5 0402
R1167	0613952R01	CER CHIP RES 10K OHM 5% 0402
R1168	0613952Q49	CER CHIP RES 100 OHM 5 0402

Ref. Des.	Part Number	Description	Ref. Des.	Part Number	Description	Ref. Des.	Part Number	Description	Ref. Des.	Part Number	Description
R1169	0613952P52	CER CHIP RES 340K OHM 1 0402	R2022	0613952R27	CER CHIP RES 120K OHM 5% 0402	U406	4885316E32	TRANSISTOR, RF	U1109	5114007M32	IC,OR,2PER PKG,SM,US8,PB-FREE
R1170	0613952N88	CER CHIP RES 80.6K OHM 1 0402	R2023	0613952R01	CER CHIP RES 10K OHM 5% 0402	U407	4885316E32	TRANSISTOR, RF	U1110	5180428L15	SW,RF SWITCH,SPDT,SMT,6W,3V
R1171	0613952R66	CER CHIP RES 0.0 +/-0.050 OHM	R2024	0613952Q37	CER CHIP RES 33.0 OHM 5 0402	U408	5103535B53	IC,INVTR,DL,NC7WZ04L6X,2PE R PKG,SC70	U1111	5175771A26	CMOS FET SWITCH SPDT, 10WATTS
R1172	0613952Q89	CER CHIP RES 4700 OHM 5 0402	R2025	0613952Q11	CER CHIP RES 2.7 OHM 5 0402	U501	5180428L15	SW,RF SWITCH,SPDT,SMT,6W,3V	U1112	5175772B04	1 DB LSB GAAS MMIC ATTENUATOR
R1174	0613952R01	CER CHIP RES 10K OHM 5% 0402	R2035	0613952Q75	CER CHIP RES 1200 OHM 5 0402	U502	5103535B53	IC,INVTR,DL,NC7WZ04L6X,2PE R PKG,SC70	U1113	5185941F56	IC SINGLE LV LP OP AMPLIFIER
R1175	0613952R66	CER CHIP RES 0.0 +/-0.050 OHM	SH1	2675871B01	SHIELD, FGU	U506	5164852H82	IC, MIXER/ BUFFER	U1114	5185941F56	IC SINGLE LV LP OP AMPLIFIER
R1176	0613952Q73	CER CHIP RES 1000 OHM 5 0402	SH2	2675872B01	SHIELD, XTAL	U601	5102495J14	IC,IF,IF DIGITILIZING SUBSYSTEM IC,AD9864,QFN	U1116	5109522E93	2 INPUT OR GATE IN NANO PACKAGE (C87)
R1177	0613952R66	CER CHIP RES 0.0 +/-0.050 OHM	SH3	2675873B01	SHIELD, ABACUS	U602	4885316E32	TRANSISTOR, RF	U1117	5103535B53	IC,INVTR,DL,NC7WZ04L6X,2PE R PKG,SC70
R1178	0613952R01	CER CHIP RES 10K OHM 5% 0402	SH4	2675878B01	SHIELD, FRONT END	U603	5109522E84	IC DUAL SCHMITT TRIG MICRO PAK	U1118	5188085K11	IC, SINGLE NAND GATE, 2-INPUT, POSITIVE, 5 DSBGA, PB-FREE
R1179	0613952R66	CER CHIP RES 0.0 +/-0.050 OHM	SH5	2675879B01	SHIELD, DRIVER PA	U604	5109522E84	IC DUAL SCHMITT TRIG MICRO PAK	U1119	5186311J53	IC,AND,DUAL 2-INPUT AND GATE,NC7WZ08,2PER PKG,SM,MSOP
R1180	0613952R66	CER CHIP RES 0.0 +/-0.050 OHM	SH6	2675876B01	SHIELD, VCO	U605	5164852H16	IC TRANSCEIVER W/LEVEL TRANSLATION	U1121	5114000B52	IC,XOR,LOGIC LEVEL SHIFTER, 1PER PKG,SM,SOT-353,PB-FREE
R1181	NOT PLACED	–	SH7	2675874B01	SHIELD, MIXER	U606	5164852H16	IC TRANSCEIVER W/LEVEL TRANSLATION	U1122	5180428L15	SW,RF SWITCH,SPDT,SMT,6W,3V
R1182	0613952R01	CER CHIP RES 10K OHM 5% 0402	SH8	2675932B01	SHIELD, 2ND LO VCO	U607	5186311J24	IC,BFR,1BITS,NC7SZ125,ACTIVE HIGH,B	U1123	5188085K11	IC, SINGLE NAND GATE, 2-INPUT,POSITIVE, 5 DSBGA, PB-FREE
R1183	0613952Q73	CER CHIP RES 1000 OHM 5 0402	SH9	2675934B01	SHIELD, DC	U702	5164015H28	IC,TRIDENT,INTEG SYNTH,RX/ TX BSBND	U1125	5175206H01	QUAD 12-BIT DAC IC
R1184	0613952Q81	CER CHIP RES 2200 OHM 5 0402	SH10	2675859B01	SHIELD, OUTPUT MATCH	U703	5175772B06	28-PORT I/O EXPANDER	U1126	5109817F77	IC COMPTR LM7275 5SC70 (D54)
R1304	NOT PLACED	–	SH11	2675877B01	SHIELD, ALC	U708	5171972L01	SP3T RF SWITCH	U1127	5171779H01	SPDT ANALOG SWITCH
R1307	0613952Q73	CER CHIP RES 1000 OHM 5 0402	SH12	2675933B01	SHIELD, IF AMP	U709	5171972L01	SP3T RF SWITCH	U1128	5188085K11	IC, SINGLE NAND GATE, 2-INPUT, POSITIVE, 5 DSBGA, PB-FREE
R1601	0613952Q96	CER CHIP RES 9100 OHM 5 0402	SH13	2675870B01	SHIELD, HARMONIC FILTER	U710	5171972L01	SP3T RF SWITCH	U1129	5175143H01	WIDE SUPPLY RANGE OP AMP
R1602	0613952R01	CER CHIP RES 10K OHM 5% 0402	SH14	2671905H01	SHIELD, REGULATOR	U711	5171972L01	SP3T RF SWITCH	U1130	5175143H01	WIDE SUPPLY RANGE OP AMP
R1603	0613952R02	CER CHIP RES 11K OHM 5 0402	T503	2575851B01	RF TRANSFORMER BALUN	U746	4805218N63	RF TRANS SOT 323 Bfq67W	U1131	5109817F77	IC COMPTR LM7275 5SC70 (D54)
R1604	0613952R13	CER CHIP RES 33K OHM 5% 0402	T504	2575851B01	RF TRANSFORMER BALUN	U1001	5175143H01	WIDE SUPPLY RANGE OP AMP	U1132	5114007M28	IC,F-F/D,1PER PKG,17SZ74, N-I,SM,SOIC8,PB-FREE
R1605	0613952Q73	CER CHIP RES 1000 OHM 5 0402	T505	2575851B01	RF TRANSFORMER BALUN	U1002	5115678H01	VHF/UHF/800/900 MHZ LDMOS DRIVER IC	U1133	5171779H01	SPDT ANALOG SWITCH
R1606	NOT PLACED	–	U101	5105443X07	EEPROM 32KBIT SERIAL SPI BUS	U1101	5188032U43	IC,SENSING CIRCUIT,INA138, SM, SOT-23/5,1PER PKG	U1136	5109522E94	2 INPUT AND GATE IN NANO PACKAGE (C87)
R1801	0685524Y01	RES,ZERO OHM,0805	U200	5188493T01	IC,VREG/SWG,LP2989,SM,MINI SO-8 HI PRCN REG 5V	U1102	5175772B03	RECONFIGURABLE 10W SP5T/ 3T RF SWITC	U1137	5164852H16	IC TRANSCEIVER W/LEVEL TRANSLATION
R2006	0613952R01	CER CHIP RES 10K OHM 5% 0402	U201	5175771A99	LOW NOISE, 100MA LINEAR REGULATOR	U1103	5185070Y01	IC TEMPERATURE SENSOR PB-FREE			
R2007	0613952R01	CER CHIP RES 10K OHM 5% 0402	U202	5175772B02	LINEAR REGULATOR 100MA 1.8V	U1104	5185941F56	IC SINGLE LV LP OP AMPLIFIER			
R2008	0613952R01	CER CHIP RES 10K OHM 5% 0402	U203	5175772B01	LINEAR VOLTAGE REGULATOR 350MA	U1105	5180390L83	IC,CNTRLR,SM,1PER PKG			
R2009	0613952R01	CER CHIP RES 10K OHM 5% 0402	U402	5180428L15	SW,RF SWITCH,SPDT,SMT,6W,3V	U1106	5175772B05	PRECISION RF DETECTOR			
R2010	0613952Q73	CER CHIP RES 1000 OHM 5 0402	U403	5180428L15	SW,RF SWITCH,SPDT,SMT,6W,3V						
R2011	0613952Q73	CER CHIP RES 1000 OHM 5 0402	U404	5180428L15	SW,RF SWITCH,SPDT,SMT,6W,3V						
R2021	0613952R22	CER CHIP RES 75K OHM 5 0402	U405	5180428L15	SW,RF SWITCH,SPDT,SMT,6W,3V						

Ref. Des.	Part Number	Description
U1138	5164852H16	IC TRANSCEIVER W/LEVEL TRANSLATION
U1139	5164852H16	IC TRANSCEIVER W/LEVEL TRANSLATION
U1140	5171779H01	SPDT ANALOG SWITCH
U1141	5185941F56	IC SINGLE LV LP OP AMPLIFIER
U1142	5185941F56	IC SINGLE LV LP OP AMPLIFIER
U1143	5185941F56	IC SINGLE LV LP OP AMPLIFIER
U1144	5171779H01	SPDT ANALOG SWITCH
U1145	5171779H01	SPDT ANALOG SWITCH
U1146	5109522E93	2 INPUT OR GATE IN NANO PACKAGE (C87)
U1147	5109522E94	2 INPUT AND GATE IN NANO PACKAGE (C87)
U1148	5185941F56	IC SINGLE LV LP OP AMPLIFIER
U1304	5105739X13	IC, SIGE GPS LOW NOISE AMP 1575 MHZ
U1601	5175143H01	WIDE SUPPLY RANGE OP AMP
U1602	5115678H01	VHF/UHF/800/900 MHZ LDMOS DRIVER IC
U2032	4885316E32	TRANSISTOR, RF
VR101	4813977M29	DIODE,VREF,MBZ5250,SM,SOT-23,20V,.225W,ZEN
VR200	4813977M29	DIODE,VREF,MBZ5250,SM,SOT-23,20V,.225W,ZEN
VR601	4805656W87	DIODE,VCTR, @ 15V,1SV279, SOD-523/SC-79
VR602	4805656W87	DIODE,VCTR, @ 15V,1SV279, SOD-523/SC-79
VR2005	4815096H01	VARACTOR DIODE 1SV305
VR2006	4815096H01	VARACTOR DIODE 1SV305
VR2007	4815096H01	VARACTOR DIODE 1SV305
VR2008	4815096H01	VARACTOR DIODE 1SV305
VR2010	4815096H01	VARACTOR DIODE 1SV305
VR2020	4815096H01	VARACTOR DIODE 1SV305
Y701	4871886H01	16.8 MHZ VCTXO .8PPM
Y704	5164852H68	IC, VCO MODULE
Y705	5164852H66	IC, VCO MODULE
Y706	5164852H65	IC, VCO MODULE
Y707	5164852H67	IC, VCO MODULE

MNUS4000C UHF1 / 700–800 MHz Transceiver (RF) Board Parts List

Ref. Des.	Part Number	Description
C101	2113944A46	CAP,CHIP,330PF,+5%,-5%,50V-DC,0402,C0G,-55DEG CMIN, 125DEG CMAX
C200	2113945B02	CAP,CHIP,.01UF,+10%,-10%, 25V-DC,0402,X7R,-55DEG CMIN, 125DEG CMA
C201	2188468Y01	CAP,CHIP,1UF,+10,-10,25V-DC, 0805,X7R
C202	2188468Y01	CAP,CHIP,1UF,+10,-10,25V-DC, 0805,X7R
C203	2188468Y01	CAP,CHIP,1UF,+10,-10,25V-DC, 0805,X7R
C204	2113955D35	CAP,FXD,4.7UF,+10%,-10%, 16V-DC,1206,X7R,-55DEG CMIN, 125DEG CMAX
C205	2113955D35	CAP,FXD,4.7UF,+10%,-10%,16V-DC,1206,X7R,-55DEG CMIN, 125DEG CMAX
C206	2113945B02	CAP,CHIP,.01UF,+10%,-10%, 25V-DC,0402,X7R,-55DEG CMIN, 125DEG CMA
C207	2113956B91	CAP,FXD,1UF,+10%,-10%,16V-DC,0603,X5R,-55DEG CMIN, 85DEG CMAX,PB
C208	2113956B91	CAP,FXD,1UF,+10%,-10%,16V-DC,0603,X5R,-55DEG CMIN, 85DEG CMAX,PB
C209	2113956B91	CAP,FXD,1UF,+10%,-10%,16V-DC,0603,X5R,-55DEG CMIN, 85DEG CMAX,PB
C210	2113956B91	CAP,FXD,1UF,+10%,-10%,16V-DC,0603,X5R,-55DEG CMIN, 85DEG CMAX,PB
C212	2113946D07	CAP,CHIP,4.7UF,+10%,-10%, 6.3V-DC,0603,X5R,-55DEG CMIN,85DEG CMA
C213	2113944A46	CAP,CHIP,330PF,+5%,-5%,50V-DC,0402,C0G,-55DEG CMIN, 125DEG CMAX
C214	2113944A31	CAP,CHIP,33PF,+5%,-5%,50V-DC,0402,C0G,-55DEG CMIN, 125DEG CMAX,P

Ref. Des.	Part Number	Description
C215	2113944A46	CAP,CHIP,330PF,+5%,-5%,50V-DC,0402,C0G,-55DEG CMIN, 125DEG CMAX
C216	2113944A31	CAP,CHIP,33PF,+5%,-5%,50V-DC,0402,C0G,-55DEG CMIN, 125DEG CMAX,P
C217	2113956B91	CAP,FXD,1UF,+10%,-10%,16V-DC,0603,X5R,-55DEG CMIN, 85DEG CMAX,PB
C402	2113944A31	CAP,CHIP,33PF,+5%,-5%,50V-DC,0402,C0G,-55DEG CMIN, 125DEG CMAX,P
C404	2113944A31	CAP,CHIP,33PF,+5%,-5%,50V-DC,0402,C0G,-55DEG CMIN, 125DEG CMAX,P
C405	2113944A31	CAP,CHIP,33PF,+5%,-5%,50V-DC,0402,C0G,-55DEG CMIN, 125DEG CMAX,P
C406	2113944A31	CAP,CHIP,33PF,+5%,-5%,50V-DC,0402,C0G,-55DEG CMIN, 125DEG CMAX,P
C407	2113944A31	CAP,CHIP,33PF,+5%,-5%,50V-DC,0402,C0G,-55DEG CMIN, 125DEG CMAX,P
C408	0613952R66	RES,MF,0OHM,5%,.0625W,SM, 0402,PB-FREE
C409	0613952R66	RES,MF,0OHM,5%,.0625W,SM, 0402,PB-FREE
C410	0613952R66	RES,MF,0OHM,5%,.0625W,SM, 0402,PB-FREE
C411	0613952R66	RES,MF,0OHM,5%,.0625W,SM, 0402,PB-FREE
C412	2113944A27	CAP,CHIP,15PF,+5%,-5%,50V-DC,0402,C0G,-55DEG CMIN, 125DEG CMAX,P
C413	2113944A33	CAP,CHIP,47PF,+5%,-5%,50V-DC,0402,C0G,-55DEG CMIN, 125DEG CMAX,P
C414	0613952R66	RES,MF,0OHM,5%,.0625W,SM, 0402,PB-FREE
C415	0613952R66	RES,MF,0OHM,5%,.0625W,SM, 0402,PB-FREE

Ref. Des.	Part Number	Description
C416	2113944A31	CAP,CHIP,33PF,+5%,-5%,50V-DC,0402,C0G,-55DEG CMIN, 125DEG CMAX,P
C417	2113944A31	CAP,CHIP,33PF,+5%,-5%,50V-DC,0402,C0G,-55DEG CMIN, 125DEG CMAX,P
C418	2113944A31	CAP,CHIP,33PF,+5%,-5%,50V-DC,0402,C0G,-55DEG CMIN, 125DEG CMAX,P
C419	2113944A31	CAP,CHIP,33PF,+5%,-5%,50V-DC,0402,C0G,-55DEG CMIN, 125DEG CMAX,P
C421	2113946D07	CAP,CHIP,4.7UF,+10%,-10%, 6.3V-DC,0603,X5R,-55DEG CMIN,85DEG CMA
C422	2113944A31	CAP,CHIP,33PF,+5%,-5%,50V-DC,0402,C0G,-55DEG CMIN, 125DEG CMAX,P
C423	2113944A21	CAP,CHIP,6.8PF,.5PF+/-,50V-DC, 0402,C0G,-55DEG CMIN, 125DEG CMAX
C424	2113944A31	CAP,CHIP,33PF,+5%,-5%,50V-DC,0402,C0G,-55DEG CMIN, 125DEG CMAX,P
C425	2113944A12	CAP,CHIP,3PF,.25PF+/-,50V-DC, 0402,C0G,-55DEG CMIN, 125DEG CMAX
C426	2113944A63	CAP,FXD,1PF,.25PF+/-,50V-DC,0402,C0G,-55DEG CMIN, 125DEG CMAX,P
C427	2113946D07	CAP,CHIP,4.7UF,+10%,-10%, 6.3V-DC,0603,X5R,-55DEG CMIN,85DEG CMA
C428	2113946D07	CAP,CHIP,4.7UF,+10%,-10%, 6.3V-DC,0603,X5R,-55DEG CMIN,85DEG CMA
C429	2113944A31	CAP,CHIP,33PF,+5%,-5%,50V-DC,0402,C0G,-55DEG CMIN, 125DEG CMAX,P
C430	2113944A21	CAP,CHIP,6.8PF,.5PF+/-,50V-DC, 0402,C0G,-55DEG CMIN, 125DEG CMAX
C431	2113944A31	CAP,CHIP,33PF,+5%,-5%,50V-DC,0402,C0G,-55DEG CMIN, 125DEG CMAX,P

Ref. Des.	Part Number	Description	Ref. Des.	Part Number	Description	Ref. Des.	Part Number	Description	Ref. Des.	Part Number	Description
C630	2113946B04	CAP,CHIP,.1UF,+10%,-10%,10V-DC,0402,X5R,-55DEG CMIN,85DEG CMAX	C702	2113944A44	CAP,CHIP,220PF,+5%,-5%,50V-DC,0402,C0G,-55DEG CMIN,125DEG CMAX	C730	2113945C31	CAP,FXD,.1UF,+10%,-10%,50V-DC,0603,X7R,-55DEG CMIN,125DEG CMAX	C756	2113955D37	CAP,FXD,10UF,+10%,-10%,16V-DC,1206,X7R,-55DEG CMIN,125DEG CMAX
C631	2113944A27	CAP,CHIP,15PF,+5%,-5%,50V-DC,0402,C0G,-55DEG CMIN,125DEG CMAX,P	C704	2113944A35	CAP,CHIP,62PF,+5%,-5%,50V-DC,0402,C0G,-55DEG CMIN,125DEG CMAX,P	C731	2113945C31	CAP,FXD,.1UF,+10%,-10%,50V-DC,0603,X7R,-55DEG CMIN,125DEG CMAX	C757	2113945C31	CAP,FXD,.1UF,+10%,-10%,50V-DC,0603,X7R,-55DEG CMIN,125DEG CMAX
C632	2113944A40	CAP,CHIP,100PF,+5%,-5%,50V-DC,0402,C0G,-55DEG CMIN,125DEG CMAX	C705	2113944A44	CAP,CHIP,220PF,+5%,-5%,50V-DC,0402,C0G,-55DEG CMIN,125DEG CMAX	C732	2113944A32	CAP,CHIP,39PF,+5%,-5%,50V-DC,0402,C0G,-55DEG CMIN,125DEG CMAX,P	C758	2113946B02	CAP,CHIP,.047UF,+10%,-10%,10V-DC,0402,X5R,-55DEG CMIN,85DEG CMA
C633	2113945B02	CAP,CHIP,.01UF,+10%,-10%,25V-DC,0402,X7R,-55DEG CMIN,125DEG CMA	C709	2113944A44	CAP,CHIP,220PF,+5%,-5%,50V-DC,0402,C0G,-55DEG CMIN,125DEG CMAX	C734	2113945C31	CAP,FXD,.1UF,+10%,-10%,50V-DC,0603,X7R,-55DEG CMIN,125DEG CMAX	C759	2113945G95	CAP,FXD,.22UF,+10%,-10%,50V-DC,0805,X7R,-55DEG CMIN,125DEG CMAX
C634	2113946B04	CAP,CHIP,.1UF,+10%,-10%,10V-DC,0402,X5R,-55DEG CMIN,85DEG CMAX	C710	2113944A49	CAP,CHIP,560PF,+5%,-5%,50V-DC,0402,C0G,-55DEG CMIN,125DEG CMAX	C736	2113945B02	CAP,CHIP,.01UF,+10%,-10%,25V-DC,0402,X7R,-55DEG CMIN,125DEG CMA	C760	2113944G97	CAP,FXD,.082UF,+5%,-5%,50V-DC,1206,C0G,-55DEG CMIN,125DEG CMAX
C635	2113945B02	CAP,CHIP,.01UF,+10%,-10%,25V-DC,0402,X7R,-55DEG CMIN,125DEG CMA	C711	2113944A34	CAP,CHIP,56PF,+5%,-5%,50V-DC,0402,C0G,-55DEG CMIN,125DEG CMAX,P	C737	2113945C31	CAP,FXD,.1UF,+10%,-10%,50V-DC,0603,X7R,-55DEG CMIN,125DEG CMAX	C762	2113945C26	CAP,FXD,.039UF,+10%,-10%,50V-DC,0603,X7R,-55DEG CMIN,125DEG CMA
C636	2113946B04	CAP,CHIP,.1UF,+10%,-10%,10V-DC,0402,X5R,-55DEG CMIN,85DEG CMAX	C712	NOT PLACED	–	C739	2113944A17	CAP,CHIP,4.7PF,25PF+/-,50V-DC,0402,C0G,-55DEG CMIN,125DEG CMA	C763	2113944G97	CAP,FXD,.082UF,+5%,-5%,50V-DC,1206,C0G,-55DEG CMIN,125DEG CMAX
C637	2113946B04	CAP,CHIP,.1UF,+10%,-10%,10V-DC,0402,X5R,-55DEG CMIN,85DEG CMAX	C715	2113945C31	CAP,FXD,.1UF,+10%,-10%,50V-DC,0603,X7R,-55DEG CMIN,125DEG CMAX	C742	2113945C31	CAP,FXD,.1UF,+10%,-10%,50V-DC,0603,X7R,-55DEG CMIN,125DEG CMAX	C765	2113944G97	CAP,FXD,.082UF,+5%,-5%,50V-DC,1206,C0G,-55DEG CMIN,125DEG CMAX
C638	2113945A12	CAP,CHIP,3300PF,+10%,-10%,50V-DC,0402,X7R,-55DEG CMIN,125DEG CM	C716	2113945C31	CAP,FXD,.1UF,+10%,-10%,50V-DC,0603,X7R,-55DEG CMIN,125DEG CMAX	C744	2113955D37	CAP,FXD,10UF,+10%,-10%,16V-DC,1206,X7R,-55DEG CMIN,125DEG CMAX	C766	2113945C01	CAP,CHIP,6800PF,+10%,-10%,50V-DC,0603,X7R,-55DEG CMIN,125DEG CM
C639	2113945B02	CAP,CHIP,.01UF,+10%,-10%,25V-DC,0402,X7R,-55DEG CMIN,125DEG CMA	C717	2113945C31	CAP,FXD,.1UF,+10%,-10%,50V-DC,0603,X7R,-55DEG CMIN,125DEG CMAX	C747	2113944A44	CAP,CHIP,220PF,+5%,-5%,50V-DC,0402,C0G,-55DEG CMIN,125DEG CMAX	C768	2113944G97	CAP,FXD,.082UF,+5%,-5%,50V-DC,1206,C0G,-55DEG CMIN,125DEG CMAX
C640	2113946B04	CAP,CHIP,.1UF,+10%,-10%,10V-DC,0402,X5R,-55DEG CMIN,85DEG CMAX	C718	2113945C31	CAP,FXD,.1UF,+10%,-10%,50V-DC,0603,X7R,-55DEG CMIN,125DEG CMAX	C748	2113944A44	CAP,CHIP,220PF,+5%,-5%,50V-DC,0402,C0G,-55DEG CMIN,125DEG CMAX	C769	2113945C20	CAP,FXD,.016UF,+10%,-10%,50V-DC,0603,X7R,-55DEG CMIN,125DEG CMA
C641	2113944A31	CAP,CHIP,33PF,+5%,-5%,50V-DC,0402,C0G,-55DEG CMIN,125DEG CMAX,P	C719	2113945C31	CAP,FXD,.1UF,+10%,-10%,50V-DC,0603,X7R,-55DEG CMIN,125DEG CMAX	C749	2113945C31	CAP,FXD,.1UF,+10%,-10%,50V-DC,0603,X7R,-55DEG CMIN,125DEG CMAX	C770	2113944G97	CAP,FXD,.082UF,+5%,-5%,50V-DC,1206,C0G,-55DEG CMIN,125DEG CMAX
C642	2113944A48	CAP,CHIP,470PF,+5%,-5%,50V-DC,0402,C0G,-55DEG CMIN,125DEG CMAX	C724	2113955D37	CAP,FXD,10UF,+10%,-10%,16V-DC,1206,X7R,-55DEG CMIN,125DEG CMAX	C750	2113945C31	CAP,FXD,.1UF,+10%,-10%,50V-DC,0603,X7R,-55DEG CMIN,125DEG CMAX	C771	2113944A40	CAP,CHIP,100PF,+5%,-5%,50V-DC,0402,C0G,-55DEG CMIN,125DEG CMAX
C643	2113944A48	CAP,CHIP,470PF,+5%,-5%,50V-DC,0402,C0G,-55DEG CMIN,125DEG CMAX	C725	2113945C31	CAP,FXD,.1UF,+10%,-10%,50V-DC,0603,X7R,-55DEG CMIN,125DEG CMAX	C752	2113944A43	CAP,CHIP,180PF,+5%,-5%,50V-DC,0402,C0G,-55DEG CMIN,125DEG CMAX	C775	2113945A09	CAP,CHIP,1000PF,+10%,-10%,50V-DC,0402,X7R,-55DEG CMIN,125DEG CM
C701	2113944A44	CAP,CHIP,220PF,+5%,-5%,50V-DC,0402,C0G,-55DEG CMIN,125DEG CMAX	C726	2113945C31	CAP,FXD,.1UF,+10%,-10%,50V-DC,0603,X7R,-55DEG CMIN,125DEG CMAX	C754	NOT PLACED	–	C777	2113944A31	CAP,CHIP,33PF,+5%,-5%,50V-DC,0402,C0G,-55DEG CMIN,125DEG CMAX,P

Ref. Des.	Part Number	Description	Ref. Des.	Part Number	Description	Ref. Des.	Part Number	Description	Ref. Des.	Part Number	Description
C779	2113944A40	CAP,CHIP,100PF,+5%,-5%,50V-DC,0402,C0G,-55DEG CMIN,125DEG CMAX	C802	2113946B06	CAP,CHIP,.22UF,+10%,-10%,10V-DC,0402,X5R,-55DEG CMIN,85DEG CMAX	C851	2113944A44	CAP,CHIP,220PF,+5%,-5%,50V-DC,0402,C0G,-55DEG CMIN,125DEG CMAX	C1019	21009257001	CAP,CER,18PF,50V-DC,-55DEG CMIN,125DEG CMAX,0805 18 PF ACCU
C783	2113944C53	CAP,CHIP,1500PF,+5%,-5%,50V-DC,0603,C0G,-55DEG CMIN,125DEG CMAX	C803	2113944A29	CAP,CHIP,22PF,+5%,-5%,50V-DC,0402,C0G,-55DEG CMIN,125DEG CMAX,P	C1001	2113944M30	CAP,FXD,33PF,+2%,-2%,50V-DC,0603,C0G,-55DEG CMIN,125DEG CMAX,PB	C1020	2113944C14	CAP,CHIP,2.2PF,.25PF+/-,50V-DC,0603,C0G,-55DEG CMIN,125DEG CMA
C789	2113946B04	CAP,CHIP,.1UF,+10%,-10%,10V-DC,0402,X5R,-55DEG CMIN,85DEG CMAX	C804	2113944A40	CAP,CHIP,100PF,+5%,-5%,50V-DC,0402,C0G,-55DEG CMIN,125DEG CMAX	C1002	2113944C22	CAP,CHIP,4.7PF,.25PF+/-,50V-DC,0603,C0G,-55DEG CMIN,125DEG CMA	C1021	2113944C23	CAP,CHIP,5.1PF,.5PF+/-,50V-DC,0603,C0G,-55DEG CMIN,125DEG CMAX
C790	2113946B04	CAP,CHIP,.1UF,+10%,-10%,10V-DC,0402,X5R,-55DEG CMIN,85DEG CMAX	C805	2113944A40	CAP,CHIP,100PF,+5%,-5%,50V-DC,0402,C0G,-55DEG CMIN,125DEG CMAX	C1003	2113945C02	CAP,CHIP,.01UF,+10%,-10%,50V-DC,0603,X7R,-55DEG CMIN,125DEG CMA	C1022	2113944M30	CAP,FXD,33PF,+2%,-2%,50V-DC,0603,C0G,-55DEG CMIN,125DEG CMAX,PB
C791	2113946B04	CAP,CHIP,.1UF,+10%,-10%,10V-DC,0402,X5R,-55DEG CMIN,85DEG CMAX	C806	2113946B06	CAP,CHIP,.22UF,+10%,-10%,10V-DC,0402,X5R,-55DEG CMIN,85DEG CMAX	C1004	2113944M30	CAP,FXD,33PF,+2%,-2%,50V-DC,0603,C0G,-55DEG CMIN,125DEG CMAX,PB	C1023	2113944M24	CAP,FXD,18PF,+2%,-2%,50V-DC,0603,C0G,-55DEG CMIN,125DEG CMAX,PB
C792	2113946B04	CAP,CHIP,.1UF,+10%,-10%,10V-DC,0402,X5R,-55DEG CMIN,85DEG CMAX	C810	2113944A44	CAP,CHIP,220PF,+5%,-5%,50V-DC,0402,C0G,-55DEG CMIN,125DEG CMAX	C1005	2113944M30	CAP,FXD,33PF,+2%,-2%,50V-DC,0603,C0G,-55DEG CMIN,125DEG CMAX,PB	C1024	2113945A12	CAP,CHIP,3300PF,+10%,-10%,50V-DC,0402,X7R,-55DEG CMIN,125DEG CM
C793	2113944A40	CAP,CHIP,100PF,+5%,-5%,50V-DC,0402,C0G,-55DEG CMIN,125DEG CMAX	C813	2113944A63	CAP,FXD,1PF,.25PF+/-,50V-DC,0402,C0G,-55DEG CMIN,125DEG CMAX,P	C1006	2113945C02	CAP,CHIP,.01UF,+10%,-10%,50V-DC,0603,X7R,-55DEG CMIN,125DEG CMA	C1025	2113945A12	CAP,CHIP,3300PF,+10%,-10%,50V-DC,0402,X7R,-55DEG CMIN,125DEG CM
C794	2113944A32	CAP,CHIP,39PF,+5%,-5%,50V-DC,0402,C0G,-55DEG CMIN,125DEG CMAX,P	C814	2113945A09	CAP,CHIP,1000PF,+10%,-10%,50V-DC,0402,X7R,-55DEG CMIN,125DEG CM	C1007	2113944M30	CAP,FXD,33PF,+2%,-2%,50V-DC,0603,C0G,-55DEG CMIN,125DEG CMAX,PB	C1101	2113945B02	CAP,CHIP,.01UF,+10%,-10%,25V-DC,0402,X7R,-55DEG CMIN,125DEG CMA
C795	2113944A40	CAP,CHIP,100PF,+5%,-5%,50V-DC,0402,C0G,-55DEG CMIN,125DEG CMAX	C816	2113944A31	CAP,CHIP,33PF,+5%,-5%,50V-DC,0402,C0G,-55DEG CMIN,125DEG CMAX,P	C1008	2113944M30	CAP,FXD,33PF,+2%,-2%,50V-DC,0603,C0G,-55DEG CMIN,125DEG CMAX,PB	C1102	2188468Y01	CAP,CHIP,1UF,+10,-10,25V-DC,0805,X7R
C796	2113944A40	CAP,CHIP,100PF,+5%,-5%,50V-DC,0402,C0G,-55DEG CMIN,125DEG CMAX	C820	2113944A44	CAP,CHIP,220PF,+5%,-5%,50V-DC,0402,C0G,-55DEG CMIN,125DEG CMAX	C1009	2113944M30	CAP,FXD,33PF,+2%,-2%,50V-DC,0603,C0G,-55DEG CMIN,125DEG CMAX,PB	C1103	2113945B02	CAP,CHIP,.01UF,+10%,-10%,25V-DC,0402,X7R,-55DEG CMIN,125DEG CMA
C797	2113944A40	CAP,CHIP,100PF,+5%,-5%,50V-DC,0402,C0G,-55DEG CMIN,125DEG CMAX	C830	2113944A44	CAP,CHIP,220PF,+5%,-5%,50V-DC,0402,C0G,-55DEG CMIN,125DEG CMAX	C1010	2113945C02	CAP,CHIP,.01UF,+10%,-10%,50V-DC,0603,X7R,-55DEG CMIN,125DEG CMA	C1104	NOT PLACED	-
C798	2113945A09	CAP,CHIP,1000PF,+10%,-10%,50V-DC,0402,X7R,-55DEG CMIN,CM	C831	2113944A40	CAP,CHIP,100PF,+5%,-5%,50V-DC,0402,C0G,-55DEG CMIN,125DEG CMAX	C1013	2113944M21	CAP,FXD,13PF,+2%,-2%,50V-DC,0603,C0G,-55DEG CMIN,125DEG CMAX,PB	C1105	2113944A19	CAP,CHIP,5.6PF,.5PF+/-,50V-DC,0402,C0G,-55DEG CMIN,125DEG CMAX
C799	2113944A40	CAP,CHIP,100PF,+5%,-5%,50V-DC,0402,C0G,-55DEG CMIN,125DEG CMAX	C836	2113944A33	CAP,CHIP,47PF,+5%,-5%,50V-DC,0402,C0G,-55DEG CMIN,125DEG CMAX,P	C1014	NOT PLACED	-	C1106	2113945B02	CAP,CHIP,.01UF,+10%,-10%,25V-DC,0402,X7R,-55DEG CMIN,125DEG CMA
C800	2113944A29	CAP,CHIP,22PF,+5%,-5%,50V-DC,0402,C0G,-55DEG CMIN,125DEG CMAX,P	C838	2113945A09	CAP,CHIP,1000PF,+10%,-10%,50V-DC,0402,X7R,-55DEG CMIN,125DEG CM	C1015	2113944M30	CAP,FXD,33PF,+2%,-2%,50V-DC,0603,C0G,-55DEG CMIN,125DEG CMAX,PB	C1107	2113944A40	CAP,CHIP,100PF,+5%,-5%,50V-DC,0402,C0G,-55DEG CMIN,125DEG CMAX
C801	2113944A21	CAP,CHIP,6.8PF,.5PF+/-,50V-DC,0402,C0G,-55DEG CMIN,125DEG CMAX	C844	2113944A33	CAP,CHIP,47PF,+5%,-5%,50V-DC,0402,C0G,-55DEG CMIN,125DEG CMAX,P	C1018	2113944M30	CAP,FXD,33PF,+2%,-2%,50V-DC,0603,C0G,-55DEG CMIN,125DEG CMAX,PB	C1108	2113946B03	CAP,CHIP,.068UF,+10%,-10%,10V-DC,0402,X5R,-55DEG CMIN,85DEG CMA
									C1109	2113944A40	CAP,CHIP,100PF,+5%,-5%,50V-DC,0402,C0G,-55DEG CMIN,125DEG CMAX

Ref. Des.	Part Number	Description	Ref. Des.	Part Number	Description	Ref. Des.	Part Number	Description	Ref. Des.	Part Number	Description
C1110	2113944A40	CAP,CHIP,100PF,+5%,-5%,50V-DC,0402,C0G,-55DEG CMIN,125DEG CMAX	C1128	2113945B02	CAP,CHIP,.01UF,+10%,-10%,25V-DC,0402,X7R,-55DEG CMIN,125DEG CMA	C1303	2113944A26	CAP,CHIP,12PF,+5%,-5%,50V-DC,0402,C0G,-55DEG CMIN,125DEG CMAX,P	C1602	2113944M42	CAP,FXD,100PF,+2%,-2%,50V-DC,0603,C0G,-55DEG CMIN,125DEG CMAX,P
C1111	2113945Y02	CAP,FXD,.1UF,+10%,-10%,16V-DC,0402,X7R,-55DEG CMIN,125DEG CMAX	C1129	2113945B02	CAP,CHIP,.01UF,+10%,-10%,25V-DC,0402,X7R,-55DEG CMIN,125DEG CMA	C1304	2113945A09	CAP,CHIP,1000PF,+10%,-10%,50V-DC,0402,X7R,-55DEG CMIN,125DEG CM	C1603	2113945L49	CAP,FXD,.01UF,+5%,-5%,50V-DC,0603,X7R,-55DEG CMIN,125DEG CMAX,P
C1112	2113945B01	CAP,CHIP,6800PF,+10%,-10%,25V-DC,0402,X7R,-55DEG CMIN,125DEG CM	C1130	2113945B02	CAP,CHIP,.01UF,+10%,-10%,25V-DC,0402,X7R,-55DEG CMIN,125DEG CMA	C1305	2113944A30	CAP,CHIP,27PF,+5%,-5%,50V-DC,0402,C0G,-55DEG CMIN,125DEG CMAX,P	C1604	2113944M42	CAP,FXD,100PF,+2%,-2%,50V-DC,0603,C0G,-55DEG CMIN,125DEG CMAX,P
C1113	2113945B02	CAP,CHIP,.01UF,+10%,-10%,25V-DC,0402,X7R,-55DEG CMIN,125DEG CMA	C1132	NOT PLACED	–	C1306	2113945B02	CAP,CHIP,.01UF,+10%,-10%,25V-DC,0402,X7R,-55DEG CMIN,125DEG CMA	C1605	2113945B02	CAP,CHIP,.01UF,+10%,-10%,25V-DC,0402,X7R,-55DEG CMIN,125DEG CMA
C1116	2113945Y02	CAP,FXD,.1UF,+10%,-10%,16V-DC,0402,X7R,-55DEG CMIN,125DEG CMAX	C1134	2113945B02	CAP,CHIP,.01UF,+10%,-10%,25V-DC,0402,X7R,-55DEG CMIN,125DEG CMA	C1307	2113944A26	CAP,CHIP,12PF,+5%,-5%,50V-DC,0402,C0G,-55DEG CMIN,125DEG CMAX,P	C1606	2113944A40	CAP,CHIP,100PF,+5%,-5%,50V-DC,0402,C0G,-55DEG CMIN,125DEG CMAX
C1117	2113945A12	CAP,CHIP,3300PF,+10%,-10%,50V-DC,0402,X7R,-55DEG CMIN,125DEG CM	C1135	NOT PLACED	–	C1308	2113944A28	CAP,CHIP,18PF,+5%,-5%,50V-DC,0402,C0G,-55DEG CMIN,125DEG CMAX,P	C1607	2113944M25	CAP,FXD,20PF,+2%,-2%,50V-DC,0603,C0G,-55DEG CMIN,125DEG CMAX,PB
C1118	2113945B02	CAP,CHIP,.01UF,+10%,-10%,25V-DC,0402,X7R,-55DEG CMIN,125DEG CMA	C1137	2113945B04	CAP,FXD,.022UF,+10%,-10%,25V-DC,0402,X7R,-55DEG CMIN,125DEG CMA	C1309	2175389H01	CAP,.5PF,CAP,.5PF,CHIP,0402,CERAMIC,50V	C1608	2113944M42	CAP,FXD,100PF,+2%,-2%,50V-DC,0603,C0G,-55DEG CMIN,125DEG CMAX,P
C1119	2113945B02	CAP,CHIP,.01UF,+10%,-10%,25V-DC,0402,X7R,-55DEG CMIN,125DEG CMA	C1138	2113945B04	CAP,FXD,.022UF,+10%,-10%,25V-DC,0402,X7R,-55DEG CMIN,125DEG CMA	C1310	2113944A17	CAP,CHIP,4.7PF,.25PF+/-,50V-DC,0402,C0G,-55DEG CMIN,125DEG CMA	C1609	2113944A40	CAP,CHIP,100PF,+5%,-5%,50V-DC,0402,C0G,-55DEG CMIN,125DEG CMAX
C1120	2113945B02	CAP,CHIP,.01UF,+10%,-10%,25V-DC,0402,X7R,-55DEG CMIN,125DEG CMA	C1139	2113944A25	CAP,CHIP,10PF,+5%,-5%,50V-DC,0402,C0G,-55DEG CMIN,125DEG CMAX,P	C1411	2113944C36	CAP,CHIP,33PF,+5%,-5%,50V-DC,0603,C0G,-55DEG CMIN,125DEG CMAX,P	C1610	2113944M02	CAP,FXD,2.2PF,.1PF+/-,50V-DC,0603,C0G,-55DEG CMIN,125DEG CMAX
C1122	2175390H01	CAP,CER,2.2PF,50V-DC,C0G,CAP,2.2PF,0402,CERAMIC,50V	C1140	2113945A13	CAP,CHIP,4700PF,+10%,-10%,50V-DC,0402,X7R,-55DEG CMIN,125DEG CM	C1413	2113944C62	CAP,FXD,.75PF,.1PF+/-,50V-DC,0603,C0G,-55DEG CMIN,125DEG CMAX	C1611	2113945L49	CAP,FXD,.01UF,+5%,-5%,50V-DC,0603,X7R,-55DEG CMIN,125DEG CMAX,P
C1123	2113945B02	CAP,CHIP,.01UF,+10%,-10%,25V-DC,0402,X7R,-55DEG CMIN,125DEG CMA	C1141	2113945Y02	CAP,FXD,.1UF,+10%,-10%,16V-DC,0402,X7R,-55DEG CMIN,125DEG CMAX	C1414	2113944C63	CAP,FXD,1PF,.1PF+/-,50V-DC,0603,C0G,-55DEG CMIN,125DEG CMAX,PB	C1612	NOT PLACED	–
C1124	2113945A13	CAP,CHIP,4700PF,+10%,-10%,50V-DC,0402,X7R,-55DEG CMIN,125DEG CM	C1142	2113945A09	CAP,CHIP,1000PF,+10%,-10%,50V-DC,0402,X7R,-55DEG CMIN,125DEG CM	C1418	2113944C13	CAP,CHIP,2PF,.25PF+/-,50V-DC,0603,C0G,-55DEG CMIN,125DEG CMAX	C1613	2113944M42	CAP,FXD,100PF,+2%,-2%,50V-DC,0603,C0G,-55DEG CMIN,125DEG CMAX,P
C1125	2113944A19	CAP,CHIP,5.6PF,.5PF+/-,50V-DC,0402,C0G,-55DEG CMIN,125DEG CMAX	C1149	2113944A40	CAP,CHIP,100PF,+5%,-5%,50V-DC,0402,C0G,-55DEG CMIN,125DEG CMAX	C1419	NOT PLACED	–	C1615	2113944A40	CAP,CHIP,100PF,+5%,-5%,50V-DC,0402,C0G,-55DEG CMIN,125DEG CMAX
C1126	2113945A09	CAP,CHIP,1000PF,+10%,-10%,50V-DC,0402,X7R,-55DEG CMIN,125DEG CM	C1150	2175392H01	CAP,CER,1.2PF,50V-DC,C0G,CAP,1.2PF,0402,CERAMIC,50V	C1424	2113944C63	CAP,FXD,1PF,.1PF+/-,50V-DC,0603,C0G,-55DEG CMIN,125DEG CMAX,PB	C1616	2113944M33	CAP,FXD,43PF,+2%,-2%,50V-DC,0603,C0G,-55DEG CMIN,125DEG CMAX,PB
C1127	2113945Y02	CAP,FXD,.1UF,+10%,-10%,16V-DC,0402,X7R,-55DEG CMIN,125DEG CMAX	C1301	2113944M20	CAP,FXD,12PF,+2%,-2%,50V-DC,0603,C0G,-55DEG CMIN,125DEG CMAX,PB	C1425	2113944C61	CAP,FXD,.5PF,.1PF+/-,50V-DC,0603,C0G,-55DEG CMIN,125DEG CMAX,P	C1617	2113945B02	CAP,CHIP,.01UF,+10%,-10%,25V-DC,0402,X7R,-55DEG CMIN,125DEG CMA
			C1302	2114036F74	CAP,FXD,1.8PF,.05PF+/-,25V-DC,0402,C0G,-55DEG CMIN,125DEG CMAX	C1601	2113944M42	CAP,FXD,100PF,+2%,-2%,50V-DC,0603,C0G,-55DEG CMIN,125DEG CMAX,P			

Ref. Des.	Part Number	Description	Ref. Des.	Part Number	Description	Ref. Des.	Part Number	Description	Ref. Des.	Part Number	Description
C1618	2113944M42	CAP,FXD,100PF,+2%,-2%,50V-DC,0603,C0G,-55DEG CMIN,125DEG CMAX,P	C1821	2113944M17	CAP,FXD,9.1PF,.1PF+/-,50V-DC,0603,C0G,-55DEG CMIN,125DEG CMAX	C2038	2115153H09	CAP,FXD,1.8PF,.1PF+/-,50V-DC,0402,C0G	D723	4815011H01	DIODE,SWG,SM,300MA,80V,TRP
C1619	2113944M22	CAP,FXD,15PF,+2%,-2%,50V-DC,0603,C0G,-55DEG CMIN,125DEG CMAX,PB	C1822	2113944M42	CAP,FXD,100PF,+2%,-2%,50V-DC,0603,C0G,-55DEG CMIN,125DEG CMAX,P	C2039	2115153H15	CAP,FXD,3.3PF,.1PF+/-,50V-DC,0402,C0G	E200	2405688Z01	IDCTR,BEAD,FERR BEAD
C1620	2171741M01	CAP,FXD,47PF,+5%,-5%,50V-DC,COG,HI Q CAP	C1826	2113944M04	CAP,FXD,2.7PF,.1PF+/-,50V-DC,0603,C0G,-55DEG CMIN,125DEG CMAX	C2041	2113946B04	CAP,CHIP,.1UF,+10%,-10%,10V-DC,0402,X5R,-55DEG CMIN,85DEG CMAX	E201	2405688Z01	IDCTR,BEAD,FERR BEAD
C1621	2171741M08	CAP,CER CHIP,22PF,+5%,-5%,50V-DC,C0G,-55DEG CMIN,125DEG CMAX,H	C1827	2113944M10	CAP,FXD,4.7PF,.1PF+/-,50V-DC,0603,C0G,-55DEG CMIN,125DEG CMAX	C2042	2115153H13	CAP,FXD,2.7PF,.1PF+/-,50V-DC,0402,C0G	E401	2480640Z01	FLTR,FERR,SM,SUR MT FERR BEAD
C1622	2113944M23	CAP,FXD,16PF,+2%,-2%,50V-DC,0603,C0G,-55DEG CMIN,125DEG CMAX,PB	C2020	2113946D07	CAP,CHIP,4.7UF,+10%,-10%,6.3V-DC,0603,X5R,-55DEG CMIN,85DEG CMA	C2044	2115153H26	CAP,CER CHIP,9.1PF,.1PF+/-,+1%,-1%,50V-DC,0402,C0G	E402	2480640Z01	FLTR,FERR,SM,SUR MT FERR BEAD
C1623	2113944C08	CAP,CHIP,1.2PF,.25PF+/-,50V-DC,0603,C0G,-55DEG CMIN,125DEG CMA	C2022	2113944A40	CAP,CHIP,100PF,+5%,-5%,50V-DC,0402,C0G,-55DEG CMIN,125DEG CMAX	C2052	2115153H41	CAP,FXD,22PF,+1%,-1%,50V-DC,0402,C0G	E501	2480640Z01	FLTR,FERR,SM,SUR MT FERR BEAD
C1624	2113944M22	CAP,FXD,15PF,+2%,-2%,50V-DC,0603,C0G,-55DEG CMIN,125DEG CMAX,PB	C2023	2113944A40	CAP,CHIP,100PF,+5%,-5%,50V-DC,0402,C0G,-55DEG CMIN,125DEG CMAX	C2053	2115153H24	CAP,FXD,7.5PF,.1PF+/-,50V-DC,0402,C0G	E601	2480640Z01	FLTR,FERR,SM,SUR MT FERR BEAD
C1625	2113944M42	CAP,FXD,100PF,+2%,-2%,50V-DC,0603,C0G,-55DEG CMIN,125DEG CMAX,P	C2024	2113946D07	CAP,CHIP,4.7UF,+10%,-10%,6.3V-DC,0603,X5R,-55DEG CMIN,85DEG CMA	C2054	2113944A40	CAP,CHIP,100PF,+5%,-5%,50V-DC,0402,C0G,-55DEG CMIN,125DEG CMAX	E602	2480640Z01	FLTR,FERR,SM,SUR MT FERR BEAD
C1628	2113944M08	CAP,FXD,3.9PF,.1PF+/-,50V-DC,0603,C0G,-55DEG CMIN,125DEG CMAX	C2025	2113944A40	CAP,CHIP,100PF,+5%,-5%,50V-DC,0402,C0G,-55DEG CMIN,125DEG CMAX	C2055	2113946B04	CAP,CHIP,.1UF,+10%,-10%,10V-DC,0402,X5R,-55DEG CMIN,85DEG CMAX	E603	2480640Z01	FLTR,FERR,SM,SUR MT FERR BEAD
C1629	2113945A12	CAP,CHIP,3300PF,+10%,-10%,50V-DC,0402,X7R,-55DEG CMIN,125DEG CM	C2026	2113946B04	CAP,CHIP,.1UF,+10%,-10%,10V-DC,0402,X5R,-55DEG CMIN,85DEG CMAX	C2056	2115153H24	CAP,FXD,7.5PF,.1PF+/-,50V-DC,0402,C0G	E604	2480640Z01	FLTR,FERR,SM,SUR MT FERR BEAD
C1630	2113945A12	CAP,CHIP,3300PF,+10%,-10%,50V-DC,0402,X7R,-55DEG CMIN,125DEG CM	C2028	2115153H24	CAP,FXD,7.5PF,.1PF+/-,50V-DC,0402,C0G	C2057	2115153H41	CAP,FXD,22PF,+1%,-1%,50V-DC,0402,C0G	E605	2480640Z01	FLTR,FERR,SM,SUR MT FERR BEAD
C1803	2113944M08	CAP,FXD,3.9PF,.1PF+/-,50V-DC,0603,C0G,-55DEG CMIN,125DEG CMAX	C2029	2115153H41	CAP,FXD,22PF,+1%,-1%,50V-DC,0402,C0G	C2058	2115153H13	CAP,FXD,2.7PF,.1PF+/-,50V-DC,0402,C0G	E606	2480640Z01	FLTR,FERR,SM,SUR MT FERR BEAD
C1804	2113944M08	CAP,FXD,3.9PF,.1PF+/-,50V-DC,0603,C0G,-55DEG CMIN,125DEG CMAX	C2032	2115153H57	CAP,FXD,100PF,+1%,-1%,50V-DC,0402,C0G	C2059	2115153H15	CAP,FXD,3.3PF,.1PF+/-,50V-DC,0402,C0G	E607	2480640Z01	FLTR,FERR,SM,SUR MT FERR BEAD
C1807	2113944M14	CAP,FXD,6.8PF,.1PF+/-,50V-DC,0603,C0G,-55DEG CMIN,125DEG CMAX	C2033	2115153H53	CAP,FXD,68PF,50V-DC,0402,C0G	C2060	2115153H11	CAP,FXD,2.2PF,.1PF+/-,50V-DC,0402,C0G	E608	2480640Z01	FLTR,FERR,SM,SUR MT FERR BEAD
C1820	2113944M08	CAP,FXD,3.9PF,.1PF+/-,50V-DC,0603,C0G,-55DEG CMIN,125DEG CMAX	C2035	2115153H15	CAP,FXD,3.3PF,.1PF+/-,50V-DC,0402,C0G	C2061	2115153H15	CAP,FXD,3.3PF,.1PF+/-,50V-DC,0402,C0G	E609	2480640Z01	FLTR,FERR,SM,SUR MT FERR BEAD
			C2036	2115153H07	CAP,FXD,1.5PF,.1PF+/-,50V-DC,0402,C0G	C2063	2115153H41	CAP,FXD,22PF,+1%,-1%,50V-DC,0402,C0G	E1101	2405688Z01	IDCTR,BEAD,FERR BEAD
			C2037	2115153H12	CAP,FXD,2.4PF,.1PF+/-,+4.2%,-4.2%,50V-DC,0402,C0G	C2064	2115153H24	CAP,FXD,7.5PF,.1PF+/-,50V-DC,0402,C0G	E2021	2480640Z01	FLTR,FERR,SM,SUR MT FERR BEAD
						D200	4813978A19	DIODE,RECT,MBR120,SM,SOD-123,1A,20V,SHTK,PB-FREE	F200	6575834B01	FUSE,FST BLW,2A,32V,FUSE SUR MT
						D722	4815011H01	DIODE,SWG,SM,300MA,80V,TRP	FL401	9175390A01	FLTR,DB,BANDPASS,762MHZ MIN,870MHZ MAX,50OHM,SM,SAW FILTER, DL
									FL402	9175390A01	FLTR,DB,BANDPASS,762MHZ MIN,870MHZ MAX,50OHM,SM,SAW FILTER, DL

Ref. Des.	Part Number	Description	Ref. Des.	Part Number	Description	Ref. Des.	Part Number	Description	Ref. Des.	Part Number	Description
FL501	91009300001	FLTR,BANDPASS,109.65MHZ NOM,FILTER,MONOLITHIC CRYSTAL,BAND	L507	2415427H36	IDCTR,WW,33NH,5%,400MA, CER,SM,0402,CHIP	L753	2415347H06	IDCTR,WW,2.2UH,5%,320MA, 1.2OHM,CER,SM,IDCTR, 2200NH	L1303	2414017P25	IDCTR,CHIP,100NH,5%,100MA, 5.5OHM,CER,8 Q,650MHZ SRF, SM,0402
FL1301	9189697V15	FLTR,1.57542GHZ NOM, 1.57642GHZ MIN,1.57442GHZ MAX,50OHM,SM,PB	L508	2415427H17	IDCTR,WW,8.2NH,5%,680MA, .1OHM,CER,SM,0402,CHIP	L802	2415429H26	IDCTR,WW,33NH,5%,600MA, .22OHM,CER,SM,0603,CHIP	L1305	2475391H01	IDCTR,WW,18UH,2%,.27OHM, INDUCTOR, 18 NH, CHIP, 0402, 2
J101	0909901V02	CONN,RCPT,SMT MCX	L509	2415427H17	IDCTR,WW,8.2NH,5%,680MA, .1OHM,CER,SM,0402,CHIP	L806	2415429H47	IDCTR,WW,390NH,5%,100MA, CER,SM,CHIP	L1306	2488090Y10	IDCTR,CHIP,5.6NH,5%,300MA, CER,SM,0402,MULAY PB FREE
J102	0975886B01	RF CONN,F,RECEPTACLE, COAX CBL	L510	24012011020	IDCTR,WW,1NH,2%,1.3A, .085OHM,CER,4.7GHZ SRF,SM, 0402 HI Q C	L817	2414032F41	IDCTR,WW,390NH,10%,200MA, 1.5OHM,CER,40 Q,730MHZ SRF,SM,PB-F	L1401	2415428H02	IDCTR,AW,2.55NH,5%,1.6A,AIR,3 TURNS,SM,AIR WOUND IDCTR
L200	2571269C01	IDCTR,COIL,1.5UH,20%,2.9A, .059OHM,FERR,SM,WW PWR W18 COMP	L511	2478057A13	IDCTR,WW,7.5NH,2%,.08OHM, CER,41 Q,5.3GHZ SRF,PCMT, 7.5 NH S	L821	2415429H47	IDCTR,WW,390NH,5%,100MA, CER,SM,CHIP	L1408	2460591A11	IDCTR,AW,7.66NH,COIL 7.66
L401	2415427H23	IDCTR,WW,12NH,5%,640MA,CE R,120KHZ SRF,SM,0402,CHIP	L601	2415429H43	IDCTR,WW,220NH,5%,300MA, 2.1OHM,CER,0 AWG,SM,0603, CHIP	L846	2414032F41	IDCTR,WW,390NH,10%,200MA, 1.5OHM,CER,40 Q,730MHZ SRF,SM,PB-F	L1410	2460591A11	IDCTR,AW,7.66NH,COIL 7.66
L402	2415427H23	IDCTR,WW,12NH,5%,640MA,CE R,120KHZ SRF,SM,0402,CHIP	L602	2466505A01	CHIP INDUCTOR,CHIP,10UH, 5%,150MA,FERR,0 AWG,SM, PB- FREE	L1001	2415429H37	IDCTR,WW,110NH,5%,300MA, .61OHM,CER,SM,0603,CHIP	L1601	2414017H14	IDCTR,CHIP,15NH,5%,3A, .32OHM,CER,12 Q,1.5GHZ SRF, SM,0603,PB-
L403	2415427H05	IDCTR,WW,2.4NH,5%,790MA, .068OHM,CER,SM,0402,CHIP	L603	2466505A01	CHIP INDUCTOR,CHIP,10UH, 5%, 150MA,FERR,0 AWG,SM, PB-FREE	L1002	2415429H10	IDCTR,WW,6.8NH,5%,700MA, .11OHM,CER,SM,0603,CHIP	L1602	2415429H37	IDCTR,WW,110NH,5%,300MA, .61OHM,CER,SM,0603,CHIP
L404	2415427H23	IDCTR,WW,12NH,5%,640MA,CE R,120KHZ SRF,SM,0402,CHIP	L604	2414032D16	IDCTR,WW,120NH,5%,800MA, .26OHM,CER,42 Q,1GHZ SRF,SM,PB-FREE	L1003	2415429H37	IDCTR,WW,110NH,5%,300MA, .61OHM,CER,SM,0603,CHIP	L1603	2414015A07	IDCTR,FXD,180NH,2%,750MA, .77OHM,CER,25 Q,700MHZ SRF,SM,1008
L405	2415427H23	IDCTR,WW,12NH,5%,640MA,CE R,120KHZ SRF,SM,0402,CHIP	L605	2414017Q54	IDCTR,FXD,3.9UH,10%,30MA, .9OHM,FERR,45 Q,38MHZ SRF,SM,0805,P	L1007	2460591K40	IDCTR,FXD,59.71NH,15%,12 TURNS,COUNTERCLOCK- WISE,28 AWG,SM,H	L1604	NOT PLACED	-
L406	2415427H11	IDCTR,WW,4.7NH,5%,640MA, .13OHM,CER,SM,0402,CHIP	L701	2415429H47	IDCTR,WW,390NH,5%,100MA, CER,SM,CHIP	L1009	2415428H02	IDCTR,AW,2.55NH,5%,1.6A,AIR,3 TURNS,SM,AIR WOUND IDCTR	L1605	2414017H07	IDCTR,CHIP,3.9NH,300MA, .14OHM,CER,10 Q,3.4GHZ SRF, SM,0603,P
L407	2415427H16	IDCTR,WW,7.5NH,5%,680MA, .1OHM,CER,SM,0402,CHIP	L720	2480646Z20	IDCTR,FXD,2.2UH,10%,15MA, SM,MULTI-LAYER CHIP	L1101	2415429H26	IDCTR,WW,33NH,5%,600MA, .22OHM,CER,SM,0603,CHIP	L1606	2.46E+30	IDCTR,AW,23.75NH,COIL 23.75
L408	2415427H21	IDCTR,WW,10NH,5%,480MA, .2OHM,CER,SM,0402,CHIP	L727	2480646Z20	IDCTR,FXD,2.2UH,10%,15MA, SM,MULTI-LAYER CHIP	L1102	2415429H10	IDCTR,WW,6.8NH,5%,700MA, .11OHM,CER,SM,0603,CHIP	L1609	2415428H02	IDCTR,AW,2.55NH,5%,1.6A,AIR,3 TURNS,SM,AIR WOUND IDCTR
L501	24012011014	IDCTR,WW,6.8NH,2%,1.5A, .055OHM,CER,5.8GHZ SRF,SM, 0402 HI Q	L728	2415429H47	IDCTR,WW,390NH,5%,100MA, CER,SM,CHIP	L1103	2475393H01	IDCTR,COIL,4.7NH,2%,750MA, .07OHM,SM,INDUCTOR, 4.7NH, 040	L1610	2415385H01	IDCTR,AW,8NH,2%,4A, .0026OHM,AIR,3 TURNS,RH, 140 Q,5GHZ SRF,SM,8
L502	2415429H30	IDCTR,WW,47NH,5%,600MA, CER,SM,CHIP	L733	2480646Z20	IDCTR,FXD,2.2UH,10%,15MA, SM,MULTI-LAYER CHIP	L1104	0613952R66	RES,MF,0OHM,5%,.0625W,SM, 0402,PB-FREE	L1619	2414017H16	IDCTR,CHIP,22NH,5%,300MA, .4OHM,CER,12 Q,1.25GHZ SRF, SM,0603
L503	2414032F38	IDCTR,WW,220NH,5%,400MA, .7OHM,CER,30 Q,630MHZ SRF, SM,PB-FRE	L735	2480646Z20	IDCTR,FXD,2.2UH,10%,15MA, SM,MULTI-LAYER CHIP	L1108	2409348J04	IDCTR,5%,SM,AIR CORE 2214	L1620	2414017H04	IDCTR,CHIP,2.2NH,300MA, .1OHM,CER,8 Q,4GHZ SRF,SM, 0603,PB-FR
L504	2414032F41	IDCTR,WW,390NH,10%,200MA, 1.5OHM,CER,40 Q,730MHZ SRF,SM,PB-F	L738	2480646Z20	IDCTR,FXD,2.2UH,10%,15MA, SM,MULTI-LAYER CHIP	L1114	2475394H01	IDCTR,COIL,11NH,2%,.14OHM, SM,INDUCTOR, 11NH, 0402, +/-2	L1803	2471884M01	IDCTR,AW,10.2NH,5%,AIR,SM, 10.2NH SQ SPR
L505	2415429H39	IDCTR,WW,150NH,5%,280MA, .92OHM,CER,SM,0603,CHIP	L741	2480646Z20	IDCTR,FXD,2.2UH,10%,15MA, SM,MULTI-LAYER CHIP	L1301	2488090Y07	IDCTR,CHIP,3.3NH,5%,300MA, CER,SM,0402,MULAY PB FREE	L1809	2471884M01	IDCTR,AW,10.2NH,5%,AIR,SM, 10.2NH SQ SPR
L506	2415429H39	IDCTR,WW,150NH,5%,280MA, .92OHM,CER,SM,0603,CHIP				L1302	2488090Y25	IDCTR,CHIP,100NH,5%,90MA, CER,SM,0402,MULAY PB FREE	L1811	2471884M01	IDCTR,AW,10.2NH,5%,AIR,SM, 10.2NH SQ SPR

Ref. Des.	Part Number	Description
L2008	2478057A09	IDCTR,WW,5.6NH,2%,1.7A, .036OHM,CER,48 Q,6.6GHZ SRF, SM,5.6 N
L2009	2478057A23	IDCTR,WW,18NH,2%,.066OHM, CER,41 Q,3.3GHZ SRF,PCMT,18 NH SU
L2010	2478057A23	IDCTR,WW,18NH,2%,.066OHM, CER,41 Q,3.3GHZ SRF,PCMT,18 NH SU
L2012	2478057A09	IDCTR,WW,5.6NH,2%,1.7A, .036OHM,CER,48 Q,6.6GHZ SRF, SM,5.6 N
L2013	2478057A23	IDCTR,WW,18NH,2%,.066OHM, CER,41 Q,3.3GHZ SRF,PCMT, 18 NH SU
L2014	2478057A23	IDCTR,WW,18NH,2%,.066OHM, CER,41 Q,3.3GHZ SRF,PCMT, 18 NH SU
L2015	2478057A41	IDCTR,WW,91NH,2%,440MA, .58OHM,CER,1.65GHZ SRF,SM, 0306 HI Q
L2016	2414017P15	IDCTR,CHIP,15NH,5%,300MA, .65OHM,CER,9 Q,1.95GHZ SRF, SM,0402
L2017	2478057A40	IDCTR,WW,82NH,2%,510MA, .46OHM,CER,1.8GHZ SRF, SM,0306 HI Q
L2019	2414017P15	IDCTR,CHIP,15NH,5%,300MA, .65OHM,CER,9 Q,1.95GHZ SRF, SM,0402
L2034	2478057A29	IDCTR,WW,56NH,2%,610MA, .3OHM,CER,5GHZ SRF,SM, 0306 HI Q CHI
L2035	2478057A24	IDCTR,WW,22NH,2%,.14OHM, CER,44 Q,3.15GHZ SRF,PCMT, 22 NH SU
L2036	2415429H01	IDCTR,WW,1.6NH,5%,700MA, .03OHM,CER,SM,0603,CHIP
M1	3275623B02	GSKT,CUST,PAD, THRM ELEC
M2	75009299001	PAD,THRM INTFC - CNDT,PAD, THRM
M103	3987977Y04	CONT,CONN,1CONT,ANT UNIV 4.5MM,UC 1.8
M104	NOT PLACED	–

Ref. Des.	Part Number	Description
M105	3987977Y04	CONT,CONN,1CONT,ANT UNIV 4.5MM,UC 1.8
M106	NOT PLACED	–
M101M1	2871616H01	CONN,N/A,GLD,CONNECTOR, BPLUS
P101	2887818K05	RECTANGULAR CONNECTOR, STKNG,MIX,40CONT,VERT,SMD
PASTE	1085674C03	PROD CONSUM,SLDR,T MELT = 217C
PCB	8478163A01	PCB,XCVR,10 LAYER,BOARD, PC, PORT UHF1 & 7/800
Q201	4813970A59	XSTR,FET GP PWR,P-CH, ENHN,SM,SOT-23,20V,.4W,PB- FREE
Q202	4813973A32	XSTR,BIP GP SS,NPN,SM,SC-70, SMT,50V,.202W,100MA,PB-FREE
Q401	4813973A32	XSTR,BIP GP SS,NPN,SM,SC-70, SMT,50V,.202W,100MA,PB-FREE
Q402	4813973M75	XSTR,BIP GP SS,PNP,BC858, SOT-563,SMT,-30V,.357W, -100MA,100MHZ
Q403	4813973M75	XSTR,BIP GP SS,PNP,BC858, SOT-563,SMT,-30V,.357W, -100MA,100MHZ
Q501	4813973M75	XSTR,BIP GP SS,PNP,BC858, SOT-563,SMT,-30V,.357W, -100MA,100MHZ
Q503	4885316E32	XSTR,BIP RF SML SGNL,SLCN, BFR380F,SM,SMT,6V,380W,80A, 14MHZ,TR
Q601	4813973A04	XSTR,BIP GP SS,NPN,TA13, SM, -23,SMT,30V,.225W, 300MA, 125MHZ,P
Q703	4813973M75	XSTR,BIP GP SS,PNP,BC858, SOT-563,SMT,-30V,.357W, -100MA,100MHZ
Q712	4813973M75	XSTR,BIP GP SS,PNP,BC858, SOT-563,SMT,-30V,.357W, -100MA,100MHZ
Q713	4805585Q32	XSTR,BIP RF SML SGNL,NPN, NE662M04, SM,SOT-343,3.3V, TRANSITO

Ref. Des.	Part Number	Description
Q714	4889394V04	XSTR,FET GP SS,MOSFET,N- CH,ENHN,SM,20V,.25W,PB- FREE TWO FETS
Q774	4885061Y01	XSTR,BIP RF SML SGNL,NPN, SM,12GHZ
Q842	4805585Q32	XSTR,BIP RF SML SGNL,NPN ,NE662M04,SM,SOT-343,3.3V, TRANSITO
Q1001	5185633C91	AMPLIFIER MODULE,MODULE, RING,XSTR,FET RF PWR,7/800
Q1101	4813973A32	XSTR,BIP GP SS,NPN,SM,SC-70, SMT,50V,.202W,100MA,PB-FREE
Q1102	4813973A32	XSTR,BIP GP SS,NPN,SM,SC-70, SMT,50V,.202W,100MA,PB-FREE
Q1103	4813970A59	XSTR,FET GP PWR,P-CH, ENHN,SM,SOT-23,20V,.4W,PB- FREE
Q1104	4813970A59	XSTR,FET GP PWR,P-CH, ENHN,SM,SOT-23,20V,.4W,PB- FREE
Q1105	NOT PLACED	–
Q1601	5185633C92	AMPLIFIER MODULE, MODULE,RING,XSTR, FET RF POWER, UHF
Q2020	4813973A32	XSTR,BIP GP SS,NPN,SM,SC-70, SMT,50V,.202W,100MA,PB-FREE
Q2022	4813973M75	XSTR,BIP GP SS,PNP, BC858, SOT-563,SMT,-30V,.357W, -100MA,100MHZ
R101	0613952R01	RES,MF,10KOHM,5%,.0625W,SM ,0402,200PPM/CEL,PB-FREE
R103	0613952R01	RES,MF,10KOHM,5%,.0625W,SM ,0402,200PPM/CEL,PB-FREE
R201	0613952R25	RES,MF,100KOHM,5%,.0625W,S M,0402,200PPM/CEL,PB-FREE
R202	0613952Q89	RES,MF,4.7KOHM,5%,.0625W,S M,0402,200PPM/CEL,PB-FREE
R401	0613952R09	RES,MF,22KOHM,5%,.0625W,SM ,0402,200PPM/CEL,PB-FREE
R402	0613952R23	RES,MF,82KOHM,5%,.0625W,SM ,0402,200PPM/CEL,PB-FREE
R403	0613952Q85	RES,MF,3.3KOHM,5%,.0625W,S M,0402,200PPM/CEL,PB-FREE

Ref. Des.	Part Number	Description
R404	0613952Q45	RES,MF,68OHM,5%,.0625W,SM, 0402,200PPM/CEL,PB-FREE
R405	0613952Q25	RES,MF,10OHM,5%,.0625W,SM, 0402,200PPM/CEL,PB-FREE
R406	0613952Q11	RES,MF,2.7OHM,5%,.0625W,SM, 0402,200PPM/CEL,PB-FREE
R407	0613952R09	RES,MF,22KOHM,5%,.0625W,SM ,0402,200PPM/CEL,PB-FREE
R408	0613952R23	RES,MF,82KOHM,5%,.0625W,SM ,0402,200PPM/CEL,PB-FREE
R409	0613952Q85	RES,MF,3.3KOHM,5%,.0625W,S M,0402,200PPM/CEL,PB-FREE
R410	0613952Q45	RES,MF,68OHM,5%,.0625W,SM, 0402,200PPM/CEL,PB-FREE
R411	0613952Q25	RES,MF,10OHM,5%,.0625W,SM, ,200PPM/CEL,PB-FREE
R412	0613952Q11	RES,MF,2.7OHM,5%,.0625W,SM, 0402,200PPM/CEL,PB-FREE
R413	0613952Q11	RES,MF,2.7OHM,5%,.0625W,SM, 0402,200PPM/CEL,PB-FREE
R501	NOT PLACED	–
R502	0613952Q45	RES,MF,68OHM,5%,.0625W,SM, 0402,200PPM/CEL,PB-FREE
R503	0613952R10	RES,MF,24KOHM,5%,.0625W,SM ,0402,200PPM/CEL,PB-FREE
R504	0613952Q85	RES,MF,3.3KOHM,5%,.0625W,S M,0402,200PPM/CEL,PB-FREE
R505	0613952R31	RES,MF,180KOHM,5%,.0625W,S M,0402,200PPM/CEL,PB-FREE
R506	0613952Q53	RES,MF,150OHM,5%,.0625W,SM, 0402,200PPM/CEL,PB-FREE
R507	0613952Q83	RES,MF,2.7KOHM,5%,.0625W,S M,0402,200PPM/CEL,PB-FREE
R508	0613952Q41	RES,MF,47OHM,5%,.0625W,SM, 0402,200PPM/CEL,PB-FREE
R509	0613952Q25	RES,MF,10OHM,5%,.0625W,SM, 0402,200PPM/CEL,PB-FREE
R511	0613952Q13	RES,MF,3.3OHM,5%,.0625W,SM, 0402,200PPM/CEL,PB-FREE
R512	NOT PLACED	–

Ref. Des.	Part Number	Description
R597	0613952R66	RES,MF,0OHM,5%,.0625W,SM,0402,PB-FREE
R601	0613952Q41	RES,MF,47OHM,5%,.0625W,SM,0402,200PPM/CEL,PB-FREE
R602	0613952Q63	RES,MF,390OHM,5%,.0625W,SM,0402,200PPM/CEL,PB-FREE
R603	0613952R25	RES,MF,100KOHM,5%,.0625W,SM,0402,200PPM/CEL,PB-FREE
R604	0613952Q63	RES,MF,390OHM,5%,.0625W,SM,0402,200PPM/CEL,PB-FREE
R605	0613952R01	RES,MF,10KOHM,5%,.0625W,SM,0402,200PPM/CEL,PB-FREE
R606	0613952R01	RES,MF,10KOHM,5%,.0625W,SM,0402,200PPM/CEL,PB-FREE
R607	0613952R25	RES,MF,100KOHM,5%,.0625W,SM,0402,200PPM/CEL,PB-FREE
R608	0613952R01	RES,MF,10KOHM,5%,.0625W,SM,0402,200PPM/CEL,PB-FREE
R609	0613952Q81	RES,MF,2.2KOHM,5%,.0625W,SM,0402,200PPM/CEL,PB-FREE
R610	0613952R25	RES,MF,100KOHM,5%,.0625W,SM,0402,200PPM/CEL,PB-FREE
R611	0613952R01	RES,MF,10KOHM,5%,.0625W,SM,0402,200PPM/CEL,PB-FREE
R612	0613952Q94	RES,MF,7.5KOHM,5%,.0625W,SM,0402,200PPM/CEL,PB-FREE
R613	0613952Q82	RES,MF,2.4KOHM,5%,.0625W,SM,0402,200PPM/CEL,PB-FREE
R614	0613952R66	RES,MF,0OHM,5%,.0625W,SM,0402,PB-FREE
R615	NOT PLACED	–
R616	NOT PLACED	–
R617	NOT PLACED	–
R618	NOT PLACED	–
R619	NOT PLACED	–
R620	NOT PLACED	–
R621	NOT PLACED	–
R623	NOT PLACED	–
R624	NOT PLACED	–

Ref. Des.	Part Number	Description
R698	0613952R66	RES,MF,0OHM,5%,.0625W,SM,0402,PB-FREE
R699	0613952R66	RES,MF,0OHM,5%,.0625W,SM,0402,PB-FREE
R701	0613952Q49	RES,MF,100OHM,5%,.0625W,SM,0402,200PPM/CEL,PB-FREE
R702	0613952R66	RES,MF,0OHM,5%,.0625W,SM,0402,PB-FREE
R703	0613952Q42	RES,MF,51OHM,5%,.0625W,SM,0402,200PPM/CEL,PB-FREE
R704	0613952Q42	RES,MF,51OHM,5%,.0625W,SM,0402,200PPM/CEL,PB-FREE
R705	0613952Q25	RES,MF,10OHM,5%,.0625W,SM,0402,200PPM/CEL,PB-FREE
R706	0613952R66	RES,MF,0OHM,5%,.0625W,SM,0402,PB-FREE
R707	0613952R66	RES,MF,0OHM,5%,.0625W,SM,0402,PB-FREE
R708	0613952Q49	RES,MF,100OHM,5%,.0625W,SM,0402,200PPM/CEL,PB-FREE
R709	0613952Q45	RES,MF,68OHM,5%,.0625W,SM,0402,200PPM/CEL,PB-FREE
R710	0613952Q56	RES,MF,200OHM,5%,.0625W,SM,0402,200PPM/CEL,PB-FREE
R711	0613952Q45	RES,MF,68OHM,5%,.0625W,SM,0402,200PPM/CEL,PB-FREE
R712	0613952Q67	RES,MF,560OHM,5%,.0625W,SM,0402,200PPM/CEL,PB-FREE
R713	0613952Q25	RES,MF,10OHM,5%,.0625W,SM,0402,200PPM/CEL,PB-FREE
R714	0613952Q67	RES,MF,560OHM,5%,.0625W,SM,0402,200PPM/CEL,PB-FREE
R721	0613952R01	RES,MF,10KOHM,5%,.0625W,SM,0402,200PPM/CEL,PB-FREE
R729	0613952R09	RES,MF,22KOHM,5%,.0625W,SM,0402,200PPM/CEL,PB-FREE
R743	0613952R17	RES,MF,47KOHM,5%,.0625W,SM,0402,200PPM/CEL,PB-FREE
R745	0613952R09	RES,MF,22KOHM,5%,.0625W,SM,0402,200PPM/CEL,PB-FREE

Ref. Des.	Part Number	Description
R751	0613952Q59	RES,MF,270OHM,5%,.0625W,SM,0402,200PPM/CEL,PB-FREE
R752	0613952Q91	RES,MF,5.6KOHM,5%,.0625W,SM,0402,200PPM/CEL,PB-FREE
R753	NOT PLACED	–
R754	0613952Q91	RES,MF,5.6KOHM,5%,.0625W,SM,0402,200PPM/CEL,PB-FREE
R755	0613952R15	RES,MF,39KOHM,5%,.0625W,SM,0402,200PPM/CEL,PB-FREE
R759	0613952Q69	RES,MF,680OHM,5%,.0625W,SM,0402,200PPM/CEL,PB-FREE
R761	0613952Q57	RES,MF,220OHM,5%,.0625W,SM,0402,200PPM/CEL,PB-FREE
R762	0613952R02	RES,MF,11KOHM,5%,.0625W,SM,0402,200PPM/CEL,PB-FREE
R764	0613952Q75	RES,MF,1.2KOHM,5%,.0625W,SM,0402,200PPM/CEL,PB-FREE
R767	0613952Q45	RES,MF,68OHM,5%,.0625W,SM,0402,200PPM/CEL,PB-FREE
R772	0613952Q37	RES,MF,33OHM,5%,.0625W,SM,0402,200PPM/CEL,PB-FREE
R773	0613952Q91	RES,MF,5.6KOHM,5%,.0625W,SM,0402,200PPM/CEL,PB-FREE
R776	0613952Q39	RES,MF,39OHM,5%,.0625W,SM,0402,200PPM/CEL,PB-FREE
R778	0613952Q55	RES,MF,180OHM,5%,.0625W,SM,0402,200PPM/CEL,PB-FREE
R807	0613952R09	RES,MF,22KOHM,5%,.0625W,SM,0402,200PPM/CEL,PB-FREE
R808	0613952R23	RES,MF,82KOHM,5%,.0625W,SM,0402,200PPM/CEL,PB-FREE
R809	0613952Q91	RES,MF,5.6KOHM,5%,.0625W,SM,0402,200PPM/CEL,PB-FREE
R811	0613952Q39	RES,MF,39OHM,5%,.0625W,SM,0402,200PPM/CEL,PB-FREE
R812	0613952Q47	RES,MF,82OHM,5%,.0625W,SM,0402,200PPM/CEL,PB-FREE
R813	0613952Q69	RES,MF,680OHM,5%,.0625W,SM,0402,200PPM/CEL,PB-FREE
R815	0613952Q34	RES,MF,24OHM,5%,.0625W,SM,0402,200PPM/CEL,PB-FREE

Ref. Des.	Part Number	Description
R818	0613952Q23	RES,MF,8.2OHM,5%,.0625W,SM,0402,200PPM/CEL,PB-FREE
R819	0613952Q59	RES,MF,270OHM,5%,.0625W,SM,0402,200PPM/CEL,PB-FREE
R822	0613952R08	RES,MF,20KOHM,5%,.0625W,SM,0402,200PPM/CEL,PB-FREE
R823	0613952R19	RES,MF,56KOHM,5%,.0625W,SM,0402,200PPM/CEL,PB-FREE
R827	0613952Q92	RES,MF,6.2KOHM,5%,.0625W,SM,0402,200PPM/CEL,PB-FREE
R832	0613952Q29	RES,MF,15OHM,5%,.0625W,SM,0402,200PPM/CEL,PB-FREE
R833	0613952Q49	RES,MF,100OHM,5%,.0625W,SM,0402,200PPM/CEL,PB-FREE
R840	0613952Q29	RES,MF,15OHM,5%,.0625W,SM,0402,200PPM/CEL,PB-FREE
R848	0613952Q29	RES,MF,15OHM,5%,.0625W,SM,0402,200PPM/CEL,PB-FREE
R849	0613952Q67	RES,MF,560OHM,5%,.0625W,SM,0402,200PPM/CEL,PB-FREE
R1001	0613952R13	RES,MF,33KOHM,5%,.0625W,SM,0402,200PPM/CEL,PB-FREE
R1002	0613952R17	RES,MF,47KOHM,5%,.0625W,SM,0402,200PPM/CEL,PB-FREE
R1003	0613952R01	RES,MF,10KOHM,5%,.0625W,SM,0402,200PPM/CEL,PB-FREE
R1004	0613952R12	RES,MF,30KOHM,5%,.0625W,SM,0402,200PPM/CEL,PB-FREE
R1005	0613952Q73	RES,MF,1KOHM,5%,.0625W,SM,0402,200PPM/CEL,PB-FREE
R1006	0613952R66	RES,MF,0OHM,5%,.0625W,SM,0402,PB-FREE
R1101	0613952R25	RES,MF,100KOHM,5%,.0625W,SM,0402,200PPM/CEL,PB-FREE
R1102	0613952R25	RES,MF,100KOHM,5%,.0625W,SM,0402,200PPM/CEL,PB-FREE
R1103	06009259001	RES,SHUNT,.02OHM,.25W,SMD,LOW RESISTANCE THK FLM RES
R1104	0613952Q49	RES,MF,100OHM,5%,.0625W,SM,0402,200PPM/CEL,PB-FREE

Ref. Des.	Part Number	Description	Ref. Des.	Part Number	Description	Ref. Des.	Part Number	Description	Ref. Des.	Part Number	Description
R1105	0613952Q49	RES,MF,100OHM,5%,.0625W,SM,0402,200PPM/CEL,PB-FREE	R1138	0613952R25	RES,MF,100KOHM,5%,.0625W,SM,0402,200PPM/CEL,PB-FREE	R1168	0613952Q49	RES,MF,100OHM,5%,.0625W,SM,0402,200PPM/CEL,PB-FREE	R1604	0613952R13	RES,MF,33KOHM,5%,.0625W,SM,0402,200PPM/CEL,PB-FREE
R1106	0613952Q21	RES,MF,6.8OHM,5%,.0625W,SM,0402,200PPM/CEL,PB-FREE	R1139	0613952R25	RES,MF,100KOHM,5%,.0625W,SM,0402,200PPM/CEL,PB-FREE	R1169	0613952P52	RES,MF,340KOHM,1%,.0625W,SM,0402,200PPM/CEL,PB-FREE	R1605	0613952Q73	RES,MF,1KOHM,5%,.0625W,SM,0402,200PPM/CEL,PB-FREE
R1107	0613952Q45	RES,MF,68OHM,5%,.0625W,SM,0402,200PPM/CEL,PB-FREE	R1140	0613952R25	RES,MF,100KOHM,5%,.0625W,SM,0402,200PPM/CEL,PB-FREE	R1170	0613952N88	RES,MF,80.6KOHM,1%,.0625W,SM,0402,200PPM/CEL,PB-FREE	R1606	0613952H61	RES,MF,330OHM,5%,.1W,SM,0603,200PPM/CEL,PB-FREE
R1108	0613952R23	RES,MF,82KOHM,5%,.0625W,SM,0402,200PPM/CEL,PB-FREE	R1141	0613952R42	RES,MF,510KOHM,5%,.0625W,SM,0402,200PPM/CEL,PB-FREE	R1171	0613952R66	RES,MF,0OHM,5%,.0625W,SM,0402,PB-FREE	R1606	NOT PLACED	–
R1110	0613952R01	RES,MF,10KOHM,5%,.0625W,SM,0402,200PPM/CEL,PB-FREE	R1142	0613952R25	RES,MF,100KOHM,5%,.0625W,SM,0402,200PPM/CEL,PB-FREE	R1172	0613952Q89	RES,MF,4.7KOHM,5%,.0625W,SM,0402,200PPM/CEL,PB-FREE	R1801	0685524Y01	RES,0OHM
R1112	NOT PLACED	–	R1143	0613952R25	RES,MF,100KOHM,5%,.0625W,SM,0402,200PPM/CEL,PB-FREE	R1174	0613952R01	RES,MF,10KOHM,5%,.0625W,SM,0402,200PPM/CEL,PB-FREE	R2006	0613952R01	RES,MF,10KOHM,5%,.0625W,SM,0402,200PPM/CEL,PB-FREE
R1114	0613952Q49	RES,MF,100OHM,5%,.0625W,SM,0402,200PPM/CEL,PB-FREE	R1144	0613952R25	RES,MF,100KOHM,5%,.0625W,SM,0402,200PPM/CEL,PB-FREE	R1175	0613952R66	RES,MF,0OHM,5%,.0625W,SM,0402,PB-FREE	R2007	0613952R01	RES,MF,10KOHM,5%,.0625W,SM,0402,200PPM/CEL,PB-FREE
R1115	0613952Q49	RES,MF,100OHM,5%,.0625W,SM,0402,200PPM/CEL,PB-FREE	R1145	0613952R25	RES,MF,100KOHM,5%,.0625W,SM,0402,200PPM/CEL,PB-FREE	R1176	0613952Q73	RES,MF,1KOHM,5%,.0625W,SM,0402,200PPM/CEL,PB-FREE	R2008	0613952R01	RES,MF,10KOHM,5%,.0625W,SM,0402,200PPM/CEL,PB-FREE
R1116	0613952R01	RES,MF,10KOHM,5%,.0625W,SM,0402,200PPM/CEL,PB-FREE	R1146	0613952R25	RES,MF,100KOHM,5%,.0625W,SM,0402,200PPM/CEL,PB-FREE	R1177	0613952R66	RES,MF,0OHM,5%,.0625W,SM,0402,PB-FREE	R2009	0613952R01	RES,MF,10KOHM,5%,.0625W,SM,0402,200PPM/CEL,PB-FREE
R1117	0613952R22	RES,MF,75KOHM,5%,.0625W,SM,0402,200PPM/CEL,PB-FREE	R1151	0613952R05	RES,MF,15KOHM,5%,.0625W,SM,0402,200PPM/CEL,PB-FREE	R1178	0613952R01	RES,MF,10KOHM,5%,.0625W,SM,0402,200PPM/CEL,PB-FREE	R2010	0613952Q73	RES,MF,1KOHM,5%,.0625W,SM,0402,200PPM/CEL,PB-FREE
R1121	0613952R12	RES,MF,30KOHM,5%,.0625W,SM,0402,200PPM/CEL,PB-FREE	R1152	0613952R01	RES,MF,10KOHM,5%,.0625W,SM,0402,200PPM/CEL,PB-FREE	R1179	0613952R66	RES,MF,0OHM,5%,.0625W,SM,0402,PB-FREE	R2011	0613952Q73	RES,MF,1KOHM,5%,.0625W,SM,0402,200PPM/CEL,PB-FREE
R1122	0613952R22	RES,MF,75KOHM,5%,.0625W,SM,0402,200PPM/CEL,PB-FREE	R1154	0613952R01	RES,MF,10KOHM,5%,.0625W,SM,0402,200PPM/CEL,PB-FREE	R1180	0613952R66	RES,MF,0OHM,5%,.0625W,SM,0402,PB-FREE	R2021	0613952R22	RES,MF,75KOHM,5%,.0625W,SM,0402,200PPM/CEL,PB-FREE
R1124	0613952Q42	RES,MF,51OHM,5%,.0625W,SM,0402,200PPM/CEL,PB-FREE	R1158	NOT PLACED	–	R1181	NOT PLACED	–	R2022	0613952R27	RES,MF,120KOHM,5%,.0625W,SM,0402,200PPM/CEL,PB-FREE
R1125	0613952R17	RES,MF,47KOHM,5%,.0625W,SM,0402,200PPM/CEL,PB-FREE	R1160	0613952R03	RES,MF,12KOHM,5%,.0625W,SM,0402,200PPM/CEL,PB-FREE	R1182	0613952R01	RES,MF,10KOHM,5%,.0625W,SM,0402,200PPM/CEL,PB-FREE	R2023	0613952R01	RES,MF,10KOHM,5%,.0625W,SM,0402,200PPM/CEL,PB-FREE
R1126	0613952R08	RES,MF,20KOHM,5%,.0625W,SM,0402,200PPM/CEL,PB-FREE	R1161	0613952R01	RES,MF,10KOHM,5%,.0625W,SM,0402,200PPM/CEL,PB-FREE	R1183	0613952Q73	RES,MF,1KOHM,5%,.0625W,SM,0402,200PPM/CEL,PB-FREE	R2024	0613952Q37	RES,MF,33OHM,5%,.0625W,SM,0402,200PPM/CEL,PB-FREE
R1127	0613952R08	RES,MF,20KOHM,5%,.0625W,SM,0402,200PPM/CEL,PB-FREE	R1162	0613952R29	RES,MF,150KOHM,5%,.0625W,SM,0402,200PPM/CEL,PB-FREE	R1184	0613952Q81	RES,MF,2.2KOHM,5%,.0625W,SM,0402,200PPM/CEL,PB-FREE	R2025	0613952Q11	RES,MF,2.7OHM,5%,.0625W,SM,0402,200PPM/CEL,PB-FREE
R1128	0613952R01	RES,MF,10KOHM,5%,.0625W,SM,0402,200PPM/CEL,PB-FREE	R1163	0613952R01	RES,MF,10KOHM,5%,.0625W,SM,0402,200PPM/CEL,PB-FREE	R1304	NOT PLACED	–	R2035	0613952Q75	RES,MF,1.2KOHM,5%,.0625W,SM,0402,200PPM/CEL,PB-FREE
R1129	NOT PLACED	–	R1164	0613952R01	RES,MF,10KOHM,5%,.0625W,SM,0402,200PPM/CEL,PB-FREE	R1307	0613952Q73	RES,MF,1KOHM,5%,.0625W,SM,0402,200PPM/CEL,PB-FREE	SH1	2675871B01	SHLD,STL,SN PLT,SHIELD, FGU
R1130	NOT PLACED	–	R1165	0613952Q56	RES,MF,200OHM,5%,.0625W,SM,0402,200PPM/CEL,PB-FREE	R1601	0613952Q96	RES,MF,9.1KOHM,5%,.0625W,SM,0402,200PPM/CEL,PB-FREE	SH2	2675872B01	SHLD,STL,SN PLT,SHIELD, XTAL
R1135	0613952R66	RES,MF,0OHM,5%,.0625W,SM,0402,PB-FREE	R1166	0613952Q56	RES,MF,200OHM,5%,.0625W,SM,0402,200PPM/CEL,PB-FREE	R1602	0613952R01	RES,MF,10KOHM,5%,.0625W,SM,0402,200PPM/CEL,PB-FREE	SH3	2675873B01	SHLD,STL,SN PLT,SHIELD, ABACUS
R1136	0613952R01	RES,MF,10KOHM,5%,.0625W,SM,0402,200PPM/CEL,PB-FREE	R1167	0613952R01	RES,MF,10KOHM,5%,.0625W,SM,0402,200PPM/CEL,PB-FREE	R1603	0613952R08	RES,MF,20KOHM,5%,.0625W,SM,0402,200PPM/CEL,PB-FREE	SH4	2675878B01	SHLD,STL,SN PLT,SHIELD, FRNT END
R1137	0613952R01	RES,MF,10KOHM,5%,.0625W,SM,0402,200PPM/CEL,PB-FREE							SH5	2675879B01	SHLD,STL,SN PLT,SHIELD, DRVR PA

Ref. Des.	Part Number	Description
U1143	5185941F56	IC,OP AMP,1PER PKG,RAIL-RAIL,SOIC,IC SNGL LV LP OP AMP
U1144	5171779H01	IC,ANLG SW,SC70,SC70-6, 1PER PKG,SPDT ANLG SW
U1145	5171779H01	IC,ANLG SW,SC70,SC70-6, 1PER PKG,SPDT ANLG SW
U1146	5109522E93	GATE,OR,SN74LVC1G32YZPR,1 PER PKG,SM,2 INPUT IN NANO PKG
U1147	5109522E94	GATE,AND,1PER PKG,SM,2 INPUT IN NANO PKG
U1148	5185941F56	IC,OP AMP,1PER PKG,RAIL-RAIL,SOIC,IC SNGL LV LP OP AMP
U1304	5105739X13	IC,AMP,SIGE,QFN,QFN,18DB,1.57GHZMIN,1.57GHZMAX,.9DB,SIGE GPS LO
U1601	5175143H01	IC,WIDE SPLY RANGE OP AMP
U1602	5115678H01	IC,RF AMPLIFIER,BGA,TSSOP16EP,30MHZMIN,941MHZ MAX,VHF/UHF/800
U2032	4885316E32	XSTR,BIP RF SML SGNL,SLCN,BFR380F,SM,SMT,6V,380W,80A,14MHZ,TR
VR101	4813977M29	DIODE,VREF,MBZ5250,SM,SOT-23,20V,.225W,ZEN
VR200	4813977M29	DIODE,VREF,MBZ5250,SM,SOT-23,20V,.225W,ZEN
VR601	4805656W87	DIODE,VCTR,@ 15V,1SV279,SOD-523/SC-79,SOD-523/SC-79
VR602	4805656W87	DIODE,VCTR,@ 15V,1SV279,SOD-523/SC-79,SOD-523/SC-79
VR2005	4815096H01	DIODE,VCTR,@ 10V,1SV305G,SM,VCTR DIODE 1SV305
VR2006	4815096H01	DIODE,VCTR,@ 10V,1SV305G,SM,VCTR DIODE 1SV305
VR2007	4815096H01	DIODE,VCTR,@ 10V,1SV305G,SM,VCTR DIODE 1SV305
VR2008	4815096H01	DIODE,VCTR,@ 10V,1SV305G,SM,VCTR DIODE 1SV305
VR2010	4815096H01	DIODE,VCTR,@ 10V,1SV305G,SM,VCTR DIODE 1SV305

Ref. Des.	Part Number	Description
VR2020	4815096H01	DIODE,VCTR,@ 10V,1SV305G,SM,VCTR DIODE 1SV305
Y701	4871886H01	OSC,TCXO,16.8MHZ,SM,16.8 MHZ VCTXO .8PPM
Y704	5164852H68	OSC,VOLTAGE CONTROLLED,411MHZ MAX,270MHZ MIN,SM,M9LX7WX2.5H,I
Y705	5164852H66	OSC,VOLTAGE CONTROLLED,520MHZ MAX,380MHZ MIN,SM,M9LX7WX2.5H,I
Y706	5164852H65	OSC,VOLTAGE CONTROLLED,886MHZ MAX,741MHZ MIN,SM,M9LX7WX2.5H,I
Y707	5164852H67	OSC,VOLTAGE CONTROLLED,824MHZ MAX,245MHZ MIN,SM,M9LX7WX2.5H,I

MNUS4000E UHF1 / 700–800 MHz Transceiver (RF) Board Parts List

Ref. Des.	Part Number	Description
C101	2113944A46	CAP,CHIP,330PF,+5%,-5%,50V-DC,0402,C0G,-55DEG CMIN,125DEG CMAX
C200	2113945B02	CAP,CHIP,.01UF,+10%,-10%,25V-DC,0402,X7R,-55DEG CMIN,125DEG CMA
C201	2188468Y01	CAP,CHIP,1UF,+10,-10,25V-DC,0805,X7R
C202	2188468Y01	CAP,CHIP,1UF,+10,-10,25V-DC,0805,X7R
C203	2188468Y01	CAP,CHIP,1UF,+10,-10,25V-DC,0805,X7R
C204	2113955D35	CAP,FXD,4.7UF,+10%,-10%,16V-DC,1206,X7R,-55DEG CMIN,125DEG CMAX
C205	2113955D35	CAP,FXD,4.7UF,+10%,-10%,16V-DC,1206,X7R,-55DEG CMIN,125DEG CMAX
C206	2113945B02	CAP,CHIP,.01UF,+10%,-10%,25V-DC,0402,X7R,-55DEG CMIN,125DEG CMA
C207	2113956B91	CAP,FXD,1UF,+10%,-10%,16V-DC,0603,X5R,-55DEG CMIN,85DEG CMAX,PB
C208	2113956B91	CAP,FXD,1UF,+10%,-10%,16V-DC,0603,X5R,-55DEG CMIN,85DEG CMAX,PB
C209	2113956B91	CAP,FXD,1UF,+10%,-10%,16V-DC,0603,X5R,-55DEG CMIN,85DEG CMAX,PB
C210	2113956B91	CAP,FXD,1UF,+10%,-10%,16V-DC,0603,X5R,-55DEG CMIN,85DEG CMAX,PB
C212	2113946D07	CAP,CHIP,4.7UF,+10%,-10%,6.3V-DC,0603,X5R,-55DEG CMIN,85DEG CMA
C213	2113944A46	CAP,CHIP,330PF,+5%,-5%,50V-DC,0402,C0G,-55DEG CMIN,125DEG CMAX
C214	2113944A31	CAP,CHIP,33PF,+5%,-5%,50V-DC,0402,C0G,-55DEG CMIN,125DEG CMAX,P

Ref. Des.	Part Number	Description
C215	2113944A46	CAP,CHIP,330PF,+5%,-5%,50V-DC,0402,C0G,-55DEG CMIN,125DEG CMAX
C216	2113944A31	CAP,CHIP,33PF,+5%,-5%,50V-DC,0402,C0G,-55DEG CMIN,125DEG CMAX,P
C217	2113956B91	CAP,FXD,1UF,+10%,-10%,16V-DC,0603,X5R,-55DEG CMIN,85DEG CMAX,PB
C402	2113944A31	CAP,CHIP,33PF,+5%,-5%,50V-DC,0402,C0G,-55DEG CMIN,125DEG CMAX,P
C404	2113944A31	CAP,CHIP,33PF,+5%,-5%,50V-DC,0402,C0G,-55DEG CMIN,125DEG CMAX,P
C405	2113944A31	CAP,CHIP,33PF,+5%,-5%,50V-DC,0402,C0G,-55DEG CMIN,125DEG CMAX,P
C406	2113944A31	CAP,CHIP,33PF,+5%,-5%,50V-DC,0402,C0G,-55DEG CMIN,125DEG CMAX,P
C407	2113944A31	CAP,CHIP,33PF,+5%,-5%,50V-DC,0402,C0G,-55DEG CMIN,125DEG CMAX,P
C408	0613952R66	RES,MF,0OHM,5%,.0625W,SM,0402,PB-FREE
C409	0613952R66	RES,MF,0OHM,5%,.0625W,SM,0402,PB-FREE
C410	0613952R66	RES,MF,0OHM,5%,.0625W,SM,0402,PB-FREE
C411	0613952R66	RES,MF,0OHM,5%,.0625W,SM,0402,PB-FREE
C412	2113944A27	CAP,CHIP,15PF,+5%,-5%,50V-DC,0402,C0G,-55DEG CMIN,125DEG CMAX,P
C413	2113944A33	CAP,CHIP,47PF,+5%,-5%,50V-DC,0402,C0G,-55DEG CMIN,125DEG CMAX,P
C414	0613952R66	RES,MF,0OHM,5%,.0625W,SM,0402,PB-FREE
C415	0613952R66	RES,MF,0OHM,5%,.0625W,SM,0402,PB-FREE

Ref. Des.	Part Number	Description	Ref. Des.	Part Number	Description	Ref. Des.	Part Number	Description	Ref. Des.	Part Number	Description
C416	2113944A31	CAP,CHIP,33PF,+5%,-5%,50V-DC,0402,C0G,-55DEG CMIN,125DEG CMAX,P	C432	2113944A12	CAP,CHIP,3PF,.25PF+/-,50V-DC,0402,C0G,-55DEG CMIN,125DEG CMAX	C514	2113944A84	CAP,FXD,43PF,+5%,-5%,50V-DC,0402,C0G,-55DEG CMIN,125DEG CMAX,PB	C529	2113944A40	CAP,CHIP,100PF,+5%,-5%,50V-DC,0402,C0G,-55DEG CMIN,125DEG CMAX
C417	2113944A31	CAP,CHIP,33PF,+5%,-5%,50V-DC,0402,C0G,-55DEG CMIN,125DEG CMAX,P	C433	2113944A61	CAP,FXD,.5PF,.25PF+/-,50V-DC,0402,C0G,-55DEG CMIN,125DEG CMAX	C515	2113944A21	CAP,CHIP,6.8PF,.5PF+/-,50V-DC,0402,C0G,-55DEG CMIN,125DEG CMAX	C601	2113945B02	CAP,CHIP,.01UF,+10%,-10%,25V-DC,0402,X7R,-55DEG CMIN,125DEG CMA
C418	2113944A31	CAP,CHIP,33PF,+5%,-5%,50V-DC,0402,C0G,-55DEG CMIN,125DEG CMAX,P	C434	2113946D07	CAP,CHIP,4.7UF,+10%,-10%,6.3V-DC,0603,X5R,-55DEG CMIN,85DEG CMA	C516	2113944A11	CAP,CHIP,2.7PF,.25PF+/-,50V-DC,0402,C0G,-55DEG CMIN,125DEG CMA	C602	2113945B02	CAP,CHIP,.01UF,+10%,-10%,25V-DC,0402,X7R,-55DEG CMIN,125DEG CMA
C419	2113944A31	CAP,CHIP,33PF,+5%,-5%,50V-DC,0402,C0G,-55DEG CMIN,125DEG CMAX,P	C501	2115153H41	CAP,FXD,22PF,+1%,-1%,50V-DC,0402,C0G	C517	2113946B04	CAP,CHIP,.1UF,+10%,-10%,10V-DC,0402,X5R,-55DEG CMIN,85DEG CMAX	C603	2113945B02	CAP,CHIP,.01UF,+10%,-10%,25V-DC,0402,X7R,-55DEG CMIN,125DEG CMA
C421	2113946D07	CAP,CHIP,4.7UF,+10%,-10%,6.3V-DC,0603,X5R,-55DEG CMIN,85DEG CMA	C502	2115153H28	CAP,CER CHIP,4PF,.1PF+/-,+1%,-1%,50V-DC,0402,C0G	C518	2113945A09	CAP,CHIP,1000PF,+10%,-10%,50V-DC,0402,X7R,-55DEG CMIN,125DEG CM	C604	2113945B02	CAP,CHIP,.01UF,+10%,-10%,25V-DC,0402,X7R,-55DEG CMIN,125DEG CMA
C422	2113944A31	CAP,CHIP,33PF,+5%,-5%,50V-DC,0402,C0G,-55DEG CMIN,125DEG CMAX,P	C503	2113944V13	CAP,FXD,2.7PF,.1PF+/-,50V-DC,0402,C0G,-55DEG CMIN,125DEG CMAX	C519	2113944A28	CAP,CHIP,18PF,+5%,-5%,50V-DC,0402,C0G,-55DEG CMIN,125DEG CMAX,P	C605	2113944A15	CAP,CHIP,3.9PF,.25PF+/-,50V-DC,0402,C0G,-55DEG CMIN,125DEG CMA
C423	2113944A21	CAP,CHIP,6.8PF,.5PF+/-,50V-DC,0402,C0G,-55DEG CMIN,125DEG CMAX	C504	2113944A40	CAP,CHIP,100PF,+5%,-5%,50V-DC,0402,C0G,-55DEG CMIN,125DEG CMAX	C520	2113945A09	CAP,CHIP,1000PF,+10%,-10%,50V-DC,0402,X7R,-55DEG CMIN,125DEG CM	C606	2113946B04	CAP,CHIP,.1UF,+10%,-10%,10V-DC,0402,X5R,-55DEG CMIN,85DEG CMAX
C424	2113944A31	CAP,CHIP,33PF,+5%,-5%,50V-DC,0402,C0G,-55DEG CMIN,125DEG CMAX,P	C505	2113946B04	CAP,CHIP,.1UF,+10%,-10%,10V-DC,0402,X5R,-55DEG CMIN,85DEG CMAX	C521	2113945A09	CAP,CHIP,1000PF,+10%,-10%,50V-DC,0402,X7R,-55DEG CMIN,125DEG CM	C607	2113944A40	CAP,CHIP,100PF,+5%,-5%,50V-DC,0402,C0G,-55DEG CMIN,125DEG CMAX
C425	2113944A12	CAP,CHIP,3PF,.25PF+/-,50V-DC,0402,C0G,-55DEG CMIN,125DEG CMAX	C506	2113946B04	CAP,CHIP,.1UF,+10%,-10%,10V-DC,0402,X5R,-55DEG CMIN,85DEG CMAX	C522	2113944A27	CAP,CHIP,15PF,+5%,-5%,50V-DC,0402,C0G,-55DEG CMIN,125DEG CMAX,P	C608	2113944A12	CAP,CHIP,3PF,.25PF+/-,50V-DC,0402,C0G,-55DEG CMIN,125DEG CMAX
C426	2113944A63	CAP,FXD,1PF,.25PF+/-,50V-DC,0402,C0G,-55DEG CMIN,125DEG CMAX,P	C507	2115153H41	CAP,FXD,22PF,+1%,-1%,50V-DC,0402,C0G	C523	2113944A48	CAP,CHIP,470PF,+5%,-5%,50V-DC,0402,C0G,-55DEG CMIN,125DEG CMAX	C609	2113944A30	CAP,CHIP,27PF,+5%,-5%,50V-DC,0402,C0G,-55DEG CMIN,125DEG CMAX,P
C427	2113946D07	CAP,CHIP,4.7UF,+10%,-10%,6.3V-DC,0603,X5R,-55DEG CMIN,85DEG CMA	C508	2113945A09	CAP,CHIP,1000PF,+10%,-10%,50V-DC,0402,X7R,-55DEG CMIN,125DEG CM	C524	2113944A30	CAP,CHIP,27PF,+5%,-5%,50V-DC,0402,C0G,-55DEG CMIN,125DEG CMAX,P	C610	2113944A40	CAP,CHIP,100PF,+5%,-5%,50V-DC,0402,C0G,-55DEG CMIN,125DEG CMAX
C428	2113946D07	CAP,CHIP,4.7UF,+10%,-10%,6.3V-DC,0603,X5R,-55DEG CMIN,85DEG CMA	C509	2113945A09	CAP,CHIP,1000PF,+10%,-10%,50V-DC,0402,X7R,-55DEG CMIN,125DEG CM	C525	2115153H03	CAP,CER CHIP,1PF,.1PF+/-,50V-DC,0402,C0G	C611	2113944A40	CAP,CHIP,100PF,+5%,-5%,50V-DC,0402,C0G,-55DEG CMIN,125DEG CMAX
C429	2113944A31	CAP,CHIP,33PF,+5%,-5%,50V-DC,0402,C0G,-55DEG CMIN,125DEG CMAX,P	C510	2113944A52	CAP,CHIP,1000PF,+5%,-5%,50V-DC,0402,C0G,-55DEG CMIN,125DEG CMAX	C526	2113944V13	CAP,FXD,2.7PF,.1PF+/-,50V-DC,0402,C0G,-55DEG CMIN,125DEG CMAX	C612	2113945B02	CAP,CHIP,.01UF,+10%,-10%,25V-DC,0402,X7R,-55DEG CMIN,125DEG CMA
C430	2113944A21	CAP,CHIP,6.8PF,.5PF+/-,50V-DC,0402,C0G,-55DEG CMIN,125DEG CMAX	C511	2113944A40	CAP,CHIP,100PF,+5%,-5%,50V-DC,0402,C0G,-55DEG CMIN,125DEG CMAX	C527	2113944V07	CAP,FXD,1.5PF,.1PF+/-,50V-DC,0402,C0G,-55DEG CMIN,125DEG CMAX	C613	2113944A40	CAP,CHIP,100PF,+5%,-5%,50V-DC,0402,C0G,-55DEG CMIN,125DEG CMAX
C431	2113944A31	CAP,CHIP,33PF,+5%,-5%,50V-DC,0402,C0G,-55DEG CMIN,125DEG CMAX,P	C512	2113944A31	CAP,CHIP,33PF,+5%,-5%,50V-DC,0402,C0G,-55DEG CMIN,125DEG CMAX,P	C528	2113944A40	CAP,CHIP,100PF,+5%,-5%,50V-DC,0402,C0G,-55DEG CMIN,125DEG CMAX	C614	2113945B02	CAP,CHIP,.01UF,+10%,-10%,25V-DC,0402,X7R,-55DEG CMIN,125DEG CMA
			C513	2113944A40	CAP,CHIP,100PF,+5%,-5%,50V-DC,0402,C0G,-55DEG CMIN,125DEG CMAX						

Ref. Des.	Part Number	Description	Ref. Des.	Part Number	Description	Ref. Des.	Part Number	Description	Ref. Des.	Part Number	Description
C615	2113944A42	CAP,CHIP,150PF,+5%,-5%,50V-DC,0402,C0G,-55DEG CMIN,125DEG CMAX	C630	2113946B04	CAP,CHIP,.1UF,+10%,-10%,10V-DC,0402,X5R,-55DEG CMIN,85DEG CMAX	C702	2113944A44	CAP,CHIP,220PF,+5%,-5%,50V-DC,0402,C0G,-55DEG CMIN,125DEG CMAX	C730	2113945C31	CAP,FXD,.1UF,+10%,-10%,50V-DC,0603,X7R,-55DEG CMIN,125DEG CMAX
C616	2113945A11	CAP,CHIP,2200PF,+10%,-10%,50V-DC,0402,X7R,-55DEG CMIN,125DEG CM	C631	2113944A27	CAP,CHIP,15PF,+5%,-5%,50V-DC,0402,C0G,-55DEG CMIN,125DEG CMAX,P	C704	2113944A35	CAP,CHIP,62PF,+5%,-5%,50V-DC,0402,C0G,-55DEG CMIN,125DEG CMAX,P	C731	2113945C31	CAP,FXD,.1UF,+10%,-10%,50V-DC,0603,X7R,-55DEG CMIN,125DEG CMAX
C617	2113946B04	CAP,CHIP,.1UF,+10%,-10%,10V-DC,0402,X5R,-55DEG CMIN,85DEG CMAX	C632	2113944A40	CAP,CHIP,100PF,+5%,-5%,50V-DC,0402,C0G,-55DEG CMIN,125DEG CMAX	C705	2113944A44	CAP,CHIP,220PF,+5%,-5%,50V-DC,0402,C0G,-55DEG CMIN,125DEG CMAX	C732	2113944A32	CAP,CHIP,39PF,+5%,-5%,50V-DC,0402,C0G,-55DEG CMIN,125DEG CMAX,P
C618	2113944A31	CAP,CHIP,33PF,+5%,-5%,50V-DC,0402,C0G,-55DEG CMIN,125DEG CMAX,P	C633	2113945B02	CAP,CHIP,.01UF,+10%,-10%,25V-DC,0402,X7R,-55DEG CMIN,125DEG CMA	C709	2113944A44	CAP,CHIP,220PF,+5%,-5%,50V-DC,0402,C0G,-55DEG CMIN,125DEG CMAX	C734	2113945C31	CAP,FXD,.1UF,+10%,-10%,50V-DC,0603,X7R,-55DEG CMIN,125DEG CMAX
C619	2113944A35	CAP,CHIP,62PF,+5%,-5%,50V-DC,0402,C0G,-55DEG CMIN,125DEG CMAX,P	C634	2113946B04	CAP,CHIP,.1UF,+10%,-10%,10V-DC,0402,X5R,-55DEG CMIN,85DEG CMAX	C710	2113944A49	CAP,CHIP,560PF,+5%,-5%,50V-DC,0402,C0G,-55DEG CMIN,125DEG CMAX	C736	2113945B02	CAP,CHIP,.01UF,+10%,-10%,25V-DC,0402,X7R,-55DEG CMIN,125DEG CMA
C620	2113946B04	CAP,CHIP,.1UF,+10%,-10%,10V-DC,0402,X5R,-55DEG CMIN,85DEG CMAX	C635	2113945B02	CAP,CHIP,.01UF,+10%,-10%,25V-DC,0402,X7R,-55DEG CMIN,125DEG CMA	C711	2113944A34	CAP,CHIP,56PF,+5%,-5%,50V-DC,0402,C0G,-55DEG CMIN,125DEG CMAX,P	C737	2113945C31	CAP,FXD,.1UF,+10%,-10%,50V-DC,0603,X7R,-55DEG CMIN,125DEG CMAX
C621	2113946B04	CAP,CHIP,.1UF,+10%,-10%,10V-DC,0402,X5R,-55DEG CMIN,85DEG CMAX	C636	2113946B04	CAP,CHIP,.1UF,+10%,-10%,10V-DC,0402,X5R,-55DEG CMIN,85DEG CMAX	C712	NOT PLACED	-	C739	2113944A17	CAP,CHIP,4.7PF,.25PF+/-,50V-DC,0402,C0G,-55DEG CMIN,125DEG CMA
C622	2113946C07	CAP,FXD,.33UF,+10%,-10%,10V-DC,0603,X5R,-55DEG CMIN,85DEG CMAX	C637	2113946B04	CAP,CHIP,.1UF,+10%,-10%,10V-DC,0402,X5R,-55DEG CMIN,85DEG CMAX	C715	2113945C31	CAP,FXD,.1UF,+10%,-10%,50V-DC,0603,X7R,-55DEG CMIN,125DEG CMAX	C742	2113945C31	CAP,FXD,.1UF,+10%,-10%,50V-DC,0603,X7R,-55DEG CMIN,125DEG CMAX
C623	2113945B02	CAP,CHIP,.01UF,+10%,-10%,25V-DC,0402,X7R,-55DEG CMIN,125DEG CMA	C638	2113945A12	CAP,CHIP,3300PF,+10%,-10%,50V-DC,0402,X7R,-55DEG CMIN,125DEG CM	C716	2113945C31	CAP,FXD,.1UF,+10%,-10%,50V-DC,0603,X7R,-55DEG CMIN,125DEG CMAX	C744	2113955D37	CAP,FXD,10UF,+10%,-10%,16V-DC,1206,X7R,-55DEG CMIN,125DEG CMAX
C624	2113946C07	CAP,FXD,.33UF,+10%,-10%,10V-DC,0603,X5R,-55DEG CMIN,85DEG CMAX	C639	2113945B02	CAP,CHIP,.01UF,+10%,-10%,25V-DC,0402,X7R,-55DEG CMIN,125DEG CMA	C717	2113945C31	CAP,FXD,.1UF,+10%,-10%,50V-DC,0603,X7R,-55DEG CMIN,125DEG CMAX	C747	2113944A44	CAP,CHIP,220PF,+5%,-5%,50V-DC,0402,C0G,-55DEG CMIN,125DEG CMAX
C625	2113944A28	CAP,CHIP,18PF,+5%,-5%,50V-DC,0402,C0G,-55DEG CMIN,125DEG CMAX,P	C640	2113946B04	CAP,CHIP,.1UF,+10%,-10%,10V-DC,0402,X5R,-55DEG CMIN,85DEG CMAX	C718	2113945C31	CAP,FXD,.1UF,+10%,-10%,50V-DC,0603,X7R,-55DEG CMIN,125DEG CMAX	C748	2113944A44	CAP,CHIP,220PF,+5%,-5%,50V-DC,0402,C0G,-55DEG CMIN,125DEG CMAX
C626	2113945A09	CAP,CHIP,1000PF,+10%,-10%,50V-DC,0402,X7R,-55DEG CMIN,125DEG CM	C641	2113944A31	CAP,CHIP,33PF,+5%,-5%,50V-DC,0402,C0G,-55DEG CMIN,125DEG CMAX,P	C719	2113945C31	CAP,FXD,.1UF,+10%,-10%,50V-DC,0603,X7R,-55DEG CMIN,125DEG CMAX	C749	2113945C31	CAP,FXD,.1UF,+10%,-10%,50V-DC,0603,X7R,-55DEG CMIN,125DEG CMAX
C627	2113945A09	CAP,CHIP,1000PF,+10%,-10%,50V-DC,0402,X7R,-55DEG CMIN,125DEG CM	C642	2113944A48	CAP,CHIP,470PF,+5%,-5%,50V-DC,0402,C0G,-55DEG CMIN,125DEG CMAX	C724	2113955D37	CAP,FXD,10UF,+10%,-10%,16V-DC,1206,X7R,-55DEG CMIN,125DEG CMAX	C750	2113945C31	CAP,FXD,.1UF,+10%,-10%,50V-DC,0603,X7R,-55DEG CMIN,125DEG CMAX
C628	2113945B02	CAP,CHIP,.01UF,+10%,-10%,25V-DC,0402,X7R,-55DEG CMIN,125DEG CMA	C643	2113944A48	CAP,CHIP,470PF,+5%,-5%,50V-DC,0402,C0G,-55DEG CMIN,125DEG CMAX	C725	2113945C31	CAP,FXD,.1UF,+10%,-10%,50V-DC,0603,X7R,-55DEG CMIN,125DEG CMAX	C752	2113944A43	CAP,CHIP,180PF,+5%,-5%,50V-DC,0402,C0G,-55DEG CMIN,125DEG CMAX
C629	2113946B04	CAP,CHIP,.1UF,+10%,-10%,10V-DC,0402,X5R,-55DEG CMIN,85DEG CMAX	C701	2113944A44	CAP,CHIP,220PF,+5%,-5%,50V-DC,0402,C0G,-55DEG CMIN,125DEG CMAX	C726	2113945C31	CAP,FXD,.1UF,+10%,-10%,50V-DC,0603,X7R,-55DEG CMIN,125DEG CMAX	C754	NOT PLACED	-

Ref. Des.	Part Number	Description	Ref. Des.	Part Number	Description	Ref. Des.	Part Number	Description	Ref. Des.	Part Number	Description
C756	2113955D37	CAP,FXD,10UF,+10%,-10%,16V-DC,1206,X7R,-55DEG CMIN,125DEG CMAX	C779	2113944A40	CAP,CHIP,100PF,+5%,-5%,50V-DC,0402,C0G,-55DEG CMIN,125DEG CMAX	C802	2113946B06	CAP,CHIP,22UF,+10%,-10%,10V-DC,0402,X5R,-55DEG CMIN,85DEG CMAX	C851	2113944A44	CAP,CHIP,220PF,+5%,-5%,50V-DC,0402,C0G,-55DEG CMIN,125DEG CMAX
C757	2113945C31	CAP,FXD,.1UF,+10%,-10%,50V-DC,0603,X7R,-55DEG CMIN,125DEG CMAX	C783	2113944C53	CAP,CHIP,1500PF,+5%,-5%,50V-DC,0603,C0G,-55DEG CMIN,125DEG CMAX	C803	2113944A29	CAP,CHIP,22PF,+5%,-5%,50V-DC,0402,C0G,-55DEG CMIN,125DEG CMAX,P	C1001	2113944M30	CAP,FXD,33PF,+2%,-2%,50V-DC,0603,C0G,-55DEG CMIN,125DEG CMAX,PB
C758	2113946B02	CAP,CHIP,.047UF,+10%,-10%,10V-DC,0402,X5R,-55DEG CMIN,85DEG CMA	C789	2113946B04	CAP,CHIP,.1UF,+10%,-10%,10V-DC,0402,X5R,-55DEG CMIN,85DEG CMAX	C804	2113944A40	CAP,CHIP,100PF,+5%,-5%,50V-DC,0402,C0G,-55DEG CMIN,125DEG CMAX	C1002	2113944C22	CAP,CHIP,4.7PF,.25PF+/-,50V-DC,0603,C0G,-55DEG CMIN,125DEG CMA
C759	2113945G95	CAP,FXD,.22UF,+10%,-10%,50V-DC,0805,X7R,-55DEG CMIN,125DEG CMAX	C790	2113946B04	CAP,CHIP,.1UF,+10%,-10%,10V-DC,0402,X5R,-55DEG CMIN,85DEG CMAX	C805	2113944A40	CAP,CHIP,100PF,+5%,-5%,50V-DC,0402,C0G,-55DEG CMIN,125DEG CMAX	C1003	2113945C02	CAP,CHIP,.01UF,+10%,-10%,50V-DC,0603,X7R,-55DEG CMIN,125DEG CMA
C760	2113944G97	CAP,FXD,.082UF,+5%,-5%,50V-DC,1206,C0G,-55DEG CMIN,125DEG CMAX	C791	2113946B04	CAP,CHIP,.1UF,+10%,-10%,10V-DC,0402,X5R,-55DEG CMIN,85DEG CMAX	C806	2113946B06	CAP,CHIP,22UF,+10%,-10%,10V-DC,0402,X5R,-55DEG CMIN,85DEG CMAX	C1004	2113944M30	CAP,FXD,33PF,+2%,-2%,50V-DC,0603,C0G,-55DEG CMIN,125DEG CMAX,PB
C762	2113945C26	CAP,FXD,.039UF,+10%,-10%,50V-DC,0603,X7R,-55DEG CMIN,125DEG CMA	C792	2113946B04	CAP,CHIP,.1UF,+10%,-10%,10V-DC,0402,X5R,-55DEG CMIN,85DEG CMAX	C810	2113944A44	CAP,CHIP,220PF,+5%,-5%,50V-DC,0402,C0G,-55DEG CMIN,125DEG CMAX	C1005	2113944M30	CAP,FXD,33PF,+2%,-2%,50V-DC,0603,C0G,-55DEG CMIN,125DEG CMAX,PB
C763	2113944G97	CAP,FXD,.082UF,+5%,-5%,50V-DC,1206,C0G,-55DEG CMIN,125DEG CMAX	C793	2113944A40	CAP,CHIP,100PF,+5%,-5%,50V-DC,0402,C0G,-55DEG CMIN,125DEG CMAX	C813	2113944A63	CAP,FXD,1PF,.25PF+/-,50V-DC,0402,C0G,-55DEG CMIN,125DEG CMAX,P	C1006	2113945C02	CAP,CHIP,.01UF,+10%,-10%,50V-DC,0603,X7R,-55DEG CMIN,125DEG CMA
C765	2113944G97	CAP,FXD,.082UF,+5%,-5%,50V-DC,1206,C0G,-55DEG CMIN,125DEG CMAX	C794	2113944A32	CAP,CHIP,39PF,+5%,-5%,50V-DC,0402,C0G,-55DEG CMIN,125DEG CMAX,P	C814	2113945A09	CAP,CHIP,1000PF,+10%,-10%,50V-DC,0402,X7R,-55DEG CMIN,125DEG CM	C1007	2113944M30	CAP,FXD,33PF,+2%,-2%,50V-DC,0603,C0G,-55DEG CMIN,125DEG CMAX,PB
C766	2113945C01	CAP,CHIP,6800PF,+10%,-10%,50V-DC,0603,X7R,-55DEG CMIN,125DEG CM	C795	2113944A40	CAP,CHIP,100PF,+5%,-5%,50V-DC,0402,C0G,-55DEG CMIN,125DEG CMAX	C816	2113944A31	CAP,CHIP,33PF,+5%,-5%,50V-DC,0402,C0G,-55DEG CMIN,125DEG CMAX,P	C1008	2113944M30	CAP,FXD,33PF,+2%,-2%,50V-DC,0603,C0G,-55DEG CMIN,125DEG CMAX,PB
C768	2113944G97	CAP,FXD,.082UF,+5%,-5%,50V-DC,1206,C0G,-55DEG CMIN,125DEG CMAX	C796	2113944A40	CAP,CHIP,100PF,+5%,-5%,50V-DC,0402,C0G,-55DEG CMIN,125DEG CMAX	C820	2113944A44	CAP,CHIP,220PF,+5%,-5%,50V-DC,0402,C0G,-55DEG CMIN,125DEG CMAX	C1009	2113944M30	CAP,FXD,33PF,+2%,-2%,50V-DC,0603,C0G,-55DEG CMIN,125DEG CMAX,PB
C769	2113945C20	CAP,FXD,.016UF,+10%,-10%,50V-DC,0603,X7R,-55DEG CMIN,125DEG CMA	C797	2113944A40	CAP,CHIP,100PF,+5%,-5%,50V-DC,0402,C0G,-55DEG CMIN,125DEG CMAX	C830	2113944A44	CAP,CHIP,220PF,+5%,-5%,50V-DC,0402,C0G,-55DEG CMIN,125DEG CMAX	C1010	2113945C02	CAP,CHIP,.01UF,+10%,-10%,50V-DC,0603,X7R,-55DEG CMIN,125DEG CMA
C770	2113944G97	CAP,FXD,.082UF,+5%,-5%,50V-DC,1206,C0G,-55DEG CMIN,125DEG CMAX	C798	2113945A09	CAP,CHIP,1000PF,+10%,-10%,50V-DC,0402,X7R,-55DEG CMIN,125DEG CM	C831	2113944A40	CAP,CHIP,100PF,+5%,-5%,50V-DC,0402,C0G,-55DEG CMIN,125DEG CMAX	C1013	2113944M21	CAP,FXD,13PF,+2%,-2%,50V-DC,0603,C0G,-55DEG CMIN,125DEG CMAX,PB
C771	2113944A40	CAP,CHIP,100PF,+5%,-5%,50V-DC,0402,C0G,-55DEG CMIN,125DEG CMAX	C799	2113944A40	CAP,CHIP,100PF,+5%,-5%,50V-DC,0402,C0G,-55DEG CMIN,125DEG CMAX	C836	2113944A33	CAP,CHIP,47PF,+5%,-5%,50V-DC,0402,C0G,-55DEG CMIN,125DEG CMAX,P	C1014	NOT PLACED	-
C775	2113945A09	CAP,CHIP,1000PF,+10%,-10%,50V-DC,0402,X7R,-55DEG CMIN,125DEG CM	C800	2113944A29	CAP,CHIP,22PF,+5%,-5%,50V-DC,0402,C0G,-55DEG CMIN,125DEG CMAX,P	C838	2113945A09	CAP,CHIP,1000PF,+10%,-10%,50V-DC,0402,X7R,-55DEG CMIN,125DEG CM	C1015	2113944M30	CAP,FXD,33PF,+2%,-2%,50V-DC,0603,C0G,-55DEG CMIN,125DEG CMAX,PB
C777	2113944A31	CAP,CHIP,33PF,+5%,-5%,50V-DC,0402,C0G,-55DEG CMIN,125DEG CMAX,P	C801	2113944A21	CAP,CHIP,6.8PF,.5PF+/-,50V-DC,0402,C0G,-55DEG CMIN,125DEG CMAX	C844	2113944A33	CAP,CHIP,47PF,+5%,-5%,50V-DC,0402,C0G,-55DEG CMIN,125DEG CMAX,P	C1018	2113944M30	CAP,FXD,33PF,+2%,-2%,50V-DC,0603,C0G,-55DEG CMIN,125DEG CMAX,PB

Ref. Des.	Part Number	Description	Ref. Des.	Part Number	Description	Ref. Des.	Part Number	Description	Ref. Des.	Part Number	Description
C1019	21009257001	CAP,CER,18PF,50V-DC,-55DEG CMIN,125DEG CMAX,0805 18 PF ACCU	C1110	2113944A40	CAP,CHIP,100PF,+5%,-5%,50V-DC,0402,C0G,-55DEG CMIN,125DEG CMAX	C1128	2113945B02	CAP,CHIP,.01UF,+10%,-10%,25V-DC,0402,X7R,-55DEG CMIN,125DEG CMA	C1303	2113944A26	CAP,CHIP,12PF,+5%,-5%,50V-DC,0402,C0G,-55DEG CMIN,125DEG CMAX,P
C1020	2113944C14	CAP,CHIP,2.2PF,.25PF+/-,50V-DC,0603,C0G,-55DEG CMIN,125DEG CMA	C1111	2113945Y02	CAP,FXD,.1UF,+10%,-10%,16V-DC,0402,X7R,-55DEG CMIN,125DEG CMAX	C1129	2113945B02	CAP,CHIP,.01UF,+10%,-10%,25V-DC,0402,X7R,-55DEG CMIN,125DEG CMA	C1304	2113945A09	CAP,CHIP,1000PF,+10%,-10%,50V-DC,0402,X7R,-55DEG CMIN,125DEG CM
C1021	2113944C23	CAP,CHIP,5.1PF,.5PF+/-,50V-DC,0603,C0G,-55DEG CMIN,125DEG CMAX	C1112	2113945B01	CAP,CHIP,6800PF,+10%,-10%,25V-DC,0402,X7R,-55DEG CMIN,125DEG CM	C1130	2113945B02	CAP,CHIP,.01UF,+10%,-10%,25V-DC,0402,X7R,-55DEG CMIN,125DEG CMA	C1305	2113944A30	CAP,CHIP,27PF,+5%,-5%,50V-DC,0402,C0G,-55DEG CMIN,125DEG CMAX,P
C1022	2113944M30	CAP,FXD,33PF,+2%,-2%,50V-DC,0603,C0G,-55DEG CMIN,125DEG CMAX,PB	C1113	2113945B02	CAP,CHIP,.01UF,+10%,-10%,25V-DC,0402,X7R,-55DEG CMIN,125DEG CMA	C1132	NOT PLACED	-	C1306	2113945B02	CAP,CHIP,.01UF,+10%,-10%,25V-DC,0402,X7R,-55DEG CMIN,125DEG CMA
C1023	2113944M24	CAP,FXD,18PF,+2%,-2%,50V-DC,0603,C0G,-55DEG CMIN,125DEG CMAX,PB	C1116	2113945Y02	CAP,FXD,.1UF,+10%,-10%,16V-DC,0402,X7R,-55DEG CMIN,125DEG CMAX	C1134	2113945B02	CAP,CHIP,.01UF,+10%,-10%,25V-DC,0402,X7R,-55DEG CMIN,125DEG CMA	C1307	2113944A26	CAP,CHIP,12PF,+5%,-5%,50V-DC,0402,C0G,-55DEG CMIN,125DEG CMAX,P
C1024	2113945A12	CAP,CHIP,3300PF,+10%,-10%,50V-DC,0402,X7R,-55DEG CMIN,125DEG CM	C1117	2113945A12	CAP,CHIP,3300PF,+10%,-10%,50V-DC,0402,X7R,-55DEG CMIN,125DEG CM	C1135	NOT PLACED	-	C1308	2113944A28	CAP,CHIP,18PF,+5%,-5%,50V-DC,0402,C0G,-55DEG CMIN,125DEG CMAX,P
C1025	2113945A12	CAP,CHIP,3300PF,+10%,-10%,50V-DC,0402,X7R,-55DEG CMIN,125DEG CM	C1118	2113945B02	CAP,CHIP,.01UF,+10%,-10%,25V-DC,0402,X7R,-55DEG CMIN,125DEG CMA	C1137	2113945B04	CAP,FXD,.022UF,+10%,-10%,25V-DC,0402,X7R,-55DEG CMIN,125DEG CMA	C1309	2175389H01	CAP,.5PF,CAP,.5PF,CHIP,0402,CERAMIC,50V
C1101	2113945B02	CAP,CHIP,.01UF,+10%,-10%,25V-DC,0402,X7R,-55DEG CMIN,125DEG CMA	C1119	2113945B02	CAP,CHIP,.01UF,+10%,-10%,25V-DC,0402,X7R,-55DEG CMIN,125DEG CMA	C1138	2113945B04	CAP,FXD,.022UF,+10%,-10%,25V-DC,0402,X7R,-55DEG CMIN,125DEG CMA	C1310	2113944A17	CAP,CHIP,4.7PF,.25PF+/-,50V-DC,0402,C0G,-55DEG CMIN,125DEG CMA
C1102	2188468Y01	CAP,CHIP,1UF,+10,-10,25V-DC,0805,X7R	C1120	2113945B02	CAP,CHIP,.01UF,+10%,-10%,25V-DC,0402,X7R,-55DEG CMIN,125DEG CMA	C1139	2113944A25	CAP,CHIP,10PF,+5%,-5%,50V-DC,0402,C0G,-55DEG CMIN,125DEG CMAX,P	C1411	2113944C36	CAP,CHIP,33PF,+5%,-5%,50V-DC,0603,C0G,-55DEG CMIN,125DEG CMAX,P
C1103	2113945B02	CAP,CHIP,.01UF,+10%,-10%,25V-DC,0402,X7R,-55DEG CMIN,125DEG CMA	C1122	2175390H01	CAP,CER,2.2PF,50V-DC,C0G,CAP,2.2PF,0402,CERAMIC,50V	C1140	2113945A13	CAP,CHIP,4700PF,+10%,-10%,50V-DC,0402,X7R,-55DEG CMIN,125DEG CM	C1413	2113944C62	CAP,FXD,.75PF,.1PF+/-,50V-DC,0603,C0G,-55DEG CMIN,125DEG CMAX
C1104	NOT PLACED	-	C1123	2113945B02	CAP,CHIP,.01UF,+10%,-10%,25V-DC,0402,X7R,-55DEG CMIN,125DEG CMA	C1141	2113945Y02	CAP,FXD,.1UF,+10%,-10%,16V-DC,0402,X7R,-55DEG CMIN,125DEG CMAX	C1414	2113944C63	CAP,FXD,1PF,.1PF+/-,50V-DC,0603,C0G,-55DEG CMIN,125DEG CMAX,PB
C1105	2113944A19	CAP,CHIP,5.6PF,.5PF+/-,50V-DC,0402,C0G,-55DEG CMIN,125DEG CMAX	C1124	2113945A13	CAP,CHIP,4700PF,+10%,-10%,50V-DC,0402,X7R,-55DEG CMIN,125DEG CM	C1142	2113945A09	CAP,CHIP,1000PF,+10%,-10%,50V-DC,0402,X7R,-55DEG CMIN,125DEG CM	C1418	2113944C13	CAP,CHIP,2PF,.25PF+/-,50V-DC,0603,C0G,-55DEG CMIN,125DEG CMAX
C1106	2113945B02	CAP,CHIP,.01UF,+10%,-10%,25V-DC,0402,X7R,-55DEG CMIN,125DEG CMA	C1125	2113944A19	CAP,CHIP,5.6PF,.5PF+/-,50V-DC,0402,C0G,-55DEG CMIN,125DEG CMAX	C1149	2113944A40	CAP,CHIP,100PF,+5%,-5%,50V-DC,0402,C0G,-55DEG CMIN,125DEG CMAX	C1419	NOT PLACED	-
C1107	2113944A40	CAP,CHIP,100PF,+5%,-5%,50V-DC,0402,C0G,-55DEG CMIN,125DEG CMAX	C1126	2113945A09	CAP,CHIP,1000PF,+10%,-10%,50V-DC,0402,X7R,-55DEG CMIN,125DEG CM	C1150	2175392H01	CAP,CER,1.2PF,50V-DC,C0G,CAP,1.2PF,0402,CERAMIC,50V	C1424	2113944C63	CAP,FXD,1PF,.1PF+/-,50V-DC,0603,C0G,-55DEG CMIN,125DEG CMAX,PB
C1108	2113946B03	CAP,CHIP,.068UF,+10%,-10%,10V-DC,0402,X5R,-55DEG CMIN,85DEG CMA	C1127	2113945Y02	CAP,FXD,.1UF,+10%,-10%,16V-DC,0402,X7R,-55DEG CMIN,125DEG CMAX	C1301	2113944M20	CAP,FXD,12PF,+2%,-2%,50V-DC,0603,C0G,-55DEG CMIN,125DEG CMAX,PB	C1425	2113944C61	CAP,FXD,.5PF,.1PF+/-,50V-DC,0603,C0G,-55DEG CMIN,125DEG CMAX,P
C1109	2113944A40	CAP,CHIP,100PF,+5%,-5%,50V-DC,0402,C0G,-55DEG CMIN,125DEG CMAX				C1302	2114036F74	CAP,FXD,1.8PF,.05PF+/-,25V-DC,0402,C0G,-55DEG CMIN,125DEG CMAX	C1601	2113944M42	CAP,FXD,100PF,+2%,-2%,50V-DC,0603,C0G,-55DEG CMIN,125DEG CMAX,P

Ref. Des.	Part Number	Description	Ref. Des.	Part Number	Description	Ref. Des.	Part Number	Description	Ref. Des.	Part Number	Description
C1602	2113944M42	CAP,FXD,100PF,+2%,-2%,50V-DC,0603,C0G,-55DEG CMIN,125DEG CMAX,P	C1617	2113945B02	CAP,CHIP,.01UF,+10%,-10%,25V-DC,0402,X7R,-55DEG CMIN,125DEG CMA	C1821	2113944M17	CAP,FXD,9.1PF,.1PF+/-,50V-DC,0603,C0G,-55DEG CMIN,125DEG CMAX	C2038	2115153H09	CAP,FXD,1.8PF,.1PF+/-,50V-DC,0402,C0G
C1603	2113945L49	CAP,FXD,.01UF,+5%,-5%,50V-DC,0603,X7R,-55DEG CMIN,125DEG CMAX,P	C1618	2113944M42	CAP,FXD,100PF,+2%,-2%,50V-DC,0603,C0G,-55DEG CMIN,125DEG CMAX,P	C1822	2113944M42	CAP,FXD,100PF,+2%,-2%,50V-DC,0603,C0G,-55DEG CMIN,125DEG CMAX,P	C2039	2115153H15	CAP,FXD,3.3PF,.1PF+/-,50V-DC,0402,C0G
C1604	2113944M42	CAP,FXD,100PF,+2%,-2%,50V-DC,0603,C0G,-55DEG CMIN,125DEG CMAX,P	C1619	NOT PLACED	-	C1826	2113944M04	CAP,FXD,2.7PF,.1PF+/-,50V-DC,0603,C0G,-55DEG CMIN,125DEG CMAX	C2041	2113946B04	CAP,CHIP,.1UF,+10%,-10%,10V-DC,0402,X5R,-55DEG CMIN,85DEG CMAX
C1605	2113945B02	CAP,CHIP,.01UF,+10%,-10%,25V-DC,0402,X7R,-55DEG CMIN,125DEG CMA	C1620	2171741M01	CAP,FXD,47PF,+5%,-5%,50V-DC,COG,HI Q CAP	C1827	2113944M10	CAP,FXD,4.7PF,.1PF+/-,50V-DC,0603,C0G,-55DEG CMIN,125DEG CMAX	C2042	2115153H13	CAP,FXD,2.7PF,.1PF+/-,50V-DC,0402,C0G
C1606	2113944A40	CAP,CHIP,100PF,+5%,-5%,50V-DC,0402,C0G,-55DEG CMIN,125DEG CMAX	C1621	2171741M08	CAP,CER CHIP,22PF,+5%,-5%,50V-DC,C0G,-55DEG CMIN,125DEG CMAX,H	C2020	2113946D07	CAP,CHIP,4.7UF,+10%,-10%,6.3V-DC,0603,X5R,-55DEG CMIN,85DEG CMA	C2044	2115153H26	CAP,CER CHIP,9.1PF,.1PF+/-,+1%,-1%,50V-DC,0402,C0G
C1607	2113944M42	CAP,FXD,100PF,+2%,-2%,50V-DC,0603,C0G,-55DEG CMIN,125DEG CMAX,P	C1622	2113944M23	CAP,FXD,16PF,+2%,-2%,50V-DC,0603,C0G,-55DEG CMIN,125DEG CMAX,PB	C2022	2113944A40	CAP,CHIP,100PF,+5%,-5%,50V-DC,0402,C0G,-55DEG CMIN,125DEG CMAX	C2052	2115153H41	CAP,FXD,22PF,+1%,-1%,50V-DC,0402,C0G
C1608	2113944M42	CAP,FXD,100PF,+2%,-2%,50V-DC,0603,C0G,-55DEG CMIN,125DEG CMAX,P	C1623	2113944C08	CAP,CHIP,1.2PF,.25PF+/-,50V-DC,0603,C0G,-55DEG CMIN,125DEG CMA	C2023	2113944A40	CAP,CHIP,100PF,+5%,-5%,50V-DC,0402,C0G,-55DEG CMIN,125DEG CMAX	C2053	2115153H24	CAP,FXD,7.5PF,.1PF+/-,50V-DC,0402,C0G
C1609	2113944A40	CAP,CHIP,100PF,+5%,-5%,50V-DC,0402,C0G,-55DEG CMIN,125DEG CMAX	C1624	2113944M22	CAP,FXD,15PF,+2%,-2%,50V-DC,0603,C0G,-55DEG CMIN,125DEG CMAX,PB	C2024	2113946D07	CAP,CHIP,4.7UF,+10%,-10%,6.3V-DC,0603,X5R,-55DEG CMIN,85DEG CMA	C2054	2113944A40	CAP,CHIP,100PF,+5%,-5%,50V-DC,0402,C0G,-55DEG CMIN,125DEG CMAX
C1610	2113944M14	CAP,FXD,6.8PF,.1PF+/-,50V-DC,0603,C0G,-55DEG CMIN,125DEG CMAX	C1625	2113944M42	CAP,FXD,100PF,+2%,-2%,50V-DC,0603,C0G,-55DEG CMIN,125DEG CMAX,P	C2025	2113944A40	CAP,CHIP,100PF,+5%,-5%,50V-DC,0402,C0G,-55DEG CMIN,125DEG CMAX	C2055	2113946B04	CAP,CHIP,.1UF,+10%,-10%,10V-DC,0402,X5R,-55DEG CMIN,85DEG CMAX
C1611	2113945L49	CAP,FXD,.01UF,+5%,-5%,50V-DC,0603,X7R,-55DEG CMIN,125DEG CMAX,P	C1628	2113944M08	CAP,FXD,3.9PF,.1PF+/-,50V-DC,0603,C0G,-55DEG CMIN,125DEG CMAX	C2026	2113946B04	CAP,CHIP,.1UF,+10%,-10%,10V-DC,0402,X5R,-55DEG CMIN,85DEG CMAX	C2056	2115153H24	CAP,FXD,7.5PF,.1PF+/-,50V-DC,0402,C0G
C1612	NOT PLACED	-	C1629	2113945A12	CAP,CHIP,3300PF,+10%,-10%,50V-DC,0402,X7R,-55DEG CMIN,125DEG CM	C2028	2115153H24	CAP,FXD,7.5PF,.1PF+/-,50V-DC,0402,C0G	C2057	2115153H41	CAP,FXD,22PF,+1%,-1%,50V-DC,0402,C0G
C1613	2113944M30	CAP,FXD,33PF,+2%,-2%,50V-DC,0603,C0G,-55DEG CMIN,125DEG CMAX,PB	C1630	2113945A12	CAP,CHIP,3300PF,+10%,-10%,50V-DC,0402,X7R,-55DEG CMIN,125DEG CM	C2029	2115153H41	CAP,FXD,22PF,+1%,-1%,50V-DC,0402,C0G	C2058	2115153H13	CAP,FXD,2.7PF,.1PF+/-,50V-DC,0402,C0G
C1614	2113944M36	CAP,FXD,56PF,+2%,-2%,50V-DC,0603,C0G,-55DEG CMIN,125DEG CMAX,PB	C1803	2113944M08	CAP,FXD,3.9PF,.1PF+/-,50V-DC,0603,C0G,-55DEG CMIN,125DEG CMAX	C2032	2115153H57	CAP,FXD,100PF,+1%,-1%,50V-DC,0402,C0G	C2059	2115153H15	CAP,FXD,3.3PF,.1PF+/-,50V-DC,0402,C0G
C1615	2113944A40	CAP,CHIP,100PF,+5%,-5%,50V-DC,0402,C0G,-55DEG CMIN,125DEG CMAX	C1804	2113944M08	CAP,FXD,3.9PF,.1PF+/-,50V-DC,0603,C0G,-55DEG CMIN,125DEG CMAX	C2033	2115153H53	CAP,FXD,68PF,50V-DC,0402,C0G	C2060	2115153H11	CAP,FXD,2.2PF,.1PF+/-,50V-DC,0402,C0G
C1616	2113944M34	CAP,FXD,47PF,+2%,-2%,50V-DC,0603,C0G,-55DEG CMIN,125DEG CMAX,PB	C1807	2113944M14	CAP,FXD,6.8PF,.1PF+/-,50V-DC,0603,C0G,-55DEG CMIN,125DEG CMAX	C2035	2115153H15	CAP,FXD,3.3PF,.1PF+/-,50V-DC,0402,C0G	C2061	2115153H15	CAP,FXD,3.3PF,.1PF+/-,50V-DC,0402,C0G
			C1820	2113944M08	CAP,FXD,3.9PF,.1PF+/-,50V-DC,0603,C0G,-55DEG CMIN,125DEG CMAX	C2036	2115153H07	CAP,FXD,1.5PF,.1PF+/-,50V-DC,0402,C0G	C2063	2115153H41	CAP,FXD,22PF,+1%,-1%,50V-DC,0402,C0G
						C2037	2115153H12	CAP,FXD,2.4PF,.1PF+/-,+4.2%,-4.2%,50V-DC,0402,C0G	C2064	2115153H24	CAP,FXD,7.5PF,.1PF+/-,50V-DC,0402,C0G
									D200	4813978A19	DIODE,RECT,MBR120,SM,SOD-123,1A,20V,SHTK,PB-FREE
									D722	4815011H01	DIODE,SWG,SM,300MA,80V,TRP
									D723	4815011H01	DIODE,SWG,SM,300MA,80V,TRP

Ref. Des.	Part Number	Description	Ref. Des.	Part Number	Description	Ref. Des.	Part Number	Description	Ref. Des.	Part Number	Description
E200	2405688Z01	IDCTR,BEAD,FERR BEAD	FL1301	9189697V15	FLTR,1.57542GHZ NOM, 1.57642GHZ MIN,1.57442GHZ MAX,50OHM,SM,PB	L508	2415427H17	IDCTR,WW,8.2NH,5%,680MA, .1OHM,CER,SM,0402,CHIP	L802	2415429H26	IDCTR,WW,33NH,5%,600MA, .22OHM,CER,SM,0603,CHIP
E201	2405688Z01	IDCTR,BEAD,FERR BEAD	J101	0909901V02	CONN,RCPT,SMT MCX	L509	2415427H17	IDCTR,WW,8.2NH,5%,680MA, .1OHM,CER,SM,0402,CHIP	L806	2415429H47	IDCTR,WW,390NH,5%,100MA, CER,SM,CHIP
E401	2480640Z01	FLTR,FERR,SM,SUR MT FERR BEAD	J102	0975886B01	RF CONN,F,RECEPTACLE, COAX CBL	L510	24012011020	IDCTR,WW,1NH,2%,1.3A, .085OHM,CER,4.7GHZ SRF,SM .0402 HI Q C	L817	2414032F41	IDCTR,WW,390NH,10%,200MA, 1.5OHM,CER,40 Q,730MHZ SRF,SM,PB-F
E402	2480640Z01	FLTR,FERR,SM,SUR MT FERR BEAD	L200	2571269C01	IDCTR,COIL,1.5UH,20%,2.9A, .059OHM,FERR,SM,WW PWR W18 COMP	L511	2478057A13	IDCTR,WW,7.5NH,2%,.08OHM, CER,41 Q,5.3GHZ SRF,PCMT, 7.5 NH S	L821	2415429H47	IDCTR,WW,390NH,5%,100MA, CER,SM,CHIP
E501	2480640Z01	FLTR,FERR,SM,SUR MT FERR BEAD	L401	2415427H23	IDCTR,WW,12NH,5%,640MA, CER,120KHZ SRF,SM,0402,CHIP	L601	2415429H43	IDCTR,WW,220NH,5%,300MA,2.1 OHM,CER,0 AWG,SM,0603,CHIP	L846	2414032F41	IDCTR,WW,390NH,10%,200MA, 1.5OHM,CER,40 Q,730MHZ SRF,SM,PB-F
E601	2480640Z01	FLTR,FERR,SM,SUR MT FERR BEAD	L402	2415427H23	IDCTR,WW,12NH,5%,640MA, CER,120KHZ SRF,SM,0402,CHIP	L602	2466505A01	CHIP INDUCTOR,CHIP,10UH, 5%, 50MA,FERR,0 AWG,SM,PB- FREE	L1001	2415429H37	IDCTR,WW,110NH,5%,300MA, .61OHM,CER,SM,0603,CHIP
E602	2480640Z01	FLTR,FERR,SM,SUR MT FERR BEAD	L403	2415427H05	IDCTR,WW,2.4NH,5%,790MA, .068OHM,CER,SM,0402,CHIP	L603	2466505A01	CHIP INDUCTOR,CHIP,10UH, 5%,150MA,FERR,0 AWG,SM,PB- FREE	L1002	2415429H10	IDCTR,WW,6.8NH,5%,700MA, .11OHM,CER,SM,0603,CHIP
E603	2480640Z01	FLTR,FERR,SM,SUR MT FERR BEAD	L404	2415427H23	IDCTR,WW,12NH,5%,640MA, CER,120KHZ SRF,SM,0402,CHIP	L604	2414032D16	IDCTR,WW,120NH,5%,800MA, .26OHM,CER,42 Q,1GHZ SRF,SM,PB-FREE	L1003	2415429H37	IDCTR,WW,110NH,5%,300MA, .61OHM,CER,SM,0603,CHIP
E604	2480640Z01	FLTR,FERR,SM,SUR MT FERR BEAD	L405	2415427H23	IDCTR,WW,12NH,5%,640MA, CER,120KHZ SRF,SM,0402,CHIP	L605	2414017Q54	IDCTR,FXD,3.9UH,10%,30MA, .9OHM,FERR,45 Q,38MHZ SRF,SM,0805,P	L1007	2460591K40	IDCTR,FXD,59.71NH,15%,12 TURNS,COUNTERCLOCK- WISE,28 AWG,SM,H
E605	2480640Z01	FLTR,FERR,SM,SUR MT FERR BEAD	L406	2415427H11	IDCTR,WW,4.7NH,5%,640MA, .13OHM,CER,SM,0402,CHIP	L701	2415429H47	IDCTR,WW,390NH,5%,100MA, CER,SM,CHIP	L1009	2415428H02	IDCTR,AW,2.55NH,5%,1.6A,AIR,3 TURNS,SM,AIR WOUND IDCTR
E606	2480640Z01	FLTR,FERR,SM,SUR MT FERR BEAD	L407	2415427H16	IDCTR,WW,7.5NH,5%,680MA, .1OHM,CER,SM,0402,CHIP	L720	2480646Z20	IDCTR,FXD,2.2UH,10%,15MA, SM,MULTI-LAYER CHIP	L1101	2415429H26	IDCTR,WW,33NH,5%,600MA, .22OHM,CER,SM,0603,CHIP
E607	2480640Z01	FLTR,FERR,SM,SUR MT FERR BEAD	L408	2415427H21	IDCTR,WW,10NH,5%,480MA, .2OHM,CER,SM,0402,CHIP	L727	2480646Z20	IDCTR,FXD,2.2UH,10%,15MA, SM,MULTI-LAYER CHIP	L1102	2415429H10	IDCTR,WW,6.8NH,5%,700MA, .11OHM,CER,SM,0603,CHIP
E608	2480640Z01	FLTR,FERR,SM,SUR MT FERR BEAD	L501	24012011014	IDCTR,WW,6.8NH,2%,1.5A, .055OHM,CER,5.8GHZ SRF,SM, 0402 HI Q	L728	2415429H47	IDCTR,WW,390NH,5%,100MA, CER,SM,CHIP	L1103	2475393H01	IDCTR,COIL,4.7NH,2%,750MA, .07OHM,SM,INDUCTOR, 4.7NH, 040
E609	2480640Z01	FLTR,FERR,SM,SUR MT FERR BEAD	L502	2415429H30	IDCTR,WW,47NH,5%,600MA, CER,SM,CHIP	L733	2480646Z20	IDCTR,FXD,2.2UH,10%,15MA, SM,MULTI-LAYER CHIP	L1104	0613952R66	RES,MF,0OHM,5%,.0625W,SM, 0402,PB-FREE
E1101	2405688Z01	IDCTR,BEAD,FERR BEAD	L503	2414032F38	IDCTR,WW,220NH,5%,400MA, .7OHM,CER,30 Q,630MHZ SRF,SM,PB-FRE	L735	2480646Z20	IDCTR,FXD,2.2UH,10%,15MA, SM,MULTI-LAYER CHIP	L1108	2409348J04	IDCTR,5%,SM,AIR CORE 2214
E2021	2480640Z01	FLTR,FERR,SM,SUR MT FERR BEAD	L504	2414032F41	IDCTR,WW,390NH,10%,200MA, 1.5OHM,CER,40 Q,730MHZ SRF, SM,PB-F	L738	2480646Z20	IDCTR,FXD,2.2UH,10%,15MA, SM,MULTI-LAYER CHIP	L1114	2475394H01	IDCTR,COIL,11NH,2%,.14OHM, SM,INDUCTOR, 11NH, 0402, +/-2
F200	6575834B01	FUSE,FST BLW,2A,32V,FUSE SUR MT	L505	2415429H39	IDCTR,WW,150NH,5%,280MA, .92OHM,CER,SM,0603,CHIP	L741	2480646Z20	IDCTR,FXD,2.2UH,10%,15MA, SM,MULTI-LAYER CHIP	L1301	2488090Y07	IDCTR,CHIP,3.3NH,5%,300MA, CER,SM,0402,MULAY PB FREE
FL401	9175390A01	FLTR,DB,BANDPASS,762MHZ MIN,870MHZ MAX,50OHM,SM, SAW FILTER, DL	L506	2415429H39	IDCTR,WW,150NH,5%,280MA, .92OHM,CER,SM,0603,CHIP	L753	2415347H06	IDCTR,WW,2.2UH,5%,320MA,1.2 OHM,CER,SM,IDCTR, 2200NH	L1302	2488090Y25	IDCTR,CHIP,100NH,5%,90MA, CER,SM,0402,MULAY PB FREE
FL402	9175390A01	FLTR,DB,BANDPASS,762MHZ MIN,870MHZ MAX,50OHM,SM, SAW FILTER, DL	L507	2415427H36	IDCTR,WW,33NH,5%,400MA,CE R,SM,0402,CHIP				L1303	2414017P25	IDCTR,CHIP,100NH,5%,100MA, 5.5OHM,CER,8 Q,650MHZ SRF, SM,0402

Ref. Des.	Part Number	Description	Ref. Des.	Part Number	Description	Ref. Des.	Part Number	Description	Ref. Des.	Part Number	Description
L1305	2475391H01	IDCTR,WW,18UH,2%,.27OHM,INDUCTOR, 18 NH, CHIP, 0402, 2	L2012	2478057A09	IDCTR,WW,5.6NH,2%,1.7A,.036OHM,CER,48 Q,6.6GHZ SRF,SM,5.6 N	PASTE	1085674C03	PROD CONSUM,SLDR,T MELT = 217C	Q1101	4813973A32	XSTR,BIP GP SS,NPN,SM,SC-70,SMT,50V,.202W,100MA,PB-FREE
L1306	2488090Y10	IDCTR,CHIP,5.6NH,5%,300MA,CER,SM,0402,MULAY PB FREE	L2013	2478057A23	IDCTR,WW,18NH,2%,.066OHM,CER,41 Q,3.3GHZ SRF,PCMT,18 NH SU	PWB	8478163A02	PCB,XCVR,10 LAYER,BOARD,PC, PORT 7800 & UHF1	Q1102	4813973A32	XSTR,BIP GP SS,NPN,SM,SC-70,SMT,50V,.202W,100MA,PB-FREE
L1401	2415428H02	IDCTR,AW,2.55NH,5%,1.6A,AIR,3 TURNS,SM,AIR WOUND IDCTR	L2014	2478057A23	IDCTR,WW,18NH,2%,.066OHM,CER,41 Q,3.3GHZ SRF,PCMT,18 NH SU	Q201	4813970A59	XSTR,FET GP PWR,P-CH,ENHN,SM,SOT-23,20V,.4W,PB-FREE	Q1103	4813970A59	XSTR,FET GP PWR,P-CH,ENHN,SM,SOT-23,20V,.4W,PB-FREE
L1408	2460591A11	IDCTR,AW,7.66NH,COIL 7.66	L2015	2478057A41	IDCTR,WW,91NH,2%,440MA,.58OHM,CER,1.65GHZ SRF,SM,0306 HI Q	Q202	4813973A32	XSTR,BIP GP SS,NPN,SM,SC-70,SMT,50V,.202W,100MA,PB-FREE	Q1104	4813970A59	XSTR,FET GP PWR,P-CH,ENHN,SM,SOT-23,20V,.4W,PB-FREE
L1410	2460591A11	IDCTR,AW,7.66NH,COIL 7.66	L2016	2414017P15	IDCTR,CHIP,15NH,5%,300MA,.65OHM,CER,9 Q,1.95GHZ SRF,SM,0402	Q401	4813973A32	XSTR,BIP GP SS,NPN,SM,SC-70,SMT,50V,.202W,100MA,PB-FREE	Q1105	NOT PLACED	-
L1601	2414017H14	IDCTR,CHIP,15NH,5%,3A,.32OHM,CER,12 Q,1.5GHZ SRF,SM,0603,PB-	L2017	2478057A40	IDCTR,WW,82NH,2%,510MA,.46OHM,CER,1.8GHZ SRF,SM,0306 HI Q	Q402	4813973M75	XSTR,BIP GP SS,PNP,BC858,SOT-563,SMT,-30V,.357W,-100MA,100MHZ	Q1601	5185633C92	AMP MDL,MODULE,RING,XSTR,FET RF POWER, UHF
L1602	2415429H37	IDCTR,WW,110NH,5%,300MA,.61OHM,CER,SM,0603,CHIP	L2019	2414017P15	IDCTR,CHIP,15NH,5%,300MA,.65OHM,CER,9 Q,1.95GHZ SRF,SM,0402	Q403	4813973M75	XSTR,BIP GP SS,PNP,BC858,SOT-563,SMT,-30V,.357W,-100MA,100MHZ	Q2020	4813973A32	XSTR,BIP GP SS,NPN,SM,SC-70,SMT,50V,.202W,100MA,PB-FREE
L1603	2414015A07	IDCTR,FXD,180NH,2%,750MA,.77OHM,CER,25 Q,700MHZ SRF,SM,1008	L2034	2478057A29	IDCTR,WW,56NH,2%,610MA,.30OHM,CER,5GHZ SRF,SM,0306 HI Q CHI	Q501	4813973M75	XSTR,BIP GP SS,PNP,BC858,SOT-563,SMT,-30V,.357W,-100MA,100MHZ	Q2022	4813973M75	XSTR,BIP GP SS,PNP,BC858,SOT-563,SMT,-30V,.357W,-100MA,100MHZ
L1604	2414017H07	IDCTR,CHIP,3.9NH,300MA,.14OHM,CER,10 Q,3.4GHZ SRF,SM,0603,P	L2035	2478057A24	IDCTR,WW,22NH,2%,.14OHM,CER,44 Q,3.15GHZ SRF,PCMT,22 NH SU	Q503	4885316E32	XSTR,BIP RF SML SGNL,SLCN,BFR380F,SM,SMT,6V,380W,80A,14MHZ,TR	R101	0613952R01	RES,MF,10KOHM,5%,.0625W,SM,0402,200PPM/CEL,PB-FREE
L1605	2414017H07	IDCTR,CHIP,3.9NH,300MA,.14OHM,CER,10 Q,3.4GHZ SRF,SM,0603,P	L2036	2415429H01	IDCTR,WW,1.6NH,5%,700MA,.03OHM,CER,SM,0603,CHIP	Q601	4813973A04	XSTR,BIP GP SS,NPN,TA13,SM,SOT-23,SMT,30V,.225W,300MA,125MHZ,P	R103	0613952R01	RES,MF,10KOHM,5%,.0625W,SM,0402,200PPM/CEL,PB-FREE
L1606	2460591E24	IDCTR,AW,23.75NH,COIL 23.75	M1	3275623B02	GSKT,CUST,PAD, THRM ELEC	Q703	4813973M75	XSTR,BIP GP SS,PNP,BC858,SOT-563,SMT,-30V,.357W,-100MA,100MHZ	R201	0613952R25	RES,MF,100KOHM,5%,.0625W,SM,0402,200PPM/CEL,PB-FREE
L1609	2415428H02	IDCTR,AW,2.55NH,5%,1.6A,AIR,3 TURNS,SM,AIR WOUND IDCTR	M2	75009299001	PAD,THRM INTFC - CNDT,PAD,THRM	Q712	4813973M75	XSTR,BIP GP SS,PNP,BC858,SOT-563,SMT,-30V,.357W,-100MA,100MHZ	R202	0613952Q89	RES,MF,4.7KOHM,5%,.0625W,SM,0402,200PPM/CEL,PB-FREE
L1610	2415385H01	IDCTR,AW,8NH,2%,4A,.0026OHM,AIR,3 TURNS,RH,140 Q,5GHZ SRF,SM,8	M101	2871616H01	CONN,N/A,GLD,CONNECTOR,BPLUS	Q713	4805585Q32	XSTR,BIP RF SML SGNL,NPN,NE662M04,SM,SOT-343,3.3V,TRANSITO	R401	0613952R09	RES,MF,22KOHM,5%,.0625W,SM,0402,200PPM/CEL,PB-FREE
L1803	2471884M01	IDCTR,AW,10.2NH,5%,AIR,SM,10.2NH SQ SPR	M103M1	3987977Y04	CONT,CONN,1CONT,ANT UNIV 4.5MM,UC 1.8	Q714	4889394V04	XSTR,FET GP SS,MOSFET,N-CH,ENHN,SM,20V,.25W,PB-FREE TWO FETS	R402	0613952R23	RES,MF,82KOHM,5%,.0625W,SM,0402,200PPM/CEL,PB-FREE
L1809	2471884M01	IDCTR,AW,10.2NH,5%,AIR,SM,10.2NH SQ SPR	M105M1	3987977Y04	CONT,CONN,1CONT,ANT UNIV 4.5MM,UC 1.8	Q774	4885061Y01	XSTR,BIP RF SML SGNL,NPN,SM,12GHZ	R403	0613952Q85	RES,MF,3.3KOHM,5%,.0625W,SM,0402,200PPM/CEL,PB-FREE
L1811	2471884M01	IDCTR,AW,10.2NH,5%,AIR,SM 10.2NH SQ SPR	M104	NOT PLACED	-	Q842	4805585Q32	XSTR,BIP RF SML SGNL,NPN,NE662M04,SM,SOT-343,3.3V,TRANSITO	R404	0613952Q45	RES,MF,68OHM,5%,.0625W,SM,0402,200PPM/CEL,PB-FREE
L2008	2478057A09	IDCTR,WW,5.6NH,2%,1.7A,.036OHM,CER,48 Q,6.6GHZ SRF,SM,5.6 N	M106	NOT PLACED	-	Q1001	5185633C91	AMP MDL,MODULE,RING,XSTR,FET RF PWR,7/800	R405	0613952Q25	RES,MF,10OHM,5%,.0625W,SM,0402,200PPM/CEL,PB-FREE
L2009	2478057A23	IDCTR,WW,18NH,2%,.066OHM,CER,41 Q,3.3GHZ SRF,PCMT,18 NH SU	P101	2887818K05	RECTANGULAR CONNECTOR,STKNG,MIX,40CONT,VERT,SMD				R406	0613952Q11	RES,MF,2.7OHM,5%,.0625W,SM,0402,200PPM/CEL,PB-FREE
L2010	2478057A23	IDCTR,WW,18NH,2%,.066OHM,CER,41 Q,3.3GHZ SRF,PCMT,18 NH SU							R407	0613952R09	RES,MF,22KOHM,5%,.0625W,SM,0402,200PPM/CEL,PB-FREE
									R408	0613952R23	RES,MF,82KOHM,5%,.0625W,SM,0402,200PPM/CEL,PB-FREE

Ref. Des.	Part Number	Description	Ref. Des.	Part Number	Description	Ref. Des.	Part Number	Description	Ref. Des.	Part Number	Description
R409	0613952Q85	RES,MF,3.3KOHM,5%,.0625W,SM,0402,200PPM/CEL,PB-FREE	R605	0613952R01	RES,MF,10KOHM,5%,.0625W,SM,0402,200PPM/CEL,PB-FREE	R704	0613952Q42	RES,MF,51OHM,5%,.0625W,SM,0402,200PPM/CEL,PB-FREE	R761	0613952Q57	RES,MF,220OHM,5%,.0625W,SM,0402,200PPM/CEL,PB-FREE
R410	0613952Q45	RES,MF,68OHM,5%,.0625W,SM,0402,200PPM/CEL,PB-FREE	R606	0613952R01	RES,MF,10KOHM,5%,.0625W,SM,0402,200PPM/CEL,PB-FREE	R705	0613952Q25	RES,MF,10OHM,5%,.0625W,SM,0402,200PPM/CEL,PB-FREE	R762	0613952R02	RES,MF,11KOHM,5%,.0625W,SM,0402,200PPM/CEL,PB-FREE
R411	0613952Q25	RES,MF,10OHM,5%,.0625W,SM,0402,200PPM/CEL,PB-FREE	R607	0613952R25	RES,MF,100KOHM,5%,.0625W,SM,0402,200PPM/CEL,PB-FREE	R706	0613952R66	RES,MF,0OHM,5%,.0625W,SM,0402,PB-FREE	R764	0613952Q75	RES,MF,1.2KOHM,5%,.0625W,SM,0402,200PPM/CEL,PB-FREE
R412	0613952Q11	RES,MF,2.7OHM,5%,.0625W,SM,0402,200PPM/CEL,PB-FREE	R608	0613952R01	RES,MF,10KOHM,5%,.0625W,SM,0402,200PPM/CEL,PB-FREE	R707	0613952R66	RES,MF,0OHM,5%,.0625W,SM,0402,PB-FREE	R767	0613952Q45	RES,MF,68OHM,5%,.0625W,SM,0402,200PPM/CEL,PB-FREE
R413	0613952Q11	RES,MF,2.7OHM,5%,.0625W,SM,0402,200PPM/CEL,PB-FREE	R609	0613952Q81	RES,MF,2.2KOHM,5%,.0625W,SM,0402,200PPM/CEL,PB-FREE	R708	0613952Q49	RES,MF,100OHM,5%,.0625W,SM,0402,200PPM/CEL,PB-FREE	R772	0613952Q37	RES,MF,33OHM,5%,.0625W,SM,0402,200PPM/CEL,PB-FREE
R501	NOT PLACED	–	R610	0613952R25	RES,MF,100KOHM,5%,.0625W,SM,0402,200PPM/CEL,PB-FREE	R709	0613952Q45	RES,MF,68OHM,5%,.0625W,SM,0402,200PPM/CEL,PB-FREE	R773	0613952Q91	RES,MF,5.6KOHM,5%,.0625W,SM,0402,200PPM/CEL,PB-FREE
R502	0613952Q45	RES,MF,68OHM,5%,.0625W,SM,0402,200PPM/CEL,PB-FREE	R611	0613952R01	RES,MF,10KOHM,5%,.0625W,SM,0402,200PPM/CEL,PB-FREE	R710	0613952Q56	RES,MF,200OHM,5%,.0625W,SM,0402,200PPM/CEL,PB-FREE	R776	0613952Q39	RES,MF,39OHM,5%,.0625W,SM,0402,200PPM/CEL,PB-FREE
R503	0613952R10	RES,MF,24KOHM,5%,.0625W,SM,0402,200PPM/CEL,PB-FREE	R612	0613952Q94	RES,MF,7.5KOHM,5%,.0625W,SM,0402,200PPM/CEL,PB-FREE	R711	0613952Q45	RES,MF,68OHM,5%,.0625W,SM,0402,200PPM/CEL,PB-FREE	R778	0613952Q55	RES,MF,180OHM,5%,.0625W,SM,0402,200PPM/CEL,PB-FREE
R504	0613952Q85	RES,MF,3.3KOHM,5%,.0625W,SM,0402,200PPM/CEL,PB-FREE	R613	0613952Q82	RES,MF,2.4KOHM,5%,.0625W,SM,0402,200PPM/CEL,PB-FREE	R712	0613952Q67	RES,MF,560OHM,5%,.0625W,SM,0402,200PPM/CEL,PB-FREE	R807	0613952R09	RES,MF,22KOHM,5%,.0625W,SM,0402,200PPM/CEL,PB-FREE
R505	0613952R31	RES,MF,180KOHM,5%,.0625W,SM,0402,200PPM/CEL,PB-FREE	R614	0613952R66	RES,MF,0OHM,5%,.0625W,SM,0402,PB-FREE	R713	0613952Q25	RES,MF,10OHM,5%,.0625W,SM,0402,200PPM/CEL,PB-FREE	R808	0613952R23	RES,MF,82KOHM,5%,.0625W,SM,0402,200PPM/CEL,PB-FREE
R506	0613952Q53	RES,MF,150OHM,5%,.0625W,SM,0402,200PPM/CEL,PB-FREE	R615	NOT PLACED	–	R714	0613952Q67	RES,MF,560OHM,5%,.0625W,SM,0402,200PPM/CEL,PB-FREE	R809	0613952Q91	RES,MF,5.6KOHM,5%,.0625W,SM,0402,200PPM/CEL,PB-FREE
R507	0613952Q83	RES,MF,2.7KOHM,5%,.0625W,SM,0402,200PPM/CEL,PB-FREE	R616	NOT PLACED	–	R721	0613952R01	RES,MF,10KOHM,5%,.0625W,SM,0402,200PPM/CEL,PB-FREE	R811	0613952Q39	RES,MF,39OHM,5%,.0625W,SM,0402,200PPM/CEL,PB-FREE
R508	0613952Q41	RES,MF,47OHM,5%,.0625W,SM,0402,200PPM/CEL,PB-FREE	R617	NOT PLACED	–	R729	0613952R09	RES,MF,22KOHM,5%,.0625W,SM,0402,200PPM/CEL,PB-FREE	R812	0613952Q47	RES,MF,82OHM,5%,.0625W,SM,0402,200PPM/CEL,PB-FREE
R509	0613952Q25	RES,MF,10OHM,5%,.0625W,SM,0402,200PPM/CEL,PB-FREE	R618	NOT PLACED	–	R743	0613952R17	RES,MF,47KOHM,5%,.0625W,SM,0402,200PPM/CEL,PB-FREE	R813	0613952Q69	RES,MF,680OHM,5%,.0625W,SM,0402,200PPM/CEL,PB-FREE
R511	0613952Q13	RES,MF,3.3OHM,5%,.0625W,SM,0402,200PPM/CEL,PB-FREE	R619	NOT PLACED	–	R745	0613952R09	RES,MF,22KOHM,5%,.0625W,SM,0402,200PPM/CEL,PB-FREE	R815	0613952Q34	RES,MF,24OHM,5%,.0625W,SM,0402,200PPM/CEL,PB-FREE
R512	NOT PLACED	–	R620	NOT PLACED	–	R751	0613952Q59	RES,MF,270OHM,5%,.0625W,SM,0402,200PPM/CEL,PB-FREE	R818	0613952Q23	RES,MF,8.2OHM,5%,.0625W,SM,0402,200PPM/CEL,PB-FREE
R597	0613952R66	RES,MF,0OHM,5%,.0625W,SM,0402,PB-FREE	R621	NOT PLACED	–	R752	0613952Q91	RES,MF,5.6KOHM,5%,.0625W,SM,0402,200PPM/CEL,PB-FREE	R819	0613952Q59	RES,MF,270OHM,5%,.0625W,SM,0402,200PPM/CEL,PB-FREE
R601	0613952Q41	RES,MF,47OHM,5%,.0625W,SM,0402,200PPM/CEL,PB-FREE	R623	NOT PLACED	–	R753	NOT PLACED	–	R822	0613952R08	RES,MF,20KOHM,5%,.0625W,SM,0402,200PPM/CEL,PB-FREE
R602	0613952Q63	RES,MF,390OHM,5%,.0625W,SM,0402,200PPM/CEL,PB-FREE	R624	NOT PLACED	–	R754	0613952Q91	RES,MF,5.6KOHM,5%,.0625W,SM,0402,200PPM/CEL,PB-FREE	R823	0613952R19	RES,MF,56KOHM,5%,.0625W,SM,0402,200PPM/CEL,PB-FREE
R603	0613952R25	RES,MF,100KOHM,5%,.0625W,SM,0402,200PPM/CEL,PB-FREE	R698	0613952R66	RES,MF,0OHM,5%,.0625W,SM,0402,PB-FREE	R755	0613952R15	RES,MF,39KOHM,5%,.0625W,SM,0402,200PPM/CEL,PB-FREE	R827	0613952Q92	RES,MF,6.2KOHM,5%,.0625W,SM,0402,200PPM/CEL,PB-FREE
R604	0613952Q63	RES,MF,390OHM,5%,.0625W,SM,0402,200PPM/CEL,PB-FREE	R699	0613952Q15	RES,MF,3.9OHM,5%,.0625W,SM,0402,200PPM/CEL,PB-FREE	R759	0613952Q69	RES,MF,680OHM,5%,.0625W,SM,0402,200PPM/CEL,PB-FREE			
			R701	0613952Q49	RES,MF,100OHM,5%,.0625W,SM,0402,200PPM/CEL,PB-FREE						
			R702	0613952R66	RES,MF,0OHM,5%,.0625W,SM,0402,PB-FREE						
			R703	0613952Q42	RES,MF,51OHM,5%,.0625W,SM,0402,200PPM/CEL,PB-FREE						

Ref. Des.	Part Number	Description	Ref. Des.	Part Number	Description	Ref. Des.	Part Number	Description	Ref. Des.	Part Number	Description
R832	0613952Q29	RES,MF,15OHM,5%,.0625W,SM,0402,200PPM/CEL,PB-FREE	R1112	NOT PLACED	–	R1143	0613952R25	RES,MF,100KOHM,5%,.0625W,SM,0402,200PPM/CEL,PB-FREE	R1174	0613952R01	RES,MF,10KOHM,5%,.0625W,SM,0402,200PPM/CEL,PB-FREE
R833	0613952Q49	RES,MF,100OHM,5%,.0625W,SM,0402,200PPM/CEL,PB-FREE	R1114	0613952Q49	RES,MF,100OHM,5%,.0625W,SM,0402,200PPM/CEL,PB-FREE	R1144	0613952R25	RES,MF,100KOHM,5%,.0625W,SM,0402,200PPM/CEL,PB-FREE	R1175	0613952R66	RES,MF,0OHM,5%,.0625W,SM,0402,PB-FREE
R840	0613952Q29	RES,MF,15OHM,5%,.0625W,SM,0402,200PPM/CEL,PB-FREE	R1115	0613952Q49	RES,MF,100OHM,5%,.0625W,SM,0402,200PPM/CEL,PB-FREE	R1145	0613952R25	RES,MF,100KOHM,5%,.0625W,SM,0402,200PPM/CEL,PB-FREE	R1176	0613952Q73	RES,MF,1KOHM,5%,.0625W,SM,0402,200PPM/CEL,PB-FREE
R848	0613952Q29	RES,MF,15OHM,5%,.0625W,SM,0402,200PPM/CEL,PB-FREE	R1116	0613952R01	RES,MF,10KOHM,5%,.0625W,SM,0402,200PPM/CEL,PB-FREE	R1146	0613952R25	RES,MF,100KOHM,5%,.0625W,SM,0402,200PPM/CEL,PB-FREE	R1177	0613952R66	RES,MF,0OHM,5%,.0625W,SM,0402,PB-FREE
R849	0613952Q67	RES,MF,560OHM,5%,.0625W,SM,0402,200PPM/CEL,PB-FREE	R1117	0613952R22	RES,MF,75KOHM,5%,.0625W,SM,0402,200PPM/CEL,PB-FREE	R1151	0613952R05	RES,MF,15KOHM,5%,.0625W,SM,0402,200PPM/CEL,PB-FREE	R1178	0613952R01	RES,MF,10KOHM,5%,.0625W,SM,0402,200PPM/CEL,PB-FREE
R1001	0613952R13	RES,MF,33KOHM,5%,.0625W,SM,0402,200PPM/CEL,PB-FREE	R1121	0613952R12	RES,MF,30KOHM,5%,.0625W,SM,0402,200PPM/CEL,PB-FREE	R1152	0613952R01	RES,MF,10KOHM,5%,.0625W,SM,0402,200PPM/CEL,PB-FREE	R1179	0613952R66	RES,MF,0OHM,5%,.0625W,SM,0402,PB-FREE
R1002	0613952R17	RES,MF,47KOHM,5%,.0625W,SM,0402,200PPM/CEL,PB-FREE	R1122	0613952R22	RES,MF,75KOHM,5%,.0625W,SM,0402,200PPM/CEL,PB-FREE	R1154	0613952R01	RES,MF,10KOHM,5%,.0625W,SM,0402,200PPM/CEL,PB-FREE	R1180	0613952R66	RES,MF,0OHM,5%,.0625W,SM,0402,PB-FREE
R1003	0613952R01	RES,MF,10KOHM,5%,.0625W,SM,0402,200PPM/CEL,PB-FREE	R1124	0613952Q42	RES,MF,51OHM,5%,.0625W,SM,0402,200PPM/CEL,PB-FREE	R1158	NOT PLACED	–	R1181	NOT PLACED	–
R1004	0613952R12	RES,MF,30KOHM,5%,.0625W,SM,0402,200PPM/CEL,PB-FREE	R1125	0613952R17	RES,MF,47KOHM,5%,.0625W,SM,0402,200PPM/CEL,PB-FREE	R1160	0613952R03	RES,MF,12KOHM,5%,.0625W,SM,0402,200PPM/CEL,PB-FREE	R1182	0613952R01	RES,MF,10KOHM,5%,.0625W,SM,0402,200PPM/CEL,PB-FREE
R1005	0613952Q73	RES,MF,1KOHM,5%,.0625W,SM,0402,200PPM/CEL,PB-FREE	R1126	0613952R08	RES,MF,20KOHM,5%,.0625W,SM,0402,200PPM/CEL,PB-FREE	R1161	0613952R01	RES,MF,10KOHM,5%,.0625W,SM,0402,200PPM/CEL,PB-FREE	R1183	0613952Q73	RES,MF,1KOHM,5%,.0625W,SM,0402,200PPM/CEL,PB-FREE
R1006	0613952R66	RES,MF,0OHM,5%,.0625W,SM,0402,PB-FREE	R1127	0613952R08	RES,MF,20KOHM,5%,.0625W,SM,0402,200PPM/CEL,PB-FREE	R1162	0613952R29	RES,MF,150KOHM,5%,.0625W,SM,0402,200PPM/CEL,PB-FREE	R1184	0613952Q81	RES,MF,2.2KOHM,5%,.0625W,SM,0402,200PPM/CEL,PB-FREE
R1101	0613952R25	RES,MF,100KOHM,5%,.0625W,SM,0402,200PPM/CEL,PB-FREE	R1128	0613952R01	RES,MF,10KOHM,5%,.0625W,SM,0402,200PPM/CEL,PB-FREE	R1163	0613952R01	RES,MF,10KOHM,5%,.0625W,SM,0402,200PPM/CEL,PB-FREE	R1304	NOT PLACED	–
R1102	0613952R25	RES,MF,100KOHM,5%,.0625W,SM,0402,200PPM/CEL,PB-FREE	R1129	NOT PLACED	–	R1164	0613952R01	RES,MF,10KOHM,5%,.0625W,SM,0402,200PPM/CEL,PB-FREE	R1307	0613952Q73	RES,MF,1KOHM,5%,.0625W,SM,0402,200PPM/CEL,PB-FREE
R1103	6009259001	RES,SHUNT,.02OHM,.25W,SMD,LOW RESISTANCE THK FLM RES	R1130	NOT PLACED	–	R1165	0613952Q56	RES,MF,200OHM,5%,.0625W,SM,0402,200PPM/CEL,PB-FREE	R1601	0613952Q96	RES,MF,9.1KOHM,5%,.0625W,SM,0402,200PPM/CEL,PB-FREE
R1104	0613952Q49	RES,MF,100OHM,5%,.0625W,SM,0402,200PPM/CEL,PB-FREE	R1135	0613952R66	RES,MF,0OHM,5%,.0625W,SM,0402,PB-FREE	R1166	0613952Q56	RES,MF,200OHM,5%,.0625W,SM,0402,200PPM/CEL,PB-FREE	R1602	0613952R01	RES,MF,10KOHM,5%,.0625W,SM,0402,200PPM/CEL,PB-FREE
R1105	0613952Q49	RES,MF,100OHM,5%,.0625W,SM,0402,200PPM/CEL,PB-FREE	R1136	0613952R01	RES,MF,10KOHM,5%,.0625W,SM,0402,200PPM/CEL,PB-FREE	R1167	0613952R01	RES,MF,10KOHM,5%,.0625W,SM,0402,200PPM/CEL,PB-FREE	R1603	0613952R02	RES,MF,11KOHM,5%,.0625W,SM,0402,200PPM/CEL,PB-FREE
R1106	0613952Q21	RES,MF,6.8OHM,5%,.0625W,SM,0402,200PPM/CEL,PB-FREE	R1137	0613952R01	RES,MF,10KOHM,5%,.0625W,SM,0402,200PPM/CEL,PB-FREE	R1168	0613952Q49	RES,MF,100OHM,5%,.0625W,SM,0402,200PPM/CEL,PB-FREE	R1604	0613952R13	RES,MF,33KOHM,5%,.0625W,SM,0402,200PPM/CEL,PB-FREE
R1107	0613952Q45	RES,MF,68OHM,5%,.0625W,SM,0402,200PPM/CEL,PB-FREE	R1138	0613952R25	RES,MF,100KOHM,5%,.0625W,SM,0402,200PPM/CEL,PB-FREE	R1169	0613952P52	RES,MF,340KOHM,1%,.0625W,SM,0402,200PPM/CEL,PB-FREE	R1605	0613952Q73	RES,MF,1KOHM,5%,.0625W,SM,0402,200PPM/CEL,PB-FREE
R1108	0613952R23	RES,MF,82KOHM,5%,.0625W,SM,0402,200PPM/CEL,PB-FREE	R1139	0613952R25	RES,MF,100KOHM,5%,.0625W,SM,0402,200PPM/CEL,PB-FREE	R1170	0613952N88	RES,MF,80.6KOHM,1%,.0625W,SM,0402,200PPM/CEL,PB-FREE	R1606	NOT PLACED	–
R1110	0613952R01	RES,MF,10KOHM,5%,.0625W,SM,0402,200PPM/CEL,PB-FREE	R1140	0613952R25	RES,MF,100KOHM,5%,.0625W,SM,0402,200PPM/CEL,PB-FREE	R1171	0613952R66	RES,MF,0OHM,5%,.0625W,SM,0402,PB-FREE	R1801	0685524Y01	RES,0OHM
			R1141	0613952R42	RES,MF,510KOHM,5%,.0625W,SM,0402,200PPM/CEL,PB-FREE	R1172	0613952Q89	RES,MF,4.7KOHM,5%,.0625W,SM,0402,200PPM/CEL,PB-FREE	R2006	0613952R01	RES,MF,10KOHM,5%,.0625W,SM,0402,200PPM/CEL,PB-FREE
			R1142	0613952R25	RES,MF,100KOHM,5%,.0625W,SM,0402,200PPM/CEL,PB-FREE				R2007	0613952R01	RES,MF,10KOHM,5%,.0625W,SM,0402,200PPM/CEL,PB-FREE

Ref. Des.	Part Number	Description	Ref. Des.	Part Number	Description	Ref. Des.	Part Number	Description	Ref. Des.	Part Number	Description
R2008	0613952R01	RES,MF,10KOHM,5%,.0625W,SM,0402,200PPM/CEL,PB-FREE	SH14	2671905H01	SHLD,CAN,STL,15.32MMLG,8.3MMW,2.35MM,SHIELD, REGLTR	U602	4885316E32	XSTR,BIP RF SML SGNL,SLCN,BFR380F,SM,SMT,6V,380W,80A,14MHZ,TR	U1105	5180390L83	IC,CNTRLR,SM,1PER PKG
R2009	0613952R01	RES,MF,10KOHM,5%,.0625W,SM,0402,200PPM/CEL,PB-FREE	T503	2575851B01	XFMR,BALUN,RF XFMR BALUN	U603	5109522E84	IC,DUAL SCHMITT TRIG MICRO PAK	U1106	5175772B05	IC,LTC5532ES6,SOT-23,1PER PKG,PRCN RF DET
R2010	0613952Q73	RES,MF,1KOHM,5%,.0625W,SM,0402,200PPM/CEL,PB-FREE	T504	2575851B01	XFMR,BALUN,RF XFMR BALUN	U604	5109522E84	IC,DUAL SCHMITT TRIG MICRO PAK	U1109	5114007M32	IC,OR,2PER PKG,SM,US8,PB-FREE
R2011	0613952Q73	RES,MF,1KOHM,5%,.0625W,SM,0402,200PPM/CEL,PB-FREE	T505	2575851B01	XFMR,BALUN,RF XFMR BALUN	U605	5164852H16	IC,TRANSLATING,2PER PKG,LVC2T45,TRANSCEIVER W/ VOLTAGE TRANSLATI	U1110	5180428L15	SW,RF SWITCH,SPDT,SMT,6W,3V
R2021	0613952R22	RES,MF,75KOHM,5%,.0625W,SM,0402,200PPM/CEL,PB-FREE	U101	51009861001	IC,SERIAL EEPROM,32/64 KBIT,DFN,EEPROM 32KBIT SER SPI BUS	U606	5164852H16	IC,TRANSLATING,2PER PKG,LVC2T45,TRANSCEIVER W/ VOLTAGE TRANSLATI	U1111	5175771A26	IC,SW,50OHM,CMOS FET SW SPDT, 10WATTS
R2022	0613952R27	RES,MF,120KOHM,5%,.0625W,SM,0402,200PPM/CEL,PB-FREE	U200	5188493T01	IC,VREG/SWG,LP2989,SM,MINI SO-8 HI PRCN REG 5V	U607	5186311J24	IC,BFR,1PER PKG,NC7SZ125,ACTIVE HIGH,BFR,3ST,SM,5.5	U1112	5175772B04	IC,HMC468LP3E,QFN,1 DB LSB GAAS MMIC ATTEN
R2023	0613952R01	RES,MF,10KOHM,5%,.0625W,SM,0402,200PPM/CEL,PB-FREE	U201	5175771A99	IC,LNR V REGLTR,FXD,100MA,VFBGA,LOW NOISE, 100MA LINEAR REGL	U702	5164015H28	IC,CUST,MULTI PROTOCOL/ BAND TRANSCVR IC,SM,BGA,TRIDENT, INTEG	U1113	5185941F56	IC,OP AMP,1PER PKG,RAIL-RAIL,SOIC,IC SNGL LV LP OP AMP
R2024	0613952Q37	RES,MF,33OHM,5%,.0625W,SM,0402,200PPM/CEL,PB-FREE	U202	5175772B02	IC,LNR V REGLTR,FXD,1.8V,100MA,VFBGA,LINEAR REGLTR 100MA 1.8	U703	5175772B06	IC,SERIAL INTERFACE I/O EXPANDER,QFN,24BITS,28-PORT I/O EXPA	U1114	5185941F56	IC,OP AMP,1PER PKG,RAIL-RAIL,SOIC,IC SNGL LV LP OP AMP
R2025	0613952Q11	RES,MF,2.7OHM,5%,.0625W,SM,0402,200PPM/CEL,PB-FREE	U203	5175772B01	IC,LNR V REGLTR,FXD,1.5V,350MA, VFBGA,LINEAR V REGLTR 350MA	U708	5171972L01	IC,SW,SP3T RF SW	U1116	5109522E93	GATE,OR,SN74LVC1G32YZPR,1PER PKG,SM,2 INPUT IN NANO PKG
R2035	0613952Q75	RES,MF,1.2KOHM,5%,.0625W,SM,0402,200PPM/CEL,PB-FREE	U402	5180428L15	SW,RF SWITCH,SPDT,SMT,6W,3V	U709	5171972L01	IC,SW,SP3T RF SW	U1117	5103535B53	IC,INVTR,DL,NC7WZ04L6X,2PER PKG,SC70
SH1	2675871B01	SHLD,STL,SN PLT,SHIELD, FGU	U403	5180428L15	SW,RF SWITCH,SPDT,SMT,6W,3V	U710	5171972L01	IC,SW,SP3T RF SW	U1118	5188085K11	IC,NAND,SINGLE 2 INPUT,SN74LVC1G00YZPR,SM,GATE,POS,5 DSBGA,PB-
SH2	2675872B01	SHLD,STL,SN PLT,SHIELD, XTAL	U404	5180428L15	SW,RF SWITCH,SPDT,SMT,6W,3V	U711	5171972L01	IC,SW,SP3T RF SW	U1119	5186311J53	IC,AND,DUAL 2-INPUT AND GATE,NC7WZ08,2PER PKG,SM,MSOP
SH3	2675873B01	SHLD,STL,SN PLT,SHIELD, ABACUS	U405	5180428L15	SW,RF SWITCH,SPDT,SMT,6W,3V	U746	4805218N63	XSTR,GEN PURPOSE SMALL SIG,SOT-323,BROADBAND & XSTR BF	U1121	5114000B52	IC,XOR,LOGIC LEVEL SHIFTER,1PER PKG,SM,SOT-353,PB-FREE
SH4	2675878B01	SHLD,STL,SN PLT,SHIELD, FRNT END	U406	4885316E32	XSTR,BIP RF SML SGNL,SLCN,BFR380F,SM,SMT,6V,380W,80A,14MHZ,TR	U1001	5175143H01	IC,WIDE SPLY RANGE OP AMP	U1122	5180428L15	SW,RF SWITCH,SPDT,SMT,6W,3V
SH5	2675879B01	SHLD,STL,SN PLT,SHIELD, DRVR PA	U407	4885316E32	XSTR,BIP RF SML SGNL,SLCN,BFR380F,SM,SMT,6V,380W,80A,14MHZ,TR	U1002	5115678H01	IC,RF AMPLIFIER,BGA,TSSOP16EP,30MHZMIN,941MHZ MAX,VHF/UHF/800	U1123	5188085K11	IC,NAND,SINGLE 2 INPUT,SN74LVC1G00YZPR,SM,GATE,POS,5 DSBGA,PB-
SH6	2675876B01	SHLD,STL,SN PLT,SHIELD, VCO	U408	5103535B53	IC,INVTR,DL,NC7WZ04L6X,2PER PKG,SC70	U1101	5188032U43	IC,SENSING CIRCUIT,INA138,SM,SOT-23/5,1PER PKG,PB FREE	U1125	5175206H01	IC,DAC,W/ 5 PPM/C INT REF
SH7	2675874B01	SHLD,STL,SN PLT,SHIELD, MXR	U501	5180428L15	SW,RF SWITCH,SPDT,SMT,6W,3V	U1102	5175772B03	RF SWITCH,RF SWITCH,10W,RECONFIGURABLE 10W SP5T/3T RF SWITC	U1126	5109817F77	IC,COMPTR,LMV7275,SC70-5
SH8	2675932B01	SHLD,SHIELD, 2ND LO VCO	U502	5103535B53	IC,INVTR,DL,NC7WZ04L6X,2PER PKG,SC70	U1103	5185070Y01	IC,TEMP SENS	U1127	5171779H01	IC,ANLG SW,SC70,SC70-6,1PER PKG,SPDT ANLG SW
SH9	2675934B01	SHLD,SHIELD, DC	U506	5164852H82	IC,MXR,IC, MIXER/ BFR	U1104	5185941F56	IC,OP AMP,1PER PKG,RAIL-RAIL,SOIC,IC SNGL LV LP OP AMP	U1128	5188085K11	IC,NAND,SINGLE 2 INPUT,SN74LVC1G00YZPR,SM,GATE,POS,5 DSBGA,PB-
SH10	2675859B01	SHLD,STL,SN PLT,SHIELD, OUT MATCH	U601	5102495J14	IC,IF,IF DIGITILIZING SUBSYSTEM IC,AD9864,QFN						

Ref. Des.	Part Number	Description
U1129	5175143H01	IC,WIDE SPLY RANGE OP AMP
U1130	5175143H01	IC,WIDE SPLY RANGE OP AMP
U1131	5109817F77	IC,COMPTR,LMV7275,SC70-5
U1132	5114007M28	IC,F-F/D,1PER PKG,17SZ74,N-I, SM,SOIC8,PB-FREE
U1133	5171779H01	IC,ANLG SW,SC70,SC70-6,1PER PKG,SPDT ANLG SW
U1136	5109522E94	GATE,AND,1PER PKG,SM,2 INPUT IN NANO PKG
U1137	5164852H16	IC,TRANSLATING,2PER PKG, LVC2T45,TRANSCEIVER W/ VOLTAGE TRANSLATI
U1138	5164852H16	IC,TRANSLATING,2PER PKG,LVC2T45,TRANSCEIVER W/ VOLTAGE TRANSLATI
U1139	5164852H16	IC,TRANSLATING,2PER PKG,LVC2T45,TRANSCEIVER W/ VOLTAGE TRANSLATI
U1140	5171779H01	IC,ANLG SW,SC70,SC70-6,1PER PKG,SPDT ANLG SW
U1141	5185941F56	IC,OP AMP,1PER PKG,RAIL-RAIL,SOIC,IC SNGL LV LP OP AMP
U1142	5185941F56	IC,OP AMP,1PER PKG,RAIL-RAIL,SOIC,IC SNGL LV LP OP AMP
U1143	5185941F56	IC,OP AMP,1PER PKG,RAIL-RAIL,SOIC,IC SNGL LV LP OP AMP
U1144	5171779H01	IC,ANLG SW,SC70,SC70-6,1PER PKG,SPDT ANLG SW
U1145	5171779H01	IC,ANLG SW,SC70,SC70-6,1PER PKG,SPDT ANLG SW
U1146	5109522E93	GATE,OR,SN74LVC1G32YZPR, 1PER PKG,SM,2 INPUT IN NANO PKG
U1147	5109522E94	GATE,AND,1PER PKG,SM,2 INPUT IN NANO PKG
U1148	5185941F56	IC,OP AMP,1PER PKG,RAIL-RAIL,SOIC,IC SNGL LV LP OP AMP

Ref. Des.	Part Number	Description
U1304	5105739X13	IC,AMP,SIGE,QFN,QFN,18DB, 1.57GHZMIN,1.57GHZMAX,.9DB, SIGE GPS LO
U1601	5175143H01	IC,WIDE SPLY RANGE OP AMP
U1602	5115678H01	IC,RF AMPLIFIER,BGA, TSSOP16EP,30MHZMIN,941MHZ MAX,VHF/UHF/800
U2032	4885316E32	XSTR,BIP RF SML SGNL,SLCN, BFR380F,SM,SMT,6V,380W,80A,1 4MHZ,TR
VR101	4813977M29	DIODE,VREF,MBZ5250,SM,SOT-23,20V,.225W,ZEN
VR200	4813977M29	DIODE,VREF,MBZ5250,SM,SOT-23,20V,.225W,ZEN
VR601	4805656W87	DIODE,VCTR, @ 15V,1SV279, SOD-523/SC-79,SOD-523/SC-79
VR602	4805656W87	DIODE,VCTR, @ 15V,1SV279, SOD-523/SC-79,SOD-523/SC-79
VR2005	4815096H01	DIODE,VCTR, @ 10V,1SV305G, SM,VCTR DIODE 1SV305
VR2006	4815096H01	DIODE,VCTR, @ 10V,1SV305G, SM,VCTR DIODE 1SV305
VR2007	4815096H01	DIODE,VCTR, @ 10V,1SV305G, SM,VCTR DIODE 1SV305
VR2008	4815096H01	DIODE,VCTR, @ 10V,1SV305G, SM,VCTR DIODE 1SV305
VR2010	4815096H01	DIODE,VCTR, @ 10V,1SV305G, SM,VCTR DIODE 1SV305
VR2020	4815096H01	DIODE,VCTR, @ 10V,1SV305G, SM,VCTR DIODE 1SV305
Y701	4871886H01	OSC,TCXO,16.8MHZ,SM,16.8 MHZ VCTXO .8PPM
Y704	5164852H68	OSC,VOLTAGE CONTROLLED, 411MHZ MAX,270MHZ MIN,SM, M9LX7WX2.5H,I
Y705	5164852H66	OSC,VOLTAGE CONTROLLED, 520MHZ MAX,380MHZ MIN, SM,M9LX7WX2.5H,I
Y706	5164852H65	OSC,VOLTAGE CONTROLLED, 886MHZ MAX,741MHZ MIN,SM, M9LX7WX2.5H,I

Ref. Des.	Part Number	Description
Y707	5164852H67	OSC,VOLTAGE CONTROLLED, 824MHZ MAX,245MHZ MIN,SM, M9LX7WX2.5H,I

MNUS4000F UHF1 / 700–800 MHz Transceiver (RF) Board Parts List

Ref. Des.	Part Number	Description
C101	2113944A46	CAP,CHIP,330PF,+5%,-5%,50V-DC,0402,C0G,-55DEG CMIN, 125DEG CMAX
C200	2113945B02	CAP,CHIP,.01UF,+10%,-10%,25V-DC,0402,X7R,-55DEG CMIN, 125DEG CMA
C201	2188468Y01	CAP,CHIP,1UF,+10,-10,25V-DC, 0805,X7R
C202	2188468Y01	CAP,CHIP,1UF,+10,-10,25V-DC, 0805,X7R
C203	2188468Y01	CAP,CHIP,1UF,+10,-10,25V-DC, 0805,X7R
C204	2113955D35	CAP,FXD,4.7UF,+10%,-10%,16V-DC,1206,X7R,-55DEG CMIN, 125DEG CMAX
C205	2113955D35	CAP,FXD,4.7UF,+10%,-10%,16V-DC,1206,X7R,-55DEG CMIN, 125DEG CMAX
C206	2113945B02	CAP,CHIP,.01UF,+10%,-10%,25V-DC,0402,X7R,-55DEG CMIN, 125DEG CMA
C207	2113956B91	CAP,FXD,1UF,+10%,-10%,16V-DC,0603,X5R,-55DEG CMIN, 85DEG CMAX,PB
C208	2113956B91	CAP,FXD,1UF,+10%,-10%,16V-DC,0603,X5R,-55DEG CMIN, 85DEG CMAX,PB
C209	2113956B91	CAP,FXD,1UF,+10%,-10%,16V-DC,0603,X5R,-55DEG CMIN, 85DEG CMAX,PB
C210	2113956B91	CAP,FXD,1UF,+10%,-10%,16V-DC,0603,X5R,-55DEG CMIN, 85DEG CMAX,PB
C212	2113946D07	CAP,CHIP,4.7UF,+10%,-10%, 6.3V-DC,0603,X5R,-55DEG CMIN,85DEG CMA
C213	2113944A46	CAP,CHIP,330PF,+5%,-5%,50V-DC,0402,C0G,-55DEG CMIN, 125DEG CMAX
C214	2113944A31	CAP,CHIP,33PF,+5%,-5%,50V-DC,0402,C0G,-55DEG CMIN, 125DEG CMAX,P

Ref. Des.	Part Number	Description	Ref. Des.	Part Number	Description	Ref. Des.	Part Number	Description	Ref. Des.	Part Number	Description
C215	2113944A46	CAP,CHIP,330PF,+5%,-5%,50V-DC,0402,C0G,-55DEG CMIN,125DEG CMAX	C416	2113944A31	CAP,CHIP,33PF,+5%,-5%,50V-DC,0402,C0G,-55DEG CMIN,125DEG CMAX,P	C432	2113944A12	CAP,CHIP,3PF,.25PF+/-,50V-DC,0402,C0G,-55DEG CMIN,125DEG CMAX	C514	2113944A84	CAP,FXD,43PF,+5%,-5%,50V-DC,0402,C0G,-55DEG CMIN,125DEG CMAX,PB
C216	2113944A31	CAP,CHIP,33PF,+5%,-5%,50V-DC,0402,C0G,-55DEG CMIN,125DEG CMAX,P	C417	2113944A31	CAP,CHIP,33PF,+5%,-5%,50V-DC,0402,C0G,-55DEG CMIN,125DEG CMAX,P	C433	2113944A61	CAP,FXD,.5PF,.25PF+/-,50V-DC,0402,C0G,-55DEG CMIN,125DEG CMAX	C515	2113944A21	CAP,CHIP,6.8PF,.5PF+/-,50V-DC,0402,C0G,-55DEG CMIN,125DEG CMAX
C217	2113956B91	CAP,FXD,1UF,+10%,-10%,16V-DC,0603,X5R,-55DEG CMIN,85DEG CMAX,PB	C418	2113944A31	CAP,CHIP,33PF,+5%,-5%,50V-DC,0402,C0G,-55DEG CMIN,125DEG CMAX,P	C434	2113946D07	CAP,CHIP,4.7UF,+10%,-10%,6.3V-DC,0603,X5R,-55DEG CMIN,85DEG CMA	C516	2113944A11	CAP,CHIP,2.7PF,.25PF+/-,50V-DC,0402,C0G,-55DEG CMIN,125DEG CMA
C402	2113944A31	CAP,CHIP,33PF,+5%,-5%,50V-DC,0402,C0G,-55DEG CMIN,125DEG CMAX,P	C419	2113944A31	CAP,CHIP,33PF,+5%,-5%,50V-DC,0402,C0G,-55DEG CMIN,125DEG CMAX,P	C501	2115153H41	CAP,FXD,22PF,+1%,-1%,50V-DC,0402,C0G	C517	2113946B04	CAP,CHIP,.1UF,+10%,-10%,10V-DC,0402,X5R,-55DEG CMIN,85DEG CMAX
C404	2113944A31	CAP,CHIP,33PF,+5%,-5%,50V-DC,0402,C0G,-55DEG CMIN,125DEG CMAX,P	C421	2113946D07	CAP,CHIP,4.7UF,+10%,-10%,6.3V-DC,0603,X5R,-55DEG CMIN,85DEG CMA	C502	2115153H28	CAP,CER CHIP,4PF,.1PF+/-,+1%,-1%,50V-DC,0402,C0G	C518	2113945A09	CAP,CHIP,1000PF,+10%,-10%,50V-DC,0402,X7R,-55DEG CMIN,125DEG CM
C405	2113944A31	CAP,CHIP,33PF,+5%,-5%,50V-DC,0402,C0G,-55DEG CMIN,125DEG CMAX,P	C422	2113944A31	CAP,CHIP,33PF,+5%,-5%,50V-DC,0402,C0G,-55DEG CMIN,125DEG CMAX,P	C503	2113944V13	CAP,FXD,2.7PF,.1PF+/-,50V-DC,0402,C0G,-55DEG CMIN,125DEG CMAX	C519	2113944A28	CAP,CHIP,18PF,+5%,-5%,50V-DC,0402,C0G,-55DEG CMIN,125DEG CMAX,P
C406	2113944A31	CAP,CHIP,33PF,+5%,-5%,50V-DC,0402,C0G,-55DEG CMIN,125DEG CMAX,P	C423	2113944A21	CAP,CHIP,6.8PF,.5PF+/-,50V-DC,0402,C0G,-55DEG CMIN,125DEG CMAX	C504	2113944A40	CAP,CHIP,100PF,+5%,-5%,50V-DC,0402,C0G,-55DEG CMIN,125DEG CMAX	C520	2113945A09	CAP,CHIP,1000PF,+10%,-10%,50V-DC,0402,X7R,-55DEG CMIN,125DEG CM
C407	2113944A31	CAP,CHIP,33PF,+5%,-5%,50V-DC,0402,C0G,-55DEG CMIN,125DEG CMAX,P	C424	2113944A31	CAP,CHIP,33PF,+5%,-5%,50V-DC,0402,C0G,-55DEG CMIN,125DEG CMAX,P	C505	2113946B04	CAP,CHIP,.1UF,+10%,-10%,10V-DC,0402,X5R,-55DEG CMIN,85DEG CMAX	C521	2113945A09	CAP,CHIP,1000PF,+10%,-10%,50V-DC,0402,X7R,-55DEG CMIN,125DEG CM
C408	0613952R66	RES,MF,0OHM,5%,.0625W,SM,0402,PB-FREE	C425	2113944A12	CAP,CHIP,3PF,.25PF+/-,50V-DC,0402,C0G,-55DEG CMIN,125DEG CMAX	C506	2113946B04	CAP,CHIP,.1UF,+10%,-10%,10V-DC,0402,X5R,-55DEG CMIN,85DEG CMAX	C522	2113944A27	CAP,CHIP,15PF,+5%,-5%,50V-DC,0402,C0G,-55DEG CMIN,125DEG CMAX,P
C409	0613952R66	RES,MF,0OHM,5%,.0625W,SM,0402,PB-FREE	C426	2113944A63	CAP,FXD,1PF,.25PF+/-,50V-DC,0402,C0G,-55DEG CMIN,125DEG CMAX,P	C507	2115153H41	CAP,FXD,22PF,+1%,-1%,50V-DC,0402,C0G	C523	2113944A48	CAP,CHIP,470PF,+5%,-5%,50V-DC,0402,C0G,-55DEG CMIN,125DEG CMAX
C410	0613952R66	RES,MF,0OHM,5%,.0625W,SM,0402,PB-FREE	C427	2113946D07	CAP,CHIP,4.7UF,+10%,-10%,6.3V-DC,0603,X5R,-55DEG CMIN,85DEG CMA	C508	2113945A09	CAP,CHIP,1000PF,+10%,-10%,50V-DC,0402,X7R,-55DEG CMIN,125DEG CM	C524	2113944A30	CAP,CHIP,27PF,+5%,-5%,50V-DC,0402,C0G,-55DEG CMIN,125DEG CMAX,P
C411	0613952R66	RES,MF,0OHM,5%,.0625W,SM,0402,PB-FREE	C428	2113946D07	CAP,CHIP,4.7UF,+10%,-10%,6.3V-DC,0603,X5R,-55DEG CMIN,85DEG CMA	C509	2113945A09	CAP,CHIP,1000PF,+10%,-10%,50V-DC,0402,X7R,-55DEG CMIN,125DEG CM	C525	2115153H03	CAP,CER CHIP,1PF,.1PF+/-,50V-DC,0402,C0G
C412	2113944A27	CAP,CHIP,15PF,+5%,-5%,50V-DC,0402,C0G,-55DEG CMIN,125DEG CMAX,P	C429	2113944A31	CAP,CHIP,33PF,+5%,-5%,50V-DC,0402,C0G,-55DEG CMIN,125DEG CMAX,P	C510	2113944A52	CAP,CHIP,1000PF,+5%,-5%,50V-DC,0402,C0G,-55DEG CMIN,125DEG CMAX	C526	2113944V13	CAP,FXD,2.7PF,.1PF+/-,50V-DC,0402,C0G,-55DEG CMIN,125DEG CMAX
C413	2113944A33	CAP,CHIP,47PF,+5%,-5%,50V-DC,0402,C0G,-55DEG CMIN,125DEG CMAX,P	C430	2113944A21	CAP,CHIP,6.8PF,.5PF+/-,50V-DC,0402,C0G,-55DEG CMIN,125DEG CMAX	C511	2113944A40	CAP,CHIP,100PF,+5%,-5%,50V-DC,0402,C0G,-55DEG CMIN,125DEG CMAX	C527	2113944V07	CAP,FXD,1.5PF,.1PF+/-,50V-DC,0402,C0G,-55DEG CMIN,125DEG CMAX
C414	0613952R66	RES,MF,0OHM,5%,.0625W,SM,0402,PB-FREE	C431	2113944A31	CAP,CHIP,33PF,+5%,-5%,50V-DC,0402,C0G,-55DEG CMIN,125DEG CMAX,P	C512	2113944A31	CAP,CHIP,33PF,+5%,-5%,50V-DC,0402,C0G,-55DEG CMIN,125DEG CMAX,P	C528	2113944A40	CAP,CHIP,100PF,+5%,-5%,50V-DC,0402,C0G,-55DEG CMIN,125DEG CMAX
C415	0613952R66	RES,MF,0OHM,5%,.0625W,SM,0402,PB-FREE				C513	2113944A40	CAP,CHIP,100PF,+5%,-5%,50V-DC,0402,C0G,-55DEG CMIN,125DEG CMAX			

Ref. Des.	Part Number	Description	Ref. Des.	Part Number	Description	Ref. Des.	Part Number	Description	Ref. Des.	Part Number	Description
C529	2113944A40	CAP,CHIP,100PF,+5%,-5%,50V-DC,0402,C0G,-55DEG CMIN,125DEG CMAX	C615	2113944A42	CAP,CHIP,150PF,+5%,-5%,50V-DC,0402,C0G,-55DEG CMIN,125DEG CMAX	C630	2113946B04	CAP,CHIP,1UF,+10%,-10%,10V-DC,0402,X5R,-55DEG CMIN,85DEG CMAX	C702	2113944A44	CAP,CHIP,220PF,+5%,-5%,50V-DC,0402,C0G,-55DEG CMIN,125DEG CMAX
C601	2113945B02	CAP,CHIP,.01UF,+10%,-10%,25V-DC,0402,X7R,-55DEG CMIN,125DEG CMA	C616	2113945A11	CAP,CHIP,2200PF,+10%,-10%,50V-DC,0402,X7R,-55DEG CMIN,125DEG CM	C631	2113944A27	CAP,CHIP,15PF,+5%,-5%,50V-DC,0402,C0G,-55DEG CMIN,125DEG CMAX,P	C704	2113944A35	CAP,CHIP,62PF,+5%,-5%,50V-DC,0402,C0G,-55DEG CMIN,125DEG CMAX,P
C602	2113945B02	CAP,CHIP,.01UF,+10%,-10%,25V-DC,0402,X7R,-55DEG CMIN,125DEG CMA	C617	2113946B04	CAP,CHIP,1UF,+10%,-10%,10V-DC,0402,X5R,-55DEG CMIN,85DEG CMAX	C632	2113944A40	CAP,CHIP,100PF,+5%,-5%,50V-DC,0402,C0G,-55DEG CMIN,125DEG CMAX	C705	2113944A44	CAP,CHIP,220PF,+5%,-5%,50V-DC,0402,C0G,-55DEG CMIN,125DEG CMAX
C603	2113945B02	CAP,CHIP,.01UF,+10%,-10%,25V-DC,0402,X7R,-55DEG CMIN,125DEG CMA	C618	2113944A31	CAP,CHIP,33PF,+5%,-5%,50V-DC,0402,C0G,-55DEG CMIN,125DEG CMAX,P	C633	2113945B02	CAP,CHIP,.01UF,+10%,-10%,25V-DC,0402,X7R,-55DEG CMIN,125DEG CMA	C709	2113944A44	CAP,CHIP,220PF,+5%,-5%,50V-DC,0402,C0G,-55DEG CMIN,125DEG CMAX
C604	2113945B02	CAP,CHIP,.01UF,+10%,-10%,25V-DC,0402,X7R,-55DEG CMIN,125DEG CMA	C619	2113944A35	CAP,CHIP,62PF,+5%,-5%,50V-DC,0402,C0G,-55DEG CMIN,125DEG CMAX,P	C634	2113946B04	CAP,CHIP,1UF,+10%,-10%,10V-DC,0402,X5R,-55DEG CMIN,85DEG CMAX	C710	2113944A49	CAP,CHIP,560PF,+5%,-5%,50V-DC,0402,C0G,-55DEG CMIN,125DEG CMAX
C605	2113944A15	CAP,CHIP,3.9PF,.25PF+/-,50V-DC,0402,C0G,-55DEG CMIN,125DEG CMA	C620	2113946B04	CAP,CHIP,1UF,+10%,-10%,10V-DC,0402,X5R,-55DEG CMIN,85DEG CMAX	C635	2113945B02	CAP,CHIP,.01UF,+10%,-10%,25V-DC,0402,X7R,-55DEG CMIN,125DEG CMA	C711	2113944A34	CAP,CHIP,56PF,+5%,-5%,50V-DC,0402,C0G,-55DEG CMIN,125DEG CMAX,P
C606	2113946B04	CAP,CHIP,1UF,+10%,-10%,10V-DC,0402,X5R,-55DEG CMIN,85DEG CMAX	C621	2113946B04	CAP,CHIP,1UF,+10%,-10%,10V-DC,0402,X5R,-55DEG CMIN,85DEG CMAX	C636	2113946B04	CAP,CHIP,1UF,+10%,-10%,10V-DC,0402,X5R,-55DEG CMIN,85DEG CMAX	C712	NOT PLACED	-
C607	2113944A40	CAP,CHIP,100PF,+5%,-5%,50V-DC,0402,C0G,-55DEG CMIN,125DEG CMAX	C622	2113946C07	CAP,FXD,.33UF,+10%,-10%,10V-DC,0603,X5R,-55DEG CMIN,85DEG CMAX	C637	2113946B04	CAP,CHIP,1UF,+10%,-10%,10V-DC,0402,X5R,-55DEG CMIN,85DEG CMAX	C715	2113945C31	CAP,FXD,1UF,+10%,-10%,50V-DC,0603,X7R,-55DEG CMIN,125DEG CMAX
C608	2113944A12	CAP,CHIP,3PF,.25PF+/-,50V-DC,0402,C0G,-55DEG CMIN,125DEG CMAX	C623	2113945B02	CAP,CHIP,.01UF,+10%,-10%,25V-DC,0402,X7R,-55DEG CMIN,125DEG CMA	C638	2113945A12	CAP,CHIP,3300PF,+10%,-10%,50V-DC,0402,X7R,-55DEG CMIN,125DEG CM	C716	2113945C31	CAP,FXD,1UF,+10%,-10%,50V-DC,0603,X7R,-55DEG CMIN,125DEG CMAX
C609	2113944A30	CAP,CHIP,27PF,+5%,-5%,50V-DC,0402,C0G,-55DEG CMIN,125DEG CMAX,P	C624	2113946C07	CAP,FXD,.33UF,+10%,-10%,10V-DC,0603,X5R,-55DEG CMIN,85DEG CMAX	C639	2113945B02	CAP,CHIP,.01UF,+10%,-10%,25V-DC,0402,X7R,-55DEG CMIN,125DEG CMA	C717	2113945C31	CAP,FXD,1UF,+10%,-10%,50V-DC,0603,X7R,-55DEG CMIN,125DEG CMAX
C610	2113944A40	CAP,CHIP,100PF,+5%,-5%,50V-DC,0402,C0G,-55DEG CMIN,125DEG CMAX	C625	2113944A28	CAP,CHIP,18PF,+5%,-5%,50V-DC,0402,C0G,-55DEG CMIN,125DEG CMAX,P	C640	2113946B04	CAP,CHIP,1UF,+10%,-10%,10V-DC,0402,X5R,-55DEG CMIN,85DEG CMAX	C718	2113945C31	CAP,FXD,1UF,+10%,-10%,50V-DC,0603,X7R,-55DEG CMIN,125DEG CMAX
C611	2113944A40	CAP,CHIP,100PF,+5%,-5%,50V-DC,0402,C0G,-55DEG CMIN,125DEG CMAX	C626	2113945A09	CAP,CHIP,1000PF,+10%,-10%,50V-DC,0402,X7R,-55DEG CMIN,125DEG CM	C641	2113944A31	CAP,CHIP,33PF,+5%,-5%,50V-DC,0402,C0G,-55DEG CMIN,125DEG CMAX,P	C719	2113945C31	CAP,FXD,1UF,+10%,-10%,50V-DC,0603,X7R,-55DEG CMIN,125DEG CMAX
C612	2113945B02	CAP,CHIP,.01UF,+10%,-10%,25V-DC,0402,X7R,-55DEG CMIN,125DEG CMA	C627	2113945A09	CAP,CHIP,1000PF,+10%,-10%,50V-DC,0402,X7R,-55DEG CMIN,125DEG CM	C642	2113944A48	CAP,CHIP,470PF,+5%,-5%,50V-DC,0402,C0G,-55DEG CMIN,125DEG CMAX	C724	2113955D37	CAP,FXD,10UF,+10%,-10%,16V-DC,1206,X7R,-55DEG CMIN,125DEG CMAX
C613	2113944A40	CAP,CHIP,100PF,+5%,-5%,50V-DC,0402,C0G,-55DEG CMIN,125DEG CMAX	C628	2113945B02	CAP,CHIP,.01UF,+10%,-10%,25V-DC,0402,X7R,-55DEG CMIN,125DEG CMA	C643	2113944A48	CAP,CHIP,470PF,+5%,-5%,50V-DC,0402,C0G,-55DEG CMIN,125DEG CMAX	C725	2113945C31	CAP,FXD,1UF,+10%,-10%,50V-DC,0603,X7R,-55DEG CMIN,125DEG CMAX
C614	2113945B02	CAP,CHIP,.01UF,+10%,-10%,25V-DC,0402,X7R,-55DEG CMIN,125DEG CMA	C629	2113946B04	CAP,CHIP,1UF,+10%,-10%,10V-DC,0402,X5R,-55DEG CMIN,85DEG CMAX	C701	2113944A44	CAP,CHIP,220PF,+5%,-5%,50V-DC,0402,C0G,-55DEG CMIN,125DEG CMAX	C726	2113945C31	CAP,FXD,1UF,+10%,-10%,50V-DC,0603,X7R,-55DEG CMIN,125DEG CMAX

Ref. Des.	Part Number	Description	Ref. Des.	Part Number	Description	Ref. Des.	Part Number	Description	Ref. Des.	Part Number	Description
C730	2113945C31	CAP,FXD,.1UF,+10%,-10%,50V-DC,0603,X7R,-55DEG CMIN,125DEG CMAX	C756	2113955D37	CAP,FXD,10UF,+10%,-10%,16V-DC,1206,X7R,-55DEG CMIN,125DEG CMAX	C779	2113944A40	CAP,CHIP,100PF,+5%,-5%,50V-DC,0402,C0G,-55DEG CMIN,125DEG CMAX	C802	2113946B06	CAP,CHIP,.22UF,+10%,-10%,10V-DC,0402,X5R,-55DEG CMIN,85DEG CMAX
C731	2113945C31	CAP,FXD,.1UF,+10%,-10%,50V-DC,0603,X7R,-55DEG CMIN,125DEG CMAX	C757	2113945C31	CAP,FXD,.1UF,+10%,-10%,50V-DC,0603,X7R,-55DEG CMIN,125DEG CMAX	C783	2113944C53	CAP,CHIP,1500PF,+5%,-5%,50V-DC,0603,C0G,-55DEG CMIN,125DEG CMAX	C803	2113944A29	CAP,CHIP,22PF,+5%,-5%,50V-DC,0402,C0G,-55DEG CMIN,125DEG CMAX,P
C732	2113944A32	CAP,CHIP,39PF,+5%,-5%,50V-DC,0402,C0G,-55DEG CMIN,125DEG CMAX,P	C758	2113946B02	CAP,CHIP,.047UF,+10%,-10%,10V-DC,0402,X5R,-55DEG CMIN,85DEG CMA	C789	2113946B04	CAP,CHIP,.1UF,+10%,-10%,10V-DC,0402,X5R,-55DEG CMIN,85DEG CMAX	C804	2113944A40	CAP,CHIP,100PF,+5%,-5%,50V-DC,0402,C0G,-55DEG CMIN,125DEG CMAX
C734	2113945C31	CAP,FXD,.1UF,+10%,-10%,50V-DC,0603,X7R,-55DEG CMIN,125DEG CMAX	C759	2113945G95	CAP,FXD,.22UF,+10%,-10%,50V-DC,0805,X7R,-55DEG CMIN,125DEG CMAX	C790	2113946B04	CAP,CHIP,.1UF,+10%,-10%,10V-DC,0402,X5R,-55DEG CMIN,85DEG CMAX	C805	2113944A40	CAP,CHIP,100PF,+5%,-5%,50V-DC,0402,C0G,-55DEG CMIN,125DEG CMAX
C736	2113945B02	CAP,CHIP,.01UF,+10%,-10%,25V-DC,0402,X7R,-55DEG CMIN,125DEG CMA	C760	2113944G97	CAP,FXD,.082UF,+5%,-5%,50V-DC,1206,C0G,-55DEG CMIN,125DEG CMAX	C791	2113946B04	CAP,CHIP,.1UF,+10%,-10%,10V-DC,0402,X5R,-55DEG CMIN,85DEG CMAX	C806	2113946B06	CAP,CHIP,.22UF,+10%,-10%,10V-DC,0402,X5R,-55DEG CMIN,85DEG CMAX
C737	2113945C31	CAP,FXD,.1UF,+10%,-10%,50V-DC,0603,X7R,-55DEG CMIN,125DEG CMAX	C762	2113945C26	CAP,FXD,.039UF,+10%,-10%,50V-DC,0603,X7R,-55DEG CMIN,125DEG CMA	C792	2113946B04	CAP,CHIP,.1UF,+10%,-10%,10V-DC,0402,X5R,-55DEG CMIN,85DEG CMAX	C810	2113944A44	CAP,CHIP,220PF,+5%,-5%,50V-DC,0402,C0G,-55DEG CMIN,125DEG CMAX
C739	2113944A17	CAP,CHIP,4.7PF,.25PF+/-,50V-DC,0402,C0G,-55DEG CMIN,125DEG CMA	C763	2113944G97	CAP,FXD,.082UF,+5%,-5%,50V-DC,1206,C0G,-55DEG CMIN,125DEG CMAX	C793	2113944A40	CAP,CHIP,100PF,+5%,-5%,50V-DC,0402,C0G,-55DEG CMIN,125DEG CMAX	C813	2113944A63	CAP,FXD,1PF,.25PF+/-,50V-DC,0402,C0G,-55DEG CMIN,125DEG CMAX,P
C742	2113945C31	CAP,FXD,.1UF,+10%,-10%,50V-DC,0603,X7R,-55DEG CMIN,125DEG CMAX	C765	2113944G97	CAP,FXD,.082UF,+5%,-5%,50V-DC,1206,C0G,-55DEG CMIN,125DEG CMAX	C794	2113944A32	CAP,CHIP,39PF,+5%,-5%,50V-DC,0402,C0G,-55DEG CMIN,125DEG CMAX,P	C814	2113945A09	CAP,CHIP,1000PF,+10%,-10%,50V-DC,0402,X7R,-55DEG CMIN,125DEG CM
C744	2113955D37	CAP,FXD,10UF,+10%,-10%,16V-DC,1206,X7R,-55DEG CMIN,125DEG CMAX	C766	2113945C01	CAP,CHIP,6800PF,+10%,-10%,50V-DC,0603,X7R,-55DEG CMIN,125DEG CM	C795	2113944A40	CAP,CHIP,100PF,+5%,-5%,50V-DC,0402,C0G,-55DEG CMIN,125DEG CMAX	C816	2113944A31	CAP,CHIP,33PF,+5%,-5%,50V-DC,0402,C0G,-55DEG CMIN,125DEG CMAX,P
C747	2113944A44	CAP,CHIP,220PF,+5%,-5%,50V-DC,0402,C0G,-55DEG CMIN,125DEG CMAX	C768	2113944G97	CAP,FXD,.082UF,+5%,-5%,50V-DC,1206,C0G,-55DEG CMIN,125DEG CMAX	C796	2113944A40	CAP,CHIP,100PF,+5%,-5%,50V-DC,0402,C0G,-55DEG CMIN,125DEG CMAX	C820	2113944A44	CAP,CHIP,220PF,+5%,-5%,50V-DC,0402,C0G,-55DEG CMIN,125DEG CMAX
C748	2113944A44	CAP,CHIP,220PF,+5%,-5%,50V-DC,0402,C0G,-55DEG CMIN,125DEG CMAX	C769	2113945C20	CAP,FXD,.016UF,+10%,-10%,50V-DC,0603,X7R,-55DEG CMIN,125DEG CMA	C797	2113944A40	CAP,CHIP,100PF,+5%,-5%,50V-DC,0402,C0G,-55DEG CMIN,125DEG CMAX	C830	2113944A44	CAP,CHIP,220PF,+5%,-5%,50V-DC,0402,C0G,-55DEG CMIN,125DEG CMAX
C749	2113945C31	CAP,FXD,.1UF,+10%,-10%,50V-DC,0603,X7R,-55DEG CMIN,125DEG CMAX	C770	2113944G97	CAP,FXD,.082UF,+5%,-5%,50V-DC,1206,C0G,-55DEG CMIN,125DEG CMAX	C798	2113945A09	CAP,CHIP,1000PF,+10%,-10%,50V-DC,0402,X7R,-55DEG CMIN,125DEG CM	C831	2113944A40	CAP,CHIP,100PF,+5%,-5%,50V-DC,0402,C0G,-55DEG CMIN,125DEG CMAX
C750	2113945C31	CAP,FXD,.1UF,+10%,-10%,50V-DC,0603,X7R,-55DEG CMIN,125DEG CMAX	C771	2113944A40	CAP,CHIP,100PF,+5%,-5%,50V-DC,0402,C0G,-55DEG CMIN,125DEG CMAX	C799	2113944A40	CAP,CHIP,100PF,+5%,-5%,50V-DC,0402,C0G,-55DEG CMIN,125DEG CMAX	C836	2113944A33	CAP,CHIP,47PF,+5%,-5%,50V-DC,0402,C0G,-55DEG CMIN,125DEG CMAX,P
C752	2113944A43	CAP,CHIP,180PF,+5%,-5%,50V-DC,0402,C0G,-55DEG CMIN,125DEG CMAX	C775	2113945A09	CAP,CHIP,1000PF,+10%,-10%,50V-DC,0402,X7R,-55DEG CMIN,125DEG CM	C800	2113944A29	CAP,CHIP,22PF,+5%,-5%,50V-DC,0402,C0G,-55DEG CMIN,125DEG CMAX,P	C838	2113945A09	CAP,CHIP,1000PF,+10%,-10%,50V-DC,0402,X7R,-55DEG CMIN,125DEG CM
C754	NOT PLACED	–	C777	2113944A31	CAP,CHIP,33PF,+5%,-5%,50V-DC,0402,C0G,-55DEG CMIN,125DEG CMAX,P	C801	2113944A21	CAP,CHIP,6.8PF,.5PF+/-,50V-DC,0402,C0G,-55DEG CMIN,125DEG CMAX	C844	2113944A33	CAP,CHIP,47PF,+5%,-5%,50V-DC,0402,C0G,-55DEG CMIN,125DEG CMAX,P

Ref. Des.	Part Number	Description	Ref. Des.	Part Number	Description	Ref. Des.	Part Number	Description	Ref. Des.	Part Number	Description
C851	2113944A44	CAP,CHIP,220PF,+5%,-5%,50V-DC,0402,C0G,-55DEG CMIN,125DEG CMAX	C1019	21009257001	CAP,CER,18PF,50V-DC,-55DEG CMIN,125DEG CMAX,0805 18 PF ACCU	C1110	2113944A40	CAP,CHIP,100PF,+5%,-5%,50V-DC,0402,C0G,-55DEG CMIN,125DEG CMAX	C1128	2113945B02	CAP,CHIP,.01UF,+10%,-10%,25V-DC,0402,X7R,-55DEG CMIN,125DEG CMA
C1001	2113944M30	CAP,FXD,33PF,+2%,-2%,50V-DC,0603,C0G,-55DEG CMIN,125DEG CMAX,PB	C1020	2113944C14	CAP,CHIP,2.2PF,.25PF+/-,50V-DC,0603,C0G,-55DEG CMIN,125DEG CMA	C1111	2113945Y02	CAP,FXD,.1UF,+10%,-10%,16V-DC,0402,X7R,-55DEG CMIN,125DEG CMAX	C1129	2113945B02	CAP,CHIP,.01UF,+10%,-10%,25V-DC,0402,X7R,-55DEG CMIN,125DEG CMA
C1002	2113944C22	CAP,CHIP,4.7PF,.25PF+/-,50V-DC,0603,C0G,-55DEG CMIN,125DEG CMA	C1021	2113944C23	CAP,CHIP,5.1PF,.5PF+/-,50V-DC,0603,C0G,-55DEG CMIN,125DEG CMAX	C1112	2113945B01	CAP,CHIP,6800PF,+10%,-10%,25V-DC,0402,X7R,-55DEG CMIN,125DEG CM	C1130	2113945B02	CAP,CHIP,.01UF,+10%,-10%,25V-DC,0402,X7R,-55DEG CMIN,125DEG CMA
C1003	2113945C02	CAP,CHIP,.01UF,+10%,-10%,50V-DC,0603,X7R,-55DEG CMIN,125DEG CMA	C1022	2113944M30	CAP,FXD,33PF,+2%,-2%,50V-DC,0603,C0G,-55DEG CMIN,125DEG CMAX,PB	C1113	2113945B02	CAP,CHIP,.01UF,+10%,-10%,25V-DC,0402,X7R,-55DEG CMIN,125DEG CMA	C1132	NOT PLACED	–
C1004	2113944M30	CAP,FXD,33PF,+2%,-2%,50V-DC,0603,C0G,-55DEG CMIN,125DEG CMAX,PB	C1023	2113944M24	CAP,FXD,18PF,+2%,-2%,50V-DC,0603,C0G,-55DEG CMIN,125DEG CMAX,PB	C1116	2113945Y02	CAP,FXD,.1UF,+10%,-10%,16V-DC,0402,X7R,-55DEG CMIN,125DEG CMAX	C1134	2113945B02	CAP,CHIP,.01UF,+10%,-10%,25V-DC,0402,X7R,-55DEG CMIN,125DEG CMA
C1005	2113944M30	CAP,FXD,33PF,+2%,-2%,50V-DC,0603,C0G,-55DEG CMIN,125DEG CMAX,PB	C1024	2113945A12	CAP,CHIP,3300PF,+10%,-10%,50V-DC,0402,X7R,-55DEG CMIN,125DEG CM	C1117	2113945A12	CAP,CHIP,3300PF,+10%,-10%,50V-DC,0402,X7R,-55DEG CMIN,125DEG CM	C1135	NOT PLACED	–
C1006	2113945C02	CAP,CHIP,.01UF,+10%,-10%,50V-DC,0603,X7R,-55DEG CMIN,125DEG CMA	C1025	2113945A12	CAP,CHIP,3300PF,+10%,-10%,50V-DC,0402,X7R,-55DEG CMIN,125DEG CM	C1118	2113945B02	CAP,CHIP,.01UF,+10%,-10%,25V-DC,0402,X7R,-55DEG CMIN,125DEG CMA	C1137	2113945B04	CAP,FXD,.022UF,+10%,-10%,25V-DC,0402,X7R,-55DEG CMIN,125DEG CMA
C1007	2113944M30	CAP,FXD,33PF,+2%,-2%,50V-DC,0603,C0G,-55DEG CMIN,125DEG CMAX,PB	C1101	2113945B02	CAP,CHIP,.01UF,+10%,-10%,25V-DC,0402,X7R,-55DEG CMIN,125DEG CMA	C1119	2113945B02	CAP,CHIP,.01UF,+10%,-10%,25V-DC,0402,X7R,-55DEG CMIN,125DEG CMA	C1138	2113945B04	CAP,FXD,.022UF,+10%,-10%,25V-DC,0402,X7R,-55DEG CMIN,125DEG CMA
C1008	2113944M30	CAP,FXD,33PF,+2%,-2%,50V-DC,0603,C0G,-55DEG CMIN,125DEG CMAX,PB	C1102	2188468Y01	CAP,CHIP,1UF,+10,-10,25V-DC,0805,X7R	C1120	2113945B02	CAP,CHIP,.01UF,+10%,-10%,25V-DC,0402,X7R,-55DEG CMIN,125DEG CMA	C1139	2113944A25	CAP,CHIP,10PF,+5%,-5%,50V-DC,0402,C0G,-55DEG CMIN,125DEG CMAX,P
C1009	2113944M30	CAP,FXD,33PF,+2%,-2%,50V-DC,0603,C0G,-55DEG CMIN,125DEG CMAX,PB	C1103	2113945B02	CAP,CHIP,.01UF,+10%,-10%,25V-DC,0402,X7R,-55DEG CMIN,125DEG CMA	C1122	2175390H01	CAP,CER,2.2PF,50V-DC,C0G,CAP, 2.2 PF, 0402, CERAMIC, 50V	C1140	2113945A13	CAP,CHIP,4700PF,+10%,-10%,50V-DC,0402,X7R,-55DEG CMIN,125DEG CM
C1010	2113945C02	CAP,CHIP,.01UF,+10%,-10%,50V-DC,0603,X7R,-55DEG CMIN,125DEG CMA	C1104	NOT PLACED	–	C1123	2113945B02	CAP,CHIP,.01UF,+10%,-10%,25V-DC,0402,X7R,-55DEG CMIN,125DEG CMA	C1141	2113945Y02	CAP,FXD,.1UF,+10%,-10%,16V-DC,0402,X7R,-55DEG CMIN,125DEG CMAX
C1013	2113944M21	CAP,FXD,13PF,+2%,-2%,50V-DC,0603,C0G,-55DEG CMIN,125DEG CMAX,PB	C1105	2113944A19	CAP,CHIP,5.6PF,.5PF+/-,50V-DC,0402,C0G,-55DEG CMIN,125DEG CMAX	C1124	2113945A13	CAP,CHIP,4700PF,+10%,-10%,50V-DC,0402,X7R,-55DEG CMIN,125DEG CM	C1142	2113945A09	CAP,CHIP,1000PF,+10%,-10%,50V-DC,0402,X7R,-55DEG CMIN,125DEG CM
C1014	NOT PLACED	–	C1106	2113945B02	CAP,CHIP,.01UF,+10%,-10%,25V-DC,0402,X7R,-55DEG CMIN,125DEG CMA	C1125	2113944A19	CAP,CHIP,5.6PF,.5PF+/-,50V-DC,0402,C0G,-55DEG CMIN,125DEG CMAX	C1149	2113944A40	CAP,CHIP,100PF,+5%,-5%,50V-DC,0402,C0G,-55DEG CMIN,125DEG CMAX
C1015	2113944M30	CAP,FXD,33PF,+2%,-2%,50V-DC,0603,C0G,-55DEG CMIN,125DEG CMAX,PB	C1107	2113944A40	CAP,CHIP,100PF,+5%,-5%,50V-DC,0402,C0G,-55DEG CMIN,125DEG CMAX	C1126	2113945A09	CAP,CHIP,1000PF,+10%,-10%,50V-DC,0402,X7R,-55DEG CMIN,125DEG CM	C1150	2175392H01	CAP,CER,1.2PF,50V-DC,C0G,CAP,1.2PF, 0402, CERAMIC, 50V
C1018	2113944M30	CAP,FXD,33PF,+2%,-2%,50V-DC,0603,C0G,-55DEG CMIN,125DEG CMAX,PB	C1108	2113946B03	CAP,CHIP,.068UF,+10%,-10%,10V-DC,0402,X5R,-55DEG CMIN,85DEG CMA	C1127	2113945Y02	CAP,FXD,.1UF,+10%,-10%,16V-DC,0402,X7R,-55DEG CMIN,125DEG CMAX	C1301	2113944M20	CAP,FXD,12PF,+2%,-2%,50V-DC,0603,C0G,-55DEG CMIN,125DEG CMAX,PB
			C1109	2113944A40	CAP,CHIP,100PF,+5%,-5%,50V-DC,0402,C0G,-55DEG CMIN,125DEG CMAX				C1302	2114036F74	CAP,FXD,1.8PF,.05PF+/-,25V-DC,0402,C0G,-55DEG CMIN,125DEG CMAX

Ref. Des.	Part Number	Description	Ref. Des.	Part Number	Description	Ref. Des.	Part Number	Description	Ref. Des.	Part Number	Description
C1303	2113944A26	CAP,CHIP,12PF,+5%,-5%,50V-DC,0402,C0G,-55DEG CMIN,125DEG CMAX,P	C1602	2113944M42	CAP,FXD,100PF,+2%,-2%,50V-DC,0603,C0G,-55DEG CMIN,125DEG CMAX,P	C1618	2113944M42	CAP,FXD,100PF,+2%,-2%,50V-DC,0603,C0G,-55DEG CMIN,125DEG CMAX,P	C1821	2113944M17	CAP,FXD,9.1PF,.1PF+/-,50V-DC,0603,C0G,-55DEG CMIN,125DEG CMAX
C1304	2113945A09	CAP,CHIP,1000PF,+10%,-10%,50V-DC,0402,X7R,-55DEG CMIN,125DEG CM	C1603	2113945L49	CAP,FXD,.01UF,+5%,-5%,50V-DC,0603,X7R,-55DEG CMIN,125DEG CMAX,P	C1619	2113944M22	CAP,FXD,15PF,+2%,-2%,50V-DC,0603,C0G,-55DEG CMIN,125DEG CMAX,PB	C1822	2113944M42	CAP,FXD,100PF,+2%,-2%,50V-DC,0603,C0G,-55DEG CMIN,125DEG CMAX,P
C1305	2113944A30	CAP,CHIP,27PF,+5%,-5%,50V-DC,0402,C0G,-55DEG CMIN,125DEG CMAX,P	C1604	2113944M42	CAP,FXD,100PF,+2%,-2%,50V-DC,0603,C0G,-55DEG CMIN,125DEG CMAX,P	C1620	2171741M01	CAP,FXD,47PF,+5%,-5%,50V-DC,COG,HI Q CAP	C1826	2113944M04	CAP,FXD,2.7PF,.1PF+/-,50V-DC,0603,C0G,-55DEG CMIN,125DEG CMAX
C1306	2113945B02	CAP,CHIP,.01UF,+10%,-10%,25V-DC,0402,X7R,-55DEG CMIN,125DEG CMA	C1605	2113945B02	CAP,CHIP,.01UF,+10%,-10%,25V-DC,0402,X7R,-55DEG CMIN,125DEG CMA	C1621	2171741M08	CAP,CER CHIP,22PF,+5%,-5%,50V-DC,C0G,-55DEG CMIN,125DEG CMAX,H	C1827	2113944M10	CAP,FXD,4.7PF,.1PF+/-,50V-DC,0603,C0G,-55DEG CMIN,125DEG CMAX
C1307	2113944A26	CAP,CHIP,12PF,+5%,-5%,50V-DC,0402,C0G,-55DEG CMIN,125DEG CMAX,P	C1606	2113944A40	CAP,CHIP,100PF,+5%,-5%,50V-DC,0402,C0G,-55DEG CMIN,125DEG CMAX	C1622	2113944M23	CAP,FXD,16PF,+2%,-2%,50V-DC,0603,C0G,-55DEG CMIN,125DEG CMAX,PB	C2020	2113946D07	CAP,CHIP,4.7UF,+10%,-10%,6.3V-DC,0603,X5R,-55DEG CMIN,85DEG CMA
C1308	2113944A28	CAP,CHIP,18PF,+5%,-5%,50V-DC,0402,C0G,-55DEG CMIN,125DEG CMAX,P	C1607	2113944M25	CAP,FXD,20PF,+2%,-2%,50V-DC,0603,C0G,-55DEG CMIN,125DEG CMAX,PB	C1623	2113944C08	CAP,CHIP,1.2PF,.25PF+/-,50V-DC,0603,C0G,-55DEG CMIN,125DEG CMA	C2022	2113944A40	CAP,CHIP,100PF,+5%,-5%,50V-DC,0402,C0G,-55DEG CMIN,125DEG CMAX
C1309	2175389H01	CAP,.5PF,CAP,.5PF,CHIP,0402,CERAMIC,50 V	C1608	2113944M42	CAP,FXD,100PF,+2%,-2%,50V-DC,0603,C0G,-55DEG CMIN,125DEG CMAX,P	C1624	2113944M22	CAP,FXD,15PF,+2%,-2%,50V-DC,0603,C0G,-55DEG CMIN,125DEG CMAX,PB	C2023	2113944A40	CAP,CHIP,100PF,+5%,-5%,50V-DC,0402,C0G,-55DEG CMIN,125DEG CMAX
C1310	2113944A17	CAP,CHIP,4.7PF,.25PF+/-,50V-DC,0402,C0G,-55DEG CMIN,125DEG CMA	C1609	2113944A40	CAP,CHIP,100PF,+5%,-5%,50V-DC,0402,C0G,-55DEG CMIN,125DEG CMAX	C1625	2113944M42	CAP,FXD,100PF,+2%,-2%,50V-DC,0603,C0G,-55DEG CMIN,125DEG CMAX,P	C2024	2113946D07	CAP,CHIP,4.7UF,+10%,-10%,6.3V-DC,0603,X5R,-55DEG CMIN,85DEG CMA
C1411	2113944C36	CAP,CHIP,33PF,+5%,-5%,50V-DC,0603,C0G,-55DEG CMIN,125DEG CMAX,P	C1610	2113944M02	CAP,FXD,2.2PF,.1PF+/-,50V-DC,0603,C0G,-55DEG CMIN,125DEG CMAX	C1628	2113944M08	CAP,FXD,3.9PF,.1PF+/-,50V-DC,0603,C0G,-55DEG CMIN,125DEG CMAX	C2025	2113944A40	CAP,CHIP,100PF,+5%,-5%,50V-DC,0402,C0G,-55DEG CMIN,125DEG CMAX
C1413	2113944C62	CAP,FXD,.75PF,.1PF+/-,50V-DC,0603,C0G,-55DEG CMIN,125DEG CMAX	C1611	2113945L49	CAP,FXD,.01UF,+5%,-5%,50V-DC,0603,X7R,-55DEG CMIN,125DEG CMAX,P	C1629	2113945A12	CAP,CHIP,3300PF,+10%,-10%,50V-DC,0402,X7R,-55DEG CMIN,125DEG CM	C2026	2113946B04	CAP,CHIP,.1UF,+10%,-10%,10V-DC,0402,X5R,-55DEG CMIN,85DEG CMAX
C1414	2113944C63	CAP,FXD,1PF,.1PF+/-,50V-DC,0603,C0G,-55DEG CMIN,125DEG CMAX,PB	C1612	NOT PLACED	-	C1630	2113945A12	CAP,CHIP,3300PF,+10%,-10%,50V-DC,0402,X7R,-55DEG CMIN,125DEG CM	C2028	2115153H24	CAP,FXD,7.5PF,.1PF+/-,50V-DC,0402,C0G
C1418	2113944C13	CAP,CHIP,2PF,.25PF+/-,50V-DC,0603,C0G,-55DEG CMIN,125DEG CMAX	C1613	2113944M42	CAP,FXD,100PF,+2%,-2%,50V-DC,0603,C0G,-55DEG CMIN,125DEG CMAX,P	C1803	2113944M08	CAP,FXD,3.9PF,.1PF+/-,50V-DC,0603,C0G,-55DEG CMIN,125DEG CMAX	C2029	2115153H41	CAP,FXD,22PF,+1%,-1%,50V-DC,0402,C0G
C1419	NOT PLACED	-	C1615	2113944A40	CAP,CHIP,100PF,+5%,-5%,50V-DC,0402,C0G,-55DEG CMIN,125DEG CMAX	C1804	2113944M08	CAP,FXD,3.9PF,.1PF+/-,50V-DC,0603,C0G,-55DEG CMIN,125DEG CMAX	C2032	2115153H57	CAP,FXD,100PF,+1%,-1%,50V-DC,0402,C0G
C1424	2113944C63	CAP,FXD,1PF,.1PF+/-,50V-DC,0603,C0G,-55DEG CMIN,125DEG CMAX,PB	C1616	2113944M33	CAP,FXD,43PF,+2%,-2%,50V-DC,0603,C0G,-55DEG CMIN,125DEG CMAX,PB	C1807	2113944M14	CAP,FXD,6.8PF,.1PF+/-,50V-DC,0603,C0G,-55DEG CMIN,125DEG CMAX	C2033	2115153H53	CAP,FXD,68PF,50V-DC,0402,C0G
C1425	2113944C61	CAP,FXD,.5PF,.1PF+/-,50V-DC,0603,C0G,-55DEG CMIN,125DEG CMAX,P	C1617	2113945B02	CAP,CHIP,.01UF,+10%,-10%,25V-DC,0402,X7R,-55DEG CMIN,125DEG CMA	C1820	2113944M08	CAP,FXD,3.9PF,.1PF+/-,50V-DC,0603,C0G,-55DEG CMIN,125DEG CMAX	C2035	2115153H15	CAP,FXD,3.3PF,.1PF+/-,50V-DC,0402,C0G
C1601	2113944M42	CAP,FXD,100PF,+2%,-2%,50V-DC,0603,C0G,-55DEG CMIN,125DEG CMAX,P							C2036	2115153H07	CAP,FXD,1.5PF,.1PF+/-,50V-DC,0402,C0G
									C2037	2115153H12	CAP,FXD,2.4PF,.1PF+/-,+4.2%,-4.2%,50V-DC,0402,C0G

Ref. Des.	Part Number	Description	Ref. Des.	Part Number	Description	Ref. Des.	Part Number	Description	Ref. Des.	Part Number	Description
C2038	2115153H09	CAP,FXD,1.8PF,.1PF+/-,50V-DC,0402,C0G	E200	2405688Z01	IDCTR,BEAD,FERR BEAD	FL1301	9189697V15	FLTR,1.57542GHZ NOM,1.57642GHZ MIN,1.57442GHZ MAX,50OHM,SM,PB	L508	2415427H17	IDCTR,WW,8.2NH,5%,680MA,.1OHM,CER,SM,0402,CHIP
C2039	2115153H15	CAP,FXD,3.3PF,.1PF+/-,50V-DC,0402,C0G	E201	2405688Z01	IDCTR,BEAD,FERR BEAD	J101	0909901V02	CONN,RCPT,SMT MCX	L509	2415427H17	IDCTR,WW,8.2NH,5%,680MA,.1OHM,CER,SM,0402,CHIP
C2041	2113946B04	CAP,CHIP,.1UF,+10%,-10%,10V-DC,0402,X5R,-55DEG CMIN,85DEG CMAX	E401	2480640Z01	FLTR,FERR,SM,SUR MT FERR BEAD	J102	0975886B01	RF CONN,F,RECEPTACLE,COAX CBL	L510	24012011020	IDCTR,WW,1NH,2%,1.3A,.085OHM,CER,4.7GHZ SRF,SM,0402 HI Q C
C2042	2115153H13	CAP,FXD,2.7PF,.1PF+/-,50V-DC,0402,C0G	E402	2480640Z01	FLTR,FERR,SM,SUR MT FERR BEAD	L200	2571269C01	IDCTR,COIL,1.5UH,20%,2.9A,.059OHM,FERR,SM,WW PWR W18 COMP	L511	2478057A13	IDCTR,WW,7.5NH,2%,.08OHM,CER,41 Q,5.3GHZ SRF,PCMT,7.5 NH S
C2044	2115153H26	CAP,CER CHIP,9.1PF,.1PF+/-,+1%,-1%,50V-DC,0402,C0G	E501	2480640Z01	FLTR,FERR,SM,SUR MT FERR BEAD	L401	2415427H23	IDCTR,WW,12NH,5%,640MA,CER,120KHZ SRF,SM,0402,CHIP	L601	2415429H43	IDCTR,WW,220NH,5%,300MA,2.1OHM,CER,0 AWG,SM,0603,CHIP
C2052	2115153H41	CAP,FXD,22PF,+1%,-1%,50V-DC,0402,C0G	E601	2480640Z01	FLTR,FERR,SM,SUR MT FERR BEAD	L402	2415427H23	IDCTR,WW,12NH,5%,640MA,CER,120KHZ SRF,SM,0402,CHIP	L602	2466505A01	CHIP INDUCTOR,CHIP,10UH,5%,150MA,FERR,0 AWG,SM,PB-FREE
C2053	2115153H24	CAP,FXD,7.5PF,.1PF+/-,50V-DC,0402,C0G	E602	2480640Z01	FLTR,FERR,SM,SUR MT FERR BEAD	L403	2415427H05	IDCTR,WW,2.4NH,5%,790MA,.068OHM,CER,SM,0402,CHIP	L603	2466505A01	CHIP INDUCTOR,CHIP,10UH,5%,150MA,FERR,0 AWG,SM,PB-FREE
C2054	2113944A40	CAP,CHIP,100PF,+5%,-5%,50V-DC,0402,C0G,-55DEG CMIN,125DEG CMAX	E603	2480640Z01	FLTR,FERR,SM,SUR MT FERR BEAD	L404	2415427H23	IDCTR,WW,12NH,5%,640MA,CER,120KHZ SRF,SM,0402,CHIP	L604	2414032D16	IDCTR,WW,120NH,5%,800MA,.26OHM,CER,42 Q,1GHZ SRF,SM,PB-FREE
C2055	2113946B04	CAP,CHIP,.1UF,+10%,-10%,10V-DC,0402,X5R,-55DEG CMIN,85DEG CMAX	E604	2480640Z01	FLTR,FERR,SM,SUR MT FERR BEAD	L405	2415427H23	IDCTR,WW,12NH,5%,640MA,CER,120KHZ SRF,SM,0402,CHIP	L605	2414017Q54	IDCTR,FXD,3.9UH,10%,30MA,.9OHM,FERR,45 Q,38MHZ SRF,SM,0805,P
C2056	2115153H24	CAP,FXD,7.5PF,.1PF+/-,50V-DC,0402,C0G	E605	2480640Z01	FLTR,FERR,SM,SUR MT FERR BEAD	L406	2415427H11	IDCTR,WW,4.7NH,5%,640MA,.13OHM,CER,SM,0402,CHIP	L701	2415429H47	IDCTR,WW,390NH,5%,100MA,CER,SM,CHIP
C2057	2115153H41	CAP,FXD,22PF,+1%,-1%,50V-DC,0402,C0G	E606	2480640Z01	FLTR,FERR,SM,SUR MT FERR BEAD	L407	2415427H16	IDCTR,WW,7.5NH,5%,680MA,.1OHM,CER,SM,0402,CHIP	L720	2480646Z20	IDCTR,FXD,2.2UH,10%,15MA,SM,MULTI-LAYER CHIP
C2058	2115153H13	CAP,FXD,2.7PF,.1PF+/-,50V-DC,0402,C0G	E607	2480640Z01	FLTR,FERR,SM,SUR MT FERR BEAD	L408	2415427H21	IDCTR,WW,10NH,5%,480MA,.2OHM,CER,SM,0402,CHIP	L727	2480646Z20	IDCTR,FXD,2.2UH,10%,15MA,SM,MULTI-LAYER CHIP
C2059	2115153H15	CAP,FXD,3.3PF,.1PF+/-,50V-DC,0402,C0G	E608	2480640Z01	FLTR,FERR,SM,SUR MT FERR BEAD	L501	24012011014	IDCTR,WW,6.8NH,2%,1.5A,.055OHM,CER,5.8GHZ SRF,SM,0402 HI Q	L728	2415429H47	IDCTR,WW,390NH,5%,100MA,CER,SM,CHIP
C2060	2115153H11	CAP,FXD,2.2PF,.1PF+/-,50V-DC,0402,C0G	E609	2480640Z01	FLTR,FERR,SM,SUR MT FERR BEAD	L502	2415429H30	IDCTR,WW,47NH,5%,600MA,CER,SM,CHIP	L733	2480646Z20	IDCTR,FXD,2.2UH,10%,15MA,SM,MULTI-LAYER CHIP
C2061	2115153H15	CAP,FXD,3.3PF,.1PF+/-,50V-DC,0402,C0G	E1101	2405688Z01	IDCTR,BEAD,FERR BEAD	L503	2414032F38	IDCTR,WW,220NH,5%,400MA,.7OHM,CER,30 Q,630MHZ SRF,SM,PB-FRE	L735	2480646Z20	IDCTR,FXD,2.2UH,10%,15MA,SM,MULTI-LAYER CHIP
C2063	2115153H41	CAP,FXD,22PF,+1%,-1%,50V-DC,0402,C0G	E2021	2480640Z01	FLTR,FERR,SM,SUR MT FERR BEAD	L504	2414032F41	IDCTR,WW,390NH,10%,200MA,1.5OHM,CER,40 Q,730MHZ SRF,SM,PB-F	L738	2480646Z20	IDCTR,FXD,2.2UH,10%,15MA,SM,MULTI-LAYER CHIP
C2064	2115153H24	CAP,FXD,7.5PF,.1PF+/-,50V-DC,0402,C0G	F200	6575834B01	FUSE,FST BLW,2A,32V,FUSE SUR MT	L505	2415429H39	IDCTR,WW,150NH,5%,280MA,.92OHM,CER,SM,0603,CHIP	L741	2480646Z20	IDCTR,FXD,2.2UH,10%,15MA,SM,MULTI-LAYER CHIP
D200	4813978A19	DIODE,RECT,MBR120,SM,SOD-123,1A,20V,SHTK,PB-FREE	FL401	9175390A01	FLTR,DB,BANDPASS,762MHZ MIN,870MHZ MAX,50OHM,SM,SAW FILTER, DL	L506	2415429H39	IDCTR,WW,150NH,5%,280MA,.92OHM,CER,SM,0603,CHIP	L753	2415347H06	IDCTR,WW,2.2UH,5%,320MA,1.2OHM,CER,SM,IDCTR, 2200NH
D722	4815011H01	DIODE,SWG,SM,300MA,80V,TRP	FL402	9175390A01	FLTR,DB,BANDPASS,762MHZ MIN,870MHZ MAX,50OHM,SM,SAW FILTER, DL	L507	2415427H36	IDCTR,WW,33NH,5%,400MA,CER,SM,0402,CHIP			
D723	4815011H01	DIODE,SWG,SM,300MA,80V,TRP	FL501	91009300001	FLTR,MONOLITHIC CRYSTAL,BANDPASS,109.65MHZ NOM,SM						

Ref. Des.	Part Number	Description	Ref. Des.	Part Number	Description	Ref. Des.	Part Number	Description	Ref. Des.	Part Number	Description
L802	2415429H26	IDCTR,WW,33NH,5%,600MA, .22OHM,CER,SM,0603,CHIP	L1305	2475391H01	IDCTR,WW,18UH,2%,.27OHM, INDUCTOR, 18 NH, CHIP, 0402, 2	L2009	2478057A23	IDCTR,WW,18NH,2%,.066OHM, CER,41 Q,3.3GHZ SRF,PCMT,18 NH SU	M104	NOT PLACED	–
L806	2415429H47	IDCTR,WW,390NH,5%,100MA, CER,SM,CHIP	L1306	2488090Y10	IDCTR,CHIP,5.6NH,5%,300MA, CER,SM,0402,MULAY PB FREE	L2010	2478057A23	IDCTR,WW,18NH,2%,.066OHM, CER,41 Q,3.3GHZ SRF,PCMT,18 NH SU	M106	NOT PLACED	–
L817	2414032F41	IDCTR,WW,390NH,10%,200MA, 1.5OHM,CER,40 Q,730MHZ SRF,SM,PB-F	L1401	2415428H02	IDCTR,AW,2.55NH,5%,1.6A,AIR,3 TURNS,SM,AIR WOUND IDCTR	L2012	2478057A09	IDCTR,WW,5.6NH,2%,1.7A, .036OHM,CER,48 Q,6.6GHZ SRF, SM,5.6 N	P101	2887818K05	RECTANGULAR CONNECTOR, STKNG,MIX,40CONT,VERT,SMD
L821	2415429H47	IDCTR,WW,390NH,5%,100MA, CER,SM,CHIP	L1408	2460591A11	IDCTR,AW,7.66NH,COIL 7.66	L2013	2478057A23	IDCTR,WW,18NH,2%,.066OHM, CER,41 Q,3.3GHZ SRF,PCMT,18 NH SU	PASTE	1085674C03	PROD CONSUM,SLDR,T MELT = 217C
L846	2414032F41	IDCTR,WW,390NH,10%,200MA, 1.5OHM,CER,40 Q,730MHZ SRF,SM,PB-F	L1410	2460591A11	IDCTR,AW,7.66NH,COIL 7.66	L2014	2478057A23	IDCTR,WW,18NH,2%,.066OHM, CER,41 Q,3.3GHZ SRF,PCMT,18 NH SU	PWB	8478163A02	PCB,XCVR,10 LAYER,BOARD, PC, PORT 7800 & UHF 1
L1001	2415429H37	IDCTR,WW,110NH,5%,300MA, .61OHM,CER,SM,0603,CHIP	L1601	2414017H14	IDCTR,CHIP,15NH,5%,3A,.32OH M,CER,12 Q,1.5GHZ SRF,SM, 0603,PB-	L2015	2478057A41	IDCTR,WW,91NH,2%,.440MA, .58OHM,CER,1.65GHZ SRF,SM, 0306 HI Q	Q201	4813970A59	XSTR,FET GP PWR,P-CH,ENHN, SM,SOT-23,20V,.4W,PB-FREE
L1002	2415429H10	IDCTR,WW,6.8NH,5%,700MA, .11OHM,CER,SM,0603,CHIP	L1602	2415429H37	IDCTR,WW,110NH,5%,300MA, .61OHM,CER,SM,0603,CHIP	L2016	2414017P15	IDCTR,CHIP,15NH,5%,300MA, .65OHM,CER,9 Q,1.95GHZ SRF, SM,0402	Q202	4813973A32	XSTR,BIP GP SS,NPN,SM,SC-70, SMT,50V,.202W,100MA,PB-FREE
L1003	2415429H37	IDCTR,WW,110NH,5%,300MA, .61OHM,CER,SM,0603,CHIP	L1603	2414015A07	IDCTR,FXD,180NH,2%,750MA, .77OHM,CER,25 Q,700MHZ SRF, SM,1008	L2017	2478057A40	IDCTR,WW,82NH,2%,.510MA, .46OHM,CER,1.8GHZ SRF,SM, 0306 HI Q	Q401	4813973A32	XSTR,BIP GP SS,NPN,SM,SC-70, SMT,50V,.202W,100MA,PB-FREE
L1007	2460591K40	IDCTR,FXD,59.71NH,15%,12 TURNS,COUNTERCLOCK- WISE,28 AWG,SM,H	L1604	NOT PLACED	–	L2019	2414017P15	IDCTR,CHIP,15NH,5%,300MA, .65OHM,CER,9 Q,1.95GHZ SRF ,SM,0402	Q402	4813973M75	XSTR,BIP GP SS,PNP,BC858, SOT-563,SMT,-30V,.357W, -100MA,100MHZ
L1009	2415428H02	IDCTR,AW,2.55NH,5%,1.6A,AIR,3 TURNS,SM,AIR WOUND IDCTR	L1605	2414017H07	IDCTR,CHIP,3.9NH,300MA, 14OHM,CER,10 Q,3.4GHZ SRF, SM, 0603,P	L2034	2478057A29	IDCTR,WW,56NH,2%,.610MA, .30OHM,CER,5GHZ SRF,SM,0306 HI Q CHI	Q403	4813973M75	XSTR,BIP GP SS,PNP,BC858, SOT-563,SMT,-30V,.357W, -100MA,100MHZ
L1101	2415429H26	IDCTR,WW,33NH,5%,600MA, .22OHM,CER,SM,0603,CHIP	L1606	2460591E24	IDCTR,AW,23.75NH,COIL 23.75	L2035	2478057A24	IDCTR,WW,22NH,2%,.14OHM, CER,44 Q,3.15GHZ SRF,PCMT,22 NH SU	Q501	4813973M75	XSTR,BIP GP SS,PNP,BC858, SOT-563,SMT,-30V,.357W,- 100MA,100MHZ
L1102	2415429H10	IDCTR,WW,6.8NH,5%,700MA, .11OHM,CER,SM,0603,CHIP	L1609	2415428H02	IDCTR,AW,2.55NH,5%,1.6A,AIR,3 TURNS,SM,AIR WOUND IDCTR	L2036	2415429H01	IDCTR,WW,1.6NH,5%,700MA, .03OHM,CER,SM,0603,CHIP	Q503	4885316E32	XSTR,BIP RF SML SGNL,SLCN, BFR380F,SM,SMT,6V,380W,80A, 14MHZ,TR
L1103	2475393H01	IDCTR,COIL,4.7NH,2%,750MA, .07OHM,SM,INDUCTOR, 4.7NH, 040	L1610	2415385H01	IDCTR,AW,8NH,2%,4A,.0026OH M,AIR,3 TURNS,RH,140 Q,5GHZ SRF,SM,8	M1	3275623B02	GSKT,CUST,PAD, THRM ELEC	Q601	4813973A04	XSTR,BIP GP SS,NPN,TA13,SM, SOT-23,SMT,30V,.225W,300MA, 125MHZ,P
L1104	0613952R66	RES,MF,0OHM,5%,.0625W,SM, 0402,PB-FREE	L1619	2414017H16	IDCTR,CHIP,22NH,5%,300MA, .40OHM,CER,12 Q,1.25GHZ SRF, SM,0603	M2	75009299001	PAD,THRM INTFC - CNDT,PAD, THRM	Q703	4813973M75	XSTR,BIP GP SS,PNP,BC858, SOT-563,SMT,-30V,.357W, -100MA,100MHZ
L1108	2409348J04	IDCTR,5%,SM,AIR CORE 2214	L1620	2414017H04	IDCTR,CHIP,2.2NH,300MA, .10OHM,CER,8 Q,4GHZ SRF,SM, 0603,PB-FR	M101	2871616H01	CONN,N/A,GLD,CONNECTOR, BPLUS	Q712	4813973M75	XSTR,BIP GP SS,PNP,BC858, SOT-563,SMT,-30V,.357W, -100MA,100MHZ
L1114	2475394H01	IDCTR,COIL,11NH,2%,.14OHM,S M,INDUCTOR, 11NH, 0402, +/-2	L1803	2471884M01	IDCTR,AW,10.2NH,5%,AIR,SM, 10.2NH SQ SPR	M103M1	3987977Y04	CONT,CONN,1CONT,ANT UNIV 4.5MM,UC 1.8	Q713	4805585Q32	XSTR,BIP RF SML SGNL,NPN, NE662M04,SM,SOT-343,3.3V, TRANSITO
L1301	2488090Y07	IDCTR,CHIP,3.3NH,5%,300MA, CER,SM,0402,MULAY PB FREE	L1809	2471884M01	IDCTR,AW,10.2NH,5%,AIR,SM, 10.2NH SQ SPR	M105M1	3987977Y04	CONT,CONN,1CONT,ANT UNIV 4.5MM,UC 1.8	Q714	4889394V04	XSTR,FET GP SS,MOSFET, N-CH, ENHN,SM,20V,.25W,PB- FREE TWO FETS
L1302	2488090Y25	IDCTR,CHIP,100NH,5%,90MA, CER,SM,0402,MULAY PB FREE	L1811	2471884M01	IDCTR,AW,10.2NH,5%,AIR,SM, 10.2NH SQ SPR				Q774	4885061Y01	XSTR,BIP RF SML SGNL,NPN, SM,12GHZ
L1303	2414017P25	IDCTR,CHIP,100NH,5%,100MA, 5.5OHM,CER,8 Q,650MHZ SRF, SM,0402	L2008	2478057A09	IDCTR,WW,5.6NH,2%,1.7A, .036OHM,CER,48 Q,6.6GHZ SRF, SM,5.6 N						

Ref. Des.	Part Number	Description
Q842	4805585Q32	XSTR,BIP RF SML SGNL,NPN, NE662M04, SM,SOT-343,3.3V, TRANSITO
Q1001	5185633C91	AMP MDL,MODULE,RING,XSTR, FET RF PWR,7/800
Q1101	4813973A32	XSTR,BIP GP SS,NPN,SM,SC-70, SMT,50V,.202W,100MA,PB-FREE
Q1102	4813973A32	XSTR,BIP GP SS,NPN,SM,SC-70, SMT,50V,.202W,100MA,PB-FREE
Q1103	4813970A59	XSTR,FET GP PWR,P-CH,ENHN, SM,SOT-23,20V,.4W,PB-FREE
Q1104	4813970A59	XSTR,FET GP PWR,P-CH,ENHN, SM,SOT-23,20V,.4W,PB-FREE
Q1105	NOT PLACED	–
Q1601	5185633C92	AMP MDL,MODULE,RING,XSTR, FET RF POWER, UHF
Q2020	4813973A32	XSTR,BIP GP SS,NPN,SM,SC-70, SMT,50V,.202W,100MA,PB-FREE
Q2022	4813973M75	XSTR,BIP GP SS,PNP,BC858, SOT-563,SMT,-30V,.357W, -100MA,100MHZ
R101	0613952R01	RES,MF,10KOHM,5%,.0625W,SM ,0402,200PPM/CEL,PB-FREE
R103	0613952R01	RES,MF,10KOHM,5%,.0625W,SM ,0402,200PPM/CEL,PB-FREE
R201	0613952R25	RES,MF,100KOHM,5%,.0625W,S M,0402,200PPM/CEL,PB-FREE
R202	0613952Q89	RES,MF,4.7KOHM,5%,.0625W,S M,0402,200PPM/CEL,PB-FREE
R401	0613952R09	RES,MF,22KOHM,5%,.0625W,SM ,0402,200PPM/CEL,PB-FREE
R402	0613952R23	RES,MF,82KOHM,5%,.0625W,SM ,0402,200PPM/CEL,PB-FREE
R403	0613952Q85	RES,MF,3.3KOHM,5%,.0625W,S M,0402,200PPM/CEL,PB-FREE
R404	0613952Q45	RES,MF,68OHM,5%,.0625W,SM, 0402,200PPM/CEL,PB-FREE
R405	0613952Q25	RES,MF,10OHM,5%,.0625W,SM, 0402,200PPM/CEL,PB-FREE
R406	0613952Q11	RES,MF,2.7OHM,5%,.0625W,SM, 0402,200PPM/CEL,PB-FREE

Ref. Des.	Part Number	Description
R407	0613952R09	RES,MF,22KOHM,5%,.0625W,SM ,0402,200PPM/CEL,PB-FREE
R408	0613952R23	RES,MF,82KOHM,5%,.0625W,SM ,0402,200PPM/CEL,PB-FREE
R409	0613952Q85	RES,MF,3.3KOHM,5%,.0625W,S M,0402,200PPM/CEL,PB-FREE
R410	0613952Q45	RES,MF,68OHM,5%,.0625W,SM, 0402,200PPM/CEL,PB-FREE
R411	0613952Q25	RES,MF,10OHM,5%,.0625W,SM, 0402,200PPM/CEL,PB-FREE
R412	0613952Q11	RES,MF,2.7OHM,5%,.0625W,SM, 0402,200PPM/CEL,PB-FREE
R413	0613952Q11	RES,MF,2.7OHM,5%,.0625W,SM, 0402,200PPM/CEL,PB-FREE
R501	NOT PLACED	–
R502	0613952Q45	RES,MF,68OHM,5%,.0625W,SM, 0402,200PPM/CEL,PB-FREE
R503	0613952R10	RES,MF,24KOHM,5%,.0625W,SM ,0402,200PPM/CEL,PB-FREE
R504	0613952Q85	RES,MF,3.3KOHM,5%,.0625W,S M,0402,200PPM/CEL,PB-FREE
R505	0613952R31	RES,MF,180KOHM,5%,.0625W,S M,0402,200PPM/CEL,PB-FREE
R506	0613952Q53	RES,MF,150OHM,5%,.0625W,SM, 0402,200PPM/CEL,PB-FREE
R507	0613952Q83	RES,MF,2.7KOHM,5%,.0625W,S M,0402,200PPM/CEL,PB-FREE
R508	0613952Q41	RES,MF,47OHM,5%,.0625W,SM, 0402,200PPM/CEL,PB-FREE
R509	0613952Q25	RES,MF,10OHM,5%,.0625W,SM, 0402,200PPM/CEL,PB-FREE
R511	0613952Q13	RES,MF,3.3OHM,5%,.0625W,SM, 0402,200PPM/CEL,PB-FREE
R512	NOT PLACED	–
R597	0613952R66	RES,MF,0OHM,5%,.0625W,SM, 0402,PB-FREE
R601	0613952Q41	RES,MF,47OHM,5%,.0625W,SM, 0402,200PPM/CEL,PB-FREE
R602	0613952Q63	RES,MF,390OHM,5%,.0625W,SM, 0402,200PPM/CEL,PB-FREE

Ref. Des.	Part Number	Description
R603	0613952R25	RES,MF,100KOHM,5%,.0625W, SM,0402,200PPM/CEL,PB-FREE
R604	0613952Q63	RES,MF,390OHM,5%,.0625W,SM, 0402,200PPM/CEL,PB-FREE
R605	0613952R01	RES,MF,10KOHM,5%,.0625W,SM ,0402,200PPM/CEL,PB-FREE
R606	0613952R01	RES,MF,10KOHM,5%,.0625W,SM ,0402,200PPM/CEL,PB-FREE
R607	0613952R25	RES,MF,100KOHM,5%,.0625W, SM,0402,200PPM/CEL,PB-FREE
R608	0613952R01	RES,MF,10KOHM,5%,.0625W,SM ,0402,200PPM/CEL,PB-FREE
R609	0613952Q81	RES,MF,2.2KOHM,5%,.0625W, SM,0402,200PPM/CEL,PB-FREE
R610	0613952R25	RES,MF,100KOHM,5%,.0625W, SM,0402,200PPM/CEL,PB-FREE
R611	0613952R01	RES,MF,10KOHM,5%,.0625W,SM ,0402,200PPM/CEL,PB-FREE
R612	0613952Q94	RES,MF,7.5KOHM,5%,.0625W, SM,0402,200PPM/CEL,PB-FREE
R613	0613952Q82	RES,MF,2.4KOHM,5%,.0625W, SM,0402,200PPM/CEL,PB-FREE
R614	0613952R66	RES,MF,0OHM,5%,.0625W,SM,04 02,PB-FREE
R615	NOT PLACED	–
R616	NOT PLACED	–
R617	NOT PLACED	–
R618	NOT PLACED	–
R619	NOT PLACED	–
R620	NOT PLACED	–
R621	NOT PLACED	–
R623	NOT PLACED	–
R624	NOT PLACED	–
R698	0613952R66	RES,MF,0OHM,5%,.0625W,SM, 0402,PB-FREE
R699	0613952Q15	RES,MF,3.9OHM,5%,.0625W,SM, 0402,200PPM/CEL,PB-FREE
R701	0613952Q49	RES,MF,100OHM,5%,.0625W,SM, 0402,200PPM/CEL,PB-FREE

Ref. Des.	Part Number	Description
R702	0613952R66	RES,MF,0OHM,5%,.0625W,SM, 0402,PB-FREE
R703	0613952Q42	RES,MF,51OHM,5%,.0625W,SM, 0402,200PPM/CEL,PB-FREE
R704	0613952Q42	RES,MF,51OHM,5%,.0625W,SM, 0402,200PPM/CEL,PB-FREE
R705	0613952Q25	RES,MF,10OHM,5%,.0625W,SM, 0402,200PPM/CEL,PB-FREE
R706	0613952R66	RES,MF,0OHM,5%,.0625W,SM, 0402,PB-FREE
R707	0613952R66	RES,MF,0OHM,5%,.0625W,SM, 0402,PB-FREE
R708	0613952Q49	RES,MF,100OHM,5%,.0625W,SM, 0402,200PPM/CEL,PB-FREE
R709	0613952Q45	RES,MF,68OHM,5%,.0625W,SM, 0402,200PPM/CEL,PB-FREE
R710	0613952Q56	RES,MF,200OHM,5%,.0625W,SM, 0402,200PPM/CEL,PB-FREE
R711	0613952Q45	RES,MF,68OHM,5%,.0625W,SM, 0402,200PPM/CEL,PB-FREE
R712	0613952Q67	RES,MF,560OHM,5%,.0625W,SM, 0402,200PPM/CEL,PB-FREE
R713	0613952Q25	RES,MF,10OHM,5%,.0625W,SM, 0402,200PPM/CEL,PB-FREE
R714	0613952Q67	RES,MF,560OHM,5%,.0625W,SM, 0402,200PPM/CEL,PB-FREE
R721	0613952R01	RES,MF,10KOHM,5%,.0625W,SM ,0402,200PPM/CEL,PB-FREE
R729	0613952R09	RES,MF,22KOHM,5%,.0625W,SM ,0402,200PPM/CEL,PB-FREE
R743	0613952R17	RES,MF,47KOHM,5%,.0625W,SM ,0402,200PPM/CEL,PB-FREE
R745	0613952R09	RES,MF,22KOHM,5%,.0625W,SM ,0402,200PPM/CEL,PB-FREE
R751	0613952Q59	RES,MF,270OHM,5%,.0625W,SM, 0402,200PPM/CEL,PB-FREE
R752	NOT PLACED	–
R753	NOT PLACED	–
R754	0613952Q91	RES,MF,5.6KOHM,5%,.0625W, SM,0402,200PPM/CEL,PB-FREE

Ref. Des.	Part Number	Description	Ref. Des.	Part Number	Description	Ref. Des.	Part Number	Description	Ref. Des.	Part Number	Description
R755	0613952R15	RES,MF,39KOHM,5%,.0625W,SM,0402,200PPM/CEL,PB-FREE	R823	0613952R19	RES,MF,56KOHM,5%,.0625W,SM,0402,200PPM/CEL,PB-FREE	R1108	0613952R23	RES,MF,82KOHM,5%,.0625W,SM,0402,200PPM/CEL,PB-FREE	R1141	0613952R42	RES,MF,510KOHM,5%,.0625W,SM,0402,200PPM/CEL,PB-FREE
R759	0613952Q69	RES,MF,680OHM,5%,.0625W,SM,0402,200PPM/CEL,PB-FREE	R827	0613952Q92	RES,MF,6.2KOHM,5%,.0625W,SM,0402,200PPM/CEL,PB-FREE	R1110	0613952R01	RES,MF,10KOHM,5%,.0625W,SM,0402,200PPM/CEL,PB-FREE	R1142	0613952R25	RES,MF,100KOHM,5%,.0625W,SM,0402,200PPM/CEL,PB-FREE
R761	0613952Q57	RES,MF,220OHM,5%,.0625W,SM,0402,200PPM/CEL,PB-FREE	R832	0613952Q29	RES,MF,150OHM,5%,.0625W,SM,0402,200PPM/CEL,PB-FREE	R1112	NOT PLACED	–	R1143	0613952R25	RES,MF,100KOHM,5%,.0625W,SM,0402,200PPM/CEL,PB-FREE
R762	0613952R02	RES,MF,11KOHM,5%,.0625W,SM,0402,200PPM/CEL,PB-FREE	R833	0613952Q49	RES,MF,100OHM,5%,.0625W,SM,0402,200PPM/CEL,PB-FREE	R1114	0613952Q49	RES,MF,100OHM,5%,.0625W,SM,0402,200PPM/CEL,PB-FREE	R1144	0613952R25	RES,MF,100KOHM,5%,.0625W,SM,0402,200PPM/CEL,PB-FREE
R764	0613952Q75	RES,MF,1.2KOHM,5%,.0625W,SM,0402,200PPM/CEL,PB-FREE	R840	0613952Q29	RES,MF,150OHM,5%,.0625W,SM,0402,200PPM/CEL,PB-FREE	R1115	0613952Q49	RES,MF,100OHM,5%,.0625W,SM,0402,200PPM/CEL,PB-FREE	R1145	0613952R25	RES,MF,100KOHM,5%,.0625W,SM,0402,200PPM/CEL,PB-FREE
R767	0613952Q45	RES,MF,680OHM,5%,.0625W,SM,0402,200PPM/CEL,PB-FREE	R848	0613952Q29	RES,MF,150OHM,5%,.0625W,SM,0402,200PPM/CEL,PB-FREE	R1116	0613952R01	RES,MF,10KOHM,5%,.0625W,SM,0402,200PPM/CEL,PB-FREE	R1146	0613952R25	RES,MF,100KOHM,5%,.0625W,SM,0402,200PPM/CEL,PB-FREE
R772	0613952Q37	RES,MF,330OHM,5%,.0625W,SM,0402,200PPM/CEL,PB-FREE	R849	0613952Q67	RES,MF,560OHM,5%,.0625W,SM,0402,200PPM/CEL,PB-FREE	R1117	0613952R22	RES,MF,75KOHM,5%,.0625W,SM,0402,200PPM/CEL,PB-FREE	R1151	0613952R05	RES,MF,15KOHM,5%,.0625W,SM,0402,200PPM/CEL,PB-FREE
R773	0613952Q91	RES,MF,5.6KOHM,5%,.0625W,SM,0402,200PPM/CEL,PB-FREE	R1001	0613952R13	RES,MF,33KOHM,5%,.0625W,SM,0402,200PPM/CEL,PB-FREE	R1121	0613952R12	RES,MF,30KOHM,5%,.0625W,SM,0402,200PPM/CEL,PB-FREE	R1152	0613952R01	RES,MF,10KOHM,5%,.0625W,SM,0402,200PPM/CEL,PB-FREE
R776	0613952Q39	RES,MF,390OHM,5%,.0625W,SM,0402,200PPM/CEL,PB-FREE	R1002	0613952R17	RES,MF,47KOHM,5%,.0625W,SM,0402,200PPM/CEL,PB-FREE	R1122	0613952R22	RES,MF,75KOHM,5%,.0625W,SM,0402,200PPM/CEL,PB-FREE	R1154	0613952R01	RES,MF,10KOHM,5%,.0625W,SM,0402,200PPM/CEL,PB-FREE
R778	0613952Q55	RES,MF,180OHM,5%,.0625W,SM,0402,200PPM/CEL,PB-FREE	R1003	0613952R01	RES,MF,10KOHM,5%,.0625W,SM,0402,200PPM/CEL,PB-FREE	R1124	0613952Q42	RES,MF,510OHM,5%,.0625W,SM,0402,200PPM/CEL,PB-FREE	R1158	NOT PLACED	–
R807	0613952R09	RES,MF,22KOHM,5%,.0625W,SM,0402,200PPM/CEL,PB-FREE	R1004	0613952R12	RES,MF,30KOHM,5%,.0625W,SM,0402,200PPM/CEL,PB-FREE	R1125	0613952R17	RES,MF,47KOHM,5%,.0625W,SM,0402,200PPM/CEL,PB-FREE	R1160	0613952R03	RES,MF,12KOHM,5%,.0625W,SM,0402,200PPM/CEL,PB-FREE
R808	0613952R23	RES,MF,82KOHM,5%,.0625W,SM,0402,200PPM/CEL,PB-FREE	R1005	0613952Q73	RES,MF,1KOHM,5%,.0625W,SM,0402,200PPM/CEL,PB-FREE	R1126	0613952R08	RES,MF,20KOHM,5%,.0625W,SM,0402,200PPM/CEL,PB-FREE	R1161	0613952R01	RES,MF,10KOHM,5%,.0625W,SM,0402,200PPM/CEL,PB-FREE
R809	0613952Q91	RES,MF,5.6KOHM,5%,.0625W,SM,0402,200PPM/CEL,PB-FREE	R1006	0613952R66	RES,MF,0OHM,5%,.0625W,SM,0402,PB-FREE	R1127	0613952R08	RES,MF,20KOHM,5%,.0625W,SM,0402,200PPM/CEL,PB-FREE	R1162	0613952R29	RES,MF,150KOHM,5%,.0625W,SM,0402,200PPM/CEL,PB-FREE
R811	0613952Q39	RES,MF,390OHM,5%,.0625W,SM,0402,200PPM/CEL,PB-FREE	R1101	0613952R25	RES,MF,100KOHM,5%,.0625W,SM,0402,200PPM/CEL,PB-FREE	R1128	0613952R01	RES,MF,10KOHM,5%,.0625W,SM,0402,200PPM/CEL,PB-FREE	R1163	0613952R01	RES,MF,10KOHM,5%,.0625W,SM,0402,200PPM/CEL,PB-FREE
R812	0613952Q47	RES,MF,820OHM,5%,.0625W,SM,0402,200PPM/CEL,PB-FREE	R1102	0613952R25	RES,MF,100KOHM,5%,.0625W,SM,0402,200PPM/CEL,PB-FREE	R1129	NOT PLACED	–	R1164	0613952R01	RES,MF,10KOHM,5%,.0625W,SM,0402,200PPM/CEL,PB-FREE
R813	0613952Q69	RES,MF,680OHM,5%,.0625W,SM,0402,200PPM/CEL,PB-FREE	R1103	6009259001	RES,SHUNT,.02OHM,.25W,SMD,LOW RESISTANCE THK FLM RES	R1130	NOT PLACED	–	R1165	0613952Q56	RES,MF,200OHM,5%,.0625W,SM,0402,200PPM/CEL,PB-FREE
R815	0613952Q34	RES,MF,240OHM,5%,.0625W,SM,0402,200PPM/CEL,PB-FREE	R1104	0613952Q49	RES,MF,100OHM,5%,.0625W,SM,0402,200PPM/CEL,PB-FREE	R1135	0613952R66	RES,MF,0OHM,5%,.0625W,SM,0402,PB-FREE	R1166	0613952Q56	RES,MF,200OHM,5%,.0625W,SM,0402,200PPM/CEL,PB-FREE
R818	0613952Q23	RES,MF,8.2OHM,5%,.0625W,SM,0402,200PPM/CEL,PB-FREE	R1105	0613952Q49	RES,MF,100OHM,5%,.0625W,SM,0402,200PPM/CEL,PB-FREE	R1136	0613952R01	RES,MF,10KOHM,5%,.0625W,SM,0402,200PPM/CEL,PB-FREE	R1167	0613952R01	RES,MF,10KOHM,5%,.0625W,SM,0402,200PPM/CEL,PB-FREE
R819	0613952Q59	RES,MF,270OHM,5%,.0625W,SM,0402,200PPM/CEL,PB-FREE	R1106	0613952Q21	RES,MF,6.8OHM,5%,.0625W,SM,0402,200PPM/CEL,PB-FREE	R1137	0613952R01	RES,MF,10KOHM,5%,.0625W,SM,0402,200PPM/CEL,PB-FREE	R1168	0613952Q49	RES,MF,100OHM,5%,.0625W,SM,0402,200PPM/CEL,PB-FREE
R822	0613952R08	RES,MF,20KOHM,5%,.0625W,SM,0402,200PPM/CEL,PB-FREE	R1107	0613952Q45	RES,MF,680OHM,5%,.0625W,SM,0402,200PPM/CEL,PB-FREE	R1138	0613952R25	RES,MF,100KOHM,5%,.0625W,SM,0402,200PPM/CEL,PB-FREE	R1169	0613952P52	RES,MF,340KOHM,1%,.0625W,SM,0402,200PPM/CEL,PB-FREE
						R1139	0613952R25	RES,MF,100KOHM,5%,.0625W,SM,0402,200PPM/CEL,PB-FREE	R1170	0613952N88	RES,MF,80.6KOHM,1%,.0625W,SM,0402,200PPM/CEL,PB-FREE
						R1140	0613952R25	RES,MF,100KOHM,5%,.0625W,SM,0402,200PPM/CEL,PB-FREE			

Ref. Des.	Part Number	Description	Ref. Des.	Part Number	Description	Ref. Des.	Part Number	Description	Ref. Des.	Part Number	Description
R1171	0613952R66	RES,MF,0OHM,5%,.0625W,SM,0402,PB-FREE	R2006	0613952R01	RES,MF,10KOHM,5%,.0625W,SM,0402,200PPM/CEL,PB-FREE	SH12	2675933B01	SHLD,SHIELD, IF AMP	U506	5164852H82	IC,MXR,IC, MIXER/ BFR
R1172	0613952Q89	RES,MF,4.7KOHM,5%,.0625W,SM,0402,200PPM/CEL,PB-FREE	R2007	0613952R01	RES,MF,10KOHM,5%,.0625W,SM,0402,200PPM/CEL,PB-FREE	SH13	2675870B01	SHLD,STL,SN PLT,SHIELD, HAR FLTR	U601	5102495J14	IC,IF,IF DIGITILIZING SUBSYSTEM IC,AD9864,QFN
R1174	0613952R01	RES,MF,10KOHM,5%,.0625W,SM,0402,200PPM/CEL,PB-FREE	R2008	0613952R01	RES,MF,10KOHM,5%,.0625W,SM,0402,200PPM/CEL,PB-FREE	SH14	2671905H01	SHLD,CAN,STL,15.32MMLG,8.3MM MW,2.35MM,SHIELD, REGLTR	U602	4885316E32	XSTR,BIP RF SML SGNL,SLCN, BFR380F,SM,SMT,6V,380W,80A, 14MHZ,TR
R1175	0613952R66	RES,MF,0OHM,5%,.0625W,SM,0402,PB-FREE	R2009	0613952R01	RES,MF,10KOHM,5%,.0625W,SM,0402,200PPM/CEL,PB-FREE	T503	2575851B01	XFMR,BALUN,RF XFMR BALUN	U603	5109522E84	IC,DUAL SCHMITT TRIG MICRO PAK
R1176	0613952Q73	RES,MF,1KOHM,5%,.0625W,SM,0402,200PPM/CEL,PB-FREE	R2010	0613952Q73	RES,MF,1KOHM,5%,.0625W,SM,0402,200PPM/CEL,PB-FREE	T504	2575851B01	XFMR,BALUN,RF XFMR BALUN	U604	5109522E84	IC,DUAL SCHMITT TRIG MICRO PAK
R1177	0613952R66	RES,MF,0OHM,5%,.0625W,SM,0402,PB-FREE	R2011	0613952Q73	RES,MF,1KOHM,5%,.0625W,SM,0402,200PPM/CEL,PB-FREE	T505	2575851B01	XFMR,BALUN,RF XFMR BALUN	U605	5164852H16	IC,TRANSLATING,2PER PKG, LVC2T45,TRANSCEIVER W/ VOLTAGE TRANSLATI
R1178	0613952R01	RES,MF,10KOHM,5%,.0625W,SM,0402,200PPM/CEL,PB-FREE	R2021	0613952R22	RES,MF,75KOHM,5%,.0625W,SM,0402,200PPM/CEL,PB-FREE	U101	51009861001	IC,SERIAL EEPROM,32/64 KBIT, DFN,EEPROM 32KBIT SER SPI BUS	U606	5164852H16	IC,TRANSLATING,2PER PKG, LVC2T45,TRANSCEIVER W/ VOLTAGE TRANSLATI
R1179	0613952R66	RES,MF,0OHM,5%,.0625W,SM,0402,PB-FREE	R2022	0613952R27	RES,MF,120KOHM,5%,.0625W,SM,0402,200PPM/CEL,PB-FREE	U200	5188493T01	IC,VREG/SWG,LP2989,SM,MINI SO-8 HI PRCN REG 5V	U607	5186311J24	IC,BFR,1PER PKG,NC7SZ125, ACTIVE HIGH,BFR,3ST,SM,5.5
R1180	0613952R66	RES,MF,0OHM,5%,.0625W,SM,0402,PB-FREE	R2023	0613952R01	RES,MF,10KOHM,5%,.0625W,SM,0402,200PPM/CEL,PB-FREE	U201	5175771A99	IC,LNR V REGLTR,FXD,100MA, VFBGA,LOW NOISE, 100MA LINEAR REGL	U702	5164015H28	IC,CUST,MULTI PROTOCOL/ BAND TRANSCVR IC,SM,BGA, TRIDENT, INTEG
R1181	NOT PLACED	-	R2024	0613952Q37	RES,MF,33OHM,5%,.0625W,SM,0402,200PPM/CEL,PB-FREE	U202	5175772B02	IC,LNR V REGLTR,FXD,1.8V, 100MA,VFBGA,LINEAR REGLTR 100MA 1.8	U703	5175772B06	IC,SERIAL INTERFACE I/O EXPANDER,QFN,24BITS,28-PORT I/O EXPA
R1182	0613952R01	RES,MF,10KOHM,5%,.0625W,SM,0402,200PPM/CEL,PB-FREE	R2025	0613952Q11	RES,MF,2.7OHM,5%,.0625W,SM,0402,200PPM/CEL,PB-FREE	U203	5175772B01	IC,LNR V REGLTR,FXD,1.5V, 350MA,VFBGA,LINEAR V REGLTR 350MA	U708	5171972L01	IC,SW,SP3T RF SW
R1183	0613952Q73	RES,MF,1KOHM,5%,.0625W,SM,0402,200PPM/CEL,PB-FREE	R2035	0613952Q75	RES,MF,1.2KOHM,5%,.0625W,SM,0402,200PPM/CEL,PB-FREE	U402	5180428L15	SW,RF SWITCH,SPDT,SMT,6W, 3V	U709	5171972L01	IC,SW,SP3T RF SW
R1184	0613952Q81	RES,MF,2.2KOHM,5%,.0625W,SM,0402,200PPM/CEL,PB-FREE	SH1	2675871B01	SHLD,STL,SN PLT,SHIELD, FGU	U403	5180428L15	SW,RF SWITCH,SPDT,SMT,6W, 3V	U710	5171972L01	IC,SW,SP3T RF SW
R1304	NOT PLACED	-	SH2	2675872B01	SHLD,STL,SN PLT,SHIELD, XTAL	U404	5180428L15	SW,RF SWITCH,SPDT,SMT,6W, 3V	U711	5171972L01	IC,SW,SP3T RF SW
R1307	0613952Q73	RES,MF,1KOHM,5%,.0625W,SM,0402,200PPM/CEL,PB-FREE	SH3	2675873B01	SHLD,STL,SN PLT,SHIELD, ABACUS	U405	5180428L15	SW,RF SWITCH,SPDT,SMT,6W, 3V	U746	4805218N63	XSTR,GEN PURPOSE SMALL SIG,SOT-323,BROADBAND & XSTR BF
R1601	0613952Q96	RES,MF,9.1KOHM,5%,.0625W,SM,0402,200PPM/CEL,PB-FREE	SH4	2675878B01	SHLD,STL,SN PLT,SHIELD, FRNT END	U406	4885316E32	XSTR,BIP RF SML SGNL,SLCN, BFR380F,SM,SMT,6V,380W,80A, 14MHZ,TR	U1001	5175143H01	IC,WIDE SPLY RANGE OP AMP
R1602	0613952R01	RES,MF,10KOHM,5%,.0625W,SM,0402,200PPM/CEL,PB-FREE	SH5	2675879B01	SHLD,STL,SN PLT,SHIELD, DRVR PA	U407	4885316E32	XSTR,BIP RF SML SGNL,SLCN, BFR380F,SM,SMT,6V,380W,80A, 14MHZ,TR	U1002	5115678H01	IC,RF AMPLIFIER,BGA, TSSOP16EP,30MHZMIN,941MHZ MAX,VHF/UHF/800
R1603	0613952R08	RES,MF,20KOHM,5%,.0625W,SM,0402,200PPM/CEL,PB-FREE	SH6	2675876B01	SHLD,STL,SN PLT,SHIELD, VCO	U408	5103535B53	IC,INVTR,DL,NC7WZ04L6X,2PE R PKG,SC70	U1101	5188032U43	IC,SENSING CIRCUIT,INA138, SM,SOT-23/5,1PER PKG,PB FREE
R1604	0613952R13	RES,MF,33KOHM,5%,.0625W,SM,0402,200PPM/CEL,PB-FREE	SH7	2675874B01	SHLD,STL,SN PLT,SHIELD, MXR	U501	5180428L15	SW,RF SWITCH,SPDT,SMT, 6W,3V	U1102	5175772B03	RF SWITCH,RF SWITCH,10W, RECONFIGURABLE 10W SP5T/ 3T RF SWITC
R1605	0613952Q73	RES,MF,1KOHM,5%,.0625W,SM,0402,200PPM/CEL,PB-FREE	SH8	2675932B01	SHLD,SHIELD, 2ND LO VCO	U502	5103535B53	IC,INVTR,DL,NC7WZ04L6X,2PE R PKG,SC70	U1103	5185070Y01	IC,TEMP SENS
R1606	0613952H61	RES,MF,330OHM,5%,.1W,SM,0603,200PPM/CEL,PB-FREE	SH9	2675934B01	SHLD,SHIELD, DC						
R1801	0685524Y01	RES,0OHM	SH10	2675859B01	SHLD,STL,SN PLT,SHIELD, OUT MATCH						
			SH11	2675877B01	SHLD,STL,SN PLT,SHIELD, ALC						

Notes

8.5 Transceiver (RF) Boards: UHF1/VHF

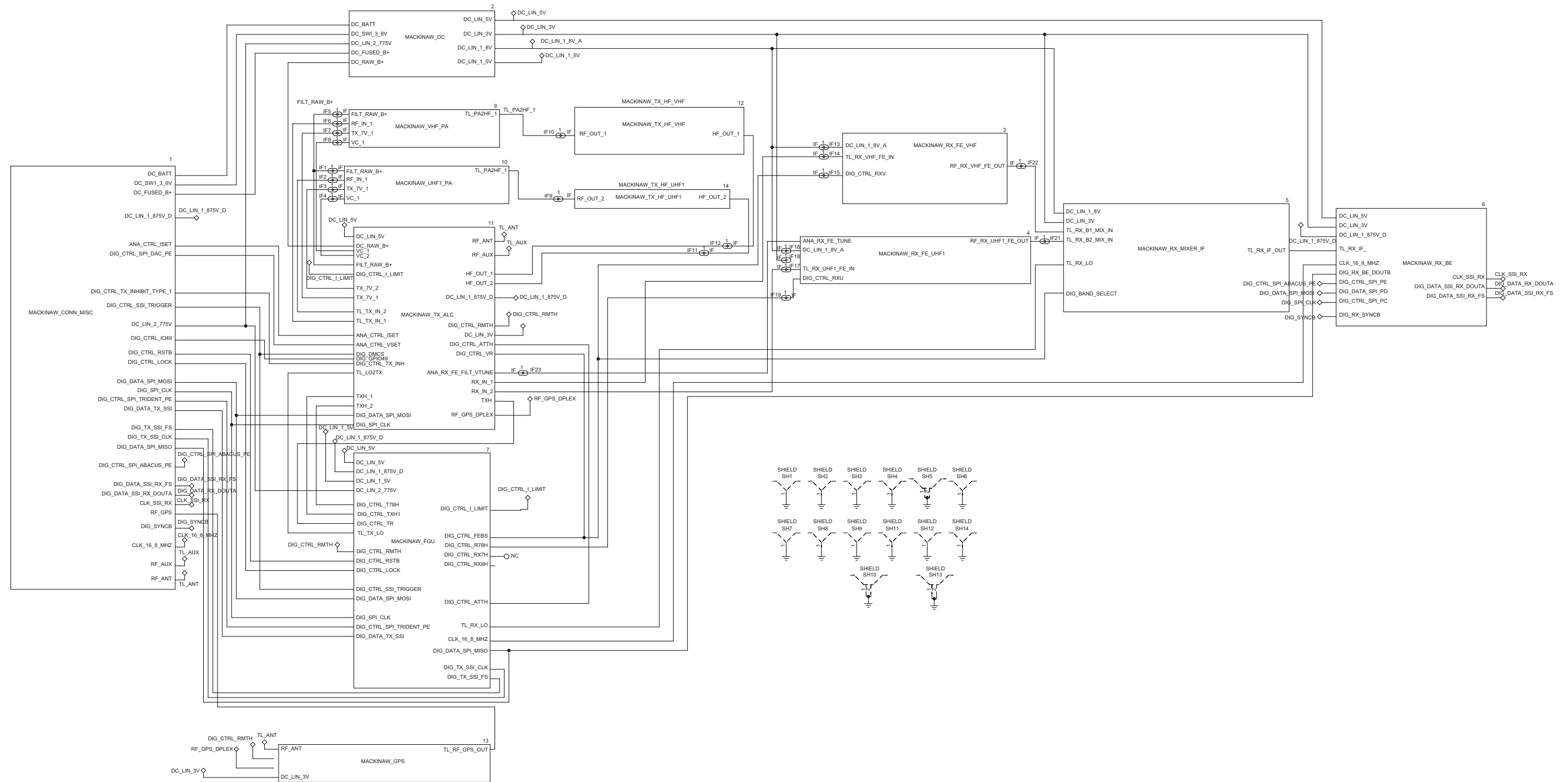


Figure 8-42. MNUT4000A/C/E Transceiver (RF) Board Overall Circuit Schematic

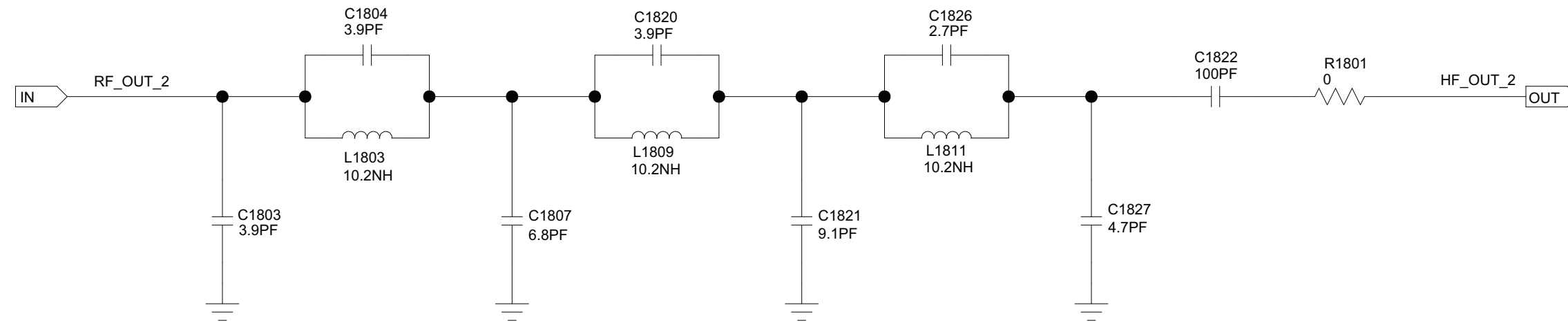


Figure 8-43. MNUT4000A/C/E UHF1 Harmonic Filter Circuit

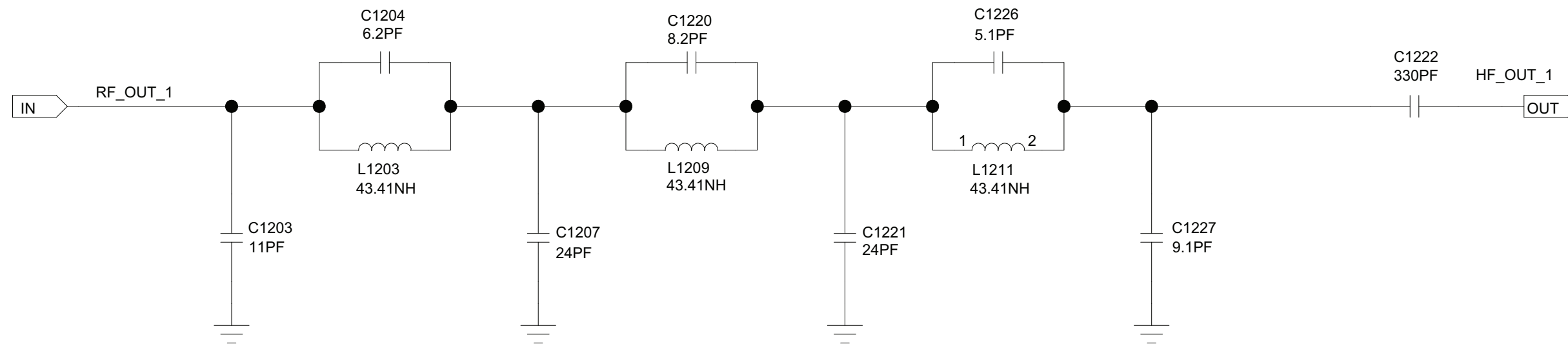


Figure 8-44. MNUT4000A/C/E VHF MHz Harmonic Filter Circuit

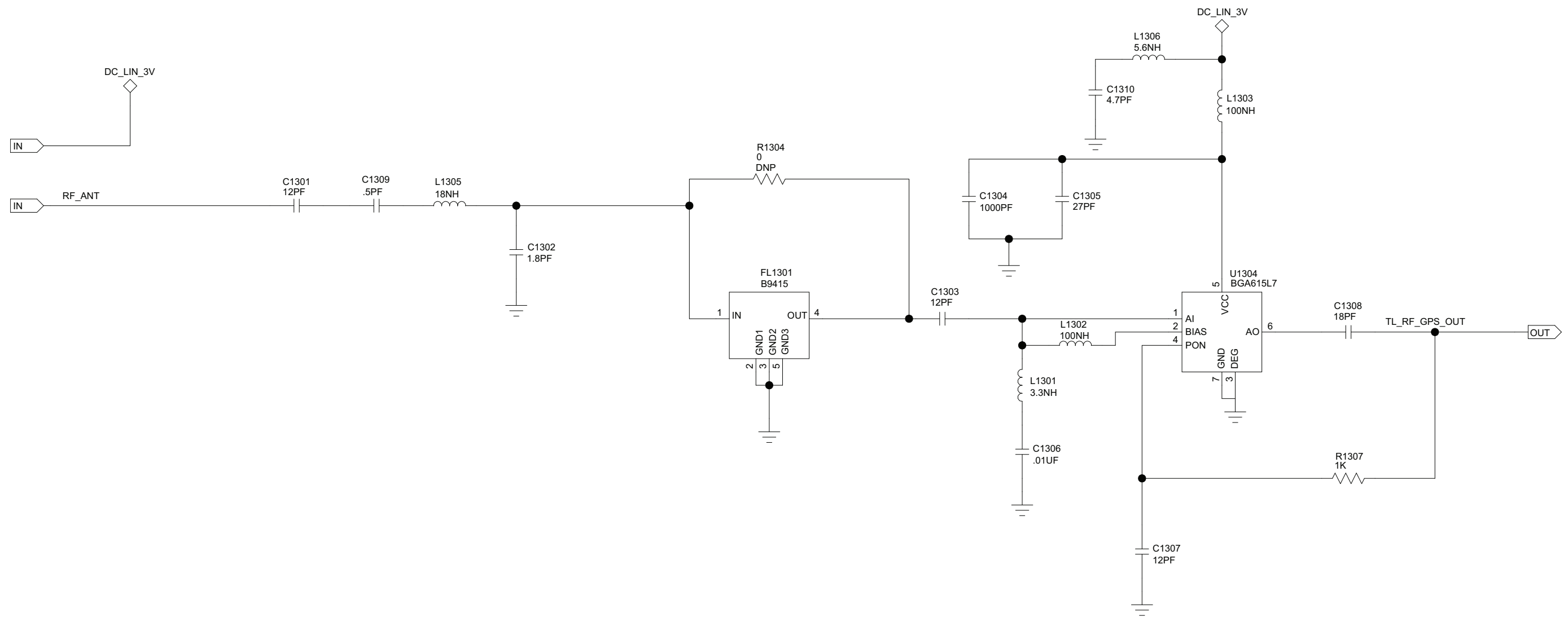


Figure 8-45. MNUT4000A/C/E GPS Circuit

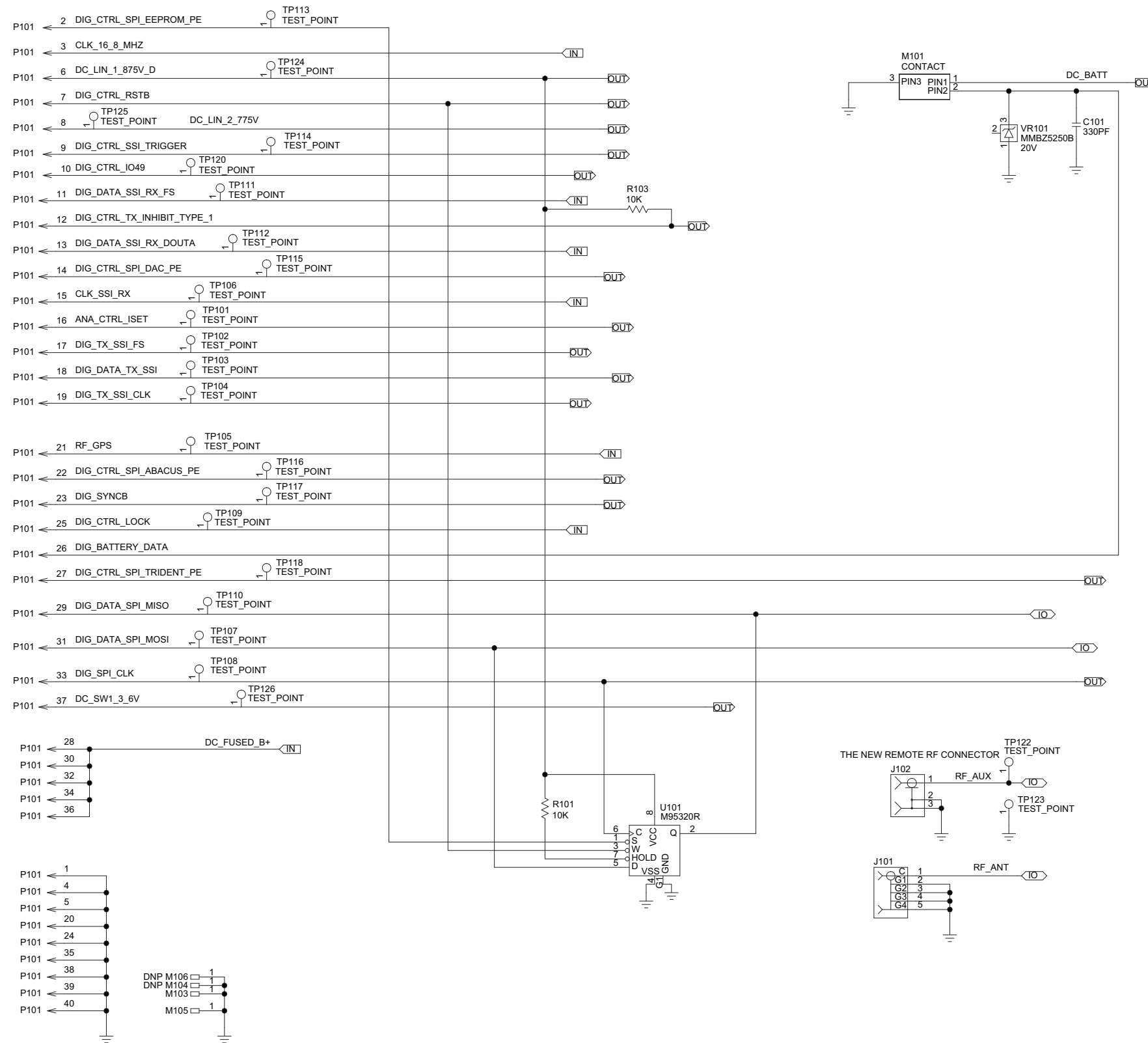


Figure 8-46. MNUT4000A/C/E Miscellaneous Connector Circuit

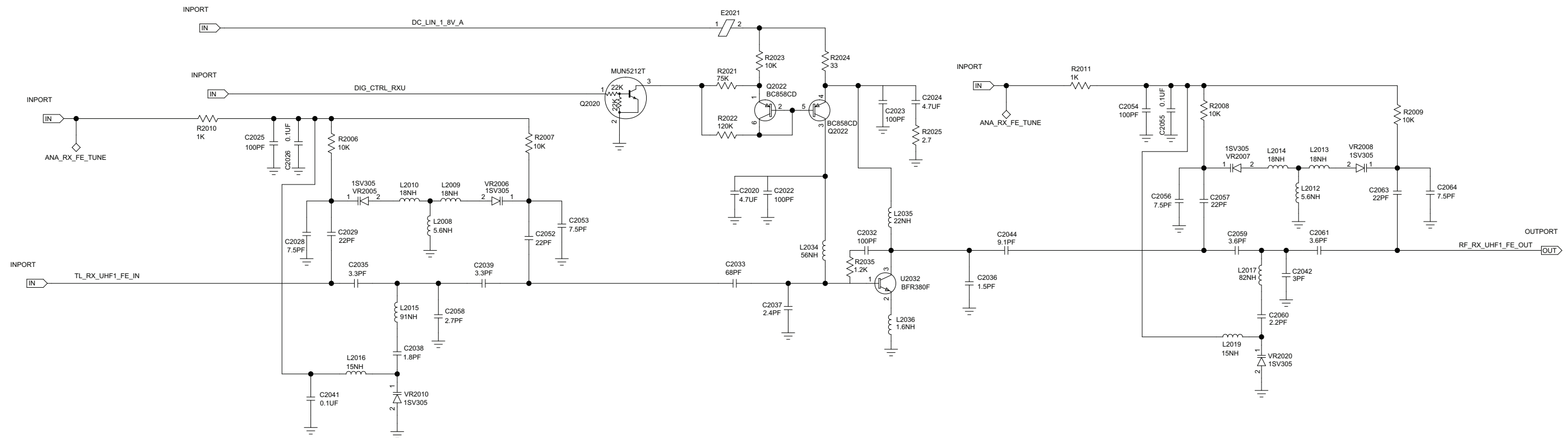


Figure 8-47. MNUT4000A/C/E UHF1 Receiver Front End Circuit

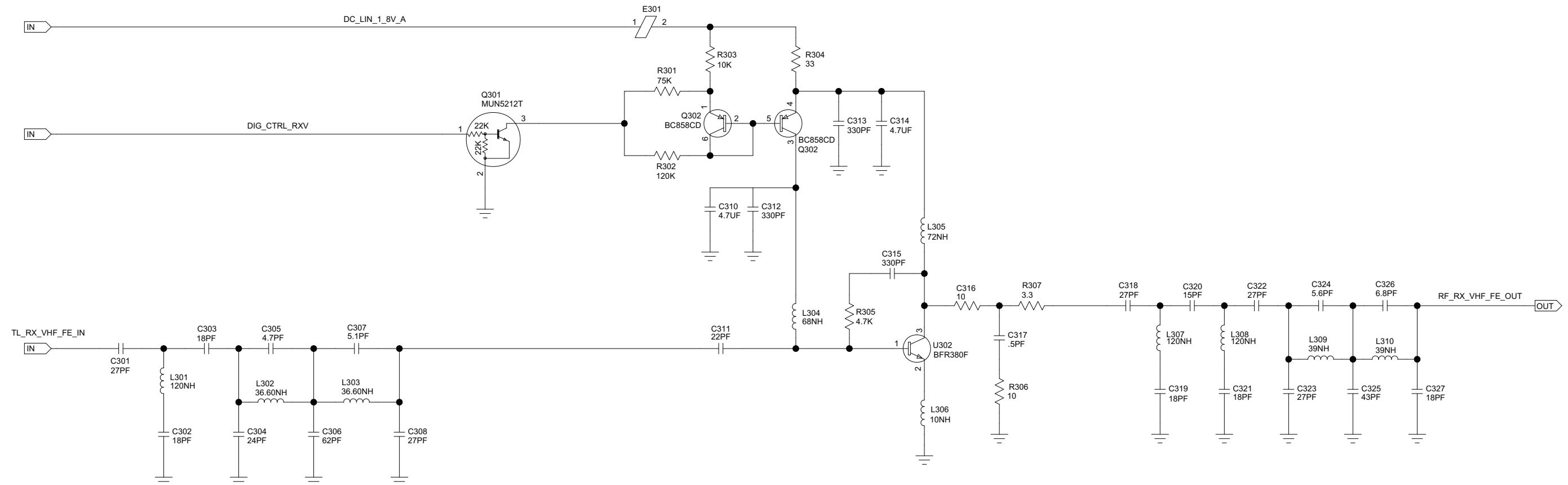


Figure 8-48. MNUT4000A/C/E VHF Receiver Front End Circuit

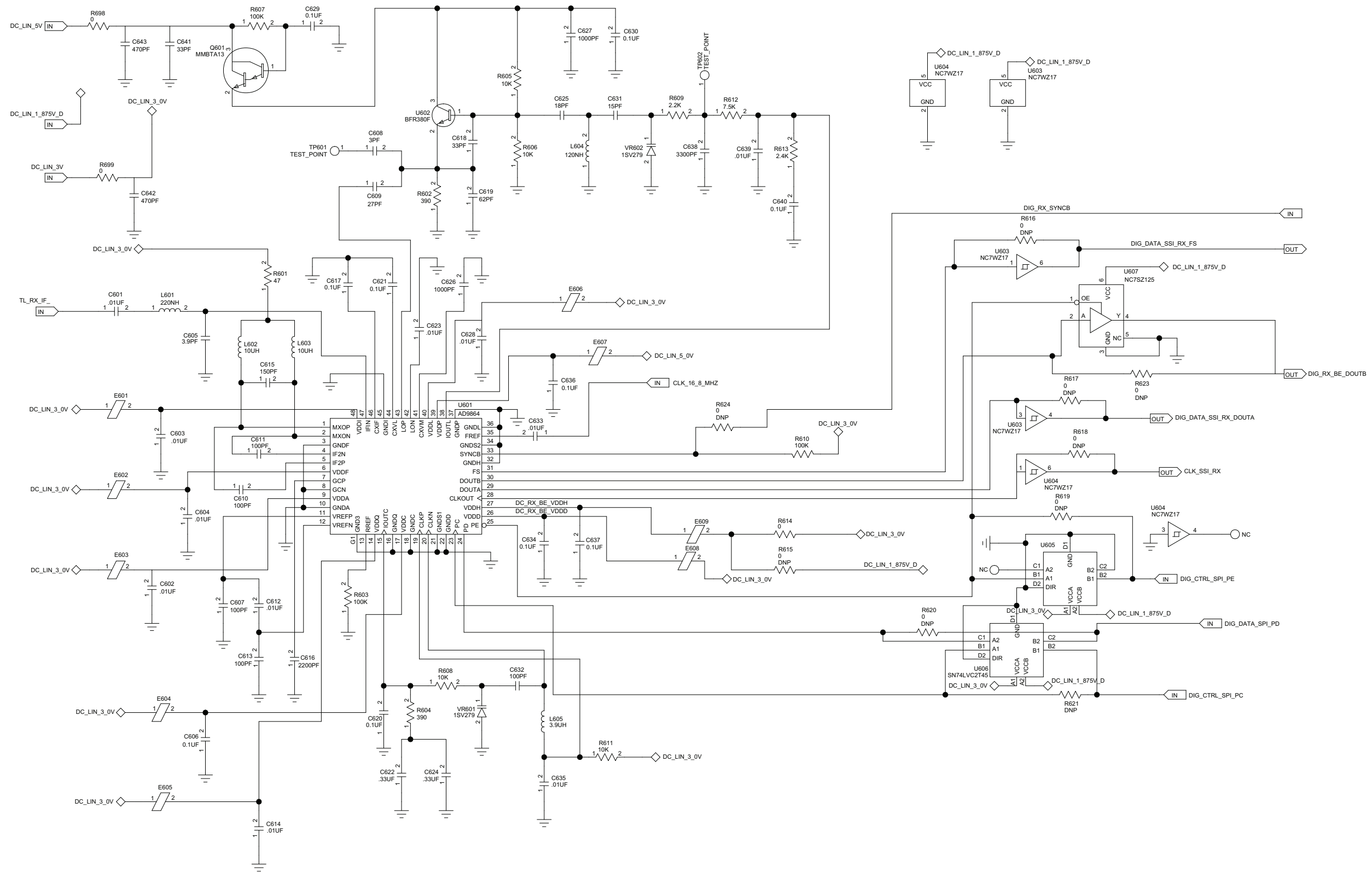


Figure 8-49. MNUT4000A/C Receiver Back End Circuit

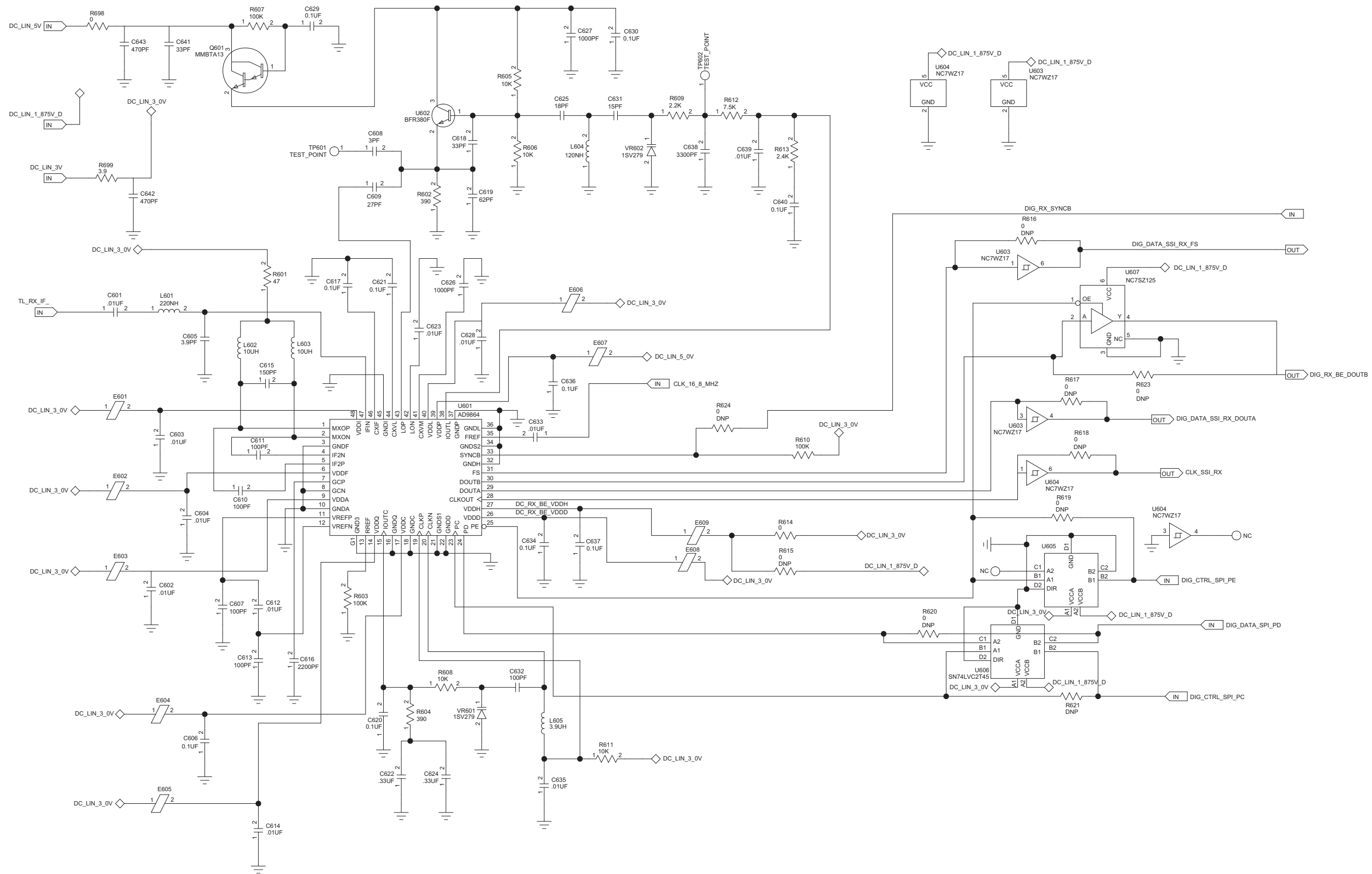


Figure 8-50. MNUT4000E Receiver Back End Circuit

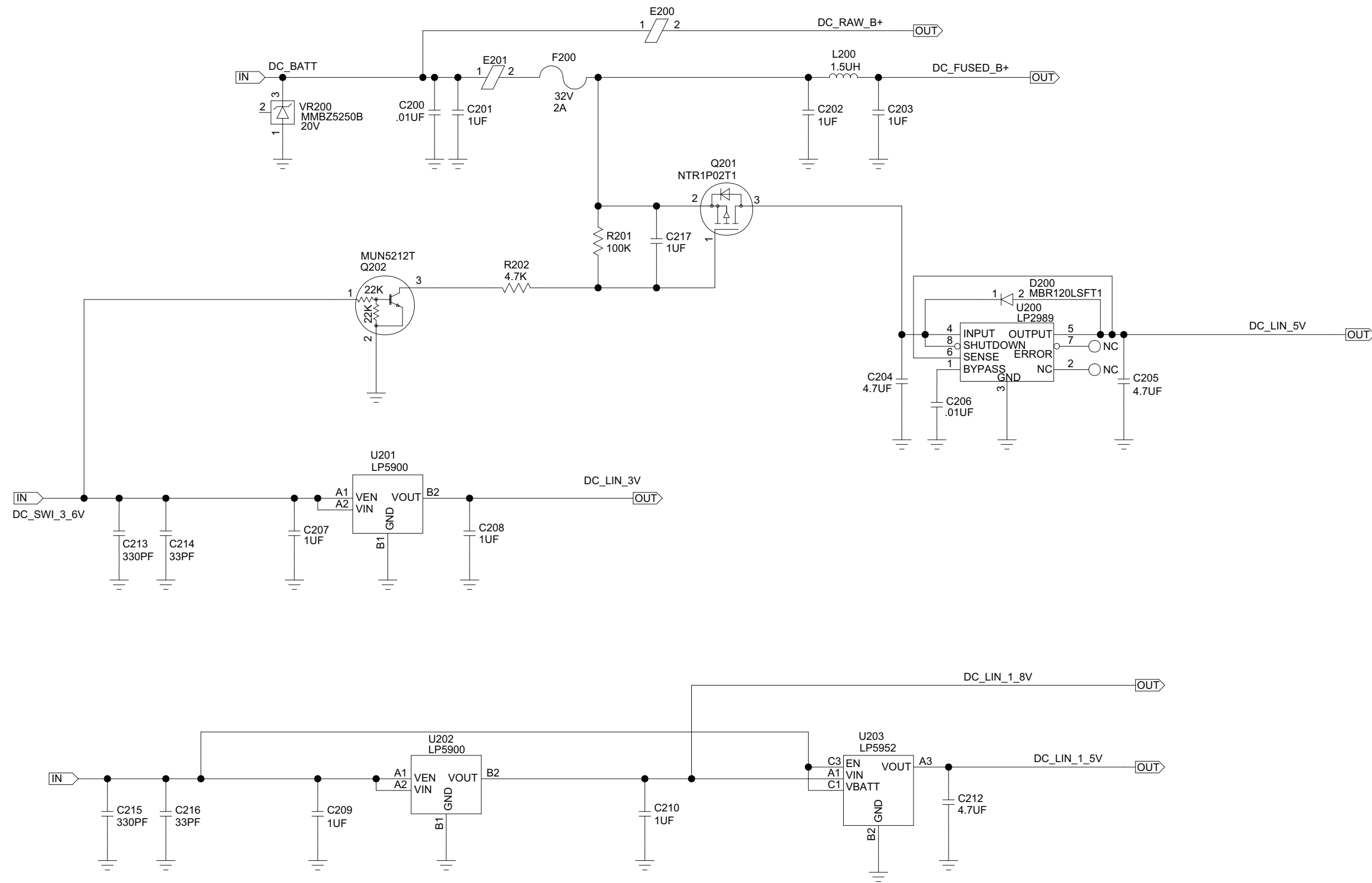


Figure 8-51. MNUT4000A/C/E DC Power Circuit

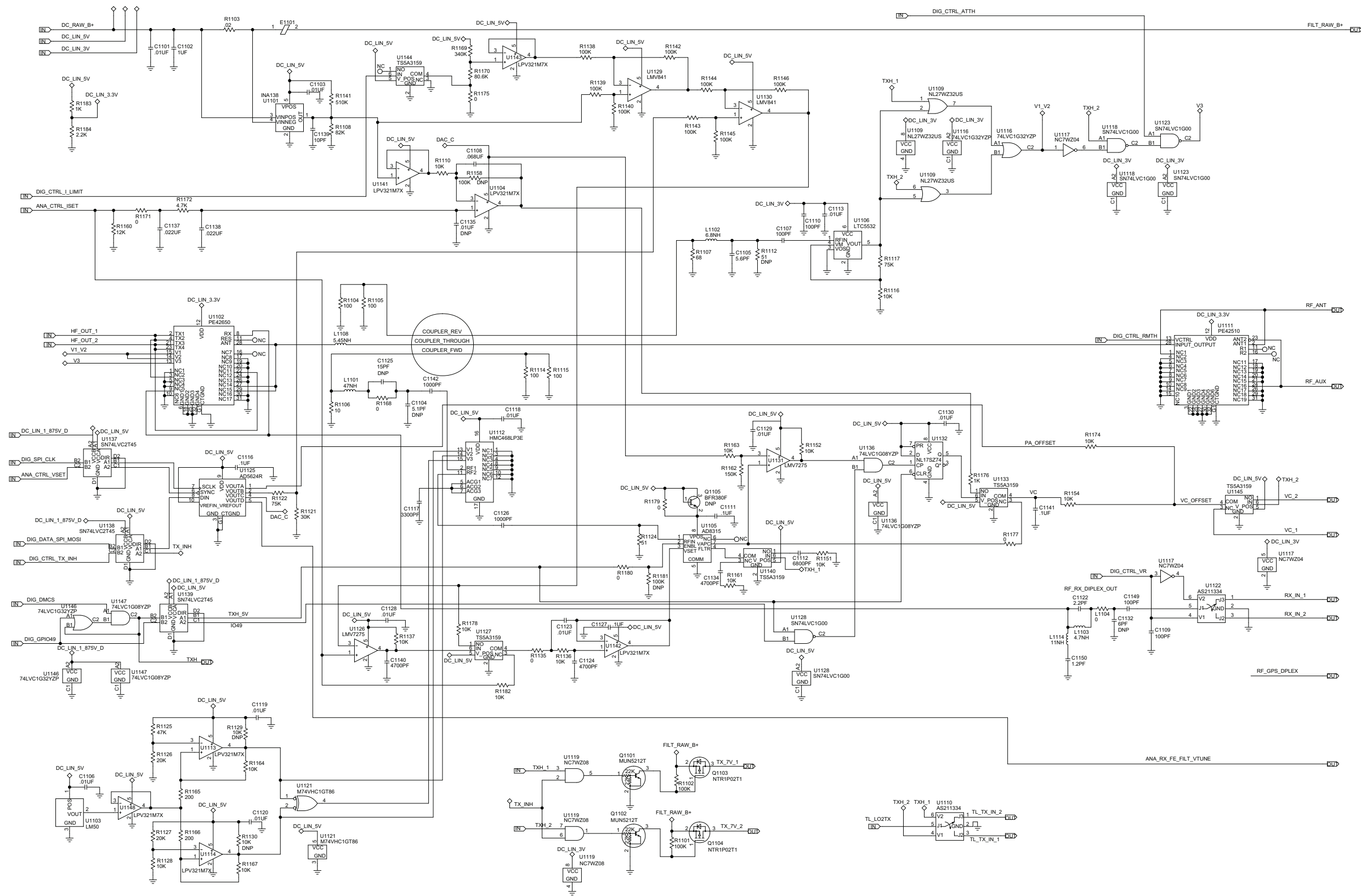


Figure 8-52. MNUT4000A/C/E Transmitter and Automatic Level Control Circuits

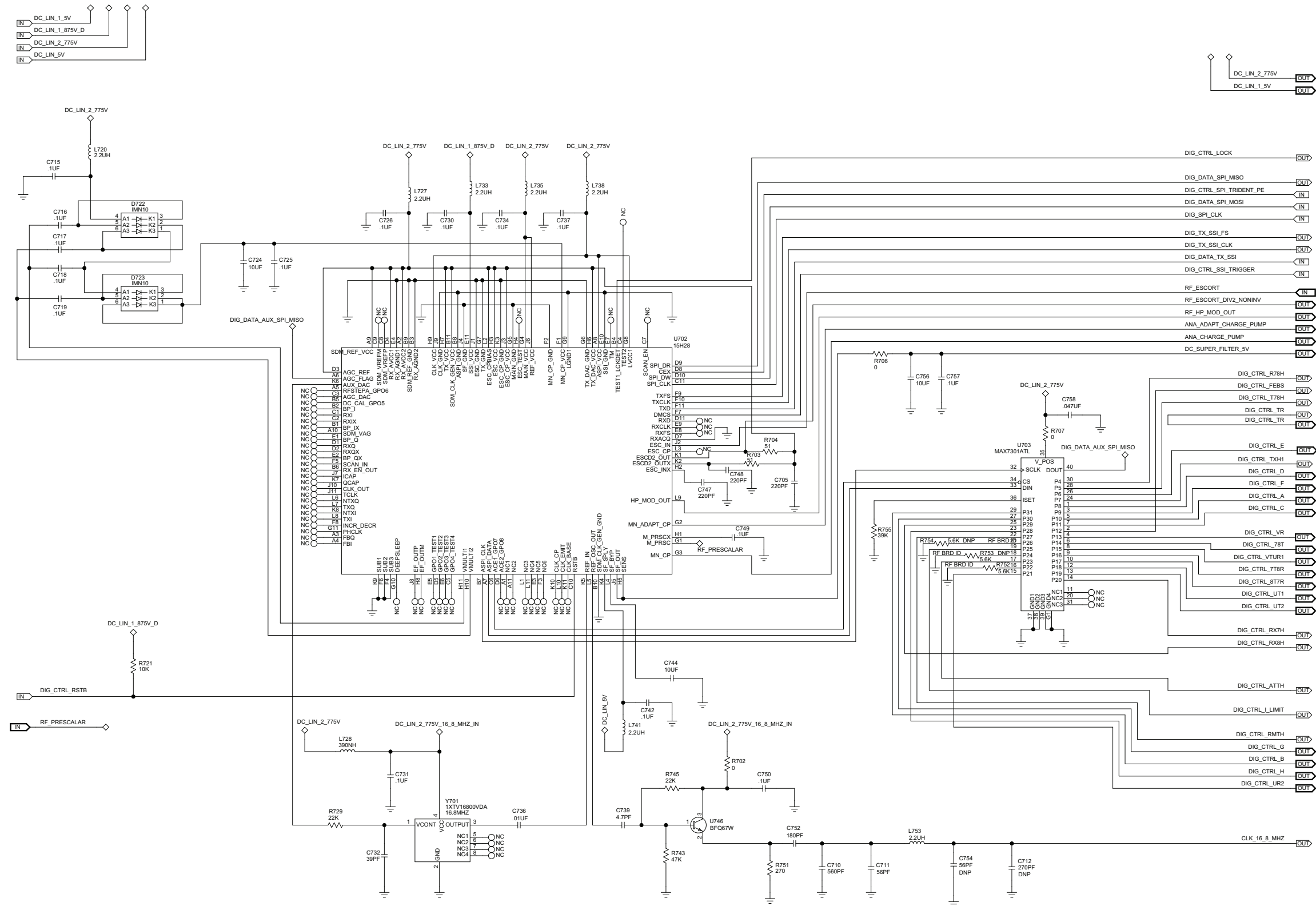


Figure 8-53. MNUT4000A/C/E Frequency Generation Unit (Synthesizer) Circuit – 1 of 2

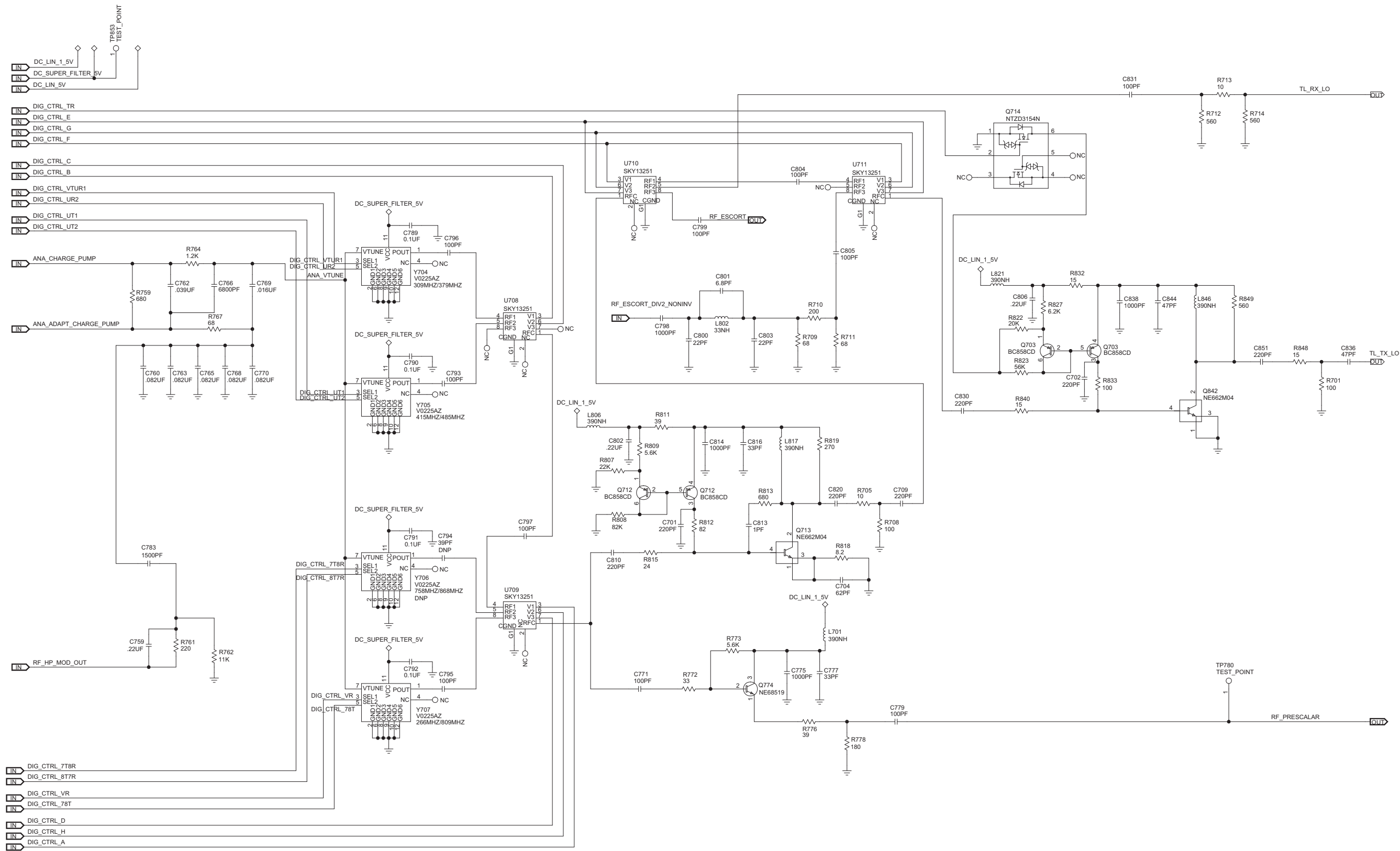


Figure 8-54. MNUT4000A/C/E Frequency Generation Unit (VCO) Circuit – 2 of 2

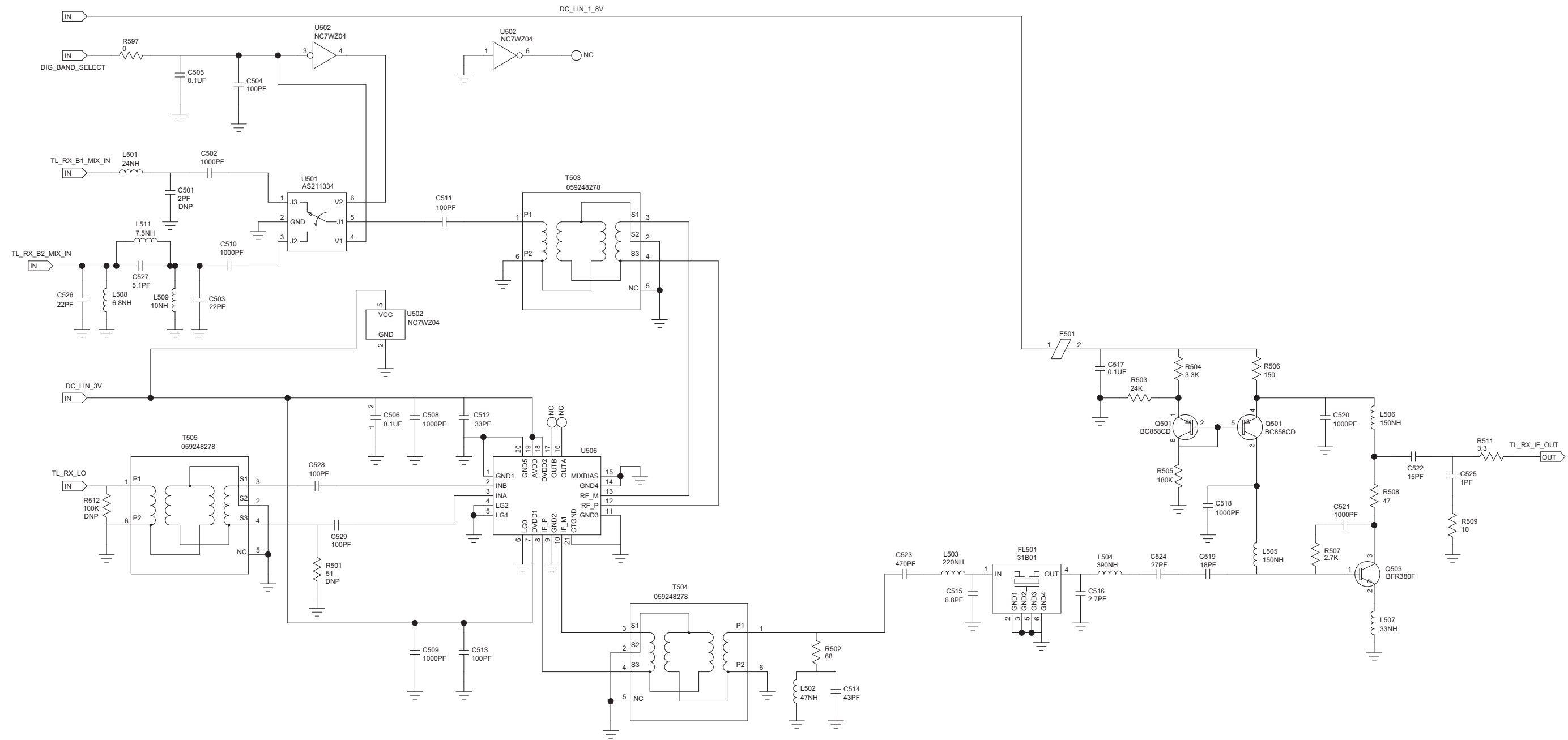


Figure 8-55. MNUT4000A/C/E Mixer and IF Filter Circuits

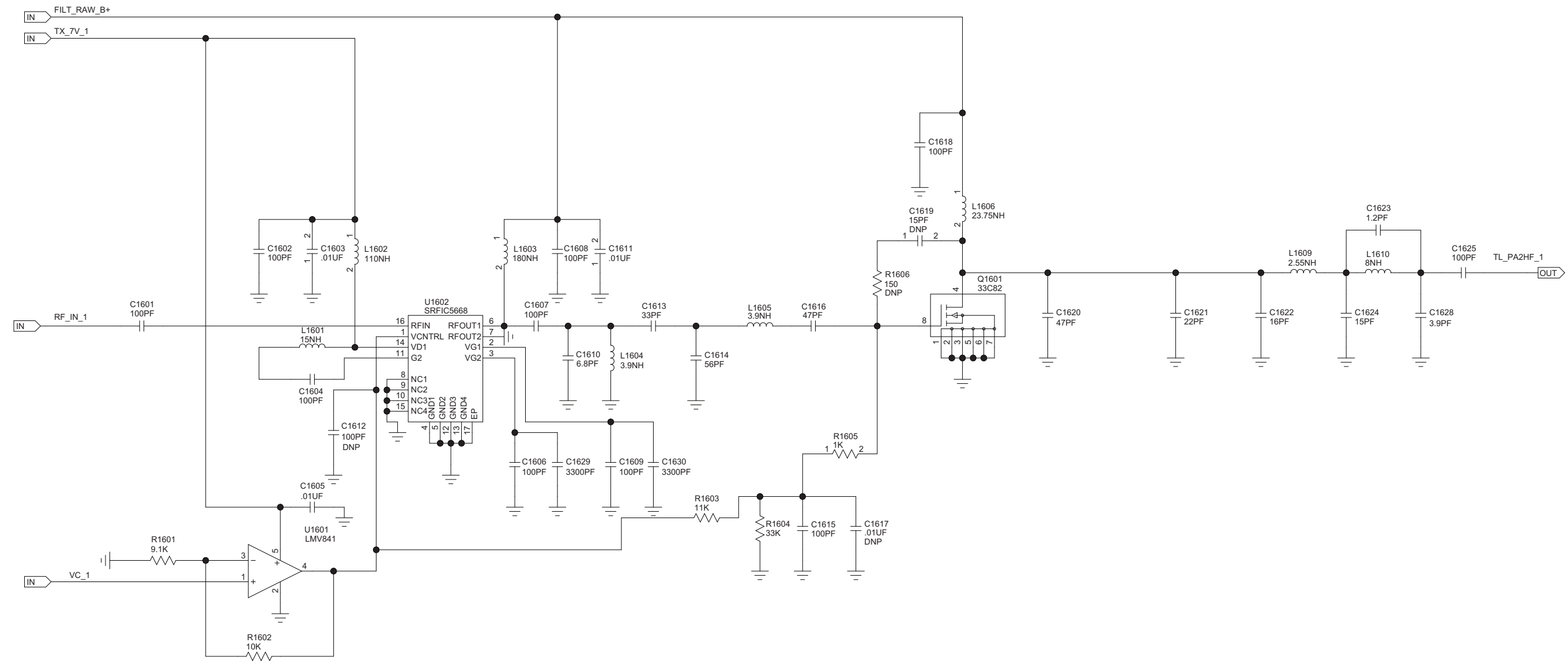


Figure 8-56. MNUT4000A UHF1 Power Amplifier Circuit

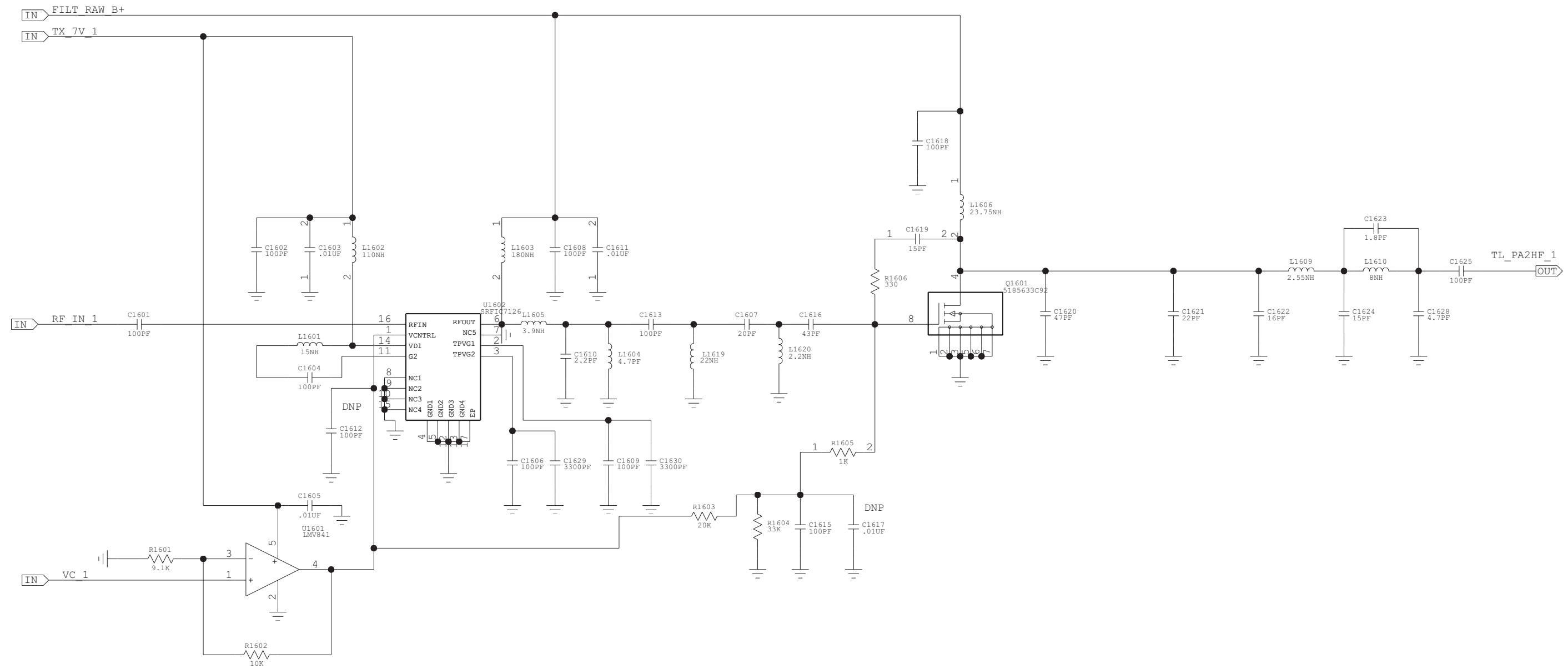


Figure 8-57. MNUT4000C/E UHF1 Power Amplified Circuit

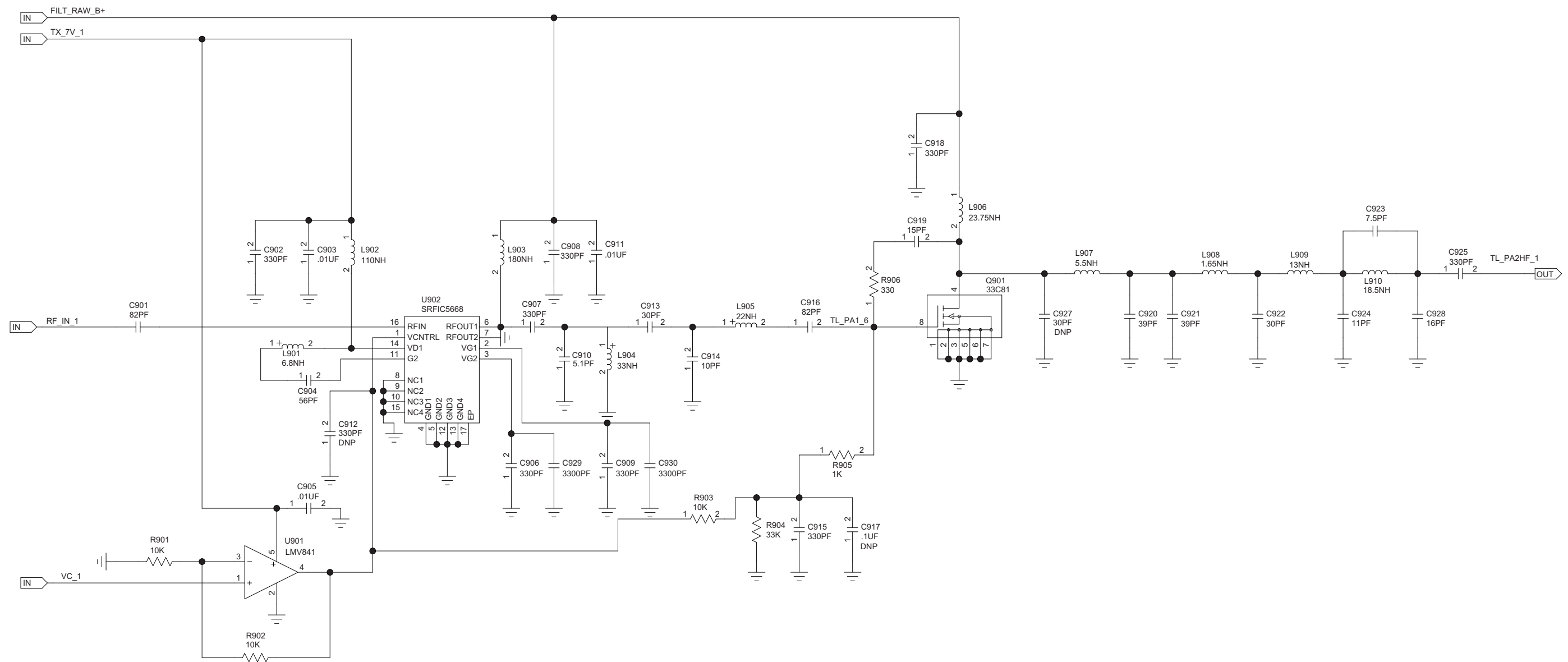


Figure 8-58. MNUT4000A/C/E VHF Power Amplifier Circuit

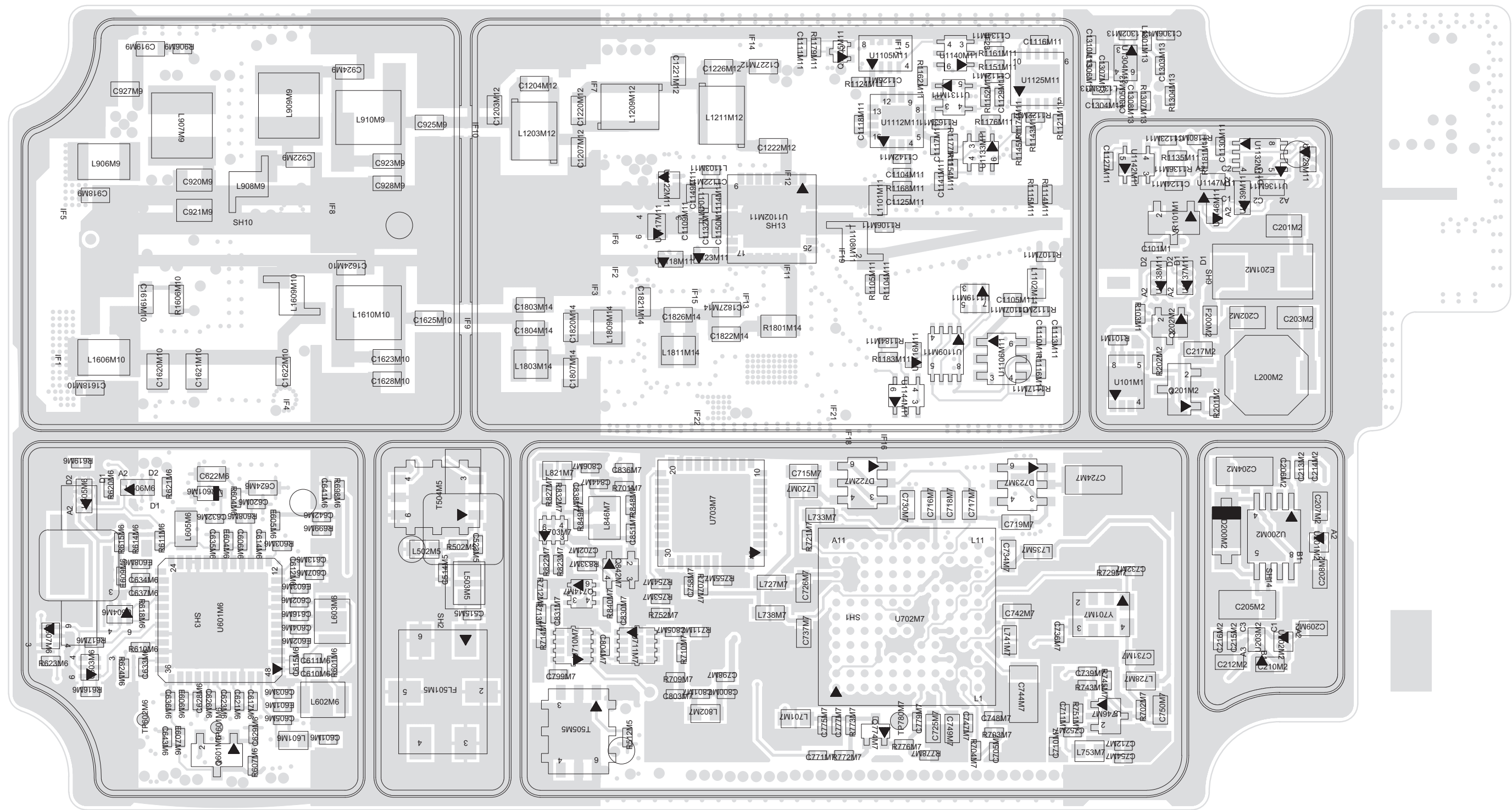


Figure 8-61. MNUT400C/E Transceiver (RF) Board Layout – Side 1

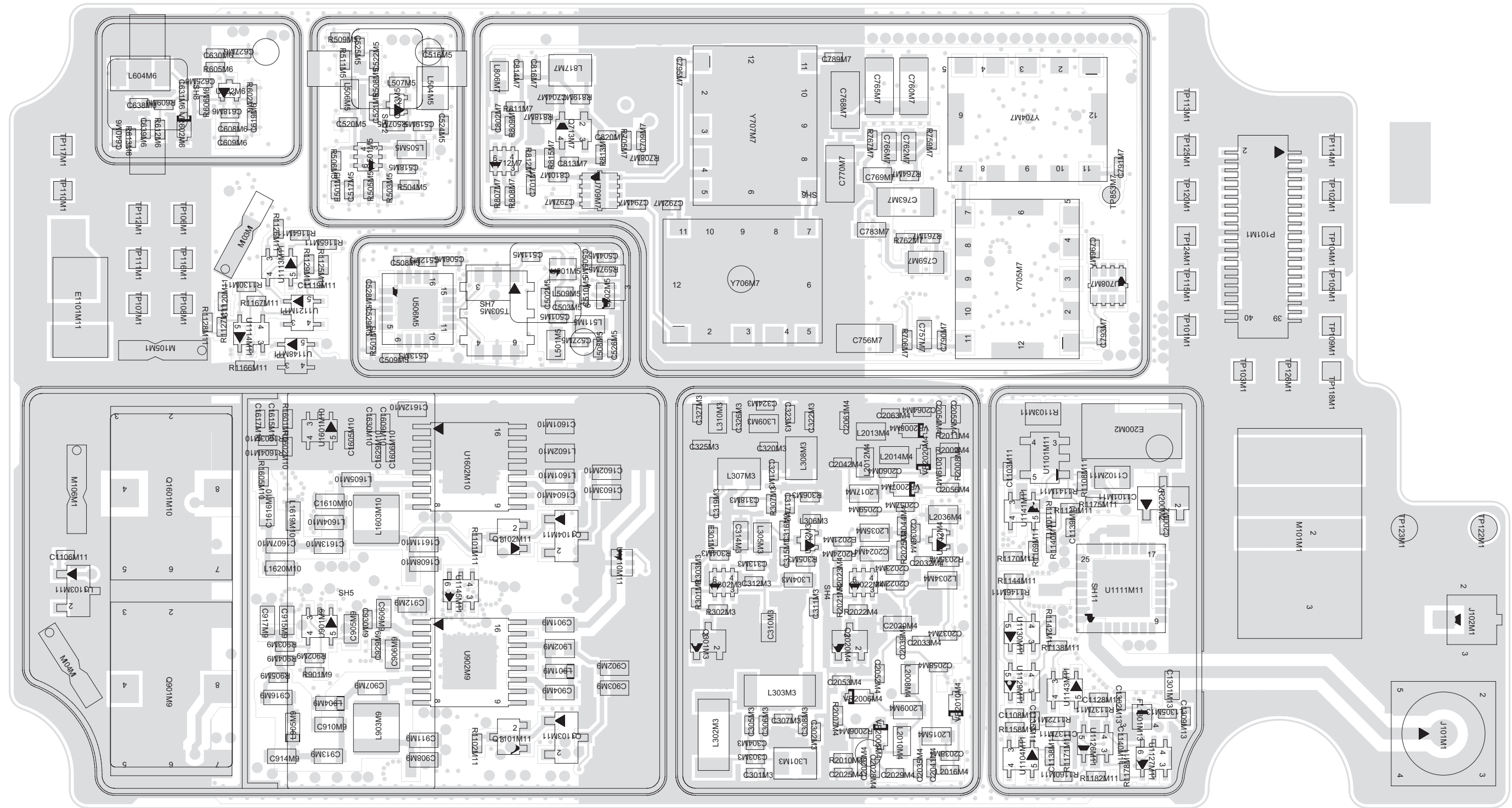


Figure 8-62. MNUT4000C/E Transceiver (RF) Board Layout – Side 2

MNUT4000A UHF1/VHF Transceiver (RF)
Board Parts List

Ref. Des.	Part Number	Description
C101	2113944A46	CAP CER CHP 330.0 PF 50V 5%
C1101	2113945B02	CAP CER CHP 10,000PF 25V 10%
C1102	2188468Y01	CAP CER 25V X7R 0805 1UF
C1103	2113945B02	CAP CER CHP 10,000PF 25V 10%
C1104	NOT PLACED	-
C1105	2113944A19	CAP CER CHP 5.6PF 50V +/- 0.5PF
C1106	2113945B02	CAP CER CHP 10,000PF 25V 10%
C1107	2113944A40	CAP CER CHP 100.0PF 50V 5%
C1108	2113946B03	CAP CER CHP 0.068UF 10V 10
C1109	2113944A40	CAP CER CHP 100.0PF 50V 5%
C1110	2113944A40	CAP CER CHP 100.0PF 50V 5%
C1111	2113945Y02	CAP,FXD,.1UF,+10%,-10%,16V-DC,0402,X7R,-55DEG CMIN, 125DEG CMAX
C1112	2113945B01	CAP CER CHP 6800PF 25V 10%
C1113	2113945B02	CAP CER CHP 10,000PF 25V 10%
C1116	2113945Y02	CAP,FXD,.1UF,+10%,-10%,16V-DC,0402,X7R,-55DEG CMIN, 125DEG CMAX
C1117	2113945A12	CAP CER CHP 3300PF 50V 10%
C1118	2113945B02	CAP CER CHP 10,000PF 25V 10%
C1119	2113945B02	CAP CER CHP 10,000PF 25V 10%
C1120	2113945B02	CAP CER CHP 10,000PF 25V 10%
C1122	2175390H01	CAP, 2.2 PF, 0402, CERAMIC, 50V
C1123	2113945B02	CAP CER CHP 10,000PF 25V 10%
C1124	2113945A13	CAP CER CHP 4700PF 50V 10%
C1125	NOT PLACED	-
C1126	2113945A09	CAP CER CHP 1000PF 50V 10%
C1127	2113945Y02	CAP,FXD,.1UF,+10%,-10%,16V-DC,0402,X7R,-55DEG CMIN, 125DEG CMAX

Ref. Des.	Part Number	Description
C1128	2113945B02	CAP CER CHP 10,000PF 25V 10%
C1129	2113945B02	CAP CER CHP 10,000PF 25V 10%
C1130	2113945B02	CAP CER CHP 10,000PF 25V 10%
C1132	NOT PLACED	-
C1134	2113945A13	CAP CER CHP 4700PF 50V 10%
C1135	NOT PLACED	-
C1137	2113945B04	CAP,FXD,.022UF,+10%,-10%, 25V-DC,0402,X7R,-55DEG CMIN,125DEG CMA
C1138	2113945B04	CAP,FXD,.022UF,+10%,-10%, 25V-DC,0402,X7R,-55DEG CMIN,125DEG CMA
C1139	2113944A25	CAP CER CHP 10.0PF 50V +/- 0.5PF
C1140	2113945A13	CAP CER CHP 4700PF 50V 10%
C1141	2113945Y02	CAP,FXD,.1UF,+10%,-10%,16V-DC,0402,X7R,-55DEG CMIN, 125DEG CMAX
C1142	2113945A09	CAP CER CHP 1000PF 50V 10%
C1149	2113944A40	CAP CER CHP 100.0PF 50V 5%
C1150	2175392H01	CAP, 1.2PF, 0402, CERAMIC, 50V
C1203	2113944M19	CAP,FXD,11PF,+2%,-2%,50V-DC,0603,C0G,-55DEG CMIN, 125DEG CMAX,PB
C1204	2113944M13	CAP,FXD,6.2PF,.1PF+/-,50V-DC, 0603,C0G,-55DEG CMIN, 125DEG CMAX
C1207	2113944M27	CAP,FXD,24PF,+2%,-2%,50V-DC, 0603,C0G,-55DEG CMIN, 125DEG CMAX,PB
C1220	2113944M16	CAP,FXD,8.2PF,.1PF+/-,50V-DC, 0603,C0G,-55DEG CMIN, 125DEG CMAX
C1221	2113944M27	CAP,FXD,24PF,+2%,-2%,50V-DC, 0603,C0G,-55DEG CMIN, 125DEG CMAX,PB
C1222	2113944C04	CAP CER CHP 330.0PF 50V 5%
C1226	2113944M11	CAP,FXD,5.1PF,.1PF+/-,50V-DC, 0603,C0G,-55DEG CMIN, 125DEG CMAX
C1227	2113944M17	CAP,FXD,9.1PF,.1PF+/-,50V-DC, 0603,C0G,-55DEG CMIN, 125DEG CMAX

Ref. Des.	Part Number	Description
C1301	2113944M20	CAP,FXD,12PF,+2%,-2%,50V-DC, 0603,C0G,-55DEG CMIN, 125DEG CMAX,PB
C1302	2114036F74	CAP,FXD,1.8PF,.05PF+/-,25V-DC, 0402,C0G,-55DEG CMIN, 125DEG CMAX
C1303	2113944A26	CAP CER CHP 12.0PF 50V 5%
C1304	2113945A09	CAP CER CHP 1000PF 50V 10%
C1305	2113944A30	CAP CER CHP 27.0PF 50V 5%
C1306	2113945B02	CAP CER CHP 10,000PF 25V 10%
C1307	2113944A26	CAP CER CHP 12.0PF 50V 5%
C1308	2113944A28	CAP CER CHP 18.0PF 50V 5%
C1309	2175389H01	CAP,.5PF, CHIP, 0402, CERAMIC, 50 V
C1310	2113944A17	CAP CER CHP 4.7PF 50V +/- 0.25PF
C1601	2113944M42	CAP,FXD,100PF,+2%,-2%,50V-DC,0603,C0G,-55DEG CMIN, 125DEG CMAX,P
C1602	2113944M42	CAP,FXD,100PF,+2%,-2%,50V-DC,0603,C0G,-55DEG CMIN, 125DEG CMAX,P
C1603	2113945L49	CAP,FXD,.01UF,+5%,-5%,50V-DC,0603,X7R,-55DEG CMIN, 125DEG CMAX,P
C1604	2113944M42	CAP,FXD,100PF,+2%,-2%,50V-DC,0603,C0G,-55DEG CMIN, 125DEG CMAX,P
C1605	2113945B02	CAP CER CHP 10,000PF 25V 10%
C1606	2113944A40	CAP CER CHP 100.0PF 50V 5%
C1607	2113944M42	CAP,FXD,100PF,+2%,-2%,50V-DC,0603,C0G,-55DEG CMIN, 125DEG CMAX,P
C1608	2113944M42	CAP,FXD,100PF,+2%,-2%,50V-DC,0603,C0G,-55DEG CMIN, 125DEG CMAX,P
C1609	2113944A40	CAP CER CHP 100.0PF 50V 5%
C1610	2113944M14	CAP,FXD,6.8PF,.1PF+/-,50V-DC, 0603,C0G,-55DEG CMIN, 125DEG CMAX
C1611	2113945L49	CAP,FXD,.01UF,+5%,-5%,50V-DC,0603,X7R,-55DEG CMIN, 125DEG CMAX,P
C1612	NOT PLACED	-

Ref. Des.	Part Number	Description
C1613	2113944M30	CAP,FXD,33PF,+2%,-2%,50V-DC, 0603,C0G,-55DEG CMIN, 125DEG CMAX,PB
C1614	2113944M36	CAP,FXD,56PF,+2%,-2%,50V-DC, 0603,C0G,-55DEG CMIN, 125DEG CMAX,PB
C1615	2113944A40	CAP CER CHP 100.0PF 50V 5%
C1616	2113944M34	CAP,FXD,47PF,+2%,-2%,50V-DC, 0603,C0G,-55DEG CMIN, 125DEG CMAX,PB
C1617	NOT PLACED	-
C1618	2113944M42	CAP,FXD,100PF,+2%,-2%,50V-DC,0603,C0G,-55DEG CMIN, 125DEG CMAX,P
C1619	NOT PLACED	-
C1620	2171741M01	HIGH Q CAP
C1621	2171741M08	HIGH Q CAP, 22 PF
C1622	2113944M23	CAP,FXD,16PF,+2%,-2%,50V-DC, 0603,C0G,-55DEG CMIN, 125DEG CMAX,PB
C1623	2113944C08	CAP CER CHP 1.2PF 50V +/- 0.25PF
C1624	2113944M22	CAP,FXD,15PF,+2%,-2%,50V-DC, 0603,C0G,-55DEG CMIN, 125DEG CMAX,PB
C1625	2113944M42	CAP,FXD,100PF,+2%,-2%,50V-DC,0603,C0G,-55DEG CMIN, 125DEG CMAX,P
C1628	2113944M08	CAP,FXD,3.9PF,.1PF+/-,50V-DC, 0603,C0G,-55DEG CMIN, 125DEG CMAX
C1629	2113945A12	CAP CER CHP 3300PF 50V 10%
C1630	2113945A12	CAP CER CHP 3300PF 50V 10%
C1803	2113944M08	CAP,FXD,3.9PF,.1PF+/-,50V-DC, 0603,C0G,-55DEG CMIN, 125DEG CMAX
C1804	2113944M08	CAP,FXD,3.9PF,.1PF+/-,50V-DC, 0603,C0G,-55DEG CMIN, 125DEG CMAX
C1807	2113944M14	CAP,FXD,6.8PF,.1PF+/-,50V-DC, 0603,C0G,-55DEG CMIN, 125DEG CMAX
C1820	2113944M08	CAP,FXD,3.9PF,.1PF+/-,50V-DC, 0603,C0G,-55DEG CMIN, 125DEG CMAX

Ref. Des.	Part Number	Description	Ref. Des.	Part Number	Description	Ref. Des.	Part Number	Description	Ref. Des.	Part Number	Description
C1821	2113944M17	CAP,FXD,9.1PF,.1PF+/-,50V-DC,0603,C0G,-55DEG CMIN,125DEG CMAX	C205	2113955D35	CAP,FXD,4.7UF,+10%,-10%,16V-DC,1206,X7R,-55DEG CMIN,125DEG CMAX	C303	2113944A28	CAP CER CHP 18.0PF 50V 5%	C506	2113946B04	CAP CER CHP 0.10UF 10V 10%
C1822	2113944M42	CAP,FXD,100PF,+2%,-2%,50V-DC,0603,C0G,-55DEG CMIN,125DEG CMAX,P	C2052	2115153H41	CAP,CERAMIC CHIP,22PF,+1%,-1%,50V-	C304	2113944A81	CAP,FXD,24PF,+5%,-5%,50V-DC,0402,C0G,-55DEG CMIN,125DEG CMAX,PB	C508	2113945A09	CAP CER CHP 1000PF 50V 10%
C1826	2113944M04	CAP,FXD,2.7PF,.1PF+/-,50V-DC,0603,C0G,-55DEG CMIN,125DEG CMAX	C2053	2115153H24	CAP,CERAMIC,COG	C305	2113944A17	CAP CER CHP 4.7PF 50V +/- 0.25PF	C509	2113945A09	CAP CER CHP 1000PF 50V 10%
C1827	2113944M10	CAP,FXD,4.7PF,.1PF+/-,50V-DC,0603,C0G,-55DEG CMIN,125DEG CMAX	C2054	2113944A40	CAP CER CHP 100.0PF 50V 5%	C306	2113944A35	CAP CER CHP 62.0PF 50V 5%	C510	2113944A52	CAP CER CHP 1000.0 PF 50V 5%
C200	2113945B02	CAP CER CHP 10,000PF 25V 10%	C2055	2113946B04	CAP CER CHP 0.10UF 10V 10%	C307	2113944A18	CAP CER CHP 5.1PF 50V +/- 0.5PF	C511	2113944A40	CAP CER CHP 100.0PF 50V 5%
C201	2188468Y01	CAP CER 25V X7R 0805 1UF	C2056	2115153H24	CAP,CERAMIC,COG	C308	2113944A30	CAP CER CHP 27.0PF 50V 5%	C512	2113944A31	CAP CER CHP 33.0PF 50V 5%
C202	2188468Y01	CAP CER 25V X7R 0805 1UF	C2057	2115153H41	CAP,CERAMIC CHIP,22PF,+1%,-1%,50V-	C310	2113946D07	CAP,CHIP,4.7UF,+10%,-10%,6.3V-DC,0603,X5R,-55DEG CMIN,85DEG CMA	C513	2113944A40	CAP CER CHP 100.0PF 50V 5%
C2020	2113946D07	CAP,CHIP,4.7UF,+10%,-10%,6.3V-DC,0603,X5R,-55DEG CMIN,85DEG CMA	C2058	2115153H13	CAP,CERAMIC,COG	C311	2113944A29	CAP CER CHP 22.0PF 50V 5%	C514	2113944A84	CAP,FXD,43PF,+5%,-5%,50V-DC,0402,C0G,-55DEG CMIN,125DEG CMAX,PB
C2022	2113944A40	CAP CER CHP 100.0PF 50V 5%	C2059	2115153H16	CAP,CERAMIC,COG	C312	2113944A46	CAP CER CHP 330.0 PF 50V 5%	C515	2113944A21	CAP CER CHP 6.8PF 50V +/- 0.5PF
C2023	2113944A40	CAP CER CHP 100.0PF 50V 5%	C206	2113945B02	CAP CER CHP 10,000PF 25V 10%	C313	2113944A46	CAP CER CHP 330.0 PF 50V 5%	C516	2113944A11	CAP CER CHP 2.7PF 50V +/- 0.25PF
C2024	2113946D07	CAP,CHIP,4.7UF,+10%,-10%,6.3V-DC,0603,X5R,-55DEG CMIN,85DEG CMA	C2060	2115153H11	CAP,CERAMIC,COG	C314	2113946D07	CAP,CHIP,4.7UF,+10%,-10%,6.3V-DC,0603,X5R,-55DEG CMIN,85DEG CMA	C517	2113946B04	CAP CER CHP 0.10UF 10V 10%
C2025	2113944A40	CAP CER CHP 100.0PF 50V 5%	C2061	2115153H16	CAP,CERAMIC,COG	C315	2113944A46	CAP CER CHP 330.0 PF 50V 5%	C518	2113945A09	CAP CER CHP 1000PF 50V 10%
C2026	2113946B04	CAP CER CHP 0.10UF 10V 10%	C2063	2115153H41	CAP,CERAMIC CHIP,22PF,+1%,-1%,50V-	C316	0613952Q25	CER CHIP RES 10.0 OHM 5 0402	C519	2113944A28	CAP CER CHP 18.0PF 50V 5%
C2028	2115153H24	CAP,CERAMIC,COG	C2064	2115153H24	CAP,CERAMIC,COG	C317	2175389H01	CAP,.5PF,CHIP,0402,CERAMIC,50 V	C520	2113945A09	CAP CER CHP 1000PF 50V 10%
C2029	2115153H41	CAP,CERAMIC CHIP,22PF,+1%,-1%,50V-	C207	2113956B91	CAP,FXD,1UF,+10%,-10%,16V-DC,0603,X5R,-55DEG CMIN,85DEG CMAX,PB	C318	2113944A30	CAP CER CHP 27.0PF 50V 5%	C521	2113945A09	CAP CER CHP 1000PF 50V 10%
C203	2188468Y01	CAP CER 25V X7R 0805 1UF	C208	2113956B91	CAP,FXD,1UF,+10%,-10%,16V-DC,0603,X5R,-55DEG CMIN,85DEG CMAX,PB	C319	2113944A28	CAP CER CHP 18.0PF 50V 5%	C522	2113944A27	CAP CER CHP 15.0PF 50V 5%
C2032	2115153H57	CAP,CERAMIC,COG	C209	2113956B91	CAP,FXD,1UF,+10%,-10%,16V-DC,0603,X5R,-55DEG CMIN,85DEG CMAX,PB	C320	2113944A27	CAP CER CHP 15.0PF 50V 5%	C523	2113944A48	CAP CER CHP 470.0 PF 50V 5%
C2033	2115153H53	CAP,CERAMIC,COG	C210	2113956B91	CAP,FXD,1UF,+10%,-10%,16V-DC,0603,X5R,-55DEG CMIN,85DEG CMAX,PB	C321	2113944A28	CAP CER CHP 18.0PF 50V 5%	C524	2113944A30	CAP CER CHP 27.0PF 50V 5%
C2035	2115153H15	CAP,CERAMIC,COG	C212	2113946D07	CAP,CHIP,4.7UF,+10%,-10%,6.3V-DC,0603,X5R,-55DEG CMIN,85DEG CMA	C322	2113944A30	CAP CER CHP 27.0PF 50V 5%	C525	2115153H03	CAP,CERAMIC,COG
C2036	2115153H07	CAP,CERAMIC,COG	C213	2113944A46	CAP CER CHP 330.0 PF 50V 5%	C323	2113944A30	CAP CER CHP 27.0PF 50V 5%	C526	2115153H41	CAP,CERAMIC CHIP,22PF,+1%,-1%,50V-
C2037	2115153H12	CAP,CERAMIC,COG	C214	2113944A31	CAP CER CHP 33.0PF 50V 5%	C324	2113944A19	CAP CER CHP 5.6PF 50V +/- 0.5PF	C527	2115153H20	CAP,CERAMIC,COG
C2038	2115153H09	CAP,CERAMIC,COG	C215	2113944A46	CAP CER CHP 330.0 PF 50V 5%	C325	2113944A84	CAP,FXD,43PF,+5%,-5%,50V-DC,0402,C0G,-55DEG CMIN,125DEG CMAX,PB	C528	2113944A40	CAP CER CHP 100.0PF 50V 5%
C2039	2115153H15	CAP,CERAMIC,COG	C216	2113944A31	CAP CER CHP 33.0PF 50V 5%	C326	2113944A21	CAP CER CHP 6.8PF 50V +/- 0.5PF	C529	2113944A40	CAP CER CHP 100.0PF 50V 5%
C204	2113955D35	CAP,FXD,4.7UF,+10%,-10%,16V-DC,1206,X7R,-55DEG CMIN,125DEG CMAX	C217	2113956B91	CAP,FXD,1UF,+10%,-10%,16V-DC,0603,X5R,-55DEG CMIN,85DEG CMAX,PB	C327	2113944A28	CAP CER CHP 18.0PF 50V 5%	C601	2113945B02	CAP CER CHP 10,000PF 25V 10%
C2041	2113946B04	CAP CER CHP 0.10UF 10V 10%	C301	2113944A30	CAP CER CHP 27.0PF 50V 5%	C501	NOT PLACED	-	C602	2113945B02	CAP CER CHP 10,000PF 25V 10%
C2042	2115153H14	CAP,CERAMIC,COG	C302	2113944A28	CAP CER CHP 18.0PF 50V 5%	C502	2113945A09	CAP CER CHP 1000PF 50V 10%	C603	2113945B02	CAP CER CHP 10,000PF 25V 10%
C2044	2115153H26	CAP,CERAMIC,COG				C503	2115153H41	CAP,CERAMIC CHIP,22PF,+1%,-1%,50V-	C604	2113945B02	CAP CER CHP 10,000PF 25V 10%
						C504	2113944A40	CAP CER CHP 100.0PF 50V 5%	C605	2113944A15	CAP CER CHP 3.9PF 50V +/- 0.25PF
						C505	2113946B04	CAP CER CHP 0.10UF 10V 10%	C606	2113946B04	CAP CER CHP 0.10UF 10V 10%
									C607	2113944A40	CAP CER CHP 100.0PF 50V 5%
									C608	2113944A12	CAP CER CHP 3.0PF 50V +/- 0.25PF

Ref. Des.	Part Number	Description	Ref. Des.	Part Number	Description	Ref. Des.	Part Number	Description	Ref. Des.	Part Number	Description
C820	2113944A44	CAP CER CHP 220.0 PF 50V 5%	C920	21009257002	0805 39 PF ACCU-P CAPACITOR	E608	2480640Z01	SURFACE MOUNT FERRITE BEAD	L1605	2414017H07	IDCTR,CHIP,3.9NH,300MA, .14OHM,CER,10 Q,3.4GHZ SRF, SM,0603,P
C830	2113944A44	CAP CER CHP 220.0 PF 50V 5%	C921	21009257002	0805 39 PF ACCU-P CAPACITOR	E609	2480640Z01	SURFACE MOUNT FERRITE BEAD	L1606	2460591E24	COIL AIR WOUND INDUC 23.75
C831	2113944A40	CAP CER CHP 100.0PF 50V 5%	C922	2113944M29	CAP,FXD,30PF,+2%,-2%,50V-DC, 0603,C0G,-55DEG CMIN, 125DEG CMAX,PB	F200	6575834B01	FUSE SURFACE MOUNT	L1609	2415428H02	AIR WOUND INDUCTOR
C836	2113944A33	CAP CER CHP 47.0PF 50V 5%	C923	2113944M15	CAP,FXD,7.5PF,.1PF+/-,50V-DC, 0603,C0G,-55DEG CMIN,125DEG CMAX	FL1301	9189697V15	FLTR,1.57542GHZ NOM, 1.57642GHZ MIN,1.57442GHZ MAX,50OHM,SM,P	L1610	2415385H01	8 NH MINISPRING AIR CORE INDUCTOR
C838	2113945A09	CAP CER CHP 1000PF 50V 10%	C924	2113944M19	CAP,FXD,11PF,+2%,-2%,50V-DC, 0603,C0G,-55DEG CMIN, 125DEG CMAX,PB	FL501	4885631B01	XTAL FILT 3 POLE 109.65 MOTORO	L1803	2471884M01	10.2NH SQUARE SPRING
C844	2113944A33	CAP CER CHP 47.0PF 50V 5%	C925	2113944C04	CAP CER CHP 330.0PF 50V 5%	J101	0909901V02	RECP SMT MCX	L1809	2471884M01	10.2NH SQUARE SPRING
C851	2113944A44	CAP CER CHP 220.0 PF 50V 5%	C927	NOT PLACED	-	L1101	2415429H30	CHIP INDUCTOR	L1811	2471884M01	10.2NH SQUARE SPRING
C901	2113944M40	CAP,FXD,82PF,+2%,-2%,50V-DC, 0603,C0G,-55DEG CMIN, 125DEG CMAX,PB	C928	2113944M23	CAP,FXD,16PF,+2%,-2%,50V-DC, 0603,C0G,-55DEG CMIN, 125DEG CMAX,PB	L1102	2415429H10	CHIP INDUCTOR	L200	2571269C01	INDUCTOR WW POWER 20%
C902	2113944C04	CAP CER CHP 330.0PF 50V 5%	C929	2113945A12	CAP CER CHP 3300PF 50V 10%	L1103	2475393H01	INDUCTOR, 4.7NH, 0402, +/-0.1NH	L2008	2478057A09	5.6 NH SURFACE MOUNT INDUCTOR
C903	2113945L49	CAP,FXD,.01UF,+5%,-5%,50V-DC,0603,X7R,-55DEG CMIN, 125DEG CMAX,P	C930	2113945A12	CAP CER CHP 3300PF 50V 10%	L1104	0613952R66	CER CHIP RES 0.0 +/-0.050 OHM	L2009	2478057A23	18 NH SURFACE MOUNT INDUCTOR
C904	2113944M36	CAP,FXD,56PF,+2%,-2%,50V-DC, 0603,C0G,-55DEG CMIN, 125DEG CMAX,PB	D200	4813978A19	DIODE,RECT,MBR120,SM,SOD-123,1A,20V,SHTK,PB-FREE	L1108	2409348J04	IND AIR CORE 5.45NH 5% 2214	L2010	2478057A23	18 NH SURFACE MOUNT INDUCTOR
C905	2113945L49	CAP,FXD,.01UF,+5%,-5%,50V-DC,0603,X7R,-55DEG CMIN, 125DEG CMAX,P	D722	4815011H01	DIODE TRIPLE	L1114	2475394H01	INDUCTOR, 11NH, 0402, +/-2%	L2012	2478057A09	5.6 NH SURFACE MOUNT INDUCTOR
C906	2113944C04	CAP CER CHP 330.0PF 50V 5%	D723	4815011H01	DIODE TRIPLE	L1203	2460591D81	COIL AIR WOUND INDUC 43.41	L2013	2478057A23	18 NH SURFACE MOUNT INDUCTOR
C907	2113944C04	CAP CER CHP 330.0PF 50V 5%	E1101	2405688Z01	INDUCTOR FERRITE BEAD	L1209	2460591D81	COIL AIR WOUND INDUC 43.41	L2014	2478057A23	18 NH SURFACE MOUNT INDUCTOR
C908	2113944C04	CAP CER CHP 330.0PF 50V 5%	E200	2405688Z01	INDUCTOR FERRITE BEAD	L1211	2460591D81	COIL AIR WOUND INDUC 43.41	L2015	2478057A41	0306 HIGH Q CHIP INDUCTOR
C909	2113944C04	CAP CER CHP 330.0PF 50V 5%	E201	2405688Z01	INDUCTOR FERRITE BEAD	L1301	2488090Y07	INDUCTOR,MULTILAYER,3.3NH, 1005,SMD,PB FREE	L2016	2414017P15	IDCTR,CHIP,15NH,5%,300MA, .65OHM,CER,9 Q,1.95GHZ SRF,SM,0402
C910	2113944C23	CAP CER CHP 5.1PF 50V +/- 0.5PF	E2021	2480640Z01	SURFACE MOUNT FERRITE BEAD	L1302	2488090Y25	INDUCTOR,MULTILAYER,100NH, 1005,SMD,PB FREE	L2017	2478057A40	0306 HIGH Q CHIP INDUCTOR
C911	2113945L49	CAP,FXD,.01UF,+5%,-5%,50V-DC,0603,X7R,-55DEG CMIN, 125DEG CMAX,P	E301	2480640Z01	SURFACE MOUNT FERRITE BEAD	L1303	2414017P25	IDCTR,CHIP,100NH,5%,100MA, 5.5OHM,CER,8 Q,650MHZ SRF, SM,0402	L2019	2414017P15	IDCTR,CHIP,15NH,5%,300MA, .65OHM,CER,9 Q,1.95GHZ SRF,SM,0402
C912	NOT PLACED	-	E501	2480640Z01	SURFACE MOUNT FERRITE BEAD	L1305	2475391H01	INDUCTOR, 18 NH, CHIP, 0402, 2% TOL	L2034	2478057A29	0306 HIGH Q CHIP INDUCTOR
C913	2113944M29	CAP,FXD,30PF,+2%,-2%,50V-DC, 0603,C0G,-55DEG CMIN, 125DEG CMAX,PB	E601	2480640Z01	SURFACE MOUNT FERRITE BEAD	L1306	2488090Y10	INDUCTOR,MULTILAYER,5.6NH, 1005,SMD,PB FREE	L2035	2478057A24	22 NH SURFACE MOUNT INDUCTOR
C914	2113944M18	CAP,FXD,10PF,+2.5%,-2.5%, 50V-DC,0603,C0G,-55DEG CMIN, 125DEG CMA	E602	2480640Z01	SURFACE MOUNT FERRITE BEAD	L1601	2414017H14	IDCTR,CHIP,15NH,5%,3A, .32OHM,CER,12 Q,1.5GHZ SRF, SM,0603,PB-	L2036	2415429H01	CHIP INDUCTOR
C915	2113944C04	CAP CER CHP 330.0PF 50V 5%	E603	2480640Z01	SURFACE MOUNT FERRITE BEAD	L1602	2415429H37	CHIP INDUCTOR	L301	2414032F35	IDCTR,WW,120NH,5%,400MA, .51OHM,CER,35 Q,860MHZ SRF,SM,PB-FR
C916	2113944M40	CAP,FXD,82PF,+2%,-2%,50V-DC, 0603,C0G,-55DEG CMIN, 125DEG CMAX,PB	E604	2480640Z01	SURFACE MOUNT FERRITE BEAD	L1603	2414015A07	IDCTR,FXD,180NH,2%,750MA, .77OHM,CER,25 Q,700MHZ SRF, SM,1008	L302	2460591H08	HIGH Q, SURFACE MOUNT COILS 36.6 NH
C917	NOT PLACED	-	E605	2480640Z01	SURFACE MOUNT FERRITE BEAD	L1604	2414017H07	IDCTR,CHIP,3.9NH,300MA, .14OHM,CER,10 Q,3.4GHZ SRF,SM,0603,P	L303	2460591H08	HIGH Q, SURFACE MOUNT COILS 36.6 NH
C918	2113944C04	CAP CER CHP 330.0PF 50V 5%	E606	2480640Z01	SURFACE MOUNT FERRITE BEAD				L304	2414017N22	IDCTR,CHIP,68NH,5%,400MA, 1.2OHM,CER,14 Q,800MHZ SRF,SM,0603
C919	2113944M22	CAP,FXD,15PF,+2%,-2%,50V-DC, 0603,C0G,-55DEG CMIN, 125DEG CMAX,PB	E607	2480640Z01	SURFACE MOUNT FERRITE BEAD						

Ref. Des.	Part Number	Description	Ref. Des.	Part Number	Description	Ref. Des.	Part Number	Description	Ref. Des.	Part Number	Description
L305	2415429H34	CHIP INDUCTOR	L735	2480646Z20	COIL MULTI-LAYER CHIP(2.20UH)	M2	75009299001	PAD, THERMAL	Q713	4805585Q32	TRANSISTOR, NPN RF
L306	2414017P13	IDCTR,CHIP,10NH,5%,300MA, .46OHM,CER,9 Q,2.5GHZ SRF,SM,0402,P	L738	2480646Z20	COIL MULTI-LAYER CHIP(2.20UH)	M3	1104959T01	COATING-CONTACT	Q714	4889394V04	XSTR,FET GEN PURPOSE SMALL SIG,MOSFET,N-CH ,ENHN,SM,20V,.25W,P
L307	2414032F35	IDCTR,WW,120NH,5%,400MA, .51OHM,CER,35 Q,860MHZ SRF,SM,PB-FR	L741	2480646Z20	COIL MULTI-LAYER CHIP(2.20UH)	P101	2887818K05	PLUG 40PIN MATING CNTCR 1.5MM	Q774	4885061Y01	XSTR NPN 6V 30UA 12GHZ PB-FREE
L308	2414032F35	IDCTR,WW,120NH,5%,400MA, .51OHM,CER,35 Q,860MHZ SRF,SM,PB-FR	L753	2415347H06	IDCTR, 2200NH	PASTE	1085674C03	PASTE/NC-SMQ230	Q842	4805585Q32	TRANSISTOR, NPN RF
L309	2415429H28	CHIP INDUCTOR	L802	2415429H26	CHIP INDUCTOR	PCB	8478166A01	BOARD, PC, PORTABLE VHF & UHF1	Q901	5185633C81	MODULE,RING,XSTR,FET RF POWER, VHF
L310	2415429H28	CHIP INDUCTOR	L806	2415429H47	CHIP INDUCTOR	Q1101	4813973A32	XSTR,BIP GP SS,NPN,SM, SC-70,SMT,50V,.202W,100MA, PB-FREE	R101	0613952R01	CER CHIP RES 10K OHM 5% 0402
L501	2415429H23	CHIP INDUCTOR	L817	2414032F41	IDCTR,WW,390NH,10%,200MA, 1.5OHM,CER,40 Q,730MHZ SRF,SM,PB-F	Q1102	4813973A32	XSTR,BIP GP SS,NPN,SM, SC-70,SMT,50V,.202W,100MA, PB-FREE	R103	0613952R01	CER CHIP RES 10K OHM 5% 0402
L502	2415429H30	CHIP INDUCTOR	L821	2415429H47	CHIP INDUCTOR	Q1103	4813970A59	P-CH FET 1.0A 20V SOT-23 T&R	R1101	0613952R25	CER CHIP RES 100K OHM 5% 0402
L503	2414032F38	IDCTR,WW,220NH,5%,400MA, .7OHM,CER,30 Q,630MHZ SRF,SM,PB-FRE	L846	2414032F41	IDCTR,WW,390NH,10%,200MA, 1.5OHM,CER,40 Q,730MHZ SRF,SM,PB-F	Q1104	4813970A59	P-CH FET 1.0A 20V SOT-23 T&R	R1102	0613952R25	CER CHIP RES 100K OHM 5% 0402
L504	2414032F41	IDCTR,WW,390NH,10%,200MA, 1.5OHM,CER,40 Q,730MHZ SRF,SM,PB-F	L901	2414017N10	IDCTR,CHIP,6.8NH,5%,600MA, .22OHM,CER,10 Q,2.7GHZ SRF,SM,0603	Q1105	NOT PLACED	-	R1103	06009259001	LOW RESISTANCE THICK FILM RESISTOR
L505	2415429H39	CHIP INDUCTOR	L902	2415429H37	CHIP INDUCTOR	Q1601	5185633C82	MODULE,RING,XSTR, FET RF POWER, UHF	R1104	0613952Q49	CER CHIP RES 100 OHM 5 0402
L506	2415429H39	CHIP INDUCTOR	L903	2414015A07	IDCTR,FXD,180NH,2%,750MA, .77OHM,CER,25 Q,700MHZ SRF,SM,1008	Q201	4813970A59	P-CH FET 1.0A 20V SOT-23 T&R	R1105	0613952Q49	CER CHIP RES 100 OHM 5 0402
L507	2415427H36	CHIP INDUCTOR	L904	2414017N18	IDCTR,CHIP,33NH,5%,600MA, .71OHM,CER,12 Q,1.1GHZ SRF,SM,0603	Q202	4813973A32	XSTR,BIP GP SS,NPN,SM, SC-70,SMT,50V,.202W,100MA, PB-FREE	R1106	0613952Q25	CER CHIP RES 10.0 OHM 5 0402
L508	24012011014	0402 HIGH Q CHIP INDUCTOR	L905	2414017N16	IDCTR,CHIP,22NH,5%,600MA, .54OHM,CER,12 Q,1.3GHZ SRF,SM,0603	Q2020	4813973A32	XSTR,BIP GP SS,NPN,SM, SC-70,SMT,50V,.202W,100MA, PB-FREE	R1107	0613952Q45	CER CHIP RES 68.0 OHM 5 0402
L509	24012011020	0402 HIGH Q CHIP INDUCTOR	L906	2414017N16	IDCTR,CHIP,22NH,5%,600MA, .54OHM,CER,12 Q,1.3GHZ SRF,SM,0603	Q2022	4813973M75	XSTR,BIP GP SS,PNP,BC858, SOT-563,SMT,-30V,.357W, -100MA,100MHZ	R1108	0613952R23	CER CHIP RES 82K OHM 5% 0402
L511	2478057A13	7.5 NH SURFACE MOUNT INDUCTOR	L907	2460591E24	COIL AIR WOUND INDUC 23.75	Q301	4813973A32	XSTR,BIP GP SS,NPN,SM, SC-70,SMT,50V,.202W,100MA, PB-FREE	R1110	0613952R01	CER CHIP RES 10K OHM 5% 0402
L601	2415429H43	CHIP INDUCTOR	L908	2471968L13	LOW PROFILE MINI SPRING INDUCTOR	Q302	4813973M75	XSTR,BIP GP SS,PNP,BC858, SOT-563,SMT,-30V,.357W, -100MA,100MHZ	R1112	NOT PLACED	-
L602	2466505A01	COIL INDUCTOR	L909	2415428H01	AIR WOUND INDUCTOR	Q501	4813973M75	XSTR,BIP GP SS,PNP,BC858, SOT-563,SMT,-30V,.357W, -100MA,100MHZ	R1114	0613952Q49	CER CHIP RES 100 OHM 5 0402
L603	2466505A01	COIL INDUCTOR	L910	2471968L11	13.0NH 2% LP AIRWOUND INDUCTOR	Q503	4885316E32	TRANSISTOR, RF	R1115	0613952Q49	CER CHIP RES 100 OHM 5 0402
L604	2414032D16	IDCTR,WW,120NH,5%,800MA, .26OHM,CER,42 Q,1GHZ SRF, SM,PB-FREE	M1	3275623B02	PAD, THERMAL ELECTRIC	Q601	4813973A04	XSTR,BIP GP SS,NPN,TA13, SM,SOT-23,SMT,30V,.225W, 300MA,125MHZ,P	R1116	0613952R01	CER CHIP RES 10K OHM 5% 0402
L605	2414017Q54	IDCTR,FXD,3.9UH,10%,30MA, .9OHM,FERR,45 Q,38MHZ SRF,SM,0805,P	M101	2871616H01	CONNECTOR, BPLUS	Q703	4813973M75	XSTR,BIP GP SS,PNP,BC858, SOT-563,SMT,-30V,.357W, -100MA,100MHZ	R1117	0613952R22	CER CHIP RES 75K OHM 5 0402
L701	2415429H47	CHIP INDUCTOR	M103	3987977Y04	CONT,CONN,1CONT,ANT UNIV 4.5MM,UC 1.8	Q712	4813973M75	XSTR,BIP GP SS,PNP,BC858, SOT-563,SMT,-30V,.357W, -100MA,100MHZ	R1121	0613952R12	CER CHIP RES 30K OHM 5 0402
L720	2480646Z20	COIL MULTI-LAYER CHIP(2.20UH)	M104	NOT PLACED	-				R1122	0613952R22	CER CHIP RES 75K OHM 5 0402
L727	2480646Z20	COIL MULTI-LAYER CHIP(2.20UH)	M105	3987977Y04	CONT,CONN,1CONT,ANT UNIV 4.5MM,UC 1.8				R1124	0613952Q42	CER CHIP RES 51.0 OHM 5 0402
L728	2415429H47	CHIP INDUCTOR	M106	NOT PLACED	-				R1125	0613952R17	CER CHIP RES 47K OHM 5% 0402
L733	2480646Z20	COIL MULTI-LAYER CHIP(2.20UH)							R1126	0613952R08	CER CHIP RES 20K OHM 5 0402
									R1127	0613952R08	CER CHIP RES 20K OHM 5 0402
									R1128	0613952R01	CER CHIP RES 10K OHM 5% 0402
									R1129	NOT PLACED	-

Ref. Des.	Part Number	Description
R1130	NOT PLACED	-
R1135	0613952R66	CER CHIP RES 0.0 +/-0.050 OHM
R1136	0613952R01	CER CHIP RES 10K OHM 5% 0402
R1137	0613952R01	CER CHIP RES 10K OHM 5% 0402
R1138	0613952R25	CER CHIP RES 100K OHM 5% 0402
R1139	0613952R25	CER CHIP RES 100K OHM 5% 0402
R1140	0613952R25	CER CHIP RES 100K OHM 5% 0402
R1141	0613952R42	CER CHIP RES 510K OHM 5 0402
R1142	0613952R25	CER CHIP RES 100K OHM 5% 0402
R1143	0613952R25	CER CHIP RES 100K OHM 5% 0402
R1144	0613952R25	CER CHIP RES 100K OHM 5% 0402
R1145	0613952R25	CER CHIP RES 100K OHM 5% 0402
R1146	0613952R25	CER CHIP RES 100K OHM 5% 0402
R1151	0613952R01	CER CHIP RES 10K OHM 5% 0402
R1152	0613952R01	CER CHIP RES 10K OHM 5% 0402
R1154	0613952R01	CER CHIP RES 10K OHM 5% 0402
R1158	NOT PLACED	-
R1160	0613952R03	CER CHIP RES 12K OHM 5% 0402
R1161	0613952R01	CER CHIP RES 10K OHM 5% 0402
R1162	0613952R29	CER CHIP RES 150K OHM 5% 0402
R1163	0613952R01	CER CHIP RES 10K OHM 5% 0402
R1164	0613952R01	CER CHIP RES 10K OHM 5% 0402
R1165	0613952Q56	CER CHIP RES 200 OHM 5 0402
R1166	0613952Q56	CER CHIP RES 200 OHM 5 0402
R1167	0613952R01	CER CHIP RES 10K OHM 5% 0402

Ref. Des.	Part Number	Description
R1168	0613952R66	CER CHIP RES 0.0 +/-0.050 OHM
R1169	0613952P52	CER CHIP RES 340K OHM 1 0402
R1170	0613952N88	CER CHIP RES 80.6K OHM 1 0402
R1171	0613952R66	CER CHIP RES 0.0 +/-0.050 OHM
R1172	0613952Q89	CER CHIP RES 4700 OHM 5 0402
R1174	0613952R01	CER CHIP RES 10K OHM 5% 0402
R1175	0613952R66	CER CHIP RES 0.0 +/-0.050 OHM
R1176	0613952Q73	CER CHIP RES 1000 OHM 5 0402
R1177	0613952R66	CER CHIP RES 0.0 +/-0.050 OHM
R1178	0613952R01	CER CHIP RES 10K OHM 5% 0402
R1179	0613952R66	CER CHIP RES 0.0 +/-0.050 OHM
R1180	0613952R66	CER CHIP RES 0.0 +/-0.050 OHM
R1181	NOT PLACED	-
R1182	0613952R01	CER CHIP RES 10K OHM 5% 0402
R1183	0613952Q73	CER CHIP RES 1000 OHM 5 0402
R1184	0613952Q81	CER CHIP RES 2200 OHM 5 0402
R1304	NOT PLACED	-
R1307	0613952Q73	CER CHIP RES 1000 OHM 5 0402
R1601	0613952Q96	CER CHIP RES 9100 OHM 5 0402
R1602	0613952R01	CER CHIP RES 10K OHM 5% 0402
R1603	0613952R02	CER CHIP RES 11K OHM 5 0402
R1604	0613952R13	CER CHIP RES 33K OHM 5% 0402
R1605	0613952Q73	CER CHIP RES 1000 OHM 5 0402
R1606	NOT PLACED	-
R1801	0685524Y01	RES,ZERO OHM,0805
R2006	0613952R01	CER CHIP RES 10K OHM 5% 0402
R2007	0613952R01	CER CHIP RES 10K OHM 5% 0402
R2008	0613952R01	CER CHIP RES 10K OHM 5% 0402
R2009	0613952R01	CER CHIP RES 10K OHM 5% 0402
R201	0613952R25	CER CHIP RES 100K OHM 5% 0402

Ref. Des.	Part Number	Description
R2010	0613952Q73	CER CHIP RES 1000 OHM 5 0402
R2011	0613952Q73	CER CHIP RES 1000 OHM 5 0402
R202	0613952Q89	CER CHIP RES 4700 OHM 5 0402
R2021	0613952R22	CER CHIP RES 75K OHM 5 0402
R2022	0613952R27	CER CHIP RES 120K OHM 5% 0402
R2023	0613952R01	CER CHIP RES 10K OHM 5% 0402
R2024	0613952Q37	CER CHIP RES 33.0 OHM 5 0402
R2025	0613952Q11	CER CHIP RES 2.7 OHM 5 0402
R2035	0613952Q75	CER CHIP RES 1200 OHM 5 0402
R301	0613952R22	CER CHIP RES 75K OHM 5 0402
R302	0613952R27	CER CHIP RES 120K OHM 5% 0402
R303	0613952R01	CER CHIP RES 10K OHM 5% 0402
R304	0613952Q37	CER CHIP RES 33.0 OHM 5 0402
R305	0613952Q89	CER CHIP RES 4700 OHM 5 0402
R306	0613952Q25	CER CHIP RES 10.0 OHM 5 0402
R307	0613952Q13	CER CHIP RES 3.3 OHM 5 0402
R501	NOT PLACED	-
R502	0613952Q45	CER CHIP RES 68.0 OHM 5 0402
R503	0613952R10	CER CHIP RES 24K OHM 5 0402
R504	0613952Q85	CER CHIP RES 3300 OHM 5 0402
R505	0613952R31	CER CHIP RES 180K OHM 5% 0402
R506	0613952Q53	CER CHIP RES 150 OHM 5 0402
R507	0613952Q83	CER CHIP RES 2700 OHM 5 0402
R508	0613952Q41	CER CHIP RES 47.0 OHM 5 0402
R509	0613952Q25	CER CHIP RES 10.0 OHM 5 0402
R511	0613952Q13	CER CHIP RES 3.3 OHM 5 0402
R512	NOT PLACED	-
R597	0613952R66	CER CHIP RES 0.0 +/-0.050 OHM
R601	0613952Q41	CER CHIP RES 47.0 OHM 5 0402
R602	0613952Q63	CER CHIP RES 390 OHM 5 0402
R603	0613952R25	CER CHIP RES 100K OHM 5% 0402
R604	0613952Q63	CER CHIP RES 390 OHM 5 0402
R605	0613952R01	CER CHIP RES 10K OHM 5% 0402

Ref. Des.	Part Number	Description
R606	0613952R01	CER CHIP RES 10K OHM 5% 0402
R607	0613952R25	CER CHIP RES 100K OHM 5% 0402
R608	0613952R01	CER CHIP RES 10K OHM 5% 0402
R609	0613952Q81	CER CHIP RES 2200 OHM 5 0402
R610	0613952R25	CER CHIP RES 100K OHM 5% 0402
R611	0613952R01	CER CHIP RES 10K OHM 5% 0402
R612	0613952Q94	CER CHIP RES 7500 OHM 5 0402
R613	0613952Q82	CER CHIP RES 2400 OHM 5 0402
R614	0613952R66	CER CHIP RES 0.0 +/-0.050 OHM
R615	NOT PLACED	-
R616	NOT PLACED	-
R617	NOT PLACED	-
R618	NOT PLACED	-
R619	NOT PLACED	-
R620	NOT PLACED	-
R621	NOT PLACED	-
R623	NOT PLACED	-
R624	NOT PLACED	-
R698	0613952R66	CER CHIP RES 0.0 +/-0.050 OHM
R699	0613952R66	CER CHIP RES 0.0 +/-0.050 OHM
R701	0613952Q49	CER CHIP RES 100 OHM 5 0402
R702	0613952R66	CER CHIP RES 0.0 +/-0.050 OHM
R703	0613952Q42	CER CHIP RES 51.0 OHM 5 0402
R704	0613952Q42	CER CHIP RES 51.0 OHM 5 0402
R705	0613952Q25	CER CHIP RES 10.0 OHM 5 0402
R706	0613952R66	CER CHIP RES 0.0 +/-0.050 OHM
R707	0613952R66	CER CHIP RES 0.0 +/-0.050 OHM
R708	0613952Q49	CER CHIP RES 100 OHM 5 0402
R709	0613952Q45	CER CHIP RES 68.0 OHM 5 0402
R710	0613952Q56	CER CHIP RES 200 OHM 5 0402
R711	0613952Q45	CER CHIP RES 68.0 OHM 5 0402
R712	0613952Q67	CER CHIP RES 560 OHM 5 0402
R713	0613952Q25	CER CHIP RES 10.0 OHM 5 0402
R714	0613952Q67	CER CHIP RES 560 OHM 5 0402
R721	0613952R01	CER CHIP RES 10K OHM 5% 0402

Ref. Des.	Part Number	Description
U607	5186311J24	IC,BFR,1BITS,NC7SZ125,ACTIVE HIGH,B
U702	5164015H28	IC,TRIDENT,INTEG SYNTH,RX/TX BSBND
U703	5175772B06	28-PORT I/O EXPANDER
U708	5171972L01	SP3T RF SWITCH
U709	5171972L01	SP3T RF SWITCH
U710	5171972L01	SP3T RF SWITCH
U711	5171972L01	SP3T RF SWITCH
U746	4805218N63	RF TRANS SOT 323 Bfq67W
U901	5175143H01	WIDE SUPPLY RANGE OP AMP
U902	5115678H01	VHF/UHF/800/900 MHZ LDMOS DRIVER IC
VR101	4813977M29	DIODE,VREF,MBZ5250,SM,SOT-23,20V,.225W,ZEN
VR200	4813977M29	DIODE,VREF,MBZ5250,SM,SOT-23,20V,.225W,ZEN
VR2005	4815096H01	VARACTOR DIODE 1SV305
VR2006	4815096H01	VARACTOR DIODE 1SV305
VR2007	4815096H01	VARACTOR DIODE 1SV305
VR2008	4815096H01	VARACTOR DIODE 1SV305
VR2010	4815096H01	VARACTOR DIODE 1SV305
VR2020	4815096H01	VARACTOR DIODE 1SV305
VR601	4805656W87	DIODE,VCTR, @ 15V, 1SV279,SOD-523/SC-79
VR602	4805656W87	DIODE,VCTR, @ 15V, 1SV279,SOD-523/SC-79
Y701	4871886H01	16.8 MHZ VCTXO .8PPM
Y704	5164852H68	IC, VCO MODULE
Y705	5164852H66	IC, VCO MODULE
Y706	NOT PLACED	-
Y707	5164852H67	IC, VCO MODULE

MNUT4000C UHF1/VHF Transceiver (RF) Board Parts List

Ref. Des.	Part Number	Description
C101	2113944A46	CAP,CHIP,330PF,+5%,-5%,50V-DC,0402,C0G,-55DEG CMIN,125DEG CMAX
C200	2113945B02	CAP,CHIP,.01UF,+10%,-10%,25V-DC,0402,X7R,-55DEG CMIN,125DEG CMA
C201	2188468Y01	CAP,CHIP,1UF,+10,-10,25V-DC,0805,X7R
C202	2188468Y01	CAP,CHIP,1UF,+10,-10,25V-DC,0805,X7R
C203	2188468Y01	CAP,CHIP,1UF,+10,-10,25V-DC,0805,X7R
C204	2113955D35	CAP,FXD,4.7UF,+10%,-10%,16V-DC,1206,X7R,-55DEG CMIN,125DEG CMAX
C205	2113955D35	CAP,FXD,4.7UF,+10%,-10%,16V-DC,1206,X7R,-55DEG CMIN,125DEG CMAX
C206	2113945B02	CAP,CHIP,.01UF,+10%,-10%,25V-DC,0402,X7R,-55DEG CMIN,125DEG CMA
C207	2113956B91	CAP,FXD,1UF,+10%,-10%,16V-DC,0603,X5R,-55DEG CMIN,85DEG CMAX,PB
C208	2113956B91	CAP,FXD,1UF,+10%,-10%,16V-DC,0603,X5R,-55DEG CMIN,85DEG CMAX,PB
C208	2113956B91	CAP,FXD,1UF,+10%,-10%,16V-DC,0603,X5R,-55DEG CMIN,85DEG CMAX,PB
C209	2113956B91	CAP,FXD,1UF,+10%,-10%,16V-DC,0603,X5R,-55DEG CMIN,85DEG CMAX,PB
C209	2113956B91	CAP,FXD,1UF,+10%,-10%,16V-DC,0603,X5R,-55DEG CMIN,85DEG CMAX,PB
C210	2113956B91	CAP,FXD,1UF,+10%,-10%,16V-DC,0603,X5R,-55DEG CMIN,85DEG CMAX,PB
C210	2113956B91	CAP,FXD,1UF,+10%,-10%,16V-DC,0603,X5R,-55DEG CMIN,85DEG CMAX,PB

Ref. Des.	Part Number	Description
C212	2113946D07	CAP,CHIP,4.7UF,+10%,-10%,6.3V-DC,0603,X5R,-55DEG CMIN,85DEG CMA
C212	2113946D07	CAP,CHIP,4.7UF,+10%,-10%,6.3V-DC,0603,X5R,-55DEG CMIN,85DEG CMA
C213	2113944A46	CAP,CHIP,330PF,+5%,-5%,50V-DC,0402,C0G,-55DEG CMIN,125DEG CMAX
C214	2113944A31	CAP,CHIP,33PF,+5%,-5%,50V-DC,0402,C0G,-55DEG CMIN,125DEG CMAX,P
C215	2113944A46	CAP,CHIP,330PF,+5%,-5%,50V-DC,0402,C0G,-55DEG CMIN,125DEG CMAX
C216	2113944A31	CAP,CHIP,33PF,+5%,-5%,50V-DC,0402,C0G,-55DEG CMIN,125DEG CMAX,P
C217	2113956B91	CAP,FXD,1UF,+10%,-10%,16V-DC,0603,X5R,-55DEG CMIN,85DEG CMAX,PB
C217	2113956B91	CAP,FXD,1UF,+10%,-10%,16V-DC,0603,X5R,-55DEG CMIN,85DEG CMAX,PB
C301	2113944A30	CAP,CHIP,27PF,+5%,-5%,50V-DC,0402,C0G,-55DEG CMIN,125DEG CMAX,P
C302	2113944A28	CAP,CHIP,18PF,+5%,-5%,50V-DC,0402,C0G,-55DEG CMIN,125DEG CMAX,P
C303	2113944A28	CAP,CHIP,18PF,+5%,-5%,50V-DC,0402,C0G,-55DEG CMIN,125DEG CMAX,P
C304	2113944A81	CAP,FXD,24PF,+5%,-5%,50V-DC,0402,C0G,-55DEG CMIN,125DEG CMAX,PB
C305	2113944A17	CAP,CHIP,4.7PF,.25PF+/-,50V-DC,0402,C0G,-55DEG CMIN,125DEG CMA
C306	2113944A35	CAP,CHIP,62PF,+5%,-5%,50V-DC,0402,C0G,-55DEG CMIN,125DEG CMAX,P
C307	2113944A18	CAP,CHIP,5.1PF,.5PF+/-,50V-DC,0402,C0G,-55DEG CMIN,125DEG CMAX

Ref. Des.	Part Number	Description
C308	2113944A30	CAP,CHIP,27PF,+5%,-5%,50V-DC,0402,C0G,-55DEG CMIN,125DEG CMAX,P
C310	2113946D07	CAP,CHIP,4.7UF,+10%,-10%,6.3V-DC,0603,X5R,-55DEG CMIN,85DEG CMA
C310	2113946D07	CAP,CHIP,4.7UF,+10%,-10%,6.3V-DC,0603,X5R,-55DEG CMIN,85DEG CMA
C311	2113944A29	CAP,CHIP,22PF,+5%,-5%,50V-DC,0402,C0G,-55DEG CMIN,125DEG CMAX,P
C312	2113944A46	CAP,CHIP,330PF,+5%,-5%,50V-DC,0402,C0G,-55DEG CMIN,125DEG CMAX
C313	2113944A46	CAP,CHIP,330PF,+5%,-5%,50V-DC,0402,C0G,-55DEG CMIN,125DEG CMAX
C314	2113946D07	CAP,CHIP,4.7UF,+10%,-10%,6.3V-DC,0603,X5R,-55DEG CMIN,85DEG CMA
C314	2113946D07	CAP,CHIP,4.7UF,+10%,-10%,6.3V-DC,0603,X5R,-55DEG CMIN,85DEG CMA
C315	2113944A46	CAP,CHIP,330PF,+5%,-5%,50V-DC,0402,C0G,-55DEG CMIN,125DEG CMAX
C316	0613952Q25	RES,MF,10OHM,5%,.0625W,SM,0402,200PPM/CEL,PB-FREE
C317	2175389H01	CAP,.5PF,CAP,.5PF,CHIP,0402,CERAMIC,50 V
C318	2113944A30	CAP,CHIP,27PF,+5%,-5%,50V-DC,0402,C0G,-55DEG CMIN,125DEG CMAX,P
C319	2113944A28	CAP,CHIP,18PF,+5%,-5%,50V-DC,0402,C0G,-55DEG CMIN,125DEG CMAX,P
C320	2113944A27	CAP,CHIP,15PF,+5%,-5%,50V-DC,0402,C0G,-55DEG CMIN,125DEG CMAX,P
C321	2113944A28	CAP,CHIP,18PF,+5%,-5%,50V-DC,0402,C0G,-55DEG CMIN,125DEG CMAX,P

Ref. Des.	Part Number	Description	Ref. Des.	Part Number	Description	Ref. Des.	Part Number	Description	Ref. Des.	Part Number	Description
C322	2113944A30	CAP,CHIP,27PF,+5%,-5%,50V-DC,0402,C0G,-55DEG CMIN,125DEG CMAX,P	C512	2113944A31	CAP,CHIP,33PF,+5%,-5%,50V-DC,0402,C0G,-55DEG CMIN,125DEG CMAX,P	C528	2113944A40	CAP,CHIP,100PF,+5%,-5%,50V-DC,0402,C0G,-55DEG CMIN,125DEG CMAX	C614	2113945B02	CAP,CHIP,.01UF,+10%,-10%,25V-DC,0402,X7R,-55DEG CMIN,125DEG CMA
C323	2113944A30	CAP,CHIP,27PF,+5%,-5%,50V-DC,0402,C0G,-55DEG CMIN,125DEG CMAX,P	C513	2113944A40	CAP,CHIP,100PF,+5%,-5%,50V-DC,0402,C0G,-55DEG CMIN,125DEG CMAX	C529	2113944A40	CAP,CHIP,100PF,+5%,-5%,50V-DC,0402,C0G,-55DEG CMIN,125DEG CMAX	C615	2113944A42	CAP,CHIP,150PF,+5%,-5%,50V-DC,0402,C0G,-55DEG CMIN,125DEG CMAX
C324	2113944A19	CAP,CHIP,5.6PF,5PF+/-,50V-DC,0402,C0G,-55DEG CMIN,125DEG CMAX	C514	2113944A84	CAP,FXD,43PF,+5%,-5%,50V-DC,0402,C0G,-55DEG CMIN,125DEG CMAX,PB	C601	2113945B02	CAP,CHIP,.01UF,+10%,-10%,25V-DC,0402,X7R,-55DEG CMIN,125DEG CMA	C616	2113945A11	CAP,CHIP,2200PF,+10%,-10%,50V-DC,0402,X7R,-55DEG CMIN,125DEG CM
C325	2113944A84	CAP,FXD,43PF,+5%,-5%,50V-DC,0402,C0G,-55DEG CMIN,125DEG CMAX,PB	C515	2113944A21	CAP,CHIP,6.8PF,5PF+/-,50V-DC,0402,C0G,-55DEG CMIN,125DEG CMAX	C602	2113945B02	CAP,CHIP,.01UF,+10%,-10%,25V-DC,0402,X7R,-55DEG CMIN,125DEG CMA	C617	2113946B04	CAP,CHIP,.1UF,+10%,-10%,10V-DC,0402,X5R,-55DEG CMIN,85DEG CMAX
C326	2113944A21	CAP,CHIP,6.8PF,5PF+/-,50V-DC,0402,C0G,-55DEG CMIN,125DEG CMAX	C516	2113944A11	CAP,CHIP,2.7PF,.25PF+/-,50V-DC,0402,C0G,-55DEG CMIN,125DEG CMA	C603	2113945B02	CAP,CHIP,.01UF,+10%,-10%,25V-DC,0402,X7R,-55DEG CMIN,125DEG CMA	C618	2113944A31	CAP,CHIP,33PF,+5%,-5%,50V-DC,0402,C0G,-55DEG CMIN,125DEG CMAX,P
C327	2113944A28	CAP,CHIP,18PF,+5%,-5%,50V-DC,0402,C0G,-55DEG CMIN,125DEG CMAX,P	C517	2113946B04	CAP,CHIP,.1UF,+10%,-10%,10V-DC,0402,X5R,-55DEG CMIN,85DEG CMAX	C604	2113945B02	CAP,CHIP,.01UF,+10%,-10%,25V-DC,0402,X7R,-55DEG CMIN,125DEG CMA	C619	2113944A35	CAP,CHIP,62PF,+5%,-5%,50V-DC,0402,C0G,-55DEG CMIN,125DEG CMAX,P
C501	NOT PLACED	-	C518	2113945A09	CAP,CHIP,1000PF,+10%,-10%,50V-DC,0402,X7R,-55DEG CMIN,125DEG CM	C605	2113944A15	CAP,CHIP,3.9PF,.25PF+/-,50V-DC,0402,C0G,-55DEG CMIN,125DEG CMA	C620	2113946B04	CAP,CHIP,.1UF,+10%,-10%,10V-DC,0402,X5R,-55DEG CMIN,85DEG CMAX
C502	2113945A09	CAP,CHIP,1000PF,+10%,-10%,50V-DC,0402,X7R,-55DEG CMIN,125DEG CM	C519	2113944A28	CAP,CHIP,18PF,+5%,-5%,50V-DC,0402,C0G,-55DEG CMIN,125DEG CMAX,P	C606	2113946B04	CAP,CHIP,.1UF,+10%,-10%,10V-DC,0402,X5R,-55DEG CMIN,85DEG CMAX	C621	2113946B04	CAP,CHIP,.1UF,+10%,-10%,10V-DC,0402,X5R,-55DEG CMIN,85DEG CMAX
C503	2115153H41	CAP,FXD,22PF,+1%,-1%,50V-DC,0402,C0G	C520	2113945A09	CAP,CHIP,1000PF,+10%,-10%,50V-DC,0402,X7R,-55DEG CMIN,125DEG CM	C607	2113944A40	CAP,CHIP,100PF,+5%,-5%,50V-DC,0402,C0G,-55DEG CMIN,125DEG CMAX	C622	2113946C07	CAP,FXD,.33UF,+10%,-10%,10V-DC,0603,X5R,-55DEG CMIN,85DEG CMAX
C504	2113944A40	CAP,CHIP,100PF,+5%,-5%,50V-DC,0402,C0G,-55DEG CMIN,125DEG CMAX	C521	2113945A09	CAP,CHIP,1000PF,+10%,-10%,50V-DC,0402,X7R,-55DEG CMIN,125DEG CM	C608	2113944A12	CAP,CHIP,3PF,.25PF+/-,50V-DC,0402,C0G,-55DEG CMIN,125DEG CMAX	C623	2113945B02	CAP,CHIP,.01UF,+10%,-10%,25V-DC,0402,X7R,-55DEG CMIN,125DEG CMA
C505	2113946B04	CAP,CHIP,.1UF,+10%,-10%,10V-DC,0402,X5R,-55DEG CMIN,85DEG CMAX	C522	2113944A27	CAP,CHIP,15PF,+5%,-5%,50V-DC,0402,C0G,-55DEG CMIN,125DEG CMAX,P	C609	2113944A30	CAP,CHIP,27PF,+5%,-5%,50V-DC,0402,C0G,-55DEG CMIN,125DEG CMAX,P	C624	2113946C07	CAP,FXD,.33UF,+10%,-10%,10V-DC,0603,X5R,-55DEG CMIN,85DEG CMAX
C506	2113946B04	CAP,CHIP,.1UF,+10%,-10%,10V-DC,0402,X5R,-55DEG CMIN,85DEG CMAX	C523	2113944A48	CAP,CHIP,470PF,+5%,-5%,50V-DC,0402,C0G,-55DEG CMIN,125DEG CMAX	C610	2113944A40	CAP,CHIP,100PF,+5%,-5%,50V-DC,0402,C0G,-55DEG CMIN,125DEG CMAX	C625	2113944A28	CAP,CHIP,18PF,+5%,-5%,50V-DC,0402,C0G,-55DEG CMIN,125DEG CMAX,P
C508	2113945A09	CAP,CHIP,1000PF,+10%,-10%,50V-DC,0402,X7R,-55DEG CMIN,125DEG CM	C524	2113944A30	CAP,CHIP,27PF,+5%,-5%,50V-DC,0402,C0G,-55DEG CMIN,125DEG CMAX,P	C611	2113944A40	CAP,CHIP,100PF,+5%,-5%,50V-DC,0402,C0G,-55DEG CMIN,125DEG CMAX	C626	2113945A09	CAP,CHIP,1000PF,+10%,-10%,50V-DC,0402,X7R,-55DEG CMIN,125DEG CM
C509	2113945A09	CAP,CHIP,1000PF,+10%,-10%,50V-DC,0402,X7R,-55DEG CMIN,125DEG CM	C525	2115153H03	CAP,CER CHIP,1PF,.1PF+/-,50V-DC,0402,C0G	C612	2113945B02	CAP,CHIP,.01UF,+10%,-10%,25V-DC,0402,X7R,-55DEG CMIN,125DEG CMA	C627	2113945A09	CAP,CHIP,1000PF,+10%,-10%,50V-DC,0402,X7R,-55DEG CMIN,125DEG CM
C510	2113944A52	CAP,CHIP,1000PF,+5%,-5%,50V-DC,0402,C0G,-55DEG CMIN,125DEG CMAX	C526	2115153H41	CAP,FXD,22PF,+1%,-1%,50V-DC,0402,C0G	C613	2113944A40	CAP,CHIP,100PF,+5%,-5%,50V-DC,0402,C0G,-55DEG CMIN,125DEG CMAX	C628	2113945B02	CAP,CHIP,.01UF,+10%,-10%,25V-DC,0402,X7R,-55DEG CMIN,125DEG CMA
C511	2113944A40	CAP,CHIP,100PF,+5%,-5%,50V-DC,0402,C0G,-55DEG CMIN,125DEG CMAX	C527	2115153H20	CAP,FXD,5.1PF,.1PF+/-,+2%,-2%,50V-DC,0402,C0G						

Ref. Des.	Part Number	Description	Ref. Des.	Part Number	Description	Ref. Des.	Part Number	Description	Ref. Des.	Part Number	Description
C629	2113946B04	CAP,CHIP,.1UF,+10%,-10%,10V-DC,0402,X5R,-55DEG CMIN,85DEG CMAX	C701	2113944A44	CAP,CHIP,220PF,+5%,-5%,50V-DC,0402,C0G,-55DEG CMIN,125DEG CMAX	C726	2113945C31	CAP,FXD,.1UF,+10%,-10%,50V-DC,0603,X7R,-55DEG CMIN,125DEG CMAX	C754	NOT PLACED	-
C630	2113946B04	CAP,CHIP,.1UF,+10%,-10%,10V-DC,0402,X5R,-55DEG CMIN,85DEG CMAX	C702	2113944A44	CAP,CHIP,220PF,+5%,-5%,50V-DC,0402,C0G,-55DEG CMIN,125DEG CMAX	C730	2113945C31	CAP,FXD,.1UF,+10%,-10%,50V-DC,0603,X7R,-55DEG CMIN,125DEG CMAX	C756	2113955D37	CAP,FXD,10UF,+10%,-10%,16V-DC,1206,X7R,-55DEG CMIN,125DEG CMAX
C631	2113944A27	CAP,CHIP,15PF,+5%,-5%,50V-DC,0402,C0G,-55DEG CMIN,125DEG CMAX,P	C704	2113944A35	CAP,CHIP,62PF,+5%,-5%,50V-DC,0402,C0G,-55DEG CMIN,125DEG CMAX,P	C731	2113945C31	CAP,FXD,.1UF,+10%,-10%,50V-DC,0603,X7R,-55DEG CMIN,125DEG CMAX	C757	2113945C31	CAP,FXD,.1UF,+10%,-10%,50V-DC,0603,X7R,-55DEG CMIN,125DEG CMAX
C632	2113944A40	CAP,CHIP,100PF,+5%,-5%,50V-DC,0402,C0G,-55DEG CMIN,125DEG CMAX	C705	2113944A44	CAP,CHIP,220PF,+5%,-5%,50V-DC,0402,C0G,-55DEG CMIN,125DEG CMAX	C732	2113944A32	CAP,CHIP,39PF,+5%,-5%,50V-DC,0402,C0G,-55DEG CMIN,125DEG CMAX,P	C758	2113946B02	CAP,CHIP,.047UF,+10%,-10%,10V-DC,0402,X5R,-55DEG CMIN,85DEG CMA
C633	2113945B02	CAP,CHIP,.01UF,+10%,-10%,25V-DC,0402,X7R,-55DEG CMIN,125DEG CMA	C709	2113944A44	CAP,CHIP,220PF,+5%,-5%,50V-DC,0402,C0G,-55DEG CMIN,125DEG CMAX	C734	2113945C31	CAP,FXD,.1UF,+10%,-10%,50V-DC,0603,X7R,-55DEG CMIN,125DEG CMAX	C759	2113945G95	CAP,FXD,.22UF,+10%,-10%,50V-DC,0805,X7R,-55DEG CMIN,125DEG CMAX
C634	2113946B04	CAP,CHIP,.1UF,+10%,-10%,10V-DC,0402,X5R,-55DEG CMIN,85DEG CMAX	C710	2113944A49	CAP,CHIP,560PF,+5%,-5%,50V-DC,0402,C0G,-55DEG CMIN,125DEG CMAX	C736	2113945B02	CAP,CHIP,.01UF,+10%,-10%,25V-DC,0402,X7R,-55DEG CMIN,125DEG CMA	C760	2113944G97	CAP,FXD,.082UF,+5%,-5%,50V-DC,1206,C0G,-55DEG CMIN,125DEG CMAX
C635	2113945B02	CAP,CHIP,.01UF,+10%,-10%,25V-DC,0402,X7R,-55DEG CMIN,125DEG CMA	C711	2113944A34	CAP,CHIP,56PF,+5%,-5%,50V-DC,0402,C0G,-55DEG CMIN,125DEG CMAX,P	C737	2113945C31	CAP,FXD,.1UF,+10%,-10%,50V-DC,0603,X7R,-55DEG CMIN,125DEG CMAX	C762	2113945C26	CAP,FXD,.039UF,+10%,-10%,50V-DC,0603,X7R,-55DEG CMIN,125DEG CMA
C636	2113946B04	CAP,CHIP,.1UF,+10%,-10%,10V-DC,0402,X5R,-55DEG CMIN,85DEG CMAX	C712	NOT PLACED	-	C739	2113944A17	CAP,CHIP,4.7PF,.25PF+/-,50V-DC,0402,C0G,-55DEG CMIN,125DEG CMA	C763	2113944G97	CAP,FXD,.082UF,+5%,-5%,50V-DC,1206,C0G,-55DEG CMIN,125DEG CMAX
C637	2113946B04	CAP,CHIP,.1UF,+10%,-10%,10V-DC,0402,X5R,-55DEG CMIN,85DEG CMAX	C715	2113945C31	CAP,FXD,.1UF,+10%,-10%,50V-DC,0603,X7R,-55DEG CMIN,125DEG CMAX	C742	2113945C31	CAP,FXD,.1UF,+10%,-10%,50V-DC,0603,X7R,-55DEG CMIN,125DEG CMAX	C763	2113944G97	CAP,FXD,.082UF,+5%,-5%,50V-DC,1206,C0G,-55DEG CMIN,125DEG CMAX
C638	2113945A12	CAP,CHIP,3300PF,+10%,-10%,50V-DC,0402,X7R,-55DEG CMIN,125DEG CM	C716	2113945C31	CAP,FXD,.1UF,+10%,-10%,50V-DC,0603,X7R,-55DEG CMIN,125DEG CMAX	C744	2113955D37	CAP,FXD,10UF,+10%,-10%,16V-DC,1206,X7R,-55DEG CMIN,125DEG CMAX	C765	2113944G97	CAP,FXD,.082UF,+5%,-5%,50V-DC,1206,C0G,-55DEG CMIN,125DEG CMAX
C639	2113945B02	CAP,CHIP,.01UF,+10%,-10%,25V-DC,0402,X7R,-55DEG CMIN,125DEG CMA	C717	2113945C31	CAP,FXD,.1UF,+10%,-10%,50V-DC,0603,X7R,-55DEG CMIN,125DEG CMAX	C747	2113944A44	CAP,CHIP,220PF,+5%,-5%,50V-DC,0402,C0G,-55DEG CMIN,125DEG CMAX	C765	2113944G97	CAP,FXD,.082UF,+5%,-5%,50V-DC,1206,C0G,-55DEG CMIN,125DEG CMAX
C640	2113946B04	CAP,CHIP,.1UF,+10%,-10%,10V-DC,0402,X5R,-55DEG CMIN,85DEG CMAX	C718	2113945C31	CAP,FXD,.1UF,+10%,-10%,50V-DC,0603,X7R,-55DEG CMIN,125DEG CMAX	C748	2113944A44	CAP,CHIP,220PF,+5%,-5%,50V-DC,0402,C0G,-55DEG CMIN,125DEG CMAX	C766	2113945C01	CAP,CHIP,6800PF,+10%,-10%,50V-DC,0603,X7R,-55DEG CMIN,125DEG CM
C641	2113944A31	CAP,CHIP,33PF,+5%,-5%,50V-DC,0402,C0G,-55DEG CMIN,125DEG CMAX,P	C719	2113945C31	CAP,FXD,.1UF,+10%,-10%,50V-DC,0603,X7R,-55DEG CMIN,125DEG CMAX	C749	2113945C31	CAP,FXD,.1UF,+10%,-10%,50V-DC,0603,X7R,-55DEG CMIN,125DEG CMAX	C768	2113944G97	CAP,FXD,.082UF,+5%,-5%,50V-DC,1206,C0G,-55DEG CMIN,125DEG CMAX
C642	2113944A48	CAP,CHIP,470PF,+5%,-5%,50V-DC,0402,C0G,-55DEG CMIN,125DEG CMAX	C724	2113955D37	CAP,FXD,10UF,+10%,-10%,16V-DC,1206,X7R,-55DEG CMIN,125DEG CMAX	C750	2113945C31	CAP,FXD,.1UF,+10%,-10%,50V-DC,0603,X7R,-55DEG CMIN,125DEG CMAX	C768	2113944G97	CAP,FXD,.082UF,+5%,-5%,50V-DC,1206,C0G,-55DEG CMIN,125DEG CMAX
C643	2113944A48	CAP,CHIP,470PF,+5%,-5%,50V-DC,0402,C0G,-55DEG CMIN,125DEG CMAX	C725	2113945C31	CAP,FXD,.1UF,+10%,-10%,50V-DC,0603,X7R,-55DEG CMIN,125DEG CMAX	C752	2113944A43	CAP,CHIP,180PF,+5%,-5%,50V-DC,0402,C0G,-55DEG CMIN,125DEG CMAX	C769	2113945C20	CAP,FXD,.016UF,+10%,-10%,50V-DC,0603,X7R,-55DEG CMIN,125DEG CMA

Ref. Des.	Part Number	Description	Ref. Des.	Part Number	Description	Ref. Des.	Part Number	Description	Ref. Des.	Part Number	Description
C770	2113944G97	CAP,FXD,.082UF,+5%,-5%,50V-DC,1206,C0G,-55DEG CMIN,125DEG CMAX	C797	2113944A40	CAP,CHIP,100PF,+5%,-5%,50V-DC,0402,C0G,-55DEG CMIN,125DEG CMAX	C830	2113944A44	CAP,CHIP,220PF,+5%,-5%,50V-DC,0402,C0G,-55DEG CMIN,125DEG CMAX	C908	2113944C04	CAP,CHIP,330PF,+5%,-5%,50V-DC,0603,C0G,-55DEG CMIN,125DEG CMAX
C770	2113944G97	CAP,FXD,.082UF,+5%,-5%,50V-DC,1206,C0G,-55DEG CMIN,125DEG CMAX	C798	2113945A09	CAP,CHIP,1000PF,+10%,-10%,50V-DC,0402,X7R,-55DEG CMIN,125DEG CM	C831	2113944A40	CAP,CHIP,100PF,+5%,-5%,50V-DC,0402,C0G,-55DEG CMIN,125DEG CMAX	C909	2113944C04	CAP,CHIP,330PF,+5%,-5%,50V-DC,0603,C0G,-55DEG CMIN,125DEG CMAX
C771	2113944A40	CAP,CHIP,100PF,+5%,-5%,50V-DC,0402,C0G,-55DEG CMIN,125DEG CMAX	C799	2113944A40	CAP,CHIP,100PF,+5%,-5%,50V-DC,0402,C0G,-55DEG CMIN,125DEG CMAX	C836	2113944A33	CAP,CHIP,47PF,+5%,-5%,50V-DC,0402,C0G,-55DEG CMIN,125DEG CMAX,P	C910	2113944C23	CAP,CHIP,5.1PF,.5PF+/-,50V-DC,0603,C0G,-55DEG CMIN,125DEG CMAX
C775	2113945A09	CAP,CHIP,1000PF,+10%,-10%,50V-DC,0402,X7R,-55DEG CMIN,125DEG CM	C800	2113944A29	CAP,CHIP,22PF,+5%,-5%,50V-DC,0402,C0G,-55DEG CMIN,125DEG CMAX,P	C838	2113945A09	CAP,CHIP,1000PF,+10%,-10%,50V-DC,0402,X7R,-55DEG CMIN,125DEG CM	C911	2113945L49	CAP,FXD,.01UF,+5%,-5%,50V-DC,0603,X7R,-55DEG CMIN,125DEG CMAX,P
C777	2113944A31	CAP,CHIP,33PF,+5%,-5%,50V-DC,0402,C0G,-55DEG CMIN,125DEG CMAX,P	C801	2113944A21	CAP,CHIP,6.8PF,.5PF+/-,50V-DC,0402,C0G,-55DEG CMIN,125DEG CMAX	C844	2113944A26	CAP,CHIP,12PF,+5%,-5%,50V-DC,0402,C0G,-55DEG CMIN,125DEG CMAX,P	C911	2113945L49	CAP,FXD,.01UF,+5%,-5%,50V-DC,0603,X7R,-55DEG CMIN,125DEG CMAX,P
C779	2113944A40	CAP,CHIP,100PF,+5%,-5%,50V-DC,0402,C0G,-55DEG CMIN,125DEG CMAX	C802	2113946B06	CAP,CHIP,.22UF,+10%,-10%,10V-DC,0402,X5R,-55DEG CMIN,85DEG CMAX	C851	2113944A44	CAP,CHIP,220PF,+5%,-5%,50V-DC,0402,C0G,-55DEG CMIN,125DEG CMAX	C912	NOT PLACED	-
C783	2113944C53	CAP,CHIP,1500PF,+5%,-5%,50V-DC,0603,C0G,-55DEG CMIN,125DEG CMAX	C803	2113944A29	CAP,CHIP,22PF,+5%,-5%,50V-DC,0402,C0G,-55DEG CMIN,125DEG CMAX,P	C901	2113944M40	CAP,FXD,82PF,+2%,-2%,50V-DC,0603,C0G,-55DEG CMIN,125DEG CMAX,PB	C913	2113944M29	CAP,FXD,30PF,+2%,-2%,50V-DC,0603,C0G,-55DEG CMIN,125DEG CMAX,PB
C789	2113946B04	CAP,CHIP,.1UF,+10%,-10%,10V-DC,0402,X5R,-55DEG CMIN,85DEG CMAX	C804	2113944A40	CAP,CHIP,100PF,+5%,-5%,50V-DC,0402,C0G,-55DEG CMIN,125DEG CMAX	C902	2113944C04	CAP,CHIP,330PF,+5%,-5%,50V-DC,0603,C0G,-55DEG CMIN,125DEG CMAX	C914	2113944M18	CAP,FXD,10PF,+2.5%,-2.5%,50V-DC,0603,C0G,-55DEG CMIN,125DEG CMA
C790	2113946B04	CAP,CHIP,.1UF,+10%,-10%,10V-DC,0402,X5R,-55DEG CMIN,85DEG CMAX	C805	2113944A40	CAP,CHIP,100PF,+5%,-5%,50V-DC,0402,C0G,-55DEG CMIN,125DEG CMAX	C903	2113945L49	CAP,FXD,.01UF,+5%,-5%,50V-DC,0603,X7R,-55DEG CMIN,125DEG CMAX,P	C915	2113944C04	CAP,CHIP,330PF,+5%,-5%,50V-DC,0603,C0G,-55DEG CMIN,125DEG CMAX
C791	2113946B04	CAP,CHIP,.1UF,+10%,-10%,10V-DC,0402,X5R,-55DEG CMIN,85DEG CMAX	C806	2113946B06	CAP,CHIP,.22UF,+10%,-10%,10V-DC,0402,X5R,-55DEG CMIN,85DEG CMAX	C903	2113945L49	CAP,FXD,.01UF,+5%,-5%,50V-DC,0603,X7R,-55DEG CMIN,125DEG CMAX,P	C916	2113944M40	CAP,FXD,82PF,+2%,-2%,50V-DC,0603,C0G,-55DEG CMIN,125DEG CMAX,PB
C792	2113946B04	CAP,CHIP,.1UF,+10%,-10%,10V-DC,0402,X5R,-55DEG CMIN,85DEG CMAX	C810	2113944A44	CAP,CHIP,220PF,+5%,-5%,50V-DC,0402,C0G,-55DEG CMIN,125DEG CMAX	C904	2113944M36	CAP,FXD,56PF,+2%,-2%,50V-DC,0603,C0G,-55DEG CMIN,125DEG CMAX,PB	C917	NOT PLACED	-
C793	2113944A40	CAP,CHIP,100PF,+5%,-5%,50V-DC,0402,C0G,-55DEG CMIN,125DEG CMAX	C813	2113944A63	CAP,FXD,1PF,.25PF+/-,50V-DC,0402,C0G,-55DEG CMIN,125DEG CMAX,P	C905	2113945L49	CAP,FXD,.01UF,+5%,-5%,50V-DC,0603,X7R,-55DEG CMIN,125DEG CMAX,P	C918	2113944C04	CAP,CHIP,330PF,+5%,-5%,50V-DC,0603,C0G,-55DEG CMIN,125DEG CMAX
C794	NOT PLACED	-	C814	2113945A09	CAP,CHIP,1000PF,+10%,-10%,50V-DC,0402,X7R,-55DEG CMIN,125DEG CM	C905	2113945L49	CAP,FXD,.01UF,+5%,-5%,50V-DC,0603,X7R,-55DEG CMIN,125DEG CMAX,P	C919	2113944M22	CAP,FXD,15PF,+2%,-2%,50V-DC,0603,C0G,-55DEG CMIN,125DEG CMAX,PB
C795	2113944A40	CAP,CHIP,100PF,+5%,-5%,50V-DC,0402,C0G,-55DEG CMIN,125DEG CMAX	C816	2113944A31	CAP,CHIP,33PF,+5%,-5%,50V-DC,0402,C0G,-55DEG CMIN,125DEG CMAX,P	C906	2113944C04	CAP,CHIP,330PF,+5%,-5%,50V-DC,0603,C0G,-55DEG CMIN,125DEG CMAX	C920	21009257002	CAP,CER,39PF,+5%,-5%,50V-DC,0805,-55DEG CMIN,125DEG CMAX,0805
C796	2113944A40	CAP,CHIP,100PF,+5%,-5%,50V-DC,0402,C0G,-55DEG CMIN,125DEG CMAX	C820	2113944A44	CAP,CHIP,220PF,+5%,-5%,50V-DC,0402,C0G,-55DEG CMIN,125DEG CMAX	C907	2113944C04	CAP,CHIP,330PF,+5%,-5%,50V-DC,0603,C0G,-55DEG CMIN,125DEG CMAX	C921	21009257002	CAP,CER,39PF,+5%,-5%,50V-DC,0805,-55DEG CMIN,125DEG CMAX,0805
									C922	2113944M29	CAP,FXD,30PF,+2%,-2%,50V-DC,0603,C0G,-55DEG CMIN,125DEG CMAX,PB

Ref. Des.	Part Number	Description	Ref. Des.	Part Number	Description	Ref. Des.	Part Number	Description	Ref. Des.	Part Number	Description
C923	2113944M15	CAP,FXD,7.5PF,.1PF+/-,50V-DC,0603,C0G,-55DEG CMIN,125DEG CMAX	C1110	2113944A40	CAP,CHIP,100PF,+5%,-5%,50V-DC,0402,C0G,-55DEG CMIN,125DEG CMAX	C1128	2113945B02	CAP,CHIP,.01UF,+10%,-10%,25V-DC,0402,X7R,-55DEG CMIN,125DEG CMA	C1207	2113944M27	CAP,FXD,24PF,+2%,-2%,50V-DC,0603,C0G,-55DEG CMIN,125DEG CMAX,PB
C924	2113944M19	CAP,FXD,11PF,+2%,-2%,50V-DC,0603,C0G,-55DEG CMIN,125DEG CMAX,PB	C1111	2113945Y02	CAP,FXD,.1UF,+10%,-10%,16V-DC,0402,X7R,-55DEG CMIN,125DEG CMAX	C1129	2113945B02	CAP,CHIP,.01UF,+10%,-10%,25V-DC,0402,X7R,-55DEG CMIN,125DEG CMA	C1220	2113944M16	CAP,FXD,8.2PF,.1PF+/-,50V-DC,0603,C0G,-55DEG CMIN,125DEG CMAX
C925	2113944C04	CAP,CHIP,330PF,+5%,-5%,50V-DC,0603,C0G,-55DEG CMIN,125DEG CMAX	C1112	2113945B01	CAP,CHIP,6800PF,+10%,-10%,25V-DC,0402,X7R,-55DEG CMIN,125DEG CM	C1130	2113945B02	CAP,CHIP,.01UF,+10%,-10%,25V-DC,0402,X7R,-55DEG CMIN,125DEG CMA	C1221	2113944M27	CAP,FXD,24PF,+2%,-2%,50V-DC,0603,C0G,-55DEG CMIN,125DEG CMAX,PB
C927	NOT PLACED	-	C1113	2113945B02	CAP,CHIP,.01UF,+10%,-10%,25V-DC,0402,X7R,-55DEG CMIN,125DEG CMA	C1132	NOT PLACED	-	C1222	2113944C04	CAP,CHIP,330PF,+5%,-5%,50V-DC,0603,C0G,-55DEG CMIN,125DEG CMAX
C928	2113944M23	CAP,FXD,16PF,+2%,-2%,50V-DC,0603,C0G,-55DEG CMIN,125DEG CMAX,PB	C1116	2113945Y02	CAP,FXD,.1UF,+10%,-10%,16V-DC,0402,X7R,-55DEG CMIN,125DEG CMAX	C1134	2113945A13	CAP,CHIP,4700PF,+10%,-10%,50V-DC,0402,X7R,-55DEG CMIN,125DEG CM	C1226	2113944M11	CAP,FXD,5.1PF,.1PF+/-,50V-DC,0603,C0G,-55DEG CMIN,125DEG CMAX
C929	2113945A12	CAP,CHIP,3300PF,+10%,-10%,50V-DC,0402,X7R,-55DEG CMIN,125DEG CM	C1117	2113945A12	CAP,CHIP,3300PF,+10%,-10%,50V-DC,0402,X7R,-55DEG CMIN,125DEG CM	C1135	NOT PLACED	-	C1227	2113944M17	CAP,FXD,9.1PF,.1PF+/-,50V-DC,0603,C0G,-55DEG CMIN,125DEG CMAX
C930	2113945A12	CAP,CHIP,3300PF,+10%,-10%,50V-DC,0402,X7R,-55DEG CMIN,125DEG CM	C1118	2113945B02	CAP,CHIP,.01UF,+10%,-10%,25V-DC,0402,X7R,-55DEG CMIN,125DEG CMA	C1137	2113945B04	CAP,FXD,.022UF,+10%,-10%,25V-DC,0402,X7R,-55DEG CMIN,125DEG CMA	C1301	2113944M20	CAP,FXD,12PF,+2%,-2%,50V-DC,0603,C0G,-55DEG CMIN,125DEG CMAX,PB
C1101	2113945B02	CAP,CHIP,.01UF,+10%,-10%,25V-DC,0402,X7R,-55DEG CMIN,125DEG CMA	C1119	2113945B02	CAP,CHIP,.01UF,+10%,-10%,25V-DC,0402,X7R,-55DEG CMIN,125DEG CMA	C1138	2113945B04	CAP,FXD,.022UF,+10%,-10%,25V-DC,0402,X7R,-55DEG CMIN,125DEG CMA	C1302	2114036F74	CAP,FXD,1.8PF,.05PF+/-,25V-DC,0402,C0G,-55DEG CMIN,125DEG CMAX
C1102	2188468Y01	CAP,CHIP,1UF,+10,-10,25V-DC,0805,X7R	C1120	2113945B02	CAP,CHIP,.01UF,+10%,-10%,25V-DC,0402,X7R,-55DEG CMIN,125DEG CMA	C1139	2113944A25	CAP,CHIP,10PF,+5%,-5%,50V-DC,0402,C0G,-55DEG CMIN,125DEG CMAX,P	C1303	2113944A26	CAP,CHIP,12PF,+5%,-5%,50V-DC,0402,C0G,-55DEG CMIN,125DEG CMAX,P
C1103	2113945B02	CAP,CHIP,.01UF,+10%,-10%,25V-DC,0402,X7R,-55DEG CMIN,125DEG CMA	C1122	2175390H01	CAP,CER,2.2PF,50V-DC,C0G,CAP,2.2PF,0402,CERAMIC,50V	C1140	2113945A13	CAP,CHIP,4700PF,+10%,-10%,50V-DC,0402,X7R,-55DEG CMIN,125DEG CM	C1304	2113945A09	CAP,CHIP,1000PF,+10%,-10%,50V-DC,0402,X7R,-55DEG CMIN,125DEG CM
C1104	NOT PLACED	-	C1123	2113945B02	CAP,CHIP,.01UF,+10%,-10%,25V-DC,0402,X7R,-55DEG CMIN,125DEG CMA	C1141	2113945Y02	CAP,FXD,.1UF,+10%,-10%,16V-DC,0402,X7R,-55DEG CMIN,125DEG CMAX	C1305	2113944A30	CAP,CHIP,27PF,+5%,-5%,50V-DC,0402,C0G,-55DEG CMIN,125DEG CMAX,P
C1105	2113944A19	CAP,CHIP,5.6PF,.5PF+/-,50V-DC,0402,C0G,-55DEG CMIN,125DEG CMAX	C1124	2113945A13	CAP,CHIP,4700PF,+10%,-10%,50V-DC,0402,X7R,-55DEG CMIN,125DEG CM	C1142	2113945A09	CAP,CHIP,1000PF,+10%,-10%,50V-DC,0402,X7R,-55DEG CMIN,125DEG CM	C1306	2113945B02	CAP,CHIP,.01UF,+10%,-10%,25V-DC,0402,X7R,-55DEG CMIN,125DEG CMA
C1106	2113945B02	CAP,CHIP,.01UF,+10%,-10%,25V-DC,0402,X7R,-55DEG CMIN,125DEG CMA	C1125	NOT PLACED	-	C1149	2113944A40	CAP,CHIP,100PF,+5%,-5%,50V-DC,0402,C0G,-55DEG CMIN,125DEG CMAX	C1307	2113944A26	CAP,CHIP,12PF,+5%,-5%,50V-DC,0402,C0G,-55DEG CMIN,125DEG CMAX,P
C1107	2113944A40	CAP,CHIP,100PF,+5%,-5%,50V-DC,0402,C0G,-55DEG CMIN,125DEG CMAX	C1126	2113945A09	CAP,CHIP,1000PF,+10%,-10%,50V-DC,0402,X7R,-55DEG CMIN,125DEG CM	C1150	2175392H01	CAP,CER,1.2PF,50V-DC,C0G,CAP,1.2PF,0402,CERAMIC,50V	C1308	2113944A28	CAP,CHIP,18PF,+5%,-5%,50V-DC,0402,C0G,-55DEG CMIN,125DEG CMAX,P
C1108	2113946B03	CAP,CHIP,.068UF,+10%,-10%,10V-DC,0402,X5R,-55DEG CMIN,85DEG CMA	C1127	2113945Y02	CAP,FXD,.1UF,+10%,-10%,16V-DC,0402,X7R,-55DEG CMIN,125DEG CMAX	C1203	2113944M19	CAP,FXD,11PF,+2%,-2%,50V-DC,0603,C0G,-55DEG CMIN,125DEG CMAX,PB	C1309	2175389H01	CAP,.5PF,CAP,.5PF,CHIP,0402,CERAMIC,50V
C1109	2113944A40	CAP,CHIP,100PF,+5%,-5%,50V-DC,0402,C0G,-55DEG CMIN,125DEG CMAX				C1204	2113944M13	CAP,FXD,6.2PF,.1PF+/-,50V-DC,0603,C0G,-55DEG CMIN,125DEG CMAX			

Ref. Des.	Part Number	Description	Ref. Des.	Part Number	Description	Ref. Des.	Part Number	Description	Ref. Des.	Part Number	Description
C1310	2113944A17	CAP,CHIP,4.7PF,.25PF+/-,50V-DC,0402,C0G,-55DEG CMIN,125DEG CMA	C1615	2113944A40	CAP,CHIP,100PF,+5%,-5%,50V-DC,0402,C0G,-55DEG CMIN,125DEG CMAX	C1807	2113944M14	CAP,FXD,6.8PF,.1PF+/-,50V-DC,0603,C0G,-55DEG CMIN,125DEG CMAX	C2033	2115153H53	CAP,FXD,68PF,50V-DC,0402,C0G
C1601	2113944M42	CAP,FXD,100PF,+2%,-2%,50V-DC,0603,C0G,-55DEG CMIN,125DEG CMAX,P	C1616	2113944M33	CAP,FXD,43PF,+2%,-2%,50V-DC,0603,C0G,-55DEG CMIN,125DEG CMAX,PB	C1820	2113944M08	CAP,FXD,3.9PF,.1PF+/-,50V-DC,0603,C0G,-55DEG CMIN,125DEG CMAX	C2035	2115153H15	CAP,FXD,3.3PF,.1PF+/-,50V-DC,0402,C0G
C1602	2113944M42	CAP,FXD,100PF,+2%,-2%,50V-DC,0603,C0G,-55DEG CMIN,125DEG CMAX,P	C1617	NOT PLACED	-	C1821	2113944M17	CAP,FXD,9.1PF,.1PF+/-,50V-DC,0603,C0G,-55DEG CMIN,125DEG CMAX	C2036	2115153H07	CAP,FXD,1.5PF,.1PF+/-,50V-DC,0402,C0G
C1603	2113945L49	CAP,FXD,.01UF,+5%,-5%,50V-DC,0603,X7R,-55DEG CMIN,125DEG CMAX,P	C1618	2113944M42	CAP,FXD,100PF,+2%,-2%,50V-DC,0603,C0G,-55DEG CMIN,125DEG CMAX,P	C1822	2113944M42	CAP,FXD,100PF,+2%,-2%,50V-DC,0603,C0G,-55DEG CMIN,125DEG CMAX,P	C2037	2115153H12	CAP,FXD,2.4PF,.1PF+/-,+4.2%,-4.2%,50V-DC,0402,C0G
C1604	2113944M42	CAP,FXD,100PF,+2%,-2%,50V-DC,0603,C0G,-55DEG CMIN,125DEG CMAX,P	C1619	2113944M22	CAP,FXD,15PF,+2%,-2%,50V-DC,0603,C0G,-55DEG CMIN,125DEG CMAX,PB	C1826	2113944M04	CAP,FXD,2.7PF,.1PF+/-,50V-DC,0603,C0G,-55DEG CMIN,125DEG CMAX	C2038	2115153H09	CAP,FXD,1.8PF,.1PF+/-,50V-DC,0402,C0G
C1605	2113945B02	CAP,CHIP,.01UF,+10%,-10%,25V-DC,0402,X7R,-55DEG CMIN,125DEG CMA	C1620	2171741M01	CAP,FXD,47PF,+5%,-5%,50V-DC,COG,HI Q CAP	C1827	2113944M10	CAP,FXD,4.7PF,.1PF+/-,50V-DC,0603,C0G,-55DEG CMIN,125DEG CMAX	C2039	2115153H15	CAP,FXD,3.3PF,.1PF+/-,50V-DC,0402,C0G
C1606	2113944A40	CAP,CHIP,100PF,+5%,-5%,50V-DC,0402,C0G,-55DEG CMIN,125DEG CMAX	C1621	2171741M08	CAP,CER CHIP,22PF,+5%,-5%,50V-DC,C0G,-55DEG CMIN,125DEG CMAX,H	C2020	2113946D07	CAP,CHIP,4.7UF,+10%,-10%,6.3V-DC,0603,X5R,-55DEG CMIN,85DEG CMA	C2041	2113946B04	CAP,CHIP,.1UF,+10%,-10%,10V-DC,0402,X5R,-55DEG CMIN,85DEG CMAX
C1607	2113944M25	CAP,FXD,20PF,+2%,-2%,50V-DC,0603,C0G,-55DEG CMIN,125DEG CMAX,PB	C1622	2113944M23	CAP,FXD,16PF,+2%,-2%,50V-DC,0603,C0G,-55DEG CMIN,125DEG CMAX,PB	C2022	2113944A40	CAP,CHIP,100PF,+5%,-5%,50V-DC,0402,C0G,-55DEG CMIN,125DEG CMAX	C2042	2115153H14	CAP,FXD,3PF,.1PF+/-,50V-DC,0402,C0G
C1608	2113944M42	CAP,FXD,100PF,+2%,-2%,50V-DC,0603,C0G,-55DEG CMIN,125DEG CMAX,P	C1623	2113944C12	CAP,CHIP,1.8PF,.25PF+/-,50V-DC,0603,C0G,-55DEG CMIN,125DEG CMA	C2023	2113944A40	CAP,CHIP,100PF,+5%,-5%,50V-DC,0402,C0G,-55DEG CMIN,125DEG CMAX	C2044	2115153H26	CAP,CER CHIP,9.1PF,.1PF+/-,+1%,-1%,50V-DC,0402,C0G
C1609	2113944A40	CAP,CHIP,100PF,+5%,-5%,50V-DC,0402,C0G,-55DEG CMIN,125DEG CMAX	C1624	2113944M22	CAP,FXD,15PF,+2%,-2%,50V-DC,0603,C0G,-55DEG CMIN,125DEG CMAX,PB	C2024	2113946D07	CAP,CHIP,4.7UF,+10%,-10%,6.3V-DC,0603,X5R,-55DEG CMIN,85DEG CMA	C2052	2115153H41	CAP,FXD,22PF,+1%,-1%,50V-DC,0402,C0G
C1610	2113944M02	CAP,FXD,2.2PF,.1PF+/-,50V-DC,0603,C0G,-55DEG CMIN,125DEG CMAX	C1625	2113944M42	CAP,FXD,100PF,+2%,-2%,50V-DC,0603,C0G,-55DEG CMIN,125DEG CMAX,P	C2024	2113946D07	CAP,CHIP,4.7UF,+10%,-10%,6.3V-DC,0603,X5R,-55DEG CMIN,85DEG CMA	C2053	2115153H24	CAP,FXD,7.5PF,.1PF+/-,50V-DC,0402,C0G
C1611	2113945L49	CAP,FXD,.01UF,+5%,-5%,50V-DC,0603,X7R,-55DEG CMIN,125DEG CMAX,P	C1628	2113944M10	CAP,FXD,4.7PF,.1PF+/-,50V-DC,0603,C0G,-55DEG CMIN,125DEG CMAX	C2025	2113944A40	CAP,CHIP,100PF,+5%,-5%,50V-DC,0402,C0G,-55DEG CMIN,125DEG CMAX	C2053	2115153H24	CAP,FXD,7.5PF,.1PF+/-,50V-DC,0402,C0G
C1611	2113945L49	CAP,FXD,.01UF,+5%,-5%,50V-DC,0603,X7R,-55DEG CMIN,125DEG CMAX,P	C1629	2113945A12	CAP,CHIP,3300PF,+10%,-10%,50V-DC,0402,X7R,-55DEG CMIN,125DEG CM	C2026	2113946B04	CAP,CHIP,.1UF,+10%,-10%,10V-DC,0402,X5R,-55DEG CMIN,85DEG CMAX	C2054	2113944A40	CAP,CHIP,100PF,+5%,-5%,50V-DC,0402,C0G,-55DEG CMIN,125DEG CMAX
C1612	NOT PLACED	-	C1630	2113945A12	CAP,CHIP,3300PF,+10%,-10%,50V-DC,0402,X7R,-55DEG CMIN,125DEG CM	C2028	2115153H24	CAP,FXD,7.5PF,.1PF+/-,50V-DC,0402,C0G	C2055	2113946B04	CAP,CHIP,.1UF,+10%,-10%,10V-DC,0402,X5R,-55DEG CMIN,85DEG CMAX
C1613	2113944M42	CAP,FXD,100PF,+2%,-2%,50V-DC,0603,C0G,-55DEG CMIN,125DEG CMAX,P	C1803	2113944M08	CAP,FXD,3.9PF,.1PF+/-,50V-DC,0603,C0G,-55DEG CMIN,125DEG CMAX	C2029	2115153H41	CAP,FXD,22PF,+1%,-1%,50V-DC,0402,C0G	C2056	2115153H24	CAP,FXD,7.5PF,.1PF+/-,50V-DC,0402,C0G
			C1804	2113944M08	CAP,FXD,3.9PF,.1PF+/-,50V-DC,0603,C0G,-55DEG CMIN,125DEG CMAX	C2032	2115153H57	CAP,FXD,100PF,+1%,-1%,50V-DC,0402,C0G	C2056	2115153H24	CAP,FXD,7.5PF,.1PF+/-,50V-DC,0402,C0G
									C2057	2115153H41	CAP,FXD,22PF,+1%,-1%,50V-DC,0402,C0G
									C2058	2115153H13	CAP,FXD,2.7PF,.1PF+/-,50V-DC,0402,C0G
									C2059	2115153H16	CAP,FXD,3.6PF,.1PF+/-,+1%,-1%,50V-DC,0402,C0G

Ref. Des.	Part Number	Description
Q713	4805585Q32	XSTR,BIP RF SML SGNL,NPN, NE662M04,SM,SOT-343,3.3V, TRANSITO
Q714	4889394V04	XSTR,FET GP SS,MOSFET,N-CH,ENHN,SM,20V,.25W,PB-FREE TWO FETS
Q774	4885061Y01	XSTR,BIP RF SML SGNL,NPN, SM,12GHZ
Q842	4805585Q32	XSTR,BIP RF SML SGNL,NPN, NE662M04,SM,SOT-343,3.3V, TRANSITO
Q1101	4813973A32	XSTR,BIP GP SS,NPN,SM,SC-70,SMT,50V,.202W,100MA,PB-FREE
Q1102	4813973A32	XSTR,BIP GP SS,NPN,SM,SC-70,SMT,50V,.202W,100MA,PB-FREE
Q1102	4813973A32	XSTR,BIP GP SS,NPN,SM,SC-70,SMT,50V,.202W,100MA,PB-FREE
Q1103	4813970A59	XSTR,FET GP PWR,P-CH, ENHN,SM,SOT-23,20V,.4W,PB-FREE
Q1104	4813970A59	XSTR,FET GP PWR,P-CH, ENHN,SM,SOT-23,20V,.4W,PB-FREE
Q1105	NOT PLACED	-
Q2020	4813973A32	XSTR,BIP GP SS,NPN,SM,SC-70,SMT,50V,.202W,100MA,PB-FREE
Q2020	4813973A32	XSTR,BIP GP SS,NPN,SM,SC-70,SMT,50V,.202W,100MA,PB-FREE
Q2022	4813973M75	XSTR,BIP GP SS,PNP, BC858, SOT-563,SMT,-30V,.357W, -100MA,100MHZ
R101	0613952R01	RES,MF,10KOHM,5%,.0625W, SM,0402,200PPM/CEL,PB-FREE
R103	0613952R01	RES,MF,10KOHM,5%,.0625W, SM,0402,200PPM/CEL,PB-FREE
R201	0613952R25	RES,MF,100KOHM,5%,.0625W, SM,0402,200PPM/CEL,PB-FREE
R202	0613952Q89	RES,MF,4.7KOHM,5%,.0625W, SM,0402,200PPM/CEL,PB-FREE

Ref. Des.	Part Number	Description
R301	0613952R22	RES,MF,75KOHM,5%,.0625W, SM,0402,200PPM/CEL,PB-FREE
R302	0613952R27	RES,MF,120KOHM,5%,.0625W, SM,0402,200PPM/CEL,PB-FREE
R303	0613952R01	RES,MF,10KOHM,5%,.0625W, SM,0402,200PPM/CEL,PB-FREE
R304	0613952Q37	RES,MF,33OHM,5%,.0625W,SM, 0402,200PPM/CEL,PB-FREE
R305	0613952Q89	RES,MF,4.7KOHM,5%,.0625W, SM,0402,200PPM/CEL,PB-FREE
R306	0613952Q25	RES,MF,10OHM,5%,.0625W,SM, 0402,200PPM/CEL,PB-FREE
R307	0613952Q13	RES,MF,3.3OHM,5%,.0625W,SM, 0402,200PPM/CEL,PB-FREE
R501	NOT PLACED	-
R502	0613952Q45	RES,MF,68OHM,5%,.0625W,SM, 0402,200PPM/CEL,PB-FREE
R502	0613952Q45	RES,MF,68OHM,5%,.0625W,SM, 0402,200PPM/CEL,PB-FREE
R503	0613952R10	RES,MF,24KOHM,5%,.0625W, SM,0402,200PPM/CEL,PB-FREE
R504	0613952Q85	RES,MF,3.3KOHM,5%,.0625W, SM,0402,200PPM/CEL,PB-FREE
R505	0613952R31	RES,MF,180KOHM,5%,.0625W, SM,0402,200PPM/CEL,PB-FREE
R506	0613952Q53	RES,MF,150OHM,5%,.0625W, SM,0402,200PPM/CEL,PB-FREE
R507	0613952Q83	RES,MF,2.7KOHM,5%,.0625W, SM,0402,200PPM/CEL,PB-FREE
R508	0613952Q41	RES,MF,47OHM,5%,.0625W,SM, 0402,200PPM/CEL,PB-FREE
R509	0613952Q25	RES,MF,10OHM,5%,.0625W,SM, 0402,200PPM/CEL,PB-FREE
R511	0613952Q13	RES,MF,3.3OHM,5%,.0625W,SM, 0402,200PPM/CEL,PB-FREE
R512	NOT PLACED	-
R597	0613952R66	RES,MF,0OHM,5%,.0625W,SM, 0402,PB-FREE
R601	0613952Q41	RES,MF,47OHM,5%,.0625W,SM, 0402,200PPM/CEL,PB-FREE

Ref. Des.	Part Number	Description
R602	0613952Q63	RES,MF,390OHM,5%,.0625W, SM,0402,200PPM/CEL,PB-FREE
R603	0613952R25	RES,MF,100KOHM,5%,.0625W, SM,0402,200PPM/CEL,PB-FREE
R604	0613952Q63	RES,MF,390OHM,5%,.0625W, SM,0402,200PPM/CEL,PB-FREE
R605	0613952R01	RES,MF,10KOHM,5%,.0625W, SM,0402,200PPM/CEL,PB-FREE
R606	0613952R01	RES,MF,10KOHM,5%,.0625W, SM,0402,200PPM/CEL,PB-FREE
R607	0613952R25	RES,MF,100KOHM,5%,.0625W, SM,0402,200PPM/CEL,PB-FREE
R608	0613952R01	RES,MF,10KOHM,5%,.0625W, SM,0402,200PPM/CEL,PB-FREE
R609	0613952Q81	RES,MF,2.2KOHM,5%,.0625W, SM,0402,200PPM/CEL,PB-FREE
R610	0613952R25	RES,MF,100KOHM,5%,.0625W, SM,0402,200PPM/CEL,PB-FREE
R611	0613952R01	RES,MF,10KOHM,5%,.0625W,SM ,0402,200PPM/CEL,PB-FREE
R612	0613952Q94	RES,MF,7.5KOHM,5%,.0625W,S M,0402,200PPM/CEL,PB-FREE
R613	0613952Q82	RES,MF,2.4KOHM,5%,.0625W,S M,0402,200PPM/CEL,PB-FREE
R614	0613952R66	RES,MF,0OHM,5%,.0625W,SM,04 02,PB-FREE
R615	NOT PLACED	-
R616	NOT PLACED	-
R617	NOT PLACED	-
R618	NOT PLACED	-
R619	NOT PLACED	-
R620	NOT PLACED	-
R621	NOT PLACED	-
R623	NOT PLACED	-
R624	NOT PLACED	-
R698	0613952R66	RES,MF,0OHM,5%,.0625W,SM, 0402,PB-FREE
R699	0613952R66	RES,MF,0OHM,5%,.0625W,SM, 0402,PB-FREE

Ref. Des.	Part Number	Description
R701	0613952Q49	RES,MF,100OHM,5%,.0625W, SM,0402,200PPM/CEL,PB-FREE
R702	0613952R66	RES,MF,0OHM,5%,.0625W,SM, 0402,PB-FREE
R703	0613952Q42	RES,MF,51OHM,5%,.0625W,SM, 0402,200PPM/CEL,PB-FREE
R704	0613952Q42	RES,MF,51OHM,5%,.0625W,SM, 0402,200PPM/CEL,PB-FREE
R705	0613952Q25	RES,MF,10OHM,5%,.0625W,SM, 0402,200PPM/CEL,PB-FREE
R706	0613952R66	RES,MF,0OHM,5%,.0625W,SM, 0402,PB-FREE
R707	0613952R66	RES,MF,0OHM,5%,.0625W,SM, 0402,PB-FREE
R708	0613952Q49	RES,MF,100OHM,5%,.0625W, SM,0402,200PPM/CEL,PB-FREE
R709	0613952Q45	RES,MF,68OHM,5%,.0625W,SM, 0402,200PPM/CEL,PB-FREE
R709	0613952Q45	RES,MF,68OHM,5%,.0625W,SM, 0402,200PPM/CEL,PB-FREE
R710	0613952Q56	RES,MF,200OHM,5%,.0625W,SM, 0402,200PPM/CEL,PB-FREE
R711	0613952Q45	RES,MF,68OHM,5%,.0625W,SM, 0402,200PPM/CEL,PB-FREE
R711	0613952Q45	RES,MF,68OHM,5%,.0625W,SM, 0402,200PPM/CEL,PB-FREE
R712	0613952Q67	RES,MF,560OHM,5%,.0625W,SM, 0402,200PPM/CEL,PB-FREE
R713	0613952Q25	RES,MF,10OHM,5%,.0625W,SM, 0402,200PPM/CEL,PB-FREE
R714	0613952Q67	RES,MF,560OHM,5%,.0625W,SM, 0402,200PPM/CEL,PB-FREE
R721	0613952R01	RES,MF,10KOHM,5%,.0625W,SM ,0402,200PPM/CEL,PB-FREE
R729	0613952R09	RES,MF,22KOHM,5%,.0625W,SM ,0402,200PPM/CEL,PB-FREE
R743	0613952R17	RES,MF,47KOHM,5%,.0625W,SM ,0402,200PPM/CEL,PB-FREE
R745	0613952R09	RES,MF,22KOHM,5%,.0625W,SM ,0402,200PPM/CEL,PB-FREE

Ref. Des.	Part Number	Description	Ref. Des.	Part Number	Description	Ref. Des.	Part Number	Description	Ref. Des.	Part Number	Description
R751	0613952Q59	RES,MF,270OHM,5%,.0625W,SM,0402,200PPM/CEL,PB-FREE	R815	0613952Q34	RES,MF,240OHM,5%,.0625W,SM,0402,200PPM/CEL,PB-FREE	R1104	0613952Q49	RES,MF,100OHM,5%,.0625W,SM,0402,200PPM/CEL,PB-FREE	R1137	0613952R01	RES,MF,10KOHM,5%,.0625W,SM,0402,200PPM/CEL,PB-FREE
R752	NOT PLACED	-	R818	0613952Q23	RES,MF,8.2OHM,5%,.0625W,SM,0402,200PPM/CEL,PB-FREE	R1105	0613952Q49	RES,MF,100OHM,5%,.0625W,SM,0402,200PPM/CEL,PB-FREE	R1138	0613952R25	RES,MF,100KOHM,5%,.0625W,SM,0402,200PPM/CEL,PB-FREE
R753	NOT PLACED	-	R819	0613952Q59	RES,MF,270OHM,5%,.0625W,SM,0402,200PPM/CEL,PB-FREE	R1106	0613952Q25	RES,MF,10OHM,5%,.0625W,SM,0402,200PPM/CEL,PB-FREE	R1139	0613952R25	RES,MF,100KOHM,5%,.0625W,SM,0402,200PPM/CEL,PB-FREE
R754	0613952Q91	RES,MF,5.6KOHM,5%,.0625W,SM,0402,200PPM/CEL,PB-FREE	R822	0613952R08	RES,MF,20KOHM,5%,.0625W,SM,0402,200PPM/CEL,PB-FREE	R1107	0613952Q45	RES,MF,68OHM,5%,.0625W,SM,0402,200PPM/CEL,PB-FREE	R1140	0613952R25	RES,MF,100KOHM,5%,.0625W,SM,0402,200PPM/CEL,PB-FREE
R755	0613952R15	RES,MF,39KOHM,5%,.0625W,SM,0402,200PPM/CEL,PB-FREE	R823	0613952R19	RES,MF,56KOHM,5%,.0625W,SM,0402,200PPM/CEL,PB-FREE	R1108	0613952R23	RES,MF,82KOHM,5%,.0625W,SM,0402,200PPM/CEL,PB-FREE	R1141	0613952R42	RES,MF,510KOHM,5%,.0625W,SM,0402,200PPM/CEL,PB-FREE
R759	0613952Q69	RES,MF,680OHM,5%,.0625W,SM,0402,200PPM/CEL,PB-FREE	R827	0613952Q92	RES,MF,6.2KOHM,5%,.0625W,SM,0402,200PPM/CEL,PB-FREE	R1110	0613952R01	RES,MF,10KOHM,5%,.0625W,SM,0402,200PPM/CEL,PB-FREE	R1142	0613952R25	RES,MF,100KOHM,5%,.0625W,SM,0402,200PPM/CEL,PB-FREE
R761	0613952Q57	RES,MF,220OHM,5%,.0625W,SM,0402,200PPM/CEL,PB-FREE	R832	0613952Q29	RES,MF,15OHM,5%,.0625W,SM,0402,200PPM/CEL,PB-FREE	R1112	NOT PLACED	-	R1143	0613952R25	RES,MF,100KOHM,5%,.0625W,SM,0402,200PPM/CEL,PB-FREE
R762	0613952R02	RES,MF,11KOHM,5%,.0625W,SM,0402,200PPM/CEL,PB-FREE	R833	0613952Q49	RES,MF,100OHM,5%,.0625W,SM,0402,200PPM/CEL,PB-FREE	R1114	0613952Q49	RES,MF,100OHM,5%,.0625W,SM,0402,200PPM/CEL,PB-FREE	R1144	0613952R25	RES,MF,100KOHM,5%,.0625W,SM,0402,200PPM/CEL,PB-FREE
R764	0613952Q75	RES,MF,1.2KOHM,5%,.0625W,SM,0402,200PPM/CEL,PB-FREE	R840	0613952Q29	RES,MF,15OHM,5%,.0625W,SM,0402,200PPM/CEL,PB-FREE	R1115	0613952Q49	RES,MF,100OHM,5%,.0625W,SM,0402,200PPM/CEL,PB-FREE	R1145	0613952R25	RES,MF,100KOHM,5%,.0625W,SM,0402,200PPM/CEL,PB-FREE
R767	0613952Q45	RES,MF,68OHM,5%,.0625W,SM,0402,200PPM/CEL,PB-FREE	R848	0613952Q29	RES,MF,15OHM,5%,.0625W,SM,0402,200PPM/CEL,PB-FREE	R1116	0613952R01	RES,MF,10KOHM,5%,.0625W,SM,0402,200PPM/CEL,PB-FREE	R1146	0613952R25	RES,MF,100KOHM,5%,.0625W,SM,0402,200PPM/CEL,PB-FREE
R767	0613952Q45	RES,MF,68OHM,5%,.0625W,SM,0402,200PPM/CEL,PB-FREE	R849	0613952Q67	RES,MF,560OHM,5%,.0625W,SM,0402,200PPM/CEL,PB-FREE	R1117	0613952R22	RES,MF,75KOHM,5%,.0625W,SM,0402,200PPM/CEL,PB-FREE	R1151	0613952R01	RES,MF,10KOHM,5%,.0625W,SM,0402,200PPM/CEL,PB-FREE
R772	0613952Q37	RES,MF,33OHM,5%,.0625W,SM,0402,200PPM/CEL,PB-FREE	R901	0613952R01	RES,MF,10KOHM,5%,.0625W,SM,0402,200PPM/CEL,PB-FREE	R1121	0613952R12	RES,MF,30KOHM,5%,.0625W,SM,0402,200PPM/CEL,PB-FREE	R1152	0613952R01	RES,MF,10KOHM,5%,.0625W,SM,0402,200PPM/CEL,PB-FREE
R773	0613952Q91	RES,MF,5.6KOHM,5%,.0625W,SM,0402,200PPM/CEL,PB-FREE	R902	0613952R01	RES,MF,10KOHM,5%,.0625W,SM,0402,200PPM/CEL,PB-FREE	R1122	0613952R22	RES,MF,75KOHM,5%,.0625W,SM,0402,200PPM/CEL,PB-FREE	R1154	0613952R01	RES,MF,10KOHM,5%,.0625W,SM,0402,200PPM/CEL,PB-FREE
R776	0613952Q39	RES,MF,39OHM,5%,.0625W,SM,0402,200PPM/CEL,PB-FREE	R903	0613952R01	RES,MF,10KOHM,5%,.0625W,SM,0402,200PPM/CEL,PB-FREE	R1124	0613952Q42	RES,MF,51OHM,5%,.0625W,SM,0402,200PPM/CEL,PB-FREE	R1158	NOT PLACED	-
R778	0613952Q55	RES,MF,180OHM,5%,.0625W,SM,0402,200PPM/CEL,PB-FREE	R904	0613952R13	RES,MF,33KOHM,5%,.0625W,SM,0402,200PPM/CEL,PB-FREE	R1125	0613952R17	RES,MF,47KOHM,5%,.0625W,SM,0402,200PPM/CEL,PB-FREE	R1160	0613952R03	RES,MF,12KOHM,5%,.0625W,SM,0402,200PPM/CEL,PB-FREE
R807	0613952R09	RES,MF,22KOHM,5%,.0625W,SM,0402,200PPM/CEL,PB-FREE	R905	0613952Q73	RES,MF,1KOHM,5%,.0625W,SM,0402,200PPM/CEL,PB-FREE	R1126	0613952R08	RES,MF,20KOHM,5%,.0625W,SM,0402,200PPM/CEL,PB-FREE	R1161	0613952R01	RES,MF,10KOHM,5%,.0625W,SM,0402,200PPM/CEL,PB-FREE
R808	0613952R23	RES,MF,82KOHM,5%,.0625W,SM,0402,200PPM/CEL,PB-FREE	R906	0613952Q61	RES,MF,330OHM,5%,.0625W,SM,0402,200PPM/CEL,PB-FREE	R1127	0613952R08	RES,MF,20KOHM,5%,.0625W,SM,0402,200PPM/CEL,PB-FREE	R1162	0613952R29	RES,MF,150KOHM,5%,.0625W,SM,0402,200PPM/CEL,PB-FREE
R809	0613952Q91	RES,MF,5.6KOHM,5%,.0625W,SM,0402,200PPM/CEL,PB-FREE	R1101	0613952R25	RES,MF,100KOHM,5%,.0625W,SM,0402,200PPM/CEL,PB-FREE	R1128	0613952R01	RES,MF,10KOHM,5%,.0625W,SM,0402,200PPM/CEL,PB-FREE	R1163	0613952R01	RES,MF,10KOHM,5%,.0625W,SM,0402,200PPM/CEL,PB-FREE
R811	0613952Q39	RES,MF,39OHM,5%,.0625W,SM,0402,200PPM/CEL,PB-FREE	R1102	0613952R25	RES,MF,100KOHM,5%,.0625W,SM,0402,200PPM/CEL,PB-FREE	R1129	NOT PLACED	-	R1164	0613952R01	RES,MF,10KOHM,5%,.0625W,SM,0402,200PPM/CEL,PB-FREE
R812	0613952Q47	RES,MF,82OHM,5%,.0625W,SM,0402,200PPM/CEL,PB-FREE	R1103	06009259001	RES,SHUNT,.02OHM,.25W,SMD,LOW RESISTANCE THK FLM RES	R1130	NOT PLACED	-	R1165	0613952Q56	RES,MF,200OHM,5%,.0625W,SM,0402,200PPM/CEL,PB-FREE
R813	0613952Q69	RES,MF,680OHM,5%,.0625W,SM,0402,200PPM/CEL,PB-FREE				R1135	0613952R66	RES,MF,0OHM,5%,.0625W,SM,0402,PB-FREE	R1166	0613952Q56	RES,MF,200OHM,5%,.0625W,SM,0402,200PPM/CEL,PB-FREE
						R1136	0613952R01	RES,MF,10KOHM,5%,.0625W,SM,0402,200PPM/CEL,PB-FREE			

Ref. Des.	Part Number	Description	Ref. Des.	Part Number	Description	Ref. Des.	Part Number	Description	Ref. Des.	Part Number	Description
R1167	0613952R01	RES,MF,10KOHM,5%,.0625W,SM,0402,200PPM/CEL,PB-FREE	R1603	0613952R08	RES,MF,20KOHM,5%,.0625W,SM,0402,200PPM/CEL,PB-FREE	SH5	2675879B01	SHLD,STL,SN PLT,SHIELD,DRVR PA	U601	5102495J14	IC,IF,IF DIGITILIZING SUBSYSTEM IC,AD9864,QFN
R1168	0613952R66	RES,MF,0OHM,5%,.0625W,SM,0402,PB-FREE	R1604	0613952R13	RES,MF,33KOHM,5%,.0625W,SM,0402,200PPM/CEL,PB-FREE	SH6	2675876B01	SHLD,STL,SN PLT,SHIELD, VCO	U602	4885316E32	XSTR,BIP RF SML SGNL,SLCN,BFR380F,SM,SMT,6V,380W,80A,14MHZ,TR
R1169	0613952P52	RES,MF,340KOHM,1%,.0625W,SM,0402,200PPM/CEL,PB-FREE	R1605	0613952Q73	RES,MF,1KOHM,5%,.0625W,SM,0402,200PPM/CEL,PB-FREE	SH7	2675874B01	SHLD,STL,SN PLT,SHIELD, MXR	U603	5109522E84	IC,DUAL SCHMITT TRIG MICRO PAK
R1170	0613952N88	RES,MF,80.6KOHM,1%,.0625W,SM,0402,200PPM/CEL,PB-FREE	R1606	0613952H61	RES,MF,330OHM,5%,.1W,SM,0603,200PPM/CEL,PB-FREE	SH8	2675932B01	SHLD,SHIELD, 2ND LO VCO	U604	5109522E84	IC,DUAL SCHMITT TRIG MICRO PAK
R1171	0613952R66	RES,MF,0OHM,5%,.0625W,SM,0402,PB-FREE	R1606	NOT PLACED	-	SH9	2675934B01	SHLD,SHIELD, DC	U605	5164852H16	IC,TRANSLATING,2PER PKG,LVC2T45,TRANSCEIVER W/ VOLTAGE TRANSLATI
R1172	0613952Q89	RES,MF,4.7KOHM,5%,.0625W,SM,0402,200PPM/CEL,PB-FREE	R1801	0685524Y01	RES,0OHM	SH10	2675859B01	SHLD,STL,SN PLT,SHIELD, OUT MATCH	U605	5164852H16	IC,TRANSLATING,2PER PKG,LVC2T45,TRANSCEIVER W/ VOLTAGE TRANSLATI
R1174	0613952R01	RES,MF,10KOHM,5%,.0625W,SM,0402,200PPM/CEL,PB-FREE	R2006	0613952R01	RES,MF,10KOHM,5%,.0625W,SM,0402,200PPM/CEL,PB-FREE	SH11	2675877B01	SHLD,STL,SN PLT,SHIELD, ALC	U606	5164852H16	IC,TRANSLATING,2PER PKG,LVC2T45,TRANSCEIVER W/ VOLTAGE TRANSLATI
R1175	0613952R66	RES,MF,0OHM,5%,.0625W,SM,0402,PB-FREE	R2007	0613952R01	RES,MF,10KOHM,5%,.0625W,SM,0402,200PPM/CEL,PB-FREE	SH12	2675933B01	SHLD,SHIELD, IF AMP	U606	5164852H16	IC,TRANSLATING,2PER PKG,LVC2T45,TRANSCEIVER W/ VOLTAGE TRANSLATI
R1176	0613952Q73	RES,MF,1KOHM,5%,.0625W,SM,0402,200PPM/CEL,PB-FREE	R2008	0613952R01	RES,MF,10KOHM,5%,.0625W,SM,0402,200PPM/CEL,PB-FREE	SH13	2675870B01	SHLD,STL,SN PLT,SHIELD, HAR FLTR	U607	5186311J24	IC,BFR,1PER PKG,NC7SZ125, ACTIVE HIGH,BFR,3ST,SM,5.5
R1177	0613952R66	RES,MF,0OHM,5%,.0625W,SM,0402,PB-FREE	R2009	0613952R01	RES,MF,10KOHM,5%,.0625W,SM,0402,200PPM/CEL,PB-FREE	SH14	2671905H01	SHLD,CAN,STL,15.32MMLG,8.3MMW,2.35MM,SHIELD,REGLTR	U702	5164015H28	IC,CUST,MULTI PROTOCOL/BAND TRANSCVR IC,SM,BGA,TRIDENT, INTEG
R1178	0613952R01	RES,MF,10KOHM,5%,.0625W,SM,0402,200PPM/CEL,PB-FREE	R2010	0613952Q73	RES,MF,1KOHM,5%,.0625W,SM,0402,200PPM/CEL,PB-FREE	T503	2575851B01	XFMR,BALUN,RF XFMR BALUN	U703	5175772B06	IC,SERIAL INTERFACE I/O EXPANDER,QFN,24BITS,28-PORT I/O EXPA
R1179	0613952R66	RES,MF,0OHM,5%,.0625W,SM,0402,PB-FREE	R2011	0613952Q73	RES,MF,1KOHM,5%,.0625W,SM,0402,200PPM/CEL,PB-FREE	T504	2575851B01	XFMR,BALUN,RF XFMR BALUN	U708	5171972L01	IC,SW,SP3T RF SW
R1180	0613952R66	RES,MF,0OHM,5%,.0625W,SM,0402,PB-FREE	R2021	0613952R22	RES,MF,75KOHM,5%,.0625W,SM,0402,200PPM/CEL,PB-FREE	T505	2575851B01	XFMR,BALUN,RF XFMR BALUN	U709	5171972L01	IC,SW,SP3T RF SW
R1181	NOT PLACED	-	R2022	0613952R27	RES,MF,120KOHM,5%,.0625W,SM,0402,200PPM/CEL,PB-FREE	U101	5105443X07	IC,SERIAL EEPROM,32/64 KBIT,DFN,EEPROM 32KBIT SER SPI BUS	U710	5171972L01	IC,SW,SP3T RF SW
R1182	0613952R01	RES,MF,10KOHM,5%,.0625W,SM,0402,200PPM/CEL,PB-FREE	R2023	0613952R01	RES,MF,10KOHM,5%,.0625W,SM,0402,200PPM/CEL,PB-FREE	U200	5188493T01	IC,VREG/SWG,LP2989,SM,MINI SO-8 HI PRCN REG 5V	U711	5171972L01	IC,SW,SP3T RF SW
R1183	0613952Q73	RES,MF,1KOHM,5%,.0625W,SM,0402,200PPM/CEL,PB-FREE	R2024	0613952Q37	RES,MF,33OHM,5%,.0625W,SM,002,200PPM/CEL,PB-FREE	U201	5175771A99	IC,LNR V REGLTR,FXD,100MA,VFBGA,LOW NOISE, 100MA LINEAR REGL	U746	4805218N63	XSTR,GEN PURPOSE SMALL SIG,SOT-323,BROADBAND & XSTR BF
R1184	0613952Q81	RES,MF,2.2KOHM,5%,.0625W,SM,0402,200PPM/CEL,PB-FREE	R2025	0613952Q11	RES,MF,2.7OHM,5%,.0625W,SM,0402,200PPM/CEL,PB-FREE	U202	5175772B02	IC,LNR V REGLTR,FXD,1.8V,100MA,VFBGA,LINEAR REGLTR 100MA 1.8	U901	5175143H01	IC,WIDE SPLY RANGE OP AMP
R1304	NOT PLACED	-	R2035	0613952Q75	RES,MF,1.2KOHM,5%,.0625W,SM,0402,200PPM/CEL,PB-FREE	U203	5175772B01	IC,LNR V REGLTR,FXD,1.5V,350MA,VFBGA,LINEAR V REGLTR 350MA	U902	5115678H01	IC,RF AMPLIFIER,BGA,TSSOP16EP,30MHZMIN,941MHZ MAX,VHF/UHF/800
R1307	0613952Q73	RES,MF,1KOHM,5%,.0625W,SM,0402,200PPM/CEL,PB-FREE	SH1	2675871B01	SHLD,STL,SN PLT,SHIELD, FGU	U302	4885316E32	XSTR,BIP RF SML SGNL,SLCN,BFR380F,SM,SMT,6V,380W,80A,14MHZ,TR	U1101	5188032U43	IC,SENSING CIRCUIT,INA138,SM,SOT-23/5,1PER PKG,PB FREE
R1601	0613952Q96	RES,MF,9.1KOHM,5%,.0625W,SM,0402,200PPM/CEL,PB-FREE	SH2	2675872B01	SHLD,STL,SN PLT,SHIELD, XTAL	U501	5180428L15	SW,RF SWITCH,SPDT,SMT,6W,3V			
R1602	0613952R01	RES,MF,10KOHM,5%,.0625W,SM,0402,200PPM/CEL,PB-FREE	SH3	2675873B01	SHLD,STL,SN PLT,SHIELD, ABACUS	U502	5103535B53	IC,INVTR,DL,NC7WZ04L6X,2PER PKG,SC70			
			SH4	2675878B01	SHLD,STL,SN PLT,SHIELD, FRNT END	U506	5164852H82	IC,MXR,IC, MIXER/ BFR			

Ref. Des.	Part Number	Description	Ref. Des.	Part Number	Description	Ref. Des.	Part Number	Description	Ref. Des.	Part Number	Description
U1102	5175772B03	RF SWITCH,RF SWITCH,10W, RECONFIGURABLE 10W SP5T/ 3T RF SWITC	U1125	5175206H01	IC,DAC,W/ 5 PPM/C INT REF	U1142	5185941F56	IC,OP AMP,1PER PKG,RAIL-RAIL,SOIC,IC SNGL LV LP OP AMP	VR2006	4815096H01	DIODE,VCTR, @ 10V,1SV305G, SM,VCTR DIODE 1SV305
U1103	5185070Y01	IC,TEMP SENS	U1126	5109817F77	IC,COMPTR,LMV7275,SC70-5	U1143	5185941F56	IC,OP AMP,1PER PKG,RAIL-RAIL,SOIC,IC SNGL LV LP OP AMP	VR2007	4815096H01	DIODE,VCTR, @ 10V,1SV305G, SM,VCTR DIODE 1SV305
U1104	5185941F56	IC,OP AMP,1PER PKG,RAIL-RAIL,SOIC,IC SNGL LV LP OP AMP	U1127	5171779H01	IC,ANLG SW,SC70,SC70-6, 1PER PKG,SPDT ANLG SW	U1144	5171779H01	IC,ANLG SW,SC70,SC70-6, 1PER PKG,SPDT ANLG SW	VR2008	4815096H01	DIODE,VCTR, @ 10V,1SV305G, SM,VCTR DIODE 1SV305
U1105	5180390L83	IC,CNTRLR,SM,1PER PKG	U1128	5188085K11	IC,NAND,SINGLE 2 INPUT, SN74LVC1G00YZPR,SM,GATE, POS,5 DSBGA,PB-	U1144	5171779H01	IC,ANLG SW,SC70,SC70-6, 1PER PKG,SPDT ANLG SW	VR2010	4815096H01	DIODE,VCTR, @ 10V,1SV305G, SM,VCTR DIODE 1SV305
U1106	5175772B05	IC,LTC5532ES6,SOT-23,1PER PKG,PRCN RF DET	U1129	5175143H01	IC,WIDE SPLY RANGE OP AMP	U1144	5171779H01	IC,ANLG SW,SC70,SC70-6, 1PER PKG,SPDT ANLG SW	VR2020	4815096H01	DIODE,VCTR, @ 10V,1SV305G, SM,VCTR DIODE 1SV305
U1109	5114007M32	IC,OR,2PER PKG,SM,US8,PB-FREE	U1130	5175143H01	IC,WIDE SPLY RANGE OP AMP	U1145	5171779H01	IC,ANLG SW,SC70,SC70-6, 1PER PKG,SPDT ANLG SW	Y701	4871886H01	OSC,TCXO,16.8MHZ,SM, 16.8 MHZ VCTXO .8PPM
U1110	5180428L15	SW,RF SWITCH,SPDT,SMT,6W, 3V	U1131	5109817F77	IC,COMPTR,LMV7275,SC70-5	U1145	5171779H01	IC,ANLG SW,SC70,SC70-6, 1PER PKG,SPDT ANLG SW	Y704	5164852H68	OSC,VOLTAGE CONTROLLED, 411MHZ MAX,270MHZ MIN,SM, M9LX7WX2.5H,I
U1111	5175771A26	IC,SW,50OHM,CMOS FET SW SPDT, 10WATTS	U1132	5114007M28	IC,F-F/D,1PER PKG,17SZ74, N-I,SM,SOIC8,PB-FREE	U1146	5109522E93	GATE,OR,SN74LVC1G32YZPR, 1PER PKG,SM,2 INPUT IN NANO PKG	Y705	5164852H66	OSC,VOLTAGE CONTROLLED, 520MHZ MAX,380MHZ MIN,SM, M9LX7WX2.5H,I
U1112	5175772B04	IC,HMC468LP3E,QFN,1 DB LSB GAAS MMIC ATTEN	U1133	5171779H01	IC,ANLG SW,SC70,SC70-6, 1PER PKG,SPDT ANLG SW	U1147	5109522E94	GATE,AND,1PER PKG,SM, 2 INPUT IN NANO PKG	Y706	NOT PLACED	-
U1113	5185941F56	IC,OP AMP,1PER PKG,RAIL-RAIL,SOIC,IC SNGL LV LP OP AMP	U1133	5171779H01	IC,ANLG SW,SC70,SC70-6, 1PER PKG,SPDT ANLG SW	U1148	5185941F56	IC,OP AMP,1PER PKG,RAIL-RAIL,SOIC,IC SNGL LV LP OP AMP	Y707	5164852H67	OSC,VOLTAGE CONTROLLED, 824MHZ MAX,245MHZ MIN,SM, M9LX7WX2.5H,I
U1114	5185941F56	IC,OP AMP,1PER PKG,RAIL-RAIL,SOIC,IC SNGL LV LP OP AMP	U1136	5109522E94	GATE,AND,1PER PKG,SM,2 INPUT IN NANO PKG	U1304	5105739X13	IC,AMP,SIGE,QFN,QFN,18DB, 1.57GHZMIN,1.57GHZMAX, .9DB,SIGE GPS LO			
U1116	5109522E93	GATE,OR,SN74LVC1G32YZPR, 1PER PKG,SM,2 INPUT IN NANO PKG	U1137	5164852H16	IC,TRANSLATING,2PER PKG, LVC2T45,TRANSCEIVER W/ VOLTAGE TRANSLATI	U1601	5175143H01	IC,WIDE SPLY RANGE OP AMP			
U1117	5103535B53	IC,INVTR,DL,NC7WZ04L6X, 2PER PKG,SC70	U1138	5164852H16	IC,TRANSLATING,2PER PKG, LVC2T45,TRANSCEIVER W/ VOLTAGE TRANSLATI	U1602	5115678H01	IC,RF AMPLIFIER,BGA, TSSOP16EP,30MHZMIN,941MHZ MAX,VHF/UHF/800			
U1118	5188085K11	IC,NAND,SINGLE 2 INPUT, SN74LVC1G00YZPR,SM,GATE,P OS,5 DSBGA,PB-	U1139	5164852H16	IC,TRANSLATING,2PER PKG, LVC2T45,TRANSCEIVER W/ VOLTAGE TRANSLATI	U2032	4885316E32	XSTR,BIP RF SML SGNL,SLCN, BFR380F,SM,SMT,6V,380W,80A, 14MHZ,TR			
U1119	5186311J53	IC,AND,DUAL 2-INPUT AND GATE,NC7WZ08,2PER PKG,SM, MSOP	U1139	5164852H16	IC,TRANSLATING,2PER PKG, LVC2T45,TRANSCEIVER W/ VOLTAGE TRANSLATI	VR101	4813977M29	DIODE,VREF,MBZ5250,SM, SOT-23,20V,.225W,ZEN			
U1121	5114000B52	IC,XOR,LOGIC LEVEL SHIFTER, 1PER PKG,SM,SOT-353,PB-FREE	U1140	5171779H01	IC,ANLG SW,SC70,SC70-6, 1PER PKG,SPDT ANLG SW	VR200	4813977M29	DIODE,VREF,MBZ5250,SM, SOT-23,20V,.225W,ZEN			
U1122	5180428L15	SW,RF SWITCH,SPDT,SMT, 6W, 3V	U1140	5171779H01	IC,ANLG SW,SC70,SC70-6, 1PER PKG,SPDT ANLG SW	VR601	4805656W87	DIODE,VCTR, @ 15V,1SV279, SOD-523/SC-79,SOD-523/SC-79			
U1123	5188085K11	IC,NAND,SINGLE 2 INPUT, SN74LVC1G00YZPR,SM,GATE,P OS,5 DSBGA,PB-	U1141	5185941F56	IC,OP AMP,1PER PKG,RAIL-RAIL,SOIC,IC SNGL LV LP OP AMP	VR602	4805656W87	DIODE,VCTR, @ 15V,1SV279, SOD-523/SC-79,SOD-523/SC-79			
						VR2005	4815096H01	DIODE,VCTR, @ 10V,1SV305G, SM,VCTR DIODE 1SV305			

MNUT4000E UHF1/VHF Transceiver (RF)
Board Parts List

Ref. Des.	Part Number	Description
C101	2113944A46	CAP,CHIP,330PF,+5%,-5%,50V-DC,0402,C0G,-55DEG CMIN,125DEG CMAX
C200	2113945B02	CAP,CHIP,.01UF,+10%,-10%,25V-DC,0402,X7R,-55DEG CMIN,125DEG CMA
C201	2188468Y01	CAP,CHIP,1UF,+10,-10,25V-DC,0805,X7R
C202	2188468Y01	CAP,CHIP,1UF,+10,-10,25V-DC,0805,X7R
C203	2188468Y01	CAP,CHIP,1UF,+10,-10,25V-DC,0805,X7R
C204	2113955D35	CAP,FXD,4.7UF,+10%,-10%,16V-DC,1206,X7R,-55DEG CMIN,125DEG CMAX
C205	2113955D35	CAP,FXD,4.7UF,+10%,-10%,16V-DC,1206,X7R,-55DEG CMIN,125DEG CMAX
C206	2113945B02	CAP,CHIP,.01UF,+10%,-10%,25V-DC,0402,X7R,-55DEG CMIN,125DEG CMA
C207	2113956B91	CAP,FXD,1UF,+10%,-10%,16V-DC,0603,X5R,-55DEG CMIN,85DEG CMAX,PB
C208	2113956B91	CAP,FXD,1UF,+10%,-10%,16V-DC,0603,X5R,-55DEG CMIN,85DEG CMAX,PB
C208	2113956B91	CAP,FXD,1UF,+10%,-10%,16V-DC,0603,X5R,-55DEG CMIN,85DEG CMAX,PB
C209	2113956B91	CAP,FXD,1UF,+10%,-10%,16V-DC,0603,X5R,-55DEG CMIN,85DEG CMAX,PB
C209	2113956B91	CAP,FXD,1UF,+10%,-10%,16V-DC,0603,X5R,-55DEG CMIN,85DEG CMAX,PB
C210	2113956B91	CAP,FXD,1UF,+10%,-10%,16V-DC,0603,X5R,-55DEG CMIN,85DEG CMAX,PB
C210	2113956B91	CAP,FXD,1UF,+10%,-10%,16V-DC,0603,X5R,-55DEG CMIN,85DEG CMAX,PB

Ref. Des.	Part Number	Description
C212	2113946D07	CAP,CHIP,4.7UF,+10%,-10%,6.3V-DC,0603,X5R,-55DEG CMIN,85DEG CMA
C212	2113946D07	CAP,CHIP,4.7UF,+10%,-10%,6.3V-DC,0603,X5R,-55DEG CMIN,85DEG CMA
C213	2113944A46	CAP,CHIP,330PF,+5%,-5%,50V-DC,0402,C0G,-55DEG CMIN,125DEG CMAX
C214	2113944A31	CAP,CHIP,33PF,+5%,-5%,50V-DC,0402,C0G,-55DEG CMIN,125DEG CMAX,P
C215	2113944A46	CAP,CHIP,330PF,+5%,-5%,50V-DC,0402,C0G,-55DEG CMIN,125DEG CMAX
C216	2113944A31	CAP,CHIP,33PF,+5%,-5%,50V-DC,0402,C0G,-55DEG CMIN,125DEG CMAX,P
C217	2113956B91	CAP,FXD,1UF,+10%,-10%,16V-DC,0603,X5R,-55DEG CMIN,85DEG CMAX,PB
C217	2113956B91	CAP,FXD,1UF,+10%,-10%,16V-DC,0603,X5R,-55DEG CMIN,85DEG CMAX,PB
C301	2113944A30	CAP,CHIP,27PF,+5%,-5%,50V-DC,0402,C0G,-55DEG CMIN,125DEG CMAX,P
C302	2113944A28	CAP,CHIP,18PF,+5%,-5%,50V-DC,0402,C0G,-55DEG CMIN,125DEG CMAX,P
C303	2113944A28	CAP,CHIP,18PF,+5%,-5%,50V-DC,0402,C0G,-55DEG CMIN,125DEG CMAX,P
C304	2113944A81	CAP,FXD,24PF,+5%,-5%,50V-DC,0402,C0G,-55DEG CMIN,125DEG CMAX,PB
C305	2113944A17	CAP,CHIP,4.7PF,.25PF+/-,50V-DC,0402,C0G,-55DEG CMIN,125DEG CMA
C306	2113944A35	CAP,CHIP,62PF,+5%,-5%,50V-DC,0402,C0G,-55DEG CMIN,125DEG CMAX,P
C307	2113944A18	CAP,CHIP,5.1PF,.5PF+/-,50V-DC,0402,C0G,-55DEG CMIN,125DEG CMAX

Ref. Des.	Part Number	Description
C308	2113944A30	CAP,CHIP,27PF,+5%,-5%,50V-DC,0402,C0G,-55DEG CMIN,125DEG CMAX,P
C310	2113946D07	CAP,CHIP,4.7UF,+10%,-10%,6.3V-DC,0603,X5R,-55DEG CMIN,85DEG CMA
C310	2113946D07	CAP,CHIP,4.7UF,+10%,-10%,6.3V-DC,0603,X5R,-55DEG CMIN,85DEG CMA
C311	2113944A29	CAP,CHIP,22PF,+5%,-5%,50V-DC,0402,C0G,-55DEG CMIN,125DEG CMAX,P
C312	2113944A46	CAP,CHIP,330PF,+5%,-5%,50V-DC,0402,C0G,-55DEG CMIN,125DEG CMAX
C313	2113944A46	CAP,CHIP,330PF,+5%,-5%,50V-DC,0402,C0G,-55DEG CMIN,125DEG CMAX
C314	2113946D07	CAP,CHIP,4.7UF,+10%,-10%,6.3V-DC,0603,X5R,-55DEG CMIN,85DEG CMA
C314	2113946D07	CAP,CHIP,4.7UF,+10%,-10%,6.3V-DC,0603,X5R,-55DEG CMIN,85DEG CMA
C315	2113944A46	CAP,CHIP,330PF,+5%,-5%,50V-DC,0402,C0G,-55DEG CMIN,125DEG CMAX
C316	0613952Q25	RES,MF,10OHM,5%,.0625W,SM,0402,200PPM/CEL,PB-FREE
C317	2175389H01	CAP,.5PF,CAP,.5PF,CHIP,0402,CERAMIC,50V
C318	2113944A30	CAP,CHIP,27PF,+5%,-5%,50V-DC,0402,C0G,-55DEG CMIN,125DEG CMAX,P
C319	2113944A28	CAP,CHIP,18PF,+5%,-5%,50V-DC,0402,C0G,-55DEG CMIN,125DEG CMAX,P
C320	2113944A27	CAP,CHIP,15PF,+5%,-5%,50V-DC,0402,C0G,-55DEG CMIN,125DEG CMAX,P
C321	2113944A28	CAP,CHIP,18PF,+5%,-5%,50V-DC,0402,C0G,-55DEG CMIN,125DEG CMAX,P

Ref. Des.	Part Number	Description
C322	2113944A30	CAP,CHIP,27PF,+5%,-5%,50V-DC,0402,C0G,-55DEG CMIN,125DEG CMAX,P
C323	2113944A30	CAP,CHIP,27PF,+5%,-5%,50V-DC,0402,C0G,-55DEG CMIN,125DEG CMAX,P
C324	2113944A19	CAP,CHIP,5.6PF,.5PF+/-,50V-DC,0402,C0G,-55DEG CMIN,125DEG CMAX
C325	2113944A84	CAP,FXD,43PF,+5%,-5%,50V-DC,0402,C0G,-55DEG CMIN,125DEG CMAX,PB
C326	2113944A21	CAP,CHIP,6.8PF,.5PF+/-,50V-DC,0402,C0G,-55DEG CMIN,125DEG CMAX
C327	2113944A28	CAP,CHIP,18PF,+5%,-5%,50V-DC,0402,C0G,-55DEG CMIN,125DEG CMAX,P
C501	NOT PLACED	-
C502	2113945A09	CAP,CHIP,1000PF,+10%,-10%,50V-DC,0402,X7R,-55DEG CMIN,125DEG CM
C503	2115153H41	CAP,FXD,22PF,+1%,-1%,50V-DC,0402,C0G
C504	2113944A40	CAP,CHIP,100PF,+5%,-5%,50V-DC,0402,C0G,-55DEG CMIN,125DEG CMAX
C505	2113946B04	CAP,CHIP,.1UF,+10%,-10%,10V-DC,0402,X5R,-55DEG CMIN,85DEG CMAX
C506	2113946B04	CAP,CHIP,.1UF,+10%,-10%,10V-DC,0402,X5R,-55DEG CMIN,85DEG CMAX
C508	2113945A09	CAP,CHIP,1000PF,+10%,-10%,50V-DC,0402,X7R,-55DEG CMIN,125DEG CM
C509	2113945A09	CAP,CHIP,1000PF,+10%,-10%,50V-DC,0402,X7R,-55DEG CMIN,125DEG CM
C510	2113944A52	CAP,CHIP,1000PF,+5%,-5%,50V-DC,0402,C0G,-55DEG CMIN,125DEG CMAX
C511	2113944A40	CAP,CHIP,100PF,+5%,-5%,50V-DC,0402,C0G,-55DEG CMIN,125DEG CMAX

Ref. Des.	Part Number	Description	Ref. Des.	Part Number	Description	Ref. Des.	Part Number	Description	Ref. Des.	Part Number	Description
C701	2113944A44	CAP,CHIP,220PF,+5%,-5%,50V-DC,0402,C0G,-55DEG CMIN,125DEG CMAX	C726	2113945C31	CAP,FXD,.1UF,+10%,-10%,50V-DC,0603,X7R,-55DEG CMIN,125DEG CMAX	C754	NOT PLACED	-	C770	2113944G97	CAP,FXD,.082UF,+5%,-5%,50V-DC,1206,C0G,-55DEG CMIN,125DEG CMAX
C702	2113944A44	CAP,CHIP,220PF,+5%,-5%,50V-DC,0402,C0G,-55DEG CMIN,125DEG CMAX	C730	2113945C31	CAP,FXD,.1UF,+10%,-10%,50V-DC,0603,X7R,-55DEG CMIN,125DEG CMAX	C756	2113955D37	CAP,FXD,10UF,+10%,-10%,16V-DC,1206,X7R,-55DEG CMIN,125DEG CMAX	C770	2113944G97	CAP,FXD,.082UF,+5%,-5%,50V-DC,1206,C0G,-55DEG CMIN,125DEG CMAX
C704	2113944A35	CAP,CHIP,62PF,+5%,-5%,50V-DC,0402,C0G,-55DEG CMIN,125DEG CMAX,P	C731	2113945C31	CAP,FXD,.1UF,+10%,-10%,50V-DC,0603,X7R,-55DEG CMIN,125DEG CMAX	C757	2113945C31	CAP,FXD,.1UF,+10%,-10%,50V-DC,0603,X7R,-55DEG CMIN,125DEG CMAX	C771	2113944A40	CAP,CHIP,100PF,+5%,-5%,50V-DC,0402,C0G,-55DEG CMIN,125DEG CMAX
C705	2113944A44	CAP,CHIP,220PF,+5%,-5%,50V-DC,0402,C0G,-55DEG CMIN,125DEG CMAX	C732	2113944A32	CAP,CHIP,39PF,+5%,-5%,50V-DC,0402,C0G,-55DEG CMIN,125DEG CMAX,P	C758	2113946B02	CAP,CHIP,.047UF,+10%,-10%,10V-DC,0402,X5R,-55DEG CMIN,85DEG CMA	C775	2113945A09	CAP,CHIP,1000PF,+10%,-10%,50V-DC,0402,X7R,-55DEG CMIN,125DEG CM
C709	2113944A44	CAP,CHIP,220PF,+5%,-5%,50V-DC,0402,C0G,-55DEG CMIN,125DEG CMAX	C734	2113945C31	CAP,FXD,.1UF,+10%,-10%,50V-DC,0603,X7R,-55DEG CMIN,125DEG CMAX	C759	2113945G95	CAP,FXD,.22UF,+10%,-10%,50V-DC,0805,X7R,-55DEG CMIN,125DEG CMAX	C777	2113944A31	CAP,CHIP,33PF,+5%,-5%,50V-DC,0402,C0G,-55DEG CMIN,125DEG CMAX,P
C710	2113944A49	CAP,CHIP,560PF,+5%,-5%,50V-DC,0402,C0G,-55DEG CMIN,125DEG CMAX	C736	2113945B02	CAP,CHIP,.01UF,+10%,-10%,25V-DC,0402,X7R,-55DEG CMIN,125DEG CMA	C760	2113944G97	CAP,FXD,.082UF,+5%,-5%,50V-DC,1206,C0G,-55DEG CMIN,125DEG CMAX	C779	2113944A40	CAP,CHIP,100PF,+5%,-5%,50V-DC,0402,C0G,-55DEG CMIN,125DEG CMAX
C711	2113944A34	CAP,CHIP,56PF,+5%,-5%,50V-DC,0402,C0G,-55DEG CMIN,125DEG CMAX,P	C737	2113945C31	CAP,FXD,.1UF,+10%,-10%,50V-DC,0603,X7R,-55DEG CMIN,125DEG CMAX	C762	2113945C26	CAP,FXD,.039UF,+10%,-10%,50V-DC,0603,X7R,-55DEG CMIN,125DEG CMA	C783	2113944C53	CAP,CHIP,1500PF,+5%,-5%,50V-DC,0603,C0G,-55DEG CMIN,125DEG CMAX
C712	NOT PLACED	-	C739	2113944A17	CAP,CHIP,4.7PF,.25PF+/-,50V-DC,0402,C0G,-55DEG CMIN,125DEG CMA	C763	2113944G97	CAP,FXD,.082UF,+5%,-5%,50V-DC,1206,C0G,-55DEG CMIN,125DEG CMAX	C789	2113946B04	CAP,CHIP,.1UF,+10%,-10%,10V-DC,0402,X5R,-55DEG CMIN,85DEG CMAX
C715	2113945C31	CAP,FXD,.1UF,+10%,-10%,50V-DC,0603,X7R,-55DEG CMIN,125DEG CMAX	C742	2113945C31	CAP,FXD,.1UF,+10%,-10%,50V-DC,0603,X7R,-55DEG CMIN,125DEG CMAX	C763	2113944G97	CAP,FXD,.082UF,+5%,-5%,50V-DC,1206,C0G,-55DEG CMIN,125DEG CMAX	C790	2113946B04	CAP,CHIP,.1UF,+10%,-10%,10V-DC,0402,X5R,-55DEG CMIN,85DEG CMAX
C716	2113945C31	CAP,FXD,.1UF,+10%,-10%,50V-DC,0603,X7R,-55DEG CMIN,125DEG CMAX	C744	2113955D37	CAP,FXD,10UF,+10%,-10%,16V-DC,1206,X7R,-55DEG CMIN,125DEG CMAX	C765	2113944G97	CAP,FXD,.082UF,+5%,-5%,50V-DC,1206,C0G,-55DEG CMIN,125DEG CMAX	C791	2113946B04	CAP,CHIP,.1UF,+10%,-10%,10V-DC,0402,X5R,-55DEG CMIN,85DEG CMAX
C717	2113945C31	CAP,FXD,.1UF,+10%,-10%,50V-DC,0603,X7R,-55DEG CMIN,125DEG CMAX	C747	2113944A44	CAP,CHIP,220PF,+5%,-5%,50V-DC,0402,C0G,-55DEG CMIN,125DEG CMAX	C765	2113944G97	CAP,FXD,.082UF,+5%,-5%,50V-DC,1206,C0G,-55DEG CMIN,125DEG CMAX	C792	2113946B04	CAP,CHIP,.1UF,+10%,-10%,10V-DC,0402,X5R,-55DEG CMIN,85DEG CMAX
C718	2113945C31	CAP,FXD,.1UF,+10%,-10%,50V-DC,0603,X7R,-55DEG CMIN,125DEG CMAX	C748	2113944A44	CAP,CHIP,220PF,+5%,-5%,50V-DC,0402,C0G,-55DEG CMIN,125DEG CMAX	C766	2113945C01	CAP,CHIP,6800PF,+10%,-10%,50V-DC,0603,X7R,-55DEG CMIN,125DEG CM	C793	2113944A40	CAP,CHIP,100PF,+5%,-5%,50V-DC,0402,C0G,-55DEG CMIN,125DEG CMAX
C719	2113945C31	CAP,FXD,.1UF,+10%,-10%,50V-DC,0603,X7R,-55DEG CMIN,125DEG CMAX	C749	2113945C31	CAP,FXD,.1UF,+10%,-10%,50V-DC,0603,X7R,-55DEG CMIN,125DEG CMAX	C768	2113944G97	CAP,FXD,.082UF,+5%,-5%,50V-DC,1206,C0G,-55DEG CMIN,125DEG CMAX	C794	NOT PLACED	-
C724	2113955D37	CAP,FXD,10UF,+10%,-10%,16V-DC,1206,X7R,-55DEG CMIN,125DEG CMAX	C750	2113945C31	CAP,FXD,.1UF,+10%,-10%,50V-DC,0603,X7R,-55DEG CMIN,125DEG CMAX	C768	2113944G97	CAP,FXD,.082UF,+5%,-5%,50V-DC,1206,C0G,-55DEG CMIN,125DEG CMAX	C795	2113944A40	CAP,CHIP,100PF,+5%,-5%,50V-DC,0402,C0G,-55DEG CMIN,125DEG CMAX
C725	2113945C31	CAP,FXD,.1UF,+10%,-10%,50V-DC,0603,X7R,-55DEG CMIN,125DEG CMAX	C752	2113944A43	CAP,CHIP,180PF,+5%,-5%,50V-DC,0402,C0G,-55DEG CMIN,125DEG CMAX	C769	2113945C20	CAP,FXD,.016UF,+10%,-10%,50V-DC,0603,X7R,-55DEG CMIN,125DEG CMA	C796	2113944A40	CAP,CHIP,100PF,+5%,-5%,50V-DC,0402,C0G,-55DEG CMIN,125DEG CMAX

Ref. Des.	Part Number	Description	Ref. Des.	Part Number	Description	Ref. Des.	Part Number	Description	Ref. Des.	Part Number	Description
C797	2113944A40	CAP,CHIP,100PF,+5%,-5%,50V-DC,0402,C0G,-55DEG CMIN,125DEG CMAX	C830	2113944A44	CAP,CHIP,220PF,+5%,-5%,50V-DC,0402,C0G,-55DEG CMIN,125DEG CMAX	C908	2113944C04	CAP,CHIP,330PF,+5%,-5%,50V-DC,0603,C0G,-55DEG CMIN,125DEG CMAX	C923	2113944M15	CAP,FXD,7.5PF,.1PF+/-,50V-DC,0603,C0G,-55DEG CMIN,125DEG CMAX
C798	2113945A09	CAP,CHIP,1000PF,+10%,-10%,50V-DC,0402,X7R,-55DEG CMIN,125DEG CM	C831	2113944A40	CAP,CHIP,100PF,+5%,-5%,50V-DC,0402,C0G,-55DEG CMIN,125DEG CMAX	C909	2113944C04	CAP,CHIP,330PF,+5%,-5%,50V-DC,0603,C0G,-55DEG CMIN,125DEG CMAX	C924	2113944M19	CAP,FXD,11PF,+2%,-2%,50V-DC,0603,C0G,-55DEG CMIN,125DEG CMAX,PB
C799	2113944A40	CAP,CHIP,100PF,+5%,-5%,50V-DC,0402,C0G,-55DEG CMIN,125DEG CMAX	C836	2113944A33	CAP,CHIP,47PF,+5%,-5%,50V-DC,0402,C0G,-55DEG CMIN,125DEG CMAX,P	C910	2113944C23	CAP,CHIP,5.1PF,.5PF+/-,50V-DC,0603,C0G,-55DEG CMIN,125DEG CMAX	C925	2113944C04	CAP,CHIP,330PF,+5%,-5%,50V-DC,0603,C0G,-55DEG CMIN,125DEG CMAX
C800	2113944A29	CAP,CHIP,22PF,+5%,-5%,50V-DC,0402,C0G,-55DEG CMIN,125DEG CMAX,P	C838	2113945A09	CAP,CHIP,1000PF,+10%,-10%,50V-DC,0402,X7R,-55DEG CMIN,125DEG CM	C911	2113945L49	CAP,FXD,.01UF,+5%,-5%,50V-DC,0603,X7R,-55DEG CMIN,125DEG CMAX,P	C927	NOT PLACED	-
C801	2113944A21	CAP,CHIP,6.8PF,.5PF+/-,50V-DC,0402,C0G,-55DEG CMIN,125DEG CMAX	C844	2113944A26	CAP,CHIP,12PF,+5%,-5%,50V-DC,0402,C0G,-55DEG CMIN,125DEG CMAX,P	C911	2113945L49	CAP,FXD,.01UF,+5%,-5%,50V-DC,0603,X7R,-55DEG CMIN,125DEG CMAX,P	C928	2113944M23	CAP,FXD,16PF,+2%,-2%,50V-DC,0603,C0G,-55DEG CMIN,125DEG CMAX,PB
C802	2113946B06	CAP,CHIP,.22UF,+10%,-10%,10V-DC,0402,X5R,-55DEG CMIN,85DEG CMAX	C851	2113944A44	CAP,CHIP,220PF,+5%,-5%,50V-DC,0402,C0G,-55DEG CMIN,125DEG CMAX	C912	NOT PLACED	-	C929	2113945A12	CAP,CHIP,3300PF,+10%,-10%,50V-DC,0402,X7R,-55DEG CMIN,125DEG CM
C803	2113944A29	CAP,CHIP,22PF,+5%,-5%,50V-DC,0402,C0G,-55DEG CMIN,125DEG CMAX,P	C901	2113944M40	CAP,FXD,82PF,+2%,-2%,50V-DC,0603,C0G,-55DEG CMIN,125DEG CMAX,PB	C913	2113944M29	CAP,FXD,30PF,+2%,-2%,50V-DC,0603,C0G,-55DEG CMIN,125DEG CMAX,PB	C930	2113945A12	CAP,CHIP,3300PF,+10%,-10%,50V-DC,0402,X7R,-55DEG CMIN,125DEG CM
C804	2113944A40	CAP,CHIP,100PF,+5%,-5%,50V-DC,0402,C0G,-55DEG CMIN,125DEG CMAX	C902	2113944C04	CAP,CHIP,330PF,+5%,-5%,50V-DC,0603,C0G,-55DEG CMIN,125DEG CMAX	C914	2113944M18	CAP,FXD,10PF,+2.5%,-2.5%,50V-DC,0603,C0G,-55DEG CMIN,125DEG CMA	C1101	2113945B02	CAP,CHIP,.01UF,+10%,-10%,25V-DC,0402,X7R,-55DEG CMIN,125DEG CMA
C805	2113944A40	CAP,CHIP,100PF,+5%,-5%,50V-DC,0402,C0G,-55DEG CMIN,125DEG CMAX	C903	2113945L49	CAP,FXD,.01UF,+5%,-5%,50V-DC,0603,X7R,-55DEG CMIN,125DEG CMAX,P	C915	2113944C04	CAP,CHIP,330PF,+5%,-5%,50V-DC,0603,C0G,-55DEG CMIN,125DEG CMAX	C1102	2188468Y01	CAP,CHIP,1UF,+10,-10,25V-DC,0805,X7R
C806	2113946B06	CAP,CHIP,.22UF,+10%,-10%,10V-DC,0402,X5R,-55DEG CMIN,85DEG CMAX	C903	2113945L49	CAP,FXD,.01UF,+5%,-5%,50V-DC,0603,X7R,-55DEG CMIN,125DEG CMAX,P	C916	2113944M40	CAP,FXD,82PF,+2%,-2%,50V-DC,0603,C0G,-55DEG CMIN,125DEG CMAX,PB	C1103	2113945B02	CAP,CHIP,.01UF,+10%,-10%,25V-DC,0402,X7R,-55DEG CMIN,125DEG CMA
C810	2113944A44	CAP,CHIP,220PF,+5%,-5%,50V-DC,0402,C0G,-55DEG CMIN,125DEG CMAX	C904	2113944M36	CAP,FXD,56PF,+2%,-2%,50V-DC,0603,C0G,-55DEG CMIN,125DEG CMAX,PB	C917	NOT PLACED	-	C1104	NOT PLACED	-
C813	2113944A63	CAP,FXD,1PF,.25PF+/-,50V-DC,0402,C0G,-55DEG CMIN,125DEG CMAX,P	C905	2113945L49	CAP,FXD,.01UF,+5%,-5%,50V-DC,0603,X7R,-55DEG CMIN,125DEG CMAX,P	C918	2113944C04	CAP,CHIP,330PF,+5%,-5%,50V-DC,0603,C0G,-55DEG CMIN,125DEG CMAX	C1105	2113944A19	CAP,CHIP,5.6PF,.5PF+/-,50V-DC,0402,C0G,-55DEG CMIN,125DEG CMAX
C814	2113945A09	CAP,CHIP,1000PF,+10%,-10%,50V-DC,0402,X7R,-55DEG CMIN,125DEG CM	C905	2113945L49	CAP,FXD,.01UF,+5%,-5%,50V-DC,0603,X7R,-55DEG CMIN,125DEG CMAX,P	C919	2113944M22	CAP,FXD,15PF,+2%,-2%,50V-DC,0603,C0G,-55DEG CMIN,125DEG CMAX,PB	C1106	2113945B02	CAP,CHIP,.01UF,+10%,-10%,25V-DC,0402,X7R,-55DEG CMIN,125DEG CMA
C816	2113944A31	CAP,CHIP,33PF,+5%,-5%,50V-DC,0402,C0G,-55DEG CMIN,125DEG CMAX,P	C906	2113944C04	CAP,CHIP,330PF,+5%,-5%,50V-DC,0603,C0G,-55DEG CMIN,125DEG CMAX	C920	21009257002	CAP,CER,39PF,+5%,-5%,50V-DC,0805,-55DEG CMIN,125DEG CMAX,0805	C1107	2113944A40	CAP,CHIP,100PF,+5%,-5%,50V-DC,0402,C0G,-55DEG CMIN,125DEG CMAX
C820	2113944A44	CAP,CHIP,220PF,+5%,-5%,50V-DC,0402,C0G,-55DEG CMIN,125DEG CMAX	C907	2113944C04	CAP,CHIP,330PF,+5%,-5%,50V-DC,0603,C0G,-55DEG CMIN,125DEG CMAX	C921	21009257002	CAP,CER,39PF,+5%,-5%,50V-DC,0805,-55DEG CMIN,125DEG CMAX,0805	C1108	2113946B03	CAP,CHIP,.068UF,+10%,-10%,10V-DC,0402,X5R,-55DEG CMIN,85DEG CMA
						C922	2113944M29	CAP,FXD,30PF,+2%,-2%,50V-DC,0603,C0G,-55DEG CMIN,125DEG CMAX,PB	C1109	2113944A40	CAP,CHIP,100PF,+5%,-5%,50V-DC,0402,C0G,-55DEG CMIN,125DEG CMAX

Ref. Des.	Part Number	Description	Ref. Des.	Part Number	Description	Ref. Des.	Part Number	Description	Ref. Des.	Part Number	Description
C1110	2113944A40	CAP,CHIP,100PF,+5%,-5%,50V-DC,0402,C0G,-55DEG CMIN,125DEG CMAX	C1128	2113945B02	CAP,CHIP,.01UF,+10%,-10%,25V-DC,0402,X7R,-55DEG CMIN,125DEG CMA	C1207	2113944M27	CAP,FXD,24PF,+2%,-2%,50V-DC,0603,C0G,-55DEG CMIN,125DEG CMAX,PB	C1310	2113944A17	CAP,CHIP,4.7PF,.25PF+/-,50V-DC,0402,C0G,-55DEG CMIN,125DEG CMA
C1111	2113945Y02	CAP,FXD,.1UF,+10%,-10%,16V-DC,0402,X7R,-55DEG CMIN,125DEG CMAX	C1129	2113945B02	CAP,CHIP,.01UF,+10%,-10%,25V-DC,0402,X7R,-55DEG CMIN,125DEG CMA	C1220	2113944M16	CAP,FXD,8.2PF,.1PF+/-,50V-DC,0603,C0G,-55DEG CMIN,125DEG CMAX	C1601	2113944M42	CAP,FXD,100PF,+2%,-2%,50V-DC,0603,C0G,-55DEG CMIN,125DEG CMAX,P
C1112	2113945B01	CAP,CHIP,6800PF,+10%,-10%,25V-DC,0402,X7R,-55DEG CMIN,125DEG CM	C1130	2113945B02	CAP,CHIP,.01UF,+10%,-10%,25V-DC,0402,X7R,-55DEG CMIN,125DEG CMA	C1221	2113944M27	CAP,FXD,24PF,+2%,-2%,50V-DC,0603,C0G,-55DEG CMIN,125DEG CMAX,PB	C1602	2113944M42	CAP,FXD,100PF,+2%,-2%,50V-DC,0603,C0G,-55DEG CMIN,125DEG CMAX,P
C1113	2113945B02	CAP,CHIP,.01UF,+10%,-10%,25V-DC,0402,X7R,-55DEG CMIN,125DEG CMA	C1132	NOT PLACED	-	C1222	2113944C04	CAP,CHIP,330PF,+5%,-5%,50V-DC,0603,C0G,-55DEG CMIN,125DEG CMAX	C1603	2113945L49	CAP,FXD,.01UF,+5%,-5%,50V-DC,0603,X7R,-55DEG CMIN,125DEG CMAX,P
C1116	2113945Y02	CAP,FXD,.1UF,+10%,-10%,16V-DC,0402,X7R,-55DEG CMIN,125DEG CMAX	C1134	2113945A13	CAP,CHIP,4700PF,+10%,-10%,50V-DC,0402,X7R,-55DEG CMIN,125DEG CM	C1226	2113944M11	CAP,FXD,5.1PF,.1PF+/-,50V-DC,0603,C0G,-55DEG CMIN,125DEG CMAX	C1604	2113944M42	CAP,FXD,100PF,+2%,-2%,50V-DC,0603,C0G,-55DEG CMIN,125DEG CMAX,P
C1117	2113945A12	CAP,CHIP,3300PF,+10%,-10%,50V-DC,0402,X7R,-55DEG CMIN,125DEG CM	C1135	NOT PLACED	-	C1227	2113944M17	CAP,FXD,9.1PF,.1PF+/-,50V-DC,0603,C0G,-55DEG CMIN,125DEG CMAX	C1605	2113945B02	CAP,CHIP,.01UF,+10%,-10%,25V-DC,0402,X7R,-55DEG CMIN,125DEG CMA
C1118	2113945B02	CAP,CHIP,.01UF,+10%,-10%,25V-DC,0402,X7R,-55DEG CMIN,125DEG CMA	C1137	2113945B04	CAP,FXD,.022UF,+10%,-10%,25V-DC,0402,X7R,-55DEG CMIN,125DEG CMA	C1301	2113944M20	CAP,FXD,12PF,+2%,-2%,50V-DC,0603,C0G,-55DEG CMIN,125DEG CMAX,PB	C1606	2113944A40	CAP,CHIP,100PF,+5%,-5%,50V-DC,0402,C0G,-55DEG CMIN,125DEG CMAX
C1119	2113945B02	CAP,CHIP,.01UF,+10%,-10%,25V-DC,0402,X7R,-55DEG CMIN,125DEG CMA	C1138	2113945B04	CAP,FXD,.022UF,+10%,-10%,25V-DC,0402,X7R,-55DEG CMIN,125DEG CMA	C1302	2114036F74	CAP,FXD,1.8PF,.05PF+/-,25V-DC,0402,C0G,-55DEG CMIN,125DEG CMAX	C1607	2113944M25	CAP,FXD,20PF,+2%,-2%,50V-DC,0603,C0G,-55DEG CMIN,125DEG CMAX,PB
C1120	2113945B02	CAP,CHIP,.01UF,+10%,-10%,25V-DC,0402,X7R,-55DEG CMIN,125DEG CMA	C1139	2113944A25	CAP,CHIP,10PF,+5%,-5%,50V-DC,0402,C0G,-55DEG CMIN,125DEG CMAX,P	C1303	2113944A26	CAP,CHIP,12PF,+5%,-5%,50V-DC,0402,C0G,-55DEG CMIN,125DEG CMAX,P	C1608	2113944M42	CAP,FXD,100PF,+2%,-2%,50V-DC,0603,C0G,-55DEG CMIN,125DEG CMAX,P
C1122	2175390H01	CAP,CER,2.2PF,50V-DC,C0G,CAP,2.2PF,0402,CERAMIC,50V	C1140	2113945A13	CAP,CHIP,4700PF,+10%,-10%,50V-DC,0402,X7R,-55DEG CMIN,125DEG CM	C1304	2113945A09	CAP,CHIP,1000PF,+10%,-10%,50V-DC,0402,X7R,-55DEG CMIN,125DEG CM	C1609	2113944A40	CAP,CHIP,100PF,+5%,-5%,50V-DC,0402,C0G,-55DEG CMIN,125DEG CMAX
C1123	2113945B02	CAP,CHIP,.01UF,+10%,-10%,25V-DC,0402,X7R,-55DEG CMIN,125DEG CMA	C1141	2113945Y02	CAP,FXD,.1UF,+10%,-10%,16V-DC,0402,X7R,-55DEG CMIN,125DEG CMAX	C1305	2113944A30	CAP,CHIP,27PF,+5%,-5%,50V-DC,0402,C0G,-55DEG CMIN,125DEG CMAX,P	C1610	2113944M02	CAP,FXD,2.2PF,.1PF+/-,50V-DC,0603,C0G,-55DEG CMIN,125DEG CMAX
C1124	2113945A13	CAP,CHIP,4700PF,+10%,-10%,50V-DC,0402,X7R,-55DEG CMIN,125DEG CM	C1142	2113945A09	CAP,CHIP,1000PF,+10%,-10%,50V-DC,0402,X7R,-55DEG CMIN,125DEG CM	C1306	2113945B02	CAP,CHIP,.01UF,+10%,-10%,25V-DC,0402,X7R,-55DEG CMIN,125DEG CMA	C1611	2113945L49	CAP,FXD,.01UF,+5%,-5%,50V-DC,0603,X7R,-55DEG CMIN,125DEG CMAX,P
C1125	NOT PLACED	-	C1149	2113944A40	CAP,CHIP,100PF,+5%,-5%,50V-DC,0402,C0G,-55DEG CMIN,125DEG CMAX	C1307	2113944A26	CAP,CHIP,12PF,+5%,-5%,50V-DC,0402,C0G,-55DEG CMIN,125DEG CMAX,P	C1611	2113945L49	CAP,FXD,.01UF,+5%,-5%,50V-DC,0603,X7R,-55DEG CMIN,125DEG CMAX,P
C1126	2113945A09	CAP,CHIP,1000PF,+10%,-10%,50V-DC,0402,X7R,-55DEG CMIN,125DEG CM	C1150	2175392H01	CAP,CER,1.2PF,50V-DC,C0G,CAP,1.2PF,0402,CERAMIC,50V	C1308	2113944A28	CAP,CHIP,18PF,+5%,-5%,50V-DC,0402,C0G,-55DEG CMIN,125DEG CMAX,P	C1612	NOT PLACED	-
C1127	2113945Y02	CAP,FXD,.1UF,+10%,-10%,16V-DC,0402,X7R,-55DEG CMIN,125DEG CMAX	C1203	2113944M19	CAP,FXD,11PF,+2%,-2%,50V-DC,0603,C0G,-55DEG CMIN,125DEG CMAX,PB	C1309	2175389H01	CAP,.5PF,CAP,.5PF,CHIP,0402,CERAMIC,50V	C1613	2113944M42	CAP,FXD,100PF,+2%,-2%,50V-DC,0603,C0G,-55DEG CMIN,125DEG CMAX,P
			C1204	2113944M13	CAP,FXD,6.2PF,.1PF+/-,50V-DC,0603,C0G,-55DEG CMIN,125DEG CMAX						

Ref. Des.	Part Number	Description	Ref. Des.	Part Number	Description	Ref. Des.	Part Number	Description	Ref. Des.	Part Number	Description
C1615	2113944A40	CAP,CHIP,100PF,+5%,-5%,50V-DC,0402,C0G,-55DEG CMIN,125DEG CMAX	C1807	2113944M14	CAP,FXD,6.8PF,.1PF+/-,50V-DC,0603,C0G,-55DEG CMIN,125DEG CMAX	C2033	2115153H53	CAP,FXD,68PF,50V-DC,0402,C0G	C2060	2115153H11	CAP,FXD,2.2PF,.1PF+/-,50V-DC,0402,C0G
C1616	2113944M33	CAP,FXD,43PF,+2%,-2%,50V-DC,0603,C0G,-55DEG CMIN,125DEG CMAX,PB	C1820	2113944M08	CAP,FXD,3.9PF,.1PF+/-,50V-DC,0603,C0G,-55DEG CMIN,125DEG CMAX	C2035	2115153H15	CAP,FXD,3.3PF,.1PF+/-,50V-DC,0402,C0G	C2061	2115153H16	CAP,FXD,3.6PF,.1PF+/-,+1%,-.1%,50V-DC,0402,C0G
C1617	NOT PLACED	-	C1821	2113944M17	CAP,FXD,9.1PF,.1PF+/-,50V-DC,0603,C0G,-55DEG CMIN,125DEG CMAX	C2036	2115153H07	CAP,FXD,1.5PF,.1PF+/-,50V-DC,0402,C0G	C2063	2115153H41	CAP,FXD,22PF,+1%,-1%,50V-DC,0402,C0G
C1618	2113944M42	CAP,FXD,100PF,+2%,-2%,50V-DC,0603,C0G,-55DEG CMIN,125DEG CMAX,P	C1822	2113944M42	CAP,FXD,100PF,+2%,-2%,50V-DC,0603,C0G,-55DEG CMIN,125DEG CMAX,P	C2037	2115153H12	CAP,FXD,2.4PF,.1PF+/-,+4.2%,-4.2%,50V-DC,0402,C0G	C2064	2115153H24	CAP,FXD,7.5PF,.1PF+/-,50V-DC,0402,C0G
C1619	2113944M22	CAP,FXD,15PF,+2%,-2%,50V-DC,0603,C0G,-55DEG CMIN,125DEG CMAX,PB	C1826	2113944M04	CAP,FXD,2.7PF,.1PF+/-,50V-DC,0603,C0G,-55DEG CMIN,125DEG CMAX	C2038	2115153H09	CAP,FXD,1.8PF,.1PF+/-,50V-DC,0402,C0G	C2064	2115153H24	CAP,FXD,7.5PF,.1PF+/-,50V-DC,0402,C0G
C1620	2171741M01	CAP,FXD,47PF,+5%,-5%,50V-DC,COG,HI Q CAP	C1827	2113944M10	CAP,FXD,4.7PF,.1PF+/-,50V-DC,0603,C0G,-55DEG CMIN,125DEG CMAX	C2039	2115153H15	CAP,FXD,3.3PF,.1PF+/-,50V-DC,0402,C0G	D200	4813978A19	DIODE,RECT,MBR120,SM,SOD-123,1A,20V,SHTK,PB-FREE
C1621	2171741M08	CAP,CER CHIP,22PF,+5%,-5%,50V-DC,C0G,-55DEG CMIN,125DEG CMAX,H	C2020	2113946D07	CAP,CHIP,4.7UF,+10%,-10%,6.3V-DC,0603,X5R,-55DEG CMIN,85DEG CMA	C2041	2113946B04	CAP,CHIP,.1UF,+10%,-10%,10V-DC,0402,X5R,-55DEG CMIN,85DEG CMAX	D722	4815011H01	DIODE,SWG,SM,300MA,80V,TRP
C1622	2113944M23	CAP,FXD,16PF,+2%,-2%,50V-DC,0603,C0G,-55DEG CMIN,125DEG CMAX,PB	C2022	2113944A40	CAP,CHIP,100PF,+5%,-5%,50V-DC,0402,C0G,-55DEG CMIN,125DEG CMAX	C2042	2115153H14	CAP,FXD,3PF,.1PF+/-,50V-DC,0402,C0G	D723	4815011H01	DIODE,SWG,SM,300MA,80V,TRP
C1623	2113944C12	CAP,CHIP,1.8PF,.25PF+/-,50V-DC,0603,C0G,-55DEG CMIN,125DEG CMA	C2023	2113944A40	CAP,CHIP,100PF,+5%,-5%,50V-DC,0402,C0G,-55DEG CMIN,125DEG CMAX	C2044	2115153H26	CAP,CER CHIP,9.1PF,.1PF+/-,+1%,-1%,50V-DC,0402,C0G	E200	2405688Z01	IDCTR,BEAD,FERR BEAD
C1624	2113944M22	CAP,FXD,15PF,+2%,-2%,50V-DC,0603,C0G,-55DEG CMIN,125DEG CMAX,PB	C2024	2113946D07	CAP,CHIP,4.7UF,+10%,-10%,6.3V-DC,0603,X5R,-55DEG CMIN,85DEG CMA	C2052	2115153H41	CAP,FXD,22PF,+1%,-1%,50V-DC,0402,C0G	E201	2405688Z01	IDCTR,BEAD,FERR BEAD
C1625	2113944M42	CAP,FXD,100PF,+2%,-2%,50V-DC,0603,C0G,-55DEG CMIN,125DEG CMAX,P	C2024	2113946D07	CAP,CHIP,4.7UF,+10%,-10%,6.3V-DC,0603,X5R,-55DEG CMIN,85DEG CMA	C2053	2115153H24	CAP,FXD,7.5PF,.1PF+/-,50V-DC,0402,C0G	E301	2480640Z01	FLTR,FERR,SM,SUR MT FERR BEAD
C1628	2113944M10	CAP,FXD,4.7PF,.1PF+/-,50V-DC,0603,C0G,-55DEG CMIN,125DEG CMAX	C2025	2113944A40	CAP,CHIP,100PF,+5%,-5%,50V-DC,0402,C0G,-55DEG CMIN,125DEG CMAX	C2053	2115153H24	CAP,FXD,7.5PF,.1PF+/-,50V-DC,0402,C0G	E501	2480640Z01	FLTR,FERR,SM,SUR MT FERR BEAD
C1629	2113945A12	CAP,CHIP,3300PF,+10%,-10%,50V-DC,0402,X7R,-55DEG CMIN,125DEG CM	C2026	2113946B04	CAP,CHIP,.1UF,+10%,-10%,10V-DC,0402,X5R,-55DEG CMIN,85DEG CMAX	C2054	2113944A40	CAP,CHIP,100PF,+5%,-5%,50V-DC,0402,C0G,-55DEG CMIN,125DEG CMAX	E601	2480640Z01	FLTR,FERR,SM,SUR MT FERR BEAD
C1630	2113945A12	CAP,CHIP,3300PF,+10%,-10%,50V-DC,0402,X7R,-55DEG CMIN,125DEG CM	C2028	2115153H24	CAP,FXD,7.5PF,.1PF+/-,50V-DC,0402,C0G	C2055	2113946B04	CAP,CHIP,.1UF,+10%,-10%,10V-DC,0402,X5R,-55DEG CMIN,85DEG CMAX	E602	2480640Z01	FLTR,FERR,SM,SUR MT FERR BEAD
C1803	2113944M08	CAP,FXD,3.9PF,.1PF+/-,50V-DC,0603,C0G,-55DEG CMIN,125DEG CMAX	C2029	2115153H41	CAP,FXD,22PF,+1%,-1%,50V-DC,0402,C0G	C2056	2115153H24	CAP,FXD,7.5PF,.1PF+/-,50V-DC,0402,C0G	E603	2480640Z01	FLTR,FERR,SM,SUR MT FERR BEAD
C1804	2113944M08	CAP,FXD,3.9PF,.1PF+/-,50V-DC,0603,C0G,-55DEG CMIN,125DEG CMAX	C2032	2115153H57	CAP,FXD,100PF,+1%,-1%,50V-DC,0402,C0G	C2056	2115153H24	CAP,FXD,7.5PF,.1PF+/-,50V-DC,0402,C0G	E604	2480640Z01	FLTR,FERR,SM,SUR MT FERR BEAD
						C2057	2115153H41	CAP,FXD,22PF,+1%,-1%,50V-DC,0402,C0G	E605	2480640Z01	FLTR,FERR,SM,SUR MT FERR BEAD
						C2058	2115153H13	CAP,FXD,2.7PF,.1PF+/-,50V-DC,0402,C0G	E606	2480640Z01	FLTR,FERR,SM,SUR MT FERR BEAD
						C2059	2115153H16	CAP,FXD,3.6PF,.1PF+/-,+1%,-.1%,50V-DC,0402,C0G	E607	2480640Z01	FLTR,FERR,SM,SUR MT FERR BEAD
									E608	2480640Z01	FLTR,FERR,SM,SUR MT FERR BEAD
									E609	2480640Z01	FLTR,FERR,SM,SUR MT FERR BEAD
									E1101	2405688Z01	IDCTR,BEAD,FERR BEAD

Ref. Des.	Part Number	Description	Ref. Des.	Part Number	Description	Ref. Des.	Part Number	Description	Ref. Des.	Part Number	Description
E2021	2480640Z01	FLTR,FERR,SM,SUR MT FERR BEAD	L310	2415429H28	IDCTR,WW,39NH,5%,600MA, CER,SM,CHIP	L720	2480646Z20	IDCTR,FXD,2.2UH,10%,15MA, SM,MULTI-LAYER CHIP	L906	2460591E24	IDCTR,AW,23.75NH,COIL 23.75
ea	5185633C90	OT	L501	2415429H23	IDCTR,WW,24NH,5%,700MA, .135OHM,CER,SM,0603,CHIP	L727	2480646Z20	IDCTR,FXD,2.2UH,10%,15MA, SM,MULTI-LAYER CHIP	L907	2471968L13	IDCTR,AW,5.5NH,2%,4A,SM, LOW PROFILE MINI SPR IDCTR
ea	5185633C92	OT	L502	2415429H30	IDCTR,WW,47NH,5%,600MA, CER,SM,CHIP	L728	2415429H47	IDCTR,WW,390NH,5%,100MA, CER,SM,CHIP	L908	2415428H01	IDCTR,AW,1.65NH,10%,1.6A, AIR,2 TURNS,SM,AIR WOUND IDCTR
F200	6575834B01	FUSE,FST BLW,2A,32V,FUSE SUR MT	L503	2414032F38	IDCTR,WW,220NH,5%,400MA, .7OHM,CER,30 Q,630MHZ SRF,SM,PB-FRE	L733	2480646Z20	IDCTR,FXD,2.2UH,10%,15MA, SM,MULTI-LAYER CHIP	L909	2471968L11	IDCTR,AW,13NH,2%,4A, .0039OHM,AIR,5 TURNS,100 Q, 3GHZ SRF,SM,1
FL501	91009300001	FLTR,BANDPASS,109.65MHZ NOM,FILTER,MONOLITHIC CRYSTAL,BAND	L504	2414032F41	IDCTR,WW,390NH,10%,200MA, 1.5OHM,CER,40 Q,730MHZ SRF,SM,PB-F	L735	2480646Z20	IDCTR,FXD,2.2UH,10%,15MA, SM,MULTI-LAYER CHIP	L910	2415385H03	IDCTR,AW,18.5NH,2%,4A,AIR, SM
FL1301	9189697V15	FLTR,1.57542GHZ NOM, 1.57642GHZ MIN,1.57442GHZ MAX,50OHM,SM,PB	L505	2415429H39	IDCTR,WW,150NH,5%,280MA, .92OHM,CER,SM,0603,CHIP	L738	2480646Z20	IDCTR,FXD,2.2UH,10%,15MA, SM,MULTI-LAYER CHIP	L1101	2415429H30	IDCTR,WW,47NH,5%,600MA, CER,SM,CHIP
J101	0909901V02	CONN,RCPT,SMT MCX	L506	2415429H39	IDCTR,WW,150NH,5%,280MA, .92OHM,CER,SM,0603,CHIP	L741	2480646Z20	IDCTR,FXD,2.2UH,10%,15MA, SM,MULTI-LAYER CHIP	L1102	2415429H10	IDCTR,WW,6.8NH,5%,700MA, .11OHM,CER,SM,0603,CHIP
J102	0975886B01	RF CONN,F,RECEPTACLE, COAX CBL	L507	2415427H36	IDCTR,WW,33NH,5%,400MA, CER,SM,0402,CHIP	L753	2415347H06	IDCTR,WW,2.2UH,5%,320MA, 1.2OHM,CER,SM,IDCTR, 2200NH	L1103	2475393H01	IDCTR,COIL,4.7NH,2%,750MA, .07OHM,SM,INDUCTOR, 4.7NH, 040
L200	2571269C01	IDCTR,COIL,1.5UH,20%,2.9A, .059OHM,FERR,SM,WW PWR W18 COMP	L508	24012011014	IDCTR,WW,6.8NH,2%,1.5A, .055OHM,CER,5.8GHZ SRF,SM, 0402 HI Q	L802	2415429H26	IDCTR,WW,33NH,5%,600MA, .22OHM,CER,SM,0603,CHIP	L1104	0613952R66	RES,MF,0OHM,5%,.0625W,SM, 0402,PB-FREE
L301	2414032F35	IDCTR,WW,120NH,5%,400MA, .51OHM,CER,35 Q,860MHZ SRF, SM,PB-FR	L509	24012011020	IDCTR,WW,1NH,2%,1.3A, .085OHM,CER,4.7GHZ SRF,SM, 0402 HI Q C	L806	2415429H47	IDCTR,WW,390NH,5%,100MA, CER,SM,CHIP	L1108	2409348J04	IDCTR,5%,SM,AIR CORE 2214
L302	2460591H08	IDCTR,AW,36.6NH,AIR,10 TURNS,28 AWG,SM,HI Q, SUR MT COIL	L511	2478057A13	IDCTR,WW,7.5NH,2%,.08OHM, CER,41 Q,5.3GHZ SRF,PCMT, 7.5 NH S	L817	2414032F41	IDCTR,WW,390NH,10%,200MA, 1.5OHM,CER,40 Q,730MHZ SRF, SM,PB-F	L1114	2475394H01	IDCTR,COIL,11NH,2%,.14OHM, SM,INDUCTOR, 11NH, 0402, +/-2
L303	2460591H08	IDCTR,AW,36.6NH,AIR,10 TURNS,28 AWG,SM,HI Q, SUR MT COIL	L601	2415429H43	IDCTR,WW,220NH,5%,300MA, 2.1OHM,CER,0 AWG,SM,0603, CHIP	L821	2415429H47	IDCTR,WW,390NH,5%,100MA, CER,SM,CHIP	L1203	2460591D81	IDCTR,AW,43NH,HI Q REELED SUR MT AIR WOUND
L304	2414017N22	IDCTR,CHIP,68NH,5%,400MA, 1.2OHM,CER,14 Q,800MHZ SRF, SM,0603	L602	2466505A01	CHIP INDUCTOR,CHIP,10UH, 5%, 150MA, FERR,0 AWG,SM, PB-FREE	L846	2414032F41	IDCTR,WW,390NH,10%,200MA, 1.5OHM,CER,40 Q,730MHZ SRF, SM,PB-F	L1209	2460591D81	IDCTR,AW,43NH,HI Q REELED SUR MT AIR WOUND
L305	2415429H34	IDCTR,WW,72NH,5%,400MA, .49OHM,CER,SM,0603,CHIP	L603	2466505A01	CHIP INDUCTOR,CHIP,10UH, 5%,150MA, FERR,0 AWG,SM,PB-FREE	L901	2414017N10	IDCTR,CHIP,6.8NH,5%,600MA, .22OHM,CER,10 Q,2.7GHZ SRF, SM,0603	L1211	2460591D81	IDCTR,AW,43NH,HI Q REELED SUR MT AIR WOUND
L306	2414017P13	IDCTR,CHIP,10NH,5%,300MA, .46OHM,CER,9 Q,2.5GHZ SRF, SM,0402,P	L604	2414032D16	IDCTR,WW,120NH,5%,800MA, .26OHM,CER,42 Q,1GHZ SRF, SM,PB-FREE	L902	2415429H37	IDCTR,WW,110NH,5%,300MA, .61OHM,CER,SM,0603,CHIP	L1301	2488090Y07	IDCTR,CHIP,3.3NH,5%,300MA, CER,SM,0402,MULAY PB FREE
L307	2414032F35	IDCTR,WW,120NH,5%,400MA, .51OHM,CER,35 Q,860MHZ SRF, SM,PB-FR	L605	2414017Q54	IDCTR,FXD,3.9UH,10%,30MA, .9OHM,FERR,45 Q,38MHZ SRF,SM,0805,P	L903	2414015A07	IDCTR,FXD,180NH,2%,750MA, .77OHM,CER,25 Q,700MHZ SRF,SM,1008	L1302	2488090Y25	IDCTR,CHIP,100NH,5%,90MA, CER,SM,0402,MULAY PB FREE
L308	2414032F35	IDCTR,WW,120NH,5%,400MA, .51OHM,CER,35 Q,860MHZ SRF, SM,PB-FR	L701	2415429H47	IDCTR,WW,390NH,5%,100MA, CER,SM,CHIP	L904	2414017N18	IDCTR,CHIP,33NH,5%,600MA, .71OHM,CER,12 Q,1.1GHZ SRF, SM,0603	L1303	2414017P25	IDCTR,CHIP,100NH,5%,100MA, 5.5OHM,CER,8 Q,650MHZ SRF,SM,0402
L309	2415429H28	IDCTR,WW,39NH,5%,600MA, CER,SM,CHIP				L905	2414017N16	IDCTR,CHIP,22NH,5%,600MA, .54OHM,CER,12 Q,1.3GHZ SRF, SM,0603	L1305	2475391H01	IDCTR,WW,18UH,2%,.27OHM, INDUCTOR, 18 NH, CHIP, 0402, 2
									L1306	2488090Y10	IDCTR,CHIP,5.6NH,5%,300MA, CER,SM,0402,MULAY PB FREE

Ref. Des.	Part Number	Description	Ref. Des.	Part Number	Description	Ref. Des.	Part Number	Description	Ref. Des.	Part Number	Description
L1601	2414017H14	IDCTR,CHIP,15NH,5%,3A, .32OHM,CER,12 Q,1.5GHZ SRF, SM,0603,PB-	L2013	2478057A23	IDCTR,WW,18NH,2%,.066OHM, CER,41 Q,3.3GHZ SRF,PCMT,18 NH SU	Q201	4813970A59	XSTR,FET GP PWR,P-CH, ENHN,SM,SOT-23,20V,.4W,PB- FREE	Q713	4805585Q32	XSTR,BIP RF SML SGNL,NPN, NE662M04,SM,SOT-343,3.3V, TRANSITO
L1602	2415429H37	IDCTR,WW,110NH,5%,300MA, .61OHM,CER,SM,0603,CHIP	L2014	2478057A23	IDCTR,WW,18NH,2%,.066OHM, CER,41 Q,3.3GHZ SRF,PCMT,18 NH SU	Q202	4813973A32	XSTR,BIP GP SS,NPN,SM, SC-70,SMT,50V,.202W,100MA, PB-FREE	Q714	4889394V04	XSTR,FET GP SS,MOSFET,N- CH,ENHN,SM,20V,.25W,PB- FREE TWO FETS
L1603	2414015A07	IDCTR,FXD,180NH,2%,750MA, .77OHM,CER,25 Q,700MHZ SRF, SM,1008	L2015	2478057A41	IDCTR,WW,91NH,2%,440MA, .58OHM,CER,1.65GHZ SRF, SM,0306 HI Q	Q202	4813973A32	XSTR,BIP GP SS,NPN,SM, SC-70,SMT,50V,.202W,100MA, PB-FREE	Q774	4885061Y01	XSTR,BIP RF SML SGNL,NPN, SM,12GHZ
L1604	2113944M10	CAP,FXD,4.7PF,.1PF+/-,.50V-DC .0603,C0G,-55DEG CMIN, 125DEG CMAX	L2016	2414017P15	IDCTR,CHIP,15NH,5%,300MA, .65OHM,CER,9 Q,1.95GHZ SRF, SM,0402	Q301	4813973A32	XSTR,BIP GP SS,NPN,SM,SC- 70,SMT,50V,.202W,100MA,PB- FREE	Q842	4805585Q32	XSTR,BIP RF SML SGNL,NPN, NE662M04,SM,SOT-343,3.3V, TRANSITO
L1605	2414017H07	IDCTR,CHIP,3.9NH,300MA, .14OHM,CER,10 Q,3.4GHZ SRF, SM,0603,P	L2017	2478057A40	IDCTR,WW,82NH,2%,510MA, .46OHM,CER,1.8GHZ SRF,SM, 0306 HI Q	Q301	4813973A32	XSTR,BIP GP SS,NPN,SM,SC- 70,SMT,50V,.202W,100MA,PB- FREE	Q1101	4813973A32	XSTR,BIP GP SS,NPN,SM,SC- 70,SMT,50V,.202W,100MA,PB- FREE
L1606	2460591E24	IDCTR,AW,23.75NH,COIL 23.75	L2019	2414017P15	IDCTR,CHIP,15NH,5%,300MA, .65OHM,CER,9 Q,1.95GHZ SRF, SM,0402	Q302	4813973M75	XSTR,BIP GP SS,PNP,BC858, SOT-563,SMT,-30V,.357W, -100MA,100MHZ	Q1102	4813973A32	XSTR,BIP GP SS,NPN,SM,SC- 70,SMT,50V,.202W,100MA,PB- FREE
L1609	2415428H02	IDCTR,AW,2.55NH,5%,1.6A,AIR,3 TURNS,SM,AIR WOUND IDCTR	L2034	2478057A29	IDCTR,WW,56NH,2%,610MA, .30OHM,CER,5GHZ SRF,SM,0306 HI Q CHI	Q302	4813973M75	XSTR,BIP GP SS,PNP,BC858, SOT-563,SMT,-30V,.357W, -100MA,100MHZ	Q1102	4813973A32	XSTR,BIP GP SS,NPN,SM,SC- 70,SMT,50V,.202W,100MA,PB- FREE
L1610	2415385H01	IDCTR,AW,8NH,2%,4A,.0026OH M,AIR,3 TURNS,RH,140 Q, 5GHZ SRF,SM,8	L2035	2478057A24	IDCTR,WW,22NH,2%,.14OHM, CER,44 Q,3.15GHZ SRF,PCMT, 22 NH SU	Q501	4813973M75	XSTR,BIP GP SS,PNP,BC858, SOT-563,SMT,-30V,.357W, -100MA,100MHZ	Q1103	4813970A59	XSTR,FET GP PWR,P-CH, ENHN,SM,SOT-23,20V,.4W,PB- FREE
L1619	2414017H16	IDCTR,CHIP,22NH,5%,300MA, .4OHM,CER,12 Q,1.25GHZ SRF, SM,0603	L2036	2415429H01	IDCTR,WW,1.6NH,5%,700MA, .03OHM,CER,SM,0603,CHIP	Q501	4813973M75	XSTR,BIP GP SS,PNP,BC858, SOT-563,SMT,-30V,.357W, -100MA,100MHZ	Q1104	4813970A59	XSTR,FET GP PWR,P-CH, ENHN,SM,SOT-23,20V,.4W,PB- FREE
L1620	2414017H04	IDCTR,CHIP,2.2NH,300MA, .1OHM,CER,8 Q,4GHZ SRF,SM, 0603,PB-FR	M1	3275623B02	GSKT,CUST,PAD, THRM ELEC	Q503	4885316E32	XSTR,BIP RF SML SGNL,SLCN, BFR380F,SM,SMT,6V,380W,80A, 14MHZ,TR	Q1105	NOT PLACED	-
L1803	2471884M01	IDCTR,AW,10.2NH,5%,AIR,SM, 10.2NH SQ SPR	M2	75009299001	PAD,THRM INTFC - CNDT,PAD, THRM	Q601	4813973A04	XSTR,BIP GP SS,NPN,TA13, SM, SOT-23,SMT,30V,.225W, 300MA, 125MHZ,P	Q2020	4813973A32	XSTR,BIP GP SS,NPN,SM,SC- 70,SMT,50V,.202W,100MA,PB- FREE
L1809	2471884M01	IDCTR,AW,10.2NH,5%,AIR,SM, 10.2NH SQ SPR	M101	2871616H01	CONN,N/A,GLD,CONNECTOR, BPLUS	Q703	4813973M75	XSTR,BIP GP SS,PNP,BC858, SOT-563,SMT,-30V,.357W, -100MA,100MHZ	Q2020	4813973A32	XSTR,BIP GP SS,NPN,SM,SC- 70,SMT,50V,.202W,100MA,PB- FREE
L1811	2471884M01	IDCTR,AW,10.2NH,5%,AIR,SM, 10.2NH SQ SPR	M103	3987977Y04	CONT,CONN,1CONT,ANT UNIV 4.5MM,UC 1.8	Q703	4813973M75	XSTR,BIP GP SS,PNP,BC858, SOT-563,SMT,-30V,.357W, -100MA,100MHZ	Q2022	4813973M75	XSTR,BIP GP SS,PNP, BC858, SOT-563,SMT,-30V,.357W, -100MA,100MHZ
L2008	2478057A09	IDCTR,WW,5.6NH,2%,1.7A, .036OHM,CER,48 Q,6.6GHZ SRF,SM,5.6 N	M104	NOT PLACED	-	Q712	4813973M75	XSTR,BIP GP SS,PNP,BC858, SOT-563,SMT,-30V,.357W, -100MA,100MHZ	R101	0613952R01	RES,MF,10KOHM,5%,.0625W, SM,0402,200PPM/CEL,PB-FREE
L2009	2478057A23	IDCTR,WW,18NH,2%,.066OHM, CER,41 Q,3.3GHZ SRF,PCMT, 18 NH SU	M105	3987977Y04	CONT,CONN,1CONT,ANT UNIV 4.5MM,UC 1.8	Q712	4813973M75	XSTR,BIP GP SS,PNP,BC858, SOT-563,SMT,-30V,.357W, -100MA,100MHZ	R103	0613952R01	RES,MF,10KOHM,5%,.0625W, SM,0402,200PPM/CEL,PB-FREE
L2010	2478057A23	IDCTR,WW,18NH,2%,.066OHM, CER,41 Q,3.3GHZ SRF,PCMT, 18 NH SU	M106	NOT PLACED	-	Q712	4813973M75	XSTR,BIP GP SS,PNP,BC858, SOT-563,SMT,-30V,.357W, -100MA,100MHZ	R201	0613952R25	RES,MF,100KOHM,5%,.0625W, SM,0402,200PPM/CEL,PB-FREE
L2012	2478057A09	IDCTR,WW,5.6NH,2%,1.7A, .036OHM,CER,48 Q,6.6GHZ SRF, SM,5.6 N	P101	2887818K05	RECTANGULAR CONNECTOR, STKNG,MIX,40CONT,VERT, SMD				R202	0613952Q89	RES,MF,4.7KOHM,5%,.0625W, SM,0402,200PPM/CEL,PB-FREE
			PASTE	1085674C03	PROD CONSUM,SLDR,T MELT = 217C						
			PCB	8478166A01	PCB,XCVR,10 LAYER,BOARD, PC, PORT VHF & UHF1						

Ref. Des.	Part Number	Description	Ref. Des.	Part Number	Description	Ref. Des.	Part Number	Description	Ref. Des.	Part Number	Description
R301	0613952R22	RES,MF,75KOHM,5%,.0625W,SM,0402,200PPM/CEL,PB-FREE	R602	0613952Q63	RES,MF,390OHM,5%,.0625W,SM,0402,200PPM/CEL,PB-FREE	R701	0613952Q49	RES,MF,100OHM,5%,.0625W,SM,0402,200PPM/CEL,PB-FREE	R751	0613952Q59	RES,MF,270OHM,5%,.0625W,SM,0402,200PPM/CEL,PB-FREE
R302	0613952R27	RES,MF,120KOHM,5%,.0625W,SM,0402,200PPM/CEL,PB-FREE	R603	0613952R25	RES,MF,100KOHM,5%,.0625W,SM,0402,200PPM/CEL,PB-FREE	R702	0613952R66	RES,MF,0OHM,5%,.0625W,SM,0402,PB-FREE	R752	NOT PLACED	-
R303	0613952R01	RES,MF,10KOHM,5%,.0625W,SM,0402,200PPM/CEL,PB-FREE	R604	0613952Q63	RES,MF,390OHM,5%,.0625W,SM,0402,200PPM/CEL,PB-FREE	R703	0613952Q42	RES,MF,51OHM,5%,.0625W,SM,0402,200PPM/CEL,PB-FREE	R753	NOT PLACED	-
R304	0613952Q37	RES,MF,33OHM,5%,.0625W,SM,0402,200PPM/CEL,PB-FREE	R605	0613952R01	RES,MF,10KOHM,5%,.0625W,SM,0402,200PPM/CEL,PB-FREE	R704	0613952Q42	RES,MF,51OHM,5%,.0625W,SM,0402,200PPM/CEL,PB-FREE	R754	0613952Q91	RES,MF,5.6KOHM,5%,.0625W,SM,0402,200PPM/CEL,PB-FREE
R305	0613952Q89	RES,MF,4.7KOHM,5%,.0625W,SM,0402,200PPM/CEL,PB-FREE	R606	0613952R01	RES,MF,10KOHM,5%,.0625W,SM,0402,200PPM/CEL,PB-FREE	R705	0613952Q25	RES,MF,10OHM,5%,.0625W,SM,0402,200PPM/CEL,PB-FREE	R755	0613952R15	RES,MF,39KOHM,5%,.0625W,SM,0402,200PPM/CEL,PB-FREE
R306	0613952Q25	RES,MF,10OHM,5%,.0625W,SM,0402,200PPM/CEL,PB-FREE	R607	0613952R25	RES,MF,100KOHM,5%,.0625W,SM,0402,200PPM/CEL,PB-FREE	R706	0613952R66	RES,MF,0OHM,5%,.0625W,SM,0402,PB-FREE	R759	0613952Q69	RES,MF,680OHM,5%,.0625W,SM,0402,200PPM/CEL,PB-FREE
R307	0613952Q13	RES,MF,3.3OHM,5%,.0625W,SM,0402,200PPM/CEL,PB-FREE	R608	0613952R01	RES,MF,10KOHM,5%,.0625W,SM,0402,200PPM/CEL,PB-FREE	R707	0613952R66	RES,MF,0OHM,5%,.0625W,SM,0402,PB-FREE	R761	0613952Q57	RES,MF,220OHM,5%,.0625W,SM,0402,200PPM/CEL,PB-FREE
R501	NOT PLACED	-	R609	0613952Q81	RES,MF,2.2KOHM,5%,.0625W,SM,0402,200PPM/CEL,PB-FREE	R708	0613952Q49	RES,MF,100OHM,5%,.0625W,SM,0402,200PPM/CEL,PB-FREE	R762	0613952R02	RES,MF,11KOHM,5%,.0625W,SM,0402,200PPM/CEL,PB-FREE
R502	0613952Q45	RES,MF,68OHM,5%,.0625W,SM,0402,200PPM/CEL,PB-FREE	R610	0613952R25	RES,MF,100KOHM,5%,.0625W,SM,0402,200PPM/CEL,PB-FREE	R709	0613952Q45	RES,MF,68OHM,5%,.0625W,SM,0402,200PPM/CEL,PB-FREE	R764	0613952Q75	RES,MF,1.2KOHM,5%,.0625W,SM,0402,200PPM/CEL,PB-FREE
R502	0613952Q45	RES,MF,68OHM,5%,.0625W,SM,0402,200PPM/CEL,PB-FREE	R611	0613952R01	RES,MF,10KOHM,5%,.0625W,SM,0402,200PPM/CEL,PB-FREE	R709	0613952Q45	RES,MF,68OHM,5%,.0625W,SM,0402,200PPM/CEL,PB-FREE	R767	0613952Q45	RES,MF,68OHM,5%,.0625W,SM,0402,200PPM/CEL,PB-FREE
R503	0613952R10	RES,MF,24KOHM,5%,.0625W,SM,0402,200PPM/CEL,PB-FREE	R612	0613952Q94	RES,MF,7.5KOHM,5%,.0625W,SM,0402,200PPM/CEL,PB-FREE	R710	0613952Q56	RES,MF,200OHM,5%,.0625W,SM,0402,200PPM/CEL,PB-FREE	R767	0613952Q45	RES,MF,68OHM,5%,.0625W,SM,0402,200PPM/CEL,PB-FREE
R504	0613952Q85	RES,MF,3.3KOHM,5%,.0625W,SM,0402,200PPM/CEL,PB-FREE	R613	0613952Q82	RES,MF,2.4KOHM,5%,.0625W,SM,0402,200PPM/CEL,PB-FREE	R711	0613952Q45	RES,MF,68OHM,5%,.0625W,SM,0402,200PPM/CEL,PB-FREE	R772	0613952Q37	RES,MF,33OHM,5%,.0625W,SM,0402,200PPM/CEL,PB-FREE
R505	0613952R31	RES,MF,180KOHM,5%,.0625W,SM,0402,200PPM/CEL,PB-FREE	R614	0613952R66	RES,MF,0OHM,5%,.0625W,SM,0402,PB-FREE	R711	0613952Q45	RES,MF,68OHM,5%,.0625W,SM,0402,200PPM/CEL,PB-FREE	R773	0613952Q91	RES,MF,5.6KOHM,5%,.0625W,SM,0402,200PPM/CEL,PB-FREE
R506	0613952Q53	RES,MF,150OHM,5%,.0625W,SM,0402,200PPM/CEL,PB-FREE	R615	NOT PLACED	-	R712	0613952Q67	RES,MF,560OHM,5%,.0625W,SM,0402,200PPM/CEL,PB-FREE	R776	0613952Q39	RES,MF,39OHM,5%,.0625W,SM,0402,200PPM/CEL,PB-FREE
R507	0613952Q83	RES,MF,2.7KOHM,5%,.0625W,SM,0402,200PPM/CEL,PB-FREE	R616	NOT PLACED	-	R713	0613952Q25	RES,MF,10OHM,5%,.0625W,SM,0402,200PPM/CEL,PB-FREE	R778	0613952Q55	RES,MF,180OHM,5%,.0625W,SM,0402,200PPM/CEL,PB-FREE
R508	0613952Q41	RES,MF,47OHM,5%,.0625W,SM,0402,200PPM/CEL,PB-FREE	R617	NOT PLACED	-	R714	0613952Q67	RES,MF,560OHM,5%,.0625W,SM,0402,200PPM/CEL,PB-FREE	R807	0613952R09	RES,MF,22KOHM,5%,.0625W,SM,0402,200PPM/CEL,PB-FREE
R509	0613952Q25	RES,MF,10OHM,5%,.0625W,SM,0402,200PPM/CEL,PB-FREE	R618	NOT PLACED	-	R721	0613952R01	RES,MF,10KOHM,5%,.0625W,SM,0402,200PPM/CEL,PB-FREE	R808	0613952R23	RES,MF,82KOHM,5%,.0625W,SM,0402,200PPM/CEL,PB-FREE
R511	0613952Q13	RES,MF,3.3OHM,5%,.0625W,SM,0402,200PPM/CEL,PB-FREE	R619	NOT PLACED	-	R729	0613952R09	RES,MF,22KOHM,5%,.0625W,SM,0402,200PPM/CEL,PB-FREE	R809	0613952Q91	RES,MF,5.6KOHM,5%,.0625W,SM,0402,200PPM/CEL,PB-FREE
R512	NOT PLACED	-	R620	NOT PLACED	-	R743	0613952R17	RES,MF,47KOHM,5%,.0625W,SM,0402,200PPM/CEL,PB-FREE	R811	0613952Q39	RES,MF,39OHM,5%,.0625W,SM,0402,200PPM/CEL,PB-FREE
R597	0613952R66	RES,MF,0OHM,5%,.0625W,SM,0402,PB-FREE	R621	NOT PLACED	-	R745	0613952R09	RES,MF,22KOHM,5%,.0625W,SM,0402,200PPM/CEL,PB-FREE	R812	0613952Q47	RES,MF,82OHM,5%,.0625W,SM,0402,200PPM/CEL,PB-FREE
R601	0613952Q41	RES,MF,47OHM,5%,.0625W,SM,0402,200PPM/CEL,PB-FREE	R623	NOT PLACED	-				R813	0613952Q69	RES,MF,680OHM,5%,.0625W,SM,0402,200PPM/CEL,PB-FREE
			R624	NOT PLACED	-						
			R698	0613952R66	RES,MF,0OHM,5%,.0625W,SM,0402,PB-FREE						
			R699	0613952Q15	CER CHIP RES 3.9 OHM 5 0402						

Ref. Des.	Part Number	Description	Ref. Des.	Part Number	Description	Ref. Des.	Part Number	Description	Ref. Des.	Part Number	Description
R815	0613952Q34	RES,MF,24OHM,5%,.0625W,SM,0402,200PPM/CEL,PB-FREE	R1104	0613952Q49	RES,MF,100OHM,5%,.0625W,SM,0402,200PPM/CEL,PB-FREE	R1137	0613952R01	RES,MF,10KOHM,5%,.0625W,SM,0402,200PPM/CEL,PB-FREE	R1167	0613952R01	RES,MF,10KOHM,5%,.0625W,SM,0402,200PPM/CEL,PB-FREE
R818	0613952Q23	RES,MF,8.2OHM,5%,.0625W,SM,0402,200PPM/CEL,PB-FREE	R1105	0613952Q49	RES,MF,100OHM,5%,.0625W,SM,0402,200PPM/CEL,PB-FREE	R1138	0613952R25	RES,MF,100KOHM,5%,.0625W,SM,0402,200PPM/CEL,PB-FREE	R1168	0613952R66	RES,MF,0OHM,5%,.0625W,SM,0402,PB-FREE
R819	0613952Q59	RES,MF,270OHM,5%,.0625W,SM,0402,200PPM/CEL,PB-FREE	R1106	0613952Q25	RES,MF,10OHM,5%,.0625W,SM,0402,200PPM/CEL,PB-FREE	R1139	0613952R25	RES,MF,100KOHM,5%,.0625W,SM,0402,200PPM/CEL,PB-FREE	R1169	0613952P52	RES,MF,340KOHM,1%,.0625W,SM,0402,200PPM/CEL,PB-FREE
R822	0613952R08	RES,MF,20KOHM,5%,.0625W,SM,0402,200PPM/CEL,PB-FREE	R1107	0613952Q45	RES,MF,68OHM,5%,.0625W,SM,0402,200PPM/CEL,PB-FREE	R1140	0613952R25	RES,MF,100KOHM,5%,.0625W,SM,0402,200PPM/CEL,PB-FREE	R1170	0613952N88	RES,MF,80.6KOHM,1%,.0625W,SM,0402,200PPM/CEL,PB-FREE
R823	0613952R19	RES,MF,56KOHM,5%,.0625W,SM,0402,200PPM/CEL,PB-FREE	R1108	0613952R23	RES,MF,82KOHM,5%,.0625W,SM,0402,200PPM/CEL,PB-FREE	R1141	0613952R42	RES,MF,510KOHM,5%,.0625W,SM,0402,200PPM/CEL,PB-FREE	R1171	0613952R66	RES,MF,0OHM,5%,.0625W,SM,0402,PB-FREE
R827	0613952Q92	RES,MF,6.2KOHM,5%,.0625W,SM,0402,200PPM/CEL,PB-FREE	R1110	0613952R01	RES,MF,10KOHM,5%,.0625W,SM,0402,200PPM/CEL,PB-FREE	R1142	0613952R25	RES,MF,100KOHM,5%,.0625W,SM,0402,200PPM/CEL,PB-FREE	R1172	0613952Q89	RES,MF,4.7KOHM,5%,.0625W,SM,0402,200PPM/CEL,PB-FREE
R832	0613952Q29	RES,MF,15OHM,5%,.0625W,SM,0402,200PPM/CEL,PB-FREE	R1112	NOT PLACED	-	R1143	0613952R25	RES,MF,100KOHM,5%,.0625W,SM,0402,200PPM/CEL,PB-FREE	R1174	0613952R01	RES,MF,10KOHM,5%,.0625W,SM,0402,200PPM/CEL,PB-FREE
R833	0613952Q49	RES,MF,100OHM,5%,.0625W,SM,0402,200PPM/CEL,PB-FREE	R1114	0613952Q49	RES,MF,100OHM,5%,.0625W,SM,0402,200PPM/CEL,PB-FREE	R1144	0613952R25	RES,MF,100KOHM,5%,.0625W,SM,0402,200PPM/CEL,PB-FREE	R1175	0613952R66	RES,MF,0OHM,5%,.0625W,SM,0402,PB-FREE
R840	0613952Q29	RES,MF,15OHM,5%,.0625W,SM,0402,200PPM/CEL,PB-FREE	R1115	0613952Q49	RES,MF,100OHM,5%,.0625W,SM,0402,200PPM/CEL,PB-FREE	R1145	0613952R25	RES,MF,100KOHM,5%,.0625W,SM,0402,200PPM/CEL,PB-FREE	R1176	0613952Q73	RES,MF,1KOHM,5%,.0625W,SM,0402,200PPM/CEL,PB-FREE
R848	0613952Q29	RES,MF,15OHM,5%,.0625W,SM,0402,200PPM/CEL,PB-FREE	R1116	0613952R01	RES,MF,10KOHM,5%,.0625W,SM,0402,200PPM/CEL,PB-FREE	R1146	0613952R25	RES,MF,100KOHM,5%,.0625W,SM,0402,200PPM/CEL,PB-FREE	R1177	0613952R66	RES,MF,0OHM,5%,.0625W,SM,0402,PB-FREE
R849	0613952Q67	RES,MF,560OHM,5%,.0625W,SM,0402,200PPM/CEL,PB-FREE	R1117	0613952R22	RES,MF,75KOHM,5%,.0625W,SM,0402,200PPM/CEL,PB-FREE	R1151	0613952R01	RES,MF,10KOHM,5%,.0625W,SM,0402,200PPM/CEL,PB-FREE	R1178	0613952R01	RES,MF,10KOHM,5%,.0625W,SM,0402,200PPM/CEL,PB-FREE
R901	0613952R01	RES,MF,10KOHM,5%,.0625W,SM,0402,200PPM/CEL,PB-FREE	R1121	0613952R12	RES,MF,30KOHM,5%,.0625W,SM,0402,200PPM/CEL,PB-FREE	R1152	0613952R01	RES,MF,10KOHM,5%,.0625W,SM,0402,200PPM/CEL,PB-FREE	R1179	0613952R66	RES,MF,0OHM,5%,.0625W,SM,0402,PB-FREE
R902	0613952R01	RES,MF,10KOHM,5%,.0625W,SM,0402,200PPM/CEL,PB-FREE	R1122	0613952R22	RES,MF,75KOHM,5%,.0625W,SM,0402,200PPM/CEL,PB-FREE	R1154	0613952R01	RES,MF,10KOHM,5%,.0625W,SM,0402,200PPM/CEL,PB-FREE	R1180	0613952R66	RES,MF,0OHM,5%,.0625W,SM,0402,PB-FREE
R903	0613952R01	RES,MF,10KOHM,5%,.0625W,SM,0402,200PPM/CEL,PB-FREE	R1124	0613952Q42	RES,MF,510OHM,5%,.0625W,SM,0402,200PPM/CEL,PB-FREE	R1158	NOT PLACED	-	R1181	NOT PLACED	-
R904	0613952R13	RES,MF,33KOHM,5%,.0625W,SM,0402,200PPM/CEL,PB-FREE	R1125	0613952R17	RES,MF,47KOHM,5%,.0625W,SM,0402,200PPM/CEL,PB-FREE	R1160	0613952R03	RES,MF,12KOHM,5%,.0625W,SM,0402,200PPM/CEL,PB-FREE	R1182	0613952R01	RES,MF,10KOHM,5%,.0625W,SM,0402,200PPM/CEL,PB-FREE
R905	0613952Q73	RES,MF,1KOHM,5%,.0625W,SM,0402,200PPM/CEL,PB-FREE	R1126	0613952R08	RES,MF,20KOHM,5%,.0625W,SM,0402,200PPM/CEL,PB-FREE	R1161	0613952R01	RES,MF,10KOHM,5%,.0625W,SM,0402,200PPM/CEL,PB-FREE	R1183	0613952Q73	RES,MF,1KOHM,5%,.0625W,SM,0402,200PPM/CEL,PB-FREE
R906	0613952Q61	RES,MF,330OHM,5%,.0625W,SM,0402,200PPM/CEL,PB-FREE	R1127	0613952R08	RES,MF,20KOHM,5%,.0625W,SM,0402,200PPM/CEL,PB-FREE	R1162	0613952R29	RES,MF,150KOHM,5%,.0625W,SM,0402,200PPM/CEL,PB-FREE	R1184	0613952Q81	RES,MF,2.2KOHM,5%,.0625W,SM,0402,200PPM/CEL,PB-FREE
R1101	0613952R25	RES,MF,100KOHM,5%,.0625W,SM,0402,200PPM/CEL,PB-FREE	R1128	0613952R01	RES,MF,10KOHM,5%,.0625W,SM,0402,200PPM/CEL,PB-FREE	R1163	0613952R01	RES,MF,10KOHM,5%,.0625W,SM,0402,200PPM/CEL,PB-FREE	R1304	NOT PLACED	-
R1102	0613952R25	RES,MF,100KOHM,5%,.0625W,SM,0402,200PPM/CEL,PB-FREE	R1129	NOT PLACED	-	R1164	0613952R01	RES,MF,10KOHM,5%,.0625W,SM,0402,200PPM/CEL,PB-FREE	R1307	0613952Q73	RES,MF,1KOHM,5%,.0625W,SM,0402,200PPM/CEL,PB-FREE
R1103	06009259001	RES,SHUNT,.02OHM,.25W,SMD,LOW RESISTANCE THK FLM RES	R1130	NOT PLACED	-	R1165	0613952Q56	RES,MF,200OHM,5%,.0625W,SM,0402,200PPM/CEL,PB-FREE	R1601	0613952Q96	RES,MF,9.1KOHM,5%,.0625W,SM,0402,200PPM/CEL,PB-FREE
			R1135	0613952R66	RES,MF,0OHM,5%,.0625W,SM,0402,PB-FREE	R1166	0613952Q56	RES,MF,200OHM,5%,.0625W,SM,0402,200PPM/CEL,PB-FREE	R1602	0613952R01	RES,MF,10KOHM,5%,.0625W,SM,0402,200PPM/CEL,PB-FREE
			R1136	0613952R01	RES,MF,10KOHM,5%,.0625W,SM,0402,200PPM/CEL,PB-FREE						

Ref. Des.	Part Number	Description	Ref. Des.	Part Number	Description	Ref. Des.	Part Number	Description	Ref. Des.	Part Number	Description
R1603	0613952R08	RES,MF,20KOHM,5%,.0625W,SM,0402,200PPM/CEL,PB-FREE	SH5	2675879B01	SHLD,STL,SN PLT,SHIELD,DRVR PA	U601	5102495J14	IC,IF,IF DIGITILIZING SUBSYSTEM IC,AD9864,QFN	U1102	5175772B03	RF SWITCH,RF SWITCH,10W,RECONFIGURABLE 10W SP5T/3T RF SWITC
R1604	0613952R13	RES,MF,33KOHM,5%,.0625W,SM,0402,200PPM/CEL,PB-FREE	SH6	2675876B01	SHLD,STL,SN PLT,SHIELD, VCO	U602	4885316E32	XSTR,BIP RF SML SGNL,SLCN,BFR380F,SM,SMT,6V,380W,80A,14MHZ,TR	U1103	5185070Y01	IC,TEMP SENS
R1605	0613952Q73	RES,MF,1KOHM,5%,.0625W,SM,0402,200PPM/CEL,PB-FREE	SH7	2675874B01	SHLD,STL,SN PLT,SHIELD, MXR	U603	5109522E84	IC,DUAL SCHMITT TRIG MICRO PAK	U1104	5185941F56	IC,OP AMP,1PER PKG,RAIL-RAIL,SOIC,IC SNGL LV LP OP AMP
R1606	0613952H61	RES,MF,330OHM,5%,.1W,SM,0603,200PPM/CEL,PB-FREE	SH8	2675932B01	SHLD,SHIELD, 2ND LO VCO	U604	5109522E84	IC,DUAL SCHMITT TRIG MICRO PAK	U1105	5180390L83	IC,CNTRLR,SM,1PER PKG
R1606	NOT PLACED	-	SH9	2675934B01	SHLD,SHIELD, DC	U605	5164852H16	IC,TRANSLATING,2PER PKG,LVC2T45,TRANSCEIVER W/VOLTAGE TRANSLATI	U1106	5175772B05	IC,LTC5532ES6,SOT-23,1PER PKG,PRCN RF DET
R1801	0685524Y01	RES,0OHM	SH10	2675859B01	SHLD,STL,SN PLT,SHIELD, OUT MATCH	U605	5164852H16	IC,TRANSLATING,2PER PKG,LVC2T45,TRANSCEIVER W/VOLTAGE TRANSLATI	U1109	5114007M32	IC,OR,2PER PKG,SM,US8,PB-FREE
R2006	0613952R01	RES,MF,10KOHM,5%,.0625W,SM,0402,200PPM/CEL,PB-FREE	SH11	2675877B01	SHLD,STL,SN PLT,SHIELD, ALC	U606	5164852H16	IC,TRANSLATING,2PER PKG,LVC2T45,TRANSCEIVER W/VOLTAGE TRANSLATI	U1110	5180428L15	SW,RF SWITCH,SPDT,SMT,6W,3V
R2007	0613952R01	RES,MF,10KOHM,5%,.0625W,SM,0402,200PPM/CEL,PB-FREE	SH12	2675933B01	SHLD,SHIELD, IF AMP	U606	5164852H16	IC,TRANSLATING,2PER PKG,LVC2T45,TRANSCEIVER W/VOLTAGE TRANSLATI	U1111	5175771A26	IC,SW,50OHM,CMOS FET SW SPDT, 10WATTS
R2008	0613952R01	RES,MF,10KOHM,5%,.0625W,SM,0402,200PPM/CEL,PB-FREE	SH13	2675870B01	SHLD,STL,SN PLT,SHIELD, HAR FLTR	U607	5186311J24	IC,BFR,1PER PKG,NC7SZ125,ACTIVE HIGH,BFR,3ST,SM,5.5	U1112	5175772B04	IC,HMC468LP3E,QFN,1 DB LSB GAAS MMIC ATTEN
R2009	0613952R01	RES,MF,10KOHM,5%,.0625W,SM,0402,200PPM/CEL,PB-FREE	SH14	2671905H01	SHLD,CAN,STL, 15.32MMLG,8.3MMW,2.35MM,SHIELD,REGLTR	U702	5164015H28	IC,CUST,MULTI PROTOCOL/BAND TRANSCVR IC,SM,BGA,TRIDENT, INTEG	U1113	5185941F56	IC,OP AMP,1PER PKG,RAIL-RAIL,SOIC,IC SNGL LV LP OP AMP
R2010	0613952Q73	RES,MF,1KOHM,5%,.0625W,SM,0402,200PPM/CEL,PB-FREE	T503	2575851B01	XFMR,BALUN,RF XFMR BALUN	U703	5175772B06	IC,SERIAL INTERFACE I/O EXPANDER,QFN,24BITS,28-PORT I/O EXPA	U1116	5109522E93	GATE,OR,SN74LVC1G32YZPR,1PER PKG,SM,2 INPUT IN NANO PKG
R2011	0613952Q73	RES,MF,1KOHM,5%,.0625W,SM,0402,200PPM/CEL,PB-FREE	T504	2575851B01	XFMR,BALUN,RF XFMR BALUN	U708	5171972L01	IC,SW,SP3T RF SW	U1117	5103535B53	IC,INVTR,DL,NC7WZ04L6X,2PER PKG,SC70
R2021	0613952R22	RES,MF,75KOHM,5%,.0625W,SM,0402,200PPM/CEL,PB-FREE	T505	2575851B01	XFMR,BALUN,RF XFMR BALUN	U709	5171972L01	IC,SW,SP3T RF SW	U1118	5188085K11	IC,NAND,SINGLE 2 INPUT,SN74LVC1G00YZPR,SM,GATE,P OS,5 DSBGA,PB-
R2022	0613952R27	RES,MF,120KOHM,5%,.0625W,SM,0402,200PPM/CEL,PB-FREE	U101	5105443X07	IC,SERIAL EEPROM,32/64 KBIT,DFN,EEPROM 32KBIT SER SPI BUS	U710	5171972L01	IC,SW,SP3T RF SW	U1119	5186311J53	IC,AND,DUAL 2-INPUT AND GATE,NC7WZ08,2PER PKG,SM,MSOP
R2023	0613952R01	RES,MF,10KOHM,5%,.0625W,SM,0402,200PPM/CEL,PB-FREE	U200	5188493T01	IC,VREG/SWG,LP2989,SM,MINI SO-8 HI PRCN REG 5V	U711	5171972L01	IC,SW,SP3T RF SW	U1121	5114000B52	IC,XOR,LOGIC LEVEL SHIFTER,1PER PKG,SM,SOT-353,PB-FREE
R2024	0613952Q37	RES,MF,33OHM,5%,.0625W,SM,0402,200PPM/CEL,PB-FREE	U201	5175771A99	IC,LNR V REGLTR,FXD,100MA,VFBGA,LOW NOISE, 100MA LINEAR REGL	U746	4805218N63	XSTR,GEN PURPOSE SMALL SIG,SOT-323,BROADBAND & XSTR BF	U1122	5180428L15	SW,RF SWITCH,SPDT,SMT, 6W,3V
R2025	0613952Q11	RES,MF,2.7OHM,5%,.0625W,SM,0402,200PPM/CEL,PB-FREE	U202	5175772B02	IC,LNR V REGLTR,FXD,1.8V,100MA,VFBGA,LINEAR REGLTR 100MA 1.8	U901	5175143H01	IC,WIDE SPLY RANGE OP AMP	U1123	5188085K11	IC,NAND,SINGLE 2 INPUT,SN74LVC1G00YZPR,SM,GATE,P OS,5 DSBGA,PB-
R2035	0613952Q75	RES,MF,1.2KOHM,5%,.0625W,SM,0402,200PPM/CEL,PB-FREE	U203	5175772B01	IC,LNR V REGLTR,FXD,1.5V,350MA,VFBGA,LINEAR V REGLTR 350MA	U902	5115678H01	IC,RF AMPLIFIER,BGA,TSSOP16EP,30MHZMIN,941MHZ MAX,VHF/UHF/800			
SH1	2675871B01	SHLD,STL,SN PLT,SHIELD, FGU	U302	4885316E32	XSTR,BIP RF SML SGNL,SLCN,BFR380F,SM,SMT,6V,380W,80A,14MHZ,TR	U1101	5188032U43	IC,SENSING CIRCUIT,INA138,SM,SOT-23/5,1PER PKG,PB FREE			
SH2	2675872B01	SHLD,STL,SN PLT,SHIELD, XTAL	U501	5180428L15	SW,RF SWITCH,SPDT,SMT,6W,3V						
SH3	2675873B01	SHLD,STL,SN PLT,SHIELD, ABACUS	U502	5103535B53	IC,INVTR,DL,NC7WZ04L6X,2PER PKG,SC70						
SH4	2675878B01	SHLD,STL,SN PLT,SHIELD, FRNT END	U506	5164852H82	IC,MXR,IC, MIXER/ BFR						

Ref. Des.	Part Number	Description
U1125	5175206H01	IC,DAC,W/ 5 PPM/C INT REF
U1126	5109817F77	IC,COMPTR,LMV7275,SC70-5
U1127	5171779H01	IC,ANLG SW,SC70,SC70-6, 1PER PKG,SPDT ANLG SW
U1128	5188085K11	IC,NAND,SINGLE 2 INPUT, SN74LVC1G00YZPR,SM,GATE, POS,5 DSBGA,PB-
U1129	5175143H01	IC,WIDE SPLY RANGE OP AMP
U1130	5175143H01	IC,WIDE SPLY RANGE OP AMP
U1131	5109817F77	IC,COMPTR,LMV7275,SC70-5
U1132	5114007M28	IC,F-F/D,1PER PKG,17SZ74, N-I,SM,SOIC8,PB-FREE
U1133	5171779H01	IC,ANLG SW,SC70,SC70-6, 1PER PKG,SPDT ANLG SW
U1133	5171779H01	IC,ANLG SW,SC70,SC70-6, 1PER PKG,SPDT ANLG SW
U1136	5109522E94	GATE,AND,1PER PKG,SM,2 INPUT IN NANO PKG
U1137	5164852H16	IC,TRANSLATING,2PER PKG, LVC2T45,TRANSCEIVER W/ VOLTAGE TRANSLATI
U1138	5164852H16	IC,TRANSLATING,2PER PKG, LVC2T45,TRANSCEIVER W/ VOLTAGE TRANSLATI
U1138	5164852H16	IC,TRANSLATING,2PER PKG, LVC2T45,TRANSCEIVER W/ VOLTAGE TRANSLATI
U1139	5164852H16	IC,TRANSLATING,2PER PKG, LVC2T45,TRANSCEIVER W/ VOLTAGE TRANSLATI
U1139	5164852H16	IC,TRANSLATING,2PER PKG, LVC2T45,TRANSCEIVER W/ VOLTAGE TRANSLATI
U1140	5171779H01	IC,ANLG SW,SC70,SC70-6, 1PER PKG,SPDT ANLG SW
U1140	5171779H01	IC,ANLG SW,SC70,SC70-6, 1PER PKG,SPDT ANLG SW
U1141	5185941F56	IC,OP AMP,1PER PKG,RAIL-RAIL,SOIC,IC SNGL LV LP OP AMP

Ref. Des.	Part Number	Description
U1142	5185941F56	IC,OP AMP,1PER PKG,RAIL-RAIL,SOIC,IC SNGL LV LP OP AMP
U1143	5185941F56	IC,OP AMP,1PER PKG,RAIL-RAIL,SOIC,IC SNGL LV LP OP AMP
U1144	5171779H01	IC,ANLG SW,SC70,SC70-6, 1PER PKG,SPDT ANLG SW
U1144	5171779H01	IC,ANLG SW,SC70,SC70-6, 1PER PKG,SPDT ANLG SW
U1145	5171779H01	IC,ANLG SW,SC70,SC70-6, 1PER PKG,SPDT ANLG SW
U1145	5171779H01	IC,ANLG SW,SC70,SC70-6, 1PER PKG,SPDT ANLG SW
U1146	5109522E93	GATE,OR,SN74LVC1G32YZPR, 1PER PKG,SM,2 INPUT IN NANO PKG
U1147	5109522E94	GATE,AND,1PER PKG,SM, 2 INPUT IN NANO PKG
U1148	5185941F56	IC,OP AMP,1PER PKG,RAIL-RAIL,SOIC,IC SNGL LV LP OP AMP
U1304	5105739X13	IC,AMP,SIGE,QFN,QFN,18DB, 1.57GHZMIN,1.57GHZMAX, .9DB,SIGE GPS LO
U1601	5175143H01	IC,WIDE SPLY RANGE OP AMP
U1602	5115678H01	IC,RF AMPLIFIER,BGA, TSSOP16EP,30MHZMIN,941MHZ MAX,VHF/UHF/800
U2032	4885316E32	XSTR,BIP RF SML SGNL,SLCN, BFR380F,SM,SMT,6V,380W,80A, 14MHZ,TR
VR101	4813977M29	DIODE,VREF,MBZ5250,SM, SOT-23,20V,.225W,ZEN
VR200	4813977M29	DIODE,VREF,MBZ5250,SM, SOT-23,20V,.225W,ZEN
VR601	4805656W87	DIODE,VCTR, @ 15V,1SV279, SOD-523/SC-79,SOD-523/SC-79
VR602	4805656W87	DIODE,VCTR, @ 15V,1SV279, SOD-523/SC-79,SOD-523/SC-79
VR2005	4815096H01	DIODE,VCTR, @ 10V,1SV305G, SM,VCTR DIODE 1SV305

Ref. Des.	Part Number	Description
VR2006	4815096H01	DIODE,VCTR, @ 10V,1SV305G, SM,VCTR DIODE 1SV305
VR2007	4815096H01	DIODE,VCTR, @ 10V,1SV305G, SM,VCTR DIODE 1SV305
VR2008	4815096H01	DIODE,VCTR, @ 10V,1SV305G, SM,VCTR DIODE 1SV305
VR2010	4815096H01	DIODE,VCTR, @ 10V,1SV305G, SM,VCTR DIODE 1SV305
VR2020	4815096H01	DIODE,VCTR, @ 10V,1SV305G, SM,VCTR DIODE 1SV305
Y701	4871886H01	OSC,TCXO,16.8MHZ,SM, 16.8 MHZ VCTXO .8PPM
Y704	5164852H68	OSC,VOLTAGE CONTROLLED, 411MHZ MAX,270MHZ MIN,SM, M9LX7WX2.5H,I
Y705	5164852H66	OSC,VOLTAGE CONTROLLED, 520MHZ MAX,380MHZ MIN,SM, M9LX7WX2.5H,I
Y706	NOT PLACED	-
Y707	5164852H67	OSC,VOLTAGE CONTROLLED, 824MHZ MAX,245MHZ MIN,SM, M9LX7WX2.5H,I

Notes

8.6 Transceiver (RF) Boards: UHF1/UHF2

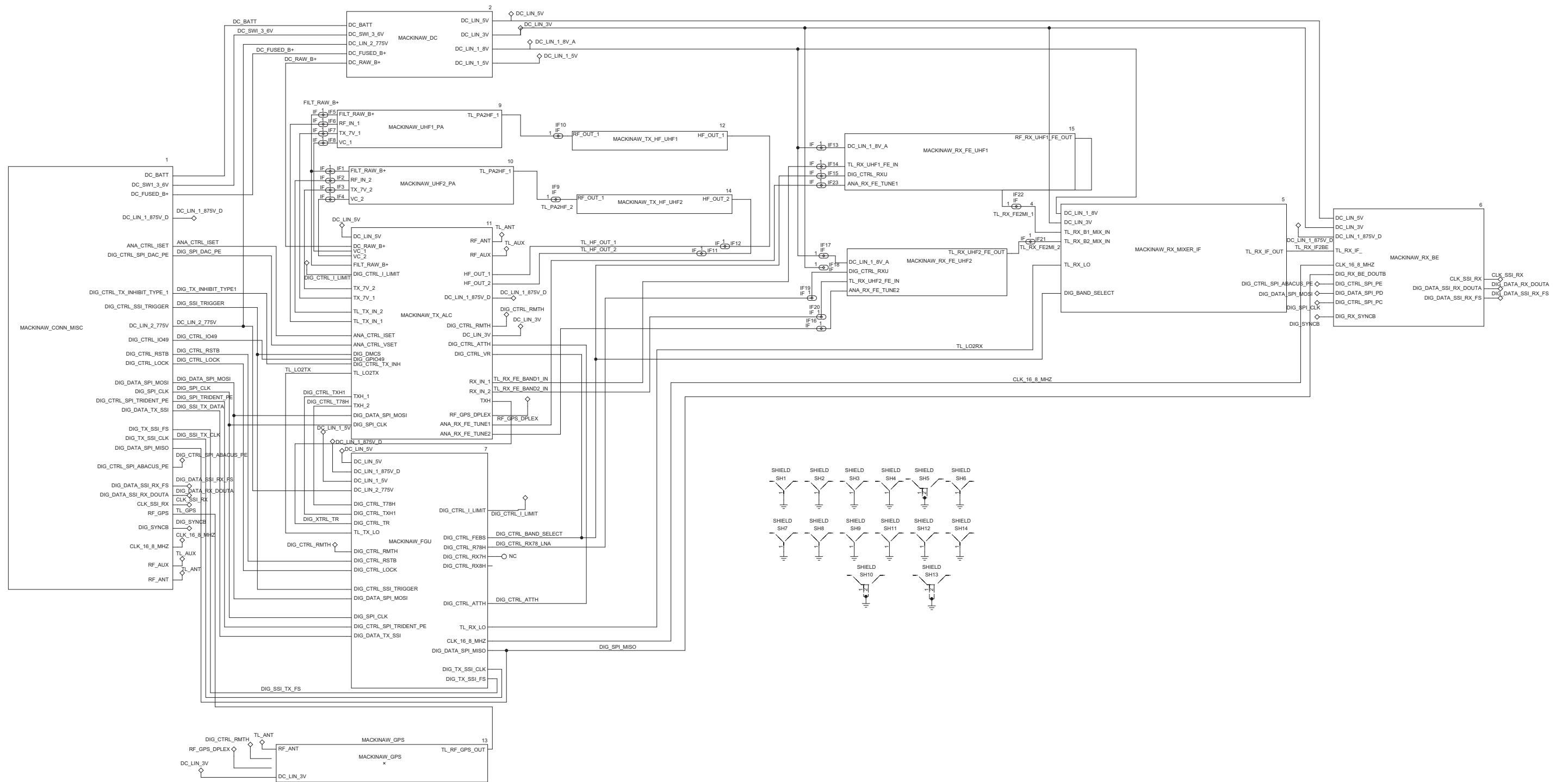


Figure 8-63. MNUE7367A Transceiver (RF) Board Overall Circuit Schematic

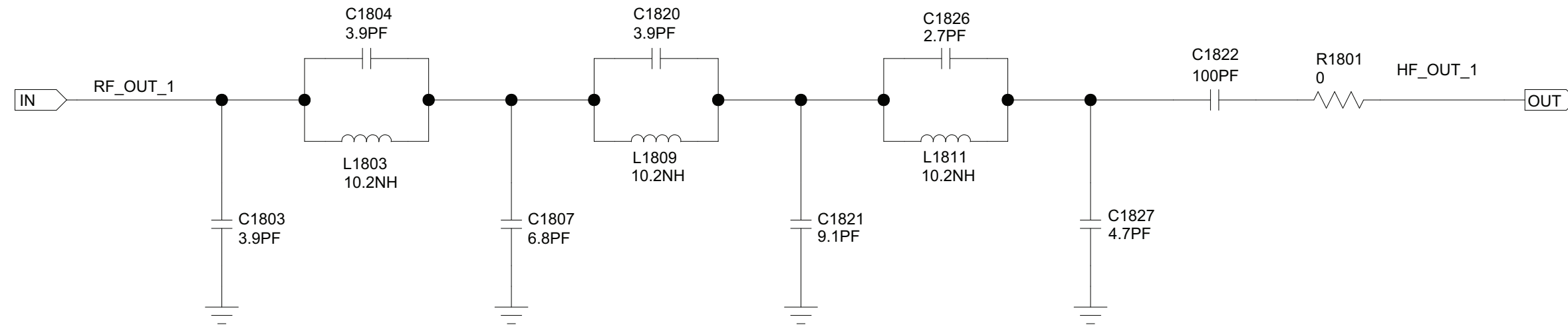


Figure 8-64. MNUE7367A UHF1 Harmonic Filter Circuit

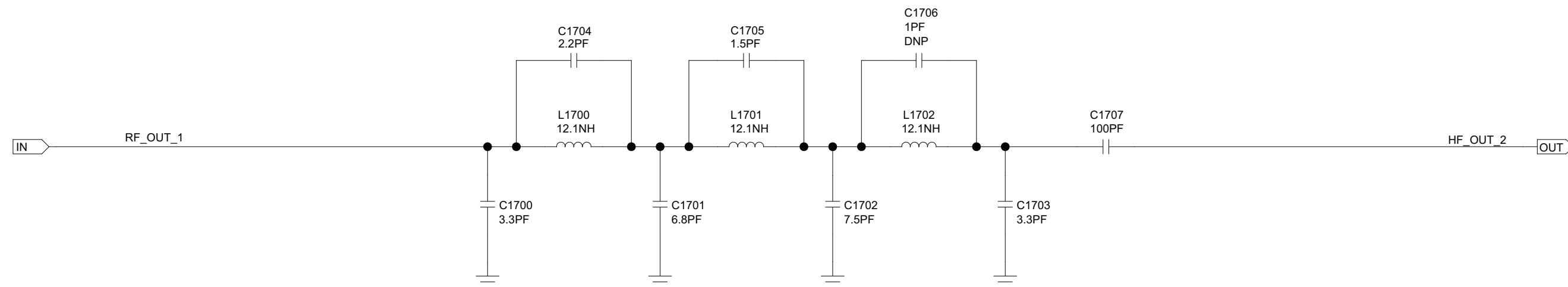


Figure 8-65. MNUE7367A UHF2 MHz Harmonic Filter Circuit

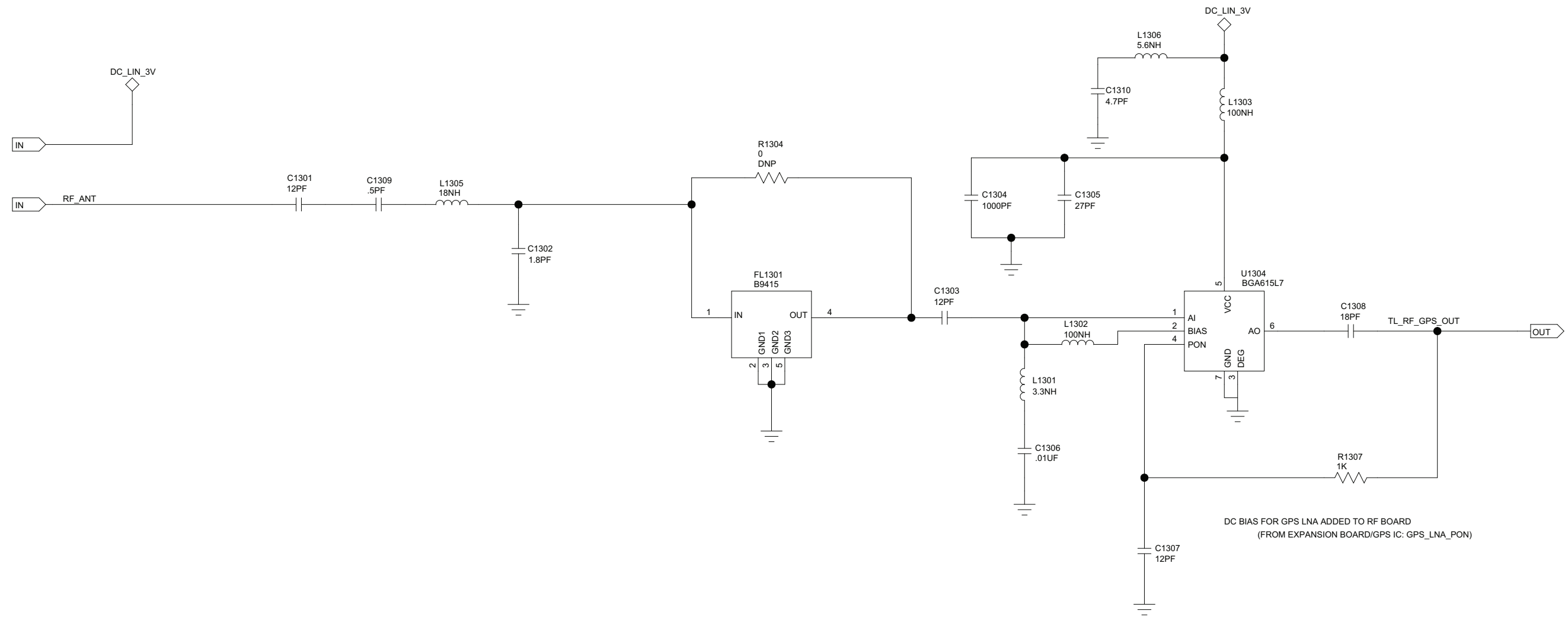


Figure 8-66. MNUE7367A GPS Circuit

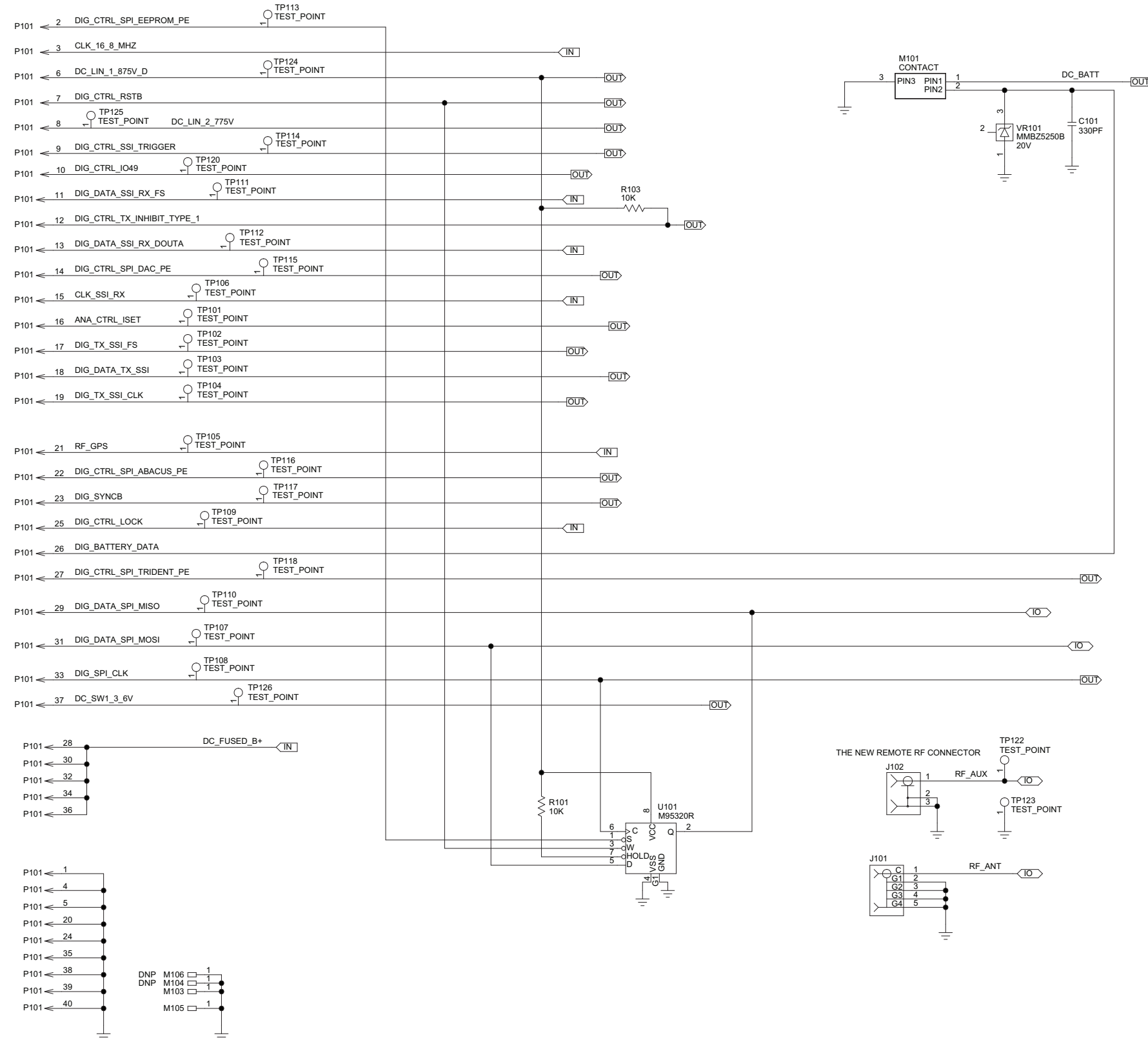


Figure 8-67. MNUE7367A Miscellaneous Connector Circuit

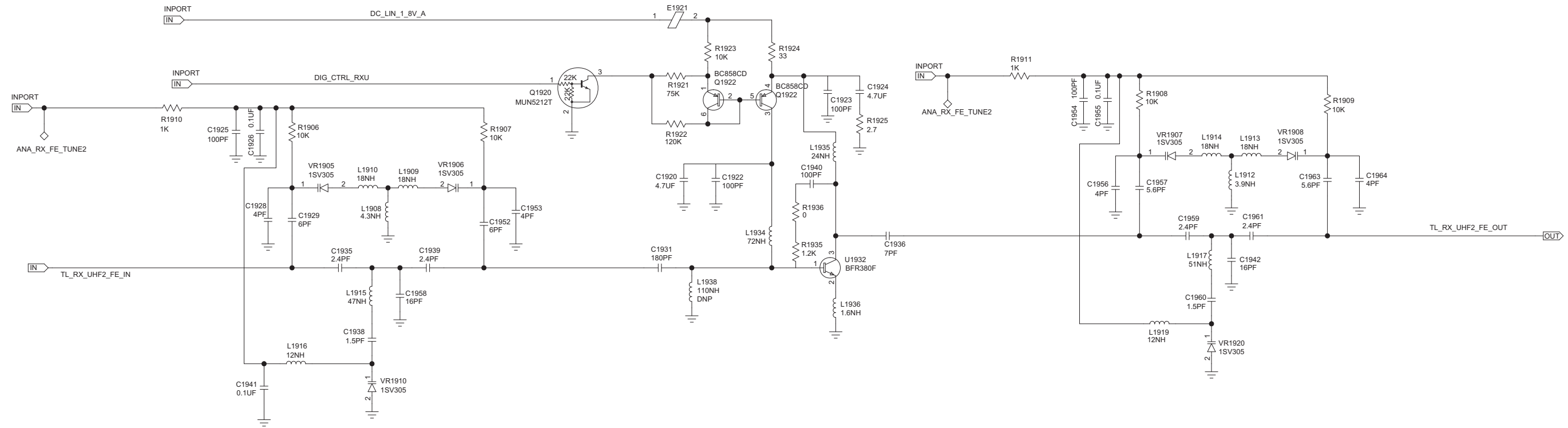


Figure 8-69. MNUE7367A UHF2 Receiver Front End Circuit

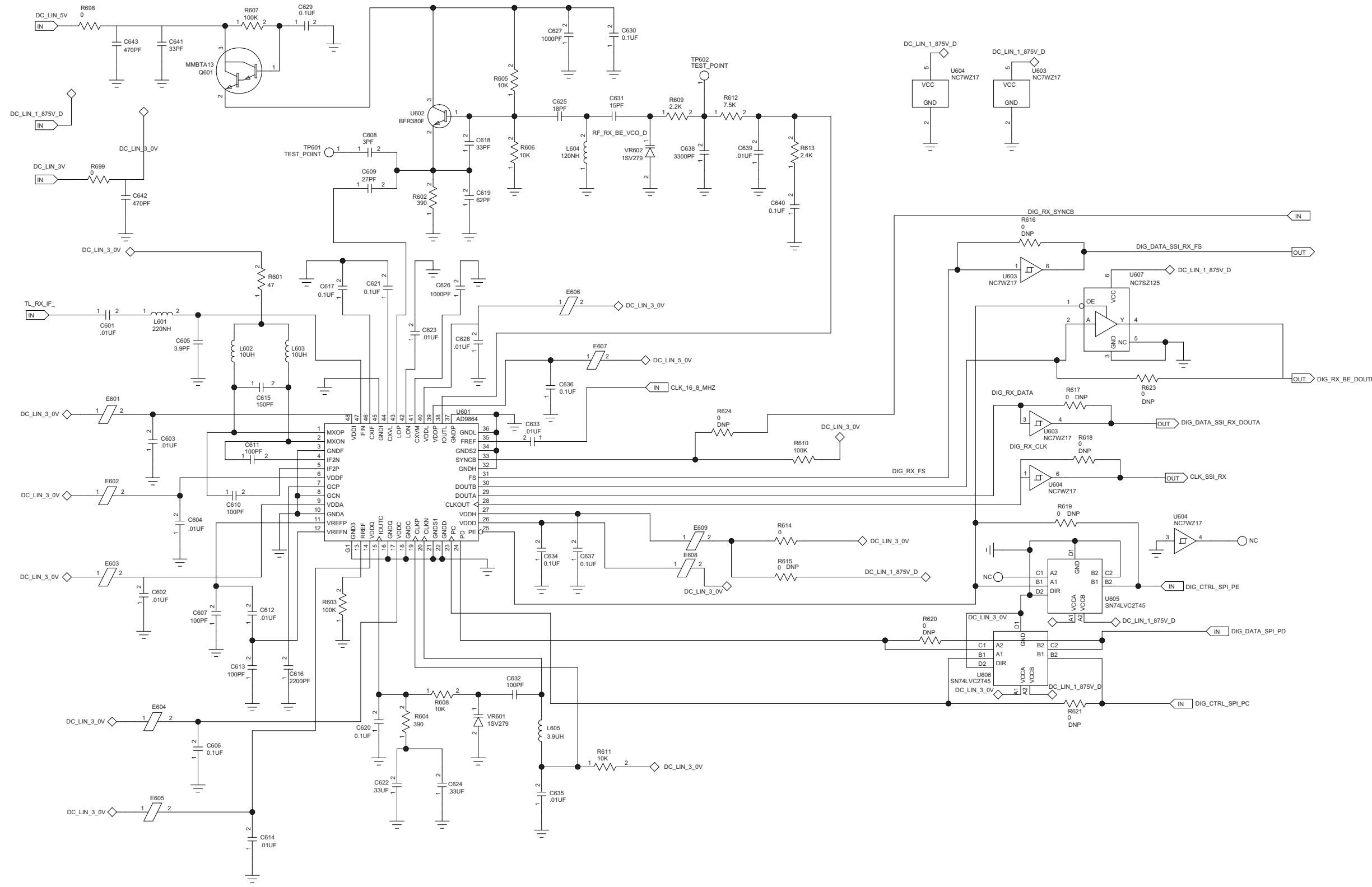


Figure 8-70. MNUE7367A Receiver Back End Circuit

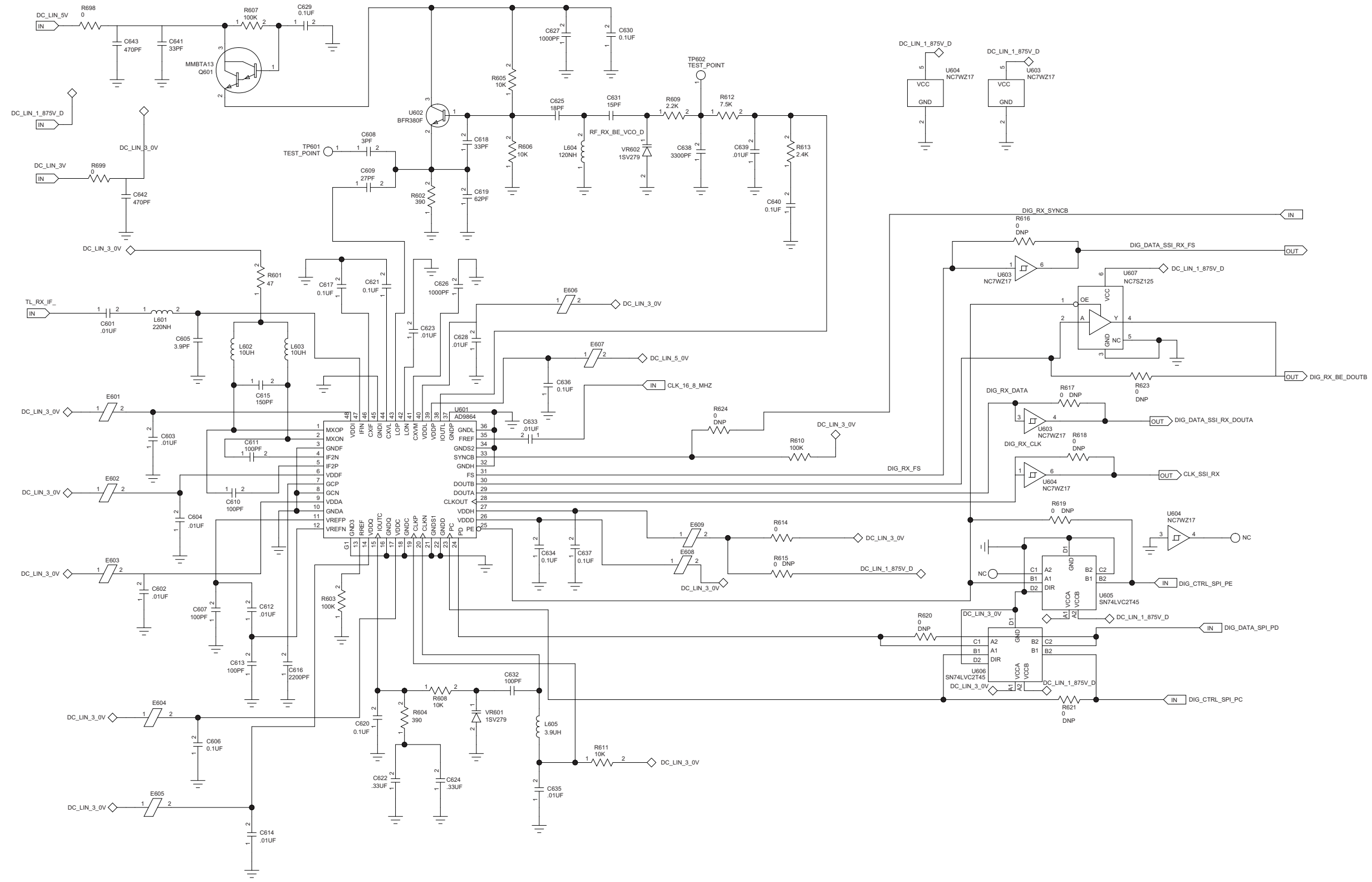


Figure 8-71. MNUE7367x Receiver Back End Circuit

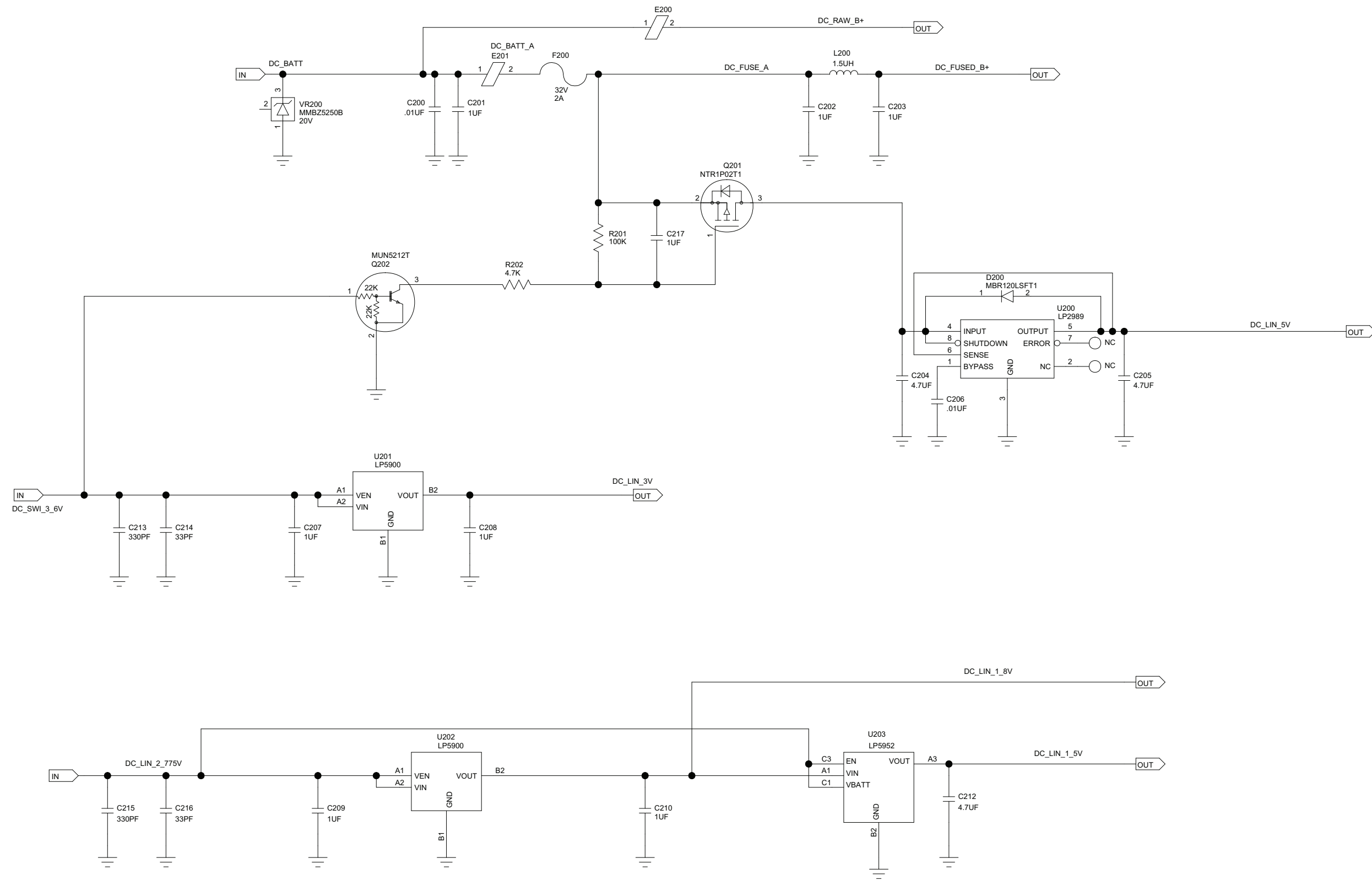


Figure 8-72. MNUE7367A DC Power Circuit

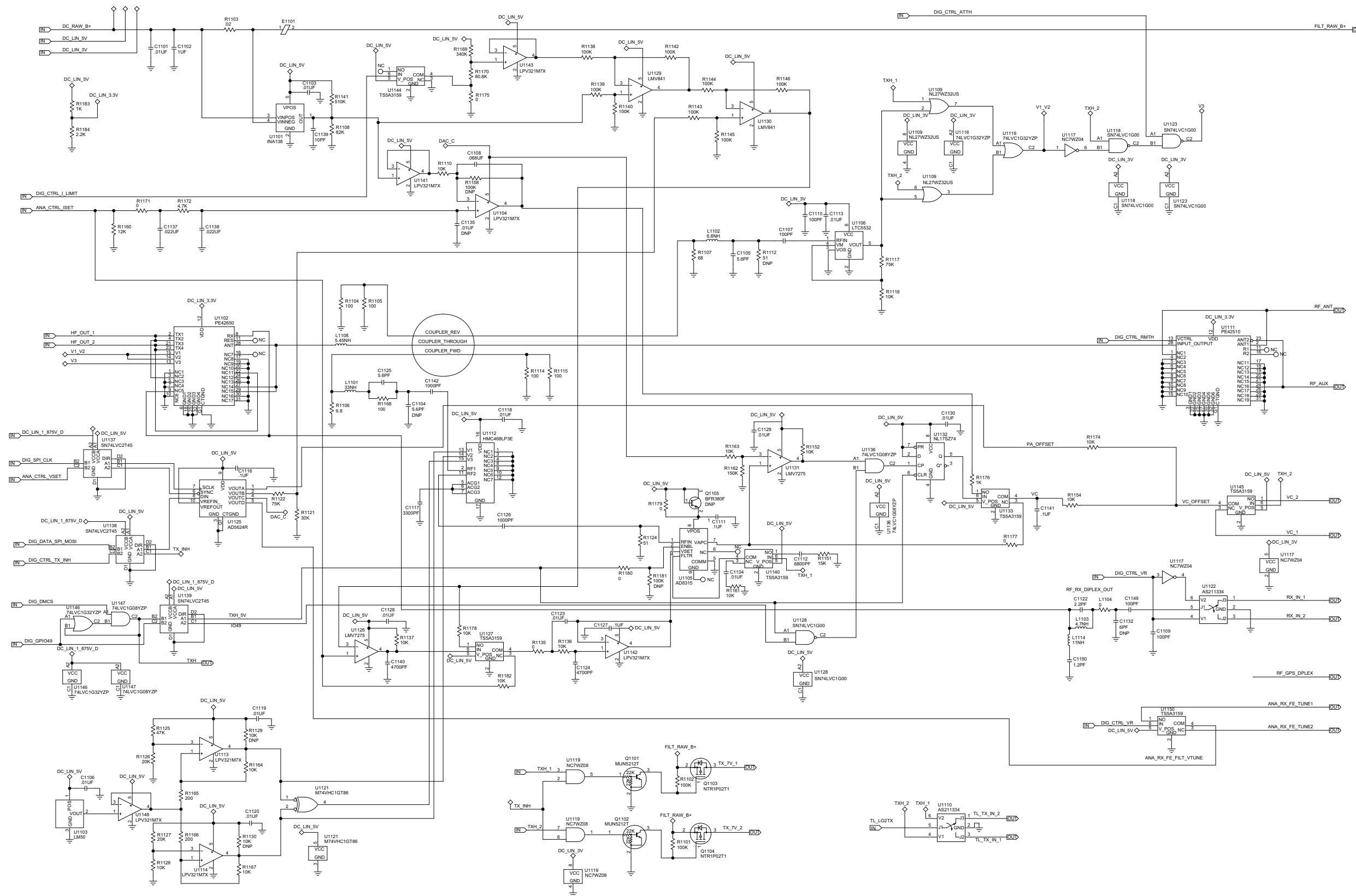


Figure 8-73. MNUE7367A Transmitter and Automatic Level Control Circuits

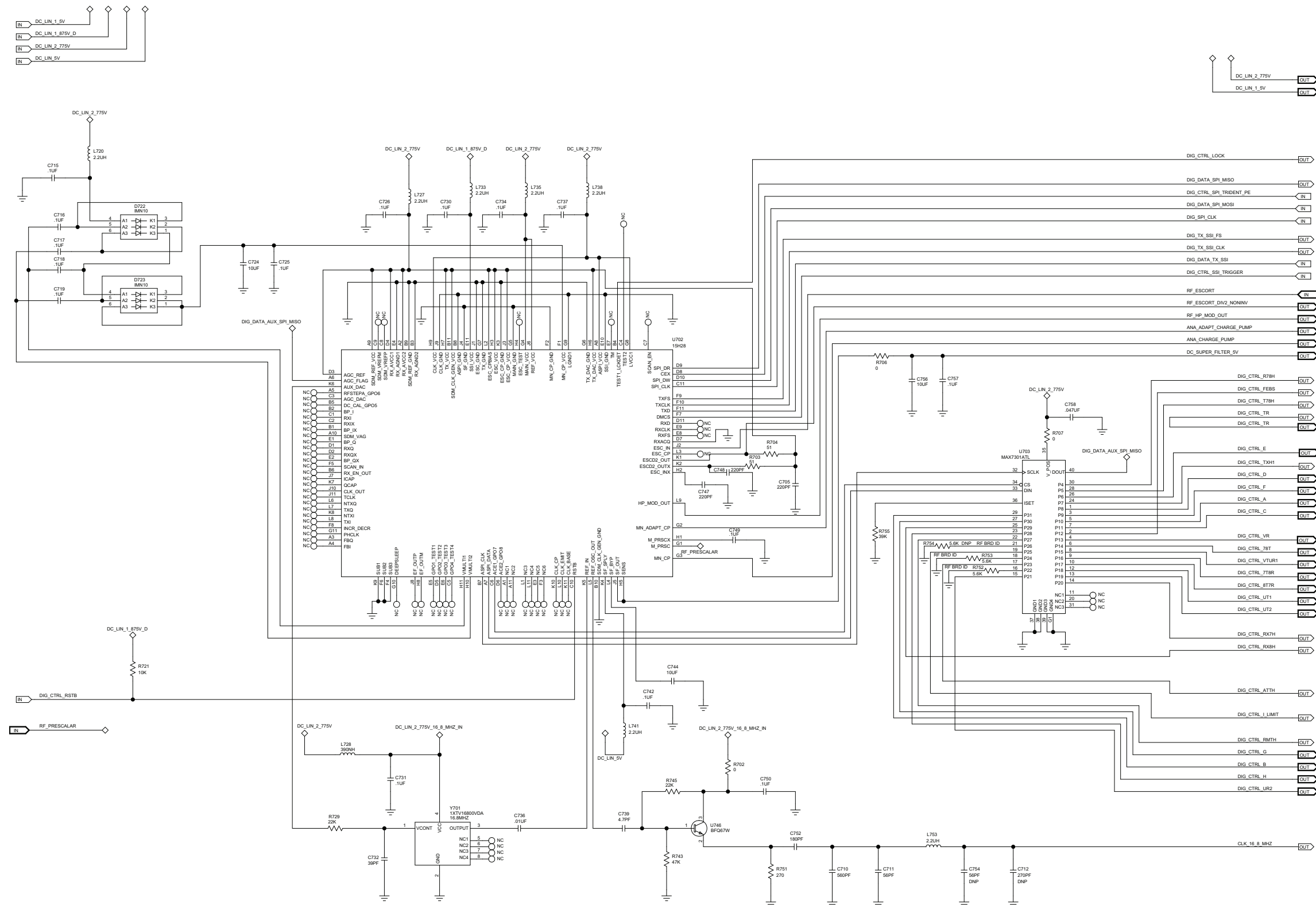


Figure 8-74. MNUE7367A Frequency Generation Unit (Synthesizer) Circuit – 1 of 2

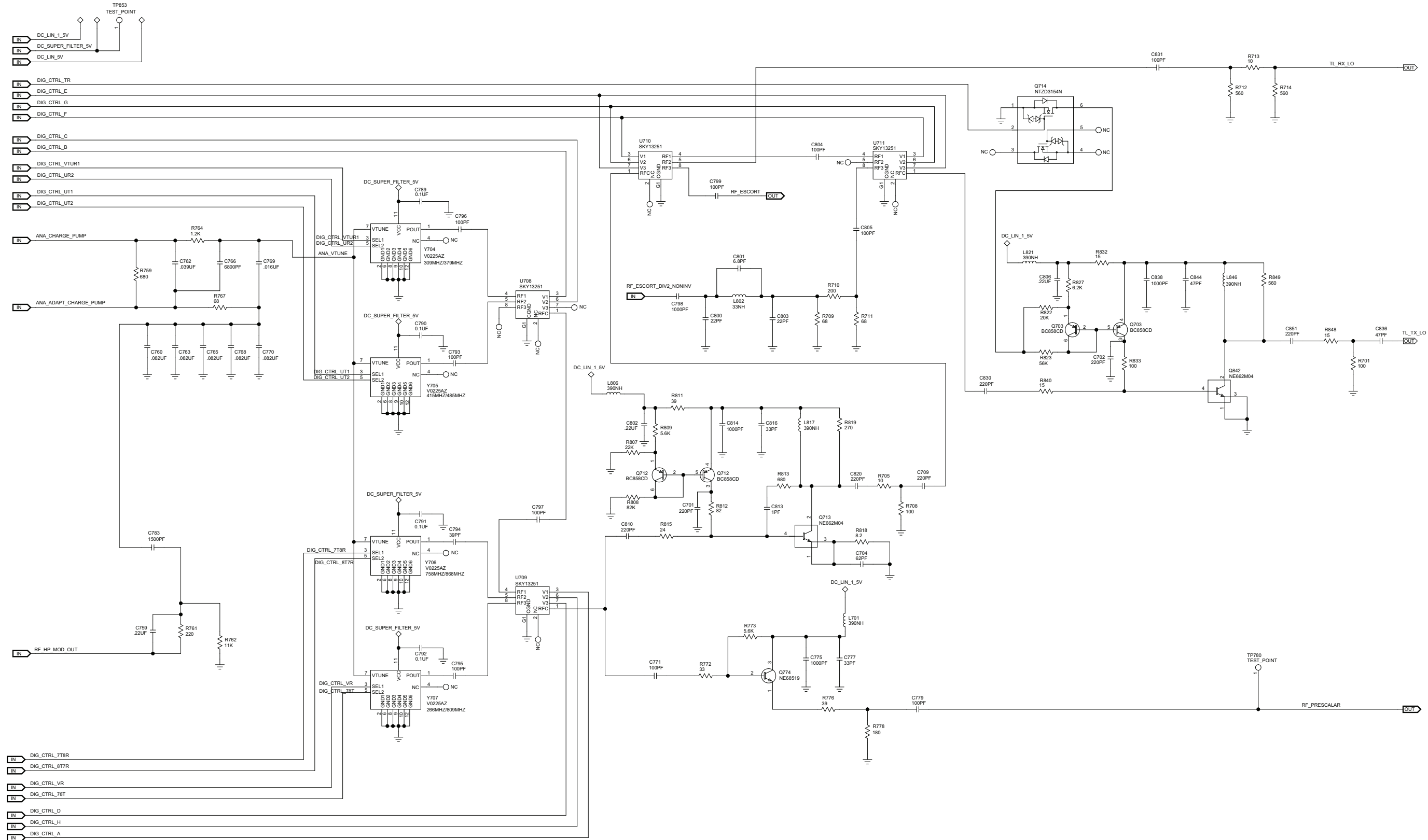


Figure 8-75. MNUE7367A Frequency Generation Unit (VCO) Circuit – 2 of 2

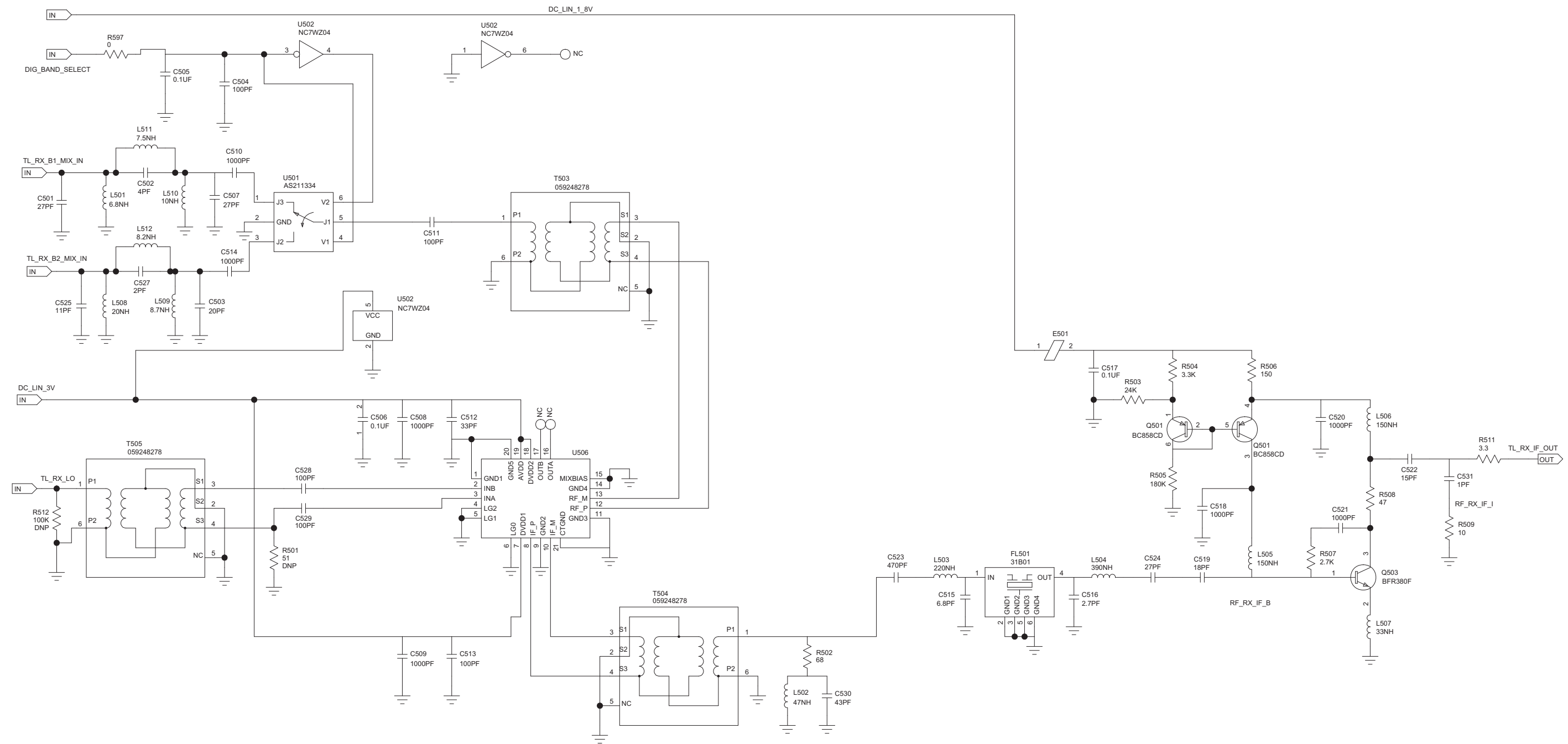


Figure 8-76. MNUE7367A Mixer and IF Filter Circuits

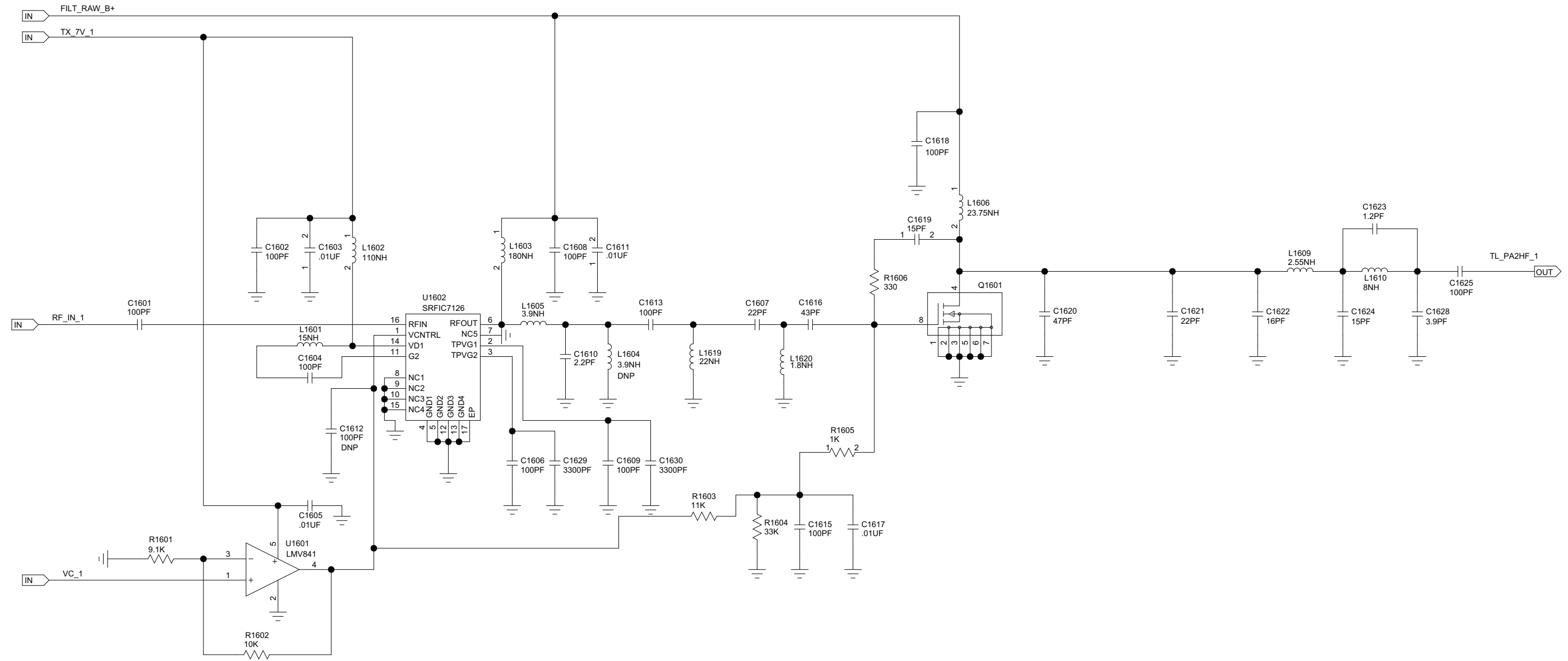


Figure 8-77. MNUE7367A UHF1 Power Amplifier Circuit

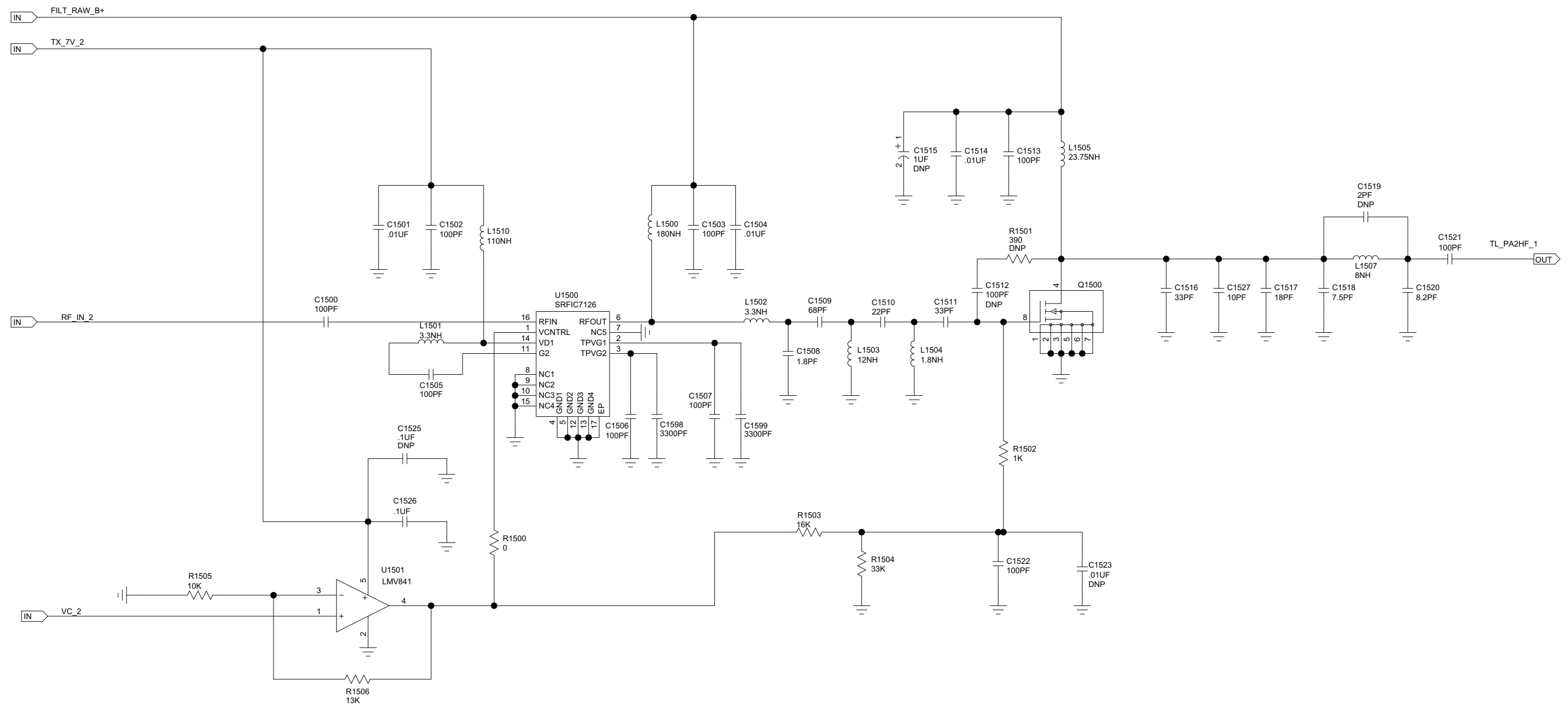


Figure 8-78. MNUE7367A UHF2 Power Amplifier Circuit

**MNUE7367A UHF1/UHF2 Transceiver (RF)
Board Parts List**

Ref. Des.	Part Number	Description
C101	2113944A46	CAP CER CHP 330.0 PF 50V 5%
C200	2113945B02	CAP CER CHP 10,000PF 25V 10%
C201	2188468Y01	CAP CER 25V X7R 0805 1UF
C202	2188468Y01	CAP CER 25V X7R 0805 1UF
C203	2188468Y01	CAP CER 25V X7R 0805 1UF
C204	2113955D35	CAP,FXD,4.7UF,+10%,-10%, 16V-DC,1206,X7R,-55DEG CMIN,125DEG CMAX
C205	2113955D35	CAP,FXD,4.7UF,+10%,-10%, 16V-DC,1206,X7R,-55DEG CMIN,125DEG CMAX
C206	2113945B02	CAP CER CHP 10,000PF 25V 10%
C207	2113956B91	CAP,FXD,1UF,+10%,-10%,16V-DC,0603,X5R,-55DEG CMIN,85DEG CMAX,PB
C208	2113956B91	CAP,FXD,1UF,+10%,-10%,16V-DC,0603,X5R,-55DEG CMIN,85DEG CMAX,PB
C209	2113956B91	CAP,FXD,1UF,+10%,-10%,16V-DC,0603,X5R,-55DEG CMIN,85DEG CMAX,PB
C210	2113956B91	CAP,FXD,1UF,+10%,-10%,16V-DC,0603,X5R,-55DEG CMIN,85DEG CMAX,PB
C212	2113946D07	CAP,CHIP,4.7UF,+10%,-10%,6.3V-DC,0603,X5R,-55DEG CMIN,85DEG CMA
C213	2113944A46	CAP CER CHP 330.0 PF 50V 5%
C214	2113944A31	CAP CER CHP 33.0PF 50V 5%
C215	2113944A46	CAP CER CHP 330.0 PF 50V 5%
C216	2113944A31	CAP CER CHP 33.0PF 50V 5%
C217	2113956B91	CAP,FXD,1UF,+10%,-10%,16V-DC,0603,X5R,-55DEG CMIN,85DEG CMAX,PB
C501	2115153H43	CAP, CERAMIC, COG
C502	2115153H28	CAP, CERAMIC, COG
C503	2115153H40	CAP, CERAMIC, COG
C504	2113944A40	CAP CER CHP 100.0PF 50V 5%
C505	2113946B04	CAP CER CHP 0.10UF 10V 10%
C506	2113946B04	CAP CER CHP 0.10UF 10V 10%

Ref. Des.	Part Number	Description
C507	2115153H43	CAP, CERAMIC, COG
C508	2113945A09	CAP CER CHP 1000PF 50V 10%
C509	2113945A09	CAP CER CHP 1000PF 50V 10%
C510	2113944A52	CAP CER CHP 1000.0 PF 50V 5%
C511	2113944A40	CAP CER CHP 100.0PF 50V 5%
C512	2113944A31	CAP CER CHP 33.0PF 50V 5%
C513	2113944A40	CAP CER CHP 100.0PF 50V 5%
C514	2113944A52	CAP CER CHP 1000.0 PF 50V 5%
C515	2113944A21	CAP CER CHP 6.8PF 50V +/- 0.5PF
C516	2113944A11	CAP CER CHP 2.7PF 50V +/- 0.25PF
C517	2113946B04	CAP CER CHP 0.10UF 10V 10%
C518	2113945A09	CAP CER CHP 1000PF 50V 10%
C519	2113944A28	CAP CER CHP 18.0PF 50V 5%
C520	2113945A09	CAP CER CHP 1000PF 50V 10%
C521	2113945A09	CAP CER CHP 1000PF 50V 10%
C522	2113944A27	CAP CER CHP 15.0PF 50V 5%
C523	2113944A48	CAP CER CHP 470.0 PF 50V 5%
C524	2113944A30	CAP CER CHP 27.0PF 50V 5%
C525	2115153H34	CAP, CERAMIC, COG
C527	2115153H10	CAP, CERAMIC, COG
C528	2113944A40	CAP CER CHP 100.0PF 50V 5%
C529	2113944A40	CAP CER CHP 100.0PF 50V 5%
C530	2113944A84	CAP,FXD,43PF,+5%,-5%,50V-DC,0402,COG,-55DEG CMIN,125DEG CMAX,PB
C531	2115153H03	CAP, CERAMIC, COG
C601	2113945B02	CAP CER CHP 10,000PF 25V 10%
C602	2113945B02	CAP CER CHP 10,000PF 25V 10%
C603	2113945B02	CAP CER CHP 10,000PF 25V 10%
C604	2113945B02	CAP CER CHP 10,000PF 25V 10%
C605	2113944A15	CAP CER CHP 3.9PF 50V +/- 0.25PF
C606	2113946B04	CAP CER CHP 0.10UF 10V 10%
C607	2113944A40	CAP CER CHP 100.0PF 50V 5%
C608	2113944A12	CAP CER CHP 3.0PF 50V +/- 0.25PF

Ref. Des.	Part Number	Description
C609	2113944A30	CAP CER CHP 27.0PF 50V 5%
C610	2113944A40	CAP CER CHP 100.0PF 50V 5%
C611	2113944A40	CAP CER CHP 100.0PF 50V 5%
C612	2113945B02	CAP CER CHP 10,000PF 25V 10%
C613	2113944A40	CAP CER CHP 100.0PF 50V 5%
C614	2113945B02	CAP CER CHP 10,000PF 25V 10%
C615	2113944A42	CAP CER CHP 150.0PF 50V 5%
C616	2113945A11	CAP CER CHP 2200PF 50V 10%
C617	2113946B04	CAP CER CHP 0.10UF 10V 10%
C618	2113944A31	CAP CER CHP 33.0PF 50V 5%
C619	2113944A35	CAP CER CHP 62.0PF 50V 5%
C620	2113946B04	CAP CER CHP 0.10UF 10V 10%
C621	2113946B04	CAP CER CHP 0.10UF 10V 10%
C622	2113946C07	CAP,FXD,.33UF,+10%,-10%, 10V-DC,0603,X5R,-55DEG CMIN,85DEG CMAX
C623	2113945B02	CAP CER CHP 10,000PF 25V 10%
C624	2113946C07	CAP,FXD,.33UF,+10%,-10%, 10V-DC,0603,X5R,-55DEG CMIN,85DEG CMAX
C625	2113944A28	CAP CER CHP 18.0PF 50V 5%
C626	2113945A09	CAP CER CHP 1000PF 50V 10%
C627	2113945A09	CAP CER CHP 1000PF 50V 10%
C628	2113945B02	CAP CER CHP 10,000PF 25V 10%
C629	2113946B04	CAP CER CHP 0.10UF 10V 10%
C630	2113946B04	CAP CER CHP 0.10UF 10V 10%
C631	2113944A27	CAP CER CHP 15.0PF 50V 5%
C632	2113944A40	CAP CER CHP 100.0PF 50V 5%
C633	2113945B02	CAP CER CHP 10,000PF 25V 10%
C634	2113946B04	CAP CER CHP 0.10UF 10V 10%
C635	2113945B02	CAP CER CHP 10,000PF 25V 10%
C636	2113946B04	CAP CER CHP 0.10UF 10V 10%
C637	2113946B04	CAP CER CHP 0.10UF 10V 10%
C638	2113945A12	CAP CER CHP 3300PF 50V 10%
C639	2113945B02	CAP CER CHP 10,000PF 25V 10%

Ref. Des.	Part Number	Description
C640	2113946B04	CAP CER CHP 0.10UF 10V 10%
C641	2113944A31	CAP CER CHP 33.0PF 50V 5%
C642	2113944A48	CAP CER CHP 470.0 PF 50V 5%
C643	2113944A48	CAP CER CHP 470.0 PF 50V 5%
C701	2113944A44	CAP CER CHP 220.0 PF 50V 5%
C702	2113944A44	CAP CER CHP 220.0 PF 50V 5%
C704	2113944A35	CAP CER CHP 62.0PF 50V 5%
C705	2113944A44	CAP CER CHP 220.0 PF 50V 5%
C709	2113944A44	CAP CER CHP 220.0 PF 50V 5%
C710	2113944A49	CAP CER CHP 560.0 PF 50V 5%
C711	2113944A34	CAP CER CHP 56.0PF 50V 5%
C712	NOT PLACED	-
C715	2113945C31	CAP,FXD,.1UF,+10%,-10%,50V-DC,0603,X7R,-55DEG CMIN,125DEG CMAX
C716	2113945C31	CAP,FXD,.1UF,+10%,-10%,50V-DC,0603,X7R,-55DEG CMIN,125DEG CMAX
C717	2113945C31	CAP,FXD,.1UF,+10%,-10%,50V-DC,0603,X7R,-55DEG CMIN,125DEG CMAX
C718	2113945C31	CAP,FXD,.1UF,+10%,-10%,50V-DC,0603,X7R,-55DEG CMIN,125DEG CMAX
C719	2113945C31	CAP,FXD,.1UF,+10%,-10%,50V-DC,0603,X7R,-55DEG CMIN,125DEG CMAX
C724	2113955D37	CAP,FXD,10UF,+10%,-10%,16V-DC,1206,X7R,-55DEG CMIN,125DEG CMAX
C725	2113945C31	CAP,FXD,.1UF,+10%,-10%,50V-DC,0603,X7R,-55DEG CMIN,125DEG CMAX
C726	2113945C31	CAP,FXD,.1UF,+10%,-10%,50V-DC,0603,X7R,-55DEG CMIN,125DEG CMAX
C730	2113945C31	CAP,FXD,.1UF,+10%,-10%,50V-DC,0603,X7R,-55DEG CMIN,125DEG CMAX
C731	2113945C31	CAP,FXD,.1UF,+10%,-10%,50V-DC,0603,X7R,-55DEG CMIN,125DEG CMAX
C732	2113944A32	CAP CER CHP 39.0PF 50V 5%
C734	2113945C31	CAP,FXD,.1UF,+10%,-10%,50V-DC,0603,X7R,-55DEG CMIN,125DEG CMAX

Ref. Des.	Part Number	Description
C736	2113945B02	CAP CER CHP 10,000PF 25V 10%
C737	2113945C31	CAP,FXD,.1UF,+10%,-10%,50V-DC,0603,X7R,-55DEG CMIN,125DEG CMAX
C739	2113944A17	CAP CER CHP 4.7PF 50V +/-0.25PF
C742	2113945C31	CAP,FXD,.1UF,+10%,-10%,50V-DC,0603,X7R,-55DEG CMIN,125DEG CMAX
C744	2113955D37	CAP,FXD,10UF,+10%,-10%,16V-DC,1206,X7R,-55DEG CMIN,125DEG CMAX
C747	2113944A44	CAP CER CHP 220.0 PF 50V 5%
C748	2113944A44	CAP CER CHP 220.0 PF 50V 5%
C749	2113945C31	CAP,FXD,.1UF,+10%,-10%,50V-DC,0603,X7R,-55DEG CMIN,125DEG CMAX
C750	2113945C31	CAP,FXD,.1UF,+10%,-10%,50V-DC,0603,X7R,-55DEG CMIN,125DEG CMAX
C752	2113944A43	CAP CER CHP 180.0PF 50V 5%
C754	NOT PLACED	-
C756	2113955D37	CAP,FXD,10UF,+10%,-10%,16V-DC,1206,X7R,-55DEG CMIN,125DEG CMAX
C757	2113945C31	CAP,FXD,.1UF,+10%,-10%,50V-DC,0603,X7R,-55DEG CMIN,125DEG CMAX
C758	2113946B02	CAP CER CHP 0.047UF 10V 10,
C759	2113945G95	CAP,FXD,.22UF,+10%,-10%, 50V-DC,0805,X7R,-55DEG CMIN,125DEG CMAX
C760	2113944G97	CAP,FXD,.082UF,+5%,-5%,50V-DC,1206,C0G,-55DEG CMIN,125DEG CMAX
C762	2113945C26	CAP,FXD,.039UF,+10%,-10%,50V-DC,0603,X7R,-55DEG CMIN,125DEG CMA
C763	2113944G97	CAP,FXD,.082UF,+5%,-5%,50V-DC,1206,C0G,-55DEG CMIN,125DEG CMAX
C765	2113944G97	CAP,FXD,.082UF,+5%,-5%,50V-DC,1206,C0G,-55DEG CMIN,125DEG CMAX
C766	2113945C01	CAP CER CHP 6800PF 50V 10%

Ref. Des.	Part Number	Description
C768	2113944G97	CAP,FXD,.082UF,+5%,-5%,50V-DC,1206,C0G,-55DEG CMIN,125DEG CMAX
C769	2113945C20	CAP,FXD,.016UF,+10%,-10%,50V-DC,0603,X7R,-55DEG CMIN,125DEG CMA
C770	2113944G97	CAP,FXD,.082UF,+5%,-5%,50V-DC,1206,C0G,-55DEG CMIN,125DEG CMAX
C771	2113944A40	CAP CER CHP 100.0PF 50V 5%
C775	2113945A09	CAP CER CHP 1000PF 50V 10%
C777	2113944A31	CAP CER CHP 33.0PF 50V 5%
C779	2113944A40	CAP CER CHP 100.0PF 50V 5%
C783	2113944C53	CAP CER CHP 1500.OPF 50V 5
C789	2113946B04	CAP CER CHP 0.10UF 10V 10%
C790	2113946B04	CAP CER CHP 0.10UF 10V 10%
C791	2113946B04	CAP CER CHP 0.10UF 10V 10%
C792	2113946B04	CAP CER CHP 0.10UF 10V 10%
C793	2113944A40	CAP CER CHP 100.0PF 50V 5%
C794	NOT PLACED	-
C795	NOT PLACED	-
C796	2113944A40	CAP CER CHP 100.0PF 50V 5%
C797	2113944A40	CAP CER CHP 100.0PF 50V 5%
C798	NOT PLACED	-
C799	NOT PLACED	-
C800	NOT PLACED	-
C801	NOT PLACED	-
C802	2113946B06	CAP,CHIP,.22UF,+10%,-10%,10V-DC,0402,X5R,-55DEG CMIN,85DEG CMAX
C803	NOT PLACED	-
C804	2113944A40	CAP CER CHP 100.0PF 50V 5%
C805	NOT PLACED	-
C806	2113946B06	CAP,CHIP,.22UF,+10%,-10%, 10V-DC,0402,X5R,-55DEG CMIN,85DEG CMAX
C810	2113944A44	CAP CER CHP 220.0 PF 50V 5%
C813	2113944A63	CAP,FXD,1PF,.25PF+/-,50V-DC,0402,C0G,-55DEG CMIN,125DEG CMAX,P
C814	2113945A09	CAP CER CHP 1000PF 50V 10%
C816	2113944A31	CAP CER CHP 33.0PF 50V 5%

Ref. Des.	Part Number	Description
C820	2113944A44	CAP CER CHP 220.0 PF 50V 5%
C830	2113944A44	CAP CER CHP 220.0 PF 50V 5%
C831	2113944A40	CAP CER CHP 100.0PF 50V 5%
C836	2113944A33	CAP CER CHP 47.0PF 50V 5%
C838	2113945A09	CAP CER CHP 1000PF 50V 10%
C844	2113944A33	CAP CER CHP 47.0PF 50V 5%
C851	2113944A44	CAP CER CHP 220.0 PF 50V 5%
C1101	2113945B02	CAP CER CHP 10,000PF 25V 10%
C1102	2188468Y01	CAP CER 25V X7R 0805 1UF
C1103	2113945B02	CAP CER CHP 10,000PF 25V 10%
C1104	NOT PLACED	-
C1105	2113944A19	CAP CER CHP 5.6PF 50V +/- 0.5PF
C1106	2113945B02	CAP CER CHP 10,000PF 25V 10%
C1107	2113944A40	CAP CER CHP 100.0PF 50V 5%
C1108	2113946B03	CAP CER CHP 0.068UF 10V 10
C1109	2113944A40	CAP CER CHP 100.0PF 50V 5%
C1110	2113944A40	CAP CER CHP 100.0PF 50V 5%
C1111	2113945Y02	CAP,FXD,.1UF,+10%,-10%,16V-DC,0402,X7R,-55DEG CMIN,125DEG CMAX
C1112	2113945B01	CAP CER CHP 6800PF 25V 10%
C1113	2113945B02	CAP CER CHP 10,000PF 25V 10%
C1116	2113945Y02	CAP,FXD,.1UF,+10%,-10%,16V-DC,0402,X7R,-55DEG CMIN,125DEG CMAX
C1117	2113945A12	CAP CER CHP 3300PF 50V 10%
C1118	2113945B02	CAP CER CHP 10,000PF 25V 10%
C1119	2113945B02	CAP CER CHP 10,000PF 25V 10%
C1120	2113945B02	CAP CER CHP 10,000PF 25V 10%
C1122	2175390H01	CAP, 2.2 PF, 0402, CERAMIC, 50V
C1123	2113945B02	CAP CER CHP 10,000PF 25V 10%
C1124	2113945A13	CAP CER CHP 4700PF 50V 10%

Ref. Des.	Part Number	Description
C1125	2113944A19	CAP CER CHP 5.6PF 50V +/- 0.5PF
C1126	2113945A09	CAP CER CHP 1000PF 50V 10%
C1127	2113945Y02	CAP,FXD,.1UF,+10%,-10%,16V-DC,0402,X7R,-55DEG CMIN,125DEG CMAX
C1128	2113945B02	CAP CER CHP 10,000PF 25V 10%
C1129	2113945B02	CAP CER CHP 10,000PF 25V 10%
C1130	2113945B02	CAP CER CHP 10,000PF 25V 10%
C1132	NOT PLACED	-
C1134	2113945B02	CAP CER CHP 10,000PF 25V 10%
C1135	NOT PLACED	-
C1137	2113945B04	CAP,FXD,.022UF,+10%,-10%,25V-DC,0402,X7R,-55DEG CMIN,125DEG CMA
C1138	2113945B04	CAP,FXD,.022UF,+10%,-10%,25V-DC,0402,X7R,-55DEG CMIN,125DEG CMA
C1139	2113944A25	CAP CER CHP 10.0PF 50V +/-0.5PF
C1140	2113945A13	CAP CER CHP 4700PF 50V 10%
C1141	2113945Y02	CAP,FXD,.1UF,+10%,-10%,16V-DC,0402,X7R,-55DEG CMIN,125DEG CMAX
C1142	2113945A09	CAP CER CHP 1000PF 50V 10%
C1149	2113944A40	CAP CER CHP 100.0PF 50V 5%
C1150	2175392H01	CAP, 1.2PF, 0402, CERAMIC, 50V
C1301	2113944M20	CAP,FXD,12PF,+2%,-2%,50V-DC,0603,C0G,-55DEG CMIN,125DEG CMAX,PB
C1302	2188881Y12	CAPACITOR CERAMIC NPO HIGH FREQUENCY 16 VOLT (REPLACES 2104801Z12)
C1303	2113944A26	CAP CER CHP 12.0PF 50V 5%
C1304	2113945A09	CAP CER CHP 1000PF 50V 10%
C1305	2113944A30	CAP CER CHP 27.0PF 50V 5%
C1306	2113945B02	CAP CER CHP 10,000PF 25V 10%
C1307	2113944A26	CAP CER CHP 12.0PF 50V 5%
C1308	2113944A28	CAP CER CHP 18.0PF 50V 5%

Ref. Des.	Part Number	Description	Ref. Des.	Part Number	Description	Ref. Des.	Part Number	Description	Ref. Des.	Part Number	Description
L1604	2414017H07	IDCTR,CHIP,3.9NH,300MA, .14OHM,CER,10 Q,3.4GHZ SRF, SM,0603,P	L1938	NOT PLACED	-	Q501	4813973M75	XSTR,BIP GP SS,PNP,BC858, SOT-563,SMT,-30V,.357W, -100MA,100MHZ	R201	0613952R25	CER CHIP RES 100K OHM 5% 0402
L1605	2414017H07	IDCTR,CHIP,3.9NH,300MA, .14OHM,CER,10 Q,3.4GHZ SRF, SM,0603,P	L2008	2478057A09	5.6 NH SURFACE MOUNT INDUCTOR	Q503	4885316E32	TRANSISTOR, RF	R202	0613952Q89	CER CHIP RES 4700 OHM 5 0402
L1606	2460591E24	COIL AIR WOUND INDUC 23.75	L2009	2478057A23	18 NH SURFACE MOUNT INDUCTOR	Q601	4813973A04	XSTR,BIP GP SS,NPN,TA13, SM, SOT-23,SMT,30V,.225W, 300MA, 125MHZ,P	R501	NOT PLACED	-
L1609	2415428H02	AIR WOUND INDUCTOR	L2010	2478057A23	18 NH SURFACE MOUNT INDUCTOR	Q703	4813973M75	XSTR,BIP GP SS,PNP,BC858, SOT-563,SMT,-30V,.357W, -100MA,100MHZ	R502	0613952Q45	CER CHIP RES 68.0 OHM 5 0402
L1610	2415385H01	8 NH MINISPRING AIR CORE INDUCTOR	L2012	2478057A09	5.6 NH SURFACE MOUNT INDUCTOR	Q712	4813973M75	XSTR,BIP GP SS,PNP,BC858, SOT-563,SMT,-30V,.357W, -100MA,100MHZ	R503	0613952R10	CER CHIP RES 24K OHM 5 0402
L1700	2471902Y05	IDCTR,AW,12.1NH,5%,4.4A, .007OHM,4.3GHZ SRF,SM,PB- FREE	L2013	2478057A23	18 NH SURFACE MOUNT INDUCTOR	Q713	4805585Q32	TRANSITOR, NPN RF	R504	0613952Q85	CER CHIP RES 3300 OHM 5 0402
L1701	2471902Y05	IDCTR,AW,12.1NH,5%,4.4A, .007OHM,4.3GHZ SRF,SM,PB- FREE	L2014	2478057A23	18 NH SURFACE MOUNT INDUCTOR	Q714	4889394V04	XSTR,FET GEN PURPOSE SMALL SIG,MOSFET,N-CH, ENHN,SM,20V,.25W,P	R505	0613952R31	CER CHIP RES 180K OHM 5% 0402
L1702	2471902Y05	IDCTR,AW,12.1NH,5%,4.4A, .007OHM,4.3GHZ SRF,SM,PB- FREE	L2015	2478057A41	0306 HIGH Q CHIP INDUCTOR	Q774	4885061Y01	XSTR NPN 6V 30UA 12GHZ PB- FREE	R506	0613952Q53	CER CHIP RES 150 OHM 5 0402
L1803	2471884M01	10.2NH SQUARE SPRING	L2016	2414017P15	IDCTR,CHIP,15NH,5%,300MA, .65OHM,CER,9 Q,1.95GHZ SRF,SM,0402	Q842	4805585Q32	TRANSITOR, NPN RF	R507	0613952Q83	CER CHIP RES 2700 OHM 5 0402
L1809	2471884M01	10.2NH SQUARE SPRING	L2017	2478057A40	0306 HIGH Q CHIP INDUCTOR	Q1101	4813973A32	XSTR,BIP GP SS,NPN,SM,SC- 70,SMT,50V,.202W,100MA,PB- FREE	R508	0613952Q41	CER CHIP RES 47.0 OHM 5 0402
L1811	2471884M01	10.2NH SQUARE SPRING	L2019	2414017P15	IDCTR,CHIP,15NH,5%,300MA, .65OHM,CER,9 Q,1.95GHZ SRF,SM,0402	Q1102	4813973A32	XSTR,BIP GP SS,NPN,SM,SC- 70,SMT,50V,.202W,100MA,PB- FREE	R509	0613952Q25	CER CHIP RES 10.0 OHM 5 0402
L1908	2478057A06	4.3 NH SURFACE MOUNT INDUCTOR	L2034	2478057A29	0306 HIGH Q CHIP INDUCTOR	Q1103	4813970A59	P-CH FET 1.0A 20V SOT-23 T&R	R511	0613952Q13	CER CHIP RES 3.3 OHM 5 0402
L1909	2478057A23	18 NH SURFACE MOUNT INDUCTOR	L2035	2478057A24	22 NH SURFACE MOUNT INDUCTOR	Q1104	4813970A59	P-CH FET 1.0A 20V SOT-23 T&R	R512	NOT PLACED	-
L1910	2478057A23	18 NH SURFACE MOUNT INDUCTOR	L2036	2415429H01	CHIP INDUCTOR	Q1500	5185633C92	MODULE,RING,XSTR, FET RF POWER, UHF	R597	0613952R66	CER CHIP RES 0.0 +/-0.050 OHM
L1912	2478057A05	3.9 NH SURFACE MOUNT INDUCTOR	M1	3275623B02	PAD, THERMAL ELECTRIC	Q1601	5185633C92	MODULE,RING,XSTR, FET RF POWER, UHF	R601	0613952Q41	CER CHIP RES 47.0 OHM 5 0402
L1913	2478057A23	18 NH SURFACE MOUNT INDUCTOR	M2	75009299001	PAD, THERMAL	Q1920	4813973A32	XSTR,BIP GP SS,NPN,SM,SC-70, SMT,50V,.202W,100MA,PB-FREE	R602	0613952Q63	CER CHIP RES 390 OHM 5 0402
L1914	2478057A23	18 NH SURFACE MOUNT INDUCTOR	M3	1104959T01	COATING-CONTACT	Q1922	4813973M75	XSTR,BIP GP SS,PNP,BC858, SOT-563,SMT,-30V,.357W, -100MA,100MHZ	R603	0613952R25	CER CHIP RES 100K OHM 5% 0402
L1915	2478057A35	0306 HIGH Q CHIP INDUCTOR	M101	2871616H01	CONNECTOR, BPLUS	Q2020	4813973A32	XSTR,BIP GP SS,NPN,SM,SC-70, SMT,50V,.202W,100MA,PB-FREE	R604	0613952Q63	CER CHIP RES 390 OHM 5 0402
L1916	2414017P14	IDCTR,CHIP,12NH,5%,300MA, .6OHM,CER,9 Q,2GHZ SRF,SM, 0402,PB-F	M103	3987977Y04	CONT,CONN,1CONT,ANT UNIV 4.5MM,UC 1.8	Q2022	4813973M75	XSTR,BIP GP SS,PNP,BC858, SOT-563,SMT,-30V,.357W, -100MA,100MHZ	R605	0613952R01	CER CHIP RES 10K OHM 5% 0402
L1917	2478057A36	0306 HIGH Q CHIP INDUCTOR	M104	NOT PLACED	-	R101	0613952R01	CER CHIP RES 10K OHM 5% 0402	R606	0613952R01	CER CHIP RES 10K OHM 5% 0402
L1919	2414017P14	IDCTR,CHIP,12NH,5%,300MA, .6OHM,CER,9 Q,2GHZ SRF,SM, 0402,PB-F	M105	3987977Y04	CONT,CONN,1CONT,ANT UNIV 4.5MM,UC 1.8	R103	0613952R01	CER CHIP RES 10K OHM 5% 0402	R607	0613952R25	CER CHIP RES 100K OHM 5% 0402
L1934	2478057A38	0306 HIGH Q CHIP INDUCTOR	M106	NOT PLACED	-				R608	0613952R01	CER CHIP RES 10K OHM 5% 0402
L1935	2478057A26	24 NH SURFACE MOUNT INDUCTOR	P101	2887818K05	PLUG 40PIN MATING CNTCR 1.5MM				R609	0613952Q81	CER CHIP RES 2200 OHM 5 0402
L1936	2415429H01	CHIP INDUCTOR	PASTE	1085674C03	PASTE/NC-SMQ230				R610	0613952R25	CER CHIP RES 100K OHM 5% 0402
			PCB	84012328001	DUAL BAND PORTABLE RADIO				R611	0613952R01	CER CHIP RES 10K OHM 5% 0402
			Q201	4813970A59	P-CH FET 1.0A 20V SOT-23 T&R				R612	0613952Q94	CER CHIP RES 7500 OHM 5 0402
			Q202	4813973A32	XSTR,BIP GP SS,NPN,SM,SC-70, SMT,50V,.202W,100MA,PB-FREE				R613	0613952Q82	CER CHIP RES 2400 OHM 5 0402
									R614	0613952R66	CER CHIP RES 0.0 +/-0.050 OHM
									R615	NOT PLACED	-
									R616	NOT PLACED	-
									R617	NOT PLACED	-
									R618	NOT PLACED	-
									R619	NOT PLACED	-

Ref. Des.	Part Number	Description	Ref. Des.	Part Number	Description	Ref. Des.	Part Number	Description	Ref. Des.	Part Number	Description
R1504	0613952R13	CER CHIP RES 33K OHM 5% 0402	R2021	0613952R22	CER CHIP RES 75K OHM 5 0402	U602	4885316E32	TRANSISTOR, RF	U1118	5188085K11	IC, SINGLE NAND GATE, 2-INPUT, POSITIVE, 5 DSBGA, PB-FREE
R1505	0613952R01	CER CHIP RES 10K OHM 5% 0402	R2022	0613952R27	CER CHIP RES 120K OHM 5% 0402	U603	5109522E84	IC DUAL SCHMITT TRIG MICRO PAK	U1119	5186311J53	IC, AND, DUAL 2-INPUT AND GATE, NC7WZ08, 2PER PKG, SM, MSOP
R1506	0613952R04	CER CHIP RES 13K OHM 5 0402	R2023	0613952R01	CER CHIP RES 10K OHM 5% 0402	U604	5109522E84	IC DUAL SCHMITT TRIG MICRO PAK	U1121	5114000B52	IC, XOR, LOGIC LEVEL SHIFTER, 1PER PKG, SM, SOT-353, PB-FREE
R1601	0613952Q96	CER CHIP RES 9100 OHM 5 0402	R2024	0613952Q37	CER CHIP RES 33.0 OHM 5 0402	U605	5164852H16	IC TRANSCEIVER W/LEVEL TRANSLATION	U1122	5180428L15	SW, RF SWITCH, SPDT, SMT, 6W, 3V
R1602	0613952R01	CER CHIP RES 10K OHM 5% 0402	R2025	0613952Q11	CER CHIP RES 2.7 OHM 5 0402	U606	5164852H16	IC TRANSCEIVER W/LEVEL TRANSLATION	U1123	5188085K11	IC, SINGLE NAND GATE, 2-INPUT, POSITIVE, 5 DSBGA, PB-FREE
R1603	0613952R02	CER CHIP RES 11K OHM 5 0402	R2035	0613952Q75	CER CHIP RES 1200 OHM 5 0402	U607	5186311J24	IC, BFR, 1BITS, NC7SZ125, ACTIVE HIGH, B	U1125	5175206H01	QUAD 12-BIT DAC IC
R1604	0613952R13	CER CHIP RES 33K OHM 5% 0402	SH1	2675871B01	SHIELD, FGU	U702	5164015H28	IC, TRIDENT, INTEG SYNTH, RX/TX BSBND	U1126	5109817F77	IC COMPTR LM7275 5SC70 (D54)
R1605	0613952Q73	CER CHIP RES 1000 OHM 5 0402	SH2	2675872B01	SHIELD, XTAL	U703	5175772B06	28-PORT I/O EXPANDER	U1127	5171779H01	SPDT ANALOG SWITCH
R1606	NOT PLACED	-	SH3	2675873B01	SHIELD, ABACUS	U708	5171972L01	SP3T RF SWITCH	U1128	5188085K11	IC, SINGLE NAND GATE, 2-INPUT, POSITIVE, 5 DSBGA, PB-FREE
R1801	0685524Y01	RES, ZERO OHM, 0805	SH4	2675878B01	SHIELD, FRONT END	U709	5171972L01	SP3T RF SWITCH	U1129	5175143H01	WIDE SUPPLY RANGE OP AMP
R1906	0613952R01	CER CHIP RES 10K OHM 5% 0402	SH5	2675879B01	SHIELD, DRIVER PA	U710	5171972L01	SP3T RF SWITCH	U1130	5175143H01	WIDE SUPPLY RANGE OP AMP
R1907	0613952R01	CER CHIP RES 10K OHM 5% 0402	SH6	2675876B01	SHIELD, VCO	U711	5171972L01	SP3T RF SWITCH	U1131	5109817F77	IC COMPTR LM7275 5SC70 (D54)
R1908	0613952R01	CER CHIP RES 10K OHM 5% 0402	SH7	2675874B01	SHIELD, MIXER	U746	4805218N63	RF TRANS SOT 323 BFQ67W	U1132	5114007M28	IC, F-F/D, 1PER PKG, 17SZ74, N-I, SM, SOIC8, PB-FREE
R1909	0613952R01	CER CHIP RES 10K OHM 5% 0402	SH8	2675932B01	SHIELD, 2ND LO VCO	U1101	5188032U43	IC, SENSING CIRCUIT, INA138, SM, SOT-23/5, 1PER PKG	U1133	5171779H01	SPDT ANALOG SWITCH
R1910	0613952Q73	CER CHIP RES 1000 OHM 5 0402	SH9	2675934B01	SHIELD, DC	U1102	5175772B03	RECONFIGURABLE 10W SP5T/3T RF SWITC	U1136	5109522E94	2 INPUT AND GATE IN NANO PACKAGE (C87)
R1911	0613952Q73	CER CHIP RES 1000 OHM 5 0402	SH10	2675859B01	SHIELD, OUTPUT MATCH	U1103	5185070Y01	IC TEMPERATURE SENSOR PB-FREE	U1137	5164852H16	IC TRANSCEIVER W/LEVEL TRANSLATION
R1921	0613952R22	CER CHIP RES 75K OHM 5 0402	SH11	2675877B01	SHIELD, ALC	U1104	5185941F56	IC SINGLE LV LP OP AMPLIFIER	U1138	5164852H16	IC TRANSCEIVER W/LEVEL TRANSLATION
R1922	0613952R27	CER CHIP RES 120K OHM 5% 0402	SH12	2675933B01	SHIELD, IF AMP	U1105	5180390L83	IC, CNTLR, SM, 1PER PKG	U1139	5164852H16	IC TRANSCEIVER W/LEVEL TRANSLATION
R1923	0613952R01	CER CHIP RES 10K OHM 5% 0402	SH13	2675870B01	SHIELD, HARMONIC FILTER	U1106	5175772B05	PRECISION RF DETECTOR	U1140	5171779H01	SPDT ANALOG SWITCH
R1924	0613952Q37	CER CHIP RES 33.0 OHM 5 0402	SH14	2671905H01	SHIELD, REGULATOR	U1109	5114007M32	IC, OR, 2PER PKG, SM, US8, PB-FREE	U1141	5185941F56	IC SINGLE LV LP OP AMPLIFIER
R1925	0613952Q11	CER CHIP RES 2.7 OHM 5 0402	T503	2575851B01	RF TRANSFORMER BALUN	U1110	5180428L15	SW, RF SWITCH, SPDT, SMT, 6W, 3V	U1142	5185941F56	IC SINGLE LV LP OP AMPLIFIER
R1935	0613952Q75	CER CHIP RES 1200 OHM 5 0402	T504	2575851B01	RF TRANSFORMER BALUN	U1111	5175771A26	CMOS FET SWITCH SPDT, 10WATTS	U1143	5185941F56	IC SINGLE LV LP OP AMPLIFIER
R1936	0613952R66	CER CHIP RES 0.0 +/-0.050 OHM	T505	2575851B01	RF TRANSFORMER BALUN	U1112	5175772B04	1 DB LSB GAAS MMIC ATTENUATOR	U1144	5171779H01	SPDT ANALOG SWITCH
R2006	0613952R01	CER CHIP RES 10K OHM 5% 0402	U101	5105443X07	EEPROM 32KBIT SERIAL SPI BUS	U1113	5185941F56	IC SINGLE LV LP OP AMPLIFIER	U1145	5171779H01	SPDT ANALOG SWITCH
R2007	0613952R01	CER CHIP RES 10K OHM 5% 0402	U200	5188493T01	IC, VREG/SWG, LP2989, SM, MINI SO-8 HI PRCN REG 5V	U1114	5185941F56	IC SINGLE LV LP OP AMPLIFIER	U1146	5109522E93	2 INPUT OR GATE IN NANO PACKAGE (C87)
R2008	0613952R01	CER CHIP RES 10K OHM 5% 0402	U201	5175771A99	LOW NOISE, 100MA LINEAR REGULATOR	U1116	5109522E93	2 INPUT OR GATE IN NANO PACKAGE (C87)			
R2009	0613952R01	CER CHIP RES 10K OHM 5% 0402	U202	5175772B02	LINEAR REGULATOR 100MA 1.8V	U1117	5103535B53	IC, INVTR, DL, NC7WZ04L6X, 2PER PKG, SC70			
R2010	0613952Q73	CER CHIP RES 1000 OHM 5 0402	U203	5175772B01	LINEAR VOLTAGE REGULATOR 350MA						
R2011	0613952Q73	CER CHIP RES 1000 OHM 5 0402	U501	5180428L15	SW, RF SWITCH, SPDT, SMT, 6W, 3V						
			U502	5103535B53	IC, INVTR, DL, NC7WZ04L6X, 2PER PKG, SC70						
			U506	5164852H82	IC, MIXER/ BUFFER						
			U601	5102495J14	IC, IF, IF DIGITILIZING SUBSYSTEM IC, AD9864, QFN						

Ref. Des.	Part Number	Description
U1147	5109522E94	2 INPUT AND GATE IN NANO PACKAGE (C87)
U1148	5185941F56	IC SINGLE LV LP OP AMPLIFIER
U1150	5171779H01	SPDT ANALOG SWITCH
U1304	5105739X13	IC, SIGE GPS LOW NOISE AMP 1575 MHZ
U1500	51012101001	VHF/UHF/800/900 MHZ LDMOS DRIVER IC
U1501	5175143H01	WIDE SUPPLY RANGE OP AMP
U1601	5175143H01	WIDE SUPPLY RANGE OP AMP
U1602	51012101001	VHF/UHF/800/900 MHZ LDMOS DRIVER IC
U1932	4885316E32	TRANSISTOR, RF
U2032	4885316E32	TRANSISTOR, RF
VR101	4813977M29	DIODE,VREF,MBZ5250,SM, SOT-23,20V,.225W,ZEN
VR200	4813977M29	DIODE,VREF,MBZ5250,SM, SOT-23,20V,.225W,ZEN
VR601	4805656W87	DIODE,VCTR, @ 15V,1SV279, SOD-523/SC-79
VR602	4805656W87	DIODE,VCTR, @ 15V,1SV279, SOD-523/SC-79
VR1905	4815096H01	VARACTOR DIODE 1SV305
VR1906	4815096H01	VARACTOR DIODE 1SV305
VR1907	4815096H01	VARACTOR DIODE 1SV305
VR1908	4815096H01	VARACTOR DIODE 1SV305
VR1910	4815096H01	VARACTOR DIODE 1SV305
VR1920	4815096H01	VARACTOR DIODE 1SV305
VR2005	4815096H01	VARACTOR DIODE 1SV305
VR2006	4815096H01	VARACTOR DIODE 1SV305
VR2007	4815096H01	VARACTOR DIODE 1SV305
VR2008	4815096H01	VARACTOR DIODE 1SV305
VR2010	4815096H01	VARACTOR DIODE 1SV305
VR2020	4815096H01	VARACTOR DIODE 1SV305
Y701	4871886H01	16.8 MHZ VCTXO .8PPM
Y704	5164852H68	IC, VCO MODULE
Y705	5164852H66	IC, VCO MODULE
Y706	NOT PLACED	-
Y707	NOT PLACED	-

Notes

8.7 Transceiver (RF) Boards: UHF2/ 700–800 MHz

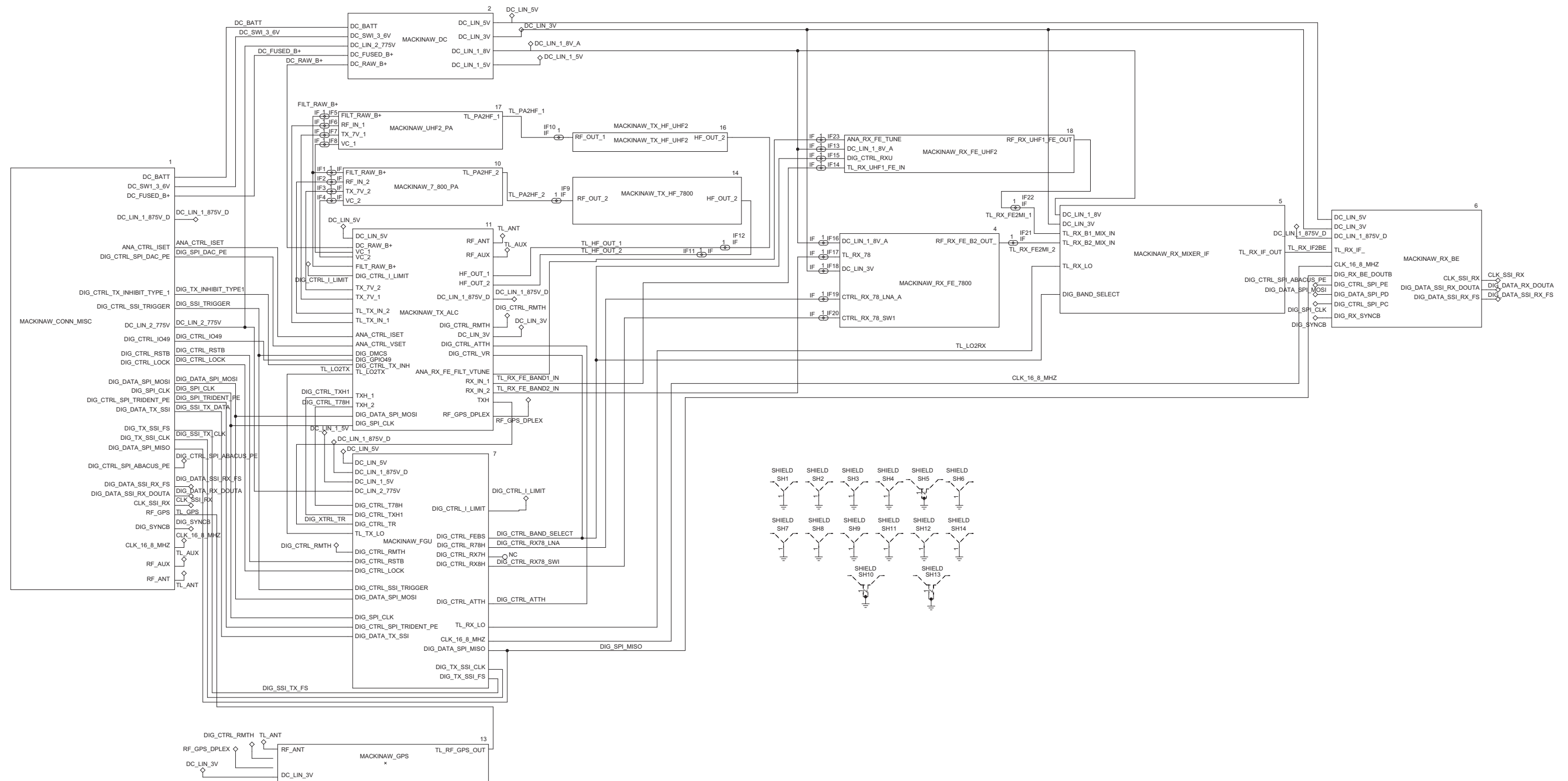


Figure 8-81. MNUS4002A/E Transceiver (RF) Board Overall Circuit Schematic

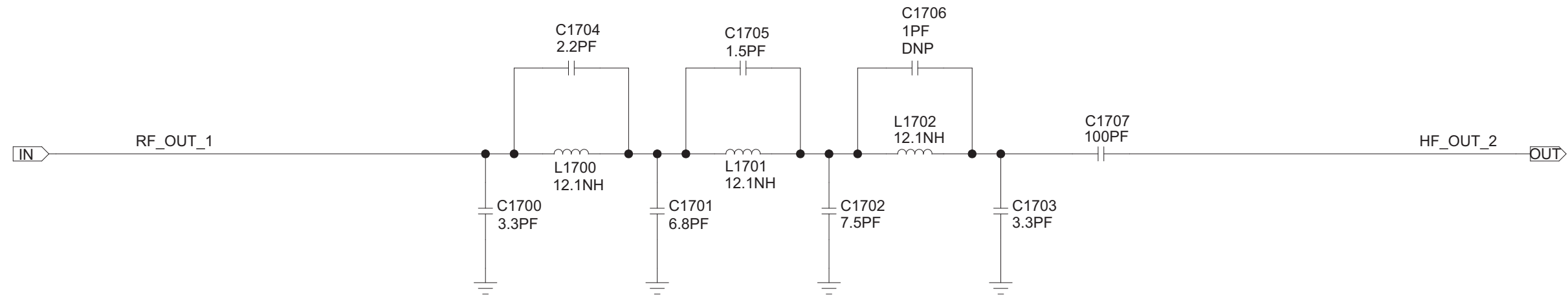


Figure 8-82. MNUS4002A/E UHF2 Harmonic Filter Circuit

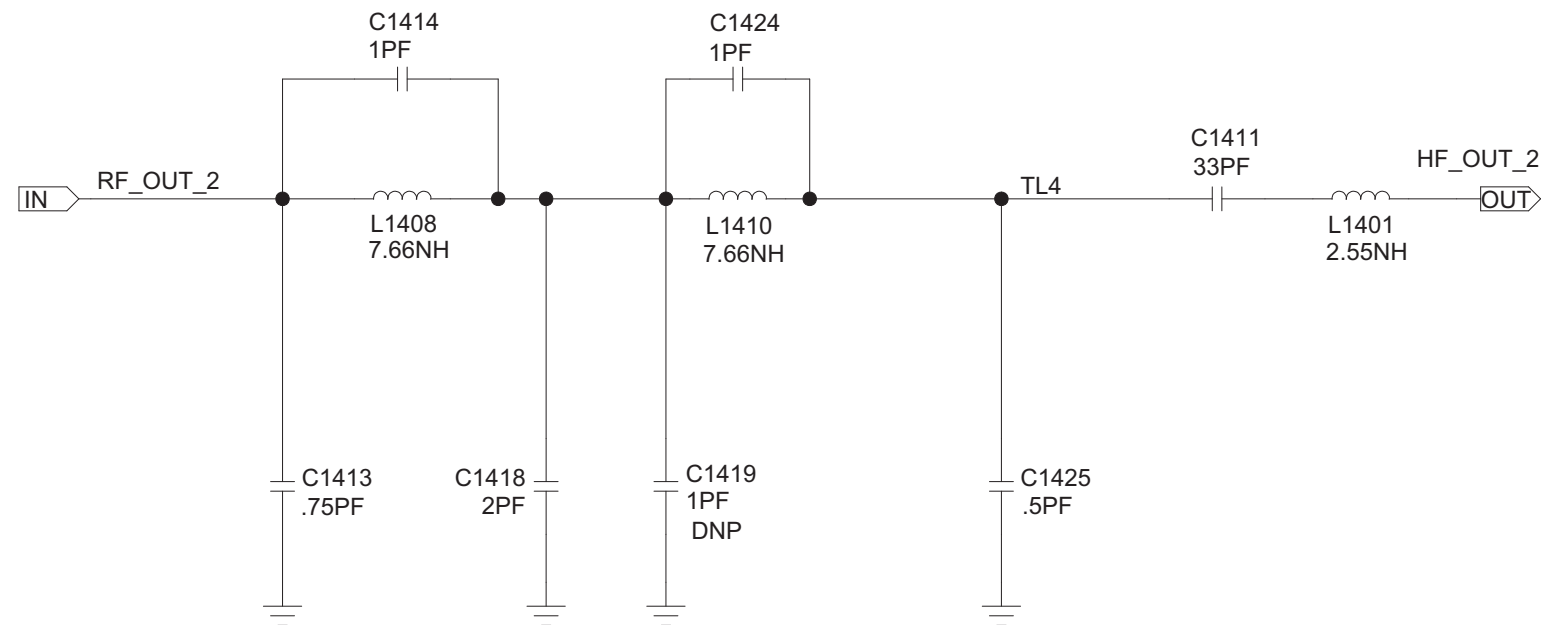


Figure 8-83. MNUS4002A/E 700–800 MHz Harmonic Filter Circuit

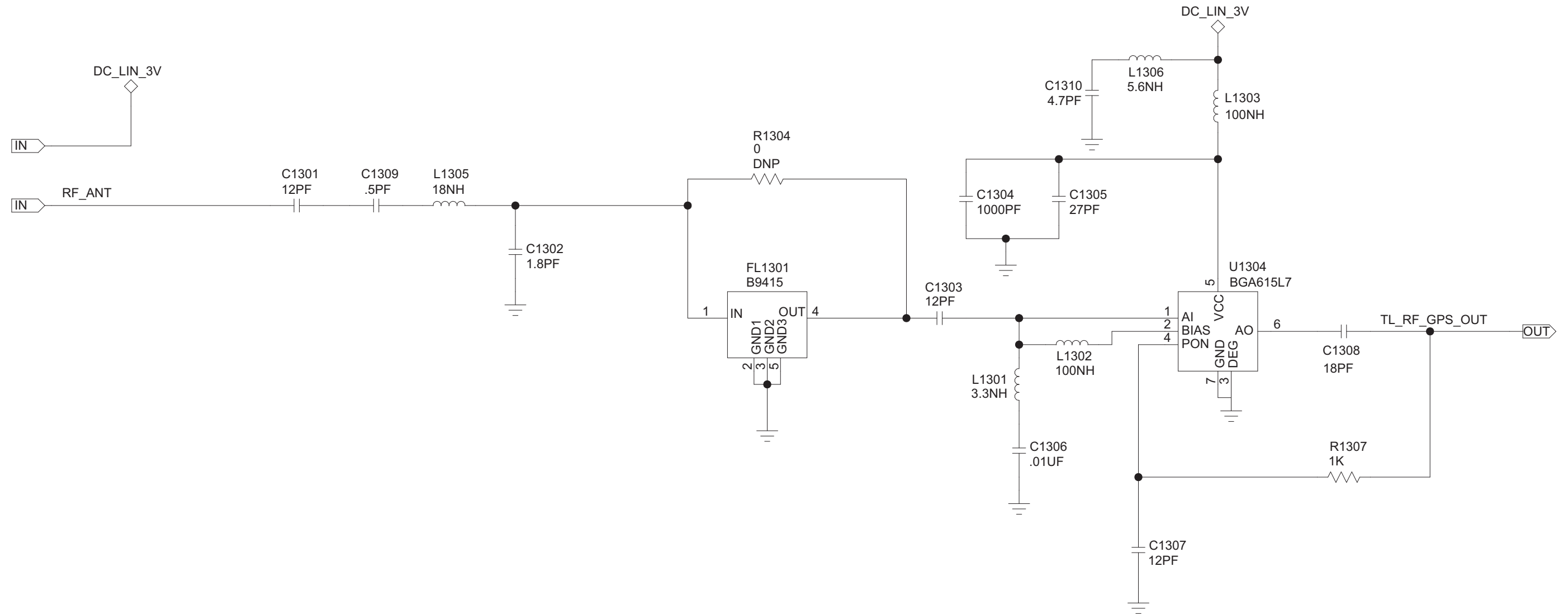


Figure 8-84. MNUS4002A/E GPS Circuit

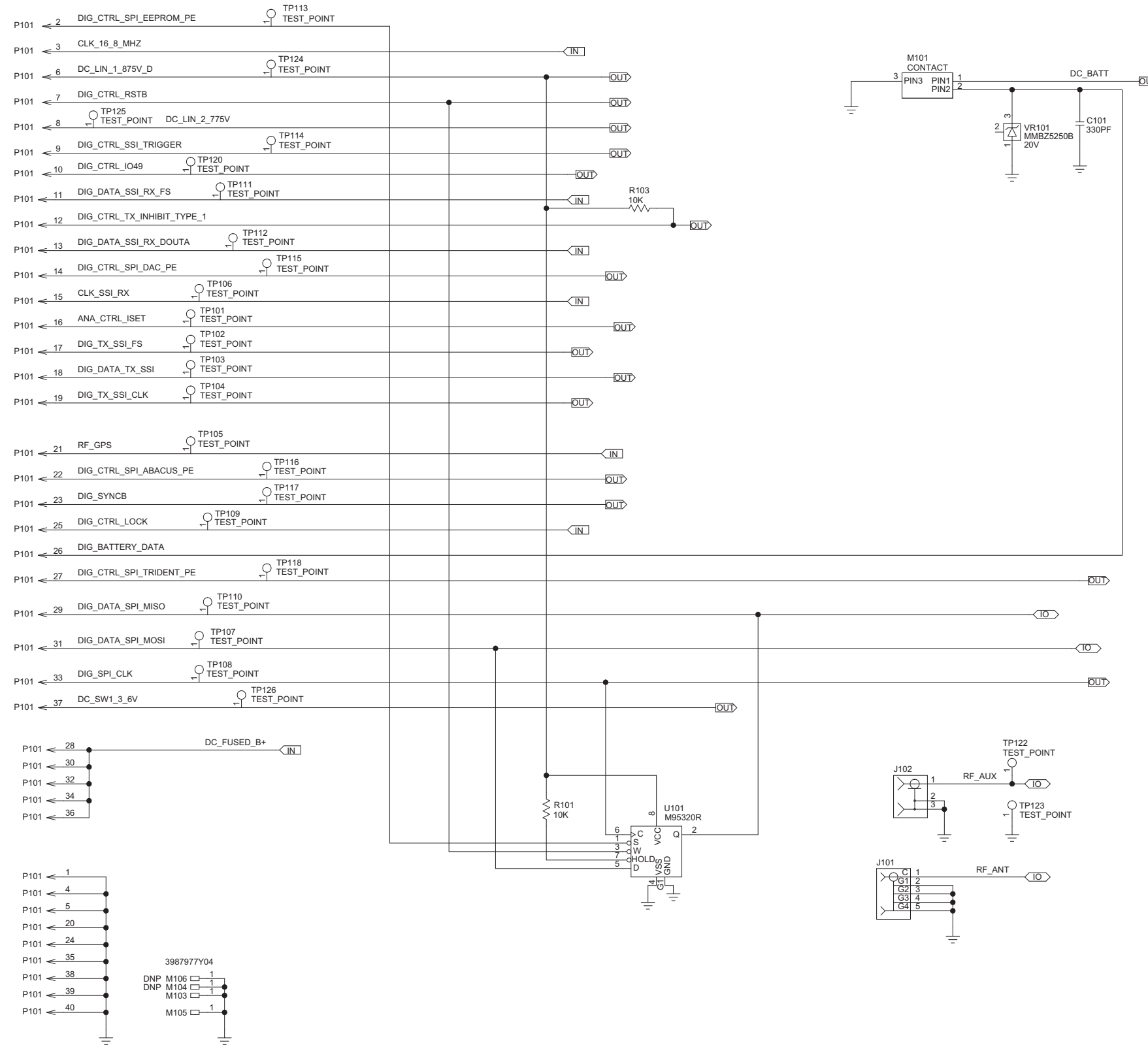


Figure 8-85. MNUS4002A/E Miscellaneous Connector Circuit

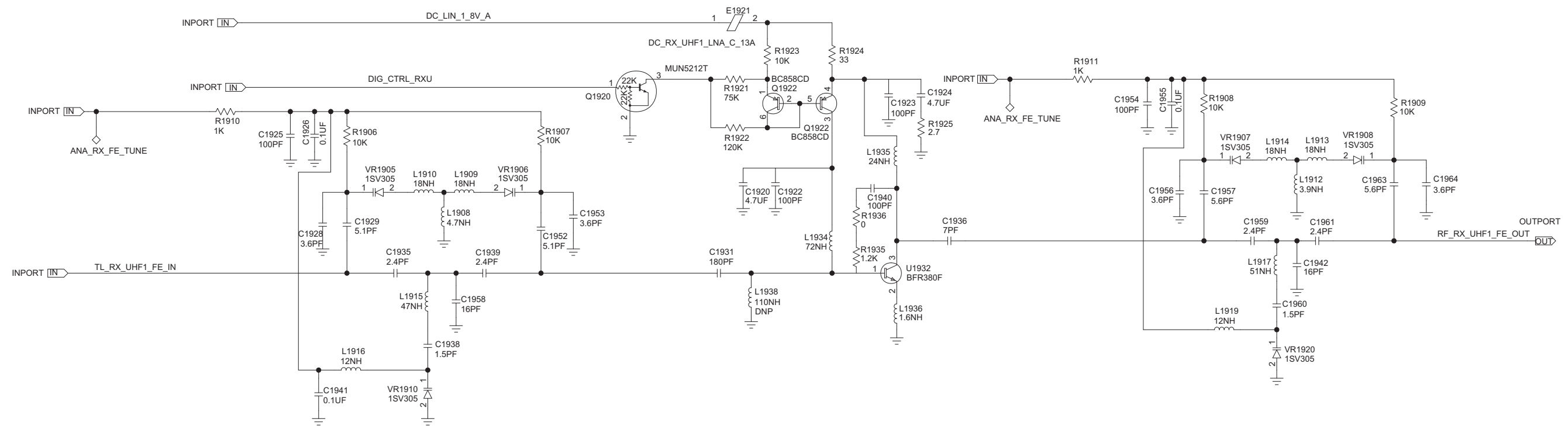


Figure 8-86. MNUS4002A/E UHF2 Receiver Front End Circuit

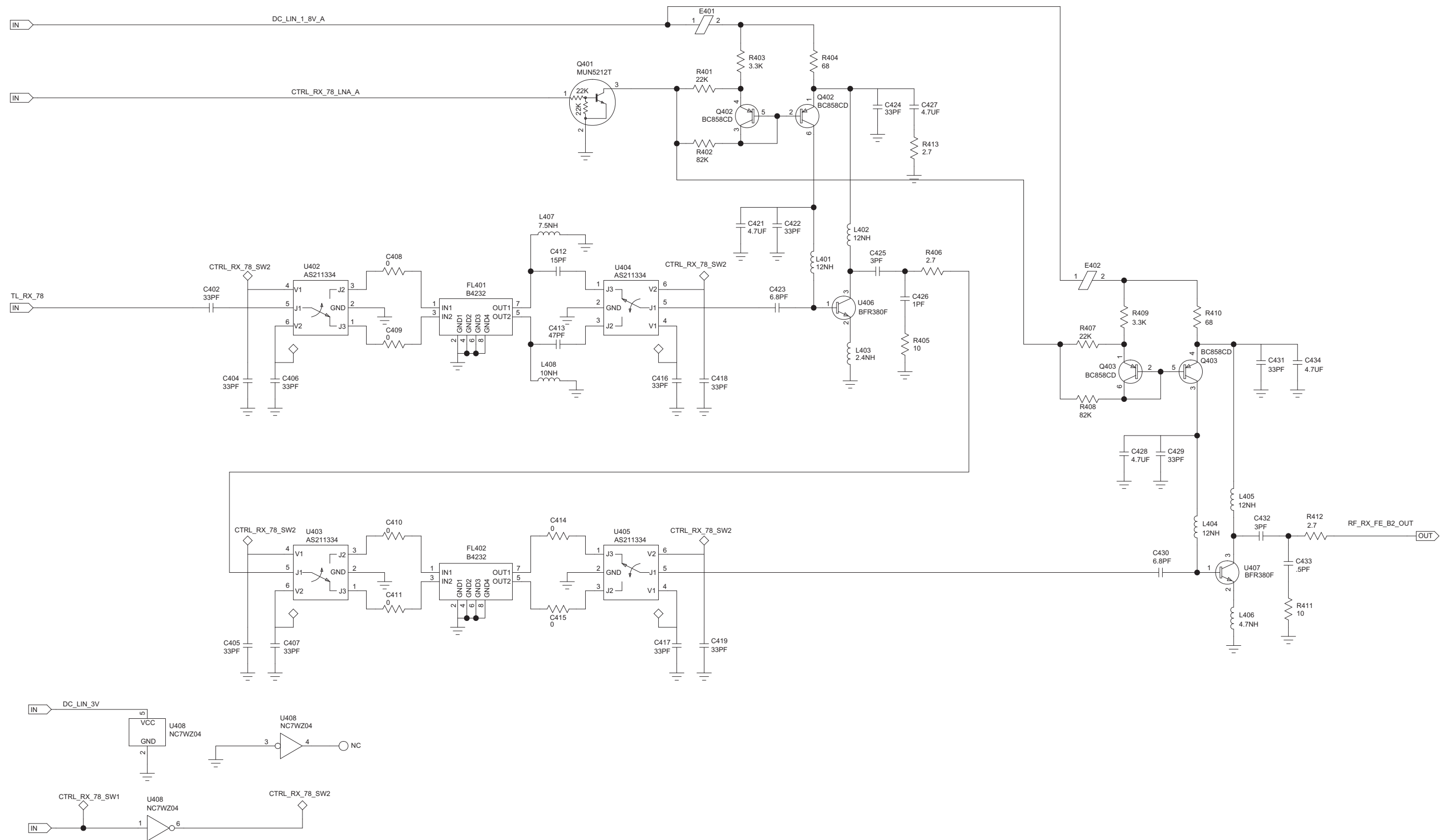


Figure 8-87. MNUS4002A/E 700–800 MHz Receiver Front End Circuit

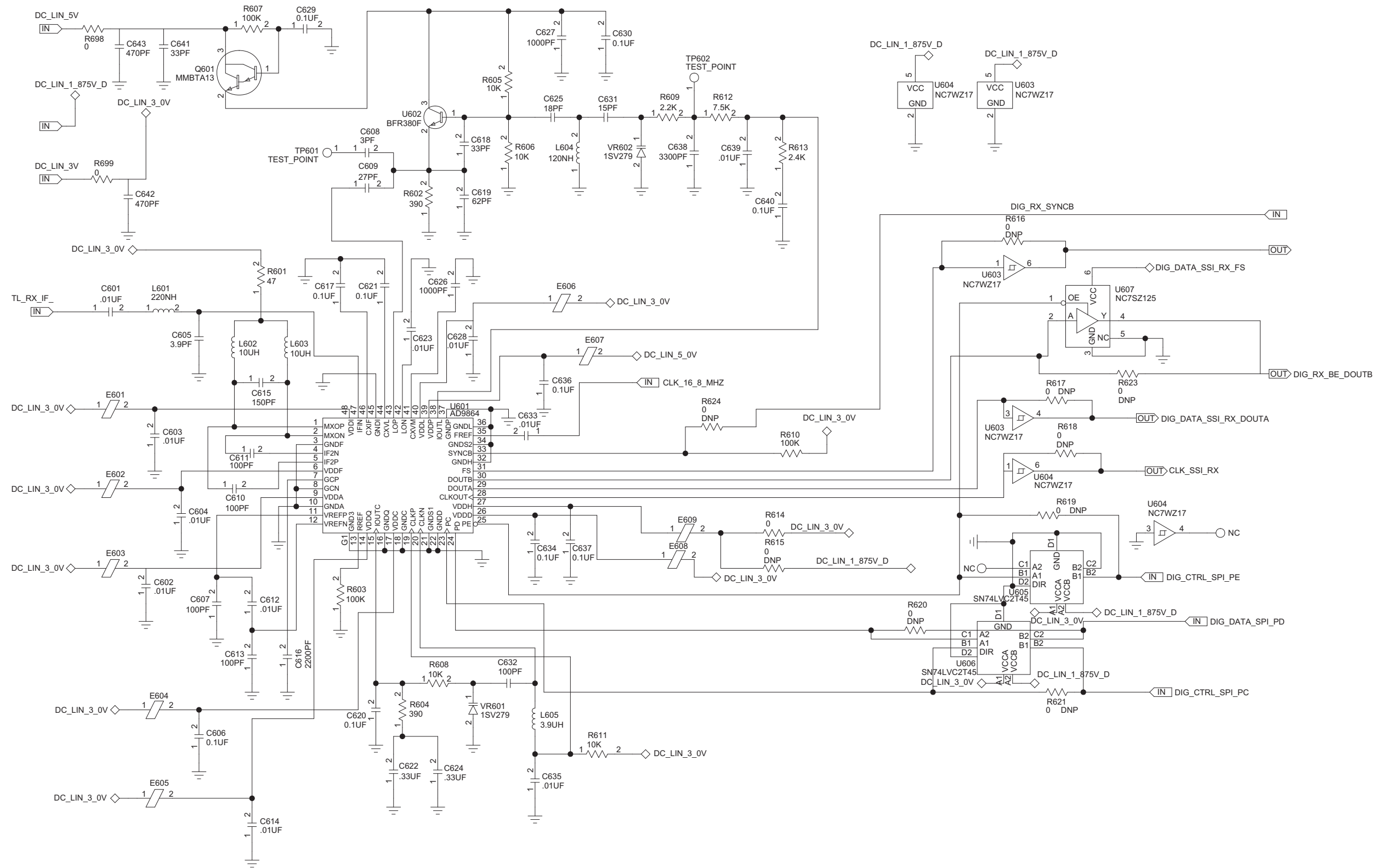


Figure 8-88. MNUS4002A Receiver Back End Circuit

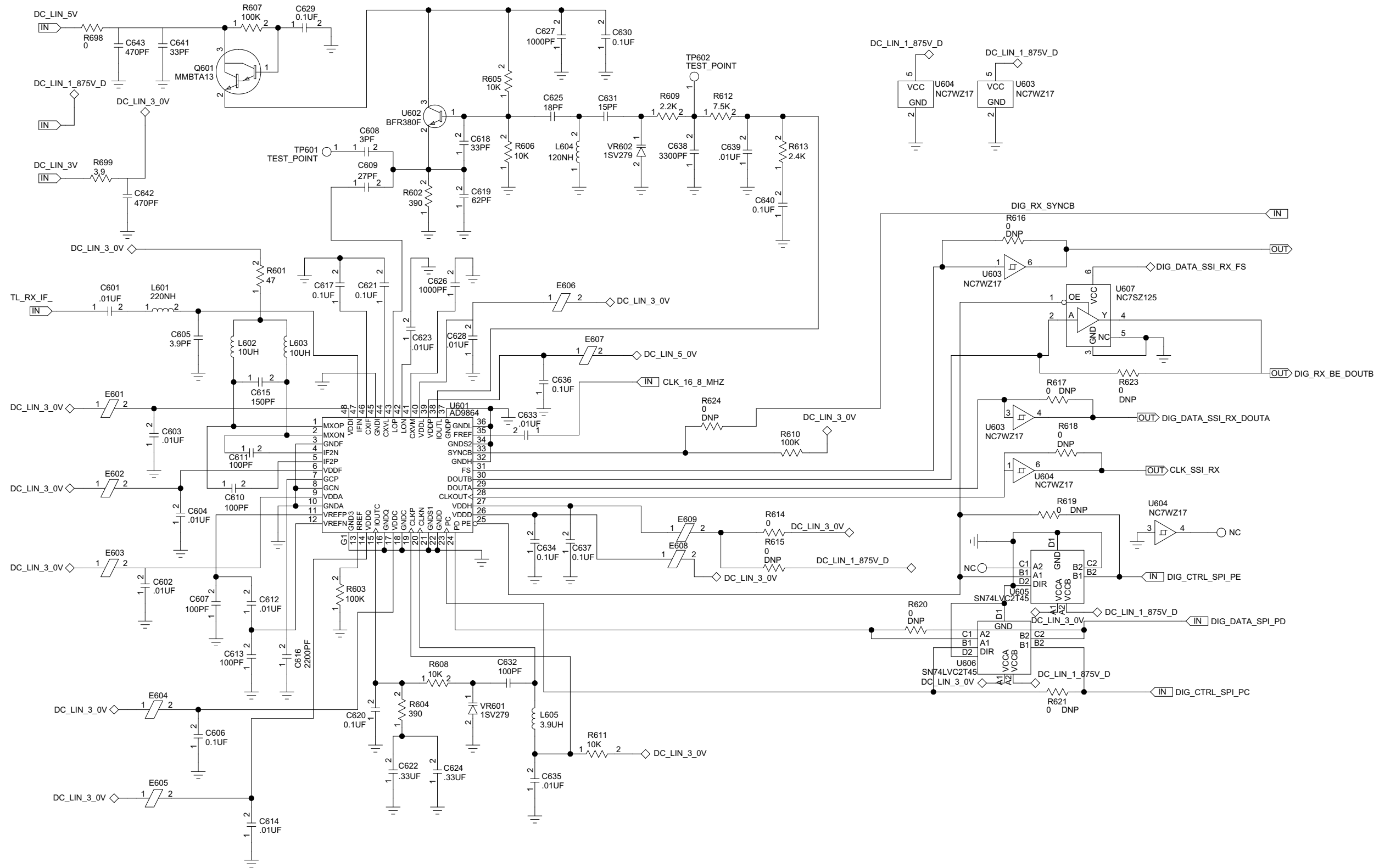


Figure 8-89. MNUS4002E Receiver Back End Circuit

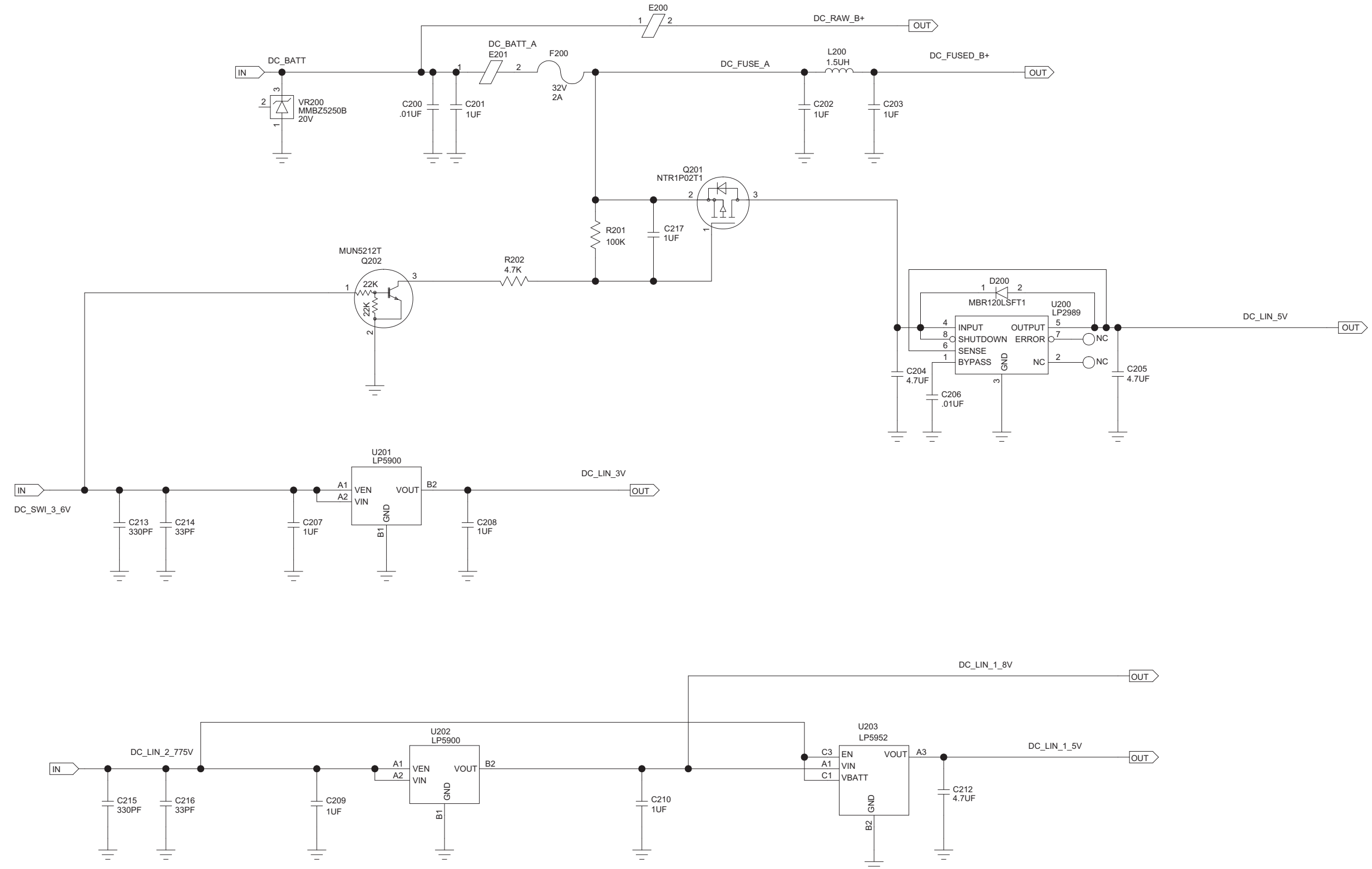


Figure 8-90. MNUS4002A/E DC Power Circuit

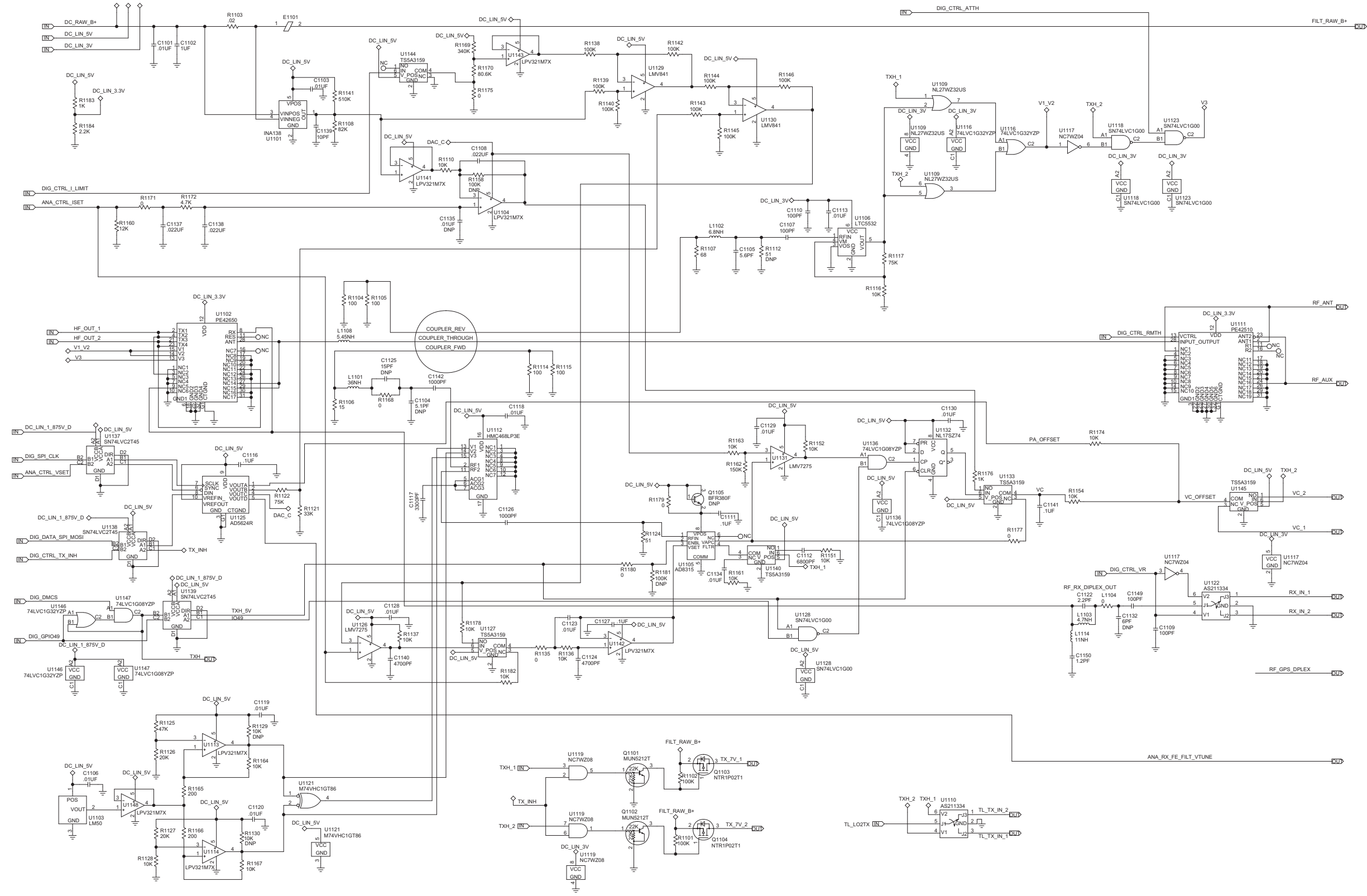


Figure 8-91. MNUS4002A/E Transmitter and Automatic Level Control Circuits

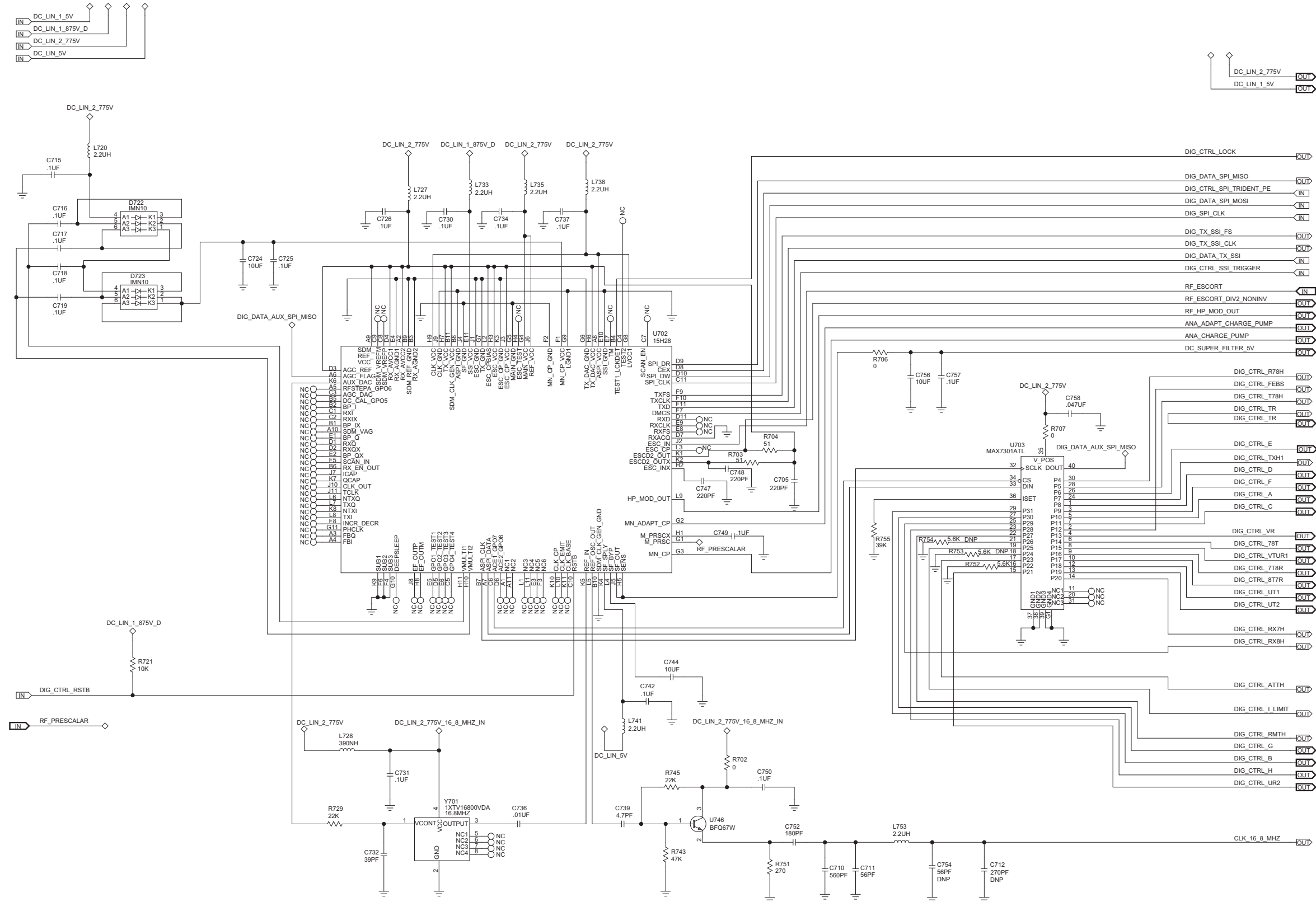


Figure 8-92. MNUS4002A/E Frequency Generation Unit (Synthesizer) Circuit – 1 of 2

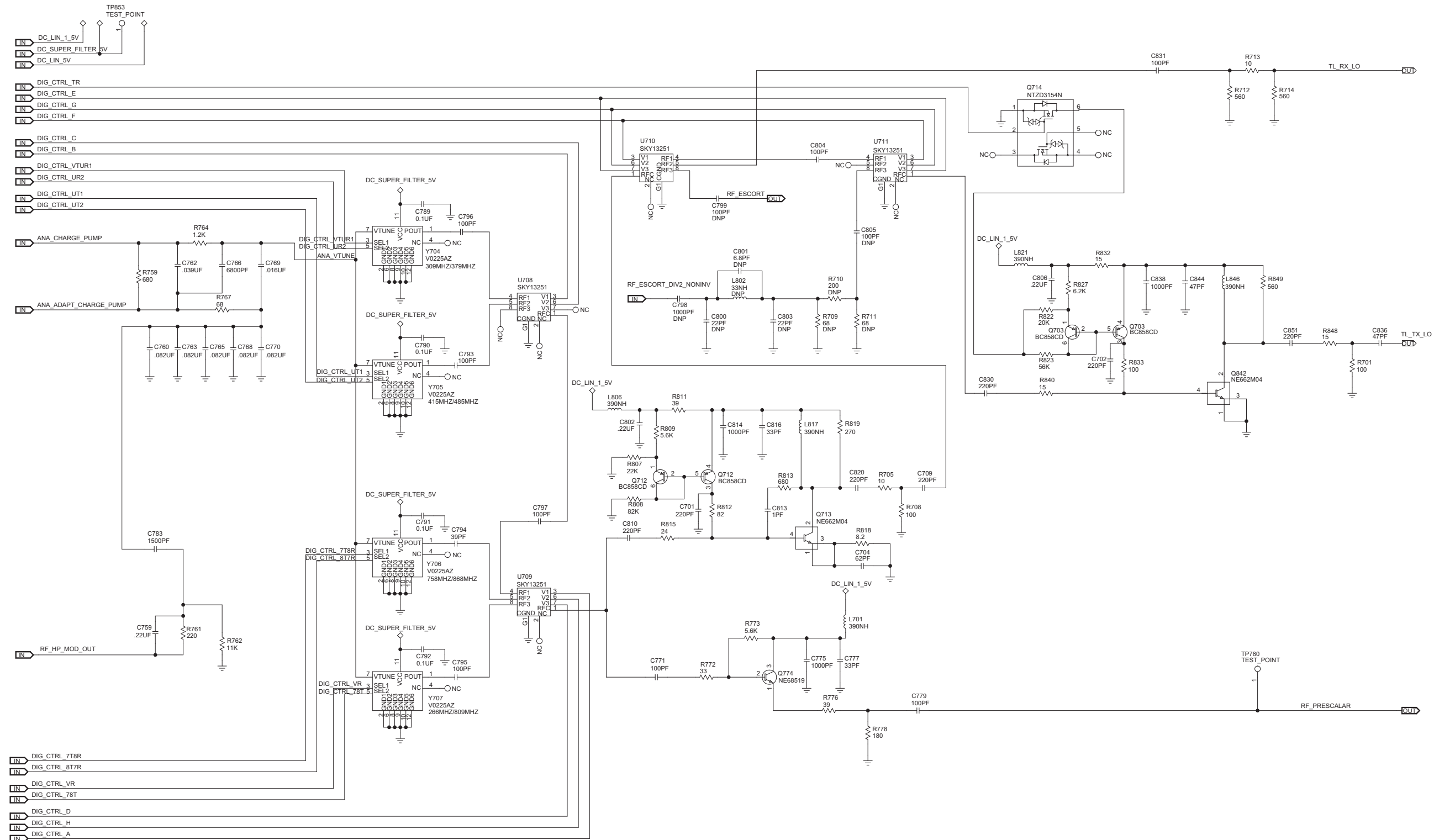


Figure 8-93. MNUS4002A/E Frequency Generation Unit (VCO) Circuit – 2 of 2

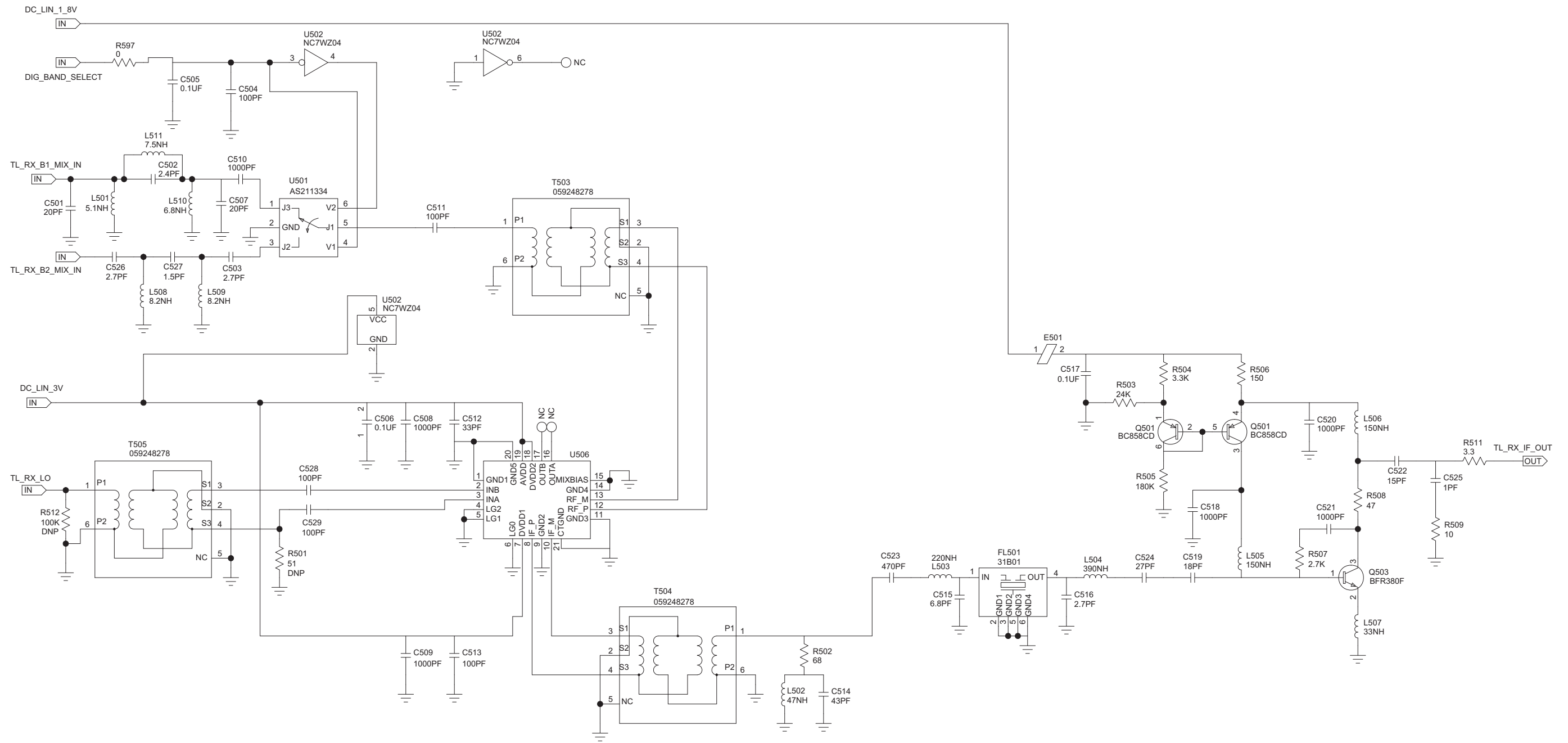


Figure 8-94. MNUS4002A/E Mixer and IF Filter Circuits

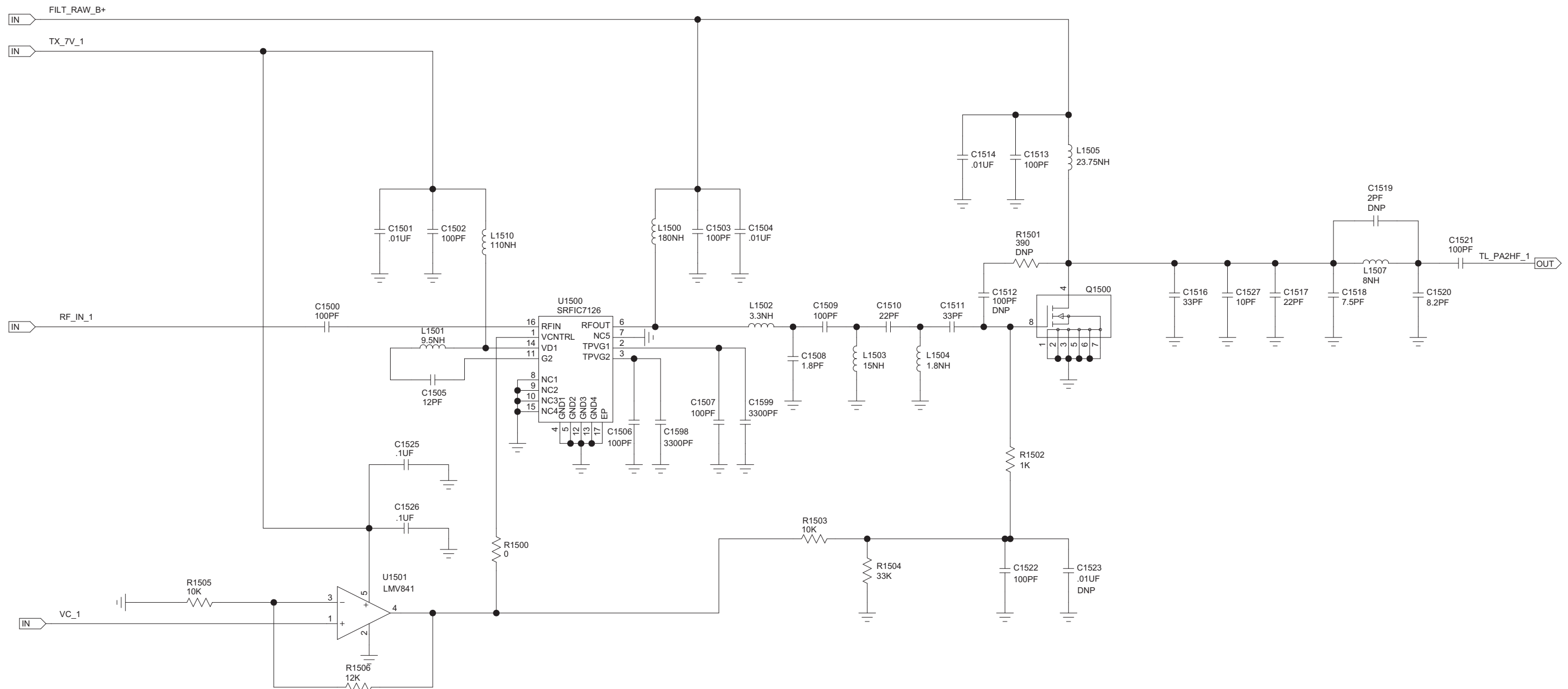


Figure 8-95. MNUS4002A/E UHF2 Power Amplifier Circuit

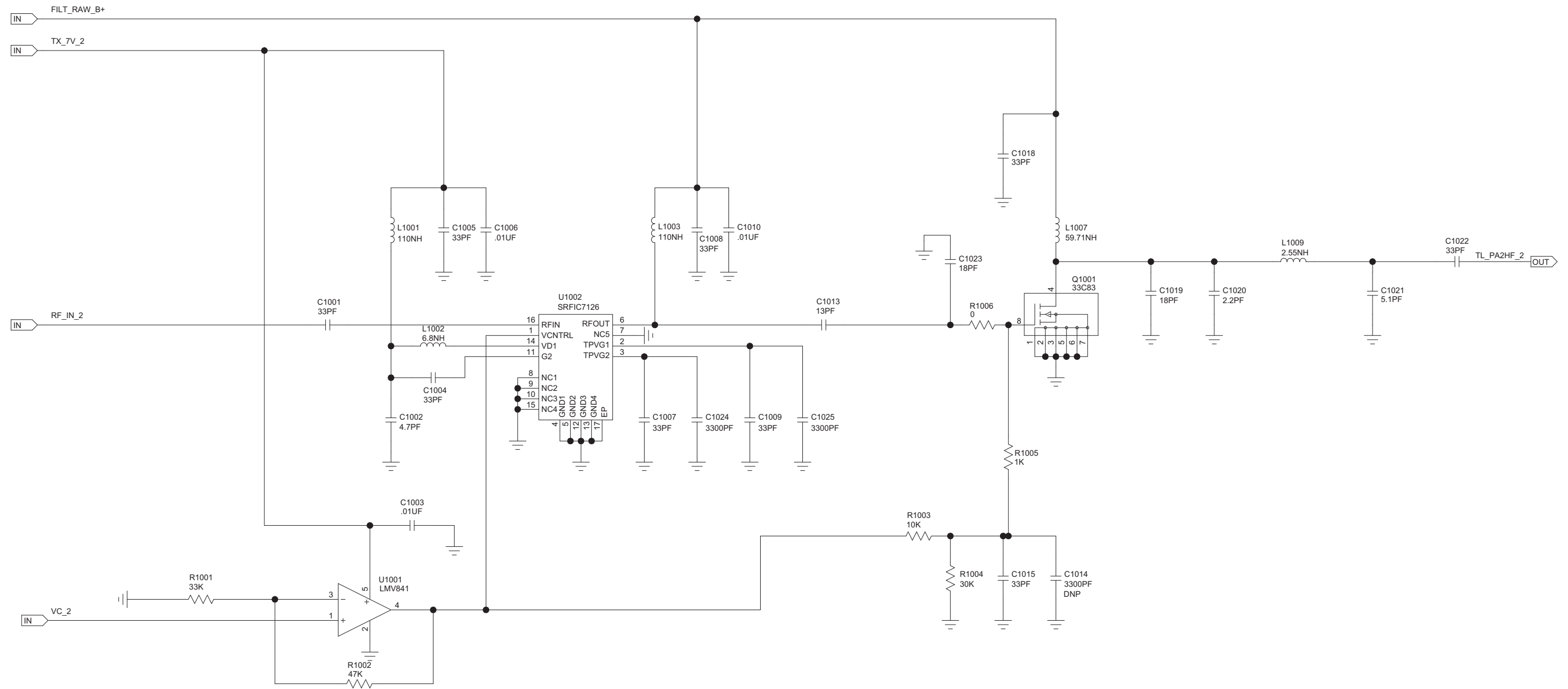


Figure 8-96. MNUS4002A/E 700–800 MHz Power Amplifier Circuit

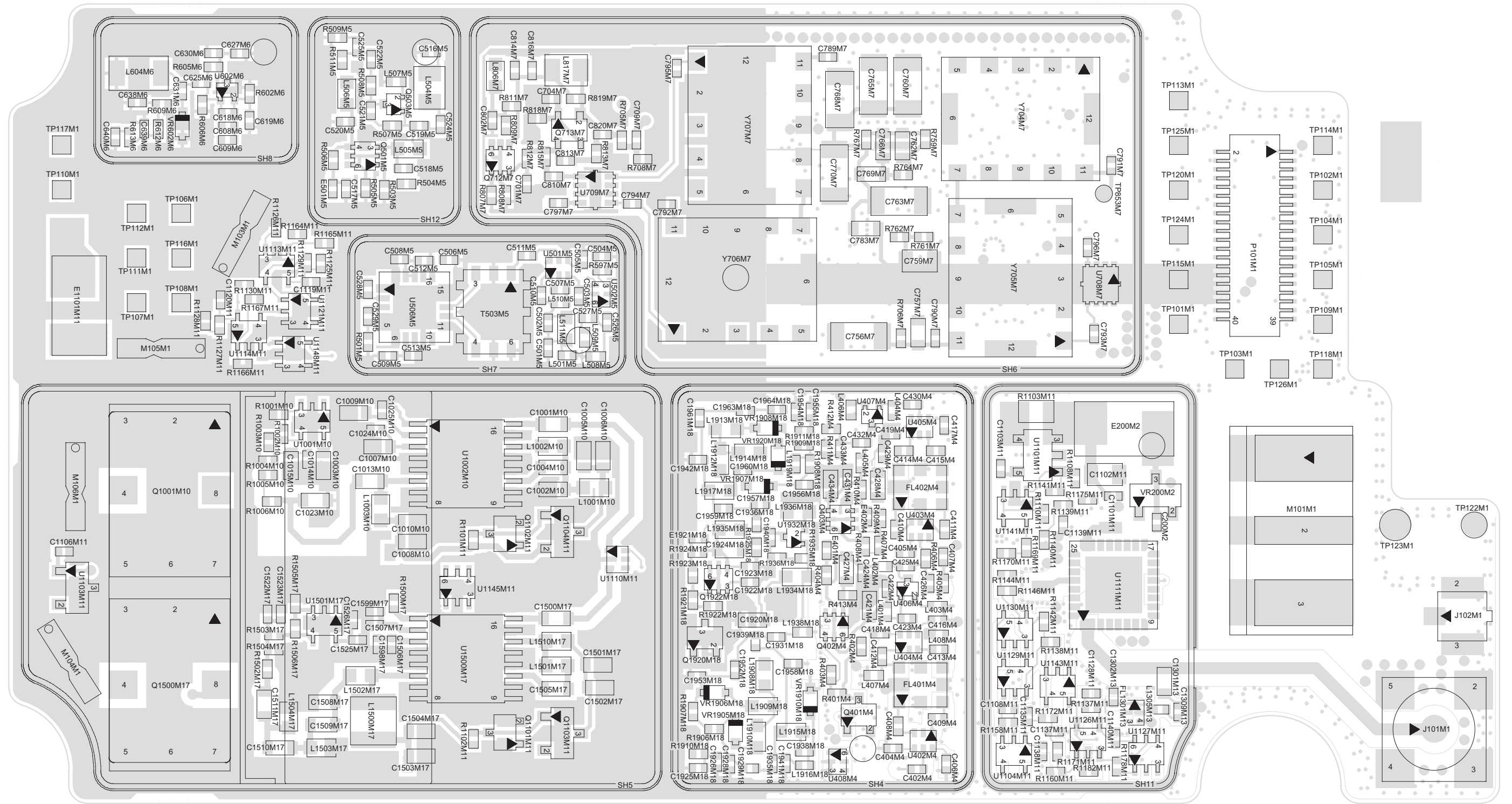


Figure 8-98. MNUS4002A/E Transceiver (RF) Board Layout – Side 2

MNUS4002A UHF2 / 700–800 MHz Transceiver
(RF) Board Parts List

Ref. Des.	Part Number	Description
C101	2113944A46	CAP CER CHP 330.0 PF 50V 5%
C200	2113945B02	CAP CER CHP 10,000PF 25V 10%
C201	2188468Y01	CAP CER 25V X7R 0805 1UF
C202	2188468Y01	CAP CER 25V X7R 0805 1UF
C203	2188468Y01	CAP CER 25V X7R 0805 1UF
C204	2113955D35	CAP,FXD,4.7UF,+10%,-10%,16V-DC,1206,X7R,-55DEG CMIN,1 25DEG CMAX
C205	2113955D35	CAP,FXD,4.7UF,+10%,-10%,16V-DC,1206,X7R,-55DEG CMIN,125DEG CMAX
C206	2113945B02	CAP CER CHP 10,000PF 25V 10%
C207	2113956B91	CAP,FXD,1UF,+10%,-10%,16V-DC,0603,X5R,-55DEG CMIN,85DEG CMAX,PB
C208	2113956B91	CAP,FXD,1UF,+10%,-10%,16V-DC,0603,X5R,-55DEG CMIN,85DEG CMAX,PB
C209	2113956B91	CAP,FXD,1UF,+10%,-10%,16V-DC,0603,X5R,-55DEG CMIN,85DEG CMAX,PB
C210	2113956B91	CAP,FXD,1UF,+10%,-10%,16V-DC,0603,X5R,-55DEG CMIN,85DEG CMAX,PB
C212	2113946D07	CAP,CHIP,4.7UF,+10%,-10%,6.3V-DC,0603,X5R,-55DEG CMIN,85DEG CMA
C213	2113944A46	CAP CER CHP 330.0 PF 50V 5%
C214	2113944A31	CAP CER CHP 33.0PF 50V 5%
C215	2113944A46	CAP CER CHP 330.0 PF 50V 5%
C216	2113944A31	CAP CER CHP 33.0PF 50V 5%
C217	2113956B91	CAP,FXD,1UF,+10%,-10%,16V-DC,0603,X5R,-55DEG CMIN,85DEG CMAX,PB
C402	2113944A31	CAP CER CHP 33.0PF 50V 5%
C404	2113944A31	CAP CER CHP 33.0PF 50V 5%
C405	2113944A31	CAP CER CHP 33.0PF 50V 5%
C406	2113944A31	CAP CER CHP 33.0PF 50V 5%
C407	2113944A31	CAP CER CHP 33.0PF 50V 5%
C408	0613952R66	CER CHIP RES 0.0 +/-0.050 OHM

Ref. Des.	Part Number	Description
C409	0613952R66	CER CHIP RES 0.0 +/-0.050 OHM
C410	0613952R66	CER CHIP RES 0.0 +/-0.050 OHM
C411	0613952R66	CER CHIP RES 0.0 +/-0.050 OHM
C412	2113944A27	CAP CER CHP 15.0PF 50V 5%
C413	2113944A33	CAP CER CHP 47.0PF 50V 5%
C414	0613952R66	CER CHIP RES 0.0 +/-0.050 OHM
C415	0613952R66	CER CHIP RES 0.0 +/-0.050 OHM
C416	2113944A31	CAP CER CHP 33.0PF 50V 5%
C417	2113944A31	CAP CER CHP 33.0PF 50V 5%
C418	2113944A31	CAP CER CHP 33.0PF 50V 5%
C419	2113944A31	CAP CER CHP 33.0PF 50V 5%
C421	2113946D07	CAP,CHIP,4.7UF,+10%,-10%,6.3V-DC,0603,X5R,-55DEG CMIN,85DEG CMA
C422	2113944A31	CAP CER CHP 33.0PF 50V 5%
C423	2113944A21	CAP CER CHP 6.8PF 50V +/- 0.5PF
C424	2113944A31	CAP CER CHP 33.0PF 50V 5%
C425	2113944A12	CAP CER CHP 3.0PF 50V +/- 0.25PF
C426	2113944A63	CAP,FXD,1PF,.25PF+/-,50V-DC,0402,C0G,-55DEG CMIN,125DEG CMAX,P
C427	2113946D07	CAP,CHIP,4.7UF,+10%,-10%,6.3V-DC,0603,X5R,-55DEG CMIN,85DEG CMA
C428	2113946D07	CAP,CHIP,4.7UF,+10%,-10%,6.3V-DC,0603,X5R,-55DEG CMIN,85DEG CMA
C429	2113944A31	CAP CER CHP 33.0PF 50V 5%
C430	2113944A21	CAP CER CHP 6.8PF 50V +/- 0.5PF
C431	2113944A31	CAP CER CHP 33.0PF 50V 5%
C432	2113944A12	CAP CER CHP 3.0PF 50V +/- 0.25PF
C433	2113944A61	CAP,FXD,.5PF,.25PF+/-,50V-DC,0402,C0G,-55DEG CMIN,125DEG CMAX
C434	2113946D07	CAP,CHIP,4.7UF,+10%,-10%,6.3V-DC,0603,X5R,-55DEG CMIN,85DEG CMA
C501	2115153H40	CAP, CERAMIC, COG
C502	2115153H12	CAP, CERAMIC, COG

Ref. Des.	Part Number	Description
C503	2113944V13	CAP,FXD,2.7PF,.1PF+/-,50V-DC,0402,C0G,-55DEG CMIN,125DEG CMAX
C504	2113944A40	CAP CER CHP 100.0PF 50V 5%
C505	2113946B04	CAP CER CHP 0.10UF 10V 10%
C506	2113946B04	CAP CER CHP 0.10UF 10V 10%
C507	2115153H40	CAP, CERAMIC, COG
C508	2113945A09	CAP CER CHP 1000PF 50V 10%
C509	2113945A09	CAP CER CHP 1000PF 50V 10%
C510	2113944A52	CAP CER CHP 1000.0 PF 50V 5%
C511	2113944A40	CAP CER CHP 100.0PF 50V 5%
C512	2113944A31	CAP CER CHP 33.0PF 50V 5%
C513	2113944A40	CAP CER CHP 100.0PF 50V 5%
C514	2113944A84	CAP,FXD,43PF,+5%,-5%,50V-DC,0402,C0G,-55DEG CMIN,125DEG CMAX,PB
C515	2113944A21	CAP CER CHP 6.8PF 50V +/- 0.5PF
C516	2113944A11	CAP CER CHP 2.7PF 50V +/- 0.25PF
C517	2113946B04	CAP CER CHP 0.10UF 10V 10%
C518	2113945A09	CAP CER CHP 1000PF 50V 10%
C519	2113944A28	CAP CER CHP 18.0PF 50V 5%
C520	2113945A09	CAP CER CHP 1000PF 50V 10%
C521	2113945A09	CAP CER CHP 1000PF 50V 10%
C522	2113944A27	CAP CER CHP 15.0PF 50V 5%
C523	2113944A48	CAP CER CHP 470.0 PF 50V 5%
C524	2113944A30	CAP CER CHP 27.0PF 50V 5%
C525	2115153H03	CAP, CERAMIC, COG
C526	2113944V13	CAP,FXD,2.7PF,.1PF+/-,50V-DC,0402,C0G,-55DEG CMIN,125DEG CMAX
C527	2113944V07	CAP,FXD,1.5PF,.1PF+/-,50V-DC,0402,C0G,-55DEG CMIN,125DEG CMAX
C528	2113944A40	CAP CER CHP 100.0PF 50V 5%
C529	2113944A40	CAP CER CHP 100.0PF 50V 5%
C601	2113945B02	CAP CER CHP 10,000PF 25V 10%
C602	2113945B02	CAP CER CHP 10,000PF 25V 10%
C603	2113945B02	CAP CER CHP 10,000PF 25V 10%

Ref. Des.	Part Number	Description
C604	2113945B02	CAP CER CHP 10,000PF 25V 10%
C605	2113944A15	CAP CER CHP 3.9PF 50V +/- 0.25PF
C606	2113946B04	CAP CER CHP 0.10UF 10V 10%
C607	2113944A40	CAP CER CHP 100.0PF 50V 5%
C608	2113944A12	CAP CER CHP 3.0PF 50V +/- 0.25PF
C609	2113944A30	CAP CER CHP 27.0PF 50V 5%
C610	2113944A40	CAP CER CHP 100.0PF 50V 5%
C611	2113944A40	CAP CER CHP 100.0PF 50V 5%
C612	2113945B02	CAP CER CHP 10,000PF 25V 10%
C613	2113944A40	CAP CER CHP 100.0PF 50V 5%
C614	2113945B02	CAP CER CHP 10,000PF 25V 10%
C615	2113944A42	CAP CER CHP 150.0PF 50V 5%
C616	2113945A11	CAP CER CHP 2200PF 50V 10%
C617	2113946B04	CAP CER CHP 0.10UF 10V 10%
C618	2113944A31	CAP CER CHP 33.0PF 50V 5%
C619	2113944A35	CAP CER CHP 62.0PF 50V 5%
C620	2113946B04	CAP CER CHP 0.10UF 10V 10%
C621	2113946B04	CAP CER CHP 0.10UF 10V 10%
C622	2113946C07	CAP,FXD,.33UF,+10%,-10%,10V-DC,0603,X5R,-55DEG CMIN,85DEG CMAX
C623	2113945B02	CAP CER CHP 10,000PF 25V 10%
C624	2113946C07	CAP,FXD,.33UF,+10%,-10%,10V-DC,0603,X5R,-55DEG CMIN,85DEG CMAX
C625	2113944A28	CAP CER CHP 18.0PF 50V 5%
C626	2113945A09	CAP CER CHP 1000PF 50V 10%
C627	2113945A09	CAP CER CHP 1000PF 50V 10%
C628	2113945B02	CAP CER CHP 10,000PF 25V 10%
C629	2113946B04	CAP CER CHP 0.10UF 10V 10%
C630	2113946B04	CAP CER CHP 0.10UF 10V 10%
C631	2113944A27	CAP CER CHP 15.0PF 50V 5%
C632	2113944A40	CAP CER CHP 100.0PF 50V 5%
C633	2113945B02	CAP CER CHP 10,000PF 25V 10%

Ref. Des.	Part Number	Description	Ref. Des.	Part Number	Description	Ref. Des.	Part Number	Description	Ref. Des.	Part Number	Description
C634	2113946B04	CAP CER CHP 0.10UF 10V 10%	C730	2113945C31	CAP,FXD,.1UF,+10%,-10%,50V-DC,0603,X7R,-55DEG CMIN,125DEG CMAX	C762	2113945C26	CAP,FXD,.039UF,+10%,-10%,50V-DC,0603,X7R,-55DEG CMIN,125DEG CMA	C806	2113946B06	CAP,CHIP,.22UF,+10%,-10%,10V-DC,0402,X5R,-55DEG CMIN,85DEG CMAX
C635	2113945B02	CAP CER CHP 10,000PF 25V 10%	C731	2113945C31	CAP,FXD,.1UF,+10%,-10%,50V-DC,0603,X7R,-55DEG CMIN,125DEG CMAX	C763	2113944G97	CAP,FXD,.082UF,+5%,-5%,50V-DC,1206,C0G,-55DEG CMIN,125DEG CMAX	C810	2113944A44	CAP CER CHP 220.0 PF 50V 5%
C636	2113946B04	CAP CER CHP 0.10UF 10V 10%	C732	2113944A32	CAP CER CHP 39.0PF 50V 5%	C765	2113944G97	CAP,FXD,.082UF,+5%,-5%,50V-DC,1206,C0G,-55DEG CMIN,125DEG CMAX	C813	2113944A63	CAP,FXD,1PF,-25PF+/-,50V-DC,0402,C0G,-55DEG CMIN,125DEG CMAX,P
C637	2113946B04	CAP CER CHP 0.10UF 10V 10%	C734	2113945C31	CAP,FXD,.1UF,+10%,-10%,50V-DC,0603,X7R,-55DEG CMIN,125DEG CMAX	C766	2113945C01	CAP CER CHP 6800PF 50V 10%	C814	2113945A09	CAP CER CHP 1000PF 50V 10%
C638	2113945A12	CAP CER CHP 3300PF 50V 10%	C736	2113945B02	CAP CER CHP 10,000PF 25V 10%	C768	2113944G97	CAP,FXD,.082UF,+5%,-5%,50V-DC,1206,C0G,-55DEG CMIN,125DEG CMAX	C816	2113944A31	CAP CER CHP 33.0PF 50V 5%
C639	2113945B02	CAP CER CHP 10,000PF 25V 10%	C737	2113945C31	CAP,FXD,.1UF,+10%,-10%,50V-DC,0603,X7R,-55DEG CMIN,125DEG CMAX	C769	2113945C20	CAP,FXD,.016UF,+10%,-10%,50V-DC,0603,X7R,-55DEG CMIN,125DEG CMA	C820	2113944A44	CAP CER CHP 220.0 PF 50V 5%
C640	2113946B04	CAP CER CHP 0.10UF 10V 10%	C739	2113944A17	CAP CER CHP 4.7PF 50V +/- 0.25PF	C770	2113944G97	CAP,FXD,.082UF,+5%,-5%,50V-DC,1206,C0G,-55DEG CMIN,125DEG CMAX	C830	2113944A44	CAP CER CHP 220.0 PF 50V 5%
C641	2113944A31	CAP CER CHP 33.0PF 50V 5%	C742	2113945C31	CAP,FXD,.1UF,+10%,-10%,50V-DC,0603,X7R,-55DEG CMIN,125DEG CMAX	C771	2113944A40	CAP CER CHP 100.0PF 50V 5%	C831	2113944A40	CAP CER CHP 100.0PF 50V 5%
C642	2113944A48	CAP CER CHP 470.0 PF 50V 5%	C744	2113955D37	CAP,FXD,10UF,+10%,-10%,16V-DC,1206,X7R,-55DEG CMIN,125DEG CMAX	C775	2113945A09	CAP CER CHP 1000PF 50V 10%	C836	2113944A33	CAP CER CHP 47.0PF 50V 5%
C643	2113944A48	CAP CER CHP 470.0 PF 50V 5%	C747	2113944A44	CAP CER CHP 220.0 PF 50V 5%	C777	2113944A31	CAP CER CHP 33.0PF 50V 5%	C838	2113945A09	CAP CER CHP 1000PF 50V 10%
C701	2113944A44	CAP CER CHP 220.0 PF 50V 5%	C748	2113944A44	CAP CER CHP 220.0 PF 50V 5%	C779	2113944A40	CAP CER CHP 100.0PF 50V 5%	C844	2113944A33	CAP CER CHP 47.0PF 50V 5%
C702	2113944A44	CAP CER CHP 220.0 PF 50V 5%	C749	2113945C31	CAP,FXD,.1UF,+10%,-10%,50V-DC,0603,X7R,-55DEG CMIN,125DEG CMAX	C783	2113944C53	CAP CER CHP 1500.OPF 50V 5%	C851	2113944A44	CAP CER CHP 220.0 PF 50V 5%
C704	2113944A35	CAP CER CHP 62.0PF 50V 5%	C750	2113945C31	CAP,FXD,.1UF,+10%,-10%,50V-DC,0603,X7R,-55DEG CMIN,125DEG CMAX	C789	2113946B04	CAP CER CHP 0.10UF 10V 10%	C1001	2113944M30	CAP,FXD,33PF,+2%,-2%,50V-DC,0603,C0G,-55DEG CMIN,125DEG CMAX,PB
C705	2113944A44	CAP CER CHP 220.0 PF 50V 5%	C752	2113944A43	CAP CER CHP 180.0PF 50V 5%	C790	2113946B04	CAP CER CHP 0.10UF 10V 10%	C1002	2113944C22	CAP CER CHP 4.7PF 50V +/- 0.25PF
C709	2113944A44	CAP CER CHP 220.0 PF 50V 5%	C754	NOT PLACED	–	C791	2113946B04	CAP CER CHP 0.10UF 10V 10%	C1003	2113945C02	CAP CER CHP 10,000PF 50V 10%
C710	2113944A49	CAP CER CHP 560.0 PF 50V 5%	C756	2113955D37	CAP,FXD,10UF,+10%,-10%,16V-DC,1206,X7R,-55DEG CMIN,125DEG CMAX	C792	2113946B04	CAP CER CHP 0.10UF 10V 10%	C1004	2113944M30	CAP,FXD,33PF,+2%,-2%,50V-DC,0603,C0G,-55DEG CMIN,125DEG CMAX,PB
C711	2113944A34	CAP CER CHP 56.0PF 50V 5%	C757	2113945C31	CAP,FXD,.1UF,+10%,-10%,50V-DC,0603,X7R,-55DEG CMIN,125DEG CMAX	C793	2113944A40	CAP CER CHP 100.0PF 50V 5%	C1005	2113944M30	CAP,FXD,33PF,+2%,-2%,50V-DC,0603,C0G,-55DEG CMIN,125DEG CMAX,PB
C712	NOT PLACED	–	C758	2113946B02	CAP CER CHP 0.047UF 10V 10,	C794	2113944A32	CAP CER CHP 39.0PF 50V 5%	C1006	2113945C02	CAP CER CHP 10,000PF 50V 10%
C715	2113945C31	CAP,FXD,.1UF,+10%,-10%,50V-DC,0603,X7R,-55DEG CMIN,125DEG CMAX	C759	2113945G95	CAP,FXD,.22UF,+10%,-10%,50V-DC,0805,X7R,-55DEG CMIN,125DEG CMAX	C795	2113944A40	CAP CER CHP 100.0PF 50V 5%	C1007	2113944M30	CAP,FXD,33PF,+2%,-2%,50V-DC,0603,C0G,-55DEG CMIN,125DEG CMAX,PB
C716	2113945C31	CAP,FXD,.1UF,+10%,-10%,50V-DC,0603,X7R,-55DEG CMIN,125DEG CMAX	C760	2113944G97	CAP,FXD,.082UF,+5%,-5%,50V-DC,1206,C0G,-55DEG CMIN,125DEG CMAX	C796	2113944A40	CAP CER CHP 100.0PF 50V 5%	C1008	2113944M30	CAP,FXD,33PF,+2%,-2%,50V-DC,0603,C0G,-55DEG CMIN,125DEG CMAX,PB
C717	2113945C31	CAP,FXD,.1UF,+10%,-10%,50V-DC,0603,X7R,-55DEG CMIN,125DEG CMAX				C797	2113944A40	CAP CER CHP 100.0PF 50V 5%	C1009	2113944M30	CAP,FXD,33PF,+2%,-2%,50V-DC,0603,C0G,-55DEG CMIN,125DEG CMAX,PB
C718	2113945C31	CAP,FXD,.1UF,+10%,-10%,50V-DC,0603,X7R,-55DEG CMIN,125DEG CMAX				C798	NOT PLACED	–	C1010	2113945C02	CAP CER CHP 10,000PF 50V 10%
C719	2113945C31	CAP,FXD,.1UF,+10%,-10%,50V-DC,0603,X7R,-55DEG CMIN,125DEG CMAX				C799	NOT PLACED	–	C1013	2113944M21	CAP,FXD,13PF,+2%,-2%,50V-DC,0603,C0G,-55DEG CMIN,125DEG CMAX,PB
C724	2113955D37	CAP,FXD,10UF,+10%,-10%,16V-DC,1206,X7R,-55DEG CMIN,125DEG CMAX				C800	NOT PLACED	–	C1014	NOT PLACED	–
C725	2113945C31	CAP,FXD,.1UF,+10%,-10%,50V-DC,0603,X7R,-55DEG CMIN,125DEG CMAX				C801	NOT PLACED	–			
C726	2113945C31	CAP,FXD,.1UF,+10%,-10%,50V-DC,0603,X7R,-55DEG CMIN,125DEG CMAX				C802	2113946B06	CAP,CHIP,.22UF,+10%,-10%,10V-DC,0402,X5R,-55DEG CMIN,85DEG CMAX			
						C803	NOT PLACED	–			
						C804	2113944A40	CAP CER CHP 100.0PF 50V 5%			
						C805	NOT PLACED	–			

Ref. Des.	Part Number	Description	Ref. Des.	Part Number	Description	Ref. Des.	Part Number	Description	Ref. Des.	Part Number	Description
C1015	2113944M30	CAP,FXD,33PF,+2%,-2%,50V-DC,0603,C0G,-55DEG CMIN,125DEG CMAX,PB	C1118	2113945B02	CAP CER CHP 10,000PF 25V 10%	C1302	2114036F74	CAP,FXD,1.8PF,.05PF+/-,25V-DC,C0G,-55DEG CMIN,125DEG CMAX,PB-	C1510	2113944M26	CAP,FXD,22PF,+2%,-2%,50V-DC,0603,C0G,-55DEG CMIN,125DEG CMAX,PB
C1018	2113944M30	CAP,FXD,33PF,+2%,-2%,50V-DC,0603,C0G,-55DEG CMIN,125DEG CMAX,PB	C1119	2113945B02	CAP CER CHP 10,000PF 25V 10%	C1303	2113944A26	CAP CER CHP 12.0PF 50V 5%	C1511	2113944M30	CAP,FXD,33PF,+2%,-2%,50V-DC,0603,C0G,-55DEG CMIN,125DEG CMAX,PB
C1019	21009257001	CAP 18.0 PF 5%	C1120	2113945B02	CAP CER CHP 10,000PF 25V 10%	C1304	2113945A09	CAP CER CHP 1000PF 50V 10%	C1512	NOT PLACED	-
C1020	2113944C14	CAP CER CHP 2.2PF 50V +/- 0.25PF	C1122	2175390H01	CAP, 2.2 PF, 0402, CERAMIC, 50V	C1305	2113944A30	CAP CER CHP 27.0PF 50V 5%	C1513	2113944C45	CAP CER CHP 100.0PF 50V 5%
C1021	2113944C23	CAP CER CHP 5.1PF 50V +/- 0.5PF	C1123	2113945B02	CAP CER CHP 10,000PF 25V 10%	C1306	2113945B02	CAP CER CHP 10,000PF 25V 10%	C1514	2113945C02	CAP CER CHP 10,000PF 50V 10%
C1022	2113944M30	CAP,FXD,33PF,+2%,-2%,50V-DC,0603,C0G,-55DEG CMIN,125DEG CMAX,PB	C1124	2113945A13	CAP CER CHP 4700PF 50V 10%	C1307	2113944A26	CAP CER CHP 12.0PF 50V 5%	C1516	21007088001	0805 CAPACITOR
C1023	2113944M24	CAP,FXD,18PF,+2%,-2%,50V-DC,0603,C0G,-55DEG CMIN,125DEG CMAX,PB	C1125	NOT PLACED	-	C1308	2113944A28	CAP CER CHP 18.0PF 50V 5%	C1517	2171741M08	HIGH Q CAP, 22 PF
C1024	2113945A12	CAP CER CHP 3300PF 50V 10%	C1126	2113945A09	CAP CER CHP 1000PF 50V 10%	C1309	2175389H01	CAP,.5PF,CHIP,0402,CERAMIC,50 V	C1518	21007088007	0805 CAPACITOR
C1025	2113945A12	CAP CER CHP 3300PF 50V 10%	C1127	2113945Y02	CAP,FXD,.1UF,+10%,-10%,16V-DC,0402,X7R,-55DEG CMIN,125DEG CMAX	C1310	2113944A17	CAP CER CHP 4.7PF 50V +/- 0.25PF	C1519	NOT PLACED	-
C1101	2113945B02	CAP CER CHP 10,000PF 25V 10%	C1128	2113945B02	CAP CER CHP 10,000PF 25V 10%	C1411	2113944C36	CAP CER CHP 33.0PF 50V 5%	C1520	21007088005	0805 CAPACITOR
C1102	2188468Y01	CAP CER 25V X7R 0805 1UF	C1129	2113945B02	CAP CER CHP 10,000PF 25V 10%	C1413	2113944C62	CAP,FXD,.75PF,.1PF+/-,50V-DC,0603,C0G,-55DEG CMIN,125DEG CMAX	C1521	2113944C45	CAP CER CHP 100.0PF 50V 5%
C1103	2113945B02	CAP CER CHP 10,000PF 25V 10%	C1130	2113945B02	CAP CER CHP 10,000PF 25V 10%	C1414	2113944C63	CAP,FXD,1PF,.1PF+/-,50V-DC,0603,C0G,-55DEG CMIN,125DEG CMAX,PB	C1522	2113944A40	CAP CER CHP 100.0PF 50V 5%
C1104	NOT PLACED	-	C1132	NOT PLACED	-	C1418	2113944C13	CAP CER CHP 2.0PF 50V +/- 0.25PF	C1523	NOT PLACED	-
C1105	2113944A19	CAP CER CHP 5.6PF 50V +/- 0.5PF	C1134	2113945B02	CAP CER CHP 10,000PF 25V 10%	C1419	NOT PLACED	-	C1525	2113945Y02	CAP,FXD,.1UF,+10%,-10%,16V-DC,0402,X7R,-55DEG CMIN,125DEG CMAX
C1106	2113945B02	CAP CER CHP 10,000PF 25V 10%	C1135	NOT PLACED	-	C1424	2113944C63	CAP,FXD,1PF,.1PF+/-,50V-DC,0603,C0G	C1526	2113945Y02	CAP,FXD,.1UF,+10%,-10%,16V-DC,0402,X7R,-55DEG CMIN,125DEG CMAX
C1107	2113944A40	CAP CER CHP 100.0PF 50V 5%	C1137	2113945B04	CAP,FXD,.022UF,+10%,-10%,25V-DC,0402,X7R,-55DEG CMIN,15DEG CMA	C1425	2113944C61	CAP,FXD,.5PF,.1PF+/-,50V-DC,0603,C0G,-55DEG CMIN,125DEG CMAX,P	C1527	21007088006	0805 CAPACITOR
C1108	2113945B04	CAP,FXD,.022UF,+10%,-10%,25V-DC,04	C1138	2113945B04	CAP,FXD,.022UF,+10%,-10%,25V-DC,0402,X7R,-55DEG CMIN,125DEG CMA	C1500	2113944C45	CAP CER CHP 100.0PF 50V 5%	C1598	2113945A12	CAP CER CHP 3300PF 50V 10%
C1109	2113944A40	CAP CER CHP 100.0PF 50V 5%	C1139	2113944A25	CAP CER CHP 10.0PF 50V +/- 0.5PF	C1501	2113945C02	CAP CER CHP 10,000PF 50V 10%	C1599	2113945A12	CAP CER CHP 3300PF 50V 10%
C1110	2113944A40	CAP CER CHP 100.0PF 50V 5%	C1140	2113945A13	CAP CER CHP 4700PF 50V 10%	C1502	2113944C45	CAP CER CHP 100.0PF 50V 5%	C1700	2113944M06	CAP,FXD,3.3PF,.1PF+/-,50V-DC,0603,C0G,-55DEG CMIN,125DEG CMAX
C1111	2113945Y02	CAP,FXD,.1UF,+10%,-10%,16V-DC,0402,X7R,-55DEG CMIN,125DEG CMAX	C1141	2113945Y02	CAP,FXD,.1UF,+10%,-10%,16V-DC,0402,X7R,-55DEG CMIN,125DEG CMAX	C1503	2113944C45	CAP CER CHP 100.0PF 50V 5%	C1701	2113944M14	CAP,FXD,6.8PF,.1PF+/-,50V-DC,0603,C0G,-55DEG CMIN,125DEG CMAX
C1112	2113945B01	CAP CER CHP 6800PF 25V 10%	C1142	2113945A09	CAP CER CHP 1000PF 50V 10%	C1504	2113945C02	CAP CER CHP 10,000PF 50V 10%	C1702	2113944M15	CAP,FXD,7.5PF,.1PF+/-,50V-DC,0603,C0G,-55DEG CMIN,125DEG CMAX
C1113	2113945B02	CAP CER CHP 10,000PF 25V 10%	C1149	2113944A40	CAP CER CHP 100.0PF 50V 5%	C1505	2113944M20	CAP,FXD,5.6PF,.1PF+/-,50V-DC,0603,C0G,-55DEG CMIN,125DEG CMAX	C1703	2113944M06	CAP,FXD,3.3PF,.1PF+/-,50V-DC,0603,C0G,-55DEG CMIN,125DEG CMAX
C1116	2113945Y02	CAP,FXD,.1UF,+10%,-10%,16V-DC,0402,X7R,-55DEG CMIN,125DEG CMAX	C1150	2175392H01	CAP, 1.2PF, 0402, CERAMIC, 50V	C1506	2113944A40	CAP CER CHP 100.0PF 50V 5%	C1704	2113944M02	CAP,FXD,2.2PF,.1PF+/-,50V-DC,0603,C0G,-55DEG CMIN,125DEG CMAX
C1117	2113945A12	CAP CER CHP 3300PF 50V 10%	C1301	2113944M20	CAP,FXD,12PF,+2%,-2%,50V-DC,0603,C0G,-55DEG CMIN,125DEG CMAX,PB	C1507	2113944A40	CAP CER CHP 100.0PF 50V 5%	C1705	2113944C67	CAP,FXD,1.5PF,.1PF+/-,50V-DC,0603,C0G,-55DEG CMIN,125DEG CMAX
						C1508	2113944C12	CAP CER CHP 1.8PF 50V +/- 0.25PF			
						C1509	2113944C45	CAP CER CHP 100.0PF 50V 5%			

Ref. Des.	Part Number	Description	Ref. Des.	Part Number	Description	Ref. Des.	Part Number	Description	Ref. Des.	Part Number	Description
C1706	NOT PLACED	–	E401	2480640Z01	SURFACE MOUNT FERRITE BEAD	L405	2415427H23	CHIP INDUCTOR	L753	2415347H06	IDCTR, 2200NH
C1707	2113944C45	CAP CER CHP 100.0PF 50V 5%	E402	2480640Z01	SURFACE MOUNT FERRITE BEAD	L406	2415427H11	CHIP INDUCTOR	L802	NOT PLACED	–
C1920	2113946D07	CAP,CHIP,4.7UF,+10%,-10%, 6.3V-DC,0603,X5R,-55DEG CMIN,85DEG CMA	E501	2480640Z01	SURFACE MOUNT FERRITE BEAD	L407	2415427H16	CHIP INDUCTOR	L806	2415429H47	CHIP INDUCTOR
C1922	2113944A40	CAP CER CHP 100.0PF 50V 5%	E601	2480640Z01	SURFACE MOUNT FERRITE BEAD	L408	2415427H21	CHIP INDUCTOR	L817	2414032F41	IDCTR,WW,390NH,10%,200MA, 1.5OHM,CER,40 Q,730MHZ SRF, SM,PB-F
C1923	2113944A40	CAP CER CHP 100.0PF 50V 5%	E602	2480640Z01	SURFACE MOUNT FERRITE BEAD	L501	24012011011	0402 HIGH Q CHIP INDUCTOR	L821	2415429H47	CHIP INDUCTOR
C1924	2113946D07	CAP,CHIP,4.7UF,+10%,-10%, 6.3V-DC,0603,X5R,-55DEG CMIN,85DEG CMA	E603	2480640Z01	SURFACE MOUNT FERRITE BEAD	L502	2415429H30	CHIP INDUCTOR	L846	2414032F41	IDCTR,WW,390NH,10%,200MA, 1.5OHM,CER,40 Q,730MHZ SRF, SM,PB-F
C1925	2113944A40	CAP CER CHP 100.0PF 50V 5%	E604	2480640Z01	SURFACE MOUNT FERRITE BEAD	L503	2414032F38	IDCTR,WW,220NH,5%,400MA, .7OHM,CER,30 Q,630MHZ SRF, SM,PB-FRE	L1001	2415429H37	CHIP INDUCTOR
C1926	2113946B04	CAP CER CHP 0.10UF 10V 10%	E605	2480640Z01	SURFACE MOUNT FERRITE BEAD	L504	2414032F41	IDCTR,WW,390NH,10%,200MA, 1.5OHM,CER,40 Q,730MHZ SRF,SM,PB-F	L1002	2415429H10	CHIP INDUCTOR
C1928	2115153H16	CAP, CERAMIC, COG	E606	2480640Z01	SURFACE MOUNT FERRITE BEAD	L505	2415429H39	CHIP INDUCTOR	L1003	2415429H37	CHIP INDUCTOR
C1929	2115153H20	CAP, CERAMIC, COG	E607	2480640Z01	SURFACE MOUNT FERRITE BEAD	L506	2415429H39	CHIP INDUCTOR	L1007	2460591K40	COIL AIR WOUND INDUC 59.71
C1931	2171051Y05	CAP,CER CHIP,180PF,+1%,-1%, 50V-DC,0	E608	2480640Z01	SURFACE MOUNT FERRITE BEAD	L507	2415427H36	CHIP INDUCTOR	L1009	2415428H02	AIR WOUND INDUCTOR
C1935	2115153H12	CAP, CERAMIC, COG	E609	2480640Z01	SURFACE MOUNT FERRITE BEAD	L508	2415427H17	CHIP INDUCTOR	L1101	2415429H27	CHIP INDUCTOR 36nH 5%
C1936	2115153H31	CAP, CERAMIC, COG	E1101	2405688Z01	INDUCTOR FERRITE BEAD	L509	2415427H17	CHIP INDUCTOR	L1102	2415429H10	CHIP INDUCTOR
C1938	2115153H07	CAP, CERAMIC, COG	E1921	2480640Z01	SURFACE MOUNT FERRITE BEAD	L510	24012011014	0402 HIGH Q CHIP INDUCTOR	L1103	2475393H01	INDUCTOR, 4.7NH, 0402, ?0.1NH
C1939	2115153H12	CAP, CERAMIC, COG	FL401	9175390A01	SAW FILTER, DUAL BAND 769/ 860.5	L511	2478057A13	7.5 NH SURFACE MOUNT INDUCTOR	L1104	0613952R66	CER CHIP RES 0.0 +/-0.050 OHM
C1940	2113944A40	CAP CER CHP 100.0PF 50V 5%	FL402	9175390A01	SAW FILTER, DUAL BAND 769/ 860.5	L601	2415429H43	CHIP INDUCTOR	L1108	2409348J04	IND AIR CORE 5.45NH 5% 2214
C1941	2113946B04	CAP CER CHP 0.10UF 10V 10%	FL501	4885631B01	XTAL FILT 3 POLE 109.65 MOTORO	L602	2466505A01	COIL INDUCTOR	L1114	2475394H01	INDUCTOR, 11NH, 0402, +/-2%
C1942	2115153H38	CAP, CERAMIC, COG	FL1301	9189697V15	FLTR,1.57542GHZ NOM, 1.57642GHZ MIN,1.57442GHZ MAX,50OHM,SM,P	L603	2466505A01	COIL INDUCTOR	L1301	2488090Y07	INDUCTOR,MULTILAYER,3.3NH, 1005,SMD,PB FREE
C1952	2115153H20	CAP, CERAMIC, COG	J101	0909901V02	RECP SMT MCX	L604	2414032D16	IDCTR,WW,120NH,5%,800MA, .26OHM,CER,42 Q,1GHZ SRF, SM,PB-FREE	L1302	2488090Y25	INDUCTOR,MULTILAYER,100NH, 1005,SMD,PB FREE
C1953	2115153H16	CAP, CERAMIC, COG	J102	0975886B01	RECEPTACLE, COAX CABLE	L605	2414017Q54	IDCTR,FXD,3.9UH,10%,30MA, .9OHM,FERR,45 Q,38MHZ SRF, SM,0805,P	L1303	2414017P25	IDCTR,CHIP,100NH,5%,100MA, 5.5OHM,CER,8 Q,650MHZ SRF,SM,0402
C1954	2113944A40	CAP CER CHP 100.0PF 50V 5%	L200	2571269C01	INDUCTOR WW POWER 20%	L701	2415429H47	CHIP INDUCTOR	L1305	2475391H01	INDUCTOR, 18 NH, CHIP, 0402, 2% TOL
C1955	2113946B04	CAP CER CHP 0.10UF 10V 10%	L401	2415427H23	CHIP INDUCTOR	L720	2480646Z20	COIL MULTI-LAYER CHIP(2.20UH)	L1306	2488090Y10	INDUCTOR,MULTILAYER, 5.6NH,1005,SMD,PB FREE
C1956	2115153H16	CAP, CERAMIC, COG	L402	2415427H23	CHIP INDUCTOR	L727	2480646Z20	COIL MULTI-LAYER CHIP(2.20UH)	L1401	2415428H02	AIR WOUND INDUCTOR
C1957	2115153H21	CAP, CERAMIC, COG	L403	2415427H05	CHIP INDUCTOR	L728	2415429H47	CHIP INDUCTOR	L1408	2460591A11	COIL AIR WOUND INDUC 7.66
C1958	2115153H38	CAP, CERAMIC, COG	L404	2415427H23	CHIP INDUCTOR	L733	2480646Z20	COIL MULTI-LAYER CHIP(2.20UH)	L1410	2460591A11	COIL AIR WOUND INDUC 7.66
C1959	2115153H12	CAP, CERAMIC, COG	L405	2415427H23	CHIP INDUCTOR	L735	2480646Z20	COIL MULTI-LAYER CHIP(2.20UH)	L1500	2414015A07	IDCTR,FXD,180NH,2%,750MA, .77OHM,CER,25 Q,700MHZ SRF,SM,1008
C1960	2115153H07	CAP, CERAMIC, COG	L406	2415427H11	CHIP INDUCTOR	L738	2480646Z20	COIL MULTI-LAYER CHIP(2.20UH)	L1501	2415429H14	CHIP INDUCTOR
C1961	2115153H12	CAP, CERAMIC, COG	L407	2415427H16	CHIP INDUCTOR	L741	2480646Z20	COIL MULTI-LAYER CHIP(2.20UH)	L1502	2415429H03	CHIP INDUCTOR
C1963	2115153H21	CAP, CERAMIC, COG	L408	2415427H21	CHIP INDUCTOR				L1503	2415429H18	CHIP INDUCTOR
C1964	2115153H16	CAP, CERAMIC, COG	L501	24012011011	0402 HIGH Q CHIP INDUCTOR				L1504	2415429H02	CHIP INDUCTOR
D200	4813978A19	DIODE,RECT,MBR120,SM,SOD- 123,1A,20V,SHTK,PB-FREE	L502	2415429H30	CHIP INDUCTOR						
D722	4815011H01	DIODE TRIPLE	L503	2414032F38	IDCTR,WW,220NH,5%,400MA, .7OHM,CER,30 Q,630MHZ SRF, SM,PB-FRE						
D723	4815011H01	DIODE TRIPLE	L504	2414032F41	IDCTR,WW,390NH,10%,200MA, 1.5OHM,CER,40 Q,730MHZ SRF,SM,PB-F						
E200	2405688Z01	INDUCTOR FERRITE BEAD	L505	2415429H39	CHIP INDUCTOR						
E201	2405688Z01	INDUCTOR FERRITE BEAD	L506	2415429H39	CHIP INDUCTOR						

Ref. Des.	Part Number	Description	Ref. Des.	Part Number	Description	Ref. Des.	Part Number	Description	Ref. Des.	Part Number	Description
L1505	2460591E24	COIL AIR WOUND INDUC 23.75	M105	3987977Y04	CONT,CONN,1CONT,ANT UNIV 4.5MM,UC 1.8	Q1102	4813973A32	XSTR,BIP GP SS,NPN,SM, SC-70,SMT,50V,.202W,100MA, PB-FREE	R505	0613952R31	CER CHIP RES 180K OHM 5% 0402
L1507	2415385H01	8 NH MINISPRING AIR CORE INDUCTOR	M106	NOT PLACED	–	Q1103	4813970A59	P-CH FET 1.0A 20V SOT-23 T&R	R506	0613952Q53	CER CHIP RES 150 OHM 5 0402
L1510	2415429H37	CHIP INDUCTOR 110nH 5%	P101	2887818K05	PLUG 40PIN MATING CNTCR 1.5MM	Q1104	4813970A59	P-CH FET 1.0A 20V SOT-23 T&R	R507	0613952Q83	CER CHIP RES 2700 OHM 5 0402
L1700	2471902Y05	IDCTR,AW,12.1NH,5%,4.4A,.007OHM,4.3GHZ SRF,SM,PB-FREE	PASTE	1085674C03	PASTE/NC-SMQ230	Q1105	NOT PLACED	–	R508	0613952Q41	CER CHIP RES 47.0 OHM 5% 0402
L1701	2471902Y05	IDCTR,AW,12.1NH,5%,4.4A,.007OHM,4.3GHZ SRF,SM,PB-FREE	PCB	8478167A01	BOARD, PC, PORTABLE UHF2 & 7/800	Q1500	5185633C92	AMP MDL,MODULE,RING, XSTR, FET RF POWER, UHF	R509	0613952Q25	CER CHIP RES 10.0 OHM 5 0402
L1702	2471902Y05	IDCTR,AW,12.1NH,5%,4.4A,.007OHM,4.3GHZ SRF,SM,PB-FREE	Q201	4813970A59	P-CH FET 1.0A 20V SOT-23 T&R	Q1920	4813973A32	XSTR,BIP GP SS,NPN,SM, SC-70,SMT,50V,.202W,100MA, PB-FREE	R511	0613952Q13	CER CHIP RES 3.3 OHM 5 0402
L1908	2478057A07	4.7 NH SURFACE MOUNT INDUCTOR	Q202	4813973A32	XSTR,BIP GP SS,NPN,SM, SC-70,SMT,50V,.202W,100MA, PB-FREE	Q1922	4813973M75	XSTR,BIP GP SS,PNP,BC858, SOT-563,SMT,-30V,.357W, -100MA,100MHZ	R512	NOT PLACED	–
L1909	2478057A23	18 NH SURFACE MOUNT INDUCTOR	Q401	4813973A32	XSTR,BIP GP SS,NPN,SM, SC-70,SMT,50V,.202W,100MA PB-FREE	R101	0613952R01	CER CHIP RES 10K OHM 5% 0402	R597	0613952R66	CER CHIP RES 0.0 +/-0.050 OHM
L1910	2478057A23	18 NH SURFACE MOUNT INDUCTOR	Q402	4813973M75	XSTR,BIP GP SS,PNP,BC858, SOT-563,SMT,-30V,.357W, -100MA,100MHZ	R103	0613952R01	CER CHIP RES 10K OHM 5% 0402	R601	0613952Q41	CER CHIP RES 47.0 OHM 5 0402
L1912	2478057A05	3.9 NH SURFACE MOUNT INDUCTOR	Q403	4813973M75	XSTR,BIP GP SS,PNP,BC858, SOT-563,SMT,-30V,.357W, -100MA,100MHZ	R201	0613952R25	CER CHIP RES 100K OHM 5% 0402	R602	0613952Q63	CER CHIP RES 390 OHM 5 0402
L1913	2478057A23	18 NH SURFACE MOUNT INDUCTOR	Q501	4813973M75	XSTR,BIP GP SS,PNP,BC858, SOT-563,SMT,-30V,.357W, -100MA,100MHZ	R202	0613952Q89	CER CHIP RES 4700 OHM 5 0402	R603	0613952R25	CER CHIP RES 100K OHM 5% 0402
L1914	2478057A23	18 NH SURFACE MOUNT INDUCTOR	Q503	4885316E32	TRANSISTOR, RF	R401	0613952R09	CER CHIP RES 22K OHM 5% 0402	R604	0613952Q63	CER CHIP RES 390 OHM 5 0402
L1915	2478057A35	0306 HIGH Q CHIP INDUCTOR	Q601	4813973A04	XSTR,BIP GP SS,NPN,TA13, SM,SOT-23,SMT,30V,.225W, 300MA,125MHZ,P	R402	0613952R23	CER CHIP RES 82K OHM 5% 0402	R605	0613952R01	CER CHIP RES 10K OHM 5% 0402
L1916	2414017P14	IDCTR,CHIP,12NH,5%,300MA,.6OHM,CER,	Q703	4813973M75	XSTR,BIP GP SS,PNP,BC858, SOT-563,SMT,-30V,.357W, -100MA,100MHZ	R403	0613952Q85	CER CHIP RES 3300 OHM 5 0402	R606	0613952R01	CER CHIP RES 10K OHM 5% 0402
L1917	2478057A36	0306 HIGH Q CHIP INDUCTOR	Q712	4813973M75	XSTR,BIP GP SS,PNP,BC858, SOT-563,SMT,-30V,.357W,- 100MA,100MHZ	R404	0613952Q45	CER CHIP RES 68.0 OHM 5 0402	R607	0613952R25	CER CHIP RES 100K OHM 5% 0402
L1919	2414017P14	IDCTR,CHIP,12NH,5%,300MA,.6OHM,CER,	Q713	4805585Q32	TRANSITOR, NPN RF	R405	0613952Q25	CER CHIP RES 10.0 OHM 5 0402	R608	0613952R01	CER CHIP RES 10K OHM 5% 0402
L1934	2478057A38	0306 HIGH Q CHIP INDUCTOR	Q714	4889394V04	XSTR,FET GEN PURPOSE SMALL SIG,MOSFET,N-CH, ENHN,SM,20V,.25W,P	R406	0613952Q11	CER CHIP RES 2.7 OHM 5 0402	R609	0613952Q81	CER CHIP RES 2200 OHM 5 0402
L1935	2478057A26	24 NH SURFACE MOUNT INDUCTOR	Q774	4885061Y01	XSTR NPN 6V 30UA 12GHZ PB-FREE	R407	0613952R09	CER CHIP RES 22K OHM 5% 0402	R610	0613952R25	CER CHIP RES 100K OHM 5% 0402
L1936	2415429H01	CHIP INDUCTOR	Q842	4805585Q32	TRANSITOR, NPN RF	R408	0613952R23	CER CHIP RES 82K OHM 5% 0402	R611	0613952R01	CER CHIP RES 10K OHM 5% 0402
L1938	NOT PLACED	–	Q1001	5185633C83	AMP MDL,MODULE,RING, XSTR, FET RF PWR,7/800	R409	0613952Q85	CER CHIP RES 3300 OHM 5 0402	R612	0613952Q94	CER CHIP RES 7500 OHM 5 0402
M1	3275623B02	GASKET, THERMAL SPREADER	Q1101	4813973A32	XSTR,BIP GP SS,NPN,SM, SC-70,SMT,50V,.202W,100MA, PB-FREE	R410	0613952Q45	CER CHIP RES 68.0 OHM 5 0402	R613	0613952Q82	CER CHIP RES 2400 OHM 5 0402
M2	75009299001	PAD, THERMAL				R411	0613952Q25	CER CHIP RES 10.0 OHM 5 0402	R614	0613952R66	CER CHIP RES 0.0 +/-0.050 OHM
M3	1104959T01	COATING-CONTACT				R412	0613952Q11	CER CHIP RES 2.7 OHM 5 0402	R615	NOT PLACED	–
M101	2871616H01	CONNECTOR, BPLUS				R413	0613952Q11	CER CHIP RES 2.7 OHM 5 0402	R616	NOT PLACED	–
M103	3987977Y04	CONT,CONN,1CONT,ANT UNIV 4.5MM,UC 1.8				R501	NOT PLACED	–	R617	NOT PLACED	–
M104	NOT PLACED	–				R502	0613952Q45	CER CHIP RES 68.0 OHM 5 0402	R618	NOT PLACED	–
						R503	0613952R10	CER CHIP RES 24K OHM 5 0402	R619	NOT PLACED	–
						R504	0613952Q85	CER CHIP RES 3300 OHM 5 0402	R620	NOT PLACED	–
									R621	NOT PLACED	–
									R623	NOT PLACED	–
									R624	NOT PLACED	–
									R698	0613952R66	CER CHIP RES 0.0 +/-0.050 OHM
									R699	0613952R66	CER CHIP RES 0.0 +/-0.050 OHM

Ref. Des.	Part Number	Description
R701	0613952Q49	CER CHIP RES 100 OHM 5 0402
R702	0613952R66	CER CHIP RES 0.0 +/-0.050 OHM
R703	0613952Q42	CER CHIP RES 51.0 OHM 5 0402
R704	0613952Q42	CER CHIP RES 51.0 OHM 5 0402
R705	0613952Q25	CER CHIP RES 10.0 OHM 5 0402
R706	0613952R66	CER CHIP RES 0.0 +/-0.050 OHM
R707	0613952R66	CER CHIP RES 0.0 +/-0.050 OHM
R708	0613952Q49	CER CHIP RES 100 OHM 5 0402
R709	NOT PLACED	–
R710	NOT PLACED	–
R711	NOT PLACED	–
R712	0613952Q67	CER CHIP RES 560 OHM 5 0402
R713	0613952Q25	CER CHIP RES 10.0 OHM 5 0402
R714	0613952Q67	CER CHIP RES 560 OHM 5 0402
R721	0613952R01	CER CHIP RES 10K OHM 5% 0402
R729	0613952R09	CER CHIP RES 22K OHM 5% 0402
R743	0613952R17	CER CHIP RES 47K OHM 5% 0402
R745	0613952R09	CER CHIP RES 22K OHM 5% 0402
R751	0613952Q59	CER CHIP RES 270 OHM 5 0402
R752	0613952Q91	CER CHIP RES 5600 OHM 5 0402
R753	NOT PLACED	–
R754	NOT PLACED	–
R755	0613952R15	CER CHIP RES 39K OHM 5% 0402
R759	0613952Q69	CER CHIP RES 680 OHM 5 0402
R761	0613952Q57	CER CHIP RES 220 OHM 5% 0402
R762	0613952R02	CER CHIP RES 11K OHM 5 0402
R764	0613952Q75	CER CHIP RES 1200 OHM 5 0402
R767	0613952Q45	CER CHIP RES 68.0 OHM 5 0402
R772	0613952Q37	CER CHIP RES 33.0 OHM 5 0402
R773	0613952Q91	CER CHIP RES 5600 OHM 5 0402
R776	0613952Q39	CER CHIP RES 39.0 OHM 5 0402
R778	0613952Q55	CER CHIP RES 180 OHM 5 0402
R807	0613952R09	CER CHIP RES 22K OHM 5% 0402

Ref. Des.	Part Number	Description
R808	0613952R23	CER CHIP RES 82K OHM 5% 0402
R809	0613952Q91	CER CHIP RES 5600 OHM 5 0402
R811	0613952Q39	CER CHIP RES 39.0 OHM 5 0402
R812	0613952Q47	CER CHIP RES 82.0 OHM 5% 0402
R813	0613952Q69	CER CHIP RES 680 OHM 5 0402
R815	0613952Q34	CER CHIP RES 24.0 OHM 5 0402
R818	0613952Q23	CER CHIP RES 8.2 OHM 5 0402
R819	0613952Q59	CER CHIP RES 270 OHM 5 0402
R822	0613952R08	CER CHIP RES 20K OHM 5 0402
R823	0613952R19	CER CHIP RES 56K OHM 5% 0402
R827	0613952Q92	CER CHIP RES 6200 OHM 5 0402
R832	0613952Q29	CER CHIP RES 15.0 OHM 5 0402
R833	0613952Q49	CER CHIP RES 100 OHM 5 0402
R840	0613952Q29	CER CHIP RES 15.0 OHM 5 0402
R848	0613952Q29	CER CHIP RES 15.0 OHM 5 0402
R849	0613952Q67	CER CHIP RES 560 OHM 5 0402
R1001	0613952R13	CER CHIP RES 33K OHM 5% 0402
R1002	0613952R17	CER CHIP RES 47K OHM 5% 0402
R1003	0613952R01	CER CHIP RES 10K OHM 5% 0402
R1004	0613952R12	CER CHIP RES 30K OHM 5 0402
R1005	0613952Q73	CER CHIP RES 1000 OHM 5 0402
R1006	0613952R66	CER CHIP RES 0.0 +/-0.050 OHM
R1101	0613952R25	CER CHIP RES 100K OHM 5% 0402
R1102	0613952R25	CER CHIP RES 100K OHM 5% 0402
R1103	06009259001	20 MILLIOHM RESISTOR IN 0805 PKG (C87)
R1104	0613952Q49	CER CHIP RES 100 OHM 5 0402
R1105	0613952Q49	CER CHIP RES 100 OHM 5 0402
R1106	0613952Q29	CER CHIP RES 15.0 OHM 5% 0402
R1107	0613952Q45	CER CHIP RES 68.0 OHM 5 0402
R1108	0613952R23	CER CHIP RES 82K OHM 5% 0402

Ref. Des.	Part Number	Description
R1110	0613952R01	CER CHIP RES 10K OHM 5% 0402
R1112	NOT PLACED	–
R1114	0613952Q49	CER CHIP RES 100 OHM 5 0402
R1115	0613952Q49	CER CHIP RES 100 OHM 5 0402
R1116	0613952R01	CER CHIP RES 10K OHM 5% 0402
R1117	0613952R22	CER CHIP RES 75K OHM 5 0402
R1121	0613952R13	CER CHIP RES 33K OHM 5 0402
R1122	0613952R22	CER CHIP RES 75K OHM 5 0402
R1124	0613952Q42	CER CHIP RES 51.0 OHM 5 0402
R1125	0613952R17	CER CHIP RES 47K OHM 5% 0402
R1126	0613952R08	CER CHIP RES 20K OHM 5 0402
R1127	0613952R08	CER CHIP RES 20K OHM 5 0402
R1128	0613952R01	CER CHIP RES 10K OHM 5% 0402
R1129	NOT PLACED	–
R1130	NOT PLACED	–
R1135	0613952R66	CER CHIP RES 0.0 +/-0.050 OHM
R1136	0613952R01	CER CHIP RES 10K OHM 5% 0402
R1137	0613952R01	CER CHIP RES 10K OHM 5% 0402
R1138	0613952R25	CER CHIP RES 100K OHM 5% 0402
R1139	0613952R25	CER CHIP RES 100K OHM 5% 0402
R1140	0613952R25	CER CHIP RES 100K OHM 5% 0402
R1141	0613952R42	CER CHIP RES 510K OHM 5 0402
R1142	0613952R25	CER CHIP RES 100K OHM 5% 0402
R1143	0613952R25	CER CHIP RES 100K OHM 5% 0402
R1144	0613952R25	CER CHIP RES 100K OHM 5% 0402
R1145	0613952R25	CER CHIP RES 100K OHM 5% 0402
R1146	0613952R25	CER CHIP RES 100K OHM 5% 0402
R1151	0613952R01	CER CHIP RES 10K OHM 5% 0402

Ref. Des.	Part Number	Description
R1152	0613952R01	CER CHIP RES 10K OHM 5% 0402
R1154	0613952R01	CER CHIP RES 10K OHM 5% 0402
R1158	NOT PLACED	–
R1160	0613952R03	CER CHIP RES 12K OHM 5% 0402
R1161	0613952R01	CER CHIP RES 10K OHM 5% 0402
R1162	0613952R29	CER CHIP RES 150K OHM 5% 0402
R1163	0613952R01	CER CHIP RES 10K OHM 5% 0402
R1164	0613952R01	CER CHIP RES 10K OHM 5% 0402
R1165	0613952Q56	CER CHIP RES 200 OHM 5 0402
R1166	0613952Q56	CER CHIP RES 200 OHM 5 0402
R1167	0613952R01	CER CHIP RES 10K OHM 5% 0402
R1168	0613952R66	CER CHIP RES 0.0 +/-0.050 OHM
R1169	0613952P52	CER CHIP RES 340K OHM 1 0402
R1170	0613952N88	CER CHIP RES 80.6K OHM 1 0402
R1171	0613952R66	CER CHIP RES 0.0 +/-0.050 OHM
R1172	0613952Q89	CER CHIP RES 4700 OHM 5 0402
R1174	0613952R01	CER CHIP RES 10K OHM 5% 0402
R1175	0613952R66	CER CHIP RES 0.0 +/-0.050 OHM
R1176	0613952Q73	CER CHIP RES 1000 OHM 5 0402
R1177	0613952R66	CER CHIP RES 0.0 +/-0.050 OHM
R1178	0613952R01	CER CHIP RES 10K OHM 5% 0402
R1179	0613952R66	CER CHIP RES 0.0 +/-0.050 OHM
R1180	0613952R66	CER CHIP RES 0.0 +/-0.050 OHM
R1181	NOT PLACED	–
R1182	0613952R01	CER CHIP RES 10K OHM 5% 0402
R1183	0613952Q73	CER CHIP RES 1000 OHM 5% 0402
R1184	0613952Q81	CER CHIP RES 2200 OHM 5% 0402
R1304	NOT PLACED	–

Ref. Des.	Part Number	Description
R1307	0613952Q73	CER CHIP RES 1000 OHM 5 0402
R1500	0613952R66	CER CHIP RES 0.0 +/-0.050 OHM
R1501	NOT PLACED	–
R1502	0613952Q73	CER CHIP RES 1000 OHM 5 0402
R1503	0613952R01	CER CHIP RES 10K OHM 5% 0402
R1504	0613952R13	CER CHIP RES 33K OHM 5% 0402
R1505	0613952R01	CER CHIP RES 10K OHM 5% 0402
R1506	0613952R03	CER CHIP RES 12K OHM 5% 0402
R1906	0613952R01	CER CHIP RES 10K OHM 5% 0402
R1907	0613952R01	CER CHIP RES 10K OHM 5% 0402
R1908	0613952R01	CER CHIP RES 10K OHM 5% 0402
R1909	0613952R01	CER CHIP RES 10K OHM 5% 0402
R1910	0613952Q73	CER CHIP RES 1000 OHM 5% 0402
R1911	0613952Q73	CER CHIP RES 1000 OHM 5% 0402
R1921	0613952R22	CER CHIP RES 75K OHM 5 0402
R1922	0613952R27	CER CHIP RES 120K OHM 5% 0402
R1923	0613952R01	CER CHIP RES 10K OHM 5% 0402
R1924	0613952Q37	CER CHIP RES 33.0 OHM 5 0402
R1925	0613952Q11	CER CHIP RES 2.7 OHM 5 0402
R1935	0613952Q75	CER CHIP RES 1200 OHM 5 0402
R1936	0613952R66	CER CHIP RES 0.0 +/-0.050 OHM
SH1	2675871B01	SHIELD, FGU
SH2	2675872B01	SHIELD, XTAL
SH3	2675873B01	SHIELD, ABACUS
SH4	2675878B01	SHIELD, FRONT END
SH5	2675879B01	SHIELD, DRIVER PA
SH6	2675876B01	SHIELD, VCO
SH7	2675874B01	SHIELD, MIXER
SH8	2675932B01	SHIELD, 2ND LO VCO
SH9	2675934B01	SHIELD, DC

Ref. Des.	Part Number	Description
SH10	2675859B01	SHIELD, OUTPUT MATCH
SH11	2675877B01	SHIELD, ALC
SH12	2675933B01	SHIELD, IF AMP
SH13	2675870B01	SHIELD, HARMONIC FILTER
SH14	2671905H01	SHIELD, REGULATOR
T503	2575851B01	RF TRANSFORMER BALUN
T504	2575851B01	RF TRANSFORMER BALUN
T505	2575851B01	RF TRANSFORMER BALUN
U101	5105443X07	EEPROM 32KBIT SERIAL SPI BUS
U200	5188493T01	IC,VREG/SWG,LP2989,SM,MINI SO-8 HI PRCN REG 5V
U201	5175771A99	LOW NOISE, 100MA LINEAR REGULATOR
U202	5175772B02	LINEAR REGULATOR 100MA 1.8V
U203	5175772B01	LINEAR VOLTAGE REGULATOR 350MA
U402	5180428L15	SW,RF SWITCH,SPDT,SMT,6W, 3V
U403	5180428L15	SW,RF SWITCH,SPDT,SMT,6W, 3V
U404	5180428L15	SW,RF SWITCH,SPDT,SMT,6W, 3V
U405	5180428L15	SW,RF SWITCH,SPDT,SMT,6W, 3V
U406	4885316E32	TRANSISTOR, RF
U407	4885316E32	TRANSISTOR, RF
U408	5103535B53	IC,INVTR,DL,NC7WZ04L6X, 2PER PKG,SC70
U501	5180428L15	SW,RF SWITCH,SPDT,SMT,6W, 3V
U502	5103535B53	IC,INVTR,DL,NC7WZ04L6X, 2PER PKG,SC70
U506	5164852H82	IC, MIXER/ BUFFER
U601	5102495J14	IC,IF,IF DIGITILIZING SUBSYSTEM IC,AD9864,QFN
U602	4885316E32	TRANSISTOR, RF
U603	5109522E84	IC DUAL SCHMITT TRIG MICRO PAK
U604	5109522E84	IC DUAL SCHMITT TRIG MICRO PAK
U605	5164852H16	IC TRANSCEIVER W/LEVEL TRANSLATION

Ref. Des.	Part Number	Description
U606	5164852H16	IC TRANSCEIVER W/LEVEL TRANSLATION
U607	5186311J24	IC,BFR,1BITS,NC7SZ125,ACTIV E HIGH,B
U702	5164015H28	IC,TRIDENT,INTEG SYNTH,RX/ TX BSBND
U703	5175772B06	28-PORT I/O EXPANDER
U708	5171972L01	SP3T RF SWITCH
U709	5171972L01	SP3T RF SWITCH
U710	5171972L01	SP3T RF SWITCH
U711	5171972L01	SP3T RF SWITCH
U746	4805218N63	RF TRANS SOT 323 BFQ67W
U1001	5175143H01	WIDE SUPPLY RANGE OP AMP
U1002	51012101001	VHF/UHF/800/900 MHZ LD MOS DRIVER IC
U1101	5188032U43	IC,SENSING CIRCUIT,INA138, SM,SOT-23/5,1PER PKG
U1102	5175772B03	RECONFIGURABLE 10W SP5T/ 3T RF SWITC
U1103	5185070Y01	IC TEMPERATURE SENSOR PB-FREE
U1104	5185941F56	IC SINGLE LV LP OP AMPLIFIER
U1105	5180390L83	IC,CNTRLR,SM,1PER PKG
U1106	5175772B05	PRECISION RF DETECTOR
U1109	5114007M32	IC,OR,2PER PKG,SM,US8, PB-FREE
U1110	5180428L15	SW,RF SWITCH,SPDT,SMT,6W, 3V
U1111	5175771A26	CMOS FET SWITCH SPDT, 10WATTS
U1112	5175772B04	1 DB LSB GAAS MMIC ATTENUATOR
U1113	5185941F56	IC SINGLE LV LP OP AMPLIFIER
U1114	5185941F56	IC SINGLE LV LP OP AMPLIFIER
U1116	5109522E93	2 INPUT OR GATE IN NANO PACKAGE (C87)
U1117	5103535B53	IC,INVTR,DL,NC7WZ04L6X, 2PER PKG,SC70
U1118	5188085K11	IC, SINGLE NAND GATE, 2-INPUT,POSITIVE, 5 DSBGA, PB-FREE
U1119	5186311J53	IC,AND,DUAL 2-INPUT AND GATE,NC7WZ08,2PER PKG, SM,MSOP

Ref. Des.	Part Number	Description
U1121	5114000B52	IC,XOR,LOGIC LEVEL SHIFTER, 1PER PKG,SM, SOT-353,PB-FREE
U1122	5180428L15	SW,RF SWITCH,SPDT,SMT,6W, 3V
U1123	5188085K11	IC, SINGLE NAND GATE, 2-INPUT,POSITIVE, 5 DSBGA, PB-FREE
U1125	5175206H01	QUAD 12-BIT DAC IC
U1126	5109817F77	IC COMPTR LM7275 5SC70 (D54)
U1127	5171779H01	SPDT ANALOG SWITCH
U1128	5188085K11	IC, SINGLE NAND GATE, 2-INPUT, POSITIVE, 5 DSBGA, PB-FREE
U1129	5175143H01	WIDE SUPPLY RANGE OP AMP
U1130	5175143H01	WIDE SUPPLY RANGE OP AMP
U1131	5109817F77	IC COMPTR LM7275 5SC70 (D54)
U1132	5114007M28	IC,F-F/D,1PER PKG,17SZ74,N-I, SM,SOIC8,PB-FREE
U1133	5171779H01	SPDT ANALOG SWITCH
U1136	5109522E94	2 INPUT AND GATE IN NANO PACKAGE (C87)
U1137	5164852H16	IC TRANSCEIVER W/LEVEL TRANSLATION
U1138	5164852H16	IC TRANSCEIVER W/LEVEL TRANSLATION
U1139	5164852H16	IC TRANSCEIVER W/LEVEL TRANSLATION
U1140	5171779H01	SPDT ANALOG SWITCH
U1141	5185941F56	IC SINGLE LV LP OP AMPLIFIER
U1142	5185941F56	IC SINGLE LV LP OP AMPLIFIER
U1143	5185941F56	IC SINGLE LV LP OP AMPLIFIER
U1144	5171779H01	SPDT ANALOG SWITCH
U1145	5171779H01	SPDT ANALOG SWITCH
U1146	5109522E93	2 INPUT OR GATE IN NANO PACKAGE (C87)
U1147	5109522E94	2 INPUT AND GATE IN NANO PACKAGE (C87)
U1148	5185941F56	IC SINGLE LV LP OP AMPLIFIER
U1304	5105739X13	IC, SIGE GPS LOW NOISE AMP 1575 MHZ

Ref. Des.	Part Number	Description
U1500	51012101001	VHF/UHF/800/900 MHZ LDMOS DRIVER IC
U1501	5175143H01	WIDE SUPPLY RANGE OP AMP
U1932	4885316E32	TRANSISTOR, RF
VR101	4813977M29	DIODE,VREF,MBZ5250,SM,SOT-23,20V,.225W,ZEN
VR200	4813977M29	DIODE,VREF,MBZ5250,SM,SOT-23,20V,.225W,ZEN
VR601	4805656W87	DIODE,VCTR, @ 15V,1SV279, SOD-523/SC-79
VR602	4805656W87	DIODE,VCTR, @ 15V,1SV279,SOD-523/SC-79
VR1905	4815096H01	VARACTOR DIODE 1SV305
VR1906	4815096H01	VARACTOR DIODE 1SV305
VR1907	4815096H01	VARACTOR DIODE 1SV305
VR1908	4815096H01	VARACTOR DIODE 1SV305
VR1910	4815096H01	VARACTOR DIODE 1SV305
VR1920	4815096H01	VARACTOR DIODE 1SV305
Y701	4871886H01	16.8 MHZ VCTXO .8PPM
Y704	5164852H68	IC, VCO MODULE
Y705	5164852H66	IC, VCO MODULE
Y706	5164852H65	IC, VCO MODULE
Y707	5164852H67	IC, VCO MODULE

MNUS4002B UHF2 / 700–800 MHz Transceiver (RF) Board Parts List

Ref. Des.	Part Number	Description
C101	2113944A46	CAP CER CHP 330.0 PF 50V 5%
C200	2113945B02	CAP CER CHP 10,000PF 25V 10%
C201	2188468Y01	CAP CER 25V X7R 0805 1UF
C202	2188468Y01	CAP CER 25V X7R 0805 1UF
C203	2188468Y01	CAP CER 25V X7R 0805 1UF
C204	2113955D35	CAP,FXD,4.7UF,+10%,-10%,16V-DC,1206,X7R,-55DEG CMIN,125DEG CMAX
C205	2113955D35	CAP,FXD,4.7UF,+10%,-10%,16V-DC,1206,X7R,-55DEG CMIN,125DEG CMAX
C206	2113945B02	CAP CER CHP 10,000PF 25V 10%
C207	2113956B91	CAP,FXD,1UF,+10%,-10%,16V-DC,0603,X5R,-55DEG CMIN,85DEG CMAX,PB
C208	2113956B91	CAP,FXD,1UF,+10%,-10%,16V-DC,0603,X5R,-55DEG CMIN,85DEG CMAX,PB
C209	2113956B91	CAP,FXD,1UF,+10%,-10%,16V-DC,0603,X5R,-55DEG CMIN,85DEG CMAX,PB
C210	2113956B91	CAP,FXD,1UF,+10%,-10%,16V-DC,0603,X5R,-55DEG CMIN,85DEG CMAX,PB
C212	2113946D07	CAP,CHIP,4.7UF,+10%,-10%,6.3V-DC,0603,X5R,-55DEG CMIN,85DEG CMA
C213	2113944A46	CAP CER CHP 330.0 PF 50V 5%
C214	2113944A31	CAP CER CHP 33.0PF 50V 5%
C215	2113944A46	CAP CER CHP 330.0 PF 50V 5%
C216	2113944A31	CAP CER CHP 33.0PF 50V 5%
C217	2113956B91	CAP,FXD,1UF,+10%,-10%,16V-DC,0603,X5R,-55DEG CMIN,85DEG CMAX,PB
C402	2113944A31	CAP CER CHP 33.0PF 50V 5%
C404	2113944A31	CAP CER CHP 33.0PF 50V 5%
C405	2113944A31	CAP CER CHP 33.0PF 50V 5%
C406	2113944A31	CAP CER CHP 33.0PF 50V 5%
C407	2113944A31	CAP CER CHP 33.0PF 50V 5%
C408	0613952R66	CER CHIP RES 0.0 +/-0.050 OHM

Ref. Des.	Part Number	Description
C409	0613952R66	CER CHIP RES 0.0 +/-0.050 OHM
C410	0613952R66	CER CHIP RES 0.0 +/-0.050 OHM
C411	0613952R66	CER CHIP RES 0.0 +/-0.050 OHM
C412	2113944A27	CAP CER CHP 15.0PF 50V 5%
C413	2113944A33	CAP CER CHP 47.0PF 50V 5%
C414	0613952R66	CER CHIP RES 0.0 +/-0.050 OHM
C415	0613952R66	CER CHIP RES 0.0 +/-0.050 OHM
C416	2113944A31	CAP CER CHP 33.0PF 50V 5%
C417	2113944A31	CAP CER CHP 33.0PF 50V 5%
C418	2113944A31	CAP CER CHP 33.0PF 50V 5%
C419	2113944A31	CAP CER CHP 33.0PF 50V 5%
C421	2113946D07	CAP,CHIP,4.7UF,+10%,-10%,6.3V-DC,0603,X5R,-55DEG CMIN,85DEG CMA
C422	2113944A31	CAP CER CHP 33.0PF 50V 5%
C423	2113944A21	CAP CER CHP 6.8PF 50V +/- 0.5PF
C424	2113944A31	CAP CER CHP 33.0PF 50V 5%
C425	2113944A12	CAP CER CHP 3.0PF 50V +/- 0.25PF
C426	2113944A63	CAP,FXD,1PF,.25PF+/-,50V-DC,0402,C0G,-55DEG CMIN,125DEG CMAX,P
C427	2113946D07	CAP,CHIP,4.7UF,+10%,-10%,6.3V-DC,0603,X5R,-55DEG CMIN,85DEG CMA
C428	2113946D07	CAP,CHIP,4.7UF,+10%,-10%,6.3V-DC,0603,X5R,-55DEG CMIN,85DEG CMA
C429	2113944A31	CAP CER CHP 33.0PF 50V 5%
C430	2113944A21	CAP CER CHP 6.8PF 50V +/- 0.5PF
C431	2113944A31	CAP CER CHP 33.0PF 50V 5%
C432	2113944A12	CAP CER CHP 3.0PF 50V +/- 0.25PF
C433	2113944A61	CAP,FXD,.5PF,.25PF+/-,50V-DC,0402,C0G,-55DEG CMIN,125DEG CMAX
C434	2113946D07	CAP,CHIP,4.7UF,+10%,-10%,6.3V-DC,0603,X5R,-55DEG CMIN,85DEG CMA
C501	2115153H40	CAP, CERAMIC, COG
C502	2115153H12	CAP, CERAMIC, COG

Ref. Des.	Part Number	Description
C503	2113944V13	CAP,FXD,2.7PF,.1PF+/-,50V-DC,0402,C0G,-55DEG CMIN,125DEG CMAX
C504	2113944A40	CAP CER CHP 100.0PF 50V 5%
C505	2113946B04	CAP CER CHP 0.10UF 10V 10%
C506	2113946B04	CAP CER CHP 0.10UF 10V 10%
C507	2115153H40	CAP, CERAMIC, COG
C508	2113945A09	CAP CER CHP 1000PF 50V 10%
C509	2113945A09	CAP CER CHP 1000PF 50V 10%
C510	2113944A52	CAP CER CHP 1000.0 PF 50V 5%
C511	2113944A40	CAP CER CHP 100.0PF 50V 5%
C512	2113944A31	CAP CER CHP 33.0PF 50V 5%
C513	2113944A40	CAP CER CHP 100.0PF 50V 5%
C514	2113944A84	CAP,FXD,43PF,+5%,-5%,50V-DC,0402,C0G,-55DEG CMIN,125DEG CMAX,PB
C515	2113944A21	CAP CER CHP 6.8PF 50V +/- 0.5PF
C516	2113944A11	CAP CER CHP 2.7PF 50V +/- 0.25PF
C517	2113946B04	CAP CER CHP 0.10UF 10V 10%
C518	2113945A09	CAP CER CHP 1000PF 50V 10%
C519	2113944A28	CAP CER CHP 18.0PF 50V 5%
C520	2113945A09	CAP CER CHP 1000PF 50V 10%
C521	2113945A09	CAP CER CHP 1000PF 50V 10%
C522	2113944A27	CAP CER CHP 15.0PF 50V 5%
C523	2113944A48	CAP CER CHP 470.0 PF 50V 5%
C524	2113944A30	CAP CER CHP 27.0PF 50V 5%
C525	2115153H03	CAP, CERAMIC, COG
C526	2113944V13	CAP,FXD,2.7PF,.1PF+/-,50V-DC,0402,C0G,-55DEG CMIN,125DEG CMAX
C527	2113944V07	CAP,FXD,1.5PF,.1PF+/-,50V-DC,0402,C0G,-55DEG CMIN,125DEG CMAX
C528	2113944A40	CAP CER CHP 100.0PF 50V 5%
C529	2113944A40	CAP CER CHP 100.0PF 50V 5%
C601	2113945B02	CAP CER CHP 10,000PF 25V 10%
C602	2113945B02	CAP CER CHP 10,000PF 25V 10%
C603	2113945B02	CAP CER CHP 10,000PF 25V 10%

Ref. Des.	Part Number	Description	Ref. Des.	Part Number	Description	Ref. Des.	Part Number	Description	Ref. Des.	Part Number	Description
C806	2113946B06	CAP,CHIP,22UF,+10%,-10%,10V-DC,0402,X5R,-55DEG CMIN,85DEG CMAX	C1015	2113944M30	CAP,FXD,33PF,+2%,-2%,50V-DC,0603,C0G,-55DEG CMIN,125DEG CMAX,PB	C1118	2113945B02	CAP CER CHP 10,000PF 25V 10%	C1302	2114036F74	CAP,FXD,1.8PF,.05PF+/-,25V-DC,C0G,-55DEG CMIN,125DEG CMAX,PB-
C810	2113944A44	CAP CER CHP 220.0 PF 50V 5%	C1018	2113944M30	CAP,FXD,33PF,+2%,-2%,50V-DC,0603,C0G,-55DEG CMIN,125DEG CMAX,PB	C1119	2113945B02	CAP CER CHP 10,000PF 25V 10%	C1303	2113944A26	CAP CER CHP 12.0PF 50V 5%
C813	2113944A63	CAP,FXD,1PF,.25PF+/-,50V-DC,0402,C0G,-55DEG CMIN,125DEG CMAX,P	C1019	21009257001	CAP 18.0 PF 5%	C1120	2113945B02	CAP CER CHP 10,000PF 25V 10%	C1304	2113945A09	CAP CER CHP 1000PF 50V 10%
C814	2113945A09	CAP CER CHP 1000PF 50V 10%	C1020	2113944C14	CAP CER CHP 2.2PF 50V +/- 0.25PF	C1122	2175390H01	CAP, 2.2 PF, 0402, CERAMIC, 50V	C1305	2113944A30	CAP CER CHP 27.0PF 50V 5%
C816	2113944A31	CAP CER CHP 33.0PF 50V 5%	C1021	2113944C23	CAP CER CHP 5.1PF 50V +/- 0.5PF	C1123	2113945B02	CAP CER CHP 10,000PF 25V 10%	C1306	2113945B02	CAP CER CHP 10,000PF 25V 10%
C820	2113944A44	CAP CER CHP 220.0 PF 50V 5%	C1022	2113944M30	CAP,FXD,33PF,+2%,-2%,50V-DC,0603,C0G,-55DEG CMIN,125DEG CMAX,PB	C1124	2113945A13	CAP CER CHP 4700PF 50V 10%	C1307	2113944A26	CAP CER CHP 12.0PF 50V 5%
C830	2113944A44	CAP CER CHP 220.0 PF 50V 5%	C1023	2113944M24	CAP,FXD,18PF,+2%,-2%,50V-DC,0603,C0G,-55DEG CMIN,125DEG CMAX,PB	C1125	NOT PLACED	-	C1308	2113944A28	CAP CER CHP 18.0PF 50V 5%
C831	2113944A40	CAP CER CHP 100.0PF 50V 5%	C1024	2113945A12	CAP CER CHP 3300PF 50V 10%	C1126	2113945A09	CAP CER CHP 1000PF 50V 10%	C1309	2175389H01	CAP,.5PF,CHIP,0402,CERAMIC,50 V
C836	2113944A33	CAP CER CHP 47.0PF 50V 5%	C1025	2113945A12	CAP CER CHP 3300PF 50V 10%	C1127	2113945Y02	CAP,FXD,.1UF,+10%,-10%,16V-DC,0402,X7R,-55DEG CMIN,125DEG CMAX	C1310	2113944A17	CAP CER CHP 4.7PF 50V +/- 0.25PF
C838	2113945A09	CAP CER CHP 1000PF 50V 10%	C1101	2113945B02	CAP CER CHP 10,000PF 25V 10%	C1128	2113945B02	CAP CER CHP 10,000PF 25V 10%	C1411	2113944C36	CAP CER CHP 33.0PF 50V 5%
C844	2113944A33	CAP CER CHP 47.0PF 50V 5%	C1102	2188468Y01	CAP CER 25V X7R 0805 1UF	C1129	2113945B02	CAP CER CHP 10,000PF 25V 10%	C1413	2113944C62	CAP,FXD,.75PF,.1PF+/-,50V-DC,0603,C0G,-55DEG CMIN,125DEG CMAX
C851	2113944A44	CAP CER CHP 220.0 PF 50V 5%	C1103	2113945B02	CAP CER CHP 10,000PF 25V 10%	C1130	2113945B02	CAP CER CHP 10,000PF 25V 10%	C1414	2113944C63	CAP,FXD,1PF,.1PF+/-,50V-DC,0603,C0G,-55DEG CMIN,125DEG CMAX,PB
C1001	2113944M30	CAP,FXD,33PF,+2%,-2%,50V-DC,0603,C0G,-55DEG CMIN,125DEG CMAX,PB	C1104	NOT PLACED	-	C1132	NOT PLACED	-	C1418	2113944C13	CAP CER CHP 2.0PF 50V +/- 0.25PF
C1002	2113944C22	CAP CER CHP 4.7PF 50V +/- 0.25PF	C1105	2113944A19	CAP CER CHP 5.6PF 50V +/- 0.5PF	C1134	2113945B02	CAP CER CHP 10,000PF 25V 10%	C1419	NOT PLACED	-
C1003	2113945C02	CAP CER CHP 10,000PF 50V 10%	C1106	2113945B02	CAP CER CHP 10,000PF 25V 10%	C1135	NOT PLACED	-	C1424	2113944C63	CAP,FXD,1PF,.1PF+/-,50V-DC,0603,C0G
C1004	2113944M30	CAP,FXD,33PF,+2%,-2%,50V-DC,0603,C0G,-55DEG CMIN,125DEG CMAX,PB	C1107	2113944A40	CAP CER CHP 100.0PF 50V 5%	C1137	2113945B04	CAP,FXD,.022UF,+10%,-10%,25V-DC,0402,X7R,-55DEG CMIN,125DEG CMA	C1425	2113944C61	CAP,FXD,.5PF,.1PF+/-,50V-DC,0603,C0G,-55DEG CMIN,125DEG CMAX,P
C1005	2113944M30	CAP,FXD,33PF,+2%,-2%,50V-DC,0603,C0G,-55DEG CMIN,125DEG CMAX,PB	C1108	2113945B04	CAP,FXD,.022UF,+10%,-10%,25V-DC,04	C1138	2113945B04	CAP,FXD,.022UF,+10%,-10%,25V-DC,0402,X7R,-55DEG CMIN,125DEG CMA	C1500	2113944C45	CAP CER CHP 100.0PF 50V 5%
C1006	2113945C02	CAP CER CHP 10,000PF 50V 10%	C1109	2113944A40	CAP CER CHP 100.0PF 50V 5%	C1139	2113944A25	CAP CER CHP 10.0PF 50V +/- 0.5PF	C1501	2113945C02	CAP CER CHP 10,000PF 50V 10%
C1007	2113944M30	CAP,FXD,33PF,+2%,-2%,50V-DC,0603,C0G,-55DEG CMIN,125DEG CMAX,PB	C1110	2113944A40	CAP CER CHP 100.0PF 50V 5%	C1140	2113945A13	CAP CER CHP 4700PF 50V 10%	C1502	2113944C45	CAP CER CHP 100.0PF 50V 5%
C1008	2113944M30	CAP,FXD,33PF,+2%,-2%,50V-DC,0603,C0G,-55DEG CMIN,125DEG CMAX,PB	C1111	2113945Y02	CAP,FXD,.1UF,+10%,-10%,16V-DC,0402,X7R,-55DEG CMIN,125DEG CMAX	C1141	2113945Y02	CAP,FXD,.1UF,+10%,-10%,16V-DC,0402,X7R,-55DEG CMIN,125DEG CMAX	C1503	2113944C45	CAP CER CHP 100.0PF 50V 5%
C1009	2113944M30	CAP,FXD,33PF,+2%,-2%,50V-DC,0603,C0G,-55DEG CMIN,125DEG CMAX,PB	C1112	2113945B01	CAP CER CHP 6800PF 25V 10%	C1142	2113945A09	CAP CER CHP 1000PF 50V 10%	C1504	2113945C02	CAP CER CHP 10,000PF 50V 10%
C1010	2113945C02	CAP CER CHP 10,000PF 50V 10%	C1113	2113945B02	CAP CER CHP 10,000PF 25V 10%	C1149	2113944A40	CAP CER CHP 100.0PF 50V 5%	C1505	2113944M20	CAP,FXD,5.6PF,.1PF+/-,50V-DC,0603,C0G,-55DEG CMIN,125DEG CMAX
C1013	2113944M21	CAP,FXD,13PF,+2%,-2%,50V-DC,0603,C0G,-55DEG CMIN,125DEG CMAX,PB	C1116	2113945Y02	CAP,FXD,.1UF,+10%,-10%,16V-DC,0402,X7R,-55DEG CMIN,125DEG CMAX	C1150	2175392H01	CAP, 1.2PF, 0402, CERAMIC, 50V	C1506	2113944A40	CAP CER CHP 100.0PF 50V 5%
C1014	NOT PLACED	-	C1117	2113945A12	CAP CER CHP 3300PF 50V 10%	C1301	2113944M20	CAP,FXD,12PF,+2%,-2%,50V-DC,0603,C0G,-55DEG CMIN,125DEG CMAX,PB	C1507	2113944A40	CAP CER CHP 100.0PF 50V 5%
									C1508	2113944C12	CAP CER CHP 1.8PF 50V +/- 0.25PF
									C1509	2113944C45	CAP CER CHP 100.0PF 50V 5%

Ref. Des.	Part Number	Description	Ref. Des.	Part Number	Description	Ref. Des.	Part Number	Description	Ref. Des.	Part Number	Description
C1510	2113944M26	CAP,FXD,22PF,+2%,-2%,50V-DC,0603,C0G,-55DEG CMIN,125DEG CMAX,PB	C1706	NOT PLACED	–	E401	2480640Z01	SURFACE MOUNT FERRITE BEAD	L405	2415427H23	CHIP INDUCTOR
C1511	2113944M30	CAP,FXD,33PF,+2%,-2%,50V-DC,0603,C0G,-55DEG CMIN,125DEG CMAX,PB	C1707	2113944C45	CAP CER CHP 100.0PF 50V 5%	E402	2480640Z01	SURFACE MOUNT FERRITE BEAD	L406	2415427H11	CHIP INDUCTOR
C1512	NOT PLACED	–	C1920	2113946D07	CAP,CHIP,4.7UF,+10%,-10%,6.3V-DC,0603,X5R,-55DEG CMIN,85DEG CMA	E501	2480640Z01	SURFACE MOUNT FERRITE BEAD	L407	2415427H16	CHIP INDUCTOR
C1513	2113944C45	CAP CER CHP 100.0PF 50V 5%	C1922	2113944A40	CAP CER CHP 100.0PF 50V 5%	E601	2480640Z01	SURFACE MOUNT FERRITE BEAD	L408	2415427H21	CHIP INDUCTOR
C1514	2113945C02	CAP CER CHP 10,000PF 50V 10%	C1923	2113944A40	CAP CER CHP 100.0PF 50V 5%	E602	2480640Z01	SURFACE MOUNT FERRITE BEAD	L501	24012011011	0402 HIGH Q CHIP INDUCTOR
C1516	21007088001	0805 CAPACITOR	C1924	2113946D07	CAP,CHIP,4.7UF,+10%,-10%,6.3V-DC,0603,X5R,-55DEG CMIN,85DEG CMA	E603	2480640Z01	SURFACE MOUNT FERRITE BEAD	L502	2415429H30	CHIP INDUCTOR
C1517	2171741M08	HIGH Q CAP, 22 PF	C1925	2113944A40	CAP CER CHP 100.0PF 50V 5%	E604	2480640Z01	SURFACE MOUNT FERRITE BEAD	L503	2414032F38	IDCTR,WW,220NH,5%,400MA,.70HM,CER,30 Q,630MHZ SRF,SM,PB-FRE
C1518	21007088007	0805 CAPACITOR	C1926	2113946B04	CAP CER CHP 0.10UF 10V 10%	E605	2480640Z01	SURFACE MOUNT FERRITE BEAD	L504	2414032F41	IDCTR,WW,390NH,10%,200MA,1.50HM,CER,40 Q,730MHZ SRF,SM,PB-F
C1519	NOT PLACED	–	C1928	2115153H16	CAP, CERAMIC, COG	E606	2480640Z01	SURFACE MOUNT FERRITE BEAD	L505	2415429H39	CHIP INDUCTOR
C1520	21007088005	0805 CAPACITOR	C1929	2115153H20	CAP, CERAMIC, COG	E607	2480640Z01	SURFACE MOUNT FERRITE BEAD	L506	2415429H39	CHIP INDUCTOR
C1521	2113944C45	CAP CER CHP 100.0PF 50V 5%	C1931	2171051Y05	CAP,CER CHIP,180PF,+1%,-1%,50V-DC,0	E608	2480640Z01	SURFACE MOUNT FERRITE BEAD	L507	2415427H36	CHIP INDUCTOR
C1522	2113944A40	CAP CER CHP 100.0PF 50V 5%	C1935	2115153H12	CAP, CERAMIC, COG	E609	2480640Z01	SURFACE MOUNT FERRITE BEAD	L508	2415427H17	CHIP INDUCTOR
C1523	NOT PLACED	–	C1936	2115153H31	CAP, CERAMIC, COG	E1101	2405688Z01	INDUCTOR FERRITE BEAD	L509	2415427H17	CHIP INDUCTOR
C1525	2113945Y02	CAP,FXD,.1UF,+10%,-10%,16V-DC,0402,X7R,-55DEG CMIN,125DEG CMAX	C1938	2115153H07	CAP, CERAMIC, COG	E1921	2480640Z01	SURFACE MOUNT FERRITE BEAD	L510	24012011014	0402 HIGH Q CHIP INDUCTOR
C1526	2113945Y02	CAP,FXD,.1UF,+10%,-10%,16V-DC,0402,X7R,-55DEG CMIN,125DEG CMAX	C1939	2115153H12	CAP, CERAMIC, COG	F200	6575834B01	FUSE SURFACE MOUNT	L511	2478057A13	7.5 NH SURFACE MOUNT INDUCTOR
C1527	21007088006	0805 CAPACITOR	C1940	2113944A40	CAP CER CHP 100.0PF 50V 5%	FL401	9175390A01	SAW FILTER, DUAL BAND 769/860.5	L601	2415429H43	CHIP INDUCTOR
C1598	2113945A12	CAP CER CHP 3300PF 50V 10%	C1941	2113946B04	CAP CER CHP 0.10UF 10V 10%	FL402	9175390A01	SAW FILTER, DUAL BAND 769/860.5	L602	2466505A01	COIL INDUCTOR
C1599	2113945A12	CAP CER CHP 3300PF 50V 10%	C1942	2115153H38	CAP, CERAMIC, COG	FL501	91009295001	FLTR,BANDPASS,109.65MHZ NOM,FILTER,MONOLITHIC CRYSTAL,BAND	L603	2466505A01	COIL INDUCTOR
C1700	2113944M06	CAP,FXD,3.3PF,.1PF+/-,50V-DC,0603,C0G,-55DEG CMIN,125DEG CMAX	C1952	2115153H20	CAP, CERAMIC, COG	FL1301	9189697V15	FLTR,1.57542GHZ NOM,1.57642GHZ MIN,1.57442GHZ MAX,50OHM,SM,P	L604	2414032D16	IDCTR,WW,120NH,5%,800MA,.260HM,CER,42 Q,1GHZ SRF,SM,PB-FREE
C1701	2113944M14	CAP,FXD,6.8PF,.1PF+/-,50V-DC,0603,C0G,-55DEG CMIN,125DEG CMAX	C1953	2115153H16	CAP, CERAMIC, COG	J101	0909901V02	RECP SMT MCX	L605	2414017Q54	IDCTR,FXD,3.9UH,10%,30MA,.90HM,FERR,45 Q,38MHZ SRF,SM,0805,P
C1702	2113944M15	CAP,FXD,7.5PF,.1PF+/-,50V-DC,0603,C0G,-55DEG CMIN,125DEG CMAX	C1954	2113944A40	CAP CER CHP 100.0PF 50V 5%	J102	0975886B01	RECEPTACLE, COAX CABLE	L701	2415429H47	CHIP INDUCTOR
C1703	2113944M06	CAP,FXD,3.3PF,.1PF+/-,50V-DC,0603,C0G,-55DEG CMIN,125DEG CMAX	C1955	2113946B04	CAP CER CHP 0.10UF 10V 10%	L200	2571269C01	INDUCTOR WW POWER 20%	L720	2480646Z20	COIL MULTI-LAYER CHIP(2.20UH)
C1704	2113944M02	CAP,FXD,2.2PF,.1PF+/-,50V-DC,0603,C0G,-55DEG CMIN,125DEG CMAX	C1956	2115153H16	CAP, CERAMIC, COG	L401	2415427H23	CHIP INDUCTOR	L727	2480646Z20	COIL MULTI-LAYER CHIP(2.20UH)
C1705	2113944C67	CAP,FXD,1.5PF,.1PF+/-,50V-DC,0603,C0G,-55DEG CMIN,125DEG CMAX	C1957	2115153H21	CAP, CERAMIC, COG	L402	2415427H23	CHIP INDUCTOR	L728	2415429H47	CHIP INDUCTOR
			C1958	2115153H38	CAP, CERAMIC, COG	L403	2415427H05	CHIP INDUCTOR	L735	2480646Z20	COIL MULTI-LAYER CHIP(2.20UH)
			C1959	2115153H12	CAP, CERAMIC, COG	L404	2415427H23	CHIP INDUCTOR	L738	2480646Z20	COIL MULTI-LAYER CHIP(2.20UH)
			C1960	2115153H07	CAP, CERAMIC, COG				L741	2480646Z20	COIL MULTI-LAYER CHIP(2.20UH)
			C1961	2115153H12	CAP, CERAMIC, COG						
			C1963	2115153H21	CAP, CERAMIC, COG						
			C1964	2115153H16	CAP, CERAMIC, COG						
			D200	4813978A19	DIODE,RECT,MBR120,SM,SOD-123,1A,20V,SHTK,PB-FREE						
			D722	4815011H01	DIODE TRIPLE						
			D723	4815011H01	DIODE TRIPLE						
			E200	2405688Z01	INDUCTOR FERRITE BEAD						
			E201	2405688Z01	INDUCTOR FERRITE BEAD						

Ref. Des.	Part Number	Description
R505	0613952R31	CER CHIP RES 180K OHM 5% 0402
R506	0613952Q53	CER CHIP RES 150 OHM 5 0402
R507	0613952Q83	CER CHIP RES 2700 OHM 5 0402
R508	0613952Q41	CER CHIP RES 47.0 OHM 5% 0402
R509	0613952Q25	CER CHIP RES 10.0 OHM 5 0402
R511	0613952Q13	CER CHIP RES 3.3 OHM 5 0402
R512	NOT PLACED	–
R597	0613952R66	CER CHIP RES 0.0 +/-0.050 OHM
R601	0613952Q41	CER CHIP RES 47.0 OHM 5 0402
R602	0613952Q63	CER CHIP RES 390 OHM 5 0402
R603	0613952R25	CER CHIP RES 100K OHM 5% 0402
R604	0613952Q63	CER CHIP RES 390 OHM 5 0402
R605	0613952R01	CER CHIP RES 10K OHM 5% 0402
R606	0613952R01	CER CHIP RES 10K OHM 5% 0402
R607	0613952R25	CER CHIP RES 100K OHM 5% 0402
R608	0613952R01	CER CHIP RES 10K OHM 5% 0402
R609	0613952Q81	CER CHIP RES 2200 OHM 5 0402
R610	0613952R25	CER CHIP RES 100K OHM 5% 0402
R611	0613952R01	CER CHIP RES 10K OHM 5% 0402
R612	0613952Q94	CER CHIP RES 7500 OHM 5 0402
R613	0613952Q82	CER CHIP RES 2400 OHM 5 0402
R614	0613952R66	CER CHIP RES 0.0 +/-0.050 OHM
R615	NOT PLACED	–
R616	NOT PLACED	–
R617	NOT PLACED	–
R618	NOT PLACED	–
R619	NOT PLACED	–
R620	NOT PLACED	–
R621	NOT PLACED	–
R623	NOT PLACED	–
R624	NOT PLACED	–
R698	0613952R66	CER CHIP RES 0.0 +/-0.050 OHM
R699	0613952R66	CER CHIP RES 0.0 +/-0.050 OHM

Ref. Des.	Part Number	Description
R701	0613952Q49	CER CHIP RES 100 OHM 5 0402
R702	0613952R66	CER CHIP RES 0.0 +/-0.050 OHM
R703	0613952Q42	CER CHIP RES 51.0 OHM 5 0402
R704	0613952Q42	CER CHIP RES 51.0 OHM 5 0402
R705	0613952Q25	CER CHIP RES 10.0 OHM 5 0402
R706	0613952R66	CER CHIP RES 0.0 +/-0.050 OHM
R707	0613952R66	CER CHIP RES 0.0 +/-0.050 OHM
R708	0613952Q49	CER CHIP RES 100 OHM 5 0402
R709	NOT PLACED	–
R710	NOT PLACED	–
R711	NOT PLACED	–
R712	0613952Q67	CER CHIP RES 560 OHM 5 0402
R713	0613952Q25	CER CHIP RES 10.0 OHM 5 0402
R714	0613952Q67	CER CHIP RES 560 OHM 5 0402
R721	0613952R01	CER CHIP RES 10K OHM 5% 0402
R729	0613952R09	CER CHIP RES 22K OHM 5% 0402
R743	0613952R17	CER CHIP RES 47K OHM 5% 0402
R745	0613952R09	CER CHIP RES 22K OHM 5% 0402
R751	0613952Q59	CER CHIP RES 270 OHM 5 0402
R752	0613952Q91	CER CHIP RES 5600 OHM 5 0402
R753	NOT PLACED	–
R754	NOT PLACED	–
R755	0613952R15	CER CHIP RES 39K OHM 5% 0402
R759	0613952Q69	CER CHIP RES 680 OHM 5 0402
R761	0613952Q57	CER CHIP RES 220 OHM 5% 0402
R762	0613952R02	CER CHIP RES 11K OHM 5 0402
R764	0613952Q75	CER CHIP RES 1200 OHM 5 0402
R767	0613952Q45	CER CHIP RES 68.0 OHM 5 0402
R772	0613952Q37	CER CHIP RES 33.0 OHM 5 0402
R773	0613952Q91	CER CHIP RES 5600 OHM 5 0402
R776	0613952Q39	CER CHIP RES 39.0 OHM 5 0402
R778	0613952Q55	CER CHIP RES 180 OHM 5 0402
R807	0613952R09	CER CHIP RES 22K OHM 5% 0402

Ref. Des.	Part Number	Description
R808	0613952R23	CER CHIP RES 82K OHM 5% 0402
R809	0613952Q91	CER CHIP RES 5600 OHM 5 0402
R811	0613952Q39	CER CHIP RES 39.0 OHM 5 0402
R812	0613952Q47	CER CHIP RES 82.0 OHM 5% 0402
R813	0613952Q69	CER CHIP RES 680 OHM 5 0402
R815	0613952Q34	CER CHIP RES 24.0 OHM 5 0402
R818	0613952Q23	CER CHIP RES 8.2 OHM 5 0402
R819	0613952Q59	CER CHIP RES 270 OHM 5 0402
R822	0613952R08	CER CHIP RES 20K OHM 5 0402
R823	0613952R19	CER CHIP RES 56K OHM 5% 0402
R827	0613952Q92	CER CHIP RES 6200 OHM 5 0402
R832	0613952Q29	CER CHIP RES 15.0 OHM 5 0402
R833	0613952Q49	CER CHIP RES 100 OHM 5 0402
R840	0613952Q29	CER CHIP RES 15.0 OHM 5 0402
R848	0613952Q29	CER CHIP RES 15.0 OHM 5 0402
R849	0613952Q67	CER CHIP RES 560 OHM 5 0402
R1001	0613952R13	CER CHIP RES 33K OHM 5% 0402
R1002	0613952R17	CER CHIP RES 47K OHM 5% 0402
R1003	0613952R01	CER CHIP RES 10K OHM 5% 0402
R1004	0613952R12	CER CHIP RES 30K OHM 5 0402
R1005	0613952Q73	CER CHIP RES 1000 OHM 5 0402
R1006	0613952R66	CER CHIP RES 0.0 +/-0.050 OHM
R1101	0613952R25	CER CHIP RES 100K OHM 5% 0402
R1102	0613952R25	CER CHIP RES 100K OHM 5% 0402
R1103	06009259001	20 MILLIOHM RESISTOR IN 0805 PKG (C87)
R1104	0613952Q49	CER CHIP RES 100 OHM 5 0402
R1105	0613952Q49	CER CHIP RES 100 OHM 5 0402
R1106	0613952Q29	CER CHIP RES 15.0 OHM 5% 0402
R1107	0613952Q45	CER CHIP RES 68.0 OHM 5 0402
R1108	0613952R23	CER CHIP RES 82K OHM 5% 0402

Ref. Des.	Part Number	Description
R1110	0613952R01	CER CHIP RES 10K OHM 5% 0402
R1112	NOT PLACED	–
R1114	0613952Q49	CER CHIP RES 100 OHM 5 0402
R1115	0613952Q49	CER CHIP RES 100 OHM 5 0402
R1116	0613952R01	CER CHIP RES 10K OHM 5% 0402
R1117	0613952R22	CER CHIP RES 75K OHM 5 0402
R1121	0613952R13	CER CHIP RES 33K OHM 5 0402
R1122	0613952R22	CER CHIP RES 75K OHM 5 0402
R1124	0613952Q42	CER CHIP RES 51.0 OHM 5 0402
R1125	0613952R17	CER CHIP RES 47K OHM 5% 0402
R1126	0613952R08	CER CHIP RES 20K OHM 5 0402
R1127	0613952R08	CER CHIP RES 20K OHM 5 0402
R1128	0613952R01	CER CHIP RES 10K OHM 5% 0402
R1129	NOT PLACED	–
R1130	NOT PLACED	–
R1135	0613952R66	CER CHIP RES 0.0 +/-0.050 OHM
R1136	0613952R01	CER CHIP RES 10K OHM 5% 0402
R1137	0613952R01	CER CHIP RES 10K OHM 5% 0402
R1138	0613952R25	CER CHIP RES 100K OHM 5% 0402
R1139	0613952R25	CER CHIP RES 100K OHM 5% 0402
R1140	0613952R25	CER CHIP RES 100K OHM 5% 0402
R1141	0613952R42	CER CHIP RES 510K OHM 5 0402
R1142	0613952R25	CER CHIP RES 100K OHM 5% 0402
R1143	0613952R25	CER CHIP RES 100K OHM 5% 0402
R1144	0613952R25	CER CHIP RES 100K OHM 5% 0402
R1145	0613952R25	CER CHIP RES 100K OHM 5% 0402
R1146	0613952R25	CER CHIP RES 100K OHM 5% 0402
R1151	0613952R01	CER CHIP RES 10K OHM 5% 0402

Ref. Des.	Part Number	Description	Ref. Des.	Part Number	Description	Ref. Des.	Part Number	Description	Ref. Des.	Part Number	Description
R1152	0613952R01	CER CHIP RES 10K OHM 5% 0402	R1307	0613952Q73	CER CHIP RES 1000 OHM 5 0402	SH10	2675859B01	SHIELD, OUTPUT MATCH	U606	5164852H16	IC TRANSCEIVER W/LEVEL TRANSLATION
R1154	0613952R01	CER CHIP RES 10K OHM 5% 0402	R1500	0613952R66	CER CHIP RES 0.0 +/-0.050 OHM	SH11	2675877B01	SHIELD, ALC	U607	5186311J24	IC,BFR,1BITS,NC7SZ125,ACTIVE HIGH,B
R1158	NOT PLACED	–	R1501	NOT PLACED	–	SH12	2675933B01	SHIELD, IF AMP	U702	5164015H28	IC,TRIDENT,INTEG SYNTH,RX/TX BSBND
R1160	0613952R03	CER CHIP RES 12K OHM 5% 0402	R1502	0613952Q73	CER CHIP RES 1000 OHM 5 0402	SH13	2675870B01	SHIELD, HARMONIC FILTER	U703	5175772B06	28-PORT I/O EXPANDER
R1161	0613952R01	CER CHIP RES 10K OHM 5% 0402	R1503	0613952R01	CER CHIP RES 10K OHM 5% 0402	SH14	2671905H01	SHIELD, REGULATOR	U708	5171972L01	SP3T RF SWITCH
R1162	0613952R29	CER CHIP RES 150K OHM 5% 0402	R1504	0613952R13	CER CHIP RES 33K OHM 5% 0402	T503	2575851B01	RF TRANSFORMER BALUN	U709	5171972L01	SP3T RF SWITCH
R1163	0613952R01	CER CHIP RES 10K OHM 5% 0402	R1505	0613952R01	CER CHIP RES 10K OHM 5% 0402	T504	2575851B01	RF TRANSFORMER BALUN	U710	5171972L01	SP3T RF SWITCH
R1164	0613952R01	CER CHIP RES 10K OHM 5% 0402	R1506	0613952R03	CER CHIP RES 12K OHM 5% 0402	T505	2575851B01	RF TRANSFORMER BALUN	U711	5171972L01	SP3T RF SWITCH
R1165	0613952Q56	CER CHIP RES 200 OHM 5 0402	R1906	0613952R01	CER CHIP RES 10K OHM 5% 0402	U101	5105443X07	EEPROM 32KBIT SERIAL SPI BUS	U746	4805218N63	RF TRANS SOT 323 Bfq67w
R1166	0613952Q56	CER CHIP RES 200 OHM 5 0402	R1907	0613952R01	CER CHIP RES 10K OHM 5% 0402	U200	5188493T01	IC,VREG/SWG,LP2989,SM,MINI SO-8 HI PRCN REG 5V	U1001	5175143H01	WIDE SUPPLY RANGE OP AMP
R1167	0613952R01	CER CHIP RES 10K OHM 5% 0402	R1908	0613952R01	CER CHIP RES 10K OHM 5% 0402	U201	5175771A99	LOW NOISE, 100MA LINEAR REGULATOR	U1002	51012101001	VHF/UHF/800/900 MHZ LDMOS DRIVER IC
R1168	0613952R66	CER CHIP RES 0.0 +/-0.050 OHM	R1909	0613952R01	CER CHIP RES 10K OHM 5% 0402	U202	5175772B02	LINEAR REGULATOR 100MA 1.8V	U1101	5188032U43	IC,SENSING CIRCUIT,INA138,SM,SOT-23/5,1PER PKG
R1169	0613952P52	CER CHIP RES 340K OHM 1 0402	R1910	0613952Q73	CER CHIP RES 1000 OHM 5% 0402	U203	5175772B01	LINEAR VOLTAGE REGULATOR 350MA	U1102	5175772B03	RECONFIGURABLE 10W SP5T/3T RF SWITC
R1170	0613952N88	CER CHIP RES 80.6K OHM 1 0402	R1911	0613952Q73	CER CHIP RES 1000 OHM 5% 0402	U402	5180428L15	SW,RF SWITCH,SPDT,SMT,6W,3V	U1103	5185070Y01	IC TEMPERATURE SENSOR PB-FREE
R1171	0613952R66	CER CHIP RES 0.0 +/-0.050 OHM	R1921	0613952R22	CER CHIP RES 75K OHM 5 0402	U403	5180428L15	SW,RF SWITCH,SPDT,SMT,6W,3V	U1104	5185941F56	IC SINGLE LV LP OP AMPLIFIER
R1172	0613952Q89	CER CHIP RES 4700 OHM 5 0402	R1922	0613952R27	CER CHIP RES 120K OHM 5% 0402	U404	5180428L15	SW,RF SWITCH,SPDT,SMT,6W,3V	U1105	5180390L83	IC,CNTRLR,SM,1PER PKG
R1174	0613952R01	CER CHIP RES 10K OHM 5% 0402	R1923	0613952R01	CER CHIP RES 10K OHM 5% 0402	U405	5180428L15	SW,RF SWITCH,SPDT,SMT,6W,3V	U1106	5175772B05	PRECISION RF DETECTOR
R1175	0613952R66	CER CHIP RES 0.0 +/-0.050 OHM	R1924	0613952Q37	CER CHIP RES 33.0 OHM 5 0402	U406	4885316E32	TRANSISTOR, RF	U1109	5114007M32	IC,OR,2PER PKG,SM,US8, PB-FREE
R1176	0613952Q73	CER CHIP RES 1000 OHM 5 0402	R1925	0613952Q11	CER CHIP RES 2.7 OHM 5 0402	U407	4885316E32	TRANSISTOR, RF	U1110	5180428L15	SW,RF SWITCH,SPDT,SMT,6W,3V
R1177	0613952R66	CER CHIP RES 0.0 +/-0.050 OHM	R1935	0613952Q75	CER CHIP RES 1200 OHM 5 0402	U408	5103535B53	IC,INVTR,DL,NC7WZ04L6X,2PER PKG,SC70	U1111	5175771A26	CMOS FET SWITCH SPDT, 10WATTS
R1178	0613952R01	CER CHIP RES 10K OHM 5% 0402	R1936	0613952R66	CER CHIP RES 0.0 +/-0.050 OHM	U501	5180428L15	SW,RF SWITCH,SPDT,SMT,6W,3V	U1112	5175772B04	1 DB LSB GAAS MMIC ATTENUATOR
R1179	0613952R66	CER CHIP RES 0.0 +/-0.050 OHM	SH1	2675871B01	SHIELD, FGU	U502	5103535B53	IC,INVTR,DL,NC7WZ04L6X,2PER PKG,SC70	U1113	5185941F56	IC SINGLE LV LP OP AMPLIFIER
R1180	0613952R66	CER CHIP RES 0.0 +/-0.050 OHM	SH2	2675872B01	SHIELD, XTAL	U506	5164852H82	IC, MIXER/ BUFFER	U1114	5185941F56	IC SINGLE LV LP OP AMPLIFIER
R1181	NOT PLACED	–	SH3	2675873B01	SHIELD, ABACUS	U601	5102495J14	IC,IF,IF DIGITILIZING SUBSYSTEM IC,AD9864,QFN	U1116	5109522E93	2 INPUT OR GATE IN NANO PACKAGE (C87)
R1182	0613952R01	CER CHIP RES 10K OHM 5% 0402	SH4	2675878B01	SHIELD, FRONT END	U602	4885316E32	TRANSISTOR, RF	U1117	5103535B53	IC,INVTR,DL,NC7WZ04L6X,2PER PKG,SC70
R1183	0613952Q73	CER CHIP RES 1000 OHM 5% 0402	SH5	2675879B01	SHIELD, DRIVER PA	U603	5109522E84	IC DUAL SCHMITT TRIG MICRO PAK	U1118	5188085K11	IC, SINGLE NAND GATE, 2-INPUT,POSITIVE, 5 DSBGA, PB-FREE
R1184	0613952Q81	CER CHIP RES 2200 OHM 5% 0402	SH6	2675876B01	SHIELD, VCO	U604	5109522E84	IC DUAL SCHMITT TRIG MICRO PAK	U1119	5186311J53	IC,AND,DUAL 2-INPUT AND GATE,NC7WZ08,2PER PKG,SM,MSOP
R1304	NOT PLACED	–	SH7	2675874B01	SHIELD, MIXER	U605	5164852H16	IC TRANSCEIVER W/LEVEL TRANSLATION			
			SH8	2675932B01	SHIELD, 2ND LO VCO						
			SH9	2675934B01	SHIELD, DC						

Ref. Des.	Part Number	Description
U1121	5114000B52	IC,XOR,LOGIC LEVEL SHIFTER, 1PER PKG,SM, SOT-353,PB-FREE
U1122	5180428L15	SW,RF SWITCH,SPDT,SMT,6W, 3V
U1123	5188085K11	IC, SINGLE NAND GATE, 2-INPUT,POSITIVE, 5 DSBGA, PB-FREE
U1125	5175206H01	QUAD 12-BIT DAC IC
U1126	5109817F77	IC COMPTR LM7275 5SC70 (D54)
U1127	5171779H01	SPDT ANALOG SWITCH
U1128	5188085K11	IC, SINGLE NAND GATE, 2-INPUT, POSITIVE, 5 DSBGA, PB-FREE
U1129	5175143H01	WIDE SUPPLY RANGE OP AMP
U1130	5175143H01	WIDE SUPPLY RANGE OP AMP
U1131	5109817F77	IC COMPTR LM7275 5SC70 (D54)
U1132	5114007M28	IC,F-F/D,1PER PKG,17SZ74,N-I, SM,SOIC8,PB-FREE
U1133	5171779H01	SPDT ANALOG SWITCH
U1136	5109522E94	2 INPUT AND GATE IN NANO PACKAGE (C87)
U1137	5164852H16	IC TRANSCEIVER W/LEVEL TRANSLATION
U1138	5164852H16	IC TRANSCEIVER W/LEVEL TRANSLATION
U1139	5164852H16	IC TRANSCEIVER W/LEVEL TRANSLATION
U1140	5171779H01	SPDT ANALOG SWITCH
U1141	5185941F56	IC SINGLE LV LP OP AMPLIFIER
U1142	5185941F56	IC SINGLE LV LP OP AMPLIFIER
U1143	5185941F56	IC SINGLE LV LP OP AMPLIFIER
U1144	5171779H01	SPDT ANALOG SWITCH
U1145	5171779H01	SPDT ANALOG SWITCH
U1146	5109522E93	2 INPUT OR GATE IN NANO PACKAGE (C87)
U1147	5109522E94	2 INPUT AND GATE IN NANO PACKAGE (C87)
U1148	5185941F56	IC SINGLE LV LP OP AMPLIFIER
U1304	5105739X13	IC, SIGE GPS LOW NOISE AMP 1575 MHZ

Ref. Des.	Part Number	Description
U1500	51012101001	VHF/UHF/800/900 MHZ LD MOS DRIVER IC
U1501	5175143H01	WIDE SUPPLY RANGE OP AMP
U1932	4885316E32	TRANSISTOR, RF
VR101	4813977M29	DIODE,VREF,MBZ5250,SM,SOT-23,20V,.225W,ZEN
VR200	4813977M29	DIODE,VREF,MBZ5250,SM,SOT-23,20V,.225W,ZEN
VR601	4805656W87	DIODE,VCTR, @ 15V,1SV279, SOD-523/SC-79
VR602	4805656W87	DIODE,VCTR, @ 15V,1SV279, SOD-523/SC-79
VR1905	4815096H01	VARACTOR DIODE 1SV305
VR1906	4815096H01	VARACTOR DIODE 1SV305
VR1907	4815096H01	VARACTOR DIODE 1SV305
VR1908	4815096H01	VARACTOR DIODE 1SV305
VR1910	4815096H01	VARACTOR DIODE 1SV305
VR1920	4815096H01	VARACTOR DIODE 1SV305
Y701	4871886H01	16.8 MHZ VCTXO .8PPM
Y704	5164852H68	IC, VCO MODULE
Y705	5164852H66	IC, VCO MODULE
Y706	5164852H65	IC, VCO MODULE
Y707	5164852H67	IC, VCO MODULE

MNUS4002E UHF2 / 700–800 MHz Transceiver (RF) Board Parts List

Ref. Des.	Part Number	Description
C101	2113944A46	CAP CER CHP 330.0 PF 50V 5%
C200	2113945B02	CAP CER CHP 10,000PF 25V 10%
C201	2188468Y01	CAP CER 25V X7R 0805 1UF
C202	2188468Y01	CAP CER 25V X7R 0805 1UF
C203	2188468Y01	CAP CER 25V X7R 0805 1UF
C204	2113955D35	CAP,FXD,4.7UF,+10%,-10%,16V-DC,1206,X7R,-55DEG CMIN,1 25DEG CMAX
C205	2113955D35	CAP,FXD,4.7UF,+10%,-10%,16V-DC,1206,X7R,-55DEG CMIN, 125DEG CMAX
C206	2113945B02	CAP CER CHP 10,000PF 25V 10%
C207	2113956B91	CAP,FXD,1UF,+10%,-10%,16V-DC,0603,X5R,-55DEG CMIN, 85DEG CMAX,PB
C208	2113956B91	CAP,FXD,1UF,+10%,-10%,16V-DC,0603,X5R,-55DEG CMIN, 85DEG CMAX,PB
C209	2113956B91	CAP,FXD,1UF,+10%,-10%,16V-DC,0603,X5R,-55DEG CMIN,85DEG CMAX,PB
C210	2113956B91	CAP,FXD,1UF,+10%,-10%,16V-DC,0603,X5R,-55DEG CMIN, 85DEG CMAX,PB
C212	2113946D07	CAP,CHIP,4.7UF,+10%,-10%, 6.3V-DC,0603,X5R,-55DEG CMIN,85DEG CMA
C213	2113944A46	CAP CER CHP 330.0 PF 50V 5%
C214	2113944A31	CAP CER CHP 33.0PF 50V 5%
C215	2113944A46	CAP CER CHP 330.0 PF 50V 5%
C216	2113944A31	CAP CER CHP 33.0PF 50V 5%
C217	2113956B91	CAP,FXD,1UF,+10%,-10%,16V-DC,0603,X5R,-55DEG CMIN, 85DEG CMAX,PB
C402	2113944A31	CAP CER CHP 33.0PF 50V 5%
C404	2113944A31	CAP CER CHP 33.0PF 50V 5%
C405	2113944A31	CAP CER CHP 33.0PF 50V 5%
C406	2113944A31	CAP CER CHP 33.0PF 50V 5%
C407	2113944A31	CAP CER CHP 33.0PF 50V 5%
C408	0613952R66	CER CHIP RES 0.0 +/-0.050 OHM

Ref. Des.	Part Number	Description
C409	0613952R66	CER CHIP RES 0.0 +/-0.050 OHM
C410	0613952R66	CER CHIP RES 0.0 +/-0.050 OHM
C411	0613952R66	CER CHIP RES 0.0 +/-0.050 OHM
C412	2113944A27	CAP CER CHP 15.0PF 50V 5%
C413	2113944A33	CAP CER CHP 47.0PF 50V 5%
C414	0613952R66	CER CHIP RES 0.0 +/-0.050 OHM
C415	0613952R66	CER CHIP RES 0.0 +/-0.050 OHM
C416	2113944A31	CAP CER CHP 33.0PF 50V 5%
C417	2113944A31	CAP CER CHP 33.0PF 50V 5%
C418	2113944A31	CAP CER CHP 33.0PF 50V 5%
C419	2113944A31	CAP CER CHP 33.0PF 50V 5%
C421	2113946D07	CAP,CHIP,4.7UF,+10%,-10%, 6.3V-DC,0603,X5R,-55DEG CMIN,85DEG CMA
C422	2113944A31	CAP CER CHP 33.0PF 50V 5%
C423	2113944A21	CAP CER CHP 6.8PF 50V +/- 0.5PF
C424	2113944A31	CAP CER CHP 33.0PF 50V 5%
C425	2113944A12	CAP CER CHP 3.0PF 50V +/- 0.25PF
C426	2113944A63	CAP,FXD,1PF,.25PF+/-,50V-DC, 0402,C0G,-55DEG CMIN, 125DEG CMAX,P
C427	2113946D07	CAP,CHIP,4.7UF,+10%,-10%, 6.3V-DC,0603,X5R,-55DEG CMIN,85DEG CMA
C428	2113946D07	CAP,CHIP,4.7UF,+10%,-10%, 6.3V-DC,0603,X5R,-55DEG CMIN,85DEG CMA
C429	2113944A31	CAP CER CHP 33.0PF 50V 5%
C430	2113944A21	CAP CER CHP 6.8PF 50V +/- 0.5PF
C431	2113944A31	CAP CER CHP 33.0PF 50V 5%
C432	2113944A12	CAP CER CHP 3.0PF 50V +/- 0.25PF
C433	2113944A61	CAP,FXD,.5PF,.25PF+/-,50V-DC, 0402,C0G,-55DEG CMIN, 125DEG CMAX
C434	2113946D07	CAP,CHIP,4.7UF,+10%,-10%, 6.3V-DC,0603,X5R,-55DEG CMIN,85DEG CMA
C501	2115153H40	CAP, CERAMIC, COG
C502	2115153H12	CAP, CERAMIC, COG

Ref. Des.	Part Number	Description	Ref. Des.	Part Number	Description	Ref. Des.	Part Number	Description	Ref. Des.	Part Number	Description
C503	2113944V13	CAP,FXD,2.7PF,.1PF+/-,50V-DC,0402,C0G,-55DEG CMIN,125DEG CMAX	C604	2113945B02	CAP CER CHP 10,000PF 25V 10%	C634	2113946B04	CAP CER CHP 0.10UF 10V 10%	C730	2113945C31	CAP,FXD,.1UF,+10%,-10%,50V-DC,0603,X7R,-55DEG CMIN,125DEG CMAX
C504	2113944A40	CAP CER CHP 100.0PF 50V 5%	C605	2113944A15	CAP CER CHP 3.9PF 50V +/- 0.25PF	C635	2113945B02	CAP CER CHP 10,000PF 25V 10%	C731	2113945C31	CAP,FXD,.1UF,+10%,-10%,50V-DC,0603,X7R,-55DEG CMIN,125DEG CMAX
C505	2113946B04	CAP CER CHP 0.10UF 10V 10%	C606	2113946B04	CAP CER CHP 0.10UF 10V 10%	C636	2113946B04	CAP CER CHP 0.10UF 10V 10%	C732	2113944A32	CAP CER CHP 39.0PF 50V 5%
C506	2113946B04	CAP CER CHP 0.10UF 10V 10%	C607	2113944A40	CAP CER CHP 100.0PF 50V 5%	C637	2113946B04	CAP CER CHP 0.10UF 10V 10%	C733	2113945C31	CAP,FXD,.1UF,+10%,-10%,50V-DC,0603,X7R,-55DEG CMIN,125DEG CMAX
C507	2115153H40	CAP, CERAMIC, COG	C608	2113944A12	CAP CER CHP 3.0PF 50V +/- 0.25PF	C638	2113945A12	CAP CER CHP 3300PF 50V 10%	C734	2113945C31	CAP,FXD,.1UF,+10%,-10%,50V-DC,0603,X7R,-55DEG CMIN,125DEG CMAX
C508	2113945A09	CAP CER CHP 1000PF 50V 10%	C609	2113944A30	CAP CER CHP 27.0PF 50V 5%	C639	2113945B02	CAP CER CHP 10,000PF 25V 10%	C735	2113945B02	CAP CER CHP 10,000PF 25V 10%
C509	2113945A09	CAP CER CHP 1000PF 50V 10%	C610	2113944A40	CAP CER CHP 100.0PF 50V 5%	C640	2113946B04	CAP CER CHP 0.10UF 10V 10%	C736	2113945C31	CAP,FXD,.1UF,+10%,-10%,50V-DC,0603,X7R,-55DEG CMIN,125DEG CMAX
C510	2113944A52	CAP CER CHP 1000.0 PF 50V 5%	C611	2113944A40	CAP CER CHP 100.0PF 50V 5%	C641	2113944A31	CAP CER CHP 33.0PF 50V 5%	C737	2113945C31	CAP,FXD,.1UF,+10%,-10%,50V-DC,0603,X7R,-55DEG CMIN,125DEG CMAX
C511	2113944A40	CAP CER CHP 100.0PF 50V 5%	C612	2113945B02	CAP CER CHP 10,000PF 25V 10%	C642	2113944A48	CAP CER CHP 470.0 PF 50V 5%	C738	2113944A17	CAP CER CHP 4.7PF 50V +/- 0.25PF
C512	2113944A31	CAP CER CHP 33.0PF 50V 5%	C613	2113944A40	CAP CER CHP 100.0PF 50V 5%	C643	2113944A48	CAP CER CHP 470.0 PF 50V 5%	C739	2113945C31	CAP,FXD,.1UF,+10%,-10%,50V-DC,0603,X7R,-55DEG CMIN,125DEG CMAX
C513	2113944A40	CAP CER CHP 100.0PF 50V 5%	C614	2113945B02	CAP CER CHP 10,000PF 25V 10%	C701	2113944A44	CAP CER CHP 220.0 PF 50V 5%	C740	2113944A35	CAP CER CHP 62.0PF 50V 5%
C514	2113944A84	CAP,FXD,43PF,+5%,-5%,50V-DC,0402,C0G,-55DEG CMIN,125DEG CMAX,PB	C615	2113944A42	CAP CER CHP 150.0PF 50V 5%	C702	2113944A44	CAP CER CHP 220.0 PF 50V 5%	C703	2113944A44	CAP CER CHP 220.0 PF 50V 5%
C515	2113944A21	CAP CER CHP 6.8PF 50V +/- 0.5PF	C616	2113945A11	CAP CER CHP 2200PF 50V 10%	C704	2113944A35	CAP CER CHP 62.0PF 50V 5%	C704	2113944A44	CAP CER CHP 220.0 PF 50V 5%
C516	2113944A11	CAP CER CHP 2.7PF 50V +/- 0.25PF	C617	2113946B04	CAP CER CHP 0.10UF 10V 10%	C705	2113944A44	CAP CER CHP 220.0 PF 50V 5%	C705	2113944A44	CAP CER CHP 220.0 PF 50V 5%
C517	2113946B04	CAP CER CHP 0.10UF 10V 10%	C618	2113944A31	CAP CER CHP 33.0PF 50V 5%	C709	2113944A44	CAP CER CHP 220.0 PF 50V 5%	C710	2113944A49	CAP CER CHP 560.0 PF 50V 5%
C518	2113945A09	CAP CER CHP 1000PF 50V 10%	C619	2113944A35	CAP CER CHP 62.0PF 50V 5%	C711	2113944A34	CAP CER CHP 56.0PF 50V 5%	C711	2113944A34	CAP CER CHP 56.0PF 50V 5%
C519	2113944A28	CAP CER CHP 18.0PF 50V 5%	C620	2113946B04	CAP CER CHP 0.10UF 10V 10%	C712	NOT PLACED	–	C712	NOT PLACED	–
C520	2113945A09	CAP CER CHP 1000PF 50V 10%	C621	2113946B04	CAP CER CHP 0.10UF 10V 10%	C715	2113945C31	CAP,FXD,.1UF,+10%,-10%,50V-DC,0603,X7R,-55DEG CMIN,125DEG CMAX	C715	2113945C31	CAP,FXD,.1UF,+10%,-10%,50V-DC,0603,X7R,-55DEG CMIN,125DEG CMAX
C521	2113945A09	CAP CER CHP 1000PF 50V 10%	C622	2113946C07	CAP,FXD,.33UF,+10%,-10%,10V-DC,0603,X5R,-55DEG CMIN,85DEG CMAX	C716	2113945C31	CAP,FXD,.1UF,+10%,-10%,50V-DC,0603,X7R,-55DEG CMIN,125DEG CMAX	C716	2113945C31	CAP,FXD,.1UF,+10%,-10%,50V-DC,0603,X7R,-55DEG CMIN,125DEG CMAX
C522	2113944A27	CAP CER CHP 15.0PF 50V 5%	C623	2113945B02	CAP CER CHP 10,000PF 25V 10%	C717	2113945C31	CAP,FXD,.1UF,+10%,-10%,50V-DC,0603,X7R,-55DEG CMIN,125DEG CMAX	C717	2113945C31	CAP,FXD,.1UF,+10%,-10%,50V-DC,0603,X7R,-55DEG CMIN,125DEG CMAX
C523	2113944A48	CAP CER CHP 470.0 PF 50V 5%	C624	2113946C07	CAP,FXD,.33UF,+10%,-10%,10V-DC,0603,X5R,-55DEG CMIN,85DEG CMAX	C718	2113945C31	CAP,FXD,.1UF,+10%,-10%,50V-DC,0603,X7R,-55DEG CMIN,125DEG CMAX	C718	2113945C31	CAP,FXD,.1UF,+10%,-10%,50V-DC,0603,X7R,-55DEG CMIN,125DEG CMAX
C524	2113944A30	CAP CER CHP 27.0PF 50V 5%	C625	2113944A28	CAP CER CHP 18.0PF 50V 5%	C719	2113945C31	CAP,FXD,.1UF,+10%,-10%,50V-DC,0603,X7R,-55DEG CMIN,125DEG CMAX	C719	2113945C31	CAP,FXD,.1UF,+10%,-10%,50V-DC,0603,X7R,-55DEG CMIN,125DEG CMAX
C525	2115153H03	CAP, CERAMIC, COG	C626	2113945A09	CAP CER CHP 1000PF 50V 10%	C724	2113955D37	CAP,FXD,10UF,+10%,-10%,16V-DC,1206,X7R,-55DEG CMIN,125DEG CMAX	C724	2113955D37	CAP,FXD,10UF,+10%,-10%,16V-DC,1206,X7R,-55DEG CMIN,125DEG CMAX
C526	2113944V13	CAP,FXD,2.7PF,.1PF+/-,50V-DC,0402,C0G,-55DEG CMIN,125DEG CMAX	C627	2113945A09	CAP CER CHP 1000PF 50V 10%	C725	2113945C31	CAP,FXD,.1UF,+10%,-10%,50V-DC,0603,X7R,-55DEG CMIN,125DEG CMAX	C725	2113945C31	CAP,FXD,.1UF,+10%,-10%,50V-DC,0603,X7R,-55DEG CMIN,125DEG CMAX
C527	2113944V07	CAP,FXD,1.5PF,.1PF+/-,50V-DC,0402,C0G,-55DEG CMIN,125DEG CMAX	C628	2113945B02	CAP CER CHP 10,000PF 25V 10%	C726	2113945C31	CAP,FXD,.1UF,+10%,-10%,50V-DC,0603,X7R,-55DEG CMIN,125DEG CMAX	C726	2113945C31	CAP,FXD,.1UF,+10%,-10%,50V-DC,0603,X7R,-55DEG CMIN,125DEG CMAX
C528	2113944A40	CAP CER CHP 100.0PF 50V 5%	C629	2113946B04	CAP CER CHP 0.10UF 10V 10%						
C529	2113944A40	CAP CER CHP 100.0PF 50V 5%	C630	2113946B04	CAP CER CHP 0.10UF 10V 10%						
C601	2113945B02	CAP CER CHP 10,000PF 25V 10%	C631	2113944A27	CAP CER CHP 15.0PF 50V 5%						
C602	2113945B02	CAP CER CHP 10,000PF 25V 10%	C632	2113944A40	CAP CER CHP 100.0PF 50V 5%						
C603	2113945B02	CAP CER CHP 10,000PF 25V 10%	C633	2113945B02	CAP CER CHP 10,000PF 25V 10%						

Ref. Des.	Part Number	Description	Ref. Des.	Part Number	Description	Ref. Des.	Part Number	Description	Ref. Des.	Part Number	Description
C1302	2114036F74	CAP,FXD,1.8PF,.05PF+/-,25V-DC, C0G,-55DEG CMIN,125DEG CMAX,PB-	C1510	2113944M26	CAP,FXD,22PF,+2%,-2%,50V-DC, 0603,C0G,-55DEG CMIN, 125DEG CMAX,PB	C1706	NOT PLACED	-	E401	2480640Z01	SURFACE MOUNT FERRITE BEAD
C1303	2113944A26	CAP CER CHP 12.0PF 50V 5%	C1511	2113944M30	CAP,FXD,33PF,+2%,-2%,50V-DC, 0603,C0G,-55DEG CMIN, 125DEG CMAX,PB	C1707	2113944C45	CAP CER CHP 100.0PF 50V 5%	E402	2480640Z01	SURFACE MOUNT FERRITE BEAD
C1304	2113945A09	CAP CER CHP 1000PF 50V 10%	C1512	NOT PLACED	-	C1920	2113946D07	CAP,CHIP,4.7UF,+10%,-10%, 6.3V-DC,0603,X5R,-55DEG CMIN,85DEG CMA	E501	2480640Z01	SURFACE MOUNT FERRITE BEAD
C1305	2113944A30	CAP CER CHP 27.0PF 50V 5%	C1513	2113944C45	CAP CER CHP 100.0PF 50V 5%	C1922	2113944A40	CAP CER CHP 100.0PF 50V 5%	E601	2480640Z01	SURFACE MOUNT FERRITE BEAD
C1306	2113945B02	CAP CER CHP 10,000PF 25V 10%	C1514	2113945C02	CAP CER CHP 10,000PF 50V 10%	C1923	2113944A40	CAP CER CHP 100.0PF 50V 5%	E602	2480640Z01	SURFACE MOUNT FERRITE BEAD
C1307	2113944A26	CAP CER CHP 12.0PF 50V 5%	C1516	21007088001	0805 CAPACITOR	C1924	2113946D07	CAP,CHIP,4.7UF,+10%,-10%, 6.3V-DC,0603,X5R,-55DEG CMIN,85DEG CMA	E603	2480640Z01	SURFACE MOUNT FERRITE BEAD
C1308	2113944A28	CAP CER CHP 18.0PF 50V 5%	C1517	2171741M08	HIGH Q CAP, 22 PF	C1925	2113944A40	CAP CER CHP 100.0PF 50V 5%	E604	2480640Z01	SURFACE MOUNT FERRITE BEAD
C1309	2175389H01	CAP,.5PF, CHIP, 0402, CERAMIC, 50 V	C1518	21007088007	0805 CAPACITOR	C1926	2113946B04	CAP CER CHP 0.10UF 10V 10%	E605	2480640Z01	SURFACE MOUNT FERRITE BEAD
C1310	2113944A17	CAP CER CHP 4.7PF 50V +/- 0.25PF	C1519	NOT PLACED	-	C1928	2115153H16	CAP, CERAMIC, COG	E606	2480640Z01	SURFACE MOUNT FERRITE BEAD
C1411	2113944C36	CAP CER CHP 33.0PF 50V 5%	C1520	21007088005	0805 CAPACITOR	C1929	2115153H20	CAP, CERAMIC, COG	E607	2480640Z01	SURFACE MOUNT FERRITE BEAD
C1413	2113944C62	CAP,FXD,.75PF,.1PF+/-,50V-DC, 0603,C0G,-55DEG CMIN, 125DEG CMAX	C1521	2113944C45	CAP CER CHP 100.0PF 50V 5%	C1931	2171051Y05	CAP,CER CHIP,180PF,+1%,-1%, 50V-DC,0	E608	2480640Z01	SURFACE MOUNT FERRITE BEAD
C1414	2113944C63	CAP,FXD,1PF,.1PF+/-,50V-DC, 0603,C0G,-55DEG CMIN, 125DEG CMAX,PB	C1522	2113944A40	CAP CER CHP 100.0PF 50V 5%	C1935	2115153H12	CAP, CERAMIC, COG	E609	2480640Z01	SURFACE MOUNT FERRITE BEAD
C1418	2113944C13	CAP CER CHP 2.0PF 50V +/- 0.25PF	C1523	NOT PLACED	-	C1936	2115153H31	CAP, CERAMIC, COG	E1101	2405688Z01	INDUCTOR FERRITE BEAD
C1419	NOT PLACED	-	C1525	2113945Y02	CAP,FXD,.1UF,+10%,-10%,16V-DC,0402,X7R,-55DEG CMIN, 125DEG CMAX	C1938	2115153H07	CAP, CERAMIC, COG	E1921	2480640Z01	SURFACE MOUNT FERRITE BEAD
C1424	2113944C63	CAP,FXD,1PF,.1PF+/-,50V-DC, 0603,C0G	C1526	2113945Y02	CAP,FXD,.1UF,+10%,-10%,16V-DC,0402,X7R,-55DEG CMIN, 125DEG CMAX	C1939	2115153H12	CAP, CERAMIC, COG	F200	6575834B01	FUSE SURFACE MOUNT
C1425	2113944C61	CAP,FXD,.5PF,.1PF+/-,50V-DC, 0603,C0G,-55DEG CMIN, 125DEG CMAX,P	C1527	21007088006	0805 CAPACITOR	C1940	2113944A40	CAP CER CHP 100.0PF 50V 5%	FL401	9175390A01	SAW FILTER, DUAL BAND 769/ 860.5
C1500	2113944C45	CAP CER CHP 100.0PF 50V 5%	C1598	2113945A12	CAP CER CHP 3300PF 50V 10%	C1941	2113946B04	CAP CER CHP 0.10UF 10V 10%	FL402	9175390A01	SAW FILTER, DUAL BAND 769/ 860.5
C1501	2113945C02	CAP CER CHP 10,000PF 50V 10%	C1599	2113945A12	CAP CER CHP 3300PF 50V 10%	C1942	2115153H38	CAP, CERAMIC, COG	FL501	91009295001	FLTR,BANDPASS,109.65MHZ NOM,FILTER,MONOLITHIC CRYSTAL,BAND
C1502	2113944C45	CAP CER CHP 100.0PF 50V 5%	C1700	2113944M06	CAP,FXD,3.3PF,.1PF+/-,50V-DC, 0603,C0G,-55DEG CMIN, 125DEG CMAX	C1952	2115153H20	CAP, CERAMIC, COG	FL1301	9189697V15	FLTR,1.57542GHZ NOM, 1.57642GHZ MIN,1.57442GHZ MAX,50OHM,SM,P
C1503	2113944C45	CAP CER CHP 100.0PF 50V 5%	C1701	2113944M14	CAP,FXD,6.8PF,.1PF+/-,50V-DC, 0603,C0G,-55DEG CMIN, 125DEG CMAX	C1953	2115153H16	CAP, CERAMIC, COG	J101	0909901V02	RECP SMT MCX
C1504	2113945C02	CAP CER CHP 10,000PF 50V 10%	C1702	2113944M15	CAP,FXD,7.5PF,.1PF+/-,50V-DC, 0603,C0G,-55DEG CMIN, 125DEG CMAX	C1954	2113944A40	CAP CER CHP 100.0PF 50V 5%	J102	0975886B01	RECEPTACLE, COAX CABLE
C1505	2113944M20	CAP,FXD,5.6PF,.1PF+/-,50V-DC, 0603,C0G,-55DEG CMIN, 125DEG CMAX	C1703	2113944M06	CAP,FXD,3.3PF,.1PF+/-,50V-DC, 0603,C0G,-55DEG CMIN, 125DEG CMAX	C1955	2113946B04	CAP CER CHP 0.10UF 10V 10%	L200	2571269C01	INDUCTOR WW POWER 20%
C1506	2113944A40	CAP CER CHP 100.0PF 50V 5%	C1704	2113944M02	CAP,FXD,2.2PF,.1PF+/-,50V-DC, 0603,C0G,-55DEG CMIN, 125DEG CMAX	C1956	2115153H16	CAP, CERAMIC, COG	L401	2415427H23	CHIP INDUCTOR
C1507	2113944A40	CAP CER CHP 100.0PF 50V 5%	C1705	2113944C67	CAP,FXD,1.5PF,.1PF+/-,50V-DC, 0603,C0G,-55DEG CMIN, 125DEG CMAX	C1957	2115153H21	CAP, CERAMIC, COG	L402	2415427H23	CHIP INDUCTOR
C1508	2113944C12	CAP CER CHP 1.8PF 50V +/- 0.25PF				C1958	2115153H38	CAP, CERAMIC, COG	L403	2415427H05	CHIP INDUCTOR
C1509	2113944C45	CAP CER CHP 100.0PF 50V 5%				C1959	2115153H12	CAP, CERAMIC, COG	L404	2415427H23	CHIP INDUCTOR
						C1960	2115153H07	CAP, CERAMIC, COG			
						C1961	2115153H12	CAP, CERAMIC, COG			
						C1963	2115153H21	CAP, CERAMIC, COG			
						C1964	2115153H16	CAP, CERAMIC, COG			
						D200	4813978A19	DIODE,RECT,MBR120,SM,SOD-123,1A,20V,SHTK,PB-FREE			
						D722	4815011H01	DIODE TRIPLE			
						D723	4815011H01	DIODE TRIPLE			
						E200	2405688Z01	INDUCTOR FERRITE BEAD			
						E201	2405688Z01	INDUCTOR FERRITE BEAD			

Ref. Des.	Part Number	Description	Ref. Des.	Part Number	Description	Ref. Des.	Part Number	Description	Ref. Des.	Part Number	Description
L405	2415427H23	CHIP INDUCTOR	L753	2415347H06	IDCTR, 2200NH	L1505	2460591E24	COIL AIR WOUND INDUC 23.75	M105	3987977Y04	CONT,CONN,1CONT,ANT UNIV 4.5MM,UC 1.8
L406	2415427H11	CHIP INDUCTOR	L802	NOT PLACED	–	L1507	2415385H01	8 NH MINISPRING AIR CORE INDUCTOR	M106	NOT PLACED	–
L407	2415427H16	CHIP INDUCTOR	L806	2415429H47	CHIP INDUCTOR	L1510	2415429H37	CHIP INDUCTOR 110nH 5%	P101	2887818K05	PLUG 40PIN MATING CNTCR 1.5MM
L408	2415427H21	CHIP INDUCTOR	L817	2414032F41	IDCTR,WW,390NH,10%,200MA, 1.5OHM,CER,40 Q,730MHZ SRF, SM,PB-F	L1700	2471902Y05	IDCTR,AW,12.1NH,5%,4.4A, .007OHM,4.3GHZ SRF,SM,PB-FREE	PASTE	1085674C03	PASTE/NC-SMQ230
L501	24012011011	0402 HIGH Q CHIP INDUCTOR	L821	2415429H47	CHIP INDUCTOR	L1701	2471902Y05	IDCTR,AW,12.1NH,5%,4.4A, .007OHM,4.3GHZ SRF,SM,PB-FREE	PCB	8478167A01	BOARD, PC, PORTABLE UHF2 & 7/800
L502	2415429H30	CHIP INDUCTOR	L846	2414032F41	IDCTR,WW,390NH,10%,200MA, 1.5OHM,CER,40 Q,730MHZ SRF, SM,PB-F	L1702	2471902Y05	IDCTR,AW,12.1NH,5%,4.4A, .007OHM,4.3GHZ SRF,SM,PB-FREE	Q201	4813970A59	P-CH FET 1.0A 20V SOT-23 T&R
L503	2414032F38	IDCTR,WW,220NH,5%,400MA, .7OHM,CER,30 Q,630MHZ SRF, SM,PB-FRE	L1001	2415429H37	CHIP INDUCTOR	L1908	2478057A07	4.7 NH SURFACE MOUNT INDUCTOR	Q202	4813973A32	XSTR,BIP GP SS,NPN,SM, SC-70,SMT,50V,.202W,100MA, PB-FREE
L504	2414032F41	IDCTR,WW,390NH,10%,200MA, 1.5OHM,CER,40 Q,730MHZ SRF,SM,PB-F	L1002	2415429H10	CHIP INDUCTOR	L1909	2478057A23	18 NH SURFACE MOUNT INDUCTOR	Q401	4813973A32	XSTR,BIP GP SS,NPN,SM, SC-70,SMT,50V,.202W,100MA PB-FREE
L505	2415429H39	CHIP INDUCTOR	L1003	2415429H37	CHIP INDUCTOR	L1910	2478057A23	18 NH SURFACE MOUNT INDUCTOR	Q402	4813973M75	XSTR,BIP GP SS,PNP,BC858, SOT-563,SMT,-30V,.357W, -100MA,100MHZ
L506	2415429H39	CHIP INDUCTOR	L1007	2460591K40	COIL AIR WOUND INDUC 59.71	L1912	2478057A05	3.9 NH SURFACE MOUNT INDUCTOR	Q403	4813973M75	XSTR,BIP GP SS,PNP,BC858, SOT-563,SMT,-30V,.357W, -100MA,100MHZ
L507	2415427H36	CHIP INDUCTOR	L1009	2415428H02	AIR WOUND INDUCTOR	L1913	2478057A23	18 NH SURFACE MOUNT INDUCTOR	Q501	4813973M75	XSTR,BIP GP SS,PNP,BC858, SOT-563,SMT,-30V,.357W, -100MA,100MHZ
L508	2415427H17	CHIP INDUCTOR	L1101	2415429H27	CHIP INDUCTOR 36nH 5%	L1914	2478057A23	18 NH SURFACE MOUNT INDUCTOR	Q503	4885316E32	TRANSISTOR, RF
L509	2415427H17	CHIP INDUCTOR	L1102	2415429H10	CHIP INDUCTOR	L1915	2478057A35	0306 HIGH Q CHIP INDUCTOR	Q601	4813973A04	XSTR,BIP GP SS,NPN,TA13, SM,SOT-23,SMT,30V,.225W, 300MA,125MHZ,P
L510	24012011014	0402 HIGH Q CHIP INDUCTOR	L1103	2475393H01	INDUCTOR, 4.7NH, 0402, ?0.1NH	L1916	2414017P14	IDCTR,CHIP,12NH,5%,300MA, .6OHM,CER,	Q703	4813973M75	XSTR,BIP GP SS,PNP,BC858, SOT-563,SMT,-30V,.357W, -100MA,100MHZ
L511	2478057A13	7.5 NH SURFACE MOUNT INDUCTOR	L1104	0613952R66	CER CHIP RES 0.0 +/-0.050 OHM	L1917	2478057A36	0306 HIGH Q CHIP INDUCTOR	Q712	4813973M75	XSTR,BIP GP SS,PNP,BC858, SOT-563,SMT,-30V,.357W,- 100MA,100MHZ
L601	2415429H43	CHIP INDUCTOR	L1108	2409348J04	IND AIR CORE 5.45NH 5% 2214	L1919	2414017P14	IDCTR,CHIP,12NH,5%,300MA, .6OHM,CER,	Q713	4805585Q32	TRANSITOR, NPN RF
L602	2466505A01	COIL INDUCTOR	L1114	2475394H01	INDUCTOR, 11NH, 0402, +/-2%	L1934	2478057A38	0306 HIGH Q CHIP INDUCTOR	Q714	4889394V04	XSTR,FET GEN PURPOSE SMALL SIG,MOSFET,N-CH, ENHN,SM,20V,.25W,P
L603	2466505A01	COIL INDUCTOR	L1301	2488090Y07	INDUCTOR,MULTILAYER,3.3NH, 1005,SMD,PB FREE	L1935	2478057A26	24 NH SURFACE MOUNT INDUCTOR	Q774	4885061Y01	XSTR NPN 6V 30UA 12GHZ PB-FREE
L604	2414032D16	IDCTR,WW,120NH,5%,800MA, .26OHM,CER,42 Q,1GHZ SRF, SM,PB-FREE	L1302	2488090Y25	INDUCTOR,MULTILAYER,100NH, 1005,SMD,PB FREE	L1936	2415429H01	CHIP INDUCTOR	Q842	4805585Q32	TRANSITOR, NPN RF
L605	2414017Q54	IDCTR,FXD,3.9UH,10%,30MA, .9OHM,FERR,45 Q,38MHZ SRF, SM,0805,P	L1303	2414017P25	IDCTR,CHIP,100NH,5%,100MA, 5.5OHM,CER,8 Q,650MHZ SRF,SM,0402	L1938	NOT PLACED	–	Q1001	5185633C83	AMP MDL,MODULE,RING, XSTR, FET RF PWR,7/800
L701	2415429H47	CHIP INDUCTOR	L1305	2475391H01	INDUCTOR, 18 NH, CHIP, 0402, 2% TOL	M1	3275623B02	GASKET, THERMAL SPREADER	Q1101	4813973A32	XSTR,BIP GP SS,NPN,SM, SC-70,SMT,50V,.202W,100MA, PB-FREE
L720	2480646Z20	COIL MULTI-LAYER CHIP(2.20UH)	L1306	2488090Y10	INDUCTOR,MULTILAYER, 5.6NH,1005,SMD,PB FREE	M2	75009299001	PAD, THERMAL			
L727	2480646Z20	COIL MULTI-LAYER CHIP(2.20UH)	L1401	2415428H02	AIR WOUND INDUCTOR	M3	1104959T01	COATING-CONTACT			
L728	2415429H47	CHIP INDUCTOR	L1408	2460591A11	COIL AIR WOUND INDUC 7.66	M101	2871616H01	CONNECTOR, BPLUS			
L733	2480646Z20	COIL MULTI-LAYER CHIP(2.20UH)	L1410	2460591A11	COIL AIR WOUND INDUC 7.66	M103	3987977Y04	CONT,CONN,1CONT,ANT UNIV 4.5MM,UC 1.8			
L735	2480646Z20	COIL MULTI-LAYER CHIP(2.20UH)	L1500	2414015A07	IDCTR,FXD,180NH,2%,750MA, .77OHM,CER,25 Q,700MHZ SRF,SM,1008	M104	NOT PLACED	–			
L738	2480646Z20	COIL MULTI-LAYER CHIP(2.20UH)	L1501	2415429H14	CHIP INDUCTOR						
L741	2480646Z20	COIL MULTI-LAYER CHIP(2.20UH)	L1502	2415429H03	CHIP INDUCTOR						
			L1503	2415429H18	CHIP INDUCTOR						
			L1504	2415429H02	CHIP INDUCTOR						

Ref. Des.	Part Number	Description
Q1102	4813973A32	XSTR,BIP GP SS,NPN,SM, SC-70,SMT,50V,.202W,100MA, PB-FREE
Q1103	4813970A59	P-CH FET 1.0A 20V SOT-23 T&R
Q1104	4813970A59	P-CH FET 1.0A 20V SOT-23 T&R
Q1105	NOT PLACED	–
Q1500	5185633C92	AMP MDL,MODULE,RING, XSTR, FET RF POWER, UHF
Q1920	4813973A32	XSTR,BIP GP SS,NPN,SM, SC-70,SMT,50V,.202W,100MA, PB-FREE
Q1922	4813973M75	XSTR,BIP GP SS,PNP,BC858, SOT-563,SMT,-30V,.357W, -100MA,100MHZ
R101	0613952R01	CER CHIP RES 10K OHM 5% 0402
R103	0613952R01	CER CHIP RES 10K OHM 5% 0402
R201	0613952R25	CER CHIP RES 100K OHM 5% 0402
R202	0613952Q89	CER CHIP RES 4700 OHM 5 0402
R401	0613952R09	CER CHIP RES 22K OHM 5% 0402
R402	0613952R23	CER CHIP RES 82K OHM 5% 0402
R403	0613952Q85	CER CHIP RES 3300 OHM 5 0402
R404	0613952Q45	CER CHIP RES 68.0 OHM 5 0402
R405	0613952Q25	CER CHIP RES 10.0 OHM 5 0402
R406	0613952Q11	CER CHIP RES 2.7 OHM 5 0402
R407	0613952R09	CER CHIP RES 22K OHM 5% 0402
R408	0613952R23	CER CHIP RES 82K OHM 5% 0402
R409	0613952Q85	CER CHIP RES 3300 OHM 5 0402
R410	0613952Q45	CER CHIP RES 68.0 OHM 5 0402
R411	0613952Q25	CER CHIP RES 10.0 OHM 5 0402
R412	0613952Q11	CER CHIP RES 2.7 OHM 5 0402
R413	0613952Q11	CER CHIP RES 2.7 OHM 5 0402
R501	NOT PLACED	–
R502	0613952Q45	CER CHIP RES 68.0 OHM 5 0402
R503	0613952R10	CER CHIP RES 24K OHM 5 0402
R504	0613952Q85	CER CHIP RES 3300 OHM 5 0402

Ref. Des.	Part Number	Description
R505	0613952R31	CER CHIP RES 180K OHM 5% 0402
R506	0613952Q53	CER CHIP RES 150 OHM 5 0402
R507	0613952Q83	CER CHIP RES 2700 OHM 5 0402
R508	0613952Q41	CER CHIP RES 47.0 OHM 5% 0402
R509	0613952Q25	CER CHIP RES 10.0 OHM 5 0402
R511	0613952Q13	CER CHIP RES 3.3 OHM 5 0402
R512	NOT PLACED	–
R597	0613952R66	CER CHIP RES 0.0 +/-0.050 OHM
R601	0613952Q41	CER CHIP RES 47.0 OHM 5 0402
R602	0613952Q63	CER CHIP RES 390 OHM 5 0402
R603	0613952R25	CER CHIP RES 100K OHM 5% 0402
R604	0613952Q63	CER CHIP RES 390 OHM 5 0402
R605	0613952R01	CER CHIP RES 10K OHM 5% 0402
R606	0613952R01	CER CHIP RES 10K OHM 5% 0402
R607	0613952R25	CER CHIP RES 100K OHM 5% 0402
R608	0613952R01	CER CHIP RES 10K OHM 5% 0402
R609	0613952Q81	CER CHIP RES 2200 OHM 5 0402
R610	0613952R25	CER CHIP RES 100K OHM 5% 0402
R611	0613952R01	CER CHIP RES 10K OHM 5% 0402
R612	0613952Q94	CER CHIP RES 7500 OHM 5 0402
R613	0613952Q82	CER CHIP RES 2400 OHM 5 0402
R614	0613952R66	CER CHIP RES 0.0 +/-0.050 OHM
R615	NOT PLACED	–
R616	NOT PLACED	–
R617	NOT PLACED	–
R618	NOT PLACED	–
R619	NOT PLACED	–
R620	NOT PLACED	–
R621	NOT PLACED	–
R623	NOT PLACED	–
R624	NOT PLACED	–
R698	0613952R66	CER CHIP RES 0.0 +/-0.050 OHM
R699	0613952Q15	CER CHIP RES 3.9 OHM 5 0402

Ref. Des.	Part Number	Description
R701	0613952Q49	CER CHIP RES 100 OHM 5 0402
R702	0613952R66	CER CHIP RES 0.0 +/-0.050 OHM
R703	0613952Q42	CER CHIP RES 51.0 OHM 5 0402
R704	0613952Q42	CER CHIP RES 51.0 OHM 5 0402
R705	0613952Q25	CER CHIP RES 10.0 OHM 5 0402
R706	0613952R66	CER CHIP RES 0.0 +/-0.050 OHM
R707	0613952R66	CER CHIP RES 0.0 +/-0.050 OHM
R708	0613952Q49	CER CHIP RES 100 OHM 5 0402
R709	NOT PLACED	–
R710	NOT PLACED	–
R711	NOT PLACED	–
R712	0613952Q67	CER CHIP RES 560 OHM 5 0402
R713	0613952Q25	CER CHIP RES 10.0 OHM 5 0402
R714	0613952Q67	CER CHIP RES 560 OHM 5 0402
R721	0613952R01	CER CHIP RES 10K OHM 5% 0402
R729	0613952R09	CER CHIP RES 22K OHM 5% 0402
R743	0613952R17	CER CHIP RES 47K OHM 5% 0402
R745	0613952R09	CER CHIP RES 22K OHM 5% 0402
R751	0613952Q59	CER CHIP RES 270 OHM 5 0402
R752	0613952Q91	CER CHIP RES 5600 OHM 5 0402
R753	NOT PLACED	–
R754	NOT PLACED	–
R755	0613952R15	CER CHIP RES 39K OHM 5% 0402
R759	0613952Q69	CER CHIP RES 680 OHM 5 0402
R761	0613952Q57	CER CHIP RES 220 OHM 5% 0402
R762	0613952R02	CER CHIP RES 11K OHM 5 0402
R764	0613952Q75	CER CHIP RES 1200 OHM 5 0402
R767	0613952Q45	CER CHIP RES 68.0 OHM 5 0402
R772	0613952Q37	CER CHIP RES 33.0 OHM 5 0402
R773	0613952Q91	CER CHIP RES 5600 OHM 5 0402
R776	0613952Q39	CER CHIP RES 39.0 OHM 5 0402
R778	0613952Q55	CER CHIP RES 180 OHM 5 0402
R807	0613952R09	CER CHIP RES 22K OHM 5% 0402

Ref. Des.	Part Number	Description
R808	0613952R23	CER CHIP RES 82K OHM 5% 0402
R809	0613952Q91	CER CHIP RES 5600 OHM 5 0402
R811	0613952Q39	CER CHIP RES 39.0 OHM 5 0402
R812	0613952Q47	CER CHIP RES 82.0 OHM 5% 0402
R813	0613952Q69	CER CHIP RES 680 OHM 5 0402
R815	0613952Q34	CER CHIP RES 24.0 OHM 5 0402
R818	0613952Q23	CER CHIP RES 8.2 OHM 5 0402
R819	0613952Q59	CER CHIP RES 270 OHM 5 0402
R822	0613952R08	CER CHIP RES 20K OHM 5 0402
R823	0613952R19	CER CHIP RES 56K OHM 5% 0402
R827	0613952Q92	CER CHIP RES 6200 OHM 5 0402
R832	0613952Q29	CER CHIP RES 15.0 OHM 5 0402
R833	0613952Q49	CER CHIP RES 100 OHM 5 0402
R840	0613952Q29	CER CHIP RES 15.0 OHM 5 0402
R848	0613952Q29	CER CHIP RES 15.0 OHM 5 0402
R849	0613952Q67	CER CHIP RES 560 OHM 5 0402
R1001	0613952R13	CER CHIP RES 33K OHM 5% 0402
R1002	0613952R17	CER CHIP RES 47K OHM 5% 0402
R1003	0613952R01	CER CHIP RES 10K OHM 5% 0402
R1004	0613952R12	CER CHIP RES 30K OHM 5 0402
R1005	0613952Q73	CER CHIP RES 1000 OHM 5 0402
R1006	0613952R66	CER CHIP RES 0.0 +/-0.050 OHM
R1101	0613952R25	CER CHIP RES 100K OHM 5% 0402
R1102	0613952R25	CER CHIP RES 100K OHM 5% 0402
R1103	06009259001	20 MILLIOHM RESISTOR IN 0805 PKG (C87)
R1104	0613952Q49	CER CHIP RES 100 OHM 5 0402
R1105	0613952Q49	CER CHIP RES 100 OHM 5 0402
R1106	0613952Q29	CER CHIP RES 15.0 OHM 5% 0402
R1107	0613952Q45	CER CHIP RES 68.0 OHM 5 0402
R1108	0613952R23	CER CHIP RES 82K OHM 5% 0402

Ref. Des.	Part Number	Description	Ref. Des.	Part Number	Description	Ref. Des.	Part Number	Description	Ref. Des.	Part Number	Description
R1110	0613952R01	CER CHIP RES 10K OHM 5% 0402	R1152	0613952R01	CER CHIP RES 10K OHM 5% 0402	R1307	0613952Q73	CER CHIP RES 1000 OHM 5 0402	SH10	2675859B01	SHIELD, OUTPUT MATCH
R1112	NOT PLACED	–	R1154	0613952R01	CER CHIP RES 10K OHM 5% 0402	R1500	0613952R66	CER CHIP RES 0.0 +/-0.050 OHM	SH11	2675877B01	SHIELD, ALC
R1114	0613952Q49	CER CHIP RES 100 OHM 5 0402	R1158	NOT PLACED	–	R1501	NOT PLACED	–	SH12	2675933B01	SHIELD, IF AMP
R1115	0613952Q49	CER CHIP RES 100 OHM 5 0402	R1160	0613952R03	CER CHIP RES 12K OHM 5% 0402	R1502	0613952Q73	CER CHIP RES 1000 OHM 5 0402	SH13	2675870B01	SHIELD, HARMONIC FILTER
R1116	0613952R01	CER CHIP RES 10K OHM 5% 0402	R1161	0613952R01	CER CHIP RES 10K OHM 5% 0402	R1503	0613952R01	CER CHIP RES 10K OHM 5% 0402	SH14	2671905H01	SHIELD, REGULATOR
R1117	0613952R22	CER CHIP RES 75K OHM 5 0402	R1162	0613952R29	CER CHIP RES 150K OHM 5% 0402	R1504	0613952R13	CER CHIP RES 33K OHM 5% 0402	T503	2575851B01	RF TRANSFORMER BALUN
R1121	0613952R13	CER CHIP RES 33K OHM 5 0402	R1163	0613952R01	CER CHIP RES 10K OHM 5% 0402	R1505	0613952R01	CER CHIP RES 10K OHM 5% 0402	T504	2575851B01	RF TRANSFORMER BALUN
R1122	0613952R22	CER CHIP RES 75K OHM 5 0402	R1164	0613952R01	CER CHIP RES 10K OHM 5% 0402	R1506	0613952R03	CER CHIP RES 12K OHM 5% 0402	T505	2575851B01	RF TRANSFORMER BALUN
R1124	0613952Q42	CER CHIP RES 51.0 OHM 5 0402	R1165	0613952Q56	CER CHIP RES 200 OHM 5 0402	R1906	0613952R01	CER CHIP RES 10K OHM 5% 0402	U101	5105443X07	EEPROM 32KBIT SERIAL SPI BUS
R1125	0613952R17	CER CHIP RES 47K OHM 5% 0402	R1166	0613952Q56	CER CHIP RES 200 OHM 5 0402	R1907	0613952R01	CER CHIP RES 10K OHM 5% 0402	U200	5188493T01	IC,VREG/SWG,LP2989,SM,MINI SO-8 HI PRCN REG 5V
R1126	0613952R08	CER CHIP RES 20K OHM 5 0402	R1167	0613952R01	CER CHIP RES 10K OHM 5% 0402	R1908	0613952R01	CER CHIP RES 10K OHM 5% 0402	U201	5175771A99	LOW NOISE, 100MA LINEAR REGULATOR
R1127	0613952R08	CER CHIP RES 20K OHM 5 0402	R1168	0613952R66	CER CHIP RES 0.0 +/-0.050 OHM	R1909	0613952R01	CER CHIP RES 10K OHM 5% 0402	U202	5175772B02	LINEAR REGULATOR 100MA 1.8V
R1128	0613952R01	CER CHIP RES 10K OHM 5% 0402	R1169	0613952P52	CER CHIP RES 340K OHM 1 0402	R1910	0613952Q73	CER CHIP RES 1000 OHM 5% 0402	U203	5175772B01	LINEAR VOLTAGE REGULATOR 350MA
R1129	NOT PLACED	–	R1170	0613952N88	CER CHIP RES 80.6K OHM 1 0402	R1911	0613952Q73	CER CHIP RES 1000 OHM 5% 0402	U402	5180428L15	SW,RF SWITCH,SPDT,SMT,6W, 3V
R1130	NOT PLACED	–	R1171	0613952R66	CER CHIP RES 0.0 +/-0.050 OHM	R1921	0613952R22	CER CHIP RES 75K OHM 5 0402	U403	5180428L15	SW,RF SWITCH,SPDT,SMT,6W, 3V
R1135	0613952R66	CER CHIP RES 0.0 +/-0.050 OHM	R1172	0613952Q89	CER CHIP RES 4700 OHM 5 0402	R1922	0613952R27	CER CHIP RES 120K OHM 5% 0402	U404	5180428L15	SW,RF SWITCH,SPDT,SMT,6W, 3V
R1136	0613952R01	CER CHIP RES 10K OHM 5% 0402	R1174	0613952R01	CER CHIP RES 10K OHM 5% 0402	R1923	0613952R01	CER CHIP RES 10K OHM 5% 0402	U405	5180428L15	SW,RF SWITCH,SPDT,SMT,6W, 3V
R1137	0613952R01	CER CHIP RES 10K OHM 5% 0402	R1175	0613952R66	CER CHIP RES 0.0 +/-0.050 OHM	R1924	0613952Q37	CER CHIP RES 33.0 OHM 5 0402	U406	4885316E32	TRANSISTOR, RF
R1138	0613952R25	CER CHIP RES 100K OHM 5% 0402	R1176	0613952Q73	CER CHIP RES 1000 OHM 5 0402	R1925	0613952Q11	CER CHIP RES 2.7 OHM 5 0402	U407	4885316E32	TRANSISTOR, RF
R1139	0613952R25	CER CHIP RES 100K OHM 5% 0402	R1177	0613952R66	CER CHIP RES 0.0 +/-0.050 OHM	R1935	0613952Q75	CER CHIP RES 1200 OHM 5 0402	U408	5103535B53	IC,INVTR,DL,NC7WZ04L6X, 2PER PKG,SC70
R1140	0613952R25	CER CHIP RES 100K OHM 5% 0402	R1178	0613952R01	CER CHIP RES 10K OHM 5% 0402	R1936	0613952R66	CER CHIP RES 0.0 +/-0.050 OHM	U501	5180428L15	SW,RF SWITCH,SPDT,SMT,6W, 3V
R1141	0613952R42	CER CHIP RES 510K OHM 5 0402	R1179	0613952R66	CER CHIP RES 0.0 +/-0.050 OHM	SH1	2675871B01	SHIELD, FGU	U502	5103535B53	IC,INVTR,DL,NC7WZ04L6X, 2PER PKG,SC70
R1142	0613952R25	CER CHIP RES 100K OHM 5% 0402	R1180	0613952R66	CER CHIP RES 0.0 +/-0.050 OHM	SH2	2675872B01	SHIELD, XTAL	U506	5164852H82	IC, MIXER/ BUFFER
R1143	0613952R25	CER CHIP RES 100K OHM 5% 0402	R1181	NOT PLACED	–	SH3	2675873B01	SHIELD, ABACUS	U601	5102495J14	IC,IF,IF DIGITILIZING SUBSYSTEM IC,AD9864,QFN
R1144	0613952R25	CER CHIP RES 100K OHM 5% 0402	R1182	0613952R01	CER CHIP RES 10K OHM 5% 0402	SH4	2675878B01	SHIELD, FRONT END	U602	4885316E32	TRANSISTOR, RF
R1145	0613952R25	CER CHIP RES 100K OHM 5% 0402	R1183	0613952Q73	CER CHIP RES 1000 OHM 5% 0402	SH5	2675879B01	SHIELD, DRIVER PA	U603	5109522E84	IC DUAL SCHMITT TRIG MICRO PAK
R1146	0613952R25	CER CHIP RES 100K OHM 5% 0402	R1184	0613952Q81	CER CHIP RES 2200 OHM 5% 0402	SH6	2675876B01	SHIELD, VCO	U604	5109522E84	IC DUAL SCHMITT TRIG MICRO PAK
R1151	0613952R01	CER CHIP RES 10K OHM 5% 0402	R1304	NOT PLACED	–	SH7	2675874B01	SHIELD, MIXER	U605	5164852H16	IC TRANSCEIVER W/LEVEL TRANSLATION
						SH8	2675932B01	SHIELD, 2ND LO VCO			
						SH9	2675934B01	SHIELD, DC			

Ref. Des.	Part Number	Description
U606	5164852H16	IC TRANSCEIVER W/LEVEL TRANSLATION
U607	5186311J24	IC,BFR,1BITS,NC7SZ125,ACTIVE HIGH,B
U702	5164015H28	IC,TRIDENT,INTEG SYNTH,RX/TX BSBND
U703	5175772B06	28-PORT I/O EXPANDER
U708	5171972L01	SP3T RF SWITCH
U709	5171972L01	SP3T RF SWITCH
U710	5171972L01	SP3T RF SWITCH
U711	5171972L01	SP3T RF SWITCH
U746	4805218N63	RF TRANS SOT 323 Bfq67W
U1001	5175143H01	WIDE SUPPLY RANGE OP AMP
U1002	51012101001	VHF/UHF/800/900 MHZ LDMOS DRIVER IC
U1101	5188032U43	IC,SENSING CIRCUIT,INA138,SM,SOT-23/5,1PER PKG
U1102	5175772B03	RECONFIGURABLE 10W SP5T/3T RF SWITC
U1103	5185070Y01	IC TEMPERATURE SENSOR PB-FREE
U1104	5185941F56	IC SINGLE LV LP OP AMPLIFIER
U1105	5180390L83	IC,CNTRLR,SM,1PER PKG
U1106	5175772B05	PRECISION RF DETECTOR
U1109	5114007M32	IC,OR,2PER PKG,SM,US8,PB-FREE
U1110	5180428L15	SW,RF SWITCH,SPDT,SMT,6W,3V
U1111	5175771A26	CMOS FET SWITCH SPDT,10WATTS
U1112	5175772B04	1 DB LSB GAAS MMIC ATTENUATOR
U1113	5185941F56	IC SINGLE LV LP OP AMPLIFIER
U1114	5185941F56	IC SINGLE LV LP OP AMPLIFIER
U1116	5109522E93	2 INPUT OR GATE IN NANO PACKAGE (C87)
U1117	5103535B53	IC,INVTR,DL,NC7WZ04L6X,2PER PKG,SC70
U1118	5188085K11	IC, SINGLE NAND GATE, 2-INPUT,POSITIVE, 5 DSBGA, PB-FREE
U1119	5186311J53	IC,AND,DUAL 2-INPUT AND GATE,NC7WZ08,2PER PKG,SM,MSOP

Ref. Des.	Part Number	Description
U1121	5114000B52	IC,XOR,LOGIC LEVEL SHIFTER,1PER PKG,SM, SOT-353,PB-FREE
U1122	5180428L15	SW,RF SWITCH,SPDT,SMT,6W,3V
U1123	5188085K11	IC, SINGLE NAND GATE, 2-INPUT,POSITIVE, 5 DSBGA, PB-FREE
U1125	5175206H01	QUAD 12-BIT DAC IC
U1126	5109817F77	IC COMPTR LM7275 5SC70 (D54)
U1127	5171779H01	SPDT ANALOG SWITCH
U1128	5188085K11	IC, SINGLE NAND GATE, 2-INPUT, POSITIVE, 5 DSBGA, PB-FREE
U1129	5175143H01	WIDE SUPPLY RANGE OP AMP
U1130	5175143H01	WIDE SUPPLY RANGE OP AMP
U1131	5109817F77	IC COMPTR LM7275 5SC70 (D54)
U1132	5114007M28	IC,F-F/D,1PER PKG,17SZ74,N-I,SM,SOIC8,PB-FREE
U1133	5171779H01	SPDT ANALOG SWITCH
U1136	5109522E94	2 INPUT AND GATE IN NANO PACKAGE (C87)
U1137	5164852H16	IC TRANSCEIVER W/LEVEL TRANSLATION
U1138	5164852H16	IC TRANSCEIVER W/LEVEL TRANSLATION
U1139	5164852H16	IC TRANSCEIVER W/LEVEL TRANSLATION
U1140	5171779H01	SPDT ANALOG SWITCH
U1141	5185941F56	IC SINGLE LV LP OP AMPLIFIER
U1142	5185941F56	IC SINGLE LV LP OP AMPLIFIER
U1143	5185941F56	IC SINGLE LV LP OP AMPLIFIER
U1144	5171779H01	SPDT ANALOG SWITCH
U1145	5171779H01	SPDT ANALOG SWITCH
U1146	5109522E93	2 INPUT OR GATE IN NANO PACKAGE (C87)
U1147	5109522E94	2 INPUT AND GATE IN NANO PACKAGE (C87)
U1148	5185941F56	IC SINGLE LV LP OP AMPLIFIER
U1304	5105739X13	IC, SIGE GPS LOW NOISE AMP 1575 MHZ

Ref. Des.	Part Number	Description
U1500	51012101001	VHF/UHF/800/900 MHZ LDMOS DRIVER IC
U1501	5175143H01	WIDE SUPPLY RANGE OP AMP
U1932	4885316E32	TRANSISTOR, RF
VR101	4813977M29	DIODE,VREF,MBZ5250,SM,SOT-23,20V,.225W,ZEN
VR200	4813977M29	DIODE,VREF,MBZ5250,SM,SOT-23,20V,.225W,ZEN
VR601	4805656W87	DIODE,VCTR, @ 15V,1SV279, SOD-523/SC-79
VR602	4805656W87	DIODE,VCTR, @ 15V,1SV279, SOD-523/SC-79
VR1905	4815096H01	VARACTOR DIODE 1SV305
VR1906	4815096H01	VARACTOR DIODE 1SV305
VR1907	4815096H01	VARACTOR DIODE 1SV305
VR1908	4815096H01	VARACTOR DIODE 1SV305
VR1910	4815096H01	VARACTOR DIODE 1SV305
VR1920	4815096H01	VARACTOR DIODE 1SV305
Y701	4871886H01	16.8 MHZ VCTXO .8PPM
Y704	5164852H68	IC, VCO MODULE
Y705	5164852H66	IC, VCO MODULE
Y706	5164852H65	IC, VCO MODULE
Y707	5164852H67	IC, VCO MODULE

Notes

8.8 Transceiver (RF) Boards: UHF2/VHF

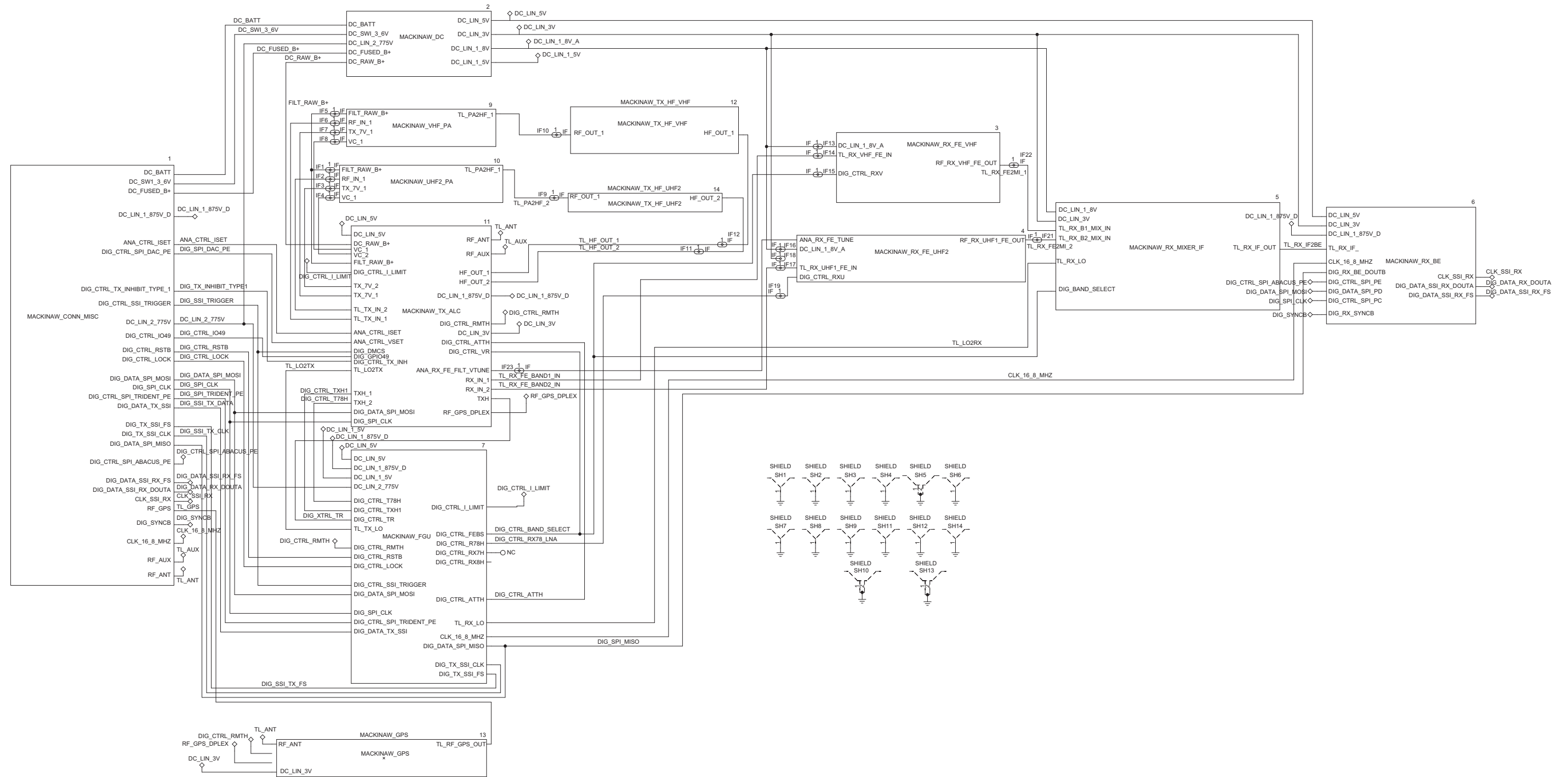


Figure 8-99. MNUT4004A/C/E Transceiver (RF) Board Overall Circuit Schematic

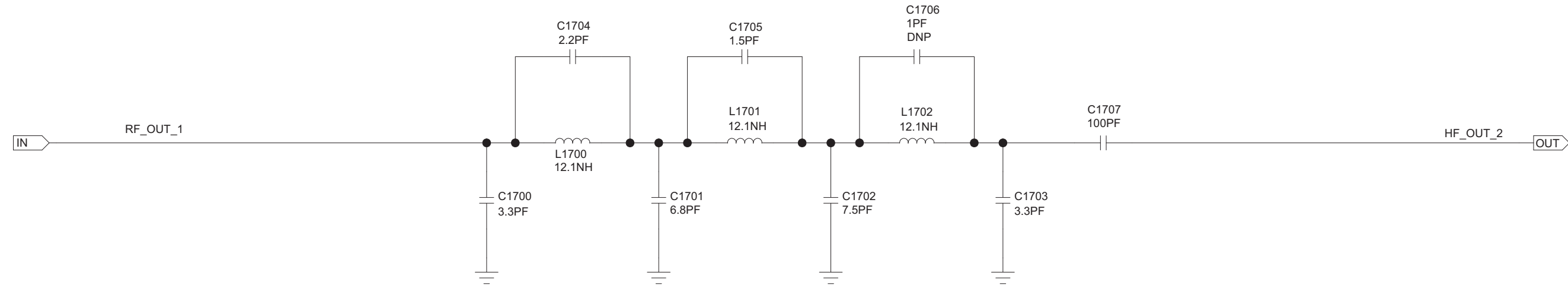


Figure 8-100. MNUT4004A/C/E UHF2 Harmonic Filter Circuit

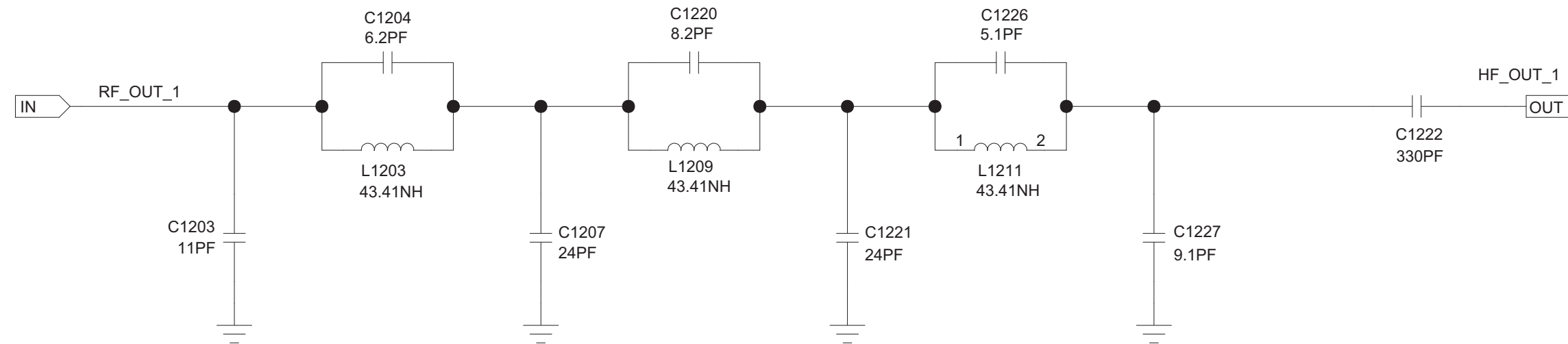


Figure 8-101. MNUT4004A/C/E VHF MHz Harmonic Filter Circuit

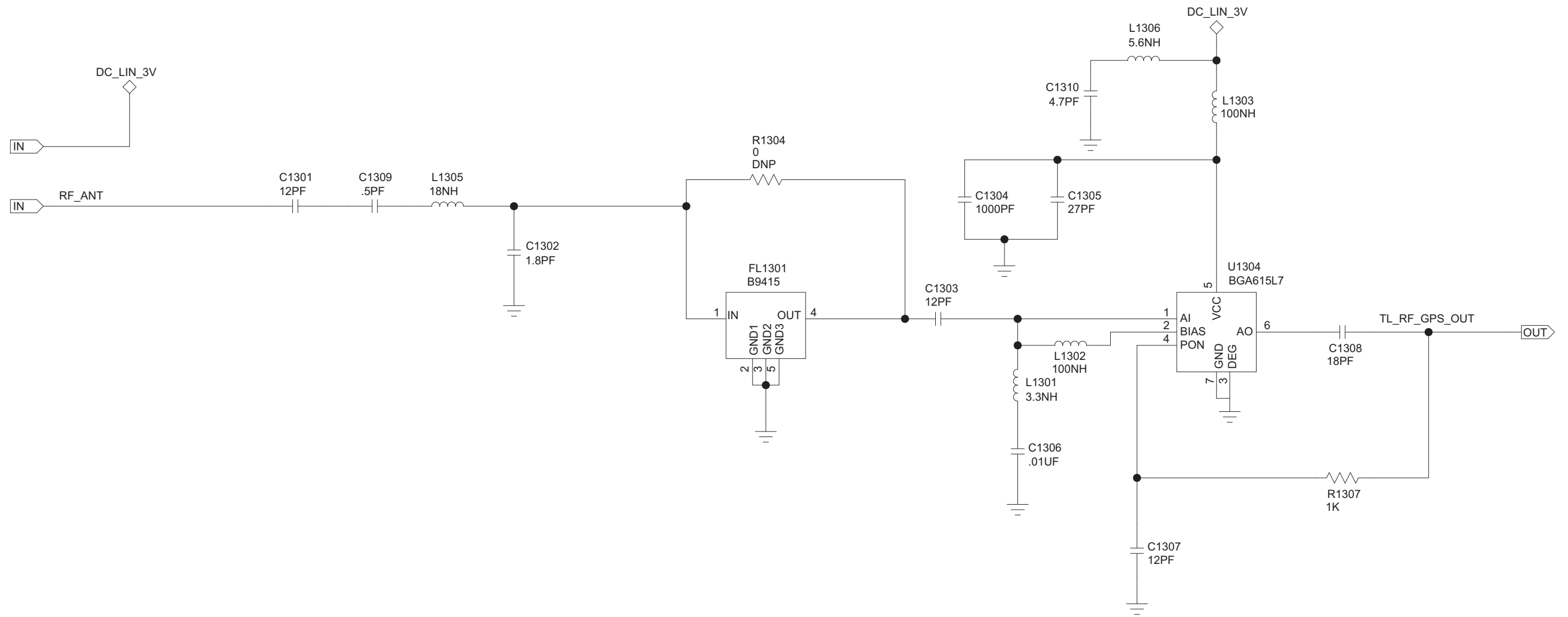


Figure 8-102. MNUT4004A/C/EGPS Circuit

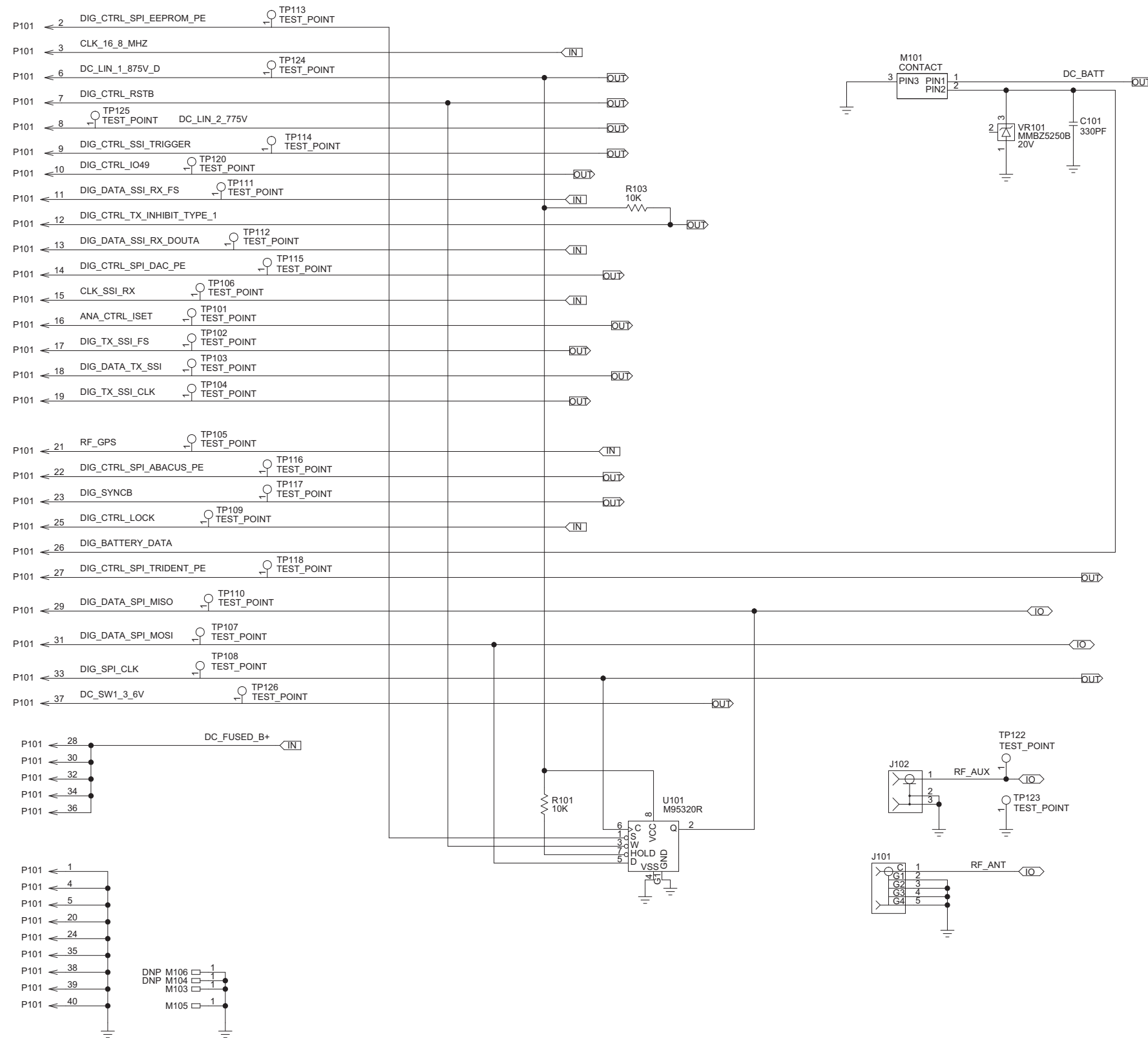


Figure 8-103. MNUT4004A/C/E Miscellaneous Connector Circuit

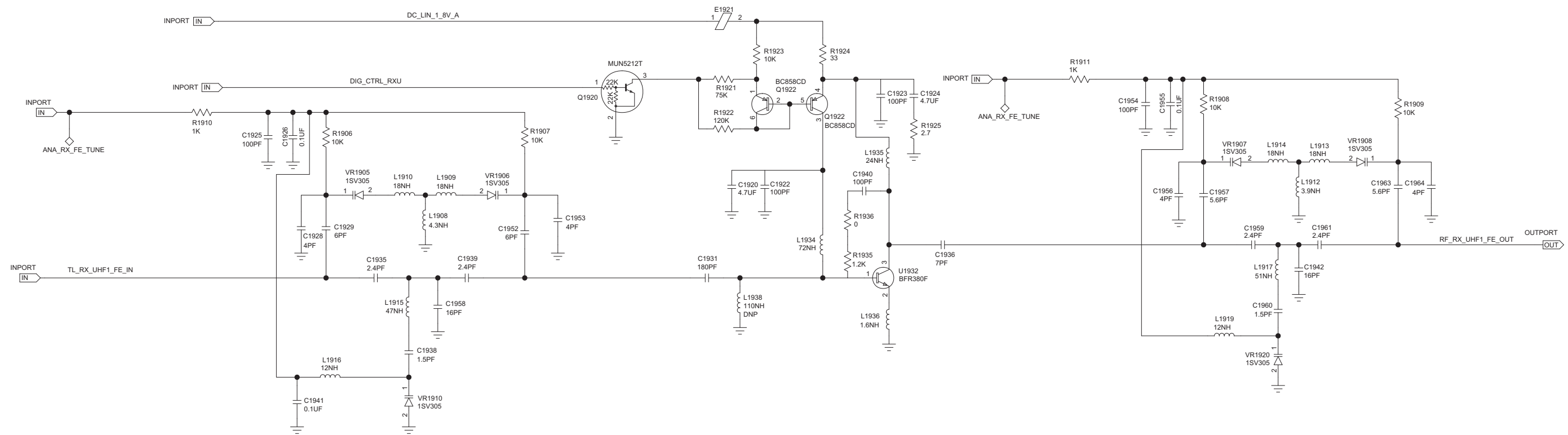


Figure 8-104. MNUT4004A/C/E UHF2 Receiver Front End Circuit

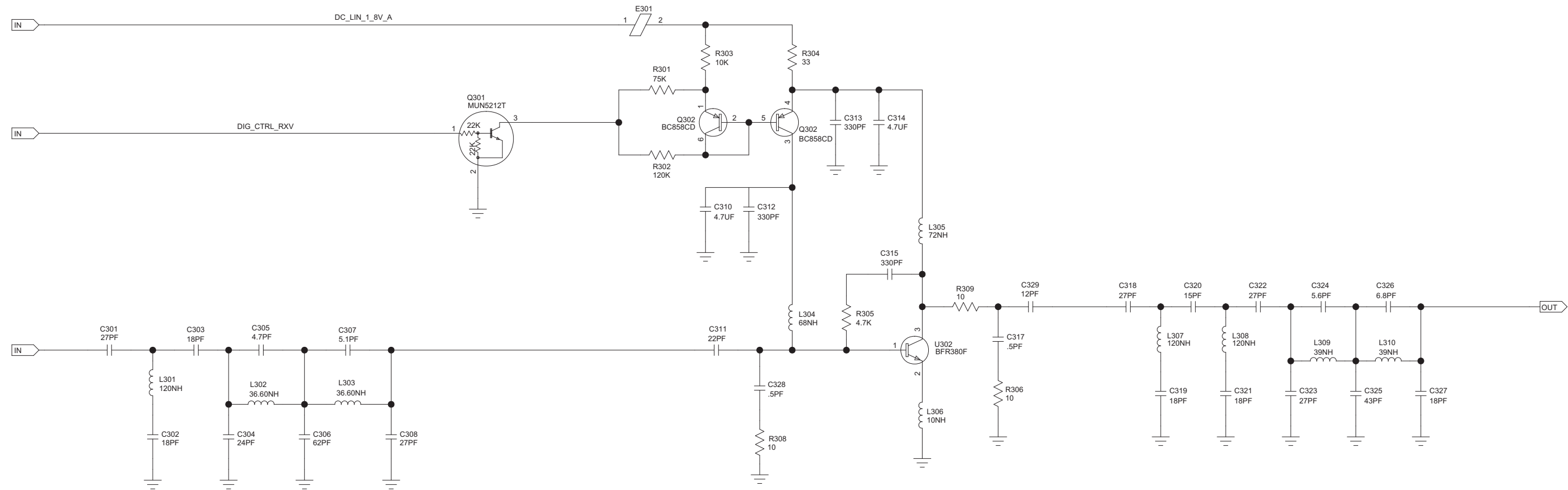


Figure 8-105. MNUT4004A/C/E VHF Receiver Front End Circuit

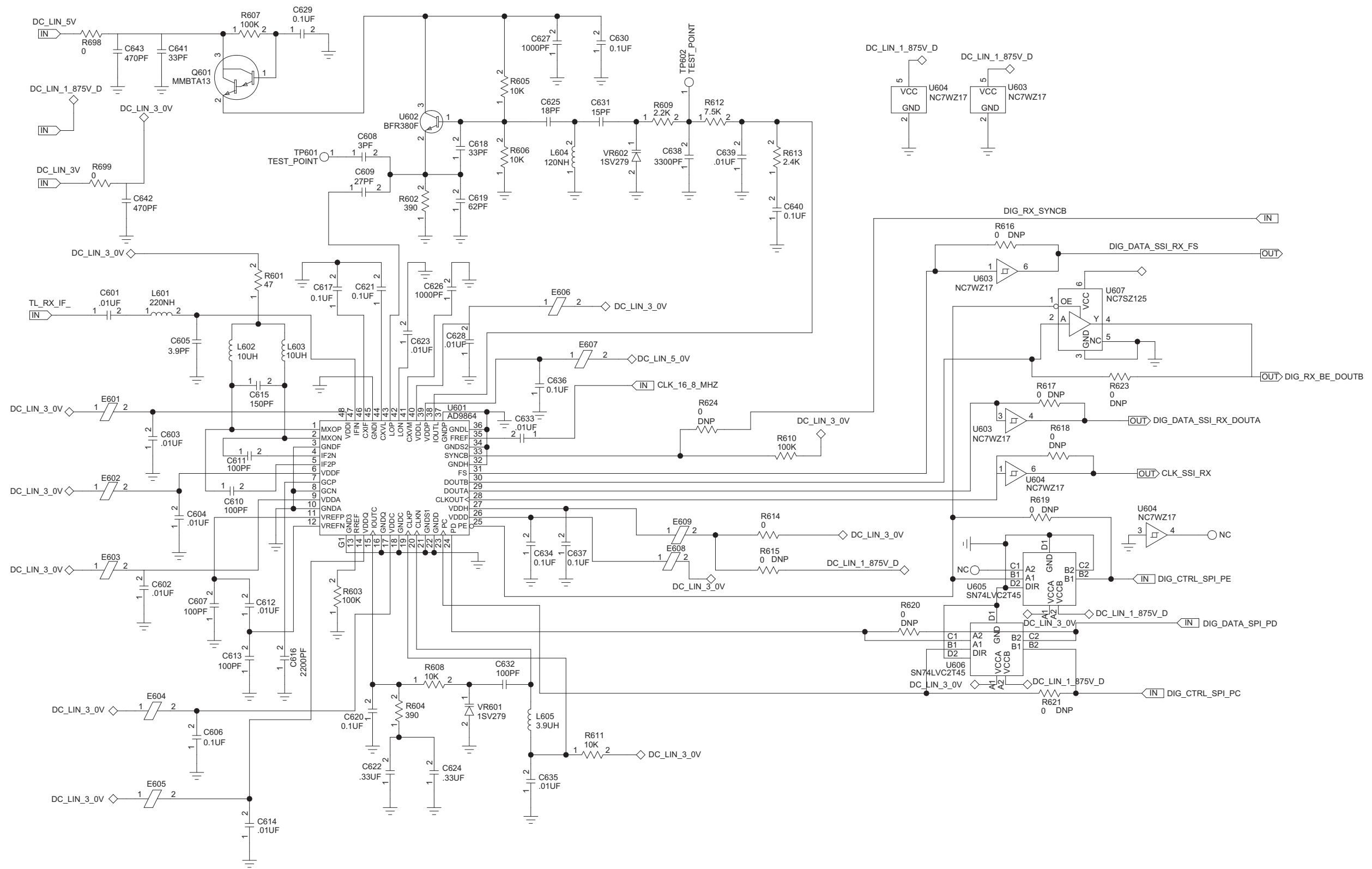


Figure 8-106. MNUT4004A/C Receiver Back End Circuit

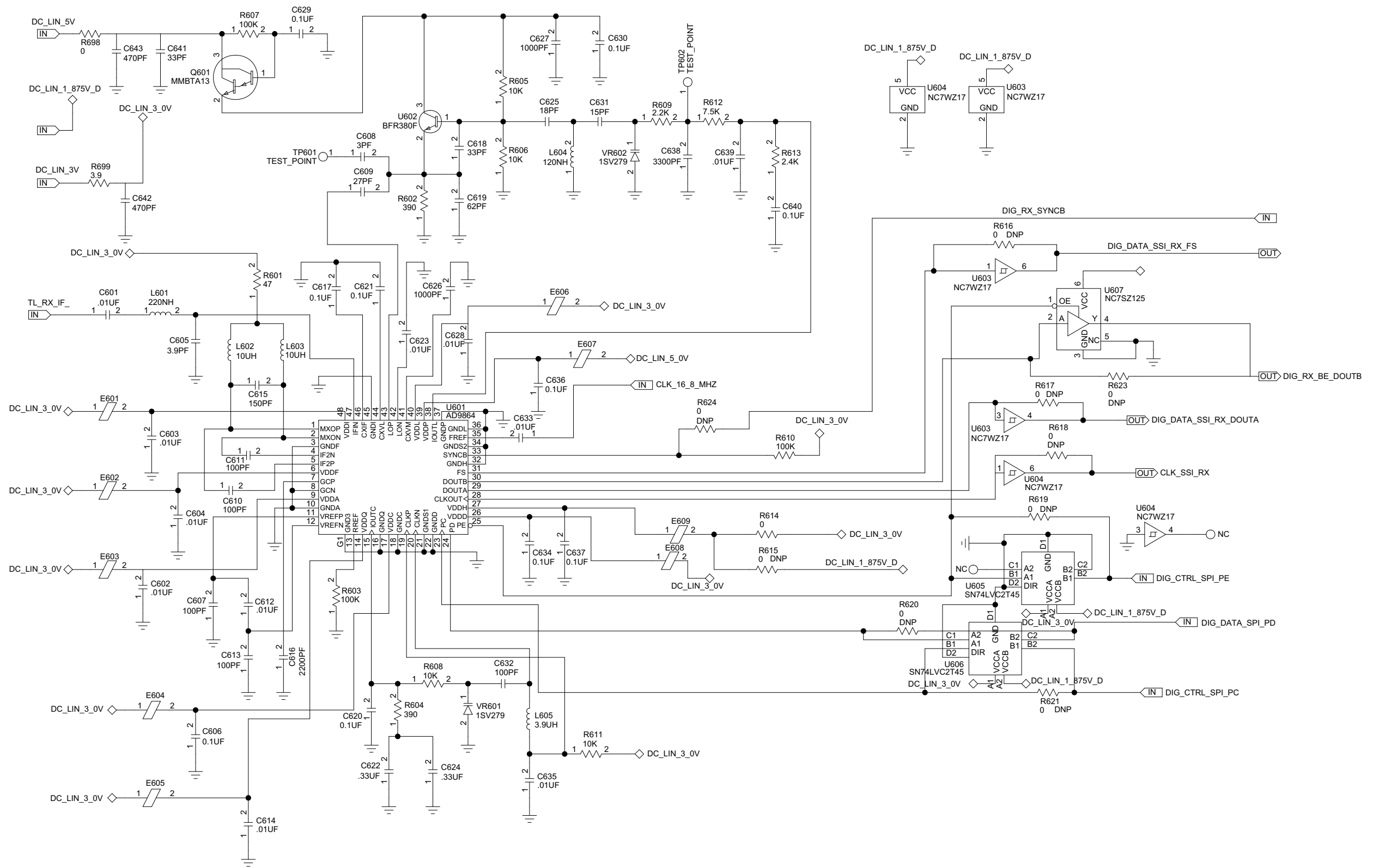


Figure 8-107. MNUT4004E Receiver Back End Circuit

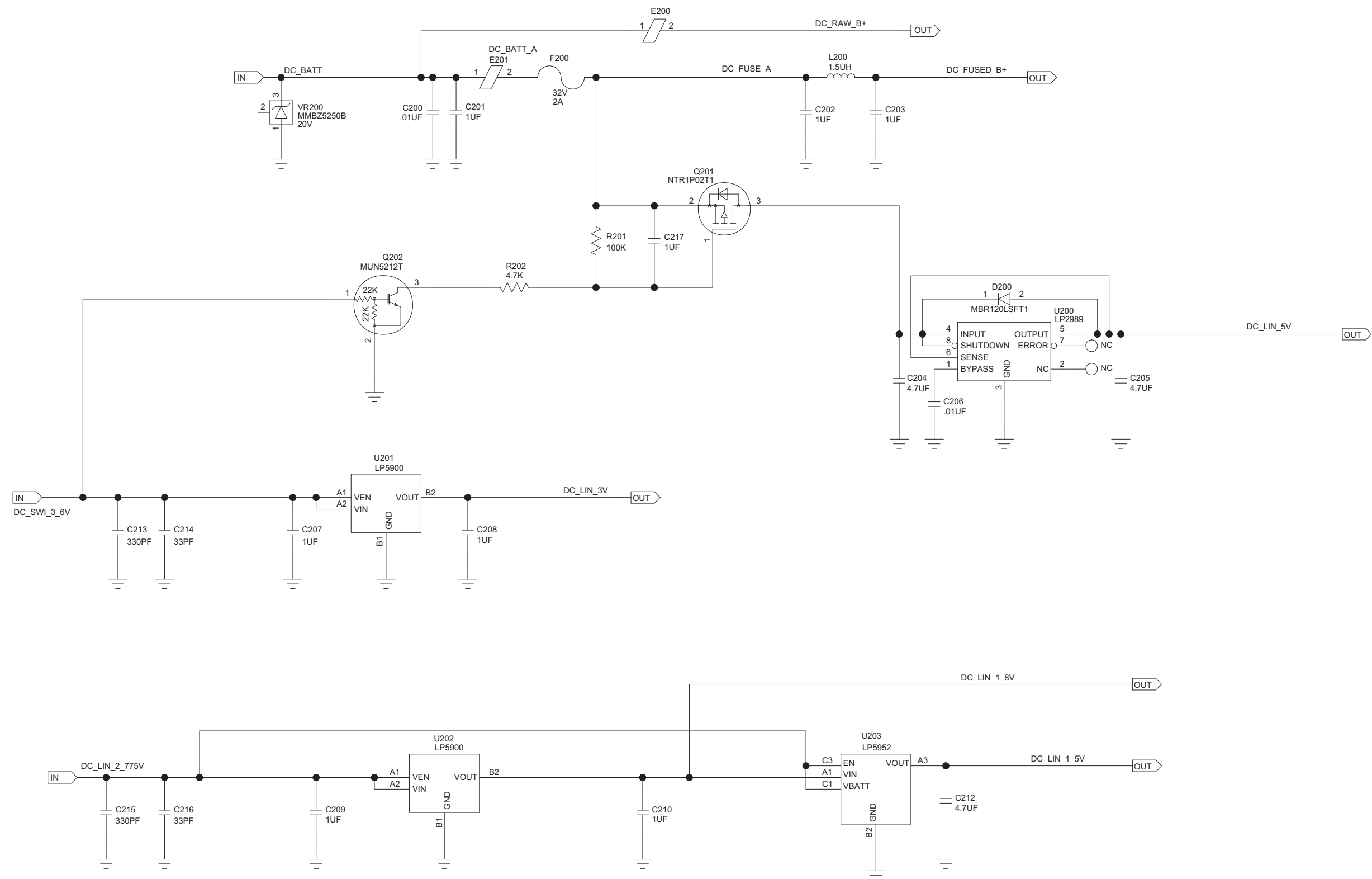


Figure 8-108. MNUT4004A/C/E DC Power Circuit

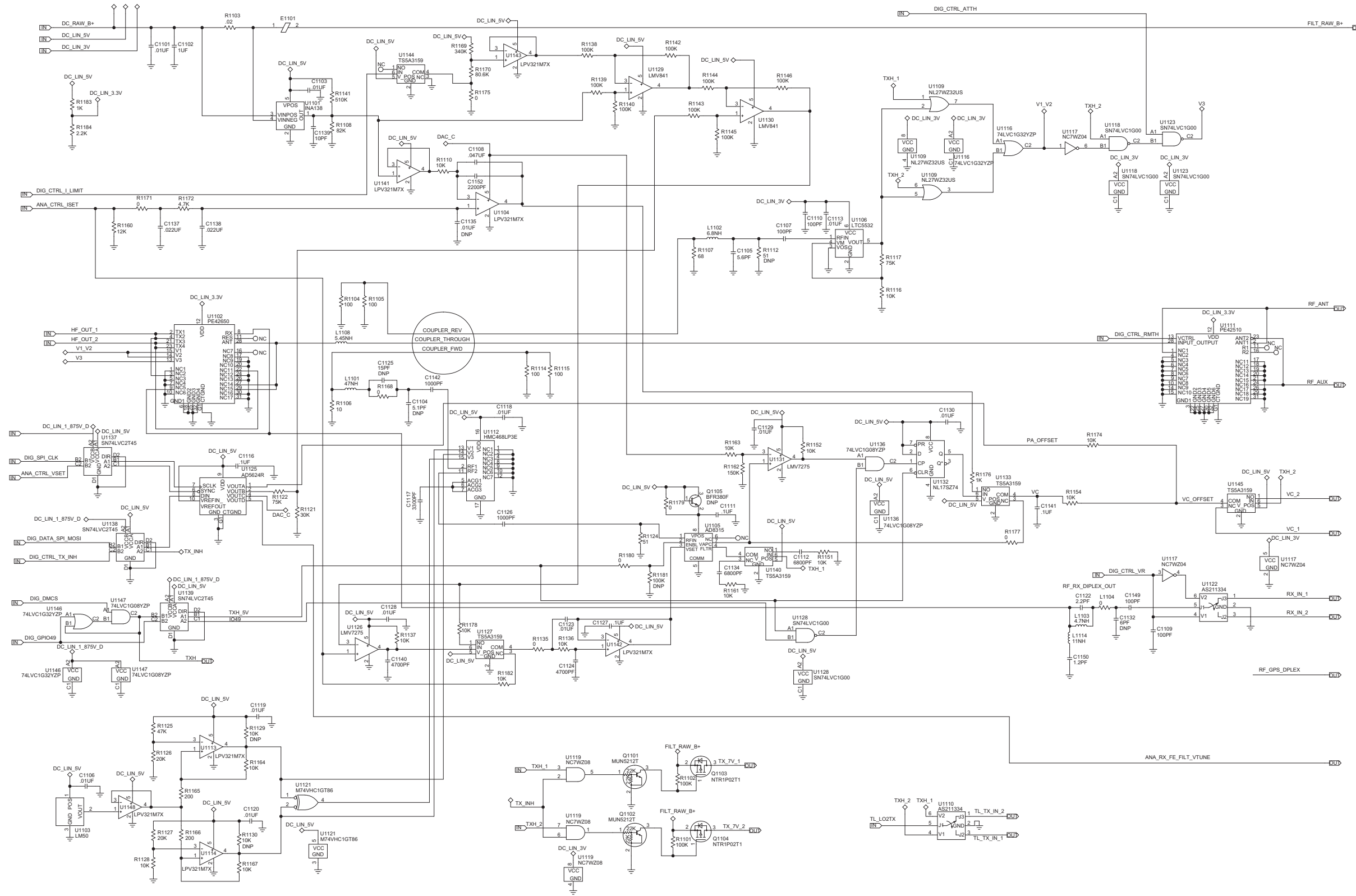


Figure 8-109. MNUT4004A/C/E Transmitter and Automatic Level Control Circuits

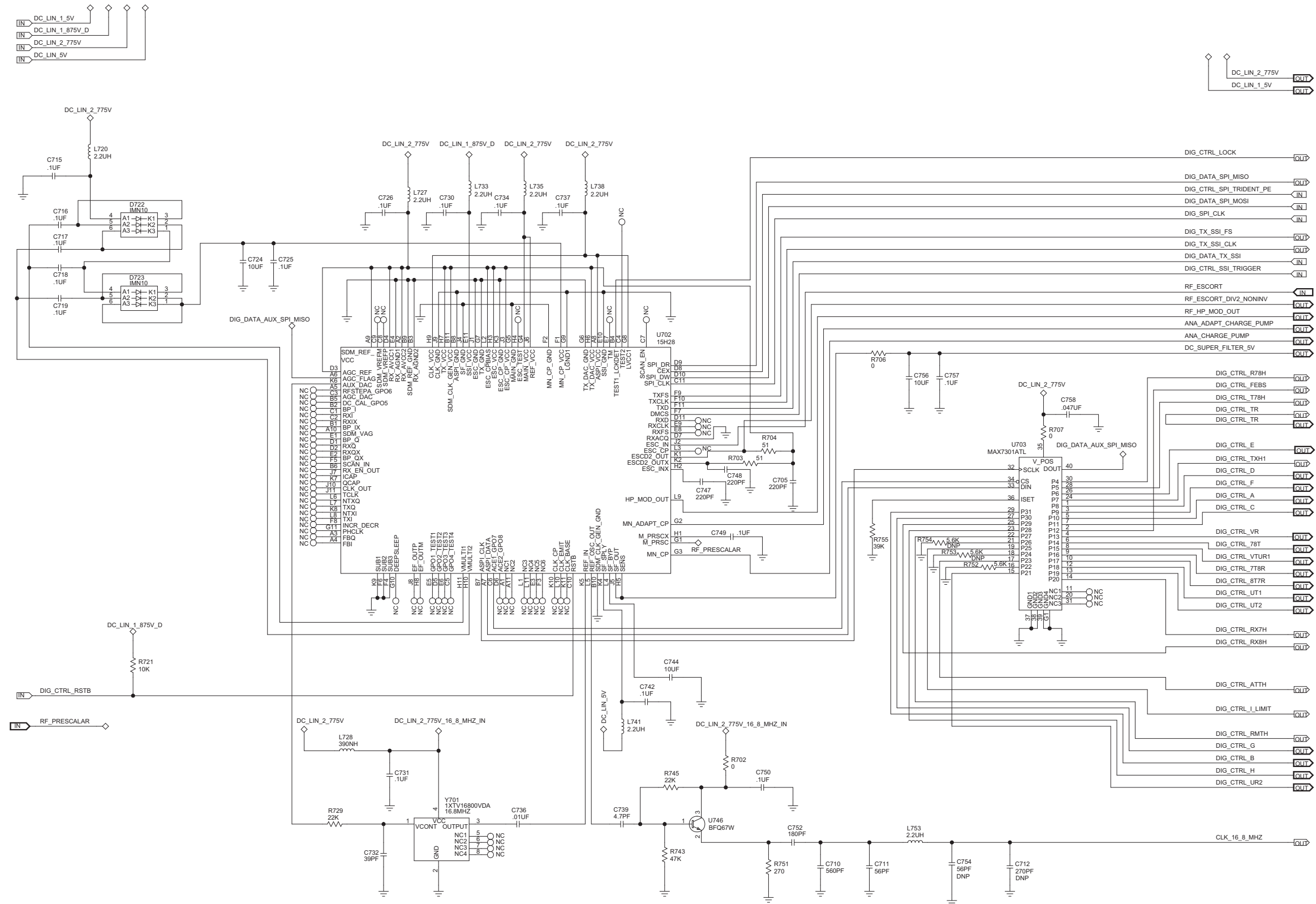


Figure 8-110. MNUT4004A/C/E Frequency Generation Unit (Synthesizer) Circuit – 1 of 2

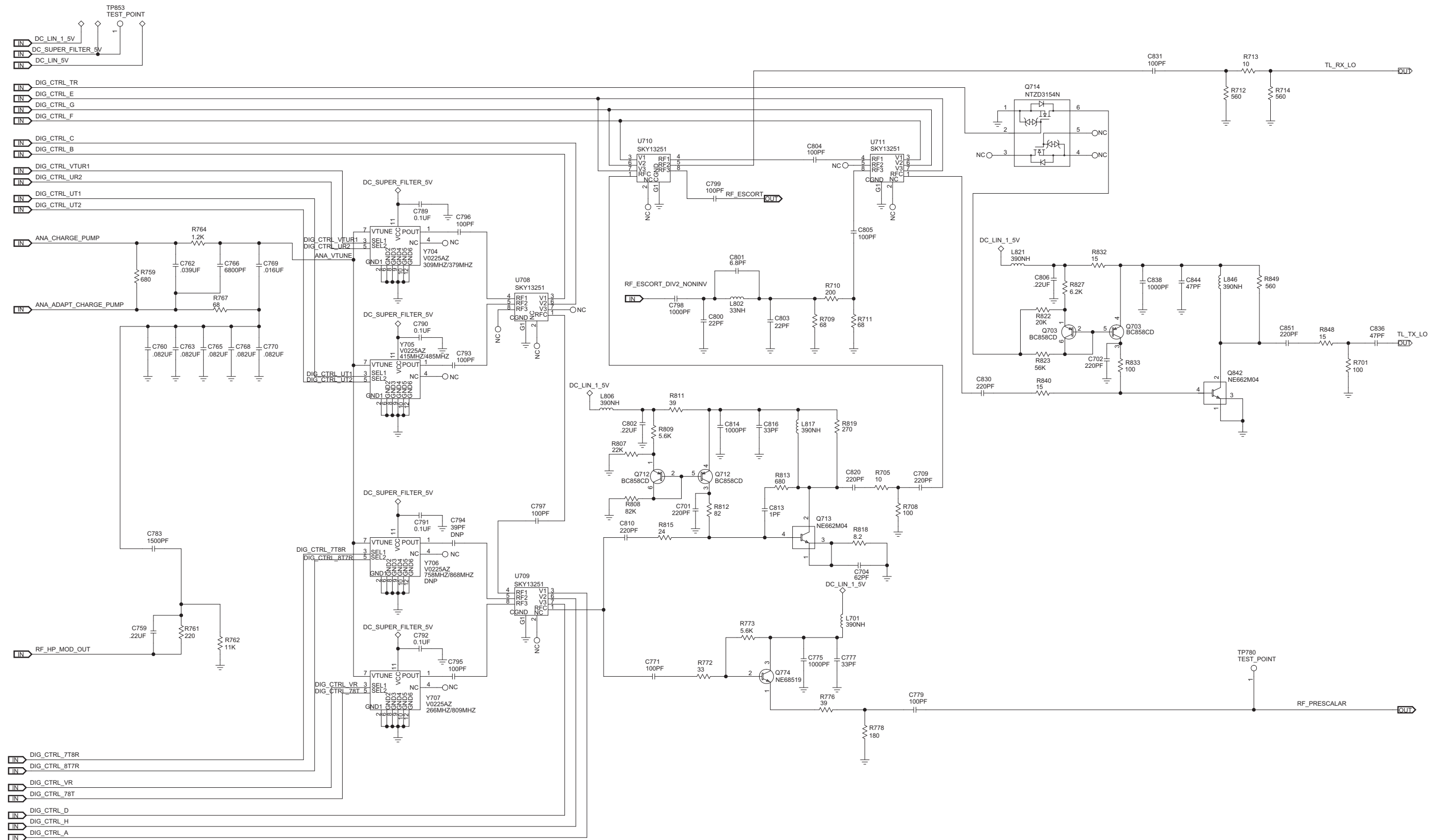


Figure 8-111. MNUT4004A/C/E Frequency Generation Unit (VCO) Circuit – 2 of 2

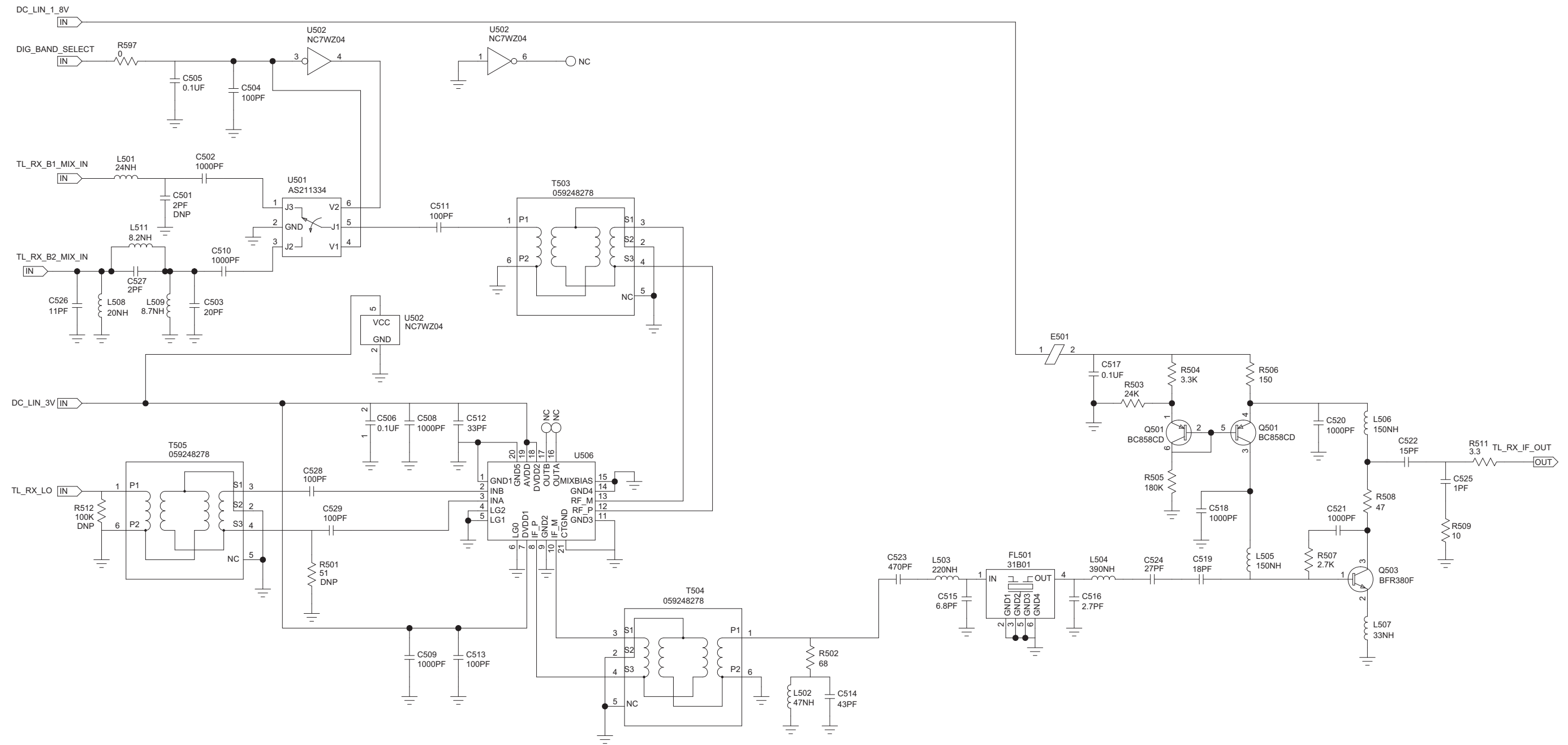


Figure 8-112. MNUT4004A/C/E Mixer and IF Filter Circuits

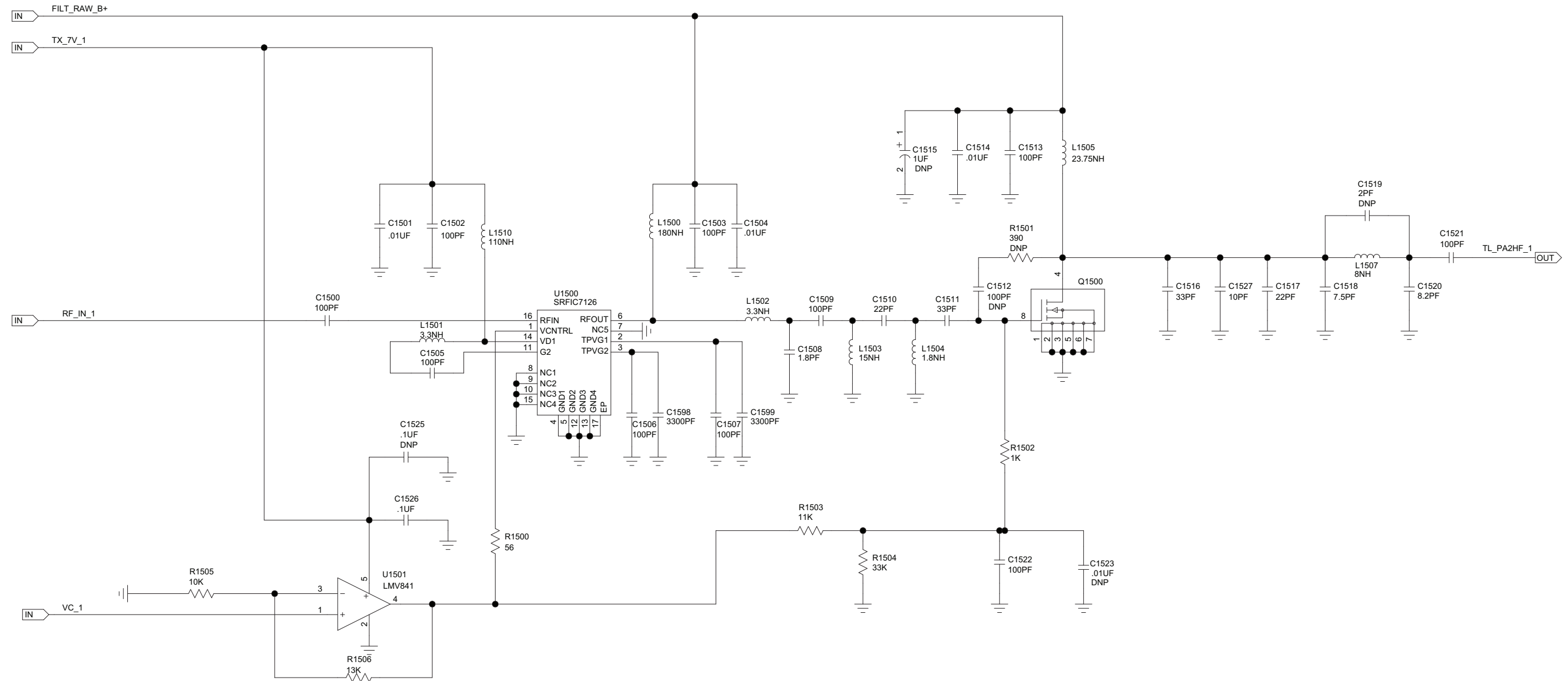


Figure 8-113. MNUT4004A UHF2 Power Amplifier Circuit

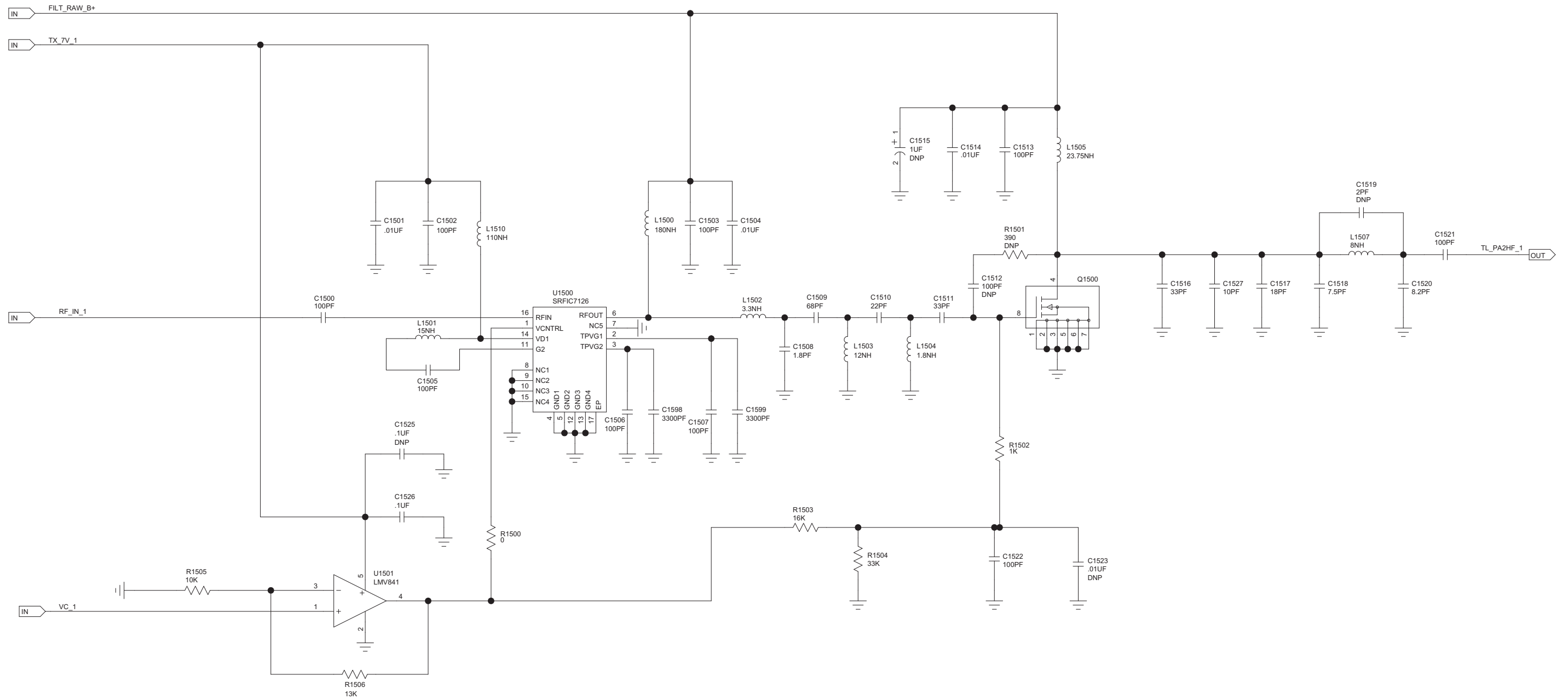


Figure 8-114. MNUT4004C/E UHF2 Power Amplifier Circuit

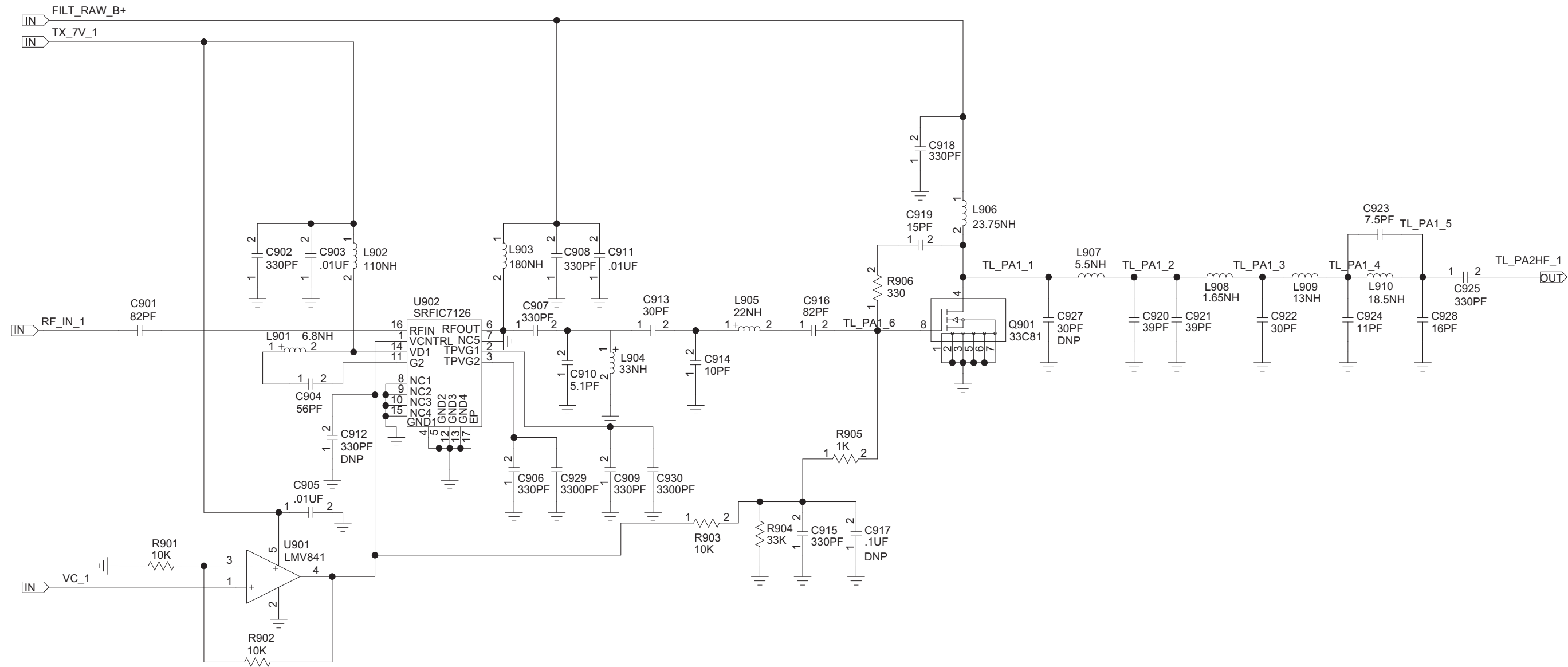


Figure 8-115. MNUT4004A/C/E VHF Power Amplifier Circuit

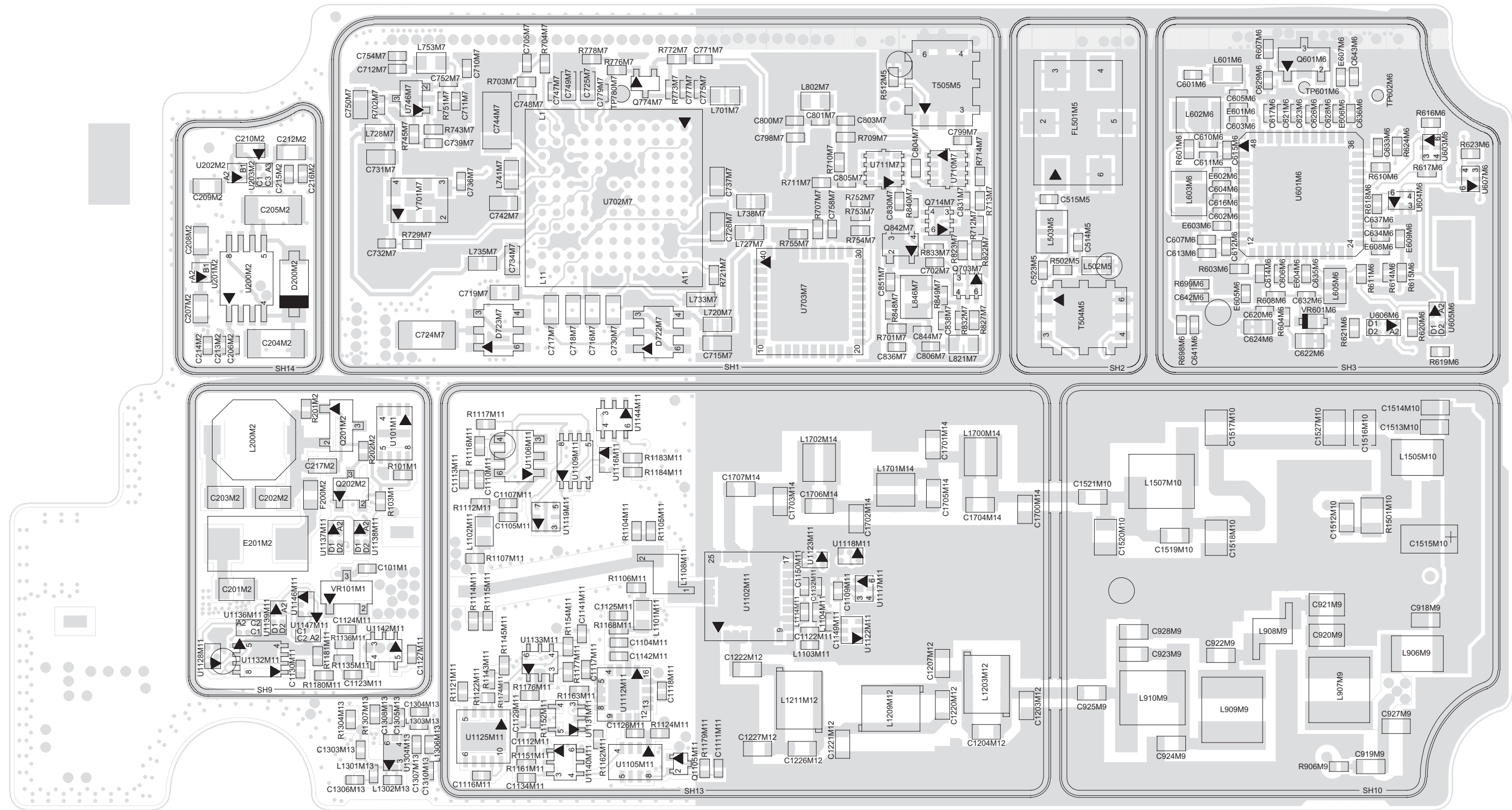


Figure 8-116. MNUT4004A/C/E Transceiver (RF) Board Layout – Side 1

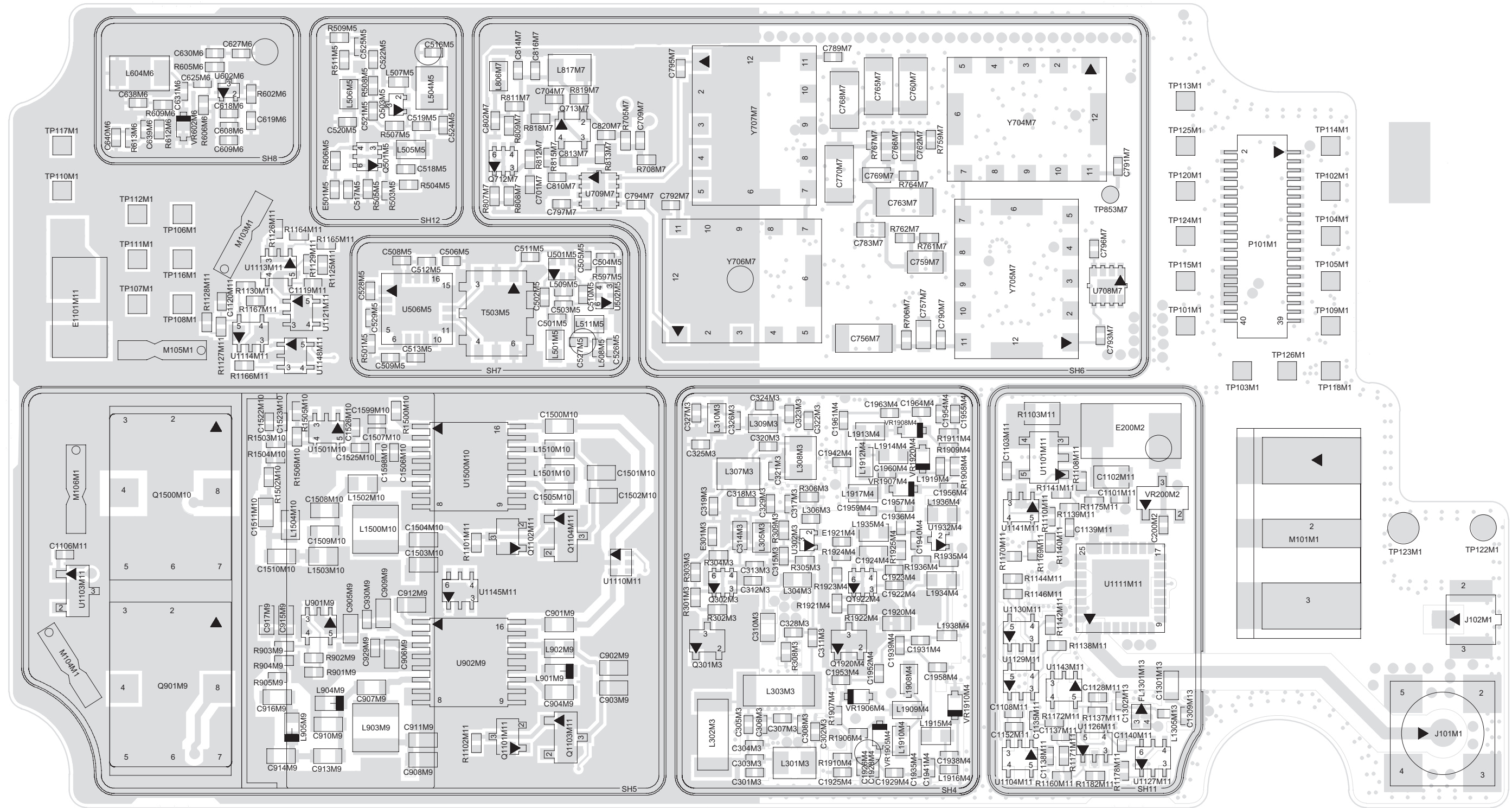


Figure 8-117. MNUT4004A/C/E T Transceiver (RF) Board Layout – Side 2

MNUT4004A UHF2/VHF Transceiver (RF)
Board Parts List

Ref. Des.	Part Number	Description
C101	2113944A46	CAP CER CHP 330.0 PF 50V 5%
C200	2113945B02	CAP CER CHP 10,000PF 25V 10%
C201	2188468Y01	CAP CER 25V X7R 0805 1UF
C202	2188468Y01	CAP CER 25V X7R 0805 1UF
C203	2188468Y01	CAP CER 25V X7R 0805 1UF
C204	2113955D35	CAP,FXD,4.7UF,+10%,-10%, 16V-DC,1206,X7R,-55DEG CMIN, 125DEG CMAX
C205	2113955D35	CAP,FXD,4.7UF,+10%,-10%, 16V-DC,1206,X7R,-55DEG CMIN, 125DEG CMAX
C206	2113945B02	CAP CER CHP 10,000PF 25V 10%
C207	2113956B91	CAP,FXD,1UF,+10%,-10%,16V-DC,0603,X5R,-55DEG CMIN, 85DEG CMAX,PB
C208	2113956B91	CAP,FXD,1UF,+10%,-10%,16V-DC,0603,X5R,-55DEG CMIN, 85DEG CMAX,PB
C209	2113956B91	CAP,FXD,1UF,+10%,-10%,16V-DC,0603,X5R,-55DEG CMIN, 85DEG CMAX,PB
C210	2113956B91	CAP,FXD,1UF,+10%,-10%,16V-DC,0603,X5R,-55DEG CMIN, 85DEG CMAX,PB
C212	2113946D07	CAP,CHIP,4.7UF,+10%,-10%, 6.3V-DC,0603,X5R,-55DEG CMIN,85DEG CMA
C213	2113944A46	CAP CER CHP 330.0 PF 50V 5%
C214	2113944A31	CAP CER CHP 33.0PF 50V 5%
C215	2113944A46	CAP CER CHP 330.0 PF 50V 5%
C216	2113944A31	CAP CER CHP 33.0PF 50V 5%
C217	2113956B91	CAP,FXD,1UF,+10%,-10%,16V-DC,0603,X5R,-55DEG CMIN, 85DEG CMAX,PB
C301	2113944A30	CAP CER CHP 27.0PF 50V 5%
C302	2113944A28	CAP CER CHP 18.0PF 50V 5%
C303	2113944A28	CAP CER CHP 18.0PF 50V 5%
C304	2113944A81	CAP,FXD,24PF,+5%,-5%,50V-DC,0402,C0G,-55DEG CMIN, 125DEG CMAX,PB

Ref. Des.	Part Number	Description
C305	2113944A17	CAP CER CHP 4.7PF 50V +/- 0.25PF
C306	2113944A35	CAP CER CHP 62.0PF 50V 5%
C307	2113944A18	CAP CER CHP 5.1PF 50V +/- 0.5PF
C308	2113944A30	CAP CER CHP 27.0PF 50V 5%
C310	2113946D07	CAP,CHIP,4.7UF,+10%,-10%, 6.3V-DC,0603,X5R,-55DEG CMIN,85DEG CMA
C311	2113944A29	CAP CER CHP 22.0PF 50V 5%
C312	2113944A46	CAP CER CHP 330.0 PF 50V 5%
C313	2113944A46	CAP CER CHP 330.0 PF 50V 5%
C314	2113946D07	CAP,CHIP,4.7UF,+10%,-10%, 6.3V-DC,0603,X5R,-55DEG CMIN,85DEG CMA
C315	2113944A46	CAP CER CHP 330.0 PF 50V 5%
C317	2175389H01	CAP,.5PF, CHIP, 0402, CERAMIC, 50 V
C318	2113944A30	CAP CER CHP 27.0PF 50V 5%
C319	2113944A28	CAP CER CHP 18.0PF 50V 5%
C320	2113944A27	CAP CER CHP 15.0PF 50V 5%
C321	2113944A28	CAP CER CHP 18.0PF 50V 5%
C322	2113944A30	CAP CER CHP 27.0PF 50V 5%
C323	2113944A30	CAP CER CHP 27.0PF 50V 5%
C324	2113944A19	CAP CER CHP 5.6PF 50V +/- 0.5PF
C325	2113944A84	CAP,FXD,43PF,+5%,-5%,50V-DC,0402,C0G,-55DEG CMIN, 125DEG CMAX,PB
C326	2113944A21	CAP CER CHP 6.8PF 50V +/- 0.5PF
C327	2113944A28	CAP CER CHP 18.0PF 50V 5%
C328	2175389H01	CAP,.5PF, CHIP, 0402, CERAMIC, 50 V
C329	2115153H35	CAP, CERAMIC, COG
C501	NOT PLACED	-
C502	2113945A09	CAP CER CHP 1000PF 50V 10%
C503	2115153H40	CAP, CERAMIC, COG
C504	2113944A40	CAP CER CHP 100.0PF 50V 5%
C505	2113946B04	CAP CER CHP 0.10UF 10V 10%
C506	2113946B04	CAP CER CHP 0.10UF 10V 10%
C508	2113945A09	CAP CER CHP 1000PF 50V 10%

Ref. Des.	Part Number	Description
C509	2113945A09	CAP CER CHP 1000PF 50V 10%
C510	2113944A52	CAP CER CHP 1000.0 PF 50V 5%
C511	2113944A40	CAP CER CHP 100.0PF 50V 5%
C512	2113944A31	CAP CER CHP 33.0PF 50V 5%
C513	2113944A40	CAP CER CHP 100.0PF 50V 5%
C514	2113944A84	CAP,FXD,43PF,+5%,-5%,50V-DC, 0402,C0G,-55DEG CMIN, 125DEG CMAX,PB
C515	2113944A21	CAP CER CHP 6.8PF 50V +/- 0.5PF
C516	2113944A11	CAP CER CHP 2.7PF 50V +/- 0.25PF
C517	2113946B04	CAP CER CHP 0.10UF 10V 10%
C518	2113945A09	CAP CER CHP 1000PF 50V 10%
C519	2113944A28	CAP CER CHP 18.0PF 50V 5%
C520	2113945A09	CAP CER CHP 1000PF 50V 10%
C521	2113945A09	CAP CER CHP 1000PF 50V 10%
C522	2113944A27	CAP CER CHP 15.0PF 50V 5%
C523	2113944A48	CAP CER CHP 470.0 PF 50V 5%
C524	2113944A30	CAP CER CHP 27.0PF 50V 5%
C525	2115153H03	CAP, CERAMIC, COG
C526	2115153H34	CAP, CERAMIC, COG
C527	2115153H10	CAP, CERAMIC, COG
C528	2113944A40	CAP CER CHP 100.0PF 50V 5%
C529	2113944A40	CAP CER CHP 100.0PF 50V 5%
C601	2113945B02	CAP CER CHP 10,000PF 25V 10%
C602	2113945B02	CAP CER CHP 10,000PF 25V 10%
C603	2113945B02	CAP CER CHP 10,000PF 25V 10%
C604	2113945B02	CAP CER CHP 10,000PF 25V 10%
C605	2113944A15	CAP CER CHP 3.9PF 50V +/- 0.25PF
C606	2113946B04	CAP CER CHP 0.10UF 10V 10%
C607	2113944A40	CAP CER CHP 100.0PF 50V 5%
C608	2113944A12	CAP CER CHP 3.0PF 50V +/- 0.25PF
C609	2113944A30	CAP CER CHP 27.0PF 50V 5%
C610	2113944A40	CAP CER CHP 100.0PF 50V 5%
C611	2113944A40	CAP CER CHP 100.0PF 50V 5%

Ref. Des.	Part Number	Description
C612	2113945B02	CAP CER CHP 10,000PF 25V 10%
C613	2113944A40	CAP CER CHP 100.0PF 50V 5%
C614	2113945B02	CAP CER CHP 10,000PF 25V 10%
C615	2113944A42	CAP CER CHP 150.0PF 50V 5%
C616	2113945A11	CAP CER CHP 2200PF 50V 10%
C617	2113946B04	CAP CER CHP 0.10UF 10V 10%
C618	2113944A31	CAP CER CHP 33.0PF 50V 5%
C619	2113944A35	CAP CER CHP 62.0PF 50V 5%
C620	2113946B04	CAP CER CHP 0.10UF 10V 10%
C621	2113946B04	CAP CER CHP 0.10UF 10V 10%
C622	2113946C07	CAP,FXD,.33UF,+10%,-10%, 10V-DC,0603,X5R,-55DEG CMIN, 85DEG CMAX
C623	2113945B02	CAP CER CHP 10,000PF 25V 10%
C624	2113946C07	CAP,FXD,.33UF,+10%,-10%, 10V-DC,0603,X5R,-55DEG CMIN, 85DEG CMAX
C625	2113944A28	CAP CER CHP 18.0PF 50V 5%
C626	2113945A09	CAP CER CHP 1000PF 50V 10%
C627	2113945A09	CAP CER CHP 1000PF 50V 10%
C628	2113945B02	CAP CER CHP 10,000PF 25V 10%
C629	2113946B04	CAP CER CHP 0.10UF 10V 10%
C630	2113946B04	CAP CER CHP 0.10UF 10V 10%
C631	2113944A27	CAP CER CHP 15.0PF 50V 5%
C632	2113944A40	CAP CER CHP 100.0PF 50V 5%
C633	2113945B02	CAP CER CHP 10,000PF 25V 10%
C634	2113946B04	CAP CER CHP 0.10UF 10V 10%
C635	2113945B02	CAP CER CHP 10,000PF 25V 10%
C636	2113946B04	CAP CER CHP 0.10UF 10V 10%
C637	2113946B04	CAP CER CHP 0.10UF 10V 10%
C638	2113945A12	CAP CER CHP 3300PF 50V 10%
C639	2113945B02	CAP CER CHP 10,000PF 25V 10%
C640	2113946B04	CAP CER CHP 0.10UF 10V 10%
C641	2113944A31	CAP CER CHP 33.0PF 50V 5%
C642	2113944A48	CAP CER CHP 470.0 PF 50V 5%

Ref. Des.	Part Number	Description	Ref. Des.	Part Number	Description	Ref. Des.	Part Number	Description	Ref. Des.	Part Number	Description
C643	2113944A48	CAP CER CHP 470.0 PF 50V 5%	C737	2113945C31	CAP,FXD,.1UF,+10%,-10%,50V-DC,0603,X7R,-55DEG CMIN,125DEG CMAX	C769	2113945C20	CAP,FXD,.016UF,+10%,-10%,50V-DC,0603,X7R,-55DEG CMIN,125DEG CMA	C831	2113944A40	CAP CER CHP 100.0PF 50V 5%
C701	2113944A44	CAP CER CHP 220.0 PF 50V 5%	C739	2113944A17	CAP CER CHP 4.7PF 50V +/- 0.25PF	C770	2113944G97	CAP,FXD,.082UF,+5%,-5%,50V-DC,1206,C0G,-55DEG CMIN,125DEG CMAX	C836	2113944A33	CAP CER CHP 47.0PF 50V 5%
C702	2113944A44	CAP CER CHP 220.0 PF 50V 5%	C742	2113945C31	CAP,FXD,.1UF,+10%,-10%,50V-DC,0603,X7R,-55DEG CMIN,125DEG CMAX	C771	2113944A40	CAP CER CHP 100.0PF 50V 5%	C838	2113945A09	CAP CER CHP 1000PF 50V 10%
C704	2113944A35	CAP CER CHP 62.0PF 50V 5%	C744	2113955D37	CAP,FXD,10UF,+10%,-10%,16V-DC,1206,X7R,-55DEG CMIN,125DEG CMAX	C775	2113945A09	CAP CER CHP 1000PF 50V 10%	C844	2113944A33	CAP CER CHP 47.0PF 50V 5%
C705	2113944A44	CAP CER CHP 220.0 PF 50V 5%	C747	2113944A44	CAP CER CHP 220.0 PF 50V 5%	C777	2113944A31	CAP CER CHP 33.0PF 50V 5%	C851	2113944A44	CAP CER CHP 220.0 PF 50V 5%
C709	2113944A44	CAP CER CHP 220.0 PF 50V 5%	C748	2113944A44	CAP CER CHP 220.0 PF 50V 5%	C779	2113944A40	CAP CER CHP 100.0PF 50V 5%	C901	2113944M40	CAP,FXD,82PF,+2%,-2%,50V-DC,0603,C0G,-55DEG CMIN,125DEG CMAX,PB
C710	2113944A49	CAP CER CHP 560.0 PF 50V 5%	C749	2113945C31	CAP,FXD,.1UF,+10%,-10%,50V-DC,0603,X7R,-55DEG CMIN,125DEG CMAX	C783	2113944C53	CAP CER CHP 1500.OPF 50V 5	C902	2113944C04	CAP CER CHP 330.0PF 50V 5%
C711	2113944A34	CAP CER CHP 56.0PF 50V 5%	C750	2113945C31	CAP,FXD,.1UF,+10%,-10%,50V-DC,0603,X7R,-55DEG CMIN,125DEG CMAX	C789	2113946B04	CAP CER CHP 0.10UF 10V 10%	C903	2113945L49	CAP,FXD,.01UF,+5%,-5%,50V-DC,0603,X7R,-55DEG CMIN,125DEG CMAX,P
C712	NOT PLACED	-	C752	2113944A43	CAP CER CHP 180.0PF 50V 5%	C790	2113946B04	CAP CER CHP 0.10UF 10V 10%	C904	2113944M36	CAP,FXD,56PF,+2%,-2%,50V-DC,0603,C0G,-55DEG CMIN,125DEG CMAX,PB
C715	2113945C31	CAP,FXD,.1UF,+10%,-10%,50V-DC,0603,X7R,-55DEG CMIN,125DEG CMAX	C754	NOT PLACED	-	C791	2113946B04	CAP CER CHP 0.10UF 10V 10%	C905	2113945L49	CAP,FXD,.01UF,+5%,-5%,50V-DC,0603,X7R,-55DEG CMIN,125DEG CMAX,P
C716	2113945C31	CAP,FXD,.1UF,+10%,-10%,50V-DC,0603,X7R,-55DEG CMIN,125DEG CMAX	C756	2113955D37	CAP,FXD,10UF,+10%,-10%,16V-DC,1206,X7R,-55DEG CMIN,125DEG CMAX	C792	2113946B04	CAP CER CHP 0.10UF 10V 10%	C906	2113944C04	CAP CER CHP 330.0PF 50V 5%
C717	2113945C31	CAP,FXD,.1UF,+10%,-10%,50V-DC,0603,X7R,-55DEG CMIN,125DEG CMAX	C757	2113945C31	CAP,FXD,.1UF,+10%,-10%,50V-DC,0603,X7R,-55DEG CMIN,125DEG CMAX	C793	2113944A40	CAP CER CHP 100.0PF 50V 5%	C907	2113944C04	CAP CER CHP 330.0PF 50V 5%
C718	2113945C31	CAP,FXD,.1UF,+10%,-10%,50V-DC,0603,X7R,-55DEG CMIN,125DEG CMAX	C758	2113946B02	CAP CER CHP 0.047UF 10V 10,	C794	NOT PLACED	-	C908	2113944C04	CAP CER CHP 330.0PF 50V 5%
C719	2113945C31	CAP,FXD,.1UF,+10%,-10%,50V-DC,0603,X7R,-55DEG CMIN,125DEG CMAX	C759	2113945G95	CAP,FXD,.22UF,+10%,-10%, 50V-DC,0805,X7R,-55DEG CMIN,125DEG CMAX	C795	2113944A40	CAP CER CHP 100.0PF 50V 5%	C909	2113944C04	CAP CER CHP 330.0PF 50V 5%
C724	2113955D37	CAP,FXD,10UF,+10%,-10%,16V-DC,1206,X7R,-55DEG CMIN,125DEG CMAX	C760	2113944G97	CAP,FXD,.082UF,+5%,-5%,50V-DC,1206,C0G,-55DEG CMIN,125DEG CMAX	C796	2113944A40	CAP CER CHP 100.0PF 50V 5%	C910	2113944C23	CAP CER CHP 5.1PF 50V +/- 0.5PF
C725	2113945C31	CAP,FXD,.1UF,+10%,-10%,50V-DC,0603,X7R,-55DEG CMIN,125DEG CMAX	C762	2113945C26	CAP,FXD,.039UF,+10%,-10%,50V-DC,0603,X7R,-55DEG CMIN,125DEG CMA	C797	2113944A40	CAP CER CHP 100.0PF 50V 5%	C911	2113945L49	CAP,FXD,.01UF,+5%,-5%,50V-DC,0603,X7R,-55DEG CMIN,125DEG CMAX,P
C726	2113945C31	CAP,FXD,.1UF,+10%,-10%,50V-DC,0603,X7R,-55DEG CMIN,125DEG CMAX	C763	2113944G97	CAP,FXD,.082UF,+5%,-5%,50V-DC,1206,C0G,-55DEG CMIN,125DEG CMAX	C798	2113945A09	CAP CER CHP 1000PF 50V 10%	C912	NOT PLACED	-
C730	2113945C31	CAP,FXD,.1UF,+10%,-10%,50V-DC,0603,X7R,-55DEG CMIN,125DEG CMAX	C765	2113944G97	CAP,FXD,.082UF,+5%,-5%,50V-DC,1206,C0G,-55DEG CMIN,125DEG CMAX	C799	2113944A40	CAP CER CHP 100.0PF 50V 5%	C913	2113944M29	CAP,FXD,30PF,+2%,-2%,50V-DC,0603,C0G,-55DEG CMIN,125DEG CMAX,PB
C731	2113945C31	CAP,FXD,.1UF,+10%,-10%,50V-DC,0603,X7R,-55DEG CMIN,125DEG CMAX	C766	2113945C01	CAP CER CHP 6800PF 50V 10%	C800	2113944A29	CAP CER CHP 22.0PF 50V 5%	C914	2113944M18	CAP,FXD,10PF,+2.5%,-2.5%, 50V-DC,0603,C0G,-55DEG CMIN,125DEG CMA
C732	2113944A32	CAP CER CHP 39.0PF 50V 5%	C768	2113944G97	CAP,FXD,.082UF,+5%,-5%,50V-DC,1206,C0G,-55DEG CMIN,125DEG CMAX	C801	2113944A21	CAP CER CHP 6.8PF 50V +/- 0.5PF	C915	2113944C04	CAP CER CHP 330.0PF 50V 5%
C734	2113945C31	CAP,FXD,.1UF,+10%,-10%,50V-DC,0603,X7R,-55DEG CMIN,125DEG CMAX				C802	2113946B06	CAP,CHIP,.22UF,+10%,-10%, 10V-DC,0402,X5R,-55DEG CMIN,85DEG CMAX	C916	2113944M40	CAP,FXD,82PF,+2%,-2%,50V-DC,0603,C0G,-55DEG CMIN,125DEG CMAX,PB
C736	2113945B02	CAP CER CHP 10,000PF 25V 10%				C803	2113944A29	CAP CER CHP 22.0PF 50V 5%	C917	NOT PLACED	-
						C804	2113944A40	CAP CER CHP 100.0PF 50V 5%	C918	2113944C04	CAP CER CHP 330.0PF 50V 5%
						C805	2113944A40	CAP CER CHP 100.0PF 50V 5%	C919	2113944M22	CAP,FXD,15PF,+2%,-2%,50V-DC,0603,C0G,-55DEG CMIN,125DEG CMAX,PB
						C806	2113946B06	CAP,CHIP,.22UF,+10%,-10%, 10V-DC,0402,X5R,-55DEG CMIN,85DEG CMAX	C920	21009257002	0805 39 PF ACCU-P CAPACITOR
						C810	2113944A44	CAP CER CHP 220.0 PF 50V 5%	C921	21009257002	0805 39 PF ACCU-P CAPACITOR
						C813	2113944A63	CAP,FXD,1PF,.25PF+/-,50V-DC,0402,C0G,-55DEG CMIN,125DEG CMAX,P			
						C814	2113945A09	CAP CER CHP 1000PF 50V 10%			
						C816	2113944A31	CAP CER CHP 33.0PF 50V 5%			
						C820	2113944A44	CAP CER CHP 220.0 PF 50V 5%			
						C830	2113944A44	CAP CER CHP 220.0 PF 50V 5%			

Ref. Des.	Part Number	Description
C922	2113944M29	CAP,FXD,30PF,+2%,-2%,50V-DC,0603,C0G,-55DEG CMIN,125DEG CMAX,PB
C923	2113944M15	CAP,FXD,7.5PF,.1PF+/-,50V-DC,0603,C0G,-55DEG CMIN,125DEG CMAX
C924	2113944M19	CAP,FXD,11PF,+2%,-2%,50V-DC,0603,C0G,-55DEG CMIN,125DEG CMAX,PB
C925	2113944C04	CAP CER CHP 330.0PF 50V 5%
C927	NOT PLACED	-
C928	2113944M23	CAP,FXD,16PF,+2%,-2%,50V-DC,0603,C0G,-55DEG CMIN,125DEG CMAX,PB
C929	2113945A12	CAP CER CHP 3300PF 50V 10%
C930	2113945A12	CAP CER CHP 3300PF 50V 10%
C1101	2113945B02	CAP CER CHP 10,000PF 25V 10%
C1102	2188468Y01	CAP CER 25V X7R 0805 1UF
C1103	2113945B02	CAP CER CHP 10,000PF 25V 10%
C1104	NOT PLACED	-
C1105	2113944A19	CAP CER CHP 5.6PF 50V +/- 0.5PF
C1106	2113945B02	CAP CER CHP 10,000PF 25V 10%
C1107	2113944A40	CAP CER CHP 100.0PF 50V 5%
C1108	2113946B02	CAP CER CHP 0.047UF 10V 10
C1109	2113944A40	CAP CER CHP 100.0PF 50V 5%
C1110	2113944A40	CAP CER CHP 100.0PF 50V 5%
C1111	2113945Y02	CAP,FXD,.1UF,+10%,-10%,16V-DC,0402,X7R,-55DEG CMIN,125DEG CMAX
C1112	2113945B01	CAP CER CHP 6800PF 25V 10%
C1113	2113945B02	CAP CER CHP 10,000PF 25V 10%
C1116	2113945Y02	CAP,FXD,.1UF,+10%,-10%,16V-DC,0402,X7R,-55DEG CMIN,125DEG CMAX
C1117	2113945A12	CAP CER CHP 3300PF 50V 10%
C1118	2113945B02	CAP CER CHP 10,000PF 25V 10%
C1119	2113945B02	CAP CER CHP 10,000PF 25V 10%

Ref. Des.	Part Number	Description
C1120	2113945B02	CAP CER CHP 10,000PF 25V 10%
C1122	2175390H01	CAP, 2.2 PF, 0402, CERAMIC, 50V
C1123	2113945B02	CAP CER CHP 10,000PF 25V 10%
C1124	2113945A13	CAP CER CHP 4700PF 50V 10%
C1125	NOT PLACED	-
C1126	2113945A09	CAP CER CHP 1000PF 50V 10%
C1127	2113945Y02	CAP,FXD,.1UF,+10%,-10%,16V-DC,0402,X7R,-55DEG CMIN,125DEG CMAX
C1128	2113945B02	CAP CER CHP 10,000PF 25V 10%
C1129	2113945B02	CAP CER CHP 10,000PF 25V 10%
C1130	2113945B02	CAP CER CHP 10,000PF 25V 10%
C1132	NOT PLACED	-
C1134	2113945B01	CAP CER CHP 6800PF 25V 10%
C1135	NOT PLACED	-
C1137	2113945B04	CAP,FXD,.022UF,+10%,-10%,25V-DC,0402,X7R,-55DEG CMIN,125DEG CMA
C1138	2113945B04	CAP,FXD,.022UF,+10%,-10%,25V-DC,0402,X7R,-55DEG CMIN,125DEG CMA
C1139	2113944A25	CAP CER CHP 10.0PF 50V +/- 0.5PF
C1140	2113945A13	CAP CER CHP 4700PF 50V 10%
C1141	2113945Y02	CAP,FXD,.1UF,+10%,-10%,16V-DC,0402,X7R,-55DEG CMIN,125DEG CMAX
C1142	2113945A09	CAP CER CHP 1000PF 50V 10%
C1149	2113944A40	CAP CER CHP 100.0PF 50V 5%
C1150	2175392H01	CAP, 1.2PF, 0402, CERAMIC, 50V
C1152	2113945A11	CAP CER CHP 2200PF 50V 10%
C1203	2113944M19	CAP,FXD,11PF,+2%,-2%,50V-DC,0603,C0G,-55DEG CMIN,125DEG CMAX,PB
C1204	2113944M13	CAP,FXD,6.2PF,.1PF+/-,50V-DC,0603,C0G,-55DEG CMIN,125DEG CMAX

Ref. Des.	Part Number	Description
C1207	2113944M27	CAP,FXD,24PF,+2%,-2%,50V-DC,0603,C0G,-55DEG CMIN,125DEG CMAX,PB
C1220	2113944M16	CAP,FXD,8.2PF,.1PF+/-,50V-DC,0603,C0G,-55DEG CMIN,125DEG CMAX
C1221	2113944M27	CAP,FXD,24PF,+2%,-2%,50V-DC,0603,C0G,-55DEG CMIN,125DEG CMAX,PB
C1222	2113944C04	CAP CER CHP 330.0PF 50V 5%
C1226	2113944M11	CAP,FXD,5.1PF,.1PF+/-,50V-DC,0603,C0G,-55DEG CMIN,125DEG CMAX
C1227	2113944M17	CAP,FXD,9.1PF,.1PF+/-,50V-DC,0603,C0G,-55DEG CMIN,125DEG CMAX
C1301	2113944M20	CAP,FXD,12PF,+2%,-2%,50V-DC,0603,C0G,-55DEG CMIN,125DEG CMAX,PB
C1302	2114036F74	CAP,FXD,1.8PF,.05PF+/-,25V-DC,0402,C0G,-55DEG CMIN,125DEG CMAX
C1303	2113944A26	CAP CER CHP 12.0PF 50V 5%
C1304	2113945A09	CAP CER CHP 1000PF 50V 10%
C1305	2113944A30	CAP CER CHP 27.0PF 50V 5%
C1306	2113945B02	CAP CER CHP 10,000PF 25V 10%
C1307	2113944A26	CAP CER CHP 12.0PF 50V 5%
C1308	2113944A28	CAP CER CHP 18.0PF 50V 5%
C1309	2175389H01	CAP,.5PF,CHIP,0402,CERAMIC,50V
C1310	2113944A17	CAP CER CHP 4.7PF 50V +/- 0.25PF
C1500	2113944C45	CAP CER CHP 100.0PF 50V 5%
C1501	2113945C02	CAP CER CHP 10,000PF 50V 10%
C1502	2113944C45	CAP CER CHP 100.0PF 50V 5%
C1503	2113944C45	CAP CER CHP 100.0PF 50V 5%
C1504	2113945C02	CAP CER CHP 10,000PF 50V 10%
C1505	2113944C45	CAP CER CHP 100.0PF 50V 5%
C1506	2113944A40	CAP CER CHP 100.0PF 50V 5%
C1507	2113944A40	CAP CER CHP 100.0PF 50V 5%
C1508	2113944C12	CAP CER CHP 1.8PF 50V +/- 0.25PF

Ref. Des.	Part Number	Description
C1509	2113944C45	CAP CER CHP 100.0PF 50V 5%
C1510	2113944M26	CAP,FXD,22PF,+2%,-2%,50V-DC,0603,C0G,-55DEG CMIN,125DEG CMAX,PB
C1511	2113944M30	CAP,FXD,33PF,+2%,-2%,50V-DC,0603,C0G,-55DEG CMIN,125DEG CMAX,PB
C1512	NOT PLACED	-
C1513	2113944C45	CAP CER CHP 100.0PF 50V 5%
C1514	2113945C02	CAP CER CHP 10,000PF 50V 10%
C1515	NOT PLACED	-
C1516	21007088001	0805 CAPACITOR
C1517	2171741M08	HIGH Q CAP, 22 PF
C1518	21007088007	0805 CAPACITOR
C1519	NOT PLACED	-
C1520	21007088005	0805 CAPACITOR
C1521	2113944C45	CAP CER CHP 100.0PF 50V 5%
C1522	2113944A40	CAP CER CHP 100.0PF 50V 5%
C1523	NOT PLACED	-
C1525	NOT PLACED	-
C1526	2113945Y02	CAP,FXD,.1UF,+10%,-10%,16V-DC,0402,X7R,-55DEG CMIN,125DEG CMAX
C1527	21007088006	0805 CAPACITOR
C1598	2113945A12	CAP CER CHP 3300PF 50V 10%
C1599	2113945A12	CAP CER CHP 3300PF 50V 10%
C1700	2113944M06	CAP,FXD,3.3PF,.1PF+/-,50V-DC,0603,C0G,-55DEG CMIN,125DEG CMAX
C1701	2113944M14	CAP,FXD,6.8PF,.1PF+/-,50V-DC,0603,C0G,-55DEG CMIN,125DEG CMAX
C1702	2113944M15	CAP,FXD,7.5PF,.1PF+/-,50V-DC,0603,C0G,-55DEG CMIN,125DEG CMAX
C1703	2113944M06	CAP,FXD,3.3PF,.1PF+/-,50V-DC,0603,C0G,-55DEG CMIN,125DEG CMAX
C1704	2113944M02	CAP,FXD,2.2PF,.1PF+/-,50V-DC,0603,C0G,-55DEG CMIN,125DEG CMAX
C1705	2113944C67	CAP,FXD,1.5PF,.1PF+/-,50V-DC,0603,C0G,-55DEG CMIN,125DEG CMAX

Ref. Des.	Part Number	Description	Ref. Des.	Part Number	Description	Ref. Des.	Part Number	Description	Ref. Des.	Part Number	Description
L1209	2460591D81	COIL AIR WOUND INDUC 43.41	L1915	2478057A35	0306 HIGH Q CHIP INDUCTOR	Q703	4813973M75	XSTR,BIP GP SS,PNP,BC858, SOT-563,SMT,-30V,.357W, -100MA,100MHZ	R306	0613952Q25	CER CHIP RES 10.0 OHM 5 0402
L1211	2460591D81	COIL AIR WOUND INDUC 43.41	L1916	2414017P14	IDCTR,CHIP,12NH,5%,300MA, .6OHM,CER,9 Q,2GHZ SRF, SM, 0402,PB-F	Q712	4813973M75	XSTR,BIP GP SS,PNP,BC858, SOT-563,SMT,-30V,.357W, -100MA,100MHZ	R308	0613952Q25	CER CHIP RES 10.0 OHM 5 0402
L1301	2488090Y07	INDUCTOR,MULTILAYER,3.3NH, 1005,SMD,PB FREE	L1917	2478057A36	0306 HIGH Q CHIP INDUCTOR	Q713	4805585Q32	TRANSITOR, NPN RF	R309	0613952Q25	CER CHIP RES 10.0 OHM 5 0402
L1302	2488090Y25	INDUCTOR,MULTILAYER,100NH, 1005,SMD,PB FREE	L1919	2414017P14	IDCTR,CHIP,12NH,5%,300MA, .6OHM,CER,9 Q,2GHZ SRF,SM, 0402,PB-F	Q714	4889394V04	XSTR,FET GEN PURPOSE SMALL SIG,MOSFET,N-CH, ENHN,SM,20V,.25W,P	R501	NOT PLACED	-
L1303	2414017P25	IDCTR,CHIP,100NH,5%,100MA, 5.5OHM,CER,8 Q,650MHZ SRF, SM,0402	L1934	2478057A38	0306 HIGH Q CHIP INDUCTOR	Q774	4885061Y01	XSTR NPN 6V 30UA 12GHZ PB-FREE	R502	0613952Q45	CER CHIP RES 68.0 OHM 5 0402
L1305	2475391H01	INDUCTOR, 18 NH, CHIP, 0402, 2% TOL	L1935	2478057A26	24 NH SURFACE MOUNT INDUCTOR	Q842	4805585Q32	TRANSITOR, NPN RF	R503	0613952R10	CER CHIP RES 24K OHM 5 0402
L1306	2488090Y10	INDUCTOR,MULTILAYER,5.6NH, 1005,SMD,PB FREE	L1936	2415429H01	CHIP INDUCTOR	Q901	5185633C81	MODULE,RING,XSTR,FET RF POWER, VHF	R504	0613952Q85	CER CHIP RES 3300 OHM 5 0402
L1500	2414015A07	IDCTR,FXD,180NH,2%,750MA, .77OHM,CER,25 Q,700MHZ SRF, SM,1008	L1938	NOT PLACED	-	Q1101	4813973A32	XSTR,BIP GP SS,NPN,SM, SC-70,SMT,50V,.202W, 00MA, PB-FREE	R505	0613952R31	CER CHIP RES 180K OHM 5% 0402
L1501	2415429H03	CHIP INDUCTOR	M1	3275623B02	PAD, THERMAL ELECTRIC	Q1102	4813973A32	XSTR,BIP GP SS,NPN,SM, SC-70,SMT,50V,.202W,100MA, PB-FREE	R506	0613952Q53	CER CHIP RES 150 OHM 5 0402
L1502	2415429H03	CHIP INDUCTOR	M2	75009299001	PAD, THERMAL	Q1103	4813970A59	P-CH FET 1.0A 20V SOT-23 T&R	R507	0613952Q83	CER CHIP RES 2700 OHM 5 0402
L1503	2415429H18	CHIP INDUCTOR	M3	1104959T01	COATING-CONTACT	Q1104	4813970A59	P-CH FET 1.0A 20V SOT-23 T&R	R508	0613952Q41	CER CHIP RES 47.0 OHM 5 0402
L1504	2415429H02	CHIP INDUCTOR	M101	2871616H01	CONNECTOR, BPLUS	Q1105	NOT PLACED	-	R509	0613952Q25	CER CHIP RES 10.0 OHM 5 0402
L1505	2460591E24	COIL AIR WOUND INDUC 23.75	M103	3987977Y04	CONT,CONN,1CONT,ANT UNIV 4.5MM,UC 1.8	Q1500	5185633C92	MODULE,RING,XSTR, FET RF POWER, UHF	R511	0613952Q13	CER CHIP RES 3.3 OHM 5 0402
L1507	2415385H01	8 NH MINISPRING AIR CORE INDUCTOR	M104	NOT PLACED	-	Q1920	4813973A32	XSTR,BIP GP SS,NPN,SM, SC-70,SMT,50V,.202W,100MA, PB-FREE	R512	NOT PLACED	-
L1510	2415429H37	CHIP INDUCTOR	M105	3987977Y04	CONT,CONN,1CONT,ANT UNIV 4.5MM,UC 1.8	Q1922	4813973M75	XSTR,BIP GP SS,PNP,BC858, SOT-563,SMT,-30V,.357W, -100MA,100MHZ	R597	0613952R66	CER CHIP RES 0.0 +/-0.050 OHM
L1700	2471902Y05	IDCTR,AW,12.1NH,5%,4.4A, .007OHM,4.3GHZ SRF,SM, PB-FREE	M106	NOT PLACED	-	R101	0613952R01	CER CHIP RES 10K OHM 5% 0402	R601	0613952Q41	CER CHIP RES 47.0 OHM 5 0402
L1701	2471902Y05	IDCTR,AW,12.1NH,5%,4.4A, .007OHM,4.3GHZ SRF,SM, PB-FREE	P101	2887818K05	PLUG 40PIN MATING CNTCR 1.5MM	R103	0613952R01	CER CHIP RES 10K OHM 5% 0402	R602	0613952Q63	CER CHIP RES 390 OHM 5 0402
L1702	2471902Y05	IDCTR,AW,12.1NH,5%,4.4A, .007OHM,4.3GHZ SRF,SM, PB-FREE	PASTE	1085674C03	PASTE/NC-SMQ230	R201	0613952R25	CER CHIP RES 100K OHM 5% 0402	R603	0613952R25	CER CHIP RES 100K OHM 5% 0402
L1908	2478057A06	4.3 NH SURFACE MOUNT INDUCTOR	PCB	84012125001	BOARD, PC, PORTABLE VHF & UHF2	R202	0613952Q89	CER CHIP RES 4700 OHM 5 0402	R604	0613952Q63	CER CHIP RES 390 OHM 5 0402
L1909	2478057A23	18 NH SURFACE MOUNT INDUCTOR	Q201	4813970A59	P-CH FET 1.0A 20V SOT-23 T&R	R301	0613952R22	CER CHIP RES 75K OHM 5 0402	R605	0613952R01	CER CHIP RES 10K OHM 5% 0402
L1910	2478057A23	18 NH SURFACE MOUNT INDUCTOR	Q202	4813973A32	XSTR,BIP GP SS,NPN,SM, SC-70,SMT,50V,.202W,100MA, PB-FREE	R302	0613952R27	CER CHIP RES 120K OHM 5% 0402	R606	0613952R01	CER CHIP RES 10K OHM 5% 0402
L1912	2478057A05	3.9 NH SURFACE MOUNT INDUCTOR	Q301	4813973A32	XSTR,BIP GP SS,NPN,SM, SC-70,SMT,50V,.202W,100MA, PB-FREE	R303	0613952R01	CER CHIP RES 10K OHM 5% 0402	R607	0613952R25	CER CHIP RES 100K OHM 5% 0402
L1913	2478057A23	18 NH SURFACE MOUNT INDUCTOR	Q302	4813973M75	XSTR,BIP GP SS,PNP,BC858, SOT-563,SMT,-30V,.357W, -100MA,100MHZ	R304	0613952Q37	CER CHIP RES 33.0 OHM 5 0402	R608	0613952R01	CER CHIP RES 10K OHM 5% 0402
L1914	2478057A23	18 NH SURFACE MOUNT INDUCTOR	Q501	4813973M75	XSTR,BIP GP SS,PNP,BC858, OT-563,SMT,-30V,.357W, -100MA,100MHZ	R305	0613952Q89	CER CHIP RES 4700 OHM 5 0402	R609	0613952Q81	CER CHIP RES 2200 OHM 5 0402
			Q503	4885316E32	TRANSISTOR, RF				R610	0613952R25	CER CHIP RES 100K OHM 5% 0402
			Q601	4813973A04	XSTR,BIP GP SS,NPN,TA13, SM, SOT-23,SMT,30V,.225W, 300MA, 125MHZ,P				R611	0613952R01	CER CHIP RES 10K OHM 5% 0402

Ref. Des.	Part Number	Description
VR1906	4815096H01	VARACTOR DIODE 1SV305
VR1907	4815096H01	VARACTOR DIODE 1SV305
VR1908	4815096H01	VARACTOR DIODE 1SV305
VR1910	4815096H01	VARACTOR DIODE 1SV305
VR1920	4815096H01	VARACTOR DIODE 1SV305
Y701	4871886H01	16.8 MHZ VCTXO .8PPM
Y704	5164852H68	IC, VCO MODULE
Y705	5164852H66	IC, VCO MODULE
Y706	NOT PLACED	-
Y707	5164852H67	IC, VCO MODULE

MNUT4004C UHF2/VHF Transceiver (RF) Board Parts List

Ref. Des.	Part Number	Description
C101	2113944A46	CAP,CHIP,330PF,+5%,-5%,50V-DC,0402,C0G,-55DEG CMIN,125DEG CMAX
C200	2113945B02	CAP,CHIP,.01UF,+10%,-10%,25V-DC,0402,X7R,-55DEG CMIN,125DEG CMA
C201	2188468Y01	CAP,CHIP,1UF,+10,-10,25V-DC,0805,X7R
C202	2188468Y01	CAP,CHIP,1UF,+10,-10,25V-DC,0805,X7R
C203	2188468Y01	CAP,CHIP,1UF,+10,-10,25V-DC,0805,X7R
C204	2113955D35	CAP,FXD,4.7UF,+10%,-10%,16V-DC,1206,X7R,-55DEG CMIN,125DEG CMAX
C205	2113955D35	CAP,FXD,4.7UF,+10%,-10%,16V-DC,1206,X7R,-55DEG CMIN,125DEG CMAX
C206	2113945B02	CAP,CHIP,.01UF,+10%,-10%,25V-DC,0402,X7R,-55DEG CMIN,125DEG CMA
C207	2113956B91	CAP,FXD,1UF,+10%,-10%,16V-DC,0603,X5R,-55DEG CMIN,85DEG CMAX,PB
C208	2113956B91	CAP,FXD,1UF,+10%,-10%,16V-DC,0603,X5R,-55DEG CMIN,85DEG CMAX,PB
C209	2113956B91	CAP,FXD,1UF,+10%,-10%,16V-DC,0603,X5R,-55DEG CMIN,85DEG CMAX,PB
C210	2113956B91	CAP,FXD,1UF,+10%,-10%,16V-DC,0603,X5R,-55DEG CMIN,85DEG CMAX,PB
C212	2113946D07	CAP,CHIP,4.7UF,+10%,-10%,6.3V-DC,0603,X5R,-55DEG CMIN,85DEG CMA
C213	2113944A46	CAP,CHIP,330PF,+5%,-5%,50V-DC,0402,C0G,-55DEG CMIN,125DEG CMAX
C214	2113944A31	CAP,CHIP,33PF,+5%,-5%,50V-DC,0402,C0G,-55DEG CMIN,125DEG CMAX,P
C215	2113944A46	CAP,CHIP,330PF,+5%,-5%,50V-DC,0402,C0G,-55DEG CMIN,125DEG CMAX

Ref. Des.	Part Number	Description
C216	2113944A31	CAP,CHIP,33PF,+5%,-5%,50V-DC,0402,C0G,-55DEG CMIN,125DEG CMAX,P
C217	2113956B91	CAP,FXD,1UF,+10%,-10%,16V-DC,0603,X5R,-55DEG CMIN,85DEG CMAX,PB
C301	2113944A30	CAP,CHIP,27PF,+5%,-5%,50V-DC,0402,C0G,-55DEG CMIN,125DEG CMAX,P
C302	2113944A28	CAP,CHIP,18PF,+5%,-5%,50V-DC,0402,C0G,-55DEG CMIN,125DEG CMAX,P
C303	2113944A28	CAP,CHIP,18PF,+5%,-5%,50V-DC,0402,C0G,-55DEG CMIN,125DEG CMAX,P
C304	2113944A81	CAP,FXD,24PF,+5%,-5%,50V-DC,0402,C0G,-55DEG CMIN,125DEG CMAX,PB
C305	2113944A17	CAP,CHIP,4.7PF,.25PF+/-,50V-DC,0402,C0G,-55DEG CMIN,125DEG CMA
C306	2113944A35	CAP,CHIP,62PF,+5%,-5%,50V-DC,0402,C0G,-55DEG CMIN,125DEG CMAX,P
C307	2113944A18	CAP,CHIP,5.1PF,.5PF+/-,50V-DC,0402,C0G,-55DEG CMIN,125DEG CMAX
C308	2113944A30	CAP,CHIP,27PF,+5%,-5%,50V-DC,0402,C0G,-55DEG CMIN,125DEG CMAX,P
C310	2113946D07	CAP,CHIP,4.7UF,+10%,-10%,6.3V-DC,0603,X5R,-55DEG CMIN,85DEG CMA
C311	2113944A29	CAP,CHIP,22PF,+5%,-5%,50V-DC,0402,C0G,-55DEG CMIN,125DEG CMAX,P
C312	2113944A46	CAP,CHIP,330PF,+5%,-5%,50V-DC,0402,C0G,-55DEG CMIN,125DEG CMAX
C313	2113944A46	CAP,CHIP,330PF,+5%,-5%,50V-DC,0402,C0G,-55DEG CMIN,125DEG CMAX
C314	2113946D07	CAP,CHIP,4.7UF,+10%,-10%,6.3V-DC,0603,X5R,-55DEG CMIN,85DEG CMA
C315	2113944A46	CAP,CHIP,330PF,+5%,-5%,50V-DC,0402,C0G,-55DEG CMIN,125DEG CMAX

Ref. Des.	Part Number	Description
C317	2175389H01	CAP,.5PF,CAP,.5PF,CHIP,0402,CERAMIC,50V
C318	2113944A30	CAP,CHIP,27PF,+5%,-5%,50V-DC,0402,C0G,-55DEG CMIN,125DEG CMAX,P
C319	2113944A28	CAP,CHIP,18PF,+5%,-5%,50V-DC,0402,C0G,-55DEG CMIN,125DEG CMAX,P
C320	2113944A27	CAP,CHIP,15PF,+5%,-5%,50V-DC,0402,C0G,-55DEG CMIN,125DEG CMAX,P
C321	2113944A28	CAP,CHIP,18PF,+5%,-5%,50V-DC,0402,C0G,-55DEG CMIN,125DEG CMAX,P
C322	2113944A30	CAP,CHIP,27PF,+5%,-5%,50V-DC,0402,C0G,-55DEG CMIN,125DEG CMAX,P
C323	2113944A30	CAP,CHIP,27PF,+5%,-5%,50V-DC,0402,C0G,-55DEG CMIN,125DEG CMAX,P
C324	2113944A19	CAP,CHIP,5.6PF,.5PF+/-,50V-DC,0402,C0G,-55DEG CMIN,125DEG CMAX
C325	2113944A84	CAP,FXD,43PF,+5%,-5%,50V-DC,0402,C0G,-55DEG CMIN,125DEG CMAX,PB
C326	2113944A21	CAP,CHIP,6.8PF,.5PF+/-,50V-DC,0402,C0G,-55DEG CMIN,125DEG CMAX
C327	2113944A28	CAP,CHIP,18PF,+5%,-5%,50V-DC,0402,C0G,-55DEG CMIN,125DEG CMAX,P
C328	2175389H01	CAP,.5PF,CAP,.5PF,CHIP,0402,CERAMIC,50V
C329	2115153H35	CAP,FXD,12PF,+1%,-1%,50V-DC,0402,C0G
C501	NOT PLACED	-
C502	2113945A09	CAP,CHIP,1000PF,+10%,-10%,50V-DC,0402,X7R,-55DEG CMIN,125DEG CM
C503	2115153H40	CAP,FXD,20PF,50V-DC,0402,C0G
C504	2113944A40	CAP,CHIP,100PF,+5%,-5%,50V-DC,0402,C0G,-55DEG CMIN,125DEG CMAX
C505	2113946B04	CAP,CHIP,.1UF,+10%,-10%,10V-DC,0402,X5R,-55DEG CMIN,85DEG CMAX

Ref. Des.	Part Number	Description	Ref. Des.	Part Number	Description	Ref. Des.	Part Number	Description	Ref. Des.	Part Number	Description
C506	2113946B04	CAP,CHIP,1UF,+10%,-10%,10V-DC,0402,X5R,-55DEG CMIN,85DEG CMAX	C523	2113944A48	CAP,CHIP,470PF,+5%,-5%,50V-DC,0402,C0G,-55DEG CMIN,125DEG CMAX	C611	2113944A40	CAP,CHIP,100PF,+5%,-5%,50V-DC,0402,C0G,-55DEG CMIN,125DEG CMAX	C627	2113945A09	CAP,CHIP,1000PF,+10%,-10%,50V-DC,0402,X7R,-55DEG CMIN,125DEG CM
C508	2113945A09	CAP,CHIP,1000PF,+10%,-10%,50V-DC,0402,X7R,-55DEG CMIN,125DEG CM	C524	2113944A30	CAP,CHIP,27PF,+5%,-5%,50V-DC,0402,C0G,-55DEG CMIN,125DEG CMAX,P	C612	2113945B02	CAP,CHIP,.01UF,+10%,-10%,25V-DC,0402,X7R,-55DEG CMIN,125DEG CMA	C628	2113945B02	CAP,CHIP,.01UF,+10%,-10%,25V-DC,0402,X7R,-55DEG CMIN,125DEG CMA
C509	2113945A09	CAP,CHIP,1000PF,+10%,-10%,50V-DC,0402,X7R,-55DEG CMIN,125DEG CM	C525	2115153H03	CAP,CER CHIP,1PF,1PF+/-,50V-DC,0402,C0G	C613	2113944A40	CAP,CHIP,100PF,+5%,-5%,50V-DC,0402,C0G,-55DEG CMIN,125DEG CMAX	C629	2113946B04	CAP,CHIP,.1UF,+10%,-10%,10V-DC,0402,X5R,-55DEG CMIN,85DEG CMAX
C510	2113944A52	CAP,CHIP,1000PF,+5%,-5%,50V-DC,0402,C0G,-55DEG CMIN,125DEG CMAX	C526	2115153H34	CAP,FXD,11PF,50V-DC,0402,C0G	C614	2113945B02	CAP,CHIP,.01UF,+10%,-10%,25V-DC,0402,X7R,-55DEG CMIN,125DEG CMA	C630	2113946B04	CAP,CHIP,.1UF,+10%,-10%,10V-DC,0402,X5R,-55DEG CMIN,85DEG CMAX
C511	2113944A40	CAP,CHIP,100PF,+5%,-5%,50V-DC,0402,C0G,-55DEG CMIN,125DEG CMAX	C527	2115153H10	CAP,FXD,2PF,.1PF+/-,50V-DC,0402,C0G	C615	2113944A42	CAP,CHIP,150PF,+5%,-5%,50V-DC,0402,C0G,-55DEG CMIN,125DEG CMAX	C631	2113944A27	CAP,CHIP,15PF,+5%,-5%,50V-DC,0402,C0G,-55DEG CMIN,125DEG CMAX,P
C512	2113944A31	CAP,CHIP,33PF,+5%,-5%,50V-DC,0402,C0G,-55DEG CMIN,125DEG CMAX,P	C528	2113944A40	CAP,CHIP,100PF,+5%,-5%,50V-DC,0402,C0G,-55DEG CMIN,125DEG CMAX	C616	2113945A11	CAP,CHIP,2200PF,+10%,-10%,50V-DC,0402,X7R,-55DEG CMIN,125DEG CM	C632	2113944A40	CAP,CHIP,100PF,+5%,-5%,50V-DC,0402,C0G,-55DEG CMIN,125DEG CMAX
C513	2113944A40	CAP,CHIP,100PF,+5%,-5%,50V-DC,0402,C0G,-55DEG CMIN,125DEG CMAX	C529	2113944A40	CAP,CHIP,100PF,+5%,-5%,50V-DC,0402,C0G,-55DEG CMIN,125DEG CMAX	C617	2113946B04	CAP,CHIP,.1UF,+10%,-10%,10V-DC,0402,X5R,-55DEG CMIN,85DEG CMAX	C633	2113945B02	CAP,CHIP,.01UF,+10%,-10%,25V-DC,0402,X7R,-55DEG CMIN,125DEG CMA
C514	2113944A84	CAP,FXD,43PF,+5%,-5%,50V-DC,0402,C0G,-55DEG CMIN,125DEG CMAX,PB	C601	2113945B02	CAP,CHIP,.01UF,+10%,-10%,25V-DC,0402,X7R,-55DEG CMIN,125DEG CMA	C618	2113944A31	CAP,CHIP,33PF,+5%,-5%,50V-DC,0402,C0G,-55DEG CMIN,125DEG CMAX,P	C634	2113946B04	CAP,CHIP,.1UF,+10%,-10%,10V-DC,0402,X5R,-55DEG CMIN,85DEG CMAX
C515	2113944A21	CAP,CHIP,6.8PF,.5PF+/-,50V-DC,0402,C0G,-55DEG CMIN,125DEG CMAX	C602	2113945B02	CAP,CHIP,.01UF,+10%,-10%,25V-DC,0402,X7R,-55DEG CMIN,125DEG CMA	C619	2113944A35	CAP,CHIP,62PF,+5%,-5%,50V-DC,0402,C0G,-55DEG CMIN,125DEG CMAX,P	C635	2113945B02	CAP,CHIP,.01UF,+10%,-10%,25V-DC,0402,X7R,-55DEG CMIN,125DEG CMA
C516	2113944A11	CAP,CHIP,2.7PF,.25PF+/-,50V-DC,0402,C0G,-55DEG CMIN,125DEG CMA	C603	2113945B02	CAP,CHIP,.01UF,+10%,-10%,25V-DC,0402,X7R,-55DEG CMIN,125DEG CMA	C620	2113946B04	CAP,CHIP,.1UF,+10%,-10%,10V-DC,0402,X5R,-55DEG CMIN,85DEG CMAX	C636	2113946B04	CAP,CHIP,.1UF,+10%,-10%,10V-DC,0402,X5R,-55DEG CMIN,85DEG CMAX
C517	2113946B04	CAP,CHIP,.1UF,+10%,-10%,10V-DC,0402,X5R,-55DEG CMIN,85DEG CMAX	C604	2113945B02	CAP,CHIP,.01UF,+10%,-10%,25V-DC,0402,X7R,-55DEG CMIN,125DEG CMA	C621	2113946B04	CAP,CHIP,.1UF,+10%,-10%,10V-DC,0402,X5R,-55DEG CMIN,85DEG CMAX	C637	2113946B04	CAP,CHIP,.1UF,+10%,-10%,10V-DC,0402,X5R,-55DEG CMIN,85DEG CMAX
C518	2113945A09	CAP,CHIP,1000PF,+10%,-10%,50V-DC,0402,X7R,-55DEG CMIN,125DEG CM	C605	2113944A15	CAP,CHIP,3.9PF,.25PF+/-,50V-DC,0402,C0G,-55DEG CMIN,125DEG CMA	C622	2113946C07	CAP,FXD,.33UF,+10%,-10%,10V-DC,0603,X5R,-55DEG CMIN,85DEG CMAX	C638	2113945A12	CAP,CHIP,3300PF,+10%,-10%,50V-DC,0402,X7R,-55DEG CMIN,125DEG CM
C519	2113944A28	CAP,CHIP,18PF,+5%,-5%,50V-DC,0402,C0G,-55DEG CMIN,125DEG CMAX,P	C606	2113946B04	CAP,CHIP,.1UF,+10%,-10%,10V-DC,0402,X5R,-55DEG CMIN,85DEG CMAX	C623	2113945B02	CAP,CHIP,.01UF,+10%,-10%,25V-DC,0402,X7R,-55DEG CMIN,125DEG CMA	C639	2113945B02	CAP,CHIP,.01UF,+10%,-10%,25V-DC,0402,X7R,-55DEG CMIN,125DEG CMA
C520	2113945A09	CAP,CHIP,1000PF,+10%,-10%,50V-DC,0402,X7R,-55DEG CMIN,125DEG CM	C607	2113944A40	CAP,CHIP,100PF,+5%,-5%,50V-DC,0402,C0G,-55DEG CMIN,125DEG CMAX	C624	2113946C07	CAP,FXD,.33UF,+10%,-10%,10V-DC,0603,X5R,-55DEG CMIN,85DEG CMAX	C640	2113946B04	CAP,CHIP,.1UF,+10%,-10%,10V-DC,0402,X5R,-55DEG CMIN,85DEG CMAX
C521	2113945A09	CAP,CHIP,1000PF,+10%,-10%,50V-DC,0402,X7R,-55DEG CMIN,125DEG CM	C608	2113944A12	CAP,CHIP,3PF,.25PF+/-,50V-DC,0402,C0G,-55DEG CMIN,125DEG CMAX	C625	2113944A28	CAP,CHIP,18PF,+5%,-5%,50V-DC,0402,C0G,-55DEG CMIN,125DEG CMAX,P	C641	2113944A31	CAP,CHIP,33PF,+5%,-5%,50V-DC,0402,C0G,-55DEG CMIN,125DEG CMAX,P
C522	2113944A27	CAP,CHIP,15PF,+5%,-5%,50V-DC,0402,C0G,-55DEG CMIN,125DEG CMAX,P	C609	2113944A30	CAP,CHIP,27PF,+5%,-5%,50V-DC,0402,C0G,-55DEG CMIN,125DEG CMAX,P	C626	2113945A09	CAP,CHIP,1000PF,+10%,-10%,50V-DC,0402,X7R,-55DEG CMIN,125DEG CM	C642	2113944A48	CAP,CHIP,470PF,+5%,-5%,50V-DC,0402,C0G,-55DEG CMIN,125DEG CMAX

Ref. Des.	Part Number	Description	Ref. Des.	Part Number	Description	Ref. Des.	Part Number	Description	Ref. Des.	Part Number	Description
C643	2113944A48	CAP,CHIP,470PF,+5%,-5%,50V-DC,0402,C0G,-55DEG CMIN,125DEG CMAX	C730	2113945C31	CAP,FXD,.1UF,+10%,-10%,50V-DC,0603,X7R,-55DEG CMIN,125DEG CMAX	C758	2113946B02	CAP,CHIP,.047UF,+10%,-10%,10V-DC,0402,X5R,-55DEG CMIN,85DEG CMA	C790	2113946B04	CAP,CHIP,.1UF,+10%,-10%,10V-DC,0402,X5R,-55DEG CMIN,85DEG CMAX
C701	2113944A44	CAP,CHIP,220PF,+5%,-5%,50V-DC,0402,C0G,-55DEG CMIN,125DEG CMAX	C731	2113945C31	CAP,FXD,.1UF,+10%,-10%,50V-DC,0603,X7R,-55DEG CMIN,125DEG CMAX	C759	2113945G95	CAP,FXD,.22UF,+10%,-10%,50V-DC,0805,X7R,-55DEG CMIN,125DEG CMAX	C791	2113946B04	CAP,CHIP,.1UF,+10%,-10%,10V-DC,0402,X5R,-55DEG CMIN,85DEG CMAX
C702	2113944A44	CAP,CHIP,220PF,+5%,-5%,50V-DC,0402,C0G,-55DEG CMIN,125DEG CMAX	C732	2113944A32	CAP,CHIP,39PF,+5%,-5%,50V-DC,0402,C0G,-55DEG CMIN,125DEG CMAX,P	C760	2113944G97	CAP,FXD,.082UF,+5%,-5%,50V-DC,1206,C0G,-55DEG CMIN,125DEG CMAX	C792	2113946B04	CAP,CHIP,.1UF,+10%,-10%,10V-DC,0402,X5R,-55DEG CMIN,85DEG CMAX
C704	2113944A35	CAP,CHIP,62PF,+5%,-5%,50V-DC,0402,C0G,-55DEG CMIN,125DEG CMAX,P	C734	2113945C31	CAP,FXD,.1UF,+10%,-10%,50V-DC,0603,X7R,-55DEG CMIN,125DEG CMAX	C762	2113945C26	CAP,FXD,.039UF,+10%,-10%,50V-DC,0603,X7R,-55DEG CMIN,125DEG CMA	C793	2113944A40	CAP,CHIP,100PF,+5%,-5%,50V-DC,0402,C0G,-55DEG CMIN,125DEG CMAX
C705	2113944A44	CAP,CHIP,220PF,+5%,-5%,50V-DC,0402,C0G,-55DEG CMIN,125DEG CMAX	C736	2113945B02	CAP,CHIP,.01UF,+10%,-10%,25V-DC,0402,X7R,-55DEG CMIN,125DEG CMA	C763	2113944G97	CAP,FXD,.082UF,+5%,-5%,50V-DC,1206,C0G,-55DEG CMIN,125DEG CMAX	C794	NOT PLACED	-
C709	2113944A44	CAP,CHIP,220PF,+5%,-5%,50V-DC,0402,C0G,-55DEG CMIN,125DEG CMAX	C737	2113945C31	CAP,FXD,.1UF,+10%,-10%,50V-DC,0603,X7R,-55DEG CMIN,125DEG CMAX	C765	2113944G97	CAP,FXD,.082UF,+5%,-5%,50V-DC,1206,C0G,-55DEG CMIN,125DEG CMAX	C795	2113944A40	CAP,CHIP,100PF,+5%,-5%,50V-DC,0402,C0G,-55DEG CMIN,125DEG CMAX
C710	2113944A49	CAP,CHIP,560PF,+5%,-5%,50V-DC,0402,C0G,-55DEG CMIN,125DEG CMAX	C739	2113944A17	CAP,CHIP,4.7PF,.25PF+/-,50V-DC,0402,C0G,-55DEG CMIN,125DEG CMA	C766	2113945C01	CAP,CHIP,6800PF,+10%,-10%,50V-DC,0603,X7R,-55DEG CMIN,125DEG CM	C796	2113944A40	CAP,CHIP,100PF,+5%,-5%,50V-DC,0402,C0G,-55DEG CMIN,125DEG CMAX
C711	2113944A34	CAP,CHIP,56PF,+5%,-5%,50V-DC,0402,C0G,-55DEG CMIN,125DEG CMAX,P	C742	2113945C31	CAP,FXD,.1UF,+10%,-10%,50V-DC,0603,X7R,-55DEG CMIN,125DEG CMAX	C768	2113944G97	CAP,FXD,.082UF,+5%,-5%,50V-DC,1206,C0G,-55DEG CMIN,125DEG CMAX	C797	2113944A40	CAP,CHIP,100PF,+5%,-5%,50V-DC,0402,C0G,-55DEG CMIN,125DEG CMAX
C712	NOT PLACED	-	C744	2113955D37	CAP,FXD,10UF,+10%,-10%,16V-DC,1206,X7R,-55DEG CMIN,125DEG CMAX	C769	2113945C20	CAP,FXD,.016UF,+10%,-10%,50V-DC,0603,X7R,-55DEG CMIN,125DEG CMA	C798	2113945A09	CAP,CHIP,1000PF,+10%,-10%,50V-DC,0402,X7R,-55DEG CMIN,125DEG CM
C715	2113945C31	CAP,FXD,.1UF,+10%,-10%,50V-DC,0603,X7R,-55DEG CMIN,125DEG CMAX	C747	2113944A44	CAP,CHIP,220PF,+5%,-5%,50V-DC,0402,C0G,-55DEG CMIN,125DEG CMAX	C770	2113944G97	CAP,FXD,.082UF,+5%,-5%,50V-DC,1206,C0G,-55DEG CMIN,125DEG CMAX	C799	2113944A40	CAP,CHIP,100PF,+5%,-5%,50V-DC,0402,C0G,-55DEG CMIN,125DEG CMAX
C716	2113945C31	CAP,FXD,.1UF,+10%,-10%,50V-DC,0603,X7R,-55DEG CMIN,125DEG CMAX	C748	2113944A44	CAP,CHIP,220PF,+5%,-5%,50V-DC,0402,C0G,-55DEG CMIN,125DEG CMAX	C771	2113944A40	CAP,CHIP,100PF,+5%,-5%,50V-DC,0402,C0G,-55DEG CMIN,125DEG CMAX	C800	2113944A29	CAP,CHIP,22PF,+5%,-5%,50V-DC,0402,C0G,-55DEG CMIN,125DEG CMAX,P
C717	2113945C31	CAP,FXD,.1UF,+10%,-10%,50V-DC,0603,X7R,-55DEG CMIN,125DEG CMAX	C749	2113945C31	CAP,FXD,.1UF,+10%,-10%,50V-DC,0603,X7R,-55DEG CMIN,125DEG CMAX	C775	2113945A09	CAP,CHIP,1000PF,+10%,-10%,50V-DC,0402,X7R,-55DEG CMIN,125DEG CM	C801	2113944A21	CAP,CHIP,6.8PF,.5PF+/-,50V-DC,0402,C0G,-55DEG CMIN,125DEG CMAX
C718	2113945C31	CAP,FXD,.1UF,+10%,-10%,50V-DC,0603,X7R,-55DEG CMIN,125DEG CMAX	C750	2113945C31	CAP,FXD,.1UF,+10%,-10%,50V-DC,0603,X7R,-55DEG CMIN,125DEG CMAX	C777	2113944A31	CAP,CHIP,33PF,+5%,-5%,50V-DC,0402,C0G,-55DEG CMIN,125DEG CMAX,P	C802	2113946B06	CAP,CHIP,.22UF,+10%,-10%,10V-DC,0402,X5R,-55DEG CMIN,85DEG CMAX
C719	2113945C31	CAP,FXD,.1UF,+10%,-10%,50V-DC,0603,X7R,-55DEG CMIN,125DEG CMAX	C752	2113944A43	CAP,CHIP,180PF,+5%,-5%,50V-DC,0402,C0G,-55DEG CMIN,125DEG CMAX	C779	2113944A40	CAP,CHIP,100PF,+5%,-5%,50V-DC,0402,C0G,-55DEG CMIN,125DEG CMAX	C803	2113944A29	CAP,CHIP,22PF,+5%,-5%,50V-DC,0402,C0G,-55DEG CMIN,125DEG CMAX,P
C724	2113955D37	CAP,FXD,10UF,+10%,-10%,16V-DC,1206,X7R,-55DEG CMIN,125DEG CMAX	C754	NOT PLACED	-	C783	2113944C53	CAP,CHIP,1500PF,+5%,-5%,50V-DC,0603,C0G,-55DEG CMIN,125DEG CMAX	C804	2113944A40	CAP,CHIP,100PF,+5%,-5%,50V-DC,0402,C0G,-55DEG CMIN,125DEG CMAX
C725	2113945C31	CAP,FXD,.1UF,+10%,-10%,50V-DC,0603,X7R,-55DEG CMIN,125DEG CMAX	C756	2113955D37	CAP,FXD,10UF,+10%,-10%,16V-DC,1206,X7R,-55DEG CMIN,125DEG CMAX	C789	2113946B04	CAP,CHIP,.1UF,+10%,-10%,10V-DC,0402,X5R,-55DEG CMIN,85DEG CMAX	C805	2113944A40	CAP,CHIP,100PF,+5%,-5%,50V-DC,0402,C0G,-55DEG CMIN,125DEG CMAX
C726	2113945C31	CAP,FXD,.1UF,+10%,-10%,50V-DC,0603,X7R,-55DEG CMIN,125DEG CMAX	C757	2113945C31	CAP,FXD,.1UF,+10%,-10%,50V-DC,0603,X7R,-55DEG CMIN,125DEG CMAX				C806	2113946B06	CAP,CHIP,.22UF,+10%,-10%,10V-DC,0402,X5R,-55DEG CMIN,85DEG CMAX

Ref. Des.	Part Number	Description	Ref. Des.	Part Number	Description	Ref. Des.	Part Number	Description	Ref. Des.	Part Number	Description
C810	2113944A44	CAP,CHIP,220PF,+5%,-5%,50V-DC,0402,C0G,-55DEG CMIN,125DEG CMAX	C906	2113944C04	CAP,CHIP,330PF,+5%,-5%,50V-DC,0603,C0G,-55DEG CMIN,125DEG CMAX	C923	2113944M15	CAP,FXD,7.5PF,.1PF+/-,50V-DC,0603,C0G,-55DEG CMIN,125DEG CMAX	C1111	2113945Y02	CAP,FXD,.1UF,+10%,-10%,16V-DC,0402,X7R,-55DEG CMIN,125DEG CMAX
C813	2113944A63	CAP,FXD,1PF,.25PF+/-,50V-DC,0402,C0G,-55DEG CMIN,125DEG CMAX,P	C907	2113944C04	CAP,CHIP,330PF,+5%,-5%,50V-DC,0603,C0G,-55DEG CMIN,125DEG CMAX	C924	2113944M19	CAP,FXD,11PF,+2%,-2%,50V-DC,0603,C0G,-55DEG CMIN,125DEG CMAX,PB	C1112	2113945B01	CAP,CHIP,6800PF,+10%,-10%,25V-DC,0402,X7R,-55DEG CMIN,125DEG CM
C814	2113945A09	CAP,CHIP,1000PF,+10%,-10%,50V-DC,0402,X7R,-55DEG CMIN,125DEG CM	C908	2113944C04	CAP,CHIP,330PF,+5%,-5%,50V-DC,0603,C0G,-55DEG CMIN,125DEG CMAX	C925	2113944C04	CAP,CHIP,330PF,+5%,-5%,50V-DC,0603,C0G,-55DEG CMIN,125DEG CMAX	C1113	2113945B02	CAP,CHIP,.01UF,+10%,-10%,25V-DC,0402,X7R,-55DEG CMIN,125DEG CMA
C816	2113944A31	CAP,CHIP,33PF,+5%,-5%,50V-DC,0402,C0G,-55DEG CMIN,125DEG CMAX,P	C909	2113944C04	CAP,CHIP,330PF,+5%,-5%,50V-DC,0603,C0G,-55DEG CMIN,125DEG CMAX	C927	NOT PLACED	-	C1116	2113945Y02	CAP,FXD,.1UF,+10%,-10%,16V-DC,0402,X7R,-55DEG CMIN,125DEG CMAX
C820	2113944A44	CAP,CHIP,220PF,+5%,-5%,50V-DC,0402,C0G,-55DEG CMIN,125DEG CMAX	C910	2113944C23	CAP,CHIP,5.1PF,.5PF+/-,50V-DC,0603,C0G,-55DEG CMIN,125DEG CMAX	C928	2113944M23	CAP,FXD,16PF,+2%,-2%,50V-DC,0603,C0G,-55DEG CMIN,125DEG CMAX,PB	C1117	2113945A12	CAP,CHIP,3300PF,+10%,-10%,50V-DC,0402,X7R,-55DEG CMIN,125DEG CM
C830	2113944A44	CAP,CHIP,220PF,+5%,-5%,50V-DC,0402,C0G,-55DEG CMIN,125DEG CMAX	C911	2113945L49	CAP,FXD,.01UF,+5%,-5%,50V-DC,0603,X7R,-55DEG CMIN,125DEG CMAX,P	C929	2113945A12	CAP,CHIP,3300PF,+10%,-10%,50V-DC,0402,X7R,-55DEG CMIN,125DEG CM	C1118	2113945B02	CAP,CHIP,.01UF,+10%,-10%,25V-DC,0402,X7R,-55DEG CMIN,125DEG CMA
C831	2113944A40	CAP,CHIP,100PF,+5%,-5%,50V-DC,0402,C0G,-55DEG CMIN,125DEG CMAX	C912	NOT PLACED	-	C930	2113945A12	CAP,CHIP,3300PF,+10%,-10%,50V-DC,0402,X7R,-55DEG CMIN,125DEG CM	C1119	2113945B02	CAP,CHIP,.01UF,+10%,-10%,25V-DC,0402,X7R,-55DEG CMIN,125DEG CMA
C836	2113944A33	CAP,CHIP,47PF,+5%,-5%,50V-DC,0402,C0G,-55DEG CMIN,125DEG CMAX,P	C913	2113944M29	CAP,FXD,30PF,+2%,-2%,50V-DC,0603,C0G,-55DEG CMIN,125DEG CMAX,PB	C1101	2113945B02	CAP,CHIP,.01UF,+10%,-10%,25V-DC,0402,X7R,-55DEG CMIN,125DEG CMA	C1120	2113945B02	CAP,CHIP,.01UF,+10%,-10%,25V-DC,0402,X7R,-55DEG CMIN,125DEG CMA
C838	2113945A09	CAP,CHIP,1000PF,+10%,-10%,50V-DC,0402,X7R,-55DEG CMIN,125DEG CM	C914	2113944M18	CAP,FXD,10PF,+2.5%,-2.5%,50V-DC,0603,C0G,-55DEG CMIN,125DEG CMA	C1102	2188468Y01	CAP,CHIP,1UF,+10,-10,25V-DC,0805,X7R	C1122	2175390H01	CAP,CER,2.2PF,50V-DC,C0G,CAP,2.2 PF,0402,CERAMIC,50V
C844	2113944A33	CAP,CHIP,47PF,+5%,-5%,50V-DC,0402,C0G,-55DEG CMIN,125DEG CMAX,P	C915	2113944C04	CAP,CHIP,330PF,+5%,-5%,50V-DC,0603,C0G,-55DEG CMIN,125DEG CMAX	C1103	2113945B02	CAP,CHIP,.01UF,+10%,-10%,25V-DC,0402,X7R,-55DEG CMIN,125DEG CMA	C1123	2113945B02	CAP,CHIP,.01UF,+10%,-10%,25V-DC,0402,X7R,-55DEG CMIN,125DEG CMA
C851	2113944A44	CAP,CHIP,220PF,+5%,-5%,50V-DC,0402,C0G,-55DEG CMIN,125DEG CMAX	C916	2113944M40	CAP,FXD,82PF,+2%,-2%,50V-DC,0603,C0G,-55DEG CMIN,125DEG CMAX,PB	C1104	NOT PLACED	-	C1124	2113945A13	CAP,CHIP,4700PF,+10%,-10%,50V-DC,0402,X7R,-55DEG CMIN,125DEG CM
C901	2113944M40	CAP,FXD,82PF,+2%,-2%,50V-DC,0603,C0G,-55DEG CMIN,125DEG CMAX,PB	C917	NOT PLACED	-	C1105	2113944A19	CAP,CHIP,5.6PF,.5PF+/-,50V-DC,0402,C0G,-55DEG CMIN,125DEG CMAX	C1125	NOT PLACED	-
C902	2113944C04	CAP,CHIP,330PF,+5%,-5%,50V-DC,0603,C0G,-55DEG CMIN,125DEG CMAX	C918	2113944C04	CAP,CHIP,330PF,+5%,-5%,50V-DC,0603,C0G,-55DEG CMIN,125DEG CMAX	C1106	2113945B02	CAP,CHIP,.01UF,+10%,-10%,25V-DC,0402,X7R,-55DEG CMIN,125DEG CMA	C1126	2113945A09	CAP,CHIP,1000PF,+10%,-10%,50V-DC,0402,X7R,-55DEG CMIN,125DEG CM
C903	2113945L49	CAP,FXD,.01UF,+5%,-5%,50V-DC,0603,X7R,-55DEG CMIN,125DEG CMAX,P	C919	2113944M22	CAP,FXD,15PF,+2%,-2%,50V-DC,0603,C0G,-55DEG CMIN,125DEG CMAX,PB	C1107	2113944A40	CAP,CHIP,100PF,+5%,-5%,50V-DC,0402,C0G,-55DEG CMIN,125DEG CMAX	C1127	2113945Y02	CAP,FXD,.1UF,+10%,-10%,16V-DC,0402,X7R,-55DEG CMIN,125DEG CMAX
C904	2113944M36	CAP,FXD,56PF,+2%,-2%,50V-DC,0603,C0G,-55DEG CMIN,125DEG CMAX,PB	C920	21009257002	CAP,CER,39PF,+5%,-5%,50V-DC,0805,-55DEG CMIN,125DEG CMAX,0805	C1108	2113946B02	CAP,CHIP,.047UF,+10%,-10%,10V-DC,0402,X5R,-55DEG CMIN,85DEG CMA	C1128	2113945B02	CAP,CHIP,.01UF,+10%,-10%,25V-DC,0402,X7R,-55DEG CMIN,125DEG CMA
C905	2113945L49	CAP,FXD,.01UF,+5%,-5%,50V-DC,0603,X7R,-55DEG CMIN,125DEG CMAX,P	C921	21009257002	CAP,CER,39PF,+5%,-5%,50V-DC,0805,-55DEG CMIN,125DEG CMAX,0805	C1109	2113944A40	CAP,CHIP,100PF,+5%,-5%,50V-DC,0402,C0G,-55DEG CMIN,125DEG CMAX	C1129	2113945B02	CAP,CHIP,.01UF,+10%,-10%,25V-DC,0402,X7R,-55DEG CMIN,125DEG CMA
			C922	2113944M29	CAP,FXD,30PF,+2%,-2%,50V-DC,0603,C0G,-55DEG CMIN,125DEG CMAX,PB	C1110	2113944A40	CAP,CHIP,100PF,+5%,-5%,50V-DC,0402,C0G,-55DEG CMIN,125DEG CMAX	C1130	2113945B02	CAP,CHIP,.01UF,+10%,-10%,25V-DC,0402,X7R,-55DEG CMIN,125DEG CMA

Ref. Des.	Part Number	Description	Ref. Des.	Part Number	Description	Ref. Des.	Part Number	Description	Ref. Des.	Part Number	Description
C1132	NOT PLACED	–	C1222	2113944C04	CAP,CHIP,330PF,+5%,-5%,50V-DC,0603,C0G,-55DEG CMIN,125DEG CMAX	C1503	2113944C45	CAP,CHIP,100PF,+5%,-5%,50V-DC,0603,C0G,-55DEG CMIN,125DEG CMAX	C1521	2113944C45	CAP,CHIP,100PF,+5%,-5%,50V-DC,0603,C0G,-55DEG CMIN,125DEG CMAX
C1134	2113945B01	CAP,CHIP,6800PF,+10%,-10%,25V-DC,0402,X7R,-55DEG CMIN,125DEG CM	C1226	2113944M11	CAP,FXD,5.1PF,.1PF+/-,50V-DC,0603,C0G,-55DEG CMIN,125DEG CMAX	C1504	2113945C02	CAP,CHIP,01UF,+10%,-10%,50V-DC,0603,X7R,-55DEG CMIN,125DEG CMA	C1522	2113944A40	CAP,CHIP,100PF,+5%,-5%,50V-DC,0402,C0G,-55DEG CMIN,125DEG CMAX
C1135	NOT PLACED	–	C1227	2113944M17	CAP,FXD,9.1PF,.1PF+/-,50V-DC,0603,C0G,-55DEG CMIN,125DEG CMAX	C1505	2113944C45	CAP,CHIP,100PF,+5%,-5%,50V-DC,0603,C0G,-55DEG CMIN,125DEG CMAX	C1523	NOT PLACED	–
C1137	2113945B04	CAP,FXD,.022UF,+10%,-10%,25V-DC,0402,X7R,-55DEG CMIN,125DEG CMA	C1301	2113944M20	CAP,FXD,12PF,+2%,-2%,50V-DC,0603,C0G,-55DEG CMIN,125DEG CMAX,PB	C1506	2113944A40	CAP,CHIP,100PF,+5%,-5%,50V-DC,0402,C0G,-55DEG CMIN,125DEG CMAX	C1525	NOT PLACED	–
C1138	2113945B04	CAP,FXD,.022UF,+10%,-10%,25V-DC,0402,X7R,-55DEG CMIN,125DEG CMA	C1302	2114036F74	CAP,FXD,1.8PF,.05PF+/-,25V-DC,0402,C0G,-55DEG CMIN,125DEG CMAX	C1507	2113944A40	CAP,CHIP,100PF,+5%,-5%,50V-DC,0402,C0G,-55DEG CMIN,125DEG CMAX	C1526	2113945Y02	CAP,FXD,.1UF,+10%,-10%,16V-DC,0402,X7R,-55DEG CMIN,125DEG CMAX
C1139	2113944A25	CAP,CHIP,10PF,+5%,-5%,50V-DC,0402,C0G,-55DEG CMIN,125DEG CMAX,P	C1303	2113944A26	CAP,CHIP,12PF,+5%,-5%,50V-DC,0402,C0G,-55DEG CMIN,125DEG CMAX,P	C1508	2113944C12	CAP,CHIP,1.8PF,.25PF+/-,50V-DC,0603,C0G,-55DEG CMIN,125DEG CMA	C1527	21007088006	CAP,CER CHIP,10PF,+5%,-5%,100V-DC,C0G,-55DEG CMIN,125DEG CMAX
C1140	2113945A13	CAP,CHIP,4700PF,+10%,-10%,50V-DC,0402,X7R,-55DEG CMIN,125DEG CM	C1304	2113945A09	CAP,CHIP,1000PF,+10%,-10%,50V-DC,0402,X7R,-55DEG CMIN,125DEG CM	C1509	2113944C41	CAP,CHIP,68PF,+5%,-5%,50V-DC,0603,C0G,-55DEG CMIN,125DEG CMAX,P	C1598	2113945A12	CAP,CHIP,3300PF,+10%,-10%,50V-DC,0402,X7R,-55DEG CMIN,125DEG CM
C1141	2113945Y02	CAP,FXD,.1UF,+10%,-10%,16V-DC,0402,X7R,-55DEG CMIN,125DEG CMAX	C1305	2113944A30	CAP,CHIP,27PF,+5%,-5%,50V-DC,0402,C0G,-55DEG CMIN,125DEG CMAX,P	C1510	2113944M26	CAP,FXD,22PF,+2%,-2%,50V-DC,0603,C0G,-55DEG CMIN,125DEG CMAX,PB	C1599	2113945A12	CAP,CHIP,3300PF,+10%,-10%,50V-DC,0402,X7R,-55DEG CMIN,125DEG CM
C1142	2113945A09	CAP,CHIP,1000PF,+10%,-10%,50V-DC,0402,X7R,-55DEG CMIN,125DEG CM	C1306	2113945B02	CAP,CHIP,.01UF,+10%,-10%,25V-DC,0402,X7R,-55DEG CMIN,125DEG CMA	C1511	2113944M30	CAP,FXD,33PF,+2%,-2%,50V-DC,0603,C0G,-55DEG CMIN,125DEG CMAX,PB	C1700	2113944M06	CAP,FXD,3.3PF,.1PF+/-,50V-DC,0603,C0G,-55DEG CMIN,125DEG CMAX
C1149	2113944A40	CAP,CHIP,100PF,+5%,-5%,50V-DC,0402,C0G,-55DEG CMIN,125DEG CMAX	C1307	2113944A26	CAP,CHIP,12PF,+5%,-5%,50V-DC,0402,C0G,-55DEG CMIN,125DEG CMAX,P	C1512	NOT PLACED	–	C1701	2113944M14	CAP,FXD,6.8PF,.1PF+/-,50V-DC,0603,C0G,-55DEG CMIN,125DEG CMAX
C1150	2175392H01	CAP,CER,1.2PF,50V-DC, C0G, CAP, 1.2PF, 0402, CERAMIC, 50V	C1308	2113944A28	CAP,CHIP,18PF,+5%,-5%,50V-DC,0402,C0G,-55DEG CMIN,125DEG CMAX,P	C1513	2113944C45	CAP,CHIP,100PF,+5%,-5%,50V-DC,0603,C0G,-55DEG CMIN,125DEG CMAX	C1702	2113944M15	CAP,FXD,7.5PF,.1PF+/-,50V-DC,0603,C0G,-55DEG CMIN,125DEG CMAX
C1152	2113945A11	CAP,CHIP,2200PF,+10%,-10%,50V-DC,0402,X7R,-55DEG CMIN,125DEG CM	C1309	2175389H01	CAP,.5PF,CAP,.5PF,CHIP,0402,CERAMIC,50V	C1514	2113945C02	CAP,CHIP,01UF,+10%,-10%,50V-DC,0603,X7R,-55DEG CMIN,125DEG CMA	C1703	2113944M06	CAP,FXD,3.3PF,.1PF+/-,50V-DC,0603,C0G,-55DEG CMIN,125DEG CMAX
C1203	2113944M19	CAP,FXD,11PF,+2%,-2%,50V-DC,0603,C0G,-55DEG CMIN,125DEG CMAX,PB	C1310	2113944A17	CAP,CHIP,4.7PF,.25PF+/-,50V-DC,0402,C0G,-55DEG CMIN,125DEG CMA	C1515	NOT PLACED	–	C1704	2113944M02	CAP,FXD,2.2PF,.1PF+/-,50V-DC,0603,C0G,-55DEG CMIN,125DEG CMAX
C1204	2113944M13	CAP,FXD,6.2PF,.1PF+/-,50V-DC,0603,C0G,-55DEG CMIN,125DEG CMAX	C1500	2113944C45	CAP,CHIP,100PF,+5%,-5%,50V-DC,0603,C0G,-55DEG CMIN,125DEG CMAX	C1516	21007088001	CAP,CER CHIP,33PF,+5%,-5%,50V-DC,C0G,-55DEG CMIN,125DEG CMAX,0	C1705	2113944C67	CAP,FXD,1.5PF,.1PF+/-,50V-DC,0603,C0G,-55DEG CMIN,125DEG CMAX
C1207	2113944M27	CAP,FXD,24PF,+2%,-2%,50V-DC,0603,C0G,-55DEG CMIN,125DEG CMAX,PB	C1501	2113945C02	CAP,CHIP,.01UF,+10%,-10%,50V-DC,0603,X7R,-55DEG CMIN,125DEG CMA	C1517	21007088008	CAP,CER CHIP,18PF,+5%,-5%,100V-DC,0805,C0G,-55DEG CMIN,125DEG C	C1706	NOT PLACED	–
C1220	2113944M16	CAP,FXD,8.2PF,.1PF+/-,50V-DC,0603,C0G,-55DEG CMIN,125DEG CMAX	C1502	2113944C45	CAP,CHIP,100PF,+5%,-5%,50V-DC,0603,C0G,-55DEG CMIN,125DEG CMAX	C1518	21007088007	CAP,CER CHIP,7.5PF,.5PF+/-,100V-DC,C0G,-55DEG CMIN,125DEG CMA	C1707	2113944C45	CAP,CHIP,100PF,+5%,-5%,50V-DC,0603,C0G,-55DEG CMIN,125DEG CMAX
C1221	2113944M27	CAP,FXD,24PF,+2%,-2%,50V-DC,0603,C0G,-55DEG CMIN,125DEG CMAX,PB				C1519	NOT PLACED	–	C1920	2113946D07	CAP,CHIP,4.7UF,+10%,-10%,6.3V-DC,0603,X5R,-55DEG CMIN,85DEG CMA
						C1520	21007088005	CAP,CER CHIP,8.2PF,.5PF+/-,100V-DC,C0G,-55DEG CMIN,125DEG CMA	C1922	2113944A40	CAP,CHIP,100PF,+5%,-5%,50V-DC,0402,C0G,-55DEG CMIN,125DEG CMAX

Ref. Des.	Part Number	Description	Ref. Des.	Part Number	Description	Ref. Des.	Part Number	Description	Ref. Des.	Part Number	Description
C1923	2113944A40	CAP,CHIP,100PF,+5%,-5%,50V-DC,0402,C0G,-55DEG CMIN,125DEG CMAX	C1956	2115153H28	CAP,CER CHIP,4PF,.1PF+/-,+1%,-.1%,50V-DC,0402,C0G	E1921	2480640Z01	FLTR,FERR,SM,SUR MT FERR BEAD	L503	2414032F38	IDCTR,WW,220NH,5%,400MA,.70HM,CER,30 Q,630MHZ SRF,SM,PB-FRE
C1924	2113946D07	CAP,CHIP,4.7UF,+10%,-10%,6.3V-DC,0603,X5R,-55DEG CMIN,85DEG CMA	C1957	2115153H21	CAP,FXD,5.6PF,.1PF+/-,50V-DC,0402,C0G	F200	6575834B01	FUSE,FST BLW,2A,32V,FUSE SUR MT	L504	2414032F41	IDCTR,WW,390NH,10%,200MA,1.50HM,CER,40 Q,730MHZ SRF,SM,PB-F
C1925	2113944A40	CAP,CHIP,100PF,+5%,-5%,50V-DC,0402,C0G,-55DEG CMIN,125DEG CMAX	C1958	2115153H38	CAP,FXD,16PF,+1%,-1%,50V-DC,0402,C0G	FL1301	9189697V15	FLTR,1.57542GHZ NOM,1.57642GHZ MIN,1.57442GHZ MAX,50OHM,SM,PB	L505	2415429H39	IDCTR,WW,150NH,5%,280MA,.92OHM,CER,SM,0603,CHIP
C1926	2113946B04	CAP,CHIP,1UF,+10%,-10%,10V-DC,0402,X5R,-55DEG CMIN,85DEG CMAX	C1959	2115153H12	CAP,FXD,2.4PF,.1PF+/-,+4.2%,-4.2%,50V-DC,0402,C0G	FL501	91009300001	FLTR,BANDPASS,109.65MHZ NOM,FILTER,MONOLITHIC CRYSTAL,BAND	L506	2415429H39	IDCTR,WW,150NH,5%,280MA,.92OHM,CER,SM,0603,CHIP
C1928	2115153H28	CAP,CER CHIP,4PF,.1PF+/-,+1%,-.1%,50V-DC,0402,C0G	C1960	2115153H07	CAP,FXD,1.5PF,.1PF+/-,50V-DC,0402,C0G	J101	0909901V02	CONN,RCPT,SMT MCX	L507	2415427H36	IDCTR,WW,33NH,5%,400MA,CER,SM,0402,CHIP
C1929	2115153H30	CAP,FXD,6PF,.1PF+/-,+1%,-.1%,50V-DC,0402,C0G	C1961	2115153H12	CAP,FXD,2.4PF,.1PF+/-,+4.2%,-4.2%,50V-DC,0402,C0G	J102	0975886B01	RF CONN,F,RECEPTACLE,COAX CBL	L508	2478390A22	IDCTR,WW,20NH,2%,.042OHM,CER,14GHZ SRF,0402 CHIP IDCTR
C1931	2171051Y05	CAP,CER CHIP,180PF,+1%,-1%,50V-DC,0402,COG,-55DEG CMIN,125DEG C	C1963	2115153H21	CAP,FXD,5.6PF,.1PF+/-,50V-DC,0402,C0G	L200	2571269C01	IDCTR,COIL,1.5UH,20%,2.9A,.059OHM,FERR,SM,WW PWR W18 COMP	L509	2478390A11	IDCTR,WW,8.7NH,2%,.042OHM,CER,14GHZ SRF,0402 CHIP IDCTR
C1935	2115153H12	CAP,FXD,2.4PF,.1PF+/-,+4.2%,-4.2%,50V-DC,0402,C0G	D200	4813978A19	DIODE,RECT,MBR120,SM,SOD-123,1A,20V,SHTK,PB-FREE	L301	2414032F35	IDCTR,WW,120NH,5%,400MA,.51OHM,CER,35 Q,860MHZ SRF,SM,PB-FR	L511	2478057A14	IDCTR,WW,8.2NH,2%,.054OHM,CER,46 Q,5.9GHZ SRF,PCMT,8.2NH S
C1936	2115153H31	CAP,FXD,7PF,.1PF+/-,50V-DC,0402,C0G,-55DEG CMIN,25DEG CMAX	D722	4815011H01	DIODE,SWG,SM,300MA,80V,TRP	L302	2460591H08	IDCTR,AW,36.6NH,AIR,10 TURNS,28 AWG,SM,HI Q, SUR MT COIL	L601	2415429H43	IDCTR,WW,220NH,5%,300MA,2.1OHM,CER,0 AWG,SM,0603,CHIP
C1938	2115153H07	CAP,FXD,1.5PF,.1PF+/-,50V-DC,0402,C0G	D723	4815011H01	DIODE,SWG,SM,300MA,80V,TRP	L303	2460591H08	IDCTR,AW,36.6NH,AIR,10 TURNS,28 AWG,SM,HI Q, SUR MT COIL	L602	2466505A01	CHIP INDUCTOR,CHIP,10UH,5%,150MA,FERR,0 AWG,SM, PB-FREE
C1939	2115153H12	CAP,FXD,2.4PF,.1PF+/-,+4.2%,-4.2%,50V-DC,0402,C0G	E200	2405688Z01	IDCTR,BEAD,FERR BEAD	L304	2414017N22	IDCTR,CHIP,68NH,5%,400MA,1.2OHM,CER,14 Q,800MHZ SRF,SM,0603	L603	2466505A01	CHIP INDUCTOR,CHIP,10UH,5%,150MA,FERR,0 AWG,SM, PB-FREE
C1940	2113944A40	CAP,CHIP,100PF,+5%,-5%,50V-DC,0402,C0G,-55DEG CMIN,125DEG CMAX	E201	2405688Z01	IDCTR,BEAD,FERR BEAD	L305	2415429H34	IDCTR,WW,72NH,5%,400MA,.49OHM,CER,SM,0603,CHIP	L604	2414032D16	IDCTR,WW,120NH,5%,800MA,.26OHM,CER,42 Q,1GHZ SRF,SM,PB-FREE
C1941	2113946B04	CAP,CHIP,1UF,+10%,-10%,10V-DC,0402,X5R,-55DEG CMIN,85DEG CMAX	E301	2480640Z01	FLTR,FERR,SM,SUR MT FERR BEAD	L306	2414017P13	IDCTR,CHIP,10NH,5%,300MA,.46OHM,CER,9 Q,2.5GHZ SRF,SM,0402,P	L605	2414017Q54	IDCTR,FXD,3.9UH,10%,30MA,.90HM,FERR,45 Q,38MHZ SRF,SM,0805,P
C1942	2115153H38	CAP,FXD,16PF,+1%,-1%,50V-DC,0402,C0G	E501	2480640Z01	FLTR,FERR,SM,SUR MT FERR BEAD	L307	2414032F35	IDCTR,WW,120NH,5%,400MA,.51OHM,CER,35 Q,860MHZ SRF,SM,PB-FR	L701	2415429H47	IDCTR,WW,390NH,5%,100MA,CER,SM,CHIP
C1952	2115153H30	CAP,FXD,6PF,.1PF+/-,+1%,-.1%,50V-DC,0402,C0G	E601	2480640Z01	FLTR,FERR,SM,SUR MT FERR BEAD	L308	2414032F35	IDCTR,WW,120NH,5%,400MA,.51OHM,CER,35 Q,860MHZ SRF,SM,PB-FR	L720	2480646Z20	IDCTR,FXD,2.2UH,10%,15MA,SM,MULTI-LAYER CHIP
C1953	2115153H28	CAP,CER CHIP,4PF,.1PF+/-,+1%,-.1%,50V-DC,0402,C0G	E602	2480640Z01	FLTR,FERR,SM,SUR MT FERR BEAD	L309	2415429H28	IDCTR,WW,39NH,5%,600MA,CER,SM,CHIP	L727	2480646Z20	IDCTR,FXD,2.2UH,10%,15MA,SM,MULTI-LAYER CHIP
C1953	2115153H28	CAP,CER CHIP,4PF,.1PF+/-,+1%,-.1%,50V-DC,0402,C0G	E603	2480640Z01	FLTR,FERR,SM,SUR MT FERR BEAD	L310	2415429H28	IDCTR,WW,39NH,5%,600MA,CER,SM,CHIP	L728	2415429H47	IDCTR,WW,390NH,5%,100MA,CER,SM,CHIP
C1954	2113944A40	CAP,CHIP,100PF,+5%,-5%,50V-DC,0402,C0G,-55DEG CMIN,125DEG CMAX	E604	2480640Z01	FLTR,FERR,SM,SUR MT FERR BEAD	L501	2415429H23	IDCTR,WW,24NH,5%,700MA,.135OHM,CER,SM,0603,CHIP	L733	2480646Z20	IDCTR,FXD,2.2UH,10%,15MA,SM,MULTI-LAYER CHIP
C1955	2113946B04	CAP,CHIP,1UF,+10%,-10%,10V-DC,0402,X5R,-55DEG CMIN,85DEG CMAX	E605	2480640Z01	FLTR,FERR,SM,SUR MT FERR BEAD	L502	2415429H30	IDCTR,WW,47NH,5%,600MA,CER,SM,CHIP	L735	2480646Z20	IDCTR,FXD,2.2UH,10%,15MA,SM,MULTI-LAYER CHIP
			E606	2480640Z01	FLTR,FERR,SM,SUR MT FERR BEAD						
			E607	2480640Z01	FLTR,FERR,SM,SUR MT FERR BEAD						
			E608	2480640Z01	FLTR,FERR,SM,SUR MT FERR BEAD						
			E609	2480640Z01	FLTR,FERR,SM,SUR MT FERR BEAD						
			E1101	2405688Z01	IDCTR,BEAD,FERR BEAD						

Ref. Des.	Part Number	Description	Ref. Des.	Part Number	Description	Ref. Des.	Part Number	Description	Ref. Des.	Part Number	Description
L738	2480646Z20	IDCTR,FXD,2.2UH,10%,15MA,SM,MULTI-LAYER CHIP	L1102	2415429H10	IDCTR,WW,6.8NH,5%,700MA,.11OHM,CER,SM,0603,CHIP	L1700	2471902Y05	IDCTR,AW,12.1NH,5%,4.4A,.007OHM,4.3GHZ SRF,SM,PB-FREE	M1	3275623B02	GSKT,CUST,PAD, THRM ELEC
L741	2480646Z20	IDCTR,FXD,2.2UH,10%,15MA,SM,MULTI-LAYER CHIP	L1103	2475393H01	IDCTR,COIL,4.7NH,2%,750MA,.07OHM,SM,INDUCTOR, 4.7NH,040	L1701	2471902Y05	IDCTR,AW,12.1NH,5%,4.4A,.007OHM,4.3GHZ SRF,SM,PB-FREE	M2	75009299001	PAD,THRM INTFC - CNDT,PAD,THRM
L753	2415347H06	IDCTR,WW,2.2UH,5%,320MA,1.2OHM,CER,SM,IDCTR,2200NH	L1104	0613952R66	RES,MF,0OHM,5%,.0625W,SM,0402,PB-FREE	L1702	2471902Y05	IDCTR,AW,12.1NH,5%,4.4A,.007OHM,4.3GHZ SRF,SM,PB-FREE	M3	1104959T01	COATING-CONTACT
L802	2415429H26	IDCTR,WW,33NH,5%,600MA,.22OHM,CER,SM,0603,CHIP	L1108	2409348J04	IDCTR,5%,SM,AIR CORE 2214	L1908	2478057A06	IDCTR,WW,4.3NH,2%,.08OHM,CER,30 Q,7.5GHZ SRF,PCMT, 4.3 NH S	M101	2871616H01	CONN,N/A,GLD,CONNECTOR,BPLUS
L806	2415429H47	IDCTR,WW,390NH,5%,100MA,CER,SM,CHIP	L1114	2475394H01	IDCTR,COIL,11NH,2%,.14OHM,SM,INDUCTOR, 11NH, 0402,+/-2	L1909	2478057A23	IDCTR,WW,18NH,2%,.066OHM,CER,41 Q,3.3GHZ SRF,PCMT, 18 NH SU	M103	3987977Y04	CONT,CONN,1CONT,ANT UNIV 4.5MM,UC 1.8
L817	2414032F41	IDCTR,WW,390NH,10%,200MA,1.5OHM,CER,40 Q,730MHZ SRF,SM,PB-F	L1203	2460591D81	IDCTR,AW,43NH,HI Q REELED SUR MT AIR WOUND	L1910	2478057A23	IDCTR,WW,18NH,2%,.066OHM,CER,41 Q,3.3GHZ SRF,PCMT, 18 NH SU	M104	NOT PLACED	-
L821	2415429H47	IDCTR,WW,390NH,5%,100MA,CER,SM,CHIP	L1209	2460591D81	IDCTR,AW,43NH,HI Q REELED SUR MT AIR WOUND	L1912	2478057A05	IDCTR,WW,3.9NH,2%,.039OHM,CER,35 Q,7.5GHZ SRF,PCMT, 3.9 NH	M105	3987977Y04	CONT,CONN,1CONT,ANT UNIV 4.5MM,UC 1.8
L846	2414032F41	IDCTR,WW,390NH,10%,200MA,1.5OHM,CER,40 Q,730MHZ SRF,SM,PB-F	L1211	2460591D81	IDCTR,AW,43NH,HI Q REELED SUR MT AIR WOUND	L1913	2478057A23	IDCTR,WW,18NH,2%,.066OHM,CER,41 Q,3.3GHZ SRF,PCMT, 18 NH SU	M106	NOT PLACED	-
L901	2414017N10	IDCTR,CHIP,6.8NH,5%,600MA,.22OHM,CER,10 Q,2.7GHZ SRF,SM,0603	L1301	2488090Y07	IDCTR,CHIP,3.3NH,5%,300MA,CER,SM,0402,MULAY PB FREE	L1914	2478057A23	IDCTR,WW,18NH,2%,.066OHM,CER,41 Q,3.3GHZ SRF,PCMT, 18 NH SU	P101	2887818K05	RECTANGULAR CONNECTOR,STKNG,MIX,40CONT,VERT,SMD
L902	2415429H37	IDCTR,WW,110NH,5%,300MA.61OHM,CER,SM,0603,CHIP	L1302	2488090Y25	IDCTR,CHIP,100NH,5%,90MA,CER,SM,0402,MULAY PB FREE	L1915	2478057A35	IDCTR,WW,47NH,2%,680MA,.24OHM,CER,5GHZ SRF,SM,0306 HI Q CH	PASTE	1085674C03	PROD CONSUM,SLDR,T MELT = 217C
L903	2414015A07	IDCTR,FXD,180NH,2%,750MA,.77OHM,CER,25 Q,700MHZ SRF,SM,1008	L1303	2414017P25	IDCTR,CHIP,100NH,5%,100MA,5.5OHM,CER,8 Q,650MHZ SRF,SM,0402	L1916	2414017P14	IDCTR,CHIP,12NH,5%,300MA,.6OHM,CER,9 Q,2GHZ SRF,SM,0402,PB-F	PCB	84012125001	PCB,XCVR,10 LAYER,BOARD,PC, PORT VHF & UHF2
L904	2414017N18	IDCTR,CHIP,33NH,5%,600MA,.71OHM,CER,12 Q,1.1GHZ SRF,SM,0603	L1305	2475391H01	IDCTR,WW,18UH,2%,.27OHM,INDUCTOR, 18 NH, CHIP, 0402, 2	L1917	2478057A36	IDCTR,WW,51NH,2%,660MA,.28OHM,CER,5GHZ SRF,SM,0306 HI Q CH	Q201	4813970A59	XSTR,FET GP PWR,P-CH,ENHN,SM,SOT-23,20V,.4W,PB-FREE
L905	2414017N16	IDCTR,CHIP,22NH,5%,600MA,.54OHM,CER,12 Q,1.3GHZ SRF,SM,0603	L1306	2488090Y10	IDCTR,CHIP,5.6NH,5%,300MA,CER,SM,0402,MULAY PB FREE	L1919	2414017P14	IDCTR,CHIP,12NH,5%,300MA,.6OHM,CER,9 Q,2GHZ SRF,SM,0402,PB-F	Q201	4805656W87	DIODE,VCTR, @ 15V,1SV279,SOD-523/SC-79,SOD-523/SC-79
L906	2460591E24	IDCTR,AW,23.75NH,COIL 23.75	L1500	2414015A07	IDCTR,FXD,180NH,2%,750MA,.77OHM,CER,25 Q,700MHZ SRF,SM,1008	L1934	2478057A38	IDCTR,WW,72NH,2%,550MA,.42OHM,CER,1.9GHZ SRF,SM,0306 HI Q	Q201	4813970A59	XSTR,FET GP PWR,P-CH,ENHN,SM,SOT-23,20V,.4W,PB-FREE
L907	2471968L13	IDCTR,AW,5.5NH,2%,4A,SM,LOW PROFILE MINI SPR IDCTR	L1501	2415429H18	IDCTR,WW,15NH,5%,700MA,.17OHM,CER,SM,0603,CHIP	L1935	2478057A26	IDCTR,WW,24NH,2%,.074OHM,CER,42 Q,2.95GHZ SRF,PCMT, 24 NH S	Q202	4813973A32	XSTR,BIP GP SS,NPN,SM,SC-70,SMT,50V,.202W,100MA,PB-FREE
L908	2415428H01	IDCTR,AW,1.65NH,10%,1.6A,AIR,2 TURNS,SM,AIR WOUND IDCTR	L1502	2415429H03	IDCTR,WW,3.3NH,5%,700MA,CER,SM,0603,CHIP	L1936	2415429H01	IDCTR,WW,1.6NH,5%,700MA,.03OHM,CER,SM,0603,CHIP	Q202	4813973A32	XSTR,BIP GP SS,NPN,SM,SC-70,SMT,50V,.202W,100MA,PB-FREE
L909	2471968L11	IDCTR,AW,13NH,2%,4A,.0039OHM,AIR,5 TURNS,100 Q,3GHZ SRF,SM,1	L1503	2415429H17	IDCTR,WW,12NH,5%,700MA,.13OHM,CER,SM,0603,CHIP	L1938	NOT PLACED	-	Q301	4813973A32	XSTR,BIP GP SS,NPN,SM,SC-70,SMT,50V,.202W,100MA,PB-FREE
L910	2415385H03	IDCTR,AW,18.5NH,2%,4A,AIR,SM	L1504	2415429H02	IDCTR,WW,1.8NH,5%,700MA,.045OHM,CER,SM,0603,CHIP				Q301	4813973A32	XSTR,BIP GP SS,NPN,SM,SC-70,SMT,50V,.202W,100MA,PB-FREE
L1101	2415429H30	IDCTR,WW,47NH,5%,600MA,CER,SM,CHIP	L1505	2460591E24	IDCTR,AW,23.75NH,COIL 23.75				Q302	4813973M75	XSTR,BIP GP SS,PNP,BC858,SOT-563,SMT,-30V,.357W,-100MA,100MHZ

Ref. Des.	Part Number	Description	Ref. Des.	Part Number	Description	Ref. Des.	Part Number	Description	Ref. Des.	Part Number	Description
Q501	4813973M75	XSTR,BIP GP SS,PNP,BC858, SOT-563,SMT,-30V,.357W, -100MA,100MHZ	Q842	4805585Q32	XSTR,BIP RF SML SGNL,NPN, NE662M04,SM,SOT-343,3.3V, TRANSITO	R308	0613952Q25	RES,MF,10OHM,5%,.0625W,SM, 0402,200PPM/CEL,PB-FREE	R611	0613952R01	RES,MF,10KOHM,5%,.0625W,SM ,0402,200PPM/CEL,PB-FREE
Q501	4813973M75	XSTR,BIP GP SS,PNP, BC858, SOT-563,SMT,-30V, .357W, -100MA,100MHZ	Q901	5185633C90	AMP MDL,MODULE,RING, XSTR, FET RF POWER, VHF	R309	0613952Q25	RES,MF,10OHM,5%,.0625W,SM, 0402,200PPM/CEL,PB-FREE	R612	0613952Q94	RES,MF,7.5KOHM,5%,.0625W,S M,0402,200PPM/CEL,PB-FREE
Q503	4885316E32	XSTR,BIP RF SML SGNL, SLCN, BFR380F,SM,SMT,6V,380W, 80A, 14MHZ,TR	Q1101	4813973A32	XSTR,BIP GP SS,NPN,SM, SC-70,SMT,50V,.202W,100MA, PB-FREE	R501	NOT PLACED	-	R613	0613952Q82	RES,MF,2.4KOHM,5%,.0625W,S M,0402,200PPM/CEL,PB-FREE
Q503	4885316E32	XSTR,BIP RF SML SGNL, SLCN, BFR380F,SM,SMT,6V,380W, 80A, 14MHZ,TR	Q1102	4813973A32	XSTR,BIP GP SS,NPN,SM, SC-70,SMT,50V,.202W,100MA, PB-FREE	R502	0613952Q45	RES,MF,68OHM,5%,.0625W,SM, 0402,200PPM/CEL,PB-FREE	R614	0613952R66	RES,MF,0OHM,5%,.0625W,SM, 0402,PB-FREE
Q601	4813973A04	XSTR,BIP GP SS,NPN,TA13, SM, SOT-23,SMT,30V,.225W, 300MA, 125MHZ,P	Q1103	4813970A59	XSTR,FET GP PWR,P-CH, ENHN,SM,SOT-23,20V,.4W,PB- FREE	R503	0613952R10	RES,MF,24KOHM,5%,.0625W,SM ,0402,200PPM/CEL,PB-FREE	R615	NOT PLACED	-
Q601	4813973A04	XSTR,BIP GP SS,NPN,TA13, SM, SOT-23,SMT,30V,.225W, 300MA, 125MHZ,P	Q1104	4813970A59	XSTR,FET GP PWR,P-CH, ENHN,SM,SOT-23,20V,.4W,PB- FREE	R504	0613952Q85	RES,MF,3.3KOHM,5%,.0625W, SM,0402,200PPM/CEL,PB-FREE	R616	NOT PLACED	-
Q703	4813973M75	XSTR,BIP GP SS,PNP,BC858, SOT-563,SMT,-30V,.357W, -100MA,100MHZ	Q1105	NOT PLACED	-	R505	0613952R31	RES,MF,180KOHM,5%,.0625W, SM,0402,200PPM/CEL,PB-FREE	R617	NOT PLACED	-
Q703	4813973M75	XSTR,BIP GP SS,PNP,BC858, SOT-563,SMT,-30V,.357W, -100MA,100MHZ	Q1500	5185633C92	AMP MDL,MODULE,RING, XSTR, FET RF POWER, UHF	R506	0613952Q53	RES,MF,150OHM,5%,.0625W,SM, 0402,200PPM/CEL,PB-FREE	R618	NOT PLACED	-
Q712	4813973M75	XSTR,BIP GP SS,PNP,BC858, SOT-563,SMT,-30V,.357W, -100MA,100MHZ	Q1920	4813973A32	XSTR,BIP GP SS,NPN,SM, SC-70,SMT,50V,.202W,100MA, PB-FREE	R507	0613952Q83	RES,MF,2.7KOHM,5%,.0625W, SM,0402,200PPM/CEL,PB-FREE	R619	NOT PLACED	-
Q712	4813973M75	XSTR,BIP GP SS,PNP,BC858, SOT-563,SMT,-30V,.357W, -100MA,100MHZ	Q1922	4813973M75	XSTR,BIP GP SS,PNP,BC858, SOT-563,SMT,-30V,.357W, -100MA,100MHZ	R508	0613952Q41	RES,MF,47OHM,5%,.0625W,SM, 0402,200PPM/CEL,PB-FREE	R620	NOT PLACED	-
Q713	4805585Q32	XSTR,BIP RF SML SGNL,NPN, NE662M04, SM,SOT-343,3.3V, TRANSITO	R101	0613952R01	RES,MF,10KOHM,5%,.0625W, SM,0402,200PPM/CEL,PB-FREE	R509	0613952Q25	RES,MF,10OHM,5%,.0625W,SM, 0402,200PPM/CEL,PB-FREE	R621	NOT PLACED	-
Q713	4805585Q32	XSTR,BIP RF SML SGNL,NPN, NE662M04,SM,SOT-343,3.3V, TRANSITO	R103	0613952R01	RES,MF,10KOHM,5%,.0625W,SM ,0402,200PPM/CEL,PB-FREE	R511	0613952Q13	RES,MF,3.3OHM,5%,.0625W,SM, 0402,200PPM/CEL,PB-FREE	R622	NOT PLACED	-
Q714	4889394V04	XSTR,FET GP SS,MOSFET, N-CH,ENHN,SM,20V,.25W, PB-FREE TWO FETS	R201	0613952R25	RES,MF,100KOHM,5%,.0625W, SM,0402,200PPM/CEL,PB-FREE	R512	NOT PLACED	-	R623	NOT PLACED	-
Q714	4889394V04	XSTR,FET GP SS,MOSFET, N-CH,ENHN,SM,20V,.25W,PB- FREE TWO FETS	R202	0613952Q89	RES,MF,4.7KOHM,5%,.0625W, SM,0402,200PPM/CEL,PB-FREE	R597	0613952R66	RES,MF,0OHM,5%,.0625W,SM, 0402,PB-FREE	R624	NOT PLACED	-
Q774	4885061Y01	XSTR,BIP RF SML SGNL,NPN, SM,12GHZ	R301	0613952R22	RES,MF,75KOHM,5%,.0625W,SM ,0402,200PPM/CEL,PB-FREE	R601	0613952Q41	RES,MF,47OHM,5%,.0625W,SM, 0402,200PPM/CEL,PB-FREE	R698	0613952R66	RES,MF,0OHM,5%,.0625W,SM, 0402,PB-FREE
Q774	4885061Y01	XSTR,BIP RF SML SGNL,NPN, SM,12GHZ	R302	0613952R27	RES,MF,120KOHM,5%,.0625W, SM,0402,200PPM/CEL,PB-FREE	R602	0613952Q63	RES,MF,390OHM,5%,.0625W,SM, 0402,200PPM/CEL,PB-FREE	R699	0613952R66	RES,MF,0OHM,5%,.0625W,SM, 0402,PB-FREE
Q842	4805585Q32	XSTR,BIP RF SML SGNL,NPN, NE662M04,SM,SOT-343,3.3V, TRANSITO	R303	0613952R01	RES,MF,10KOHM,5%,.0625W,SM ,0402,200PPM/CEL,PB-FREE	R603	0613952R25	RES,MF,100KOHM,5%,.0625W, SM,0402,200PPM/CEL,PB-FREE	R701	0613952Q49	RES,MF,100OHM,5%,.0625W,SM, 0402,200PPM/CEL,PB-FREE
			R304	0613952Q37	RES,MF,33OHM,5%,.0625W,SM, 0402,200PPM/CEL,PB-FREE	R604	0613952Q63	RES,MF,390OHM,5%,.0625W,SM, 0402,200PPM/CEL,PB-FREE	R702	0613952R66	RES,MF,0OHM,5%,.0625W,SM, 0402,PB-FREE
			R305	0613952Q89	RES,MF,4.7KOHM,5%,.0625W,S M,0402,200PPM/CEL,PB-FREE	R605	0613952R01	RES,MF,10KOHM,5%,.0625W,SM ,0402,200PPM/CEL,PB-FREE	R703	0613952Q42	RES,MF,51OHM,5%,.0625W,SM, 0402,200PPM/CEL,PB-FREE
			R306	0613952Q25	RES,MF,10OHM,5%,.0625W,SM, 0402,200PPM/CEL,PB-FREE	R606	0613952R01	RES,MF,10KOHM,5%,.0625W,SM ,0402,200PPM/CEL,PB-FREE	R704	0613952Q42	RES,MF,51OHM,5%,.0625W,SM, 0402,200PPM/CEL,PB-FREE
						R607	0613952R25	RES,MF,100KOHM,5%,.0625W, SM,0402,200PPM/CEL,PB-FREE	R705	0613952Q25	RES,MF,10OHM,5%,.0625W,SM, 0402,200PPM/CEL,PB-FREE
						R608	0613952R01	RES,MF,10KOHM,5%,.0625W,SM ,0402,200PPM/CEL,PB-FREE	R706	0613952R66	RES,MF,0OHM,5%,.0625W,SM, 0402,PB-FREE
						R609	0613952Q81	RES,MF,2.2KOHM,5%,.0625W, SM,0402,200PPM/CEL,PB-FREE	R707	0613952R66	RES,MF,0OHM,5%,.0625W,SM, 0402,PB-FREE
						R610	0613952R25	RES,MF,100KOHM,5%,.0625W ,SM,0402,200PPM/CEL,PB-FREE	R708	0613952Q49	RES,MF,100OHM,5%,.0625W,SM, 0402,200PPM/CEL,PB-FREE
									R709	0613952Q45	RES,MF,68OHM,5%,.0625W,SM, 0402,200PPM/CEL,PB-FREE
									R710	0613952Q56	RES,MF,200OHM,5%,.0625W,SM, 0402,200PPM/CEL,PB-FREE
									R711	0613952Q45	RES,MF,68OHM,5%,.0625W,SM, 0402,200PPM/CEL,PB-FREE

Ref. Des.	Part Number	Description	Ref. Des.	Part Number	Description	Ref. Des.	Part Number	Description	Ref. Des.	Part Number	Description
R712	0613952Q67	RES,MF,560OHM,5%,.0625W,SM,0402,200PPM/CEL,PB-FREE	R811	0613952Q39	RES,MF,39OHM,5%,.0625W,SM,0402,200PPM/CEL,PB-FREE	R1103	06009259001	RES,SHUNT,.02OHM,.25W,SMD,LOW RESISTANCE THK FLM RES	R1138	0613952R25	RES,MF,100KOHM,5%,.0625W,SM,0402,200PPM/CEL,PB-FREE
R713	0613952Q25	RES,MF,10OHM,5%,.0625W,SM,0402,200PPM/CEL,PB-FREE	R812	0613952Q47	RES,MF,82OHM,5%,.0625W,SM,0402,200PPM/CEL,PB-FREE	R1104	0613952Q49	RES,MF,100OHM,5%,.0625W,SM,0402,200PPM/CEL,PB-FREE	R1139	0613952R25	RES,MF,100KOHM,5%,.0625W,SM,0402,200PPM/CEL,PB-FREE
R714	0613952Q67	RES,MF,560OHM,5%,.0625W,SM,0402,200PPM/CEL,PB-FREE	R813	0613952Q69	RES,MF,680OHM,5%,.0625W,SM,0402,200PPM/CEL,PB-FREE	R1105	0613952Q49	RES,MF,100OHM,5%,.0625W,SM,0402,200PPM/CEL,PB-FREE	R1140	0613952R25	RES,MF,100KOHM,5%,.0625W,SM,0402,200PPM/CEL,PB-FREE
R721	0613952R01	RES,MF,10KOHM,5%,.0625W,SM,0402,200PPM/CEL,PB-FREE	R815	0613952Q34	RES,MF,24OHM,5%,.0625W,SM,0402,200PPM/CEL,PB-FREE	R1106	0613952Q25	RES,MF,10OHM,5%,.0625W,SM,0402,200PPM/CEL,PB-FREE	R1141	0613952R42	RES,MF,510KOHM,5%,.0625W,SM,0402,200PPM/CEL,PB-FREE
R729	0613952R09	RES,MF,22KOHM,5%,.0625W,SM,0402,200PPM/CEL,PB-FREE	R818	0613952Q23	RES,MF,8.2OHM,5%,.0625W,SM,0402,200PPM/CEL,PB-FREE	R1107	0613952Q45	RES,MF,68OHM,5%,.0625W,SM,0402,200PPM/CEL,PB-FREE	R1142	0613952R25	RES,MF,100KOHM,5%,.0625W,SM,0402,200PPM/CEL,PB-FREE
R743	0613952R17	RES,MF,47KOHM,5%,.0625W,SM,0402,200PPM/CEL,PB-FREE	R819	0613952Q59	RES,MF,270OHM,5%,.0625W,SM,0402,200PPM/CEL,PB-FREE	R1108	0613952R23	RES,MF,82KOHM,5%,.0625W,SM,0402,200PPM/CEL,PB-FREE	R1143	0613952R25	RES,MF,100KOHM,5%,.0625W,SM,0402,200PPM/CEL,PB-FREE
R745	0613952R09	RES,MF,22KOHM,5%,.0625W,SM,0402,200PPM/CEL,PB-FREE	R822	0613952R08	RES,MF,20KOHM,5%,.0625W,SM,0402,200PPM/CEL,PB-FREE	R1110	0613952R01	RES,MF,10KOHM,5%,.0625W,SM,0402,200PPM/CEL,PB-FREE	R1144	0613952R25	RES,MF,100KOHM,5%,.0625W,SM,0402,200PPM/CEL,PB-FREE
R751	0613952Q59	RES,MF,270OHM,5%,.0625W,SM,0402,200PPM/CEL,PB-FREE	R823	0613952R19	RES,MF,56KOHM,5%,.0625W,SM,0402,200PPM/CEL,PB-FREE	R1112	NOT PLACED	-	R1145	0613952R25	RES,MF,100KOHM,5%,.0625W,SM,0402,200PPM/CEL,PB-FREE
R752	0613952Q91	RES,MF,5.6KOHM,5%,.0625W,SM,0402,200PPM/CEL,PB-FREE	R827	0613952Q92	RES,MF,6.2KOHM,5%,.0625W,SM,0402,200PPM/CEL,PB-FREE	R1114	0613952Q49	RES,MF,100OHM,5%,.0625W,SM,0402,200PPM/CEL,PB-FREE	R1146	0613952R25	RES,MF,100KOHM,5%,.0625W,SM,0402,200PPM/CEL,PB-FREE
R753	NOT PLACED	-	R832	0613952Q29	RES,MF,15OHM,5%,.0625W,SM,0402,200PPM/CEL,PB-FREE	R1115	0613952Q49	RES,MF,100OHM,5%,.0625W,SM,0402,200PPM/CEL,PB-FREE	R1151	0613952R01	RES,MF,10KOHM,5%,.0625W,SM,0402,200PPM/CEL,PB-FREE
R754	NOT PLACED	-	R833	0613952Q49	RES,MF,100OHM,5%,.0625W,SM,0402,200PPM/CEL,PB-FREE	R1116	0613952R01	RES,MF,10KOHM,5%,.0625W,SM,0402,200PPM/CEL,PB-FREE	R1152	0613952R01	RES,MF,10KOHM,5%,.0625W,SM,0402,200PPM/CEL,PB-FREE
R755	0613952R15	RES,MF,39KOHM,5%,.0625W,SM,0402,200PPM/CEL,PB-FREE	R840	0613952Q29	RES,MF,15OHM,5%,.0625W,SM,0402,200PPM/CEL,PB-FREE	R1117	0613952R22	RES,MF,75KOHM,5%,.0625W,SM,0402,200PPM/CEL,PB-FREE	R1154	0613952R01	RES,MF,10KOHM,5%,.0625W,SM,0402,200PPM/CEL,PB-FREE
R759	0613952Q69	RES,MF,680OHM,5%,.0625W,SM,0402,200PPM/CEL,PB-FREE	R848	0613952Q29	RES,MF,15OHM,5%,.0625W,SM,0402,200PPM/CEL,PB-FREE	R1121	0613952R12	RES,MF,30KOHM,5%,.0625W,SM,0402,200PPM/CEL,PB-FREE	R1160	0613952R03	RES,MF,12KOHM,5%,.0625W,SM,0402,200PPM/CEL,PB-FREE
R761	0613952Q57	RES,MF,220OHM,5%,.0625W,SM,0402,200PPM/CEL,PB-FREE	R849	0613952Q67	RES,MF,560OHM,5%,.0625W,SM,0402,200PPM/CEL,PB-FREE	R1122	0613952R22	RES,MF,75KOHM,5%,.0625W,SM,0402,200PPM/CEL,PB-FREE	R1161	0613952R01	RES,MF,10KOHM,5%,.0625W,SM,0402,200PPM/CEL,PB-FREE
R762	0613952R02	RES,MF,11KOHM,5%,.0625W,SM,0402,200PPM/CEL,PB-FREE	R901	0613952R01	RES,MF,10KOHM,5%,.0625W,SM,0402,200PPM/CEL,PB-FREE	R1124	0613952Q42	RES,MF,51OHM,5%,.0625W,SM,0402,200PPM/CEL,PB-FREE	R1162	0613952R29	RES,MF,150KOHM,5%,.0625W,SM,0402,200PPM/CEL,PB-FREE
R764	0613952Q75	RES,MF,1.2KOHM,5%,.0625W,SM,0402,200PPM/CEL,PB-FREE	R902	0613952R01	RES,MF,10KOHM,5%,.0625W,SM,0402,200PPM/CEL,PB-FREE	R1125	0613952R17	RES,MF,47KOHM,5%,.0625W,SM,0402,200PPM/CEL,PB-FREE	R1163	0613952R01	RES,MF,10KOHM,5%,.0625W,SM,0402,200PPM/CEL,PB-FREE
R767	0613952Q45	RES,MF,68OHM,5%,.0625W,SM,0402,200PPM/CEL,PB-FREE	R903	0613952R01	RES,MF,10KOHM,5%,.0625W,SM,0402,200PPM/CEL,PB-FREE	R1126	0613952R08	RES,MF,20KOHM,5%,.0625W,SM,0402,200PPM/CEL,PB-FREE	R1164	0613952R01	RES,MF,10KOHM,5%,.0625W,SM,0402,200PPM/CEL,PB-FREE
R772	0613952Q37	RES,MF,33OHM,5%,.0625W,SM,0402,200PPM/CEL,PB-FREE	R904	0613952R13	RES,MF,33KOHM,5%,.0625W,SM,0402,200PPM/CEL,PB-FREE	R1127	0613952R08	RES,MF,20KOHM,5%,.0625W,SM,0402,200PPM/CEL,PB-FREE	R1165	0613952Q56	RES,MF,200OHM,5%,.0625W,SM,0402,200PPM/CEL,PB-FREE
R773	0613952Q91	RES,MF,5.6KOHM,5%,.0625W,SM,0402,200PPM/CEL,PB-FREE	R905	0613952Q73	RES,MF,1KOHM,5%,.0625W,SM,0402,200PPM/CEL,PB-FREE	R1128	0613952R01	RES,MF,10KOHM,5%,.0625W,SM,0402,200PPM/CEL,PB-FREE	R1166	0613952Q56	RES,MF,200OHM,5%,.0625W,SM,0402,200PPM/CEL,PB-FREE
R776	0613952Q39	RES,MF,39OHM,5%,.0625W,SM,0402,200PPM/CEL,PB-FREE	R906	0613952Q61	RES,MF,330OHM,5%,.0625W,SM,0402,200PPM/CEL,PB-FREE	R1129	NOT PLACED	-	R1167	0613952R01	RES,MF,10KOHM,5%,.0625W,SM,0402,200PPM/CEL,PB-FREE
R778	0613952Q55	RES,MF,180OHM,5%,.0625W,SM,0402,200PPM/CEL,PB-FREE	R1101	0613952R25	RES,MF,100KOHM,5%,.0625W,SM,0402,200PPM/CEL,PB-FREE	R1130	NOT PLACED	-	R1168	0613952R66	RES,MF,0OHM,5%,.0625W,SM,0402,PB-FREE
R807	0613952R09	RES,MF,22KOHM,5%,.0625W,SM,0402,200PPM/CEL,PB-FREE	R1102	0613952R25	RES,MF,100KOHM,5%,.0625W,SM,0402,200PPM/CEL,PB-FREE	R1135	0613952R66	RES,MF,0OHM,5%,.0625W,SM,0402,PB-FREE	R1169	0613952P52	RES,MF,340KOHM,1%,.0625W,SM,0402,200PPM/CEL,PB-FREE
R808	0613952R23	RES,MF,82KOHM,5%,.0625W,SM,0402,200PPM/CEL,PB-FREE				R1136	0613952R01	RES,MF,10KOHM,5%,.0625W,SM,0402,200PPM/CEL,PB-FREE	R1170	0613952N88	RES,MF,80.6KOHM,1%,.0625W,SM,0402,200PPM/CEL,PB-FREE
R809	0613952Q91	RES,MF,5.6KOHM,5%,.0625W,SM,0402,200PPM/CEL,PB-FREE				R1137	0613952R01	RES,MF,10KOHM,5%,.0625W,SM,0402,200PPM/CEL,PB-FREE			

Ref. Des.	Part Number	Description	Ref. Des.	Part Number	Description	Ref. Des.	Part Number	Description	Ref. Des.	Part Number	Description
R1171	0613952R66	RES,MF,0OHM,5%,.0625W,SM,0402,PB-FREE	R1908	0613952R01	RES,MF,10KOHM,5%,.0625W,SM,0402,200PPM/CEL,PB-FREE	T504	2575851B01	XFMR,BALUN,RF XFMR BALUN	U708	5171972L01	IC,SW,SP3T RF SW
R1172	0613952Q89	RES,MF,4.7KOHM,5%,.0625W,SM,0402,200PPM/CEL,PB-FREE	R1909	0613952R01	RES,MF,10KOHM,5%,.0625W,SM,0402,200PPM/CEL,PB-FREE	T505	2575851B01	XFMR,BALUN,RF XFMR BALUN	U709	5171972L01	IC,SW,SP3T RF SW
R1174	0613952R01	RES,MF,10KOHM,5%,.0625W,SM,0402,200PPM/CEL,PB-FREE	R1910	0613952Q73	RES,MF,1KOHM,5%,.0625W,SM,0402,200PPM/CEL,PB-FREE	U101	5105443X07	IC,SERIAL EEPROM,32/64 KBIT,DFN,EEPROM 32KBIT SER SPI BUS	U710	5171972L01	IC,SW,SP3T RF SW
R1175	0613952R66	RES,MF,0OHM,5%,.0625W,SM,0402,PB-FREE	R1911	0613952Q73	RES,MF,1KOHM,5%,.0625W,SM,0402,200PPM/CEL,PB-FREE	U200	5188493T01	IC,VREG/SWG,LP2989,SM,MINI SO-8 HI PRCN REG 5V	U711	5171972L01	IC,SW,SP3T RF SW
R1176	0613952Q73	RES,MF,1KOHM,5%,.0625W,SM,0402,200PPM/CEL,PB-FREE	R1921	0613952R22	RES,MF,75KOHM,5%,.0625W,SM,0402,200PPM/CEL,PB-FREE	U201	5175771A99	IC,LNR V REGLTR,FXD,100MA,VFBGA,LOW NOISE, 100MA LINEAR REGL	U746	4805218N63	XSTR,GEN PURPOSE SMALL SIG,SOT-323,BROADBAND & XSTR BF
R1177	0613952R66	RES,MF,0OHM,5%,.0625W,SM,0402,PB-FREE	R1922	0613952R27	RES,MF,120KOHM,5%,.0625W,SM,0402,200PPM/CEL,PB-FREE	U202	5175772B02	IC,LNR V REGLTR,FXD,1.8V,100MA,VFBGA,LINEAR REGLTR 100MA 1.8	U901	5175143H01	IC,WIDE SPLY RANGE OP AMP
R1178	0613952R01	RES,MF,10KOHM,5%,.0625W,SM,0402,200PPM/CEL,PB-FREE	R1923	0613952R01	RES,MF,10KOHM,5%,.0625W,SM,0402,200PPM/CEL,PB-FREE	U203	5175772B01	IC,LNR V REGLTR,FXD,1.5V,350MA,VFBGA,LINEAR V REGLTR 350MA	U902	51012101001	IC,SM,VHF/UHF/800/900 MHZ LD MOS DRVR IC
R1179	0613952R66	RES,MF,0OHM,5%,.0625W,SM,0402,PB-FREE	R1924	0613952Q37	RES,MF,33OHM,5%,.0625W,SM,0402,200PPM/CEL,PB-FREE	U302	4885316E32	XSTR,BIP RF SML SGNL,SLCN,BFR380F,SM,SMT,6V,380W,80A,14MHZ,TR	U1101	5188032U43	IC,SENSING CIRCUIT,INA138,SM,SOT-23/5,1PER PKG,PB FREE
R1180	0613952R66	RES,MF,0OHM,5%,.0625W,SM,0402,PB-FREE	R1925	0613952Q11	RES,MF,2.7OHM,5%,.0625W,SM,0402,200PPM/CEL,PB-FREE	U501	5180428L15	SW,RF SWITCH,SPDT,SMT,6W,3V	U1102	5175772B03	RF SWITCH,RF SWITCH,10W,RECONFIGURABLE 10W SP5T/3T RF SWITC
R1181	NOT PLACED	-	R1935	0613952Q75	RES,MF,1.2KOHM,5%,.0625W,SM,0402,200PPM/CEL,PB-FREE	U502	5103535B53	IC,INVTR,DL,NC7WZ04L6X,2PER PKG,SC70	U1103	5185070Y01	IC,TEMP SENS
R1182	0613952R01	RES,MF,10KOHM,5%,.0625W,SM,0402,200PPM/CEL,PB-FREE	R1936	0613952R66	RES,MF,0OHM,5%,.0625W,SM,0402,PB-FREE	U506	5164852H82	IC,MXR,IC, MIXER/ BFR	U1104	5185941F56	IC,OP AMP,1PER PKG,RAIL-RAIL,SOIC,IC SNGL LV LP OP AMP
R1183	0613952Q73	RES,MF,1KOHM,5%,.0625W,SM,0402,200PPM/CEL,PB-FREE	SH1	2675871B01	SHLD,STL,SN PLT,SHIELD, FGU	U601	5102495J14	IC,IF,IF DIGITILIZING SUBSYSTEM IC,AD9864,QFN	U1105	5180390L83	IC,CNTRLR,SM,1PER PKG
R1184	0613952Q81	RES,MF,2.2KOHM,5%,.0625W,SM,0402,200PPM/CEL,PB-FREE	SH10	2675859B01	SHLD,STL,SN PLT,SHIELD, OUT MATCH	U602	4885316E32	XSTR,BIP RF SML SGNL, SLCN,BFR380F,SM,SMT,6V,380W,80A,14MHZ,TR	U1106	5175772B05	IC,LTC5532ES6,SOT-23,1PER PKG,PRCN RF DET
R1304	NOT PLACED	-	SH11	2675877B01	SHLD,STL,SN PLT,SHIELD, ALC	U603	5109522E84	IC,DUAL SCHMITT TRIG MICRO PAK	U1109	5114007M32	IC,OR,2PER PKG,SM,US8,PB-FREE
R1307	0613952Q73	RES,MF,1KOHM,5%,.0625W,SM,0402,200PPM/CEL,PB-FREE	SH12	2675933B01	SHLD,SHIELD, IF AMP	U604	5109522E84	IC,DUAL SCHMITT TRIG MICRO PAK	U1110	5180428L15	SW,RF SWITCH,SPDT,SMT,6W,3V
R1500	0613952R66	RES,MF,0OHM,5%,.0625W,SM,0402,PB-FREE	SH13	2675870B01	SHLD,STL,SN PLT,SHIELD, HAR FLTR	U605	5164852H16	IC,TRANSLATING,2PER PKG,LVC2T45,TRANSCEIVER W/ VOLTAGE TRANSLATI	U1111	5175771A26	IC,SW,50OHM,CMOS FET SW SPDT, 10WATTS
R1501	NOT PLACED	-	SH14	2671905H01	SHLD,CAN,STL,15.32MMLG,8.3MMW,2.35MM,SHIELD, REGLTR	U606	5164852H16	IC,TRANSLATING,2PER PKG,LVC2T45,TRANSCEIVER W/ VOLTAGE TRANSLATI	U1112	5175772B04	IC,HMC468LP3E,QFN,1 DB LSB GAAS MMIC ATTEN
R1502	0613952Q73	RES,MF,1KOHM,5%,.0625W,SM,0402,200PPM/CEL,PB-FREE	SH2	2675872B01	SHLD,STL,SN PLT,SHIELD, XTAL	U607	5186311J24	IC,BFR,1PER PKG,NC7SZ125,ACTIVE HIGH,BFR,3ST,SM,5.5	U1113	5185941F56	IC,OP AMP,1PER PKG,RAIL-RAIL,SOIC,IC SNGL LV LP OP AMP
R1503	0613952R06	RES,MF,16KOHM,5%,.0625W,SM,0402,200PPM/CEL,PB-FREE	SH3	2675873B01	SHLD,STL,SN PLT,SHIELD, ABACUS	U702	5164015H28	IC,CUST,MULTI PROTOCOL/BAND TRANSCVR IC,SM,BGA,TRIDENT, INTEG	U1114	5185941F56	IC,OP AMP,1PER PKG,RAIL-RAIL,SOIC,IC SNGL LV LP OP AMP
R1504	0613952R13	RES,MF,33KOHM,5%,.0625W,SM,0402,200PPM/CEL,PB-FREE	SH4	2675878B01	SHLD,STL,SN PLT,SHIELD, FRNT END	U703	5175772B06	IC,SERIAL INTERFACE I/O EXPANDER,QFN,24BITS,28-PORT I/O EXPA	U1116	5109522E93	GATE,OR,SN74LVC1G32YZPR,1PER PKG,SM,2 INPUT IN NANO PKG
R1505	0613952R01	RES,MF,10KOHM,5%,.0625W,SM,0402,200PPM/CEL,PB-FREE	SH5	2675879B01	SHLD,STL,SN PLT,SHIELD, DRVR PA				U1117	5103535B53	IC,INVTR,DL,NC7WZ04L6X,2PER PKG,SC70
R1506	0613952R04	RES,MF,13KOHM,5%,.0625W,SM,0402,200PPM/CEL,PB-FREE	SH6	2675876B01	SHLD,STL,SN PLT,SHIELD, VCO				U1118	5188085K11	IC,NAND,SINGLE 2 INPUT,SN74LVC1G00YZPR,SM,GATE,POS,5 DSBGA,PB-
R1906	0613952R01	RES,MF,10KOHM,5%,.0625W,SM,0402,200PPM/CEL,PB-FREE	SH7	2675874B01	SHLD,STL,SN PLT,SHIELD, MXR						
R1907	0613952R01	RES,MF,10KOHM,5%,.0625W,SM,0402,200PPM/CEL,PB-FREE	SH8	2675932B01	SHLD,SHIELD, 2ND LO VCO						
			SH9	2675934B01	SHLD,SHIELD, DC						
			T503	2575851B01	XFMR,BALUN,RF XFMR BALUN						

Ref. Des.	Part Number	Description
U1119	5186311J53	IC,AND,DUAL 2-INPUT AND GATE,NC7WZ08,2PER PKG,SM,MSOP
U1121	5114000B52	IC,XOR,LOGIC LEVEL SHIFTER,1PER PKG,SM,SOT-353,PB-FREE
U1122	5180428L15	SW,RF SWITCH,SPDT,SMT,6W,3V
U1123	5188085K11	IC,NAND,SINGLE 2 INPUT,SN74LVC1G00YZPR,SM,GATE,P OS,5 DSBGA,PB-
U1125	5175206H01	IC,DAC,W/ 5 PPM/C INT REF
U1126	5109817F77	IC,COMPTR,LMV7275,SC70-5
U1127	5171779H01	IC,ANLG SW,SC70,SC70-6,1PER PKG,SPDT ANLG SW
U1128	5188085K11	IC,NAND,SINGLE 2 INPUT,SN74LVC1G00YZPR,SM,GATE,P OS,5 DSBGA,PB-
U1129	5175143H01	IC,WIDE SPLY RANGE OP AMP
U1130	5175143H01	IC,WIDE SPLY RANGE OP AMP
U1131	5109817F77	IC,COMPTR,LMV7275,SC70-5
U1132	5114007M28	IC,F-F/D,1PER PKG,17SZ74,N-I,SM,SOIC8,PB-FREE
U1133	5171779H01	IC,ANLG SW,SC70,SC70-6,1PER PKG,SPDT ANLG SW
U1136	5109522E94	GATE,AND,1PER PKG,SM,2 INPUT IN NANO PKG
U1137	5164852H16	IC,TRANSLATING,2PER PKG,LVC2T45,TRANSCEIVER W/ VOLTAGE TRANSLATI
U1138	5164852H16	IC,TRANSLATING,2PER PKG,LVC2T45,TRANSCEIVER W/ VOLTAGE TRANSLATI
U1139	5164852H16	IC,TRANSLATING,2PER PKG,LVC2T45,TRANSCEIVER W/ VOLTAGE TRANSLATI
U1140	5171779H01	IC,ANLG SW,SC70,SC70-6,1PER PKG,SPDT ANLG SW
U1141	5185941F56	IC,OP AMP,1PER PKG,RAIL-RAIL,SOIC,IC SNGL LV LP OP AMP
U1142	5185941F56	IC,OP AMP,1PER PKG,RAIL-RAIL,SOIC,IC SNGL LV LP OP AMP
U1143	5185941F56	IC,OP AMP,1PER PKG,RAIL-RAIL,SOIC,IC SNGL LV LP OP AMP

Ref. Des.	Part Number	Description
U1144	5171779H01	IC,ANLG SW,SC70,SC70-6,1PER PKG,SPDT ANLG SW
U1145	5171779H01	IC,ANLG SW,SC70,SC70-6,1PER PKG,SPDT ANLG SW
U1146	5109522E93	GATE,OR,SN74LVC1G32YZPR,1PER PKG,SM,2 INPUT IN NANO PKG
U1147	5109522E94	GATE,AND,1PER PKG,SM,2 INPUT IN NANO PKG
U1148	5185941F56	IC,OP AMP,1PER PKG,RAIL-RAIL,SOIC,IC SNGL LV LP OP AMP
U1304	5105739X13	IC,AMP,SIGE,QFN,QFN,18DB,1.57GHZMIN,1.57GHZMAX,.9DB,SIGE GPS LO
U1500	51012101001	IC,SM,VHF/UHF/800/900 MHZ LDMOS DRVR IC
U1501	5175143H01	IC,WIDE SPLY RANGE OP AMP
U1932	4885316E32	XSTR,BIP RF SML SGNL,SLCN,BFR380F,SM,SMT,6V,380W,80A,14MHZ,TR
VR101	4813977M29	DIODE,VREF,MBZ5250,SM,SOT-23,20V,.225W,ZEN
VR200	4813977M29	DIODE,VREF,MBZ5250,SM,SOT-23,20V,.225W,ZEN
VR602	4805656W87	DIODE,VCTR, @ 15V,1SV279,SOD-523/SC-79,SOD-523/SC-79
VR1905	4815096H01	DIODE,VCTR, @ 10V,1SV305G,SM,VCTR DIODE 1SV305
VR1906	4815096H01	DIODE,VCTR, @ 10V,1SV305G,SM,VCTR DIODE 1SV305
VR1907	4815096H01	DIODE,VCTR, @ 10V,1SV305G,SM,VCTR DIODE 1SV305
VR1908	4815096H01	DIODE,VCTR, @ 10V,1SV305G,SM,VCTR DIODE 1SV305
VR1910	4815096H01	DIODE,VCTR, @ 10V,1SV305G,SM,VCTR DIODE 1SV305
VR1920	4815096H01	DIODE,VCTR, @ 10V,1SV305G,SM,VCTR DIODE 1SV305
Y701	4871886H01	OSC,TCXO,16.8MHZ,SM,16.8MHZ VCTXO .8PPM
Y704	5164852H68	OSC,VOLTAGE CONTROLLED,411MHZ MAX,270MHZ MIN,SM,M9LX7WX2.5H,I
Y705	5164852H66	OSC,VOLTAGE CONTROLLED,520MHZ MAX,380MHZ MIN,SM,M9LX7WX2.5H,I

Ref. Des.	Part Number	Description
Y706	NOT PLACED	-
Y707	5164852H67	OSC,VOLTAGE CONTROLLED,824MHZ MAX,245MHZ MIN,SM,M9LX7WX2.5H,I

MNUT4004E UHF2/VHF Transceiver (RF)
Board Parts List

Ref. Des.	Part Number	Description
C101	2113944A46	CAP,CHIP,330PF,+5%,-5%, 50V-DC,0402,C0G,-55DEG CMIN, 125DEG CMAX
C200	2113945B02	CAP,CHIP,.01UF,+10%,-10%, 25V-DC,0402,X7R,-55DEG CMIN, 125DEG CMA
C201	2188468Y01	CAP,CHIP,1UF,+10,-10,25V-DC, 0805,X7R
C202	2188468Y01	CAP,CHIP,1UF,+10,-10,25V-DC, 0805,X7R
C203	2188468Y01	CAP,CHIP,1UF,+10,-10,25V-DC, 0805,X7R
C204	2113955D35	CAP,FXD,4.7UF,+10%,-10%, 16V-DC,1206,X7R,-55DEG CMIN, 125DEG CMAX
C205	2113955D35	CAP,FXD,4.7UF,+10%,-10%, 16V-DC,1206,X7R,-55DEG CMIN, 125DEG CMAX
C206	2113945B02	CAP,CHIP,.01UF,+10%,-10%, 25V-DC,0402,X7R,-55DEG CMIN, 125DEG CMA
C207	2113956B91	CAP,FXD,1UF,+10%,-10%,16V-DC,0603,X5R,-55DEG CMIN, 85DEG CMAX,PB
C208	2113956B91	CAP,FXD,1UF,+10%,-10%,16V-DC,0603,X5R,-55DEG CMIN, 85DEG CMAX,PB
C209	2113956B91	CAP,FXD,1UF,+10%,-10%,16V-DC,0603,X5R,-55DEG CMIN, 85DEG CMAX,PB
C210	2113956B91	CAP,FXD,1UF,+10%,-10%,16V-DC,0603,X5R,-55DEG CMIN, 85DEG CMAX,PB
C212	2113946D07	CAP,CHIP,4.7UF,+10%,-10%, 6.3V-DC,0603,X5R,-55DEG CMIN,85DEG CMA
C213	2113944A46	CAP,CHIP,330PF,+5%,-5%,50V-DC,0402,C0G,-55DEG CMIN, 125DEG CMAX
C214	2113944A31	CAP,CHIP,33PF,+5%,-5%,50V-DC,0402,C0G,-55DEG CMIN, 125DEG CMAX,P
C215	2113944A46	CAP,CHIP,330PF,+5%,-5%,50V-DC,0402,C0G,-55DEG CMIN, 125DEG CMAX

Ref. Des.	Part Number	Description
C216	2113944A31	CAP,CHIP,33PF,+5%,-5%,50V-DC,0402,C0G,-55DEG CMIN, 125DEG CMAX,P
C217	2113956B91	CAP,FXD,1UF,+10%,-10%,16V-DC,0603,X5R,-55DEG CMIN, 85DEG CMAX,PB
C301	2113944A30	CAP,CHIP,27PF,+5%,-5%,50V-DC,0402,C0G,-55DEG CMIN, 125DEG CMAX,P
C302	2113944A28	CAP,CHIP,18PF,+5%,-5%,50V-DC,0402,C0G,-55DEG CMIN, 125DEG CMAX,P
C303	2113944A28	CAP,CHIP,18PF,+5%,-5%,50V-DC,0402,C0G,-55DEG CMIN, 125DEG CMAX,P
C304	2113944A81	CAP,FXD,24PF,+5%,-5%,50V-DC,0402,C0G,-55DEG CMIN, 125DEG CMAX,PB
C305	2113944A17	CAP,CHIP,4.7PF,.25PF+/-,50V-DC,0402,C0G,-55DEG CMIN, 125DEG CMA
C306	2113944A35	CAP,CHIP,62PF,+5%,-5%,50V-DC,0402,C0G,-55DEG CMIN, 125DEG CMAX,P
C307	2113944A18	CAP,CHIP,5.1PF,.5PF+/-,50V-DC, 0402,C0G,-55DEG CMIN, 125DEG CMAX
C308	2113944A30	CAP,CHIP,27PF,+5%,-5%,50V-DC,0402,C0G,-55DEG CMIN, 125DEG CMAX,P
C310	2113946D07	CAP,CHIP,4.7UF,+10%,-10%, 6.3V-DC,0603,X5R,-55DEG CMIN,85DEG CMA
C311	2113944A29	CAP,CHIP,22PF,+5%,-5%,50V-DC,0402,C0G,-55DEG CMIN, 125DEG CMAX,P
C312	2113944A46	CAP,CHIP,330PF,+5%,-5%,50V-DC,0402,C0G,-55DEG CMIN, 125DEG CMAX
C313	2113944A46	CAP,CHIP,330PF,+5%,-5%,50V-DC,0402,C0G,-55DEG CMIN, 125DEG CMAX
C314	2113946D07	CAP,CHIP,4.7UF,+10%,-10%, 6.3V-DC,0603,X5R,-55DEG CMIN,85DEG CMA
C315	2113944A46	CAP,CHIP,330PF,+5%,-5%,50V-DC,0402,C0G,-55DEG CMIN, 125DEG CMAX

Ref. Des.	Part Number	Description
C317	2175389H01	CAP,.5PF,CAP,.5PF, CHIP, 0402, CERAMIC, 50 V
C318	2113944A30	CAP,CHIP,27PF,+5%,-5%,50V-DC 0402,C0G,-55DEG CMIN, 125DEG CMAX,P
C319	2113944A28	CAP,CHIP,18PF,+5%,-5%,50V-DC,0402,C0G,-55DEG CMIN, 125DEG CMAX,P
C320	2113944A27	CAP,CHIP,15PF,+5%,-5%,50V-DC,0402,C0G,-55DEG CMIN, 125DEG CMAX,P
C321	2113944A28	CAP,CHIP,18PF,+5%,-5%,50V-DC,0402,C0G,-55DEG CMIN, 125DEG CMAX,P
C322	2113944A30	CAP,CHIP,27PF,+5%,-5%,50V-DC,0402,C0G,-55DEG CMIN, 125DEG CMAX,P
C323	2113944A30	CAP,CHIP,27PF,+5%,-5%,50V-DC,0402,C0G,-55DEG CMIN, 125DEG CMAX,P
C324	2113944A19	CAP,CHIP,5.6PF,.5PF+/-,50V-DC, 0402,C0G,-55DEG CMIN, 125DEG CMAX
C325	2113944A84	CAP,FXD,43PF,+5%,-5%,50V-DC, 0402,C0G,-55DEG CMIN, 125DEG CMAX,PB
C326	2113944A21	CAP,CHIP,6.8PF,.5PF+/-,50V-DC, 0402,C0G,-55DEG CMIN, 125DEG CMAX
C327	2113944A28	CAP,CHIP,18PF,+5%,-5%,50V-DC,0402,C0G,-55DEG CMIN, 125DEG CMAX,P
C328	2175389H01	CAP,.5PF,CAP,.5PF, CHIP, 0402, CERAMIC, 50 V
C329	2115153H35	CAP,FXD,12PF,+1%,-1%,50V-DC, 0402,C0G
C501	NOT PLACED	-
C502	2113945A09	CAP,CHIP,1000PF,+10%,-10%, 50V-DC,0402,X7R,-55DEG CMIN, 125DEG CM
C503	2115153H40	CAP,FXD,20PF,50V-DC,0402, C0G
C504	2113944A40	CAP,CHIP,100PF,+5%,-5%,50V-DC,0402,C0G,-55DEG CMIN, 125DEG CMAX
C505	2113946B04	CAP,CHIP,.1UF,+10%,-10%,10V-DC,0402,X5R,-55DEG CMIN, 85DEG CMAX

Ref. Des.	Part Number	Description
C506	2113946B04	CAP,CHIP,.1UF,+10%,-10%,10V-DC,0402,X5R,-55DEG CMIN, 85DEG CMAX
C508	2113945A09	CAP,CHIP,1000PF,+10%,-10%, 50V-DC,0402,X7R,-55DEG CMIN, 125DEG CM
C509	2113945A09	CAP,CHIP,1000PF,+10%,-10%, 50V-DC,0402,X7R,-55DEG CMIN, 125DEG CM
C510	2113944A52	CAP,CHIP,1000PF,+5%,-5%, 50V-DC,0402,C0G,-55DEG CMIN, 125DEG CMAX
C511	2113944A40	CAP,CHIP,100PF,+5%,-5%,50V-DC,0402,C0G,-55DEG CMIN, 125DEG CMAX
C512	2113944A31	CAP,CHIP,33PF,+5%,-5%,50V-DC,0402,C0G,-55DEG CMIN, 125DEG CMAX,P
C513	2113944A40	CAP,CHIP,100PF,+5%,-5%,50V-DC,0402,C0G,-55DEG CMIN, 125DEG CMAX
C514	2113944A84	CAP,FXD,43PF,+5%,-5%,50V-DC, 0402,C0G,-55DEG CMIN, 125DEG CMAX,PB
C515	2113944A21	CAP,CHIP,6.8PF,.5PF+/-,50V-DC, 0402,C0G,-55DEG CMIN, 125DEG CMAX
C516	2113944A11	CAP,CHIP,2.7PF,.25PF+/-,50V-DC,0402,C0G,-55DEG CMIN, 125DEG CMA
C517	2113946B04	CAP,CHIP,.1UF,+10%,-10%,10V-DC,0402,X5R,-55DEG CMIN, 85DEG CMAX
C518	2113945A09	CAP,CHIP,1000PF,+10%,-10%, 50V-DC,0402,X7R,-55DEG CMIN, 125DEG CM
C519	2113944A28	CAP,CHIP,18PF,+5%,-5%,50V-DC,0402,C0G,-55DEG CMIN, 125DEG CMAX,P
C520	2113945A09	CAP,CHIP,1000PF,+10%,-10%, 50V-DC,0402,X7R,-55DEG CMIN, 125DEG CM
C521	2113945A09	CAP,CHIP,1000PF,+10%,-10%, 50V-DC,0402,X7R,-55DEG CMIN, 125DEG CM
C522	2113944A27	CAP,CHIP,15PF,+5%,-5%,50V-DC,0402,C0G,-55DEG CMIN, 125DEG CMAX,P

Ref. Des.	Part Number	Description	Ref. Des.	Part Number	Description	Ref. Des.	Part Number	Description	Ref. Des.	Part Number	Description
C523	2113944A48	CAP,CHIP,470PF,+5%,-5%,50V-DC,0402,C0G,-55DEG CMIN,125DEG CMAX	C611	2113944A40	CAP,CHIP,100PF,+5%,-5%,50V-DC,0402,C0G,-55DEG CMIN,125DEG CMAX	C627	2113945A09	CAP,CHIP,1000PF,+10%,-10%,50V-DC,0402,X7R,-55DEG CMIN,125DEG CM	C643	2113944A48	CAP,CHIP,470PF,+5%,-5%,50V-DC,0402,C0G,-55DEG CMIN,125DEG CMAX
C524	2113944A30	CAP,CHIP,27PF,+5%,-5%,50V-DC,0402,C0G,-55DEG CMIN,125DEG CMAX,P	C612	2113945B02	CAP,CHIP,.01UF,+10%,-10%,25V-DC,0402,X7R,-55DEG CMIN,125DEG CMA	C628	2113945B02	CAP,CHIP,.01UF,+10%,-10%,25V-DC,0402,X7R,-55DEG CMIN,125DEG CMA	C701	2113944A44	CAP,CHIP,220PF,+5%,-5%,50V-DC,0402,C0G,-55DEG CMIN,125DEG CMAX
C525	2115153H03	CAP,CER CHIP,1PF,.1PF+/-,50V-DC,0402,C0G	C613	2113944A40	CAP,CHIP,100PF,+5%,-5%,50V-DC,0402,C0G,-55DEG CMIN,125DEG CMAX	C629	2113946B04	CAP,CHIP,.1UF,+10%,-10%,10V-DC,0402,X5R,-55DEG CMIN,85DEG CMAX	C702	2113944A44	CAP,CHIP,220PF,+5%,-5%,50V-DC,0402,C0G,-55DEG CMIN,125DEG CMAX
C526	2115153H34	CAP,FXD,11PF,50V-DC,0402,C0G	C614	2113945B02	CAP,CHIP,.01UF,+10%,-10%,25V-DC,0402,X7R,-55DEG CMIN,125DEG CMA	C630	2113946B04	CAP,CHIP,.1UF,+10%,-10%,10V-DC,0402,X5R,-55DEG CMIN,85DEG CMAX	C704	2113944A35	CAP,CHIP,62PF,+5%,-5%,50V-DC,0402,C0G,-55DEG CMIN,125DEG CMAX,P
C527	2115153H10	CAP,FXD,2PF,.1PF+/-,50V-DC,0402,C0G	C615	2113944A42	CAP,CHIP,150PF,+5%,-5%,50V-DC,0402,C0G,-55DEG CMIN,125DEG CMAX	C631	2113944A27	CAP,CHIP,15PF,+5%,-5%,50V-DC,0402,C0G,-55DEG CMIN,125DEG CMAX,P	C705	2113944A44	CAP,CHIP,220PF,+5%,-5%,50V-DC,0402,C0G,-55DEG CMIN,125DEG CMAX
C528	2113944A40	CAP,CHIP,100PF,+5%,-5%,50V-DC,0402,C0G,-55DEG CMIN,125DEG CMAX	C616	2113945A11	CAP,CHIP,2200PF,+10%,-10%,50V-DC,0402,X7R,-55DEG CMIN,125DEG CM	C632	2113944A40	CAP,CHIP,100PF,+5%,-5%,50V-DC,0402,C0G,-55DEG CMIN,125DEG CMAX	C709	2113944A44	CAP,CHIP,220PF,+5%,-5%,50V-DC,0402,C0G,-55DEG CMIN,125DEG CMAX
C529	2113944A40	CAP,CHIP,100PF,+5%,-5%,50V-DC,0402,C0G,-55DEG CMIN,125DEG CMAX	C617	2113946B04	CAP,CHIP,.1UF,+10%,-10%,10V-DC,0402,X5R,-55DEG CMIN,85DEG CMAX	C633	2113945B02	CAP,CHIP,.01UF,+10%,-10%,25V-DC,0402,X7R,-55DEG CMIN,125DEG CMA	C710	2113944A49	CAP,CHIP,560PF,+5%,-5%,50V-DC,0402,C0G,-55DEG CMIN,125DEG CMAX
C601	2113945B02	CAP,CHIP,.01UF,+10%,-10%,25V-DC,0402,X7R,-55DEG CMIN,125DEG CMA	C618	2113944A31	CAP,CHIP,33PF,+5%,-5%,50V-DC,0402,C0G,-55DEG CMIN,125DEG CMAX,P	C634	2113946B04	CAP,CHIP,.1UF,+10%,-10%,10V-DC,0402,X5R,-55DEG CMIN,85DEG CMAX	C711	2113944A34	CAP,CHIP,56PF,+5%,-5%,50V-DC,0402,C0G,-55DEG CMIN,125DEG CMAX,P
C602	2113945B02	CAP,CHIP,.01UF,+10%,-10%,25V-DC,0402,X7R,-55DEG CMIN,125DEG CMA	C619	2113944A35	CAP,CHIP,62PF,+5%,-5%,50V-DC,0402,C0G,-55DEG CMIN,125DEG CMAX,P	C635	2113945B02	CAP,CHIP,.01UF,+10%,-10%,25V-DC,0402,X7R,-55DEG CMIN,125DEG CMA	C712	NOT PLACED	-
C603	2113945B02	CAP,CHIP,.01UF,+10%,-10%,25V-DC,0402,X7R,-55DEG CMIN,125DEG CMA	C620	2113946B04	CAP,CHIP,.1UF,+10%,-10%,10V-DC,0402,X5R,-55DEG CMIN,85DEG CMAX	C636	2113946B04	CAP,CHIP,.1UF,+10%,-10%,10V-DC,0402,X5R,-55DEG CMIN,85DEG CMAX	C715	2113945C31	CAP,FXD,.1UF,+10%,-10%,50V-DC,0603,X7R,-55DEG CMIN,125DEG CMAX
C604	2113945B02	CAP,CHIP,.01UF,+10%,-10%,25V-DC,0402,X7R,-55DEG CMIN,125DEG CMA	C621	2113946B04	CAP,CHIP,.1UF,+10%,-10%,10V-DC,0402,X5R,-55DEG CMIN,85DEG CMAX	C637	2113946B04	CAP,CHIP,.1UF,+10%,-10%,10V-DC,0402,X5R,-55DEG CMIN,85DEG CMAX	C716	2113945C31	CAP,FXD,.1UF,+10%,-10%,50V-DC,0603,X7R,-55DEG CMIN,125DEG CMAX
C605	2113944A15	CAP,CHIP,3.9PF,.25PF+/-,50V-DC,0402,C0G,-55DEG CMIN,125DEG CMA	C622	2113946C07	CAP,FXD,.33UF,+10%,-10%,10V-DC,0603,X5R,-55DEG CMIN,85DEG CMAX	C638	2113945A12	CAP,CHIP,3300PF,+10%,-10%,50V-DC,0402,X7R,-55DEG CMIN,125DEG CM	C717	2113945C31	CAP,FXD,.1UF,+10%,-10%,50V-DC,0603,X7R,-55DEG CMIN,125DEG CMAX
C606	2113946B04	CAP,CHIP,.1UF,+10%,-10%,10V-DC,0402,X5R,-55DEG CMIN,85DEG CMAX	C623	2113945B02	CAP,CHIP,.01UF,+10%,-10%,25V-DC,0402,X7R,-55DEG CMIN,125DEG CMA	C639	2113945B02	CAP,CHIP,.01UF,+10%,-10%,25V-DC,0402,X7R,-55DEG CMIN,125DEG CMA	C718	2113945C31	CAP,FXD,.1UF,+10%,-10%,50V-DC,0603,X7R,-55DEG CMIN,125DEG CMAX
C607	2113944A40	CAP,CHIP,100PF,+5%,-5%,50V-DC,0402,C0G,-55DEG CMIN,125DEG CMAX	C624	2113946C07	CAP,FXD,.33UF,+10%,-10%,10V-DC,0603,X5R,-55DEG CMIN,85DEG CMAX	C640	2113946B04	CAP,CHIP,.1UF,+10%,-10%,10V-DC,0402,X5R,-55DEG CMIN,85DEG CMAX	C719	2113945C31	CAP,FXD,.1UF,+10%,-10%,50V-DC,0603,X7R,-55DEG CMIN,125DEG CMAX
C608	2113944A12	CAP,CHIP,3PF,.25PF+/-,50V-DC,0402,C0G,-55DEG CMIN,125DEG CMAX	C625	2113944A28	CAP,CHIP,18PF,+5%,-5%,50V-DC,0402,C0G,-55DEG CMIN,125DEG CMAX,P	C641	2113944A31	CAP,CHIP,33PF,+5%,-5%,50V-DC,0402,C0G,-55DEG CMIN,125DEG CMAX,P	C724	2113955D37	CAP,FXD,10UF,+10%,-10%,16V-DC,1206,X7R,-55DEG CMIN,125DEG CMAX
C609	2113944A30	CAP,CHIP,27PF,+5%,-5%,50V-DC,0402,C0G,-55DEG CMIN,125DEG CMAX,P	C626	2113945A09	CAP,CHIP,1000PF,+10%,-10%,50V-DC,0402,X7R,-55DEG CMIN,125DEG CM	C642	2113944A48	CAP,CHIP,470PF,+5%,-5%,50V-DC,0402,C0G,-55DEG CMIN,125DEG CMAX	C725	2113945C31	CAP,FXD,.1UF,+10%,-10%,50V-DC,0603,X7R,-55DEG CMIN,125DEG CMAX
C610	2113944A40	CAP,CHIP,100PF,+5%,-5%,50V-DC,0402,C0G,-55DEG CMIN,125DEG CMAX							C726	2113945C31	CAP,FXD,.1UF,+10%,-10%,50V-DC,0603,X7R,-55DEG CMIN,125DEG CMAX

Ref. Des.	Part Number	Description	Ref. Des.	Part Number	Description	Ref. Des.	Part Number	Description	Ref. Des.	Part Number	Description
C730	2113945C31	CAP,FXD,.1UF,+10%,-10%,50V-DC,0603,X7R,-55DEG CMIN,125DEG CMAX	C758	2113946B02	CAP,CHIP,.047UF,+10%,-10%,10V-DC,0402,X5R,-55DEG CMIN,85DEG CMA	C790	2113946B04	CAP,CHIP,.1UF,+10%,-10%,10V-DC,0402,X5R,-55DEG CMIN,85DEG CMAX	C810	2113944A44	CAP,CHIP,220PF,+5%,-5%,50V-DC,0402,C0G,-55DEG CMIN,125DEG CMAX
C731	2113945C31	CAP,FXD,.1UF,+10%,-10%,50V-DC,0603,X7R,-55DEG CMIN,125DEG CMAX	C759	2113945G95	CAP,FXD,.22UF,+10%,-10%,50V-DC,0805,X7R,-55DEG CMIN,125DEG CMAX	C791	2113946B04	CAP,CHIP,.1UF,+10%,-10%,10V-DC,0402,X5R,-55DEG CMIN,85DEG CMAX	C813	2113944A63	CAP,FXD,1PF,.25PF+/-,50V-DC,0402,C0G,-55DEG CMIN,125DEG CMAX,P
C732	2113944A32	CAP,CHIP,39PF,+5%,-5%,50V-DC,0402,C0G,-55DEG CMIN,125DEG CMAX,P	C760	2113944G97	CAP,FXD,.082UF,+5%,-5%,50V-DC,1206,C0G,-55DEG CMIN,125DEG CMAX	C792	2113946B04	CAP,CHIP,.1UF,+10%,-10%,10V-DC,0402,X5R,-55DEG CMIN,85DEG CMAX	C814	2113945A09	CAP,CHIP,1000PF,+10%,-10%,50V-DC,0402,X7R,-55DEG CMIN,125DEG CM
C734	2113945C31	CAP,FXD,.1UF,+10%,-10%,50V-DC,0603,X7R,-55DEG CMIN,125DEG CMAX	C762	2113945C26	CAP,FXD,.039UF,+10%,-10%,50V-DC,0603,X7R,-55DEG CMIN,125DEG CMA	C793	2113944A40	CAP,CHIP,100PF,+5%,-5%,50V-DC,0402,C0G,-55DEG CMIN,125DEG CMAX	C816	2113944A31	CAP,CHIP,33PF,+5%,-5%,50V-DC,0402,C0G,-55DEG CMIN,125DEG CMAX,P
C736	2113945B02	CAP,CHIP,.01UF,+10%,-10%,25V-DC,0402,X7R,-55DEG CMIN,125DEG CMA	C763	2113944G97	CAP,FXD,.082UF,+5%,-5%,50V-DC,1206,C0G,-55DEG CMIN,125DEG CMAX	C794	NOT PLACED	-	C820	2113944A44	CAP,CHIP,220PF,+5%,-5%,50V-DC,0402,C0G,-55DEG CMIN,125DEG CMAX
C737	2113945C31	CAP,FXD,.1UF,+10%,-10%,50V-DC,0603,X7R,-55DEG CMIN,125DEG CMAX	C765	2113944G97	CAP,FXD,.082UF,+5%,-5%,50V-DC,1206,C0G,-55DEG CMIN,125DEG CMAX	C795	2113944A40	CAP,CHIP,100PF,+5%,-5%,50V-DC,0402,C0G,-55DEG CMIN,125DEG CMAX	C830	2113944A44	CAP,CHIP,220PF,+5%,-5%,50V-DC,0402,C0G,-55DEG CMIN,125DEG CMAX
C739	2113944A17	CAP,CHIP,4.7PF,.25PF+/-,50V-DC,0402,C0G,-55DEG CMIN,125DEG CMA	C766	2113945C01	CAP,CHIP,6800PF,+10%,-10%,50V-DC,0603,X7R,-55DEG CMIN,125DEG CM	C796	2113944A40	CAP,CHIP,100PF,+5%,-5%,50V-DC,0402,C0G,-55DEG CMIN,125DEG CMAX	C831	2113944A40	CAP,CHIP,100PF,+5%,-5%,50V-DC,0402,C0G,-55DEG CMIN,125DEG CMAX
C742	2113945C31	CAP,FXD,.1UF,+10%,-10%,50V-DC,0603,X7R,-55DEG CMIN,125DEG CMAX	C768	2113944G97	CAP,FXD,.082UF,+5%,-5%,50V-DC,1206,C0G,-55DEG CMIN,125DEG CMAX	C797	2113944A40	CAP,CHIP,100PF,+5%,-5%,50V-DC,0402,C0G,-55DEG CMIN,125DEG CMAX	C836	2113944A33	CAP,CHIP,47PF,+5%,-5%,50V-DC,0402,C0G,-55DEG CMIN,125DEG CMAX,P
C744	2113955D37	CAP,FXD,10UF,+10%,-10%,16V-DC,1206,X7R,-55DEG CMIN,125DEG CMAX	C769	2113945C20	CAP,FXD,.016UF,+10%,-10%,50V-DC,0603,X7R,-55DEG CMIN,125DEG CMA	C798	2113945A09	CAP,CHIP,1000PF,+10%,-10%,50V-DC,0402,X7R,-55DEG CMIN,125DEG CM	C838	2113945A09	CAP,CHIP,1000PF,+10%,-10%,50V-DC,0402,X7R,-55DEG CMIN,125DEG CM
C747	2113944A44	CAP,CHIP,220PF,+5%,-5%,50V-DC,0402,C0G,-55DEG CMIN,125DEG CMAX	C770	2113944G97	CAP,FXD,.082UF,+5%,-5%,50V-DC,1206,C0G,-55DEG CMIN,125DEG CMAX	C799	2113944A40	CAP,CHIP,100PF,+5%,-5%,50V-DC,0402,C0G,-55DEG CMIN,125DEG CMAX	C844	2113944A33	CAP,CHIP,47PF,+5%,-5%,50V-DC,0402,C0G,-55DEG CMIN,125DEG CMAX,P
C748	2113944A44	CAP,CHIP,220PF,+5%,-5%,50V-DC,0402,C0G,-55DEG CMIN,125DEG CMAX	C771	2113944A40	CAP,CHIP,100PF,+5%,-5%,50V-DC,0402,C0G,-55DEG CMIN,125DEG CMAX	C800	2113944A29	CAP,CHIP,22PF,+5%,-5%,50V-DC,0402,C0G,-55DEG CMIN,125DEG CMAX,P	C851	2113944A44	CAP,CHIP,220PF,+5%,-5%,50V-DC,0402,C0G,-55DEG CMIN,125DEG CMAX
C749	2113945C31	CAP,FXD,.1UF,+10%,-10%,50V-DC,0603,X7R,-55DEG CMIN,125DEG CMAX	C775	2113945A09	CAP,CHIP,1000PF,+10%,-10%,50V-DC,0402,X7R,-55DEG CMIN,125DEG CM	C801	2113944A21	CAP,CHIP,6.8PF,.5PF+/-,50V-DC,0402,C0G,-55DEG CMIN,125DEG CMAX	C901	2113944M40	CAP,FXD,82PF,+2%,-2%,50V-DC,0603,C0G,-55DEG CMIN,125DEG CMAX,PB
C750	2113945C31	CAP,FXD,.1UF,+10%,-10%,50V-DC,0603,X7R,-55DEG CMIN,125DEG CMAX	C777	2113944A31	CAP,CHIP,33PF,+5%,-5%,50V-DC,0402,C0G,-55DEG CMIN,125DEG CMAX,P	C802	2113946B06	CAP,CHIP,.22UF,+10%,-10%,10V-DC,0402,X5R,-55DEG CMIN,85DEG CMAX	C902	2113944C04	CAP,CHIP,330PF,+5%,-5%,50V-DC,0603,C0G,-55DEG CMIN,125DEG CMAX
C752	2113944A43	CAP,CHIP,180PF,+5%,-5%,50V-DC,0402,C0G,-55DEG CMIN,125DEG CMAX	C779	2113944A40	CAP,CHIP,100PF,+5%,-5%,50V-DC,0402,C0G,-55DEG CMIN,125DEG CMAX	C803	2113944A29	CAP,CHIP,22PF,+5%,-5%,50V-DC,0402,C0G,-55DEG CMIN,125DEG CMAX,P	C903	2113945L49	CAP,FXD,.01UF,+5%,-5%,50V-DC,0603,X7R,-55DEG CMIN,125DEG CMAX,P
C754	NOT PLACED	-	C783	2113944C53	CAP,CHIP,1500PF,+5%,-5%,50V-DC,0603,C0G,-55DEG CMIN,125DEG CMAX	C804	2113944A40	CAP,CHIP,100PF,+5%,-5%,50V-DC,0402,C0G,-55DEG CMIN,125DEG CMAX	C904	2113944M36	CAP,FXD,56PF,+2%,-2%,50V-DC,0603,C0G,-55DEG CMIN,125DEG CMAX,PB
C756	2113955D37	CAP,FXD,10UF,+10%,-10%,16V-DC,1206,X7R,-55DEG CMIN,125DEG CMAX	C789	2113946B04	CAP,CHIP,.1UF,+10%,-10%,10V-DC,0402,X5R,-55DEG CMIN,85DEG CMAX	C805	2113944A40	CAP,CHIP,100PF,+5%,-5%,50V-DC,0402,C0G,-55DEG CMIN,125DEG CMAX	C905	2113945L49	CAP,FXD,.01UF,+5%,-5%,50V-DC,0603,X7R,-55DEG CMIN,125DEG CMAX,P
C757	2113945C31	CAP,FXD,.1UF,+10%,-10%,50V-DC,0603,X7R,-55DEG CMIN,125DEG CMAX				C806	2113946B06	CAP,CHIP,.22UF,+10%,-10%,10V-DC,0402,X5R,-55DEG CMIN,85DEG CMAX			

Ref. Des.	Part Number	Description	Ref. Des.	Part Number	Description	Ref. Des.	Part Number	Description	Ref. Des.	Part Number	Description
C906	2113944C04	CAP,CHIP,330PF,+5%,-5%,50V-DC,0603,C0G,-55DEG CMIN,125DEG CMAX	C923	2113944M15	CAP,FXD,7.5PF,.1PF+/-,50V-DC,0603,C0G,-55DEG CMIN,125DEG CMAX	C1111	2113945Y02	CAP,FXD,.1UF,+10%,-10%,16V-DC,0402,X7R,-55DEG CMIN,125DEG CMAX	C1132	NOT PLACED	-
C907	2113944C04	CAP,CHIP,330PF,+5%,-5%,50V-DC,0603,C0G,-55DEG CMIN,125DEG CMAX	C924	2113944M19	CAP,FXD,11PF,+2%,-2%,50V-DC,0603,C0G,-55DEG CMIN,125DEG CMAX,PB	C1112	2113945B01	CAP,CHIP,6800PF,+10%,-10%,25V-DC,0402,X7R,-55DEG CMIN,125DEG CM	C1134	2113945B01	CAP,CHIP,6800PF,+10%,-10%,25V-DC,0402,X7R,-55DEG CMIN,125DEG CM
C908	2113944C04	CAP,CHIP,330PF,+5%,-5%,50V-DC,0603,C0G,-55DEG CMIN,125DEG CMAX	C925	2113944C04	CAP,CHIP,330PF,+5%,-5%,50V-DC,0603,C0G,-55DEG CMIN,125DEG CMAX	C1113	2113945B02	CAP,CHIP,.01UF,+10%,-10%,25V-DC,0402,X7R,-55DEG CMIN,125DEG CMA	C1135	NOT PLACED	-
C909	2113944C04	CAP,CHIP,330PF,+5%,-5%,50V-DC,0603,C0G,-55DEG CMIN,125DEG CMAX	C927	NOT PLACED	-	C1116	2113945Y02	CAP,FXD,.1UF,+10%,-10%,16V-DC,0402,X7R,-55DEG CMIN,125DEG CMAX	C1137	2113945B04	CAP,FXD,.022UF,+10%,-10%,25V-DC,0402,X7R,-55DEG CMIN,125DEG CMA
C910	2113944C23	CAP,CHIP,5.1PF,.5PF+/-,50V-DC,0603,C0G,-55DEG CMIN,125DEG CMAX	C928	2113944M23	CAP,FXD,16PF,+2%,-2%,50V-DC,0603,C0G,-55DEG CMIN,125DEG CMAX,PB	C1117	2113945A12	CAP,CHIP,3300PF,+10%,-10%,50V-DC,0402,X7R,-55DEG CMIN,125DEG CM	C1138	2113945B04	CAP,FXD,.022UF,+10%,-10%,25V-DC,0402,X7R,-55DEG CMIN,125DEG CMA
C911	2113945L49	CAP,FXD,.01UF,+5%,-5%,50V-DC,0603,X7R,-55DEG CMIN,125DEG CMAX,P	C929	2113945A12	CAP,CHIP,3300PF,+10%,-10%,50V-DC,0402,X7R,-55DEG CMIN,125DEG CM	C1118	2113945B02	CAP,CHIP,.01UF,+10%,-10%,25V-DC,0402,X7R,-55DEG CMIN,125DEG CMA	C1139	2113944A25	CAP,CHIP,10PF,+5%,-5%,50V-DC,0402,C0G,-55DEG CMIN,125DEG CMAX,P
C912	NOT PLACED	-	C930	2113945A12	CAP,CHIP,3300PF,+10%,-10%,50V-DC,0402,X7R,-55DEG CMIN,125DEG CM	C1119	2113945B02	CAP,CHIP,.01UF,+10%,-10%,25V-DC,0402,X7R,-55DEG CMIN,125DEG CMA	C1140	2113945A13	CAP,CHIP,4700PF,+10%,-10%,50V-DC,0402,X7R,-55DEG CMIN,125DEG CM
C913	2113944M29	CAP,FXD,30PF,+2%,-2%,50V-DC,0603,C0G,-55DEG CMIN,125DEG CMAX,PB	C1101	2113945B02	CAP,CHIP,.01UF,+10%,-10%,25V-DC,0402,X7R,-55DEG CMIN,125DEG CMA	C1120	2113945B02	CAP,CHIP,.01UF,+10%,-10%,25V-DC,0402,X7R,-55DEG CMIN,125DEG CMA	C1141	2113945Y02	CAP,FXD,.1UF,+10%,-10%,16V-DC,0402,X7R,-55DEG CMIN,125DEG CMAX
C914	2113944M18	CAP,FXD,10PF,+2.5%,-2.5%,50V-DC,0603,C0G,-55DEG CMIN,125DEG CMA	C1102	2188468Y01	CAP,CHIP,1UF,+10,-10,25V-DC,0805,X7R	C1122	2175390H01	CAP,CER,2.2PF,50V-DC,C0G,CAP,2.2 PF,0402,CERAMIC,50V	C1142	2113945A09	CAP,CHIP,1000PF,+10%,-10%,50V-DC,0402,X7R,-55DEG CMIN,125DEG CM
C915	2113944C04	CAP,CHIP,330PF,+5%,-5%,50V-DC,0603,C0G,-55DEG CMIN,125DEG CMAX	C1103	2113945B02	CAP,CHIP,.01UF,+10%,-10%,25V-DC,0402,X7R,-55DEG CMIN,125DEG CMA	C1123	2113945B02	CAP,CHIP,.01UF,+10%,-10%,25V-DC,0402,X7R,-55DEG CMIN,125DEG CMA	C1149	2113944A40	CAP,CHIP,100PF,+5%,-5%,50V-DC,0402,C0G,-55DEG CMIN,125DEG CMAX
C916	2113944M40	CAP,FXD,82PF,+2%,-2%,50V-DC,0603,C0G,-55DEG CMIN,125DEG CMAX,PB	C1104	NOT PLACED	-	C1124	2113945A13	CAP,CHIP,4700PF,+10%,-10%,50V-DC,0402,X7R,-55DEG CMIN,125DEG CM	C1150	2175392H01	CAP,CER,1.2PF,50V-DC,C0G,CAP,1.2PF,0402,CERAMIC,50V
C917	NOT PLACED	-	C1105	2113944A19	CAP,CHIP,5.6PF,.5PF+/-,50V-DC,0402,C0G,-55DEG CMIN,125DEG CMAX	C1125	NOT PLACED	-	C1152	2113945A11	CAP,CHIP,2200PF,+10%,-10%,50V-DC,0402,X7R,-55DEG CMIN,125DEG CM
C918	2113944C04	CAP,CHIP,330PF,+5%,-5%,50V-DC,0603,C0G,-55DEG CMIN,125DEG CMAX	C1106	2113945B02	CAP,CHIP,.01UF,+10%,-10%,25V-DC,0402,X7R,-55DEG CMIN,125DEG CMA	C1126	2113945A09	CAP,CHIP,1000PF,+10%,-10%,50V-DC,0402,X7R,-55DEG CMIN,125DEG CM	C1203	2113944M19	CAP,FXD,11PF,+2%,-2%,50V-DC,0603,C0G,-55DEG CMIN,125DEG CMAX,PB
C919	2113944M22	CAP,FXD,15PF,+2%,-2%,50V-DC,0603,C0G,-55DEG CMIN,125DEG CMAX,PB	C1107	2113944A40	CAP,CHIP,100PF,+5%,-5%,50V-DC,0402,C0G,-55DEG CMIN,125DEG CMAX	C1127	2113945Y02	CAP,FXD,.1UF,+10%,-10%,16V-DC,0402,X7R,-55DEG CMIN,125DEG CMAX	C1204	2113944M13	CAP,FXD,6.2PF,.1PF+/-,50V-DC,0603,C0G,-55DEG CMIN,125DEG CMAX
C920	21009257002	CAP,CER,39PF,+5%,-5%,50V-DC,0805,-55DEG CMIN,125DEG CMAX,0805	C1108	2113946B02	CAP,CHIP,.047UF,+10%,-10%,10V-DC,0402,X5R,-55DEG CMIN,85DEG CMA	C1128	2113945B02	CAP,CHIP,.01UF,+10%,-10%,25V-DC,0402,X7R,-55DEG CMIN,125DEG CMA	C1207	2113944M27	CAP,FXD,24PF,+2%,-2%,50V-DC,0603,C0G,-55DEG CMIN,125DEG CMAX,PB
C921	21009257002	CAP,CER,39PF,+5%,-5%,50V-DC,0805,-55DEG CMIN,125DEG CMAX,0805	C1109	2113944A40	CAP,CHIP,100PF,+5%,-5%,50V-DC,0402,C0G,-55DEG CMIN,125DEG CMAX	C1129	2113945B02	CAP,CHIP,.01UF,+10%,-10%,25V-DC,0402,X7R,-55DEG CMIN,125DEG CMA	C1220	2113944M16	CAP,FXD,8.2PF,.1PF+/-,50V-DC,0603,C0G,-55DEG CMIN,125DEG CMAX
C922	2113944M29	CAP,FXD,30PF,+2%,-2%,50V-DC,0603,C0G,-55DEG CMIN,125DEG CMAX,PB	C1110	2113944A40	CAP,CHIP,100PF,+5%,-5%,50V-DC,0402,C0G,-55DEG CMIN,125DEG CMAX	C1130	2113945B02	CAP,CHIP,.01UF,+10%,-10%,25V-DC,0402,X7R,-55DEG CMIN,125DEG CMA	C1221	2113944M27	CAP,FXD,24PF,+2%,-2%,50V-DC,0603,C0G,-55DEG CMIN,125DEG CMAX,PB

Ref. Des.	Part Number	Description	Ref. Des.	Part Number	Description	Ref. Des.	Part Number	Description	Ref. Des.	Part Number	Description
C1222	2113944C04	CAP,CHIP,330PF,+5%,-5%,50V-DC,0603,C0G,-55DEG CMIN,125DEG CMAX	C1503	2113944C45	CAP,CHIP,100PF,+5%,-5%,50V-DC,0603,C0G,-55DEG CMIN,125DEG CMAX	C1521	2113944C45	CAP,CHIP,100PF,+5%,-5%,50V-DC,0603,C0G,-55DEG CMIN,125DEG CMAX	C1923	2113944A40	CAP,CHIP,100PF,+5%,-5%,50V-DC,0402,C0G,-55DEG CMIN,125DEG CMAX
C1226	2113944M11	CAP,FXD,5.1PF,.1PF+/-,50V-DC,0603,C0G,-55DEG CMIN,125DEG CMAX	C1504	2113945C02	CAP,CHIP,.01UF,+10%,-10%,50V-DC,0603,X7R,-55DEG CMIN,125DEG CMA	C1522	2113944A40	CAP,CHIP,100PF,+5%,-5%,50V-DC,0402,C0G,-55DEG CMIN,125DEG CMAX	C1924	2113946D07	CAP,CHIP,4.7UF,+10%,-10%,6.3V-DC,0603,X5R,-55DEG CMIN,85DEG CMA
C1227	2113944M17	CAP,FXD,9.1PF,.1PF+/-,50V-DC,0603,C0G,-55DEG CMIN,125DEG CMAX	C1505	2113944C45	CAP,CHIP,100PF,+5%,-5%,50V-DC,0603,C0G,-55DEG CMIN,125DEG CMAX	C1523	NOT PLACED	-	C1925	2113944A40	CAP,CHIP,100PF,+5%,-5%,50V-DC,0402,C0G,-55DEG CMIN,125DEG CMAX
C1301	2113944M20	CAP,FXD,12PF,+2%,-2%,50V-DC,0603,C0G,-55DEG CMIN,125DEG CMAX,PB	C1506	2113944A40	CAP,CHIP,100PF,+5%,-5%,50V-DC,0402,C0G,-55DEG CMIN,125DEG CMAX	C1525	NOT PLACED	-	C1926	2113946B04	CAP,CHIP,.1UF,+10%,-10%,10V-DC,0402,X5R,-55DEG CMIN,85DEG CMAX
C1302	2114036F74	CAP,FXD,1.8PF,.05PF+/-,25V-DC,0402,C0G,-55DEG CMIN,125DEG CMAX	C1507	2113944A40	CAP,CHIP,100PF,+5%,-5%,50V-DC,0402,C0G,-55DEG CMIN,125DEG CMAX	C1526	2113945Y02	CAP,FXD,.1UF,+10%,-10%,16V-DC,0402,X7R,-55DEG CMIN,125DEG CMAX	C1928	2115153H28	CAP,CER CHIP,4PF,.1PF+/-,+1%,-1%,-1%,50V-DC,0402,C0G
C1303	2113944A26	CAP,CHIP,12PF,+5%,-5%,50V-DC,0402,C0G,-55DEG CMIN,125DEG CMAX,P	C1508	2113944C12	CAP,CHIP,1.8PF,.25PF+/-,50V-DC,0603,C0G,-55DEG CMIN,125DEG CMA	C1527	21007088006	CAP,CER CHIP,10PF,+5%,-5%,100V-DC,C0G,-55DEG CMIN,125DEG CMAX	C1929	2115153H30	CAP,FXD,6PF,.1PF+/-,+1%,-1%,50V-DC,0402,C0G
C1304	2113945A09	CAP,CHIP,1000PF,+10%,-10%,50V-DC,0402,X7R,-55DEG CMIN,125DEG CM	C1509	2113944C41	CAP,CHIP,68PF,+5%,-5%,50V-DC,0603,C0G,-55DEG CMIN,125DEG CMAX,P	C1598	2113945A12	CAP,CHIP,3300PF,+10%,-10%,50V-DC,0402,X7R,-55DEG CMIN,125DEG CM	C1931	2171051Y05	CAP,CER CHIP,180PF,+1%,-1%,50V-DC,0402,COG,-55DEG CMIN,125DEG C
C1305	2113944A30	CAP,CHIP,27PF,+5%,-5%,50V-DC,0402,C0G,-55DEG CMIN,125DEG CMAX,P	C1510	2113944M26	CAP,FXD,22PF,+2%,-2%,50V-DC,0603,C0G,-55DEG CMIN,125DEG CMAX,PB	C1599	2113945A12	CAP,CHIP,3300PF,+10%,-10%,50V-DC,0402,X7R,-55DEG CMIN,125DEG CM	C1935	2115153H12	CAP,FXD,2.4PF,.1PF+/-,+4.2%,-4.2%,50V-DC,0402,C0G
C1306	2113945B02	CAP,CHIP,.01UF,+10%,-10%,25V-DC,0402,X7R,-55DEG CMIN,125DEG CMA	C1511	2113944M30	CAP,FXD,33PF,+2%,-2%,50V-DC,0603,C0G,-55DEG CMIN,125DEG CMAX,PB	C1700	2113944M06	CAP,FXD,3.3PF,.1PF+/-,50V-DC,0603,C0G,-55DEG CMIN,125DEG CMAX	C1936	2115153H31	CAP,FXD,7PF,.1PF+/-,50V-DC,0402,C0G,-55DEG CMIN,25DEG CMAX
C1307	2113944A26	CAP,CHIP,12PF,+5%,-5%,50V-DC,0402,C0G,-55DEG CMIN,125DEG CMAX,P	C1512	NOT PLACED	-	C1701	2113944M14	CAP,FXD,6.8PF,.1PF+/-,50V-DC,0603,C0G,-55DEG CMIN,125DEG CMAX	C1938	2115153H07	CAP,FXD,1.5PF,.1PF+/-,50V-DC,0402,C0G
C1308	2113944A28	CAP,CHIP,18PF,+5%,-5%,50V-DC,0402,C0G,-55DEG CMIN,125DEG CMAX,P	C1513	2113944C45	CAP,CHIP,100PF,+5%,-5%,50V-DC,0603,C0G,-55DEG CMIN,125DEG CMAX	C1702	2113944M15	CAP,FXD,7.5PF,.1PF+/-,50V-DC,0603,C0G,-55DEG CMIN,125DEG CMAX	C1939	2115153H12	CAP,FXD,2.4PF,.1PF+/-,+4.2%,-4.2%,50V-DC,0402,C0G
C1309	2175389H01	CAP,.5PF,CAP,.5PF,CHIP,0402,CERAMIC,50V	C1514	2113945C02	CAP,CHIP,.01UF,+10%,-10%,50V-DC,0603,X7R,-55DEG CMIN,125DEG CMA	C1703	2113944M06	CAP,FXD,3.3PF,.1PF+/-,50V-DC,0603,C0G,-55DEG CMIN,125DEG CMAX	C1940	2113944A40	CAP,CHIP,100PF,+5%,-5%,50V-DC,0402,C0G,-55DEG CMIN,125DEG CMAX
C1310	2113944A17	CAP,CHIP,4.7PF,.25PF+/-,50V-DC,0402,C0G,-55DEG CMIN,125DEG CMA	C1515	NOT PLACED	-	C1704	2113944M02	CAP,FXD,2.2PF,.1PF+/-,50V-DC,0603,C0G,-55DEG CMIN,125DEG CMAX	C1941	2113946B04	CAP,CHIP,.1UF,+10%,-10%,10V-DC,0402,X5R,-55DEG CMIN,85DEG CMAX
C1500	2113944C45	CAP,CHIP,100PF,+5%,-5%,50V-DC,0603,C0G,-55DEG CMIN,125DEG CMAX	C1516	21007088001	CAP,CER CHIP,33PF,+5%,-5%,50V-DC,C0G,-55DEG CMIN,125DEG CMAX,0	C1705	2113944C67	CAP,FXD,1.5PF,.1PF+/-,50V-DC,0603,C0G,-55DEG CMIN,125DEG CMAX	C1942	2115153H38	CAP,FXD,16PF,+1%,-1%,50V-DC,0402,C0G
C1501	2113945C02	CAP,CHIP,.01UF,+10%,-10%,50V-DC,0603,X7R,-55DEG CMIN,125DEG CMA	C1517	21007088008	CAP,CER CHIP,18PF,+5%,-5%,100V-DC,0805,COG,-55DEG CMIN,125DEG C	C1706	NOT PLACED	-	C1952	2115153H30	CAP,FXD,6PF,.1PF+/-,+1%,-1%,50V-DC,0402,C0G
C1502	2113944C45	CAP,CHIP,100PF,+5%,-5%,50V-DC,0603,C0G,-55DEG CMIN,125DEG CMAX	C1518	21007088007	CAP,CER CHIP,7.5PF,.5PF+/-,100V-DC,C0G,-55DEG CMIN,125DEG CMA	C1707	2113944C45	CAP,CHIP,100PF,+5%,-5%,50V-DC,0603,C0G,-55DEG CMIN,125DEG CMAX	C1953	2115153H28	CAP,CER CHIP,4PF,.1PF+/-,+1%,-1%,50V-DC,0402,C0G
			C1519	NOT PLACED	-	C1920	2113946D07	CAP,CHIP,4.7UF,+10%,-10%,6.3V-DC,0603,X5R,-55DEG CMIN,85DEG CMA	C1953	2115153H28	CAP,CER CHIP,4PF,.1PF+/-,+1%,-1%,50V-DC,0402,C0G
			C1520	21007088005	CAP,CER CHIP,8.2PF,.5PF+/-,100V-DC,C0G,-55DEG CMIN,125DEG CMA	C1922	2113944A40	CAP,CHIP,100PF,+5%,-5%,50V-DC,0402,C0G,-55DEG CMIN,125DEG CMAX	C1954	2113944A40	CAP,CHIP,100PF,+5%,-5%,50V-DC,0402,C0G,-55DEG CMIN,125DEG CMAX
									C1955	2113946B04	CAP,CHIP,.1UF,+10%,-10%,10V-DC,0402,X5R,-55DEG CMIN,85DEG CMAX

Ref. Des.	Part Number	Description	Ref. Des.	Part Number	Description	Ref. Des.	Part Number	Description	Ref. Des.	Part Number	Description
L1102	2415429H10	IDCTR,WW,6.8NH,5%,700MA, .11OHM,CER,SM,0603,CHIP	L1700	2471902Y05	IDCTR,AW,12.1NH,5%,4.4A, .007OHM,4.3GHZ SRF,SM, PB-FREE	M1	3275623B02	GSKT,CUST,PAD, THRM ELEC	Q501	4813973M75	XSTR,BIP GP SS,PNP, BC858, SOT-563,SMT,-30V, .357W, -100MA,100MHZ
L1103	2475393H01	IDCTR,COIL,4.7NH,2%,750MA, .07OHM,SM,INDUCTOR, 4.7NH, 040	L1701	2471902Y05	IDCTR,AW,12.1NH,5%,4.4A, .007OHM,4.3GHZ SRF,SM, PB-FREE	M2	75009299001	PAD,THRM INTFC - CNDT,PAD, THRM	Q503	4885316E32	XSTR,BIP RF SML SGNL, SLCN, BFR380F,SM,SMT,6V,380W, 80A, 14MHZ,TR
L1104	0613952R66	RES,MF,0OHM,5%,.0625W,SM, 0402,PB-FREE	L1702	2471902Y05	IDCTR,AW,12.1NH,5%,4.4A, .007OHM,4.3GHZ SRF,SM, PB-FREE	M3	1104959T01	COATING-CONTACT	Q503	4885316E32	XSTR,BIP RF SML SGNL, SLCN, BFR380F,SM,SMT,6V,380W, 80A, 14MHZ,TR
L1108	2409348J04	IDCTR,5%,SM,AIR CORE 2214	L1908	2478057A06	IDCTR,WW,4.3NH,2%,.08OHM, CER,30 Q,7.5GHZ SRF,PCMT, 4.3 NH S	M101	2871616H01	CONN,N/A,GLD,CONNECTOR, BPLUS	Q601	4813973A04	XSTR,BIP GP SS,NPN,TA13, SM, SOT-23,SMT,30V,.225W, 300MA, 125MHZ,P
L1114	2475394H01	IDCTR,COIL,11NH,2%,.14OHM, SM,INDUCTOR, 11NH, 0402, +/-2	L1909	2478057A23	IDCTR,WW,18NH,2%,.066OHM, CER,41 Q,3.3GHZ SRF,PCMT, 18 NH SU	M103	3987977Y04	CONT,CONN,1CONT,ANT UNIV 4.5MM,UC 1.8	Q601	4813973A04	XSTR,BIP GP SS,NPN,TA13, SM, SOT-23,SMT,30V,.225W, 300MA, 125MHZ,P
L1203	2460591D81	IDCTR,AW,43NH,HI Q REELED SUR MT AIR WOUND	L1910	2478057A23	IDCTR,WW,18NH,2%,.066OHM, CER,41 Q,3.3GHZ SRF,PCMT, 18 NH SU	M104	NOT PLACED	-	Q703	4813973M75	XSTR,BIP GP SS,PNP,BC858, SOT-563,SMT,-30V,.357W, -100MA,100MHZ
L1209	2460591D81	IDCTR,AW,43NH,HI Q REELED SUR MT AIR WOUND	L1912	2478057A05	IDCTR,WW,3.9NH,2%,.039OHM, CER,35 Q,7.5GHZ SRF,PCMT, 3.9 NH	M105	3987977Y04	CONT,CONN,1CONT,ANT UNIV 4.5MM,UC 1.8	Q703	4813973M75	XSTR,BIP GP SS,PNP,BC858, SOT-563,SMT,-30V,.357W, -100MA,100MHZ
L1211	2460591D81	IDCTR,AW,43NH,HI Q REELED SUR MT AIR WOUND	L1913	2478057A23	IDCTR,WW,18NH,2%,.066OHM, CER,41 Q,3.3GHZ SRF,PCMT, 18 NH SU	M106	NOT PLACED	-	Q712	4813973M75	XSTR,BIP GP SS,PNP,BC858, SOT-563,SMT,-30V,.357W, -100MA,100MHZ
L1301	2488090Y07	IDCTR,CHIP,3.3NH,5%,300MA,C ER,SM,0402,MULAY PB FREE	L1914	2478057A23	IDCTR,WW,18NH,2%,.066OHM, CER,41 Q,3.3GHZ SRF,PCMT, 18 NH SU	P101	2887818K05	RECTANGULAR CONNECTOR, STKNG,MIX,40CONT,VERT,SMD	Q712	4813973M75	XSTR,BIP GP SS,PNP,BC858, SOT-563,SMT,-30V,.357W, -100MA,100MHZ
L1302	2488090Y25	IDCTR,CHIP,100NH,5%,90MA, CER,SM,0402,MULAY PB FREE	L1915	2478057A35	IDCTR,WW,47NH,2%,680MA, .24OHM,CER,5GHZ SRF,SM, 0306 HI Q CH	PASTE	1085674C03	PROD CONSUM,SLDR,T MELT = 217C	Q713	4805585Q32	XSTR,BIP RF SML SGNL,NPN, NE662M04, SM,SOT-343,3.3V, TRANSITO
L1303	2414017P25	IDCTR,CHIP,100NH,5%,100MA, 5.5OHM,CER,8 Q,650MHZ SRF, SM,0402	L1916	2414017P14	IDCTR,CHIP,12NH,5%,300MA, .6OHM,CER,9 Q,2GHZ SRF,SM, 0402,PB-F	PCB	84012125001	PCB,XCVR,10 LAYER,BOARD, PC, PORT VHF & UHF2	Q713	4805585Q32	XSTR,BIP RF SML SGNL,NPN, NE662M04,SM,SOT-343,3.3V, TRANSITO
L1305	2475391H01	IDCTR,WW,18UH,2%,.27OHM, INDUCTOR, 18 NH, CHIP, 0402, 2	L1917	2478057A36	IDCTR,WW,51NH,2%,660MA, .28OHM,CER,5GHZ SRF,SM, 0306 HI Q CH	Q201	4813970A59	XSTR,FET GP PWR,P-CH, ENHN,SM,SOT-23,20V,.4W,PB- FREE	Q714	4889394V04	XSTR,FET GP SS,MOSFET, N-CH,ENHN,SM,20V,.25W, PB-FREE TWO FETS
L1306	2488090Y10	IDCTR,CHIP,5.6NH,5%,300MA, CER,SM,0402,MULAY PB FREE	L1919	2414017P14	IDCTR,CHIP,12NH,5%,300MA, .6OHM,CER,9 Q,2GHZ SRF,SM, 0402,PB-F	Q201	4805656W87	DIODE,VCTR, @ 15V,1SV279, SOD-523/SC-79,SOD-523/SC-79	Q714	4889394V04	XSTR,FET GP SS,MOSFET, N-CH,ENHN,SM,20V,.25W,PB- FREE TWO FETS
L1500	2414015A07	IDCTR,FXD,180NH,2%,750MA, .77OHM,CER,25 Q,700MHZ SRF,SM,1008	L1934	2478057A38	IDCTR,WW,72NH,2%,550MA, .42OHM,CER,1.9GHZ SRF,SM, 0306 HI Q	Q201	4813970A59	XSTR,FET GP PWR,P-CH, ENHN,SM,SOT-23,20V,.4W,PB- FREE	Q774	4885061Y01	XSTR,BIP RF SML SGNL,NPN, SM,12GHZ
L1501	2415429H18	IDCTR,WW,15NH,5%,700MA, .17OHM,CER,SM,0603,CHIP	L1935	2478057A26	IDCTR,WW,24NH,2%,.074OHM, CER,42 Q,2.95GHZ SRF,PCMT, 24 NH S	Q202	4813973A32	XSTR,BIP GP SS,NPN,SM,SC-70, SMT,50V,.202W,100MA,PB-FREE	Q774	4885061Y01	XSTR,BIP RF SML SGNL,NPN, SM,12GHZ
L1502	2415429H03	IDCTR,WW,3.3NH,5%,700MA, CER,SM,0603,CHIP	L1936	2415429H01	IDCTR,WW,1.6NH,5%,700MA, .03OHM,CER,SM,0603,CHIP	Q202	4813973A32	XSTR,BIP GP SS,NPN,SM,SC-70, SMT,50V,.202W,100MA,PB-FREE	Q842	4805585Q32	XSTR,BIP RF SML SGNL,NPN, NE662M04,SM,SOT-343,3.3V, TRANSITO
L1503	2415429H17	IDCTR,WW,12NH,5%,700MA, .13OHM,CER,SM,0603,CHIP	L1938	NOT PLACED	-	Q301	4813973A32	XSTR,BIP GP SS,NPN,SM,SC-70, SMT,50V,.202W,100MA,PB-FREE	Q842	4805585Q32	XSTR,BIP RF SML SGNL,NPN, NE662M04,SM,SOT-343,3.3V, TRANSITO
L1504	2415429H02	IDCTR,WW,1.8NH,5%,700MA, .045OHM,CER,SM,0603,CHIP				Q301	4813973A32	XSTR,BIP GP SS,NPN,SM, SC-70,SMT,50V,.202W, 00MA, PB-FREE			
L1505	2460591E24	IDCTR,AW,23.75NH,COIL 23.75				Q302	4813973M75	XSTR,BIP GP SS,PNP,BC858, SOT-563,SMT,-30V,.357W, -100MA,100MHZ			
L1507	2415385H01	IDCTR,AW,8NH,2%,4A,.0026OH M,AIR,3 TURNS,RH,140 Q, 5GHZ SRF,SM,8				Q302	4813973M75	XSTR,BIP GP SS,PNP,BC858, SOT-563,SMT,-30V,.357W, -100MA,100MHZ			
L1510	2415429H37	IDCTR,WW,110NH,5%,300MA, .61OHM,CER,SM,0603,CHIP				Q501	4813973M75	XSTR,BIP GP SS,PNP,BC858, SOT-563,SMT,-30V,.357W, -100MA,100MHZ			

Ref. Des.	Part Number	Description	Ref. Des.	Part Number	Description	Ref. Des.	Part Number	Description	Ref. Des.	Part Number	Description
Q901	5185633C90	AMP MDL,MODULE,RING, XSTR, FET RF POWER, VHF	R501	NOT PLACED	-	R613	0613952Q82	RES,MF,2.4KOHM,5%,.0625W, SM,0402,200PPM/CEL,PB-FREE	R721	0613952R01	RES,MF,10KOHM,5%,.0625W,SM ,0402,200PPM/CEL,PB-FREE
Q1101	4813973A32	XSTR,BIP GP SS,NPN,SM, SC-70,SMT,50V,.202W,100MA, PB-FREE	R502	0613952Q45	RES,MF,68OHM,5%,.0625W,SM, 0402,200PPM/CEL,PB-FREE	R614	0613952R66	RES,MF,0OHM,5%,.0625W,SM, 0402,PB-FREE	R729	0613952R09	RES,MF,22KOHM,5%,.0625W,SM ,0402,200PPM/CEL,PB-FREE
Q1102	4813973A32	XSTR,BIP GP SS,NPN,SM, SC-70,SMT,50V,.202W,100MA, PB-FREE	R503	0613952R10	RES,MF,24KOHM,5%,.0625W,SM ,0402,200PPM/CEL,PB-FREE	R615	NOT PLACED	-	R743	0613952R17	RES,MF,47KOHM,5%,.0625W,SM ,0402,200PPM/CEL,PB-FREE
Q1103	4813970A59	XSTR,FET GP PWR,P-CH, ENHN,SM,SOT-23,20V,.4W,PB-FREE	R504	0613952Q85	RES,MF,3.3KOHM,5%,.0625W, SM,0402,200PPM/CEL,PB-FREE	R616	NOT PLACED	-	R745	0613952R09	RES,MF,22KOHM,5%,.0625W,SM ,0402,200PPM/CEL,PB-FREE
Q1104	4813970A59	XSTR,FET GP PWR,P-CH, ENHN,SM,SOT-23,20V,.4W,PB-FREE	R505	0613952R31	RES,MF,180KOHM,5%,.0625W, SM,0402,200PPM/CEL,PB-FREE	R617	NOT PLACED	-	R751	0613952Q59	RES,MF,270OHM,5%,.0625W,SM, 0402,200PPM/CEL,PB-FREE
Q1105	NOT PLACED	-	R506	0613952Q53	RES,MF,150OHM,5%,.0625W,SM, 0402,200PPM/CEL,PB-FREE	R618	NOT PLACED	-	R752	0613952Q91	RES,MF,5.6KOHM,5%,.0625W, SM,0402,200PPM/CEL,PB-FREE
Q1500	5185633C92	AMP MDL,MODULE,RING, XSTR, FET RF POWER, UHF	R507	0613952Q83	RES,MF,2.7KOHM,5%,.0625W, SM,0402,200PPM/CEL,PB-FREE	R619	NOT PLACED	-	R753	NOT PLACED	-
Q1920	4813973A32	XSTR,BIP GP SS,NPN,SM, SC-70,SMT,50V,.202W,100MA, PB-FREE	R508	0613952Q41	RES,MF,47OHM,5%,.0625W,SM, 0402,200PPM/CEL,PB-FREE	R620	NOT PLACED	-	R754	NOT PLACED	-
Q1922	4813973M75	XSTR,BIP GP SS,PNP,BC858, SOT-563,SMT,-30V,.357W, -100MA,100MHZ	R509	0613952Q25	RES,MF,10OHM,5%,.0625W,SM, 0402,200PPM/CEL,PB-FREE	R621	NOT PLACED	-	R755	0613952R15	RES,MF,39KOHM,5%,.0625W,SM ,0402,200PPM/CEL,PB-FREE
R101	0613952R01	RES,MF,10KOHM,5%,.0625W, SM,0402,200PPM/CEL,PB-FREE	R511	0613952Q13	RES,MF,3.3OHM,5%,.0625W,SM, 0402,200PPM/CEL,PB-FREE	R623	NOT PLACED	-	R759	0613952Q69	RES,MF,680OHM,5%,.0625W,SM, 0402,200PPM/CEL,PB-FREE
R103	0613952R01	RES,MF,10KOHM,5%,.0625W,SM ,0402,200PPM/CEL,PB-FREE	R512	NOT PLACED	-	R624	NOT PLACED	-	R761	0613952Q57	RES,MF,220OHM,5%,.0625W,SM, 0402,200PPM/CEL,PB-FREE
R201	0613952R25	RES,MF,100KOHM,5%,.0625W, SM,0402,200PPM/CEL,PB-FREE	R597	0613952R66	RES,MF,0OHM,5%,.0625W,SM, 0402,PB-FREE	R698	0613952R66	RES,MF,0OHM,5%,.0625W,SM, 0402,PB-FREE	R762	0613952R02	RES,MF,11KOHM,5%,.0625W,SM ,0402,200PPM/CEL,PB-FREE
R202	0613952Q89	RES,MF,4.7KOHM,5%,.0625W, SM,0402,200PPM/CEL,PB-FREE	R601	0613952Q41	RES,MF,47OHM,5%,.0625W,SM, 0402,200PPM/CEL,PB-FREE	R699	0613952Q15	CER CHIP RES 3.9 OHM 5 0402	R764	0613952Q75	RES,MF,1.2KOHM,5%,.0625W, SM,0402,200PPM/CEL,PB-FREE
R301	0613952R22	RES,MF,75KOHM,5%,.0625W,SM ,0402,200PPM/CEL,PB-FREE	R602	0613952Q63	RES,MF,390OHM,5%,.0625W,SM, 0402,200PPM/CEL,PB-FREE	R701	0613952Q49	RES,MF,100OHM,5%,.0625W,SM, 0402,200PPM/CEL,PB-FREE	R767	0613952Q45	RES,MF,68OHM,5%,.0625W,SM, 0402,200PPM/CEL,PB-FREE
R302	0613952R27	RES,MF,120KOHM,5%,.0625W, SM,0402,200PPM/CEL,PB-FREE	R603	0613952R25	RES,MF,100KOHM,5%,.0625W, SM,0402,200PPM/CEL,PB-FREE	R702	0613952R66	RES,MF,0OHM,5%,.0625W,SM, 0402,PB-FREE	R772	0613952Q37	RES,MF,33OHM,5%,.0625W,SM, 0402,200PPM/CEL,PB-FREE
R303	0613952R01	RES,MF,10KOHM,5%,.0625W,SM ,0402,200PPM/CEL,PB-FREE	R604	0613952Q63	RES,MF,390OHM,5%,.0625W,SM, 0402,200PPM/CEL,PB-FREE	R703	0613952Q42	RES,MF,51OHM,5%,.0625W,SM, 0402,200PPM/CEL,PB-FREE	R773	0613952Q91	RES,MF,5.6KOHM,5%,.0625W, SM,0402,200PPM/CEL,PB-FREE
R304	0613952Q37	RES,MF,33OHM,5%,.0625W,SM, 0402,200PPM/CEL,PB-FREE	R605	0613952R01	RES,MF,10KOHM,5%,.0625W,SM ,0402,200PPM/CEL,PB-FREE	R704	0613952Q42	RES,MF,51OHM,5%,.0625W,SM, 0402,200PPM/CEL,PB-FREE	R776	0613952Q39	RES,MF,39OHM,5%,.0625W,SM, 0402,200PPM/CEL,PB-FREE
R305	0613952Q89	RES,MF,4.7KOHM,5%,.0625W,S M,0402,200PPM/CEL,PB-FREE	R606	0613952R01	RES,MF,10KOHM,5%,.0625W,SM ,0402,200PPM/CEL,PB-FREE	R705	0613952Q25	RES,MF,10OHM,5%,.0625W,SM, 0402,200PPM/CEL,PB-FREE	R778	0613952Q55	RES,MF,180OHM,5%,.0625W,SM, 0402,200PPM/CEL,PB-FREE
R306	0613952Q25	RES,MF,10OHM,5%,.0625W,SM, 0402,200PPM/CEL,PB-FREE	R607	0613952R25	RES,MF,100KOHM,5%,.0625W, SM,0402,200PPM/CEL,PB-FREE	R706	0613952R66	RES,MF,0OHM,5%,.0625W,SM, 0402,PB-FREE	R807	0613952R09	RES,MF,22KOHM,5%,.0625W,SM ,0402,200PPM/CEL,PB-FREE
R308	0613952Q25	RES,MF,10OHM,5%,.0625W,SM, 0402,200PPM/CEL,PB-FREE	R608	0613952R01	RES,MF,10KOHM,5%,.0625W,SM ,0402,200PPM/CEL,PB-FREE	R707	0613952R66	RES,MF,0OHM,5%,.0625W,SM, 0402,PB-FREE	R808	0613952R23	RES,MF,82KOHM,5%,.0625W,SM ,0402,200PPM/CEL,PB-FREE
R309	0613952Q25	RES,MF,10OHM,5%,.0625W,SM, 0402,200PPM/CEL,PB-FREE	R609	0613952Q81	RES,MF,2.2KOHM,5%,.0625W, SM,0402,200PPM/CEL,PB-FREE	R708	0613952Q49	RES,MF,100OHM,5%,.0625W,SM, 0402,200PPM/CEL,PB-FREE	R809	0613952Q91	RES,MF,5.6KOHM,5%,.0625W, SM,0402,200PPM/CEL,PB-FREE
			R610	0613952R25	RES,MF,100KOHM,5%,.0625W ,SM,0402,200PPM/CEL,PB-FREE	R709	0613952Q45	RES,MF,68OHM,5%,.0625W,SM, 0402,200PPM/CEL,PB-FREE	R811	0613952Q39	RES,MF,39OHM,5%,.0625W,SM, 0402,200PPM/CEL,PB-FREE
			R611	0613952R01	RES,MF,10KOHM,5%,.0625W,SM ,0402,200PPM/CEL,PB-FREE	R710	0613952Q56	RES,MF,200OHM,5%,.0625W,SM, 0402,200PPM/CEL,PB-FREE	R812	0613952Q47	RES,MF,82OHM,5%,.0625W,SM, 0402,200PPM/CEL,PB-FREE
			R612	0613952Q94	RES,MF,7.5KOHM,5%,.0625W,S M,0402,200PPM/CEL,PB-FREE	R711	0613952Q45	RES,MF,68OHM,5%,.0625W,SM, 0402,200PPM/CEL,PB-FREE	R813	0613952Q69	RES,MF,680OHM,5%,.0625W,SM, 0402,200PPM/CEL,PB-FREE
						R712	0613952Q67	RES,MF,560OHM,5%,.0625W,SM, 0402,200PPM/CEL,PB-FREE			
						R713	0613952Q25	RES,MF,10OHM,5%,.0625W,SM, 0402,200PPM/CEL,PB-FREE			
						R714	0613952Q67	RES,MF,560OHM,5%,.0625W,SM, 0402,200PPM/CEL,PB-FREE			

Ref. Des.	Part Number	Description	Ref. Des.	Part Number	Description	Ref. Des.	Part Number	Description	Ref. Des.	Part Number	Description
R815	0613952Q34	RES,MF,24OHM,5%,.0625W,SM,0402,200PPM/CEL,PB-FREE	R1106	0613952Q25	RES,MF,10OHM,5%,.0625W,SM,0402,200PPM/CEL,PB-FREE	R1141	0613952R42	RES,MF,510KOHM,5%,.0625W,SM,0402,200PPM/CEL,PB-FREE	R1175	0613952R66	RES,MF,0OHM,5%,.0625W,SM,0402,PB-FREE
R818	0613952Q23	RES,MF,8.2OHM,5%,.0625W,SM,0402,200PPM/CEL,PB-FREE	R1107	0613952Q45	RES,MF,68OHM,5%,.0625W,SM,0402,200PPM/CEL,PB-FREE	R1142	0613952R25	RES,MF,100KOHM,5%,.0625W,SM,0402,200PPM/CEL,PB-FREE	R1176	0613952Q73	RES,MF,1KOHM,5%,.0625W,SM,0402,200PPM/CEL,PB-FREE
R819	0613952Q59	RES,MF,270OHM,5%,.0625W,SM,0402,200PPM/CEL,PB-FREE	R1108	0613952R23	RES,MF,82KOHM,5%,.0625W,SM,0402,200PPM/CEL,PB-FREE	R1143	0613952R25	RES,MF,100KOHM,5%,.0625W,SM,0402,200PPM/CEL,PB-FREE	R1177	0613952R66	RES,MF,0OHM,5%,.0625W,SM,0402,PB-FREE
R822	0613952R08	RES,MF,20KOHM,5%,.0625W,SM,0402,200PPM/CEL,PB-FREE	R1110	0613952R01	RES,MF,10KOHM,5%,.0625W,SM,0402,200PPM/CEL,PB-FREE	R1144	0613952R25	RES,MF,100KOHM,5%,.0625W,SM,0402,200PPM/CEL,PB-FREE	R1178	0613952R01	RES,MF,10KOHM,5%,.0625W,SM,0402,200PPM/CEL,PB-FREE
R823	0613952R19	RES,MF,56KOHM,5%,.0625W,SM,0402,200PPM/CEL,PB-FREE	R1112	NOT PLACED	-	R1145	0613952R25	RES,MF,100KOHM,5%,.0625W,SM,0402,200PPM/CEL,PB-FREE	R1179	0613952R66	RES,MF,0OHM,5%,.0625W,SM,0402,PB-FREE
R827	0613952Q92	RES,MF,6.2KOHM,5%,.0625W,SM,0402,200PPM/CEL,PB-FREE	R1114	0613952Q49	RES,MF,100OHM,5%,.0625W,SM,0402,200PPM/CEL,PB-FREE	R1146	0613952R25	RES,MF,100KOHM,5%,.0625W,SM,0402,200PPM/CEL,PB-FREE	R1180	0613952R66	RES,MF,0OHM,5%,.0625W,SM,0402,PB-FREE
R832	0613952Q29	RES,MF,15OHM,5%,.0625W,SM,0402,200PPM/CEL,PB-FREE	R1115	0613952Q49	RES,MF,100OHM,5%,.0625W,SM,0402,200PPM/CEL,PB-FREE	R1151	0613952R01	RES,MF,10KOHM,5%,.0625W,SM,0402,200PPM/CEL,PB-FREE	R1181	NOT PLACED	-
R833	0613952Q49	RES,MF,100OHM,5%,.0625W,SM,0402,200PPM/CEL,PB-FREE	R1116	0613952R01	RES,MF,10KOHM,5%,.0625W,SM,0402,200PPM/CEL,PB-FREE	R1152	0613952R01	RES,MF,10KOHM,5%,.0625W,SM,0402,200PPM/CEL,PB-FREE	R1182	0613952R01	RES,MF,10KOHM,5%,.0625W,SM,0402,200PPM/CEL,PB-FREE
R840	0613952Q29	RES,MF,15OHM,5%,.0625W,SM,0402,200PPM/CEL,PB-FREE	R1117	0613952R22	RES,MF,75KOHM,5%,.0625W,SM,0402,200PPM/CEL,PB-FREE	R1154	0613952R01	RES,MF,10KOHM,5%,.0625W,SM,0402,200PPM/CEL,PB-FREE	R1183	0613952Q73	RES,MF,1KOHM,5%,.0625W,SM,0402,200PPM/CEL,PB-FREE
R848	0613952Q29	RES,MF,15OHM,5%,.0625W,SM,0402,200PPM/CEL,PB-FREE	R1121	0613952R12	RES,MF,30KOHM,5%,.0625W,SM,0402,200PPM/CEL,PB-FREE	R1160	0613952R03	RES,MF,12KOHM,5%,.0625W,SM,0402,200PPM/CEL,PB-FREE	R1184	0613952Q81	RES,MF,2.2KOHM,5%,.0625W,SM,0402,200PPM/CEL,PB-FREE
R849	0613952Q67	RES,MF,560OHM,5%,.0625W,SM,0402,200PPM/CEL,PB-FREE	R1122	0613952R22	RES,MF,75KOHM,5%,.0625W,SM,0402,200PPM/CEL,PB-FREE	R1161	0613952R01	RES,MF,10KOHM,5%,.0625W,SM,0402,200PPM/CEL,PB-FREE	R1304	NOT PLACED	-
R901	0613952R01	RES,MF,10KOHM,5%,.0625W,SM,0402,200PPM/CEL,PB-FREE	R1124	0613952Q42	RES,MF,51OHM,5%,.0625W,SM,0402,200PPM/CEL,PB-FREE	R1162	0613952R29	RES,MF,150KOHM,5%,.0625W,SM,0402,200PPM/CEL,PB-FREE	R1307	0613952Q73	RES,MF,1KOHM,5%,.0625W,SM,0402,200PPM/CEL,PB-FREE
R902	0613952R01	RES,MF,10KOHM,5%,.0625W,SM,0402,200PPM/CEL,PB-FREE	R1125	0613952R17	RES,MF,47KOHM,5%,.0625W,SM,0402,200PPM/CEL,PB-FREE	R1163	0613952R01	RES,MF,10KOHM,5%,.0625W,SM,0402,200PPM/CEL,PB-FREE	R1500	0613952R66	RES,MF,0OHM,5%,.0625W,SM,0402,PB-FREE
R903	0613952R01	RES,MF,10KOHM,5%,.0625W,SM,0402,200PPM/CEL,PB-FREE	R1126	0613952R08	RES,MF,20KOHM,5%,.0625W,SM,0402,200PPM/CEL,PB-FREE	R1164	0613952R01	RES,MF,10KOHM,5%,.0625W,SM,0402,200PPM/CEL,PB-FREE	R1501	NOT PLACED	-
R904	0613952R13	RES,MF,33KOHM,5%,.0625W,SM,0402,200PPM/CEL,PB-FREE	R1127	0613952R08	RES,MF,20KOHM,5%,.0625W,SM,0402,200PPM/CEL,PB-FREE	R1165	0613952Q56	RES,MF,200OHM,5%,.0625W,SM,0402,200PPM/CEL,PB-FREE	R1502	0613952Q73	RES,MF,1KOHM,5%,.0625W,SM,0402,200PPM/CEL,PB-FREE
R905	0613952Q73	RES,MF,1KOHM,5%,.0625W,SM,0402,200PPM/CEL,PB-FREE	R1128	0613952R01	RES,MF,10KOHM,5%,.0625W,SM,0402,200PPM/CEL,PB-FREE	R1166	0613952Q56	RES,MF,200OHM,5%,.0625W,SM,0402,200PPM/CEL,PB-FREE	R1503	0613952R06	RES,MF,16KOHM,5%,.0625W,SM,0402,200PPM/CEL,PB-FREE
R906	0613952Q61	RES,MF,330OHM,5%,.0625W,SM,0402,200PPM/CEL,PB-FREE	R1129	NOT PLACED	-	R1167	0613952R01	RES,MF,10KOHM,5%,.0625W,SM,0402,200PPM/CEL,PB-FREE	R1504	0613952R13	RES,MF,33KOHM,5%,.0625W,SM,0402,200PPM/CEL,PB-FREE
R1101	0613952R25	RES,MF,100KOHM,5%,.0625W,SM,0402,200PPM/CEL,PB-FREE	R1130	NOT PLACED	-	R1168	0613952R01	RES,MF,10KOHM,5%,.0625W,SM,0402,200PPM/CEL,PB-FREE	R1505	0613952R01	RES,MF,10KOHM,5%,.0625W,SM,0402,200PPM/CEL,PB-FREE
R1102	0613952R25	RES,MF,100KOHM,5%,.0625W,SM,0402,200PPM/CEL,PB-FREE	R1135	0613952R66	RES,MF,0OHM,5%,.0625W,SM,0402,PB-FREE	R1169	0613952P52	RES,MF,340KOHM,1%,.0625W,SM,0402,200PPM/CEL,PB-FREE	R1506	0613952R04	RES,MF,13KOHM,5%,.0625W,SM,0402,200PPM/CEL,PB-FREE
R1103	06009259001	RES,SHUNT,.02OHM,.25W,SMD,LOW RESISTANCE THK FLM RES	R1136	0613952R01	RES,MF,10KOHM,5%,.0625W,SM,0402,200PPM/CEL,PB-FREE	R1170	0613952N88	RES,MF,80.6KOHM,1%,.0625W,SM,0402,200PPM/CEL,PB-FREE	R1906	0613952R01	RES,MF,10KOHM,5%,.0625W,SM,0402,200PPM/CEL,PB-FREE
R1104	0613952Q49	RES,MF,100OHM,5%,.0625W,SM,0402,200PPM/CEL,PB-FREE	R1137	0613952R01	RES,MF,10KOHM,5%,.0625W,SM,0402,200PPM/CEL,PB-FREE	R1171	0613952R66	RES,MF,0OHM,5%,.0625W,SM,0402,PB-FREE	R1907	0613952R01	RES,MF,10KOHM,5%,.0625W,SM,0402,200PPM/CEL,PB-FREE
R1105	0613952Q49	RES,MF,100OHM,5%,.0625W,SM,0402,200PPM/CEL,PB-FREE	R1138	0613952R25	RES,MF,100KOHM,5%,.0625W,SM,0402,200PPM/CEL,PB-FREE	R1172	0613952Q89	RES,MF,4.7KOHM,5%,.0625W,SM,0402,200PPM/CEL,PB-FREE	R1908	0613952R01	RES,MF,10KOHM,5%,.0625W,SM,0402,200PPM/CEL,PB-FREE
			R1139	0613952R25	RES,MF,100KOHM,5%,.0625W,SM,0402,200PPM/CEL,PB-FREE	R1174	0613952R01	RES,MF,10KOHM,5%,.0625W,SM,0402,200PPM/CEL,PB-FREE	R1909	0613952R01	RES,MF,10KOHM,5%,.0625W,SM,0402,200PPM/CEL,PB-FREE
			R1140	0613952R25	RES,MF,100KOHM,5%,.0625W,SM,0402,200PPM/CEL,PB-FREE				R1910	0613952Q73	RES,MF,1KOHM,5%,.0625W,SM,0402,200PPM/CEL,PB-FREE

Ref. Des.	Part Number	Description
U1146	5109522E93	GATE,OR,SN74LVC1G32YZPR, 1PER PKG,SM,2 INPUT IN NANO PKG
U1147	5109522E94	GATE,AND,1PER PKG,SM,2 INPUT IN NANO PKG
U1148	5185941F56	IC,OP AMP,1PER PKG,RAIL- RAIL,SOIC,IC SNGL LV LP OP AMP
U1304	5105739X13	IC,AMP,SIGE,QFN,QFN,18DB, 1.57GHZMIN,1.57GHZMAX,.9DB, SIGE GPS LO
U1500	51012101001	IC,SM,VHF/UHF/800/900 MHZ LDMOS DRVR IC
U1501	5175143H01	IC,WIDE SPLY RANGE OP AMP
U1932	4885316E32	XSTR,BIP RF SML SGNL,SLCN, BFR380F,SM,SMT,6V,380W,80A, 14MHZ,TR
VR101	4813977M29	DIODE,VREF,MBZ5250,SM,SOT- 23,20V,.225W,ZEN
VR200	4813977M29	DIODE,VREF,MBZ5250,SM,SOT- 23,20V,.225W,ZEN
VR602	4805656W87	DIODE,VCTR, @ 15V,1SV279, SOD-523/SC-79,SOD-523/SC-79
VR1905	4815096H01	DIODE,VCTR, @ 10V,1SV305G, SM,VCTR DIODE 1SV305
VR1906	4815096H01	DIODE,VCTR, @ 10V,1SV305G, SM,VCTR DIODE 1SV305
VR1907	4815096H01	DIODE,VCTR, @ 10V,1SV305G, SM,VCTR DIODE 1SV305
VR1908	4815096H01	DIODE,VCTR, @ 10V,1SV305G, SM,VCTR DIODE 1SV305
VR1910	4815096H01	DIODE,VCTR, @ 10V,1SV305G, SM,VCTR DIODE 1SV305
VR1920	4815096H01	DIODE,VCTR, @ 10V,1SV305G, SM,VCTR DIODE 1SV305
Y701	4871886H01	OSC,TCXO,16.8MHZ,SM,16.8 MHZ VCTXO .8PPM
Y704	5164852H68	OSC,VOLTAGE CONTROLLED, 411MHZ MAX,270MHZ MIN,SM, M9LX7WX2.5H,I
Y705	5164852H66	OSC,VOLTAGE CONTROLLED, 520MHZ MAX,380MHZ MIN,SM, M9LX7WX2.5H,I
Y706	NOT PLACED	-
Y707	5164852H67	OSC,VOLTAGE CONTROLLED, 824MHZ MAX,245MHZ MIN,SM, M9LX7WX2.5H,I

Notes

8.9 VOCON Boards

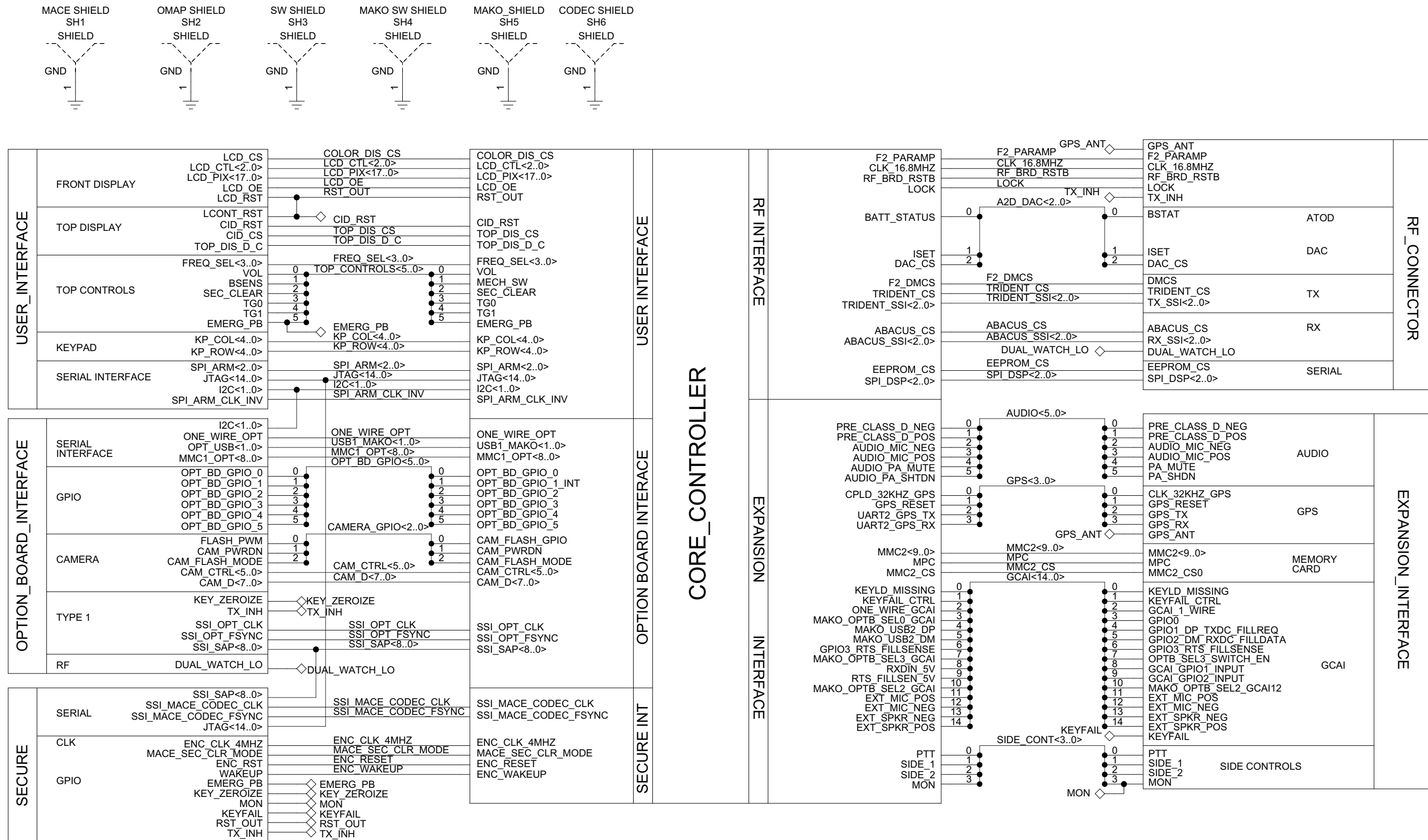


Figure 8-118. MNCN6200A/MNCN6201A/MNCN6202A/MNCN6203A VOCON Board Overall Schematic

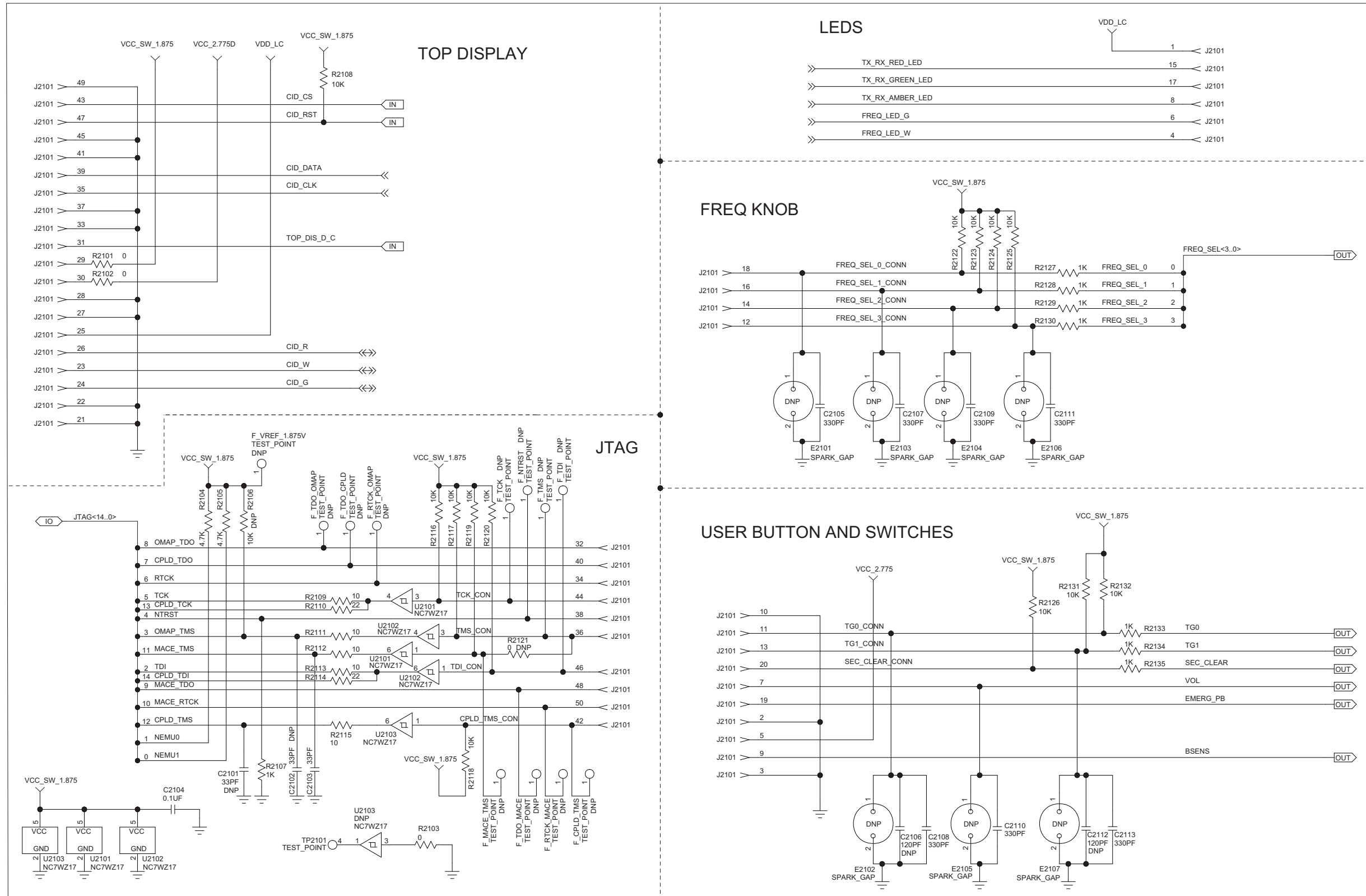


Figure 8-119. MNCN6200A/MNCN6201A/MNCN6202A/MNCN6203A VOCON CID, Controls and JTAG Schematics

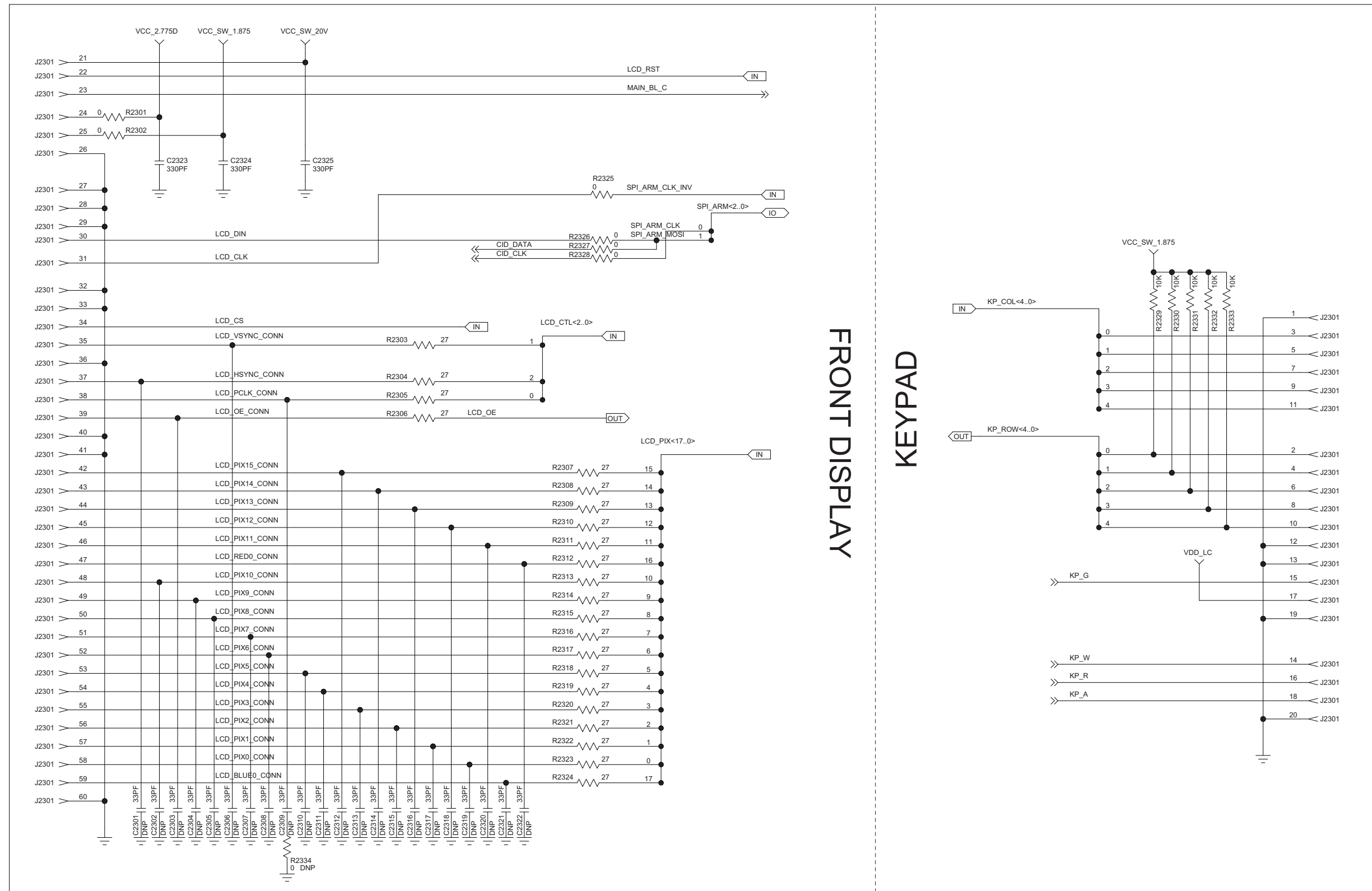
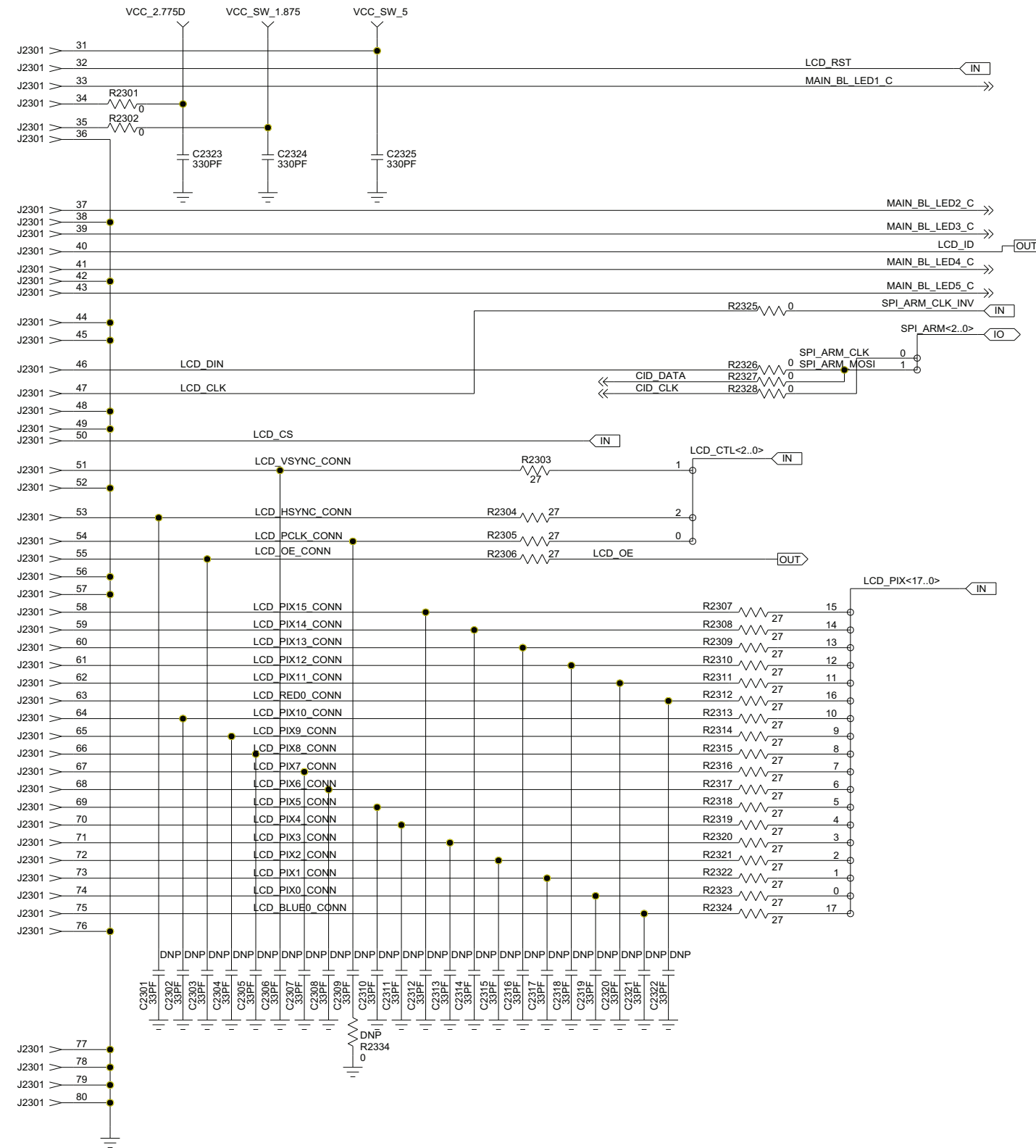


Figure 8-120. MNCN6200A/MNCN6201A VOCON LCD and Connector Circuits



FRONT DISPLAY

KEYPAD

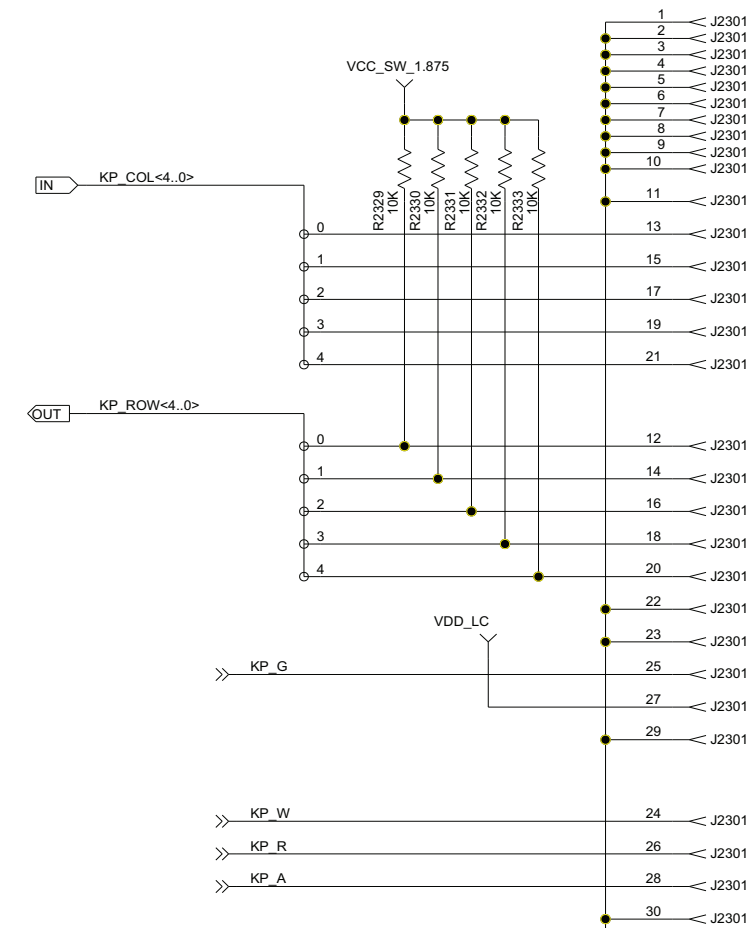


Figure 8-121. MNCN6202A/MNCN6203A VOCON LCD and Connector Circuits

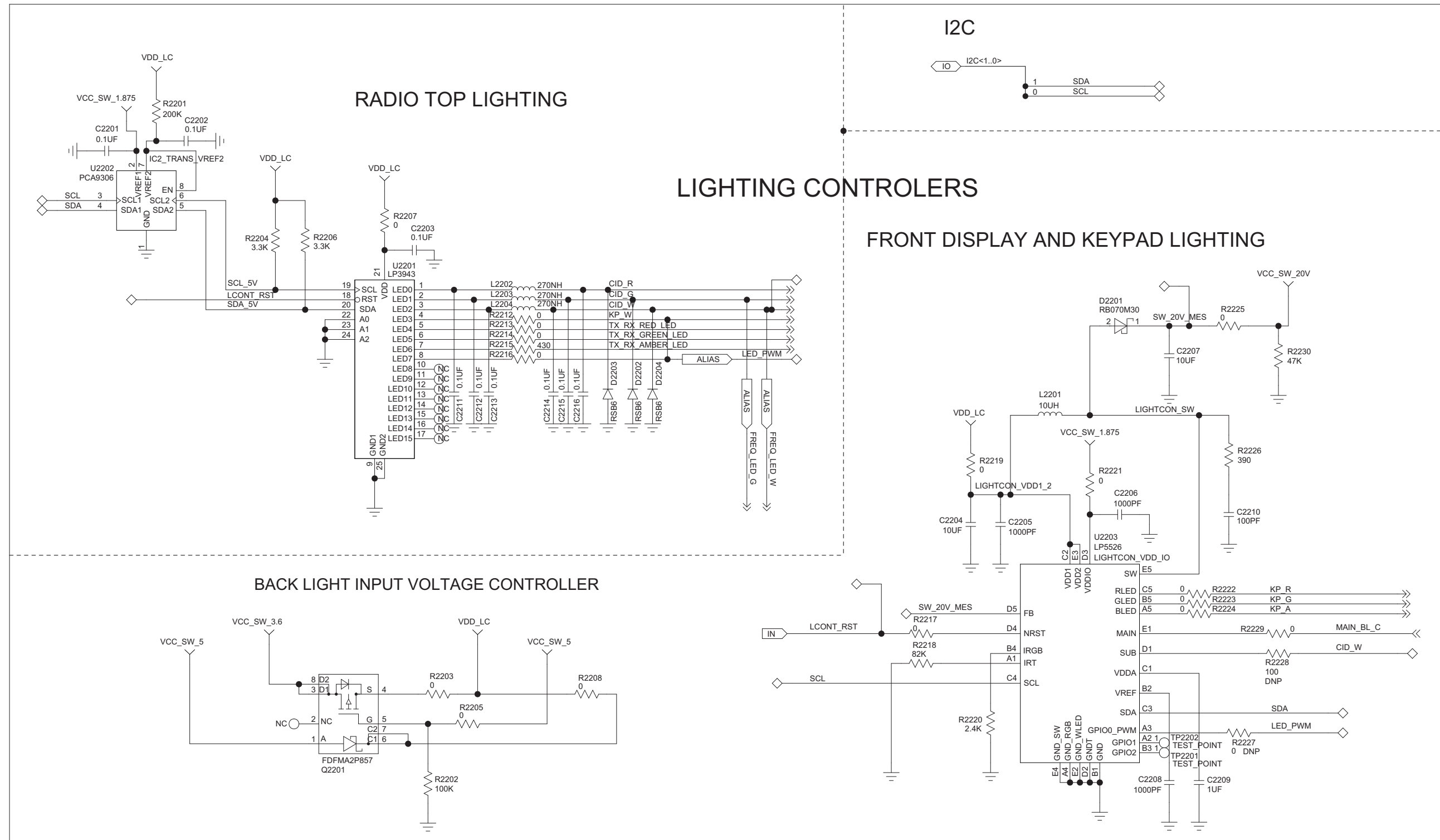


Figure 8-122. MNCN6200A VOCON Lighting Controller Circuits

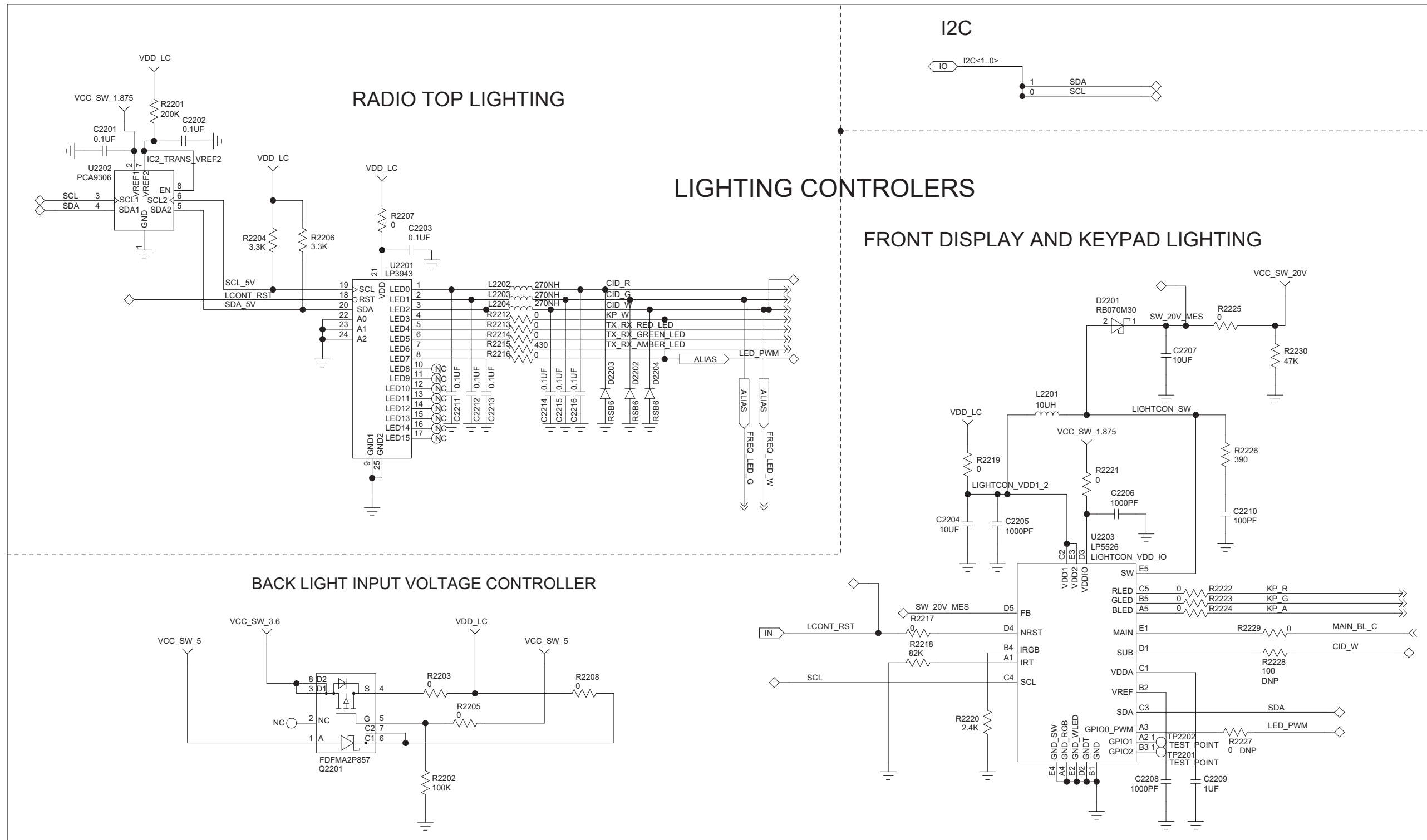


Figure 8-123. MNCN6201A VOCON Lighting Controller Circuits

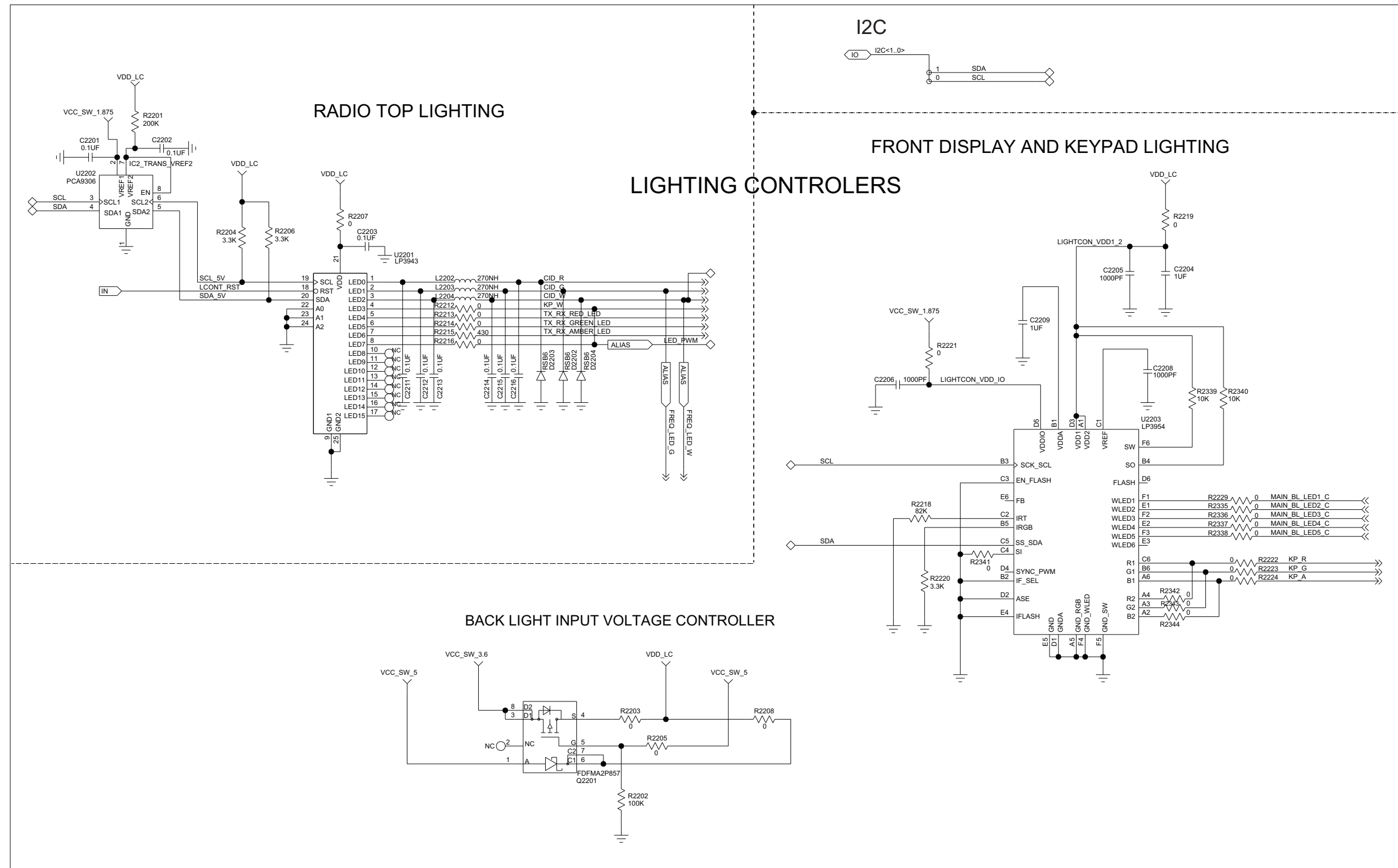


Figure 8-124. MNCN6202A VOCON Lighting Controller Circuits

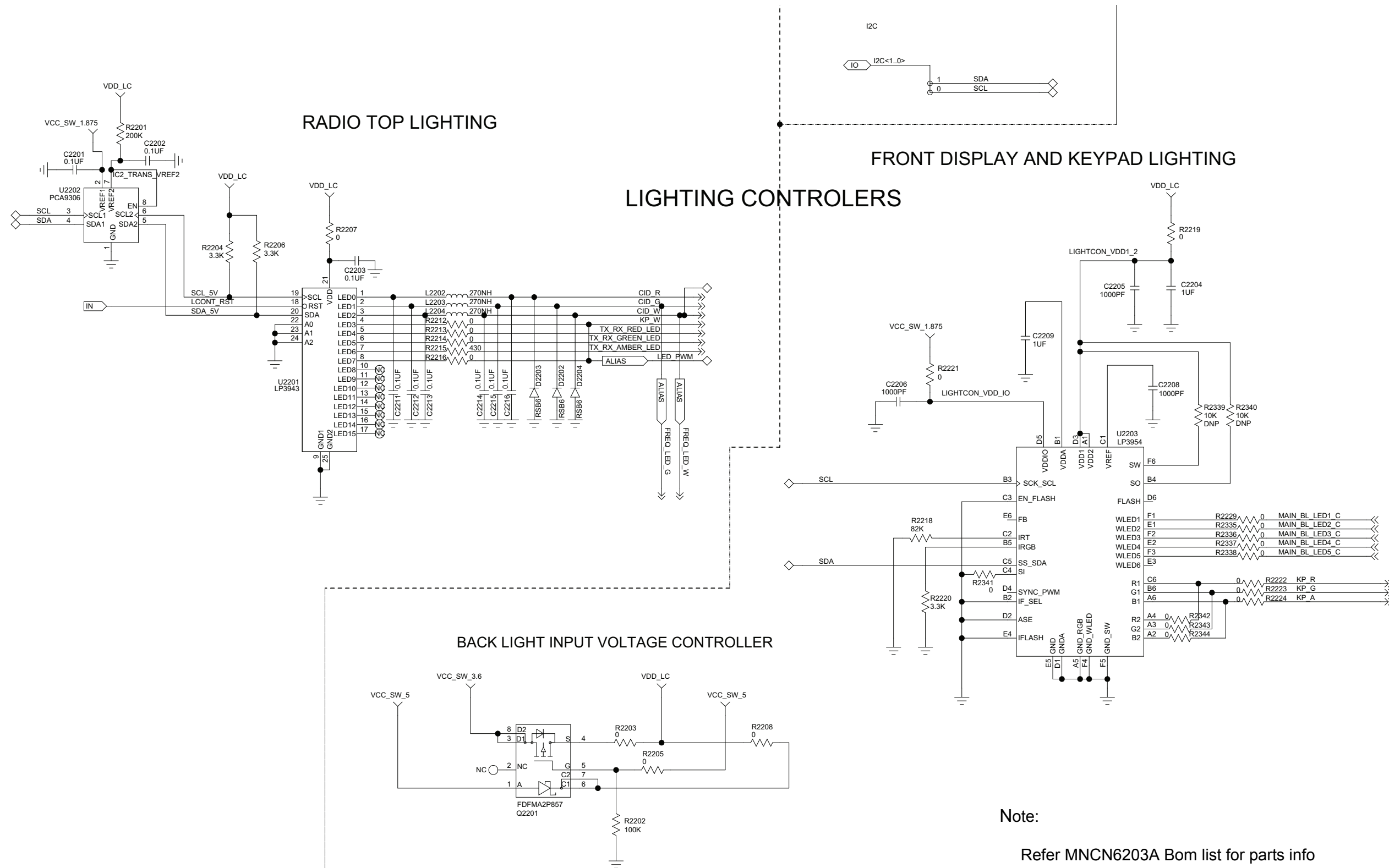


Figure 8-125. MNCN6203A VOCON Lighting Controller Circuits

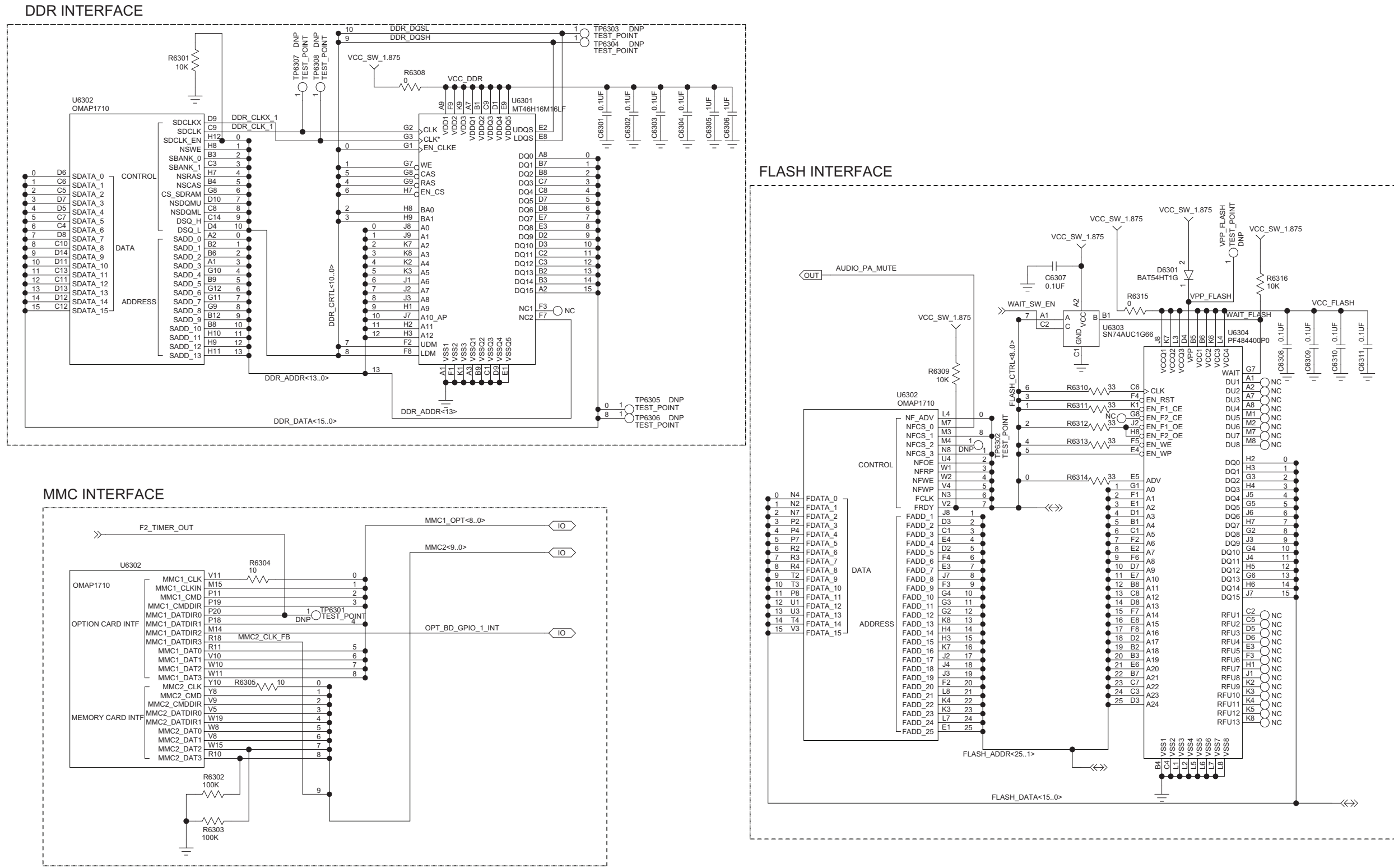


Figure 8-126. MNCN6200A/MNCN6201A VOCON Memory Interface Circuits

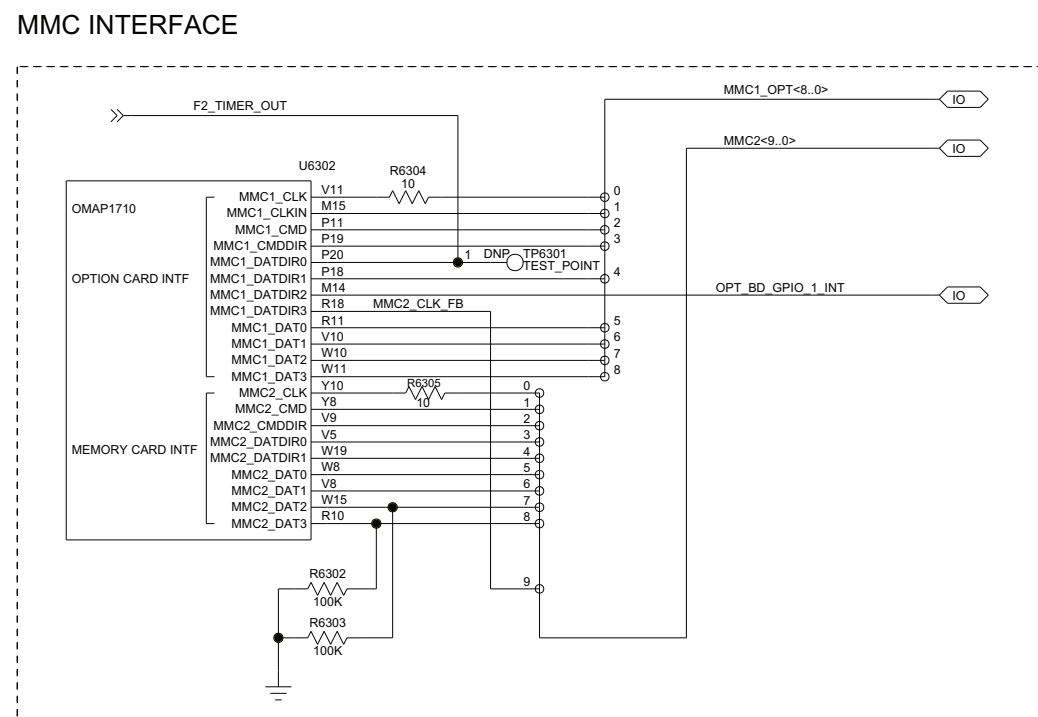
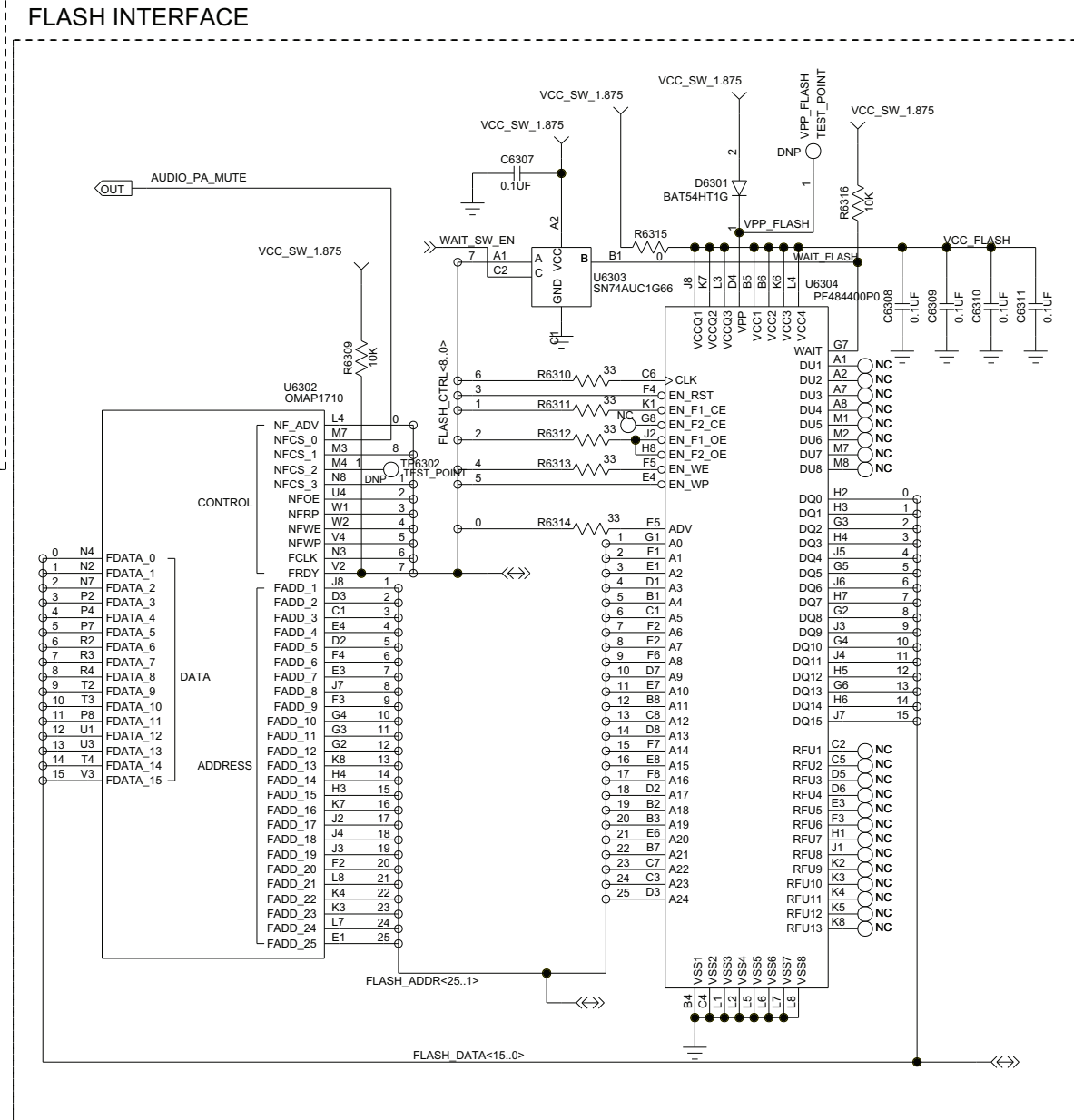
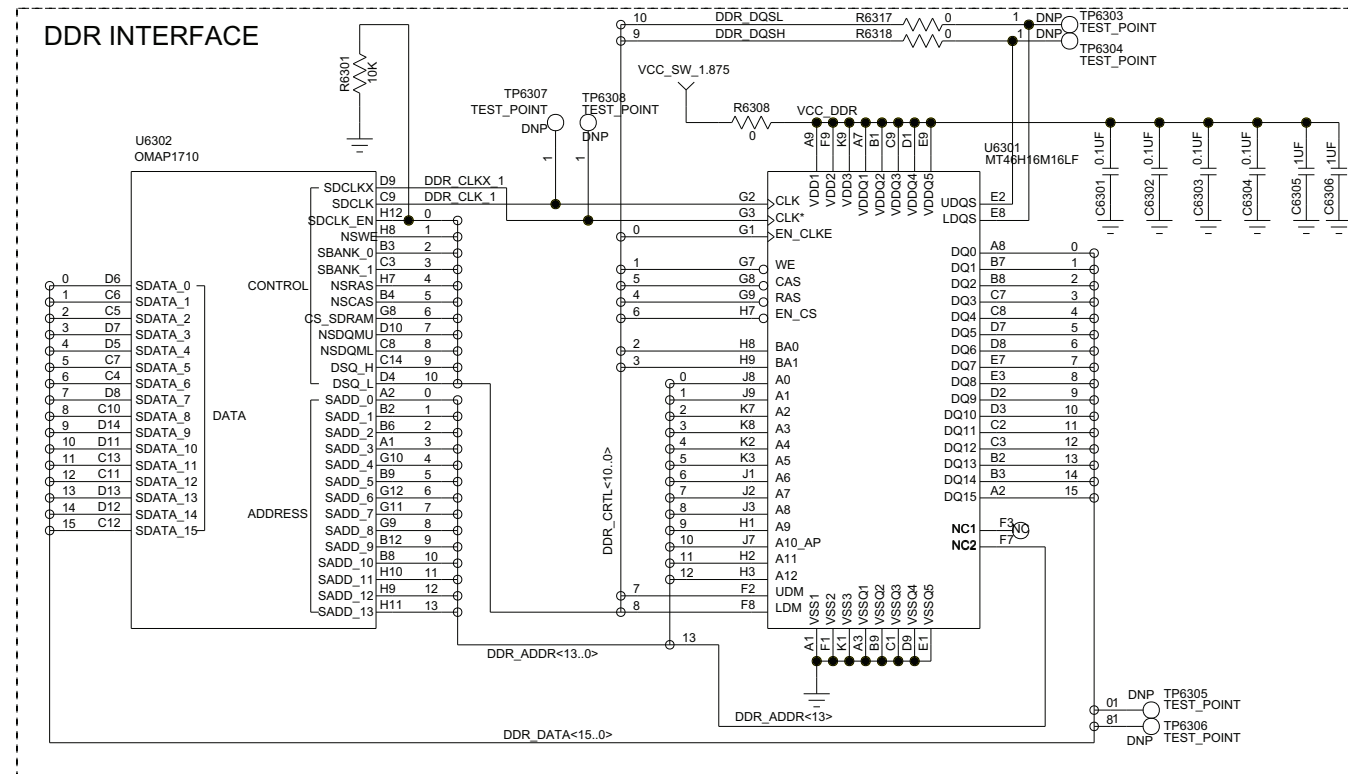


Figure 8-127. MNCN6202A/MNCN6203A VOCON Memory Interface Circuits

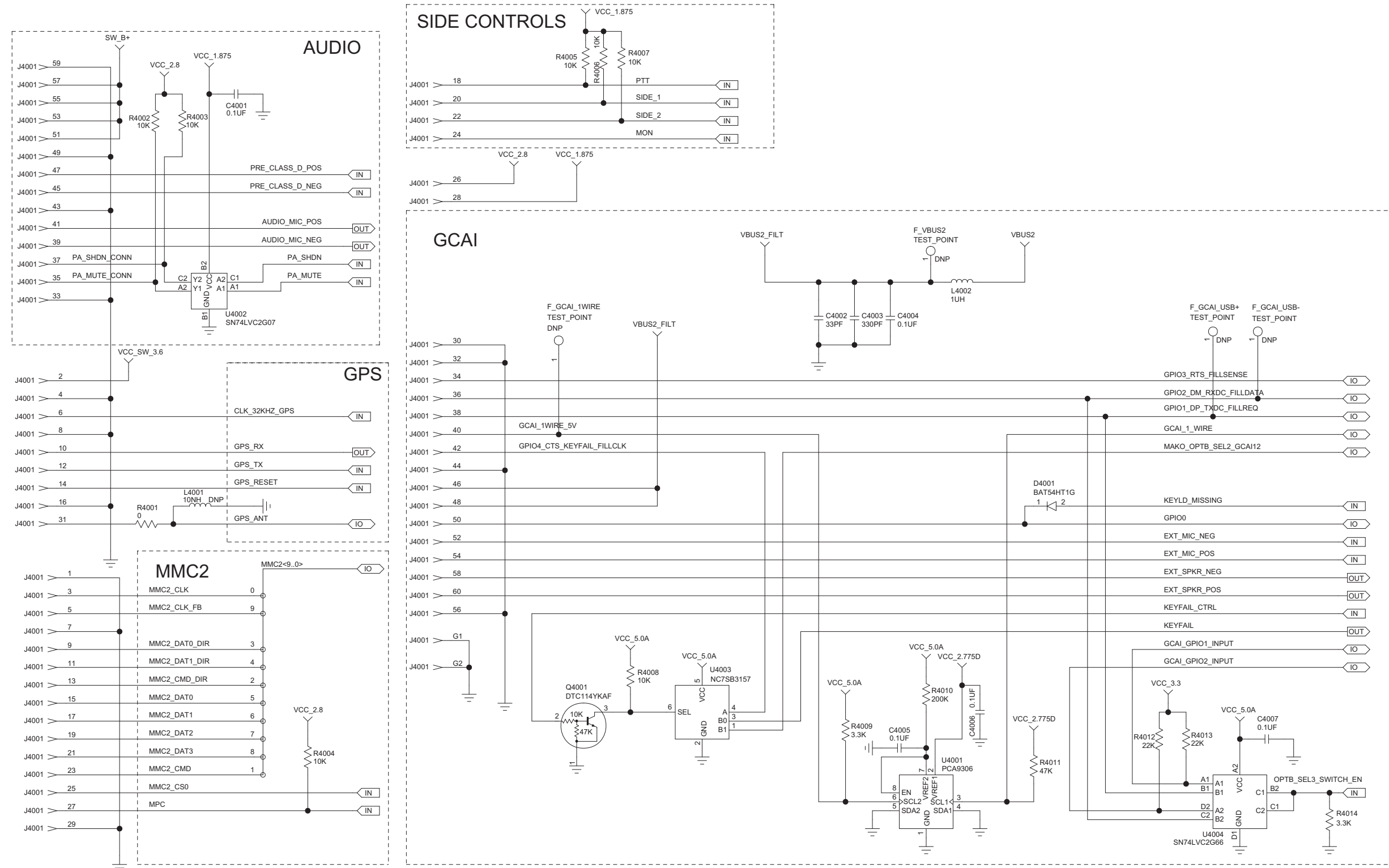


Figure 8-128. MNCN6200A/MNCN6201A/MNCN6202A/MNCN6203A VOCON Expansion Interface Circuits

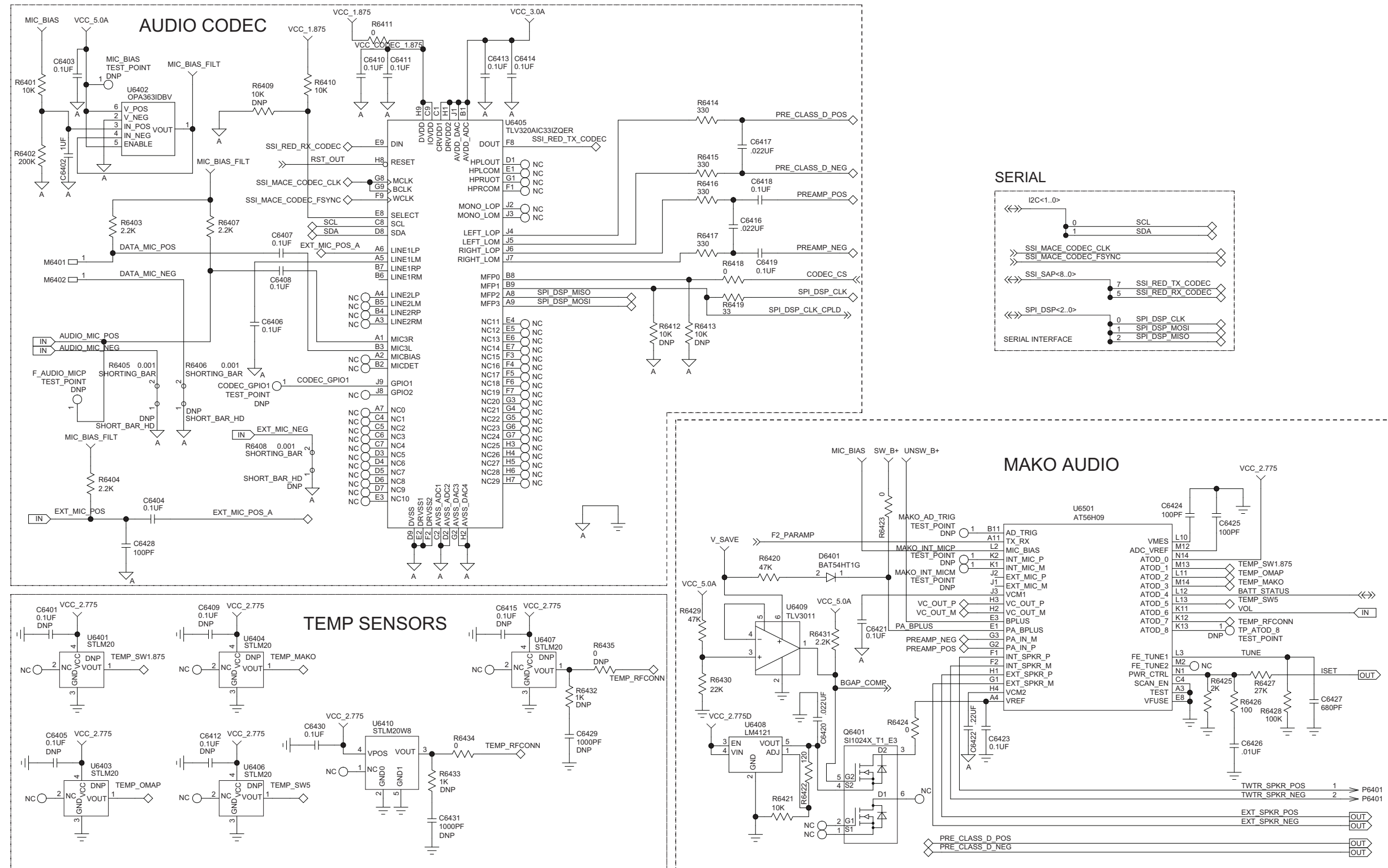


Figure 8-129. MNCN6200A/MNCN6201A VOCON Codec and Mako Audio Circuits

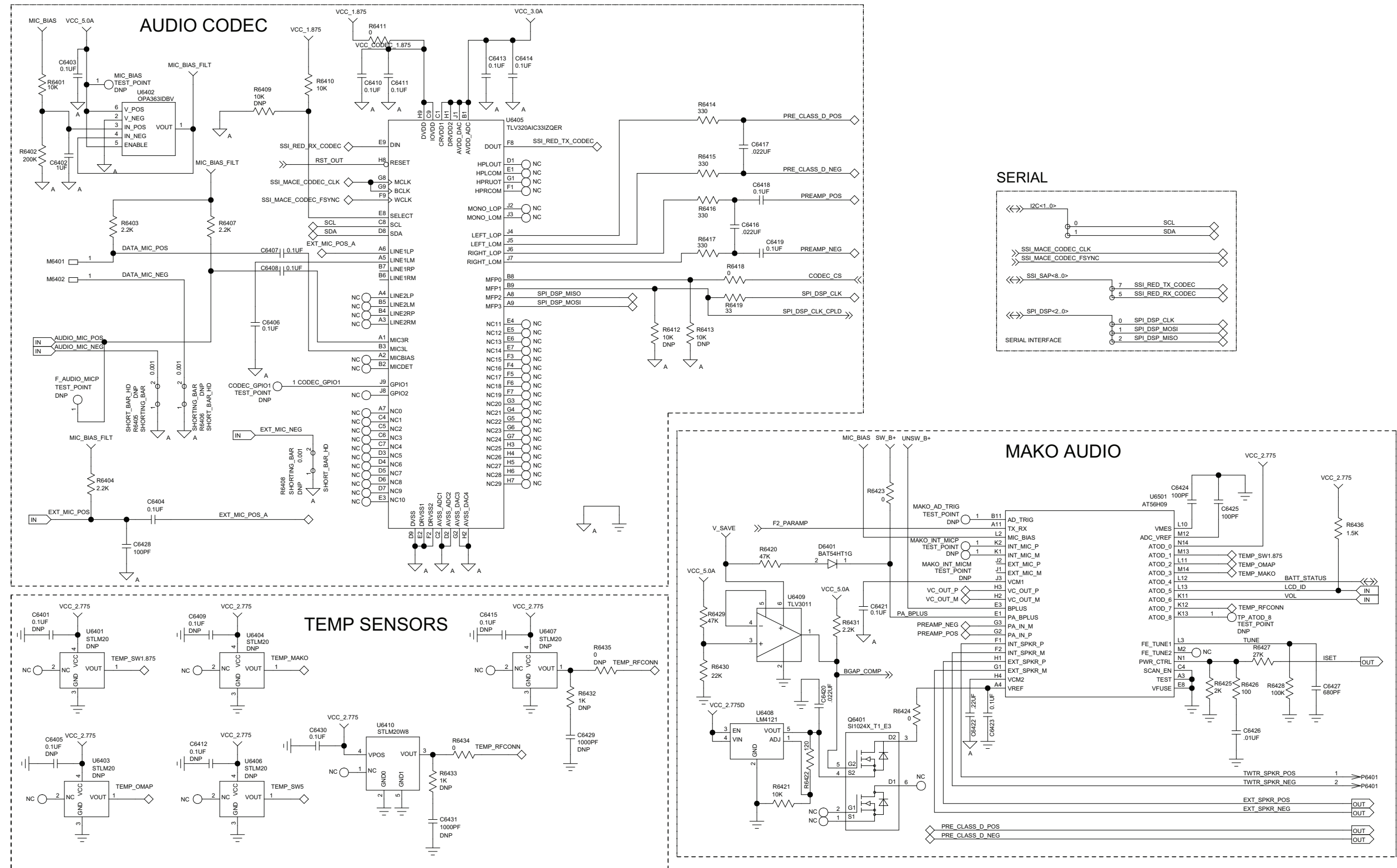


Figure 8-130. MNCN6202A/MNCN6203A VOCON Codec and Mako Audio Circuits

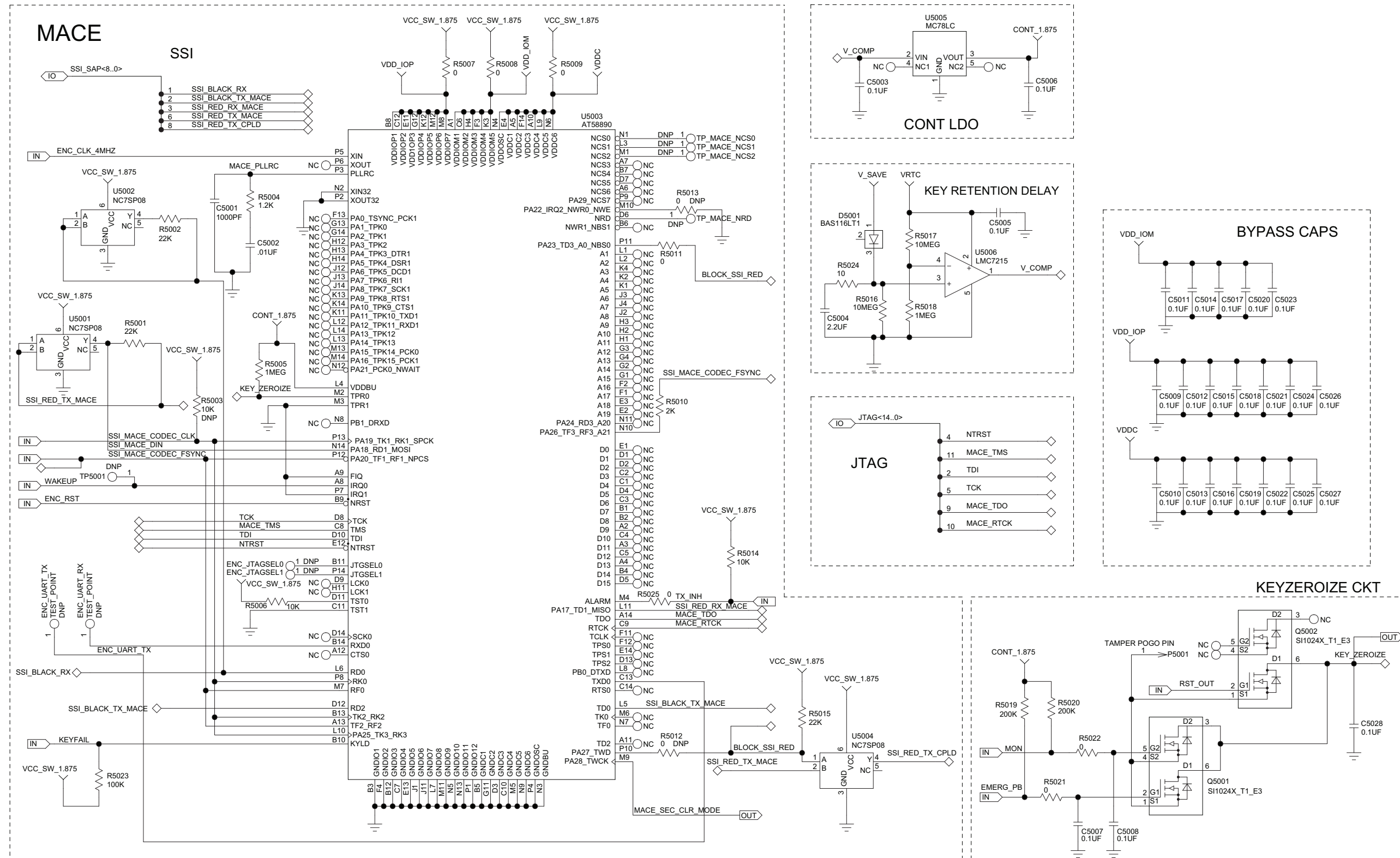


Figure 8-131. MNCN6200A/MNCN6201A/MNCN6202A/MNCN6203A VOCON Secure Circuits

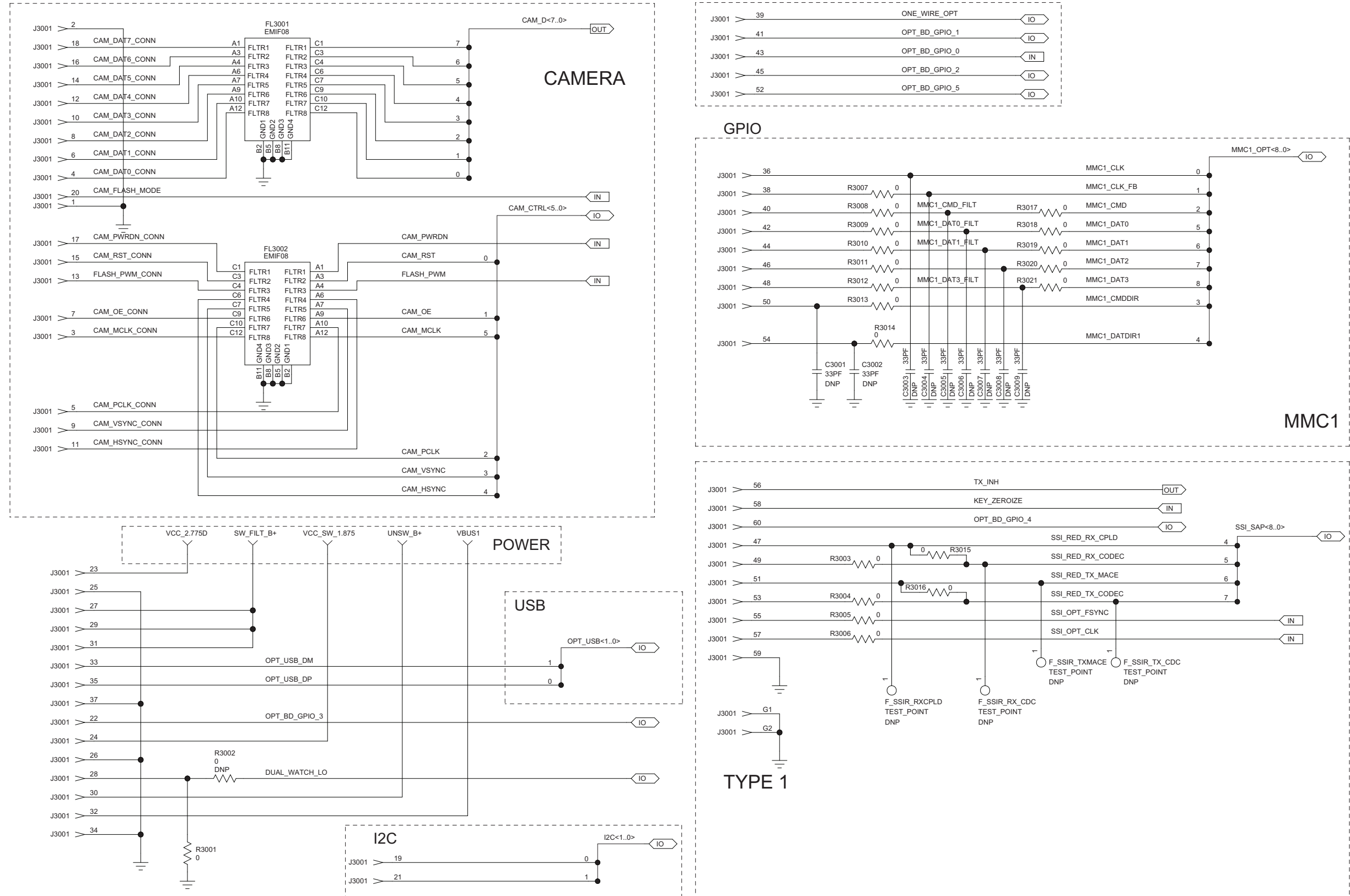


Figure 8-132. MNCN6200A/MNCN6201A/MNCN6202A/MNCN6203A Option Board Interface Circuit

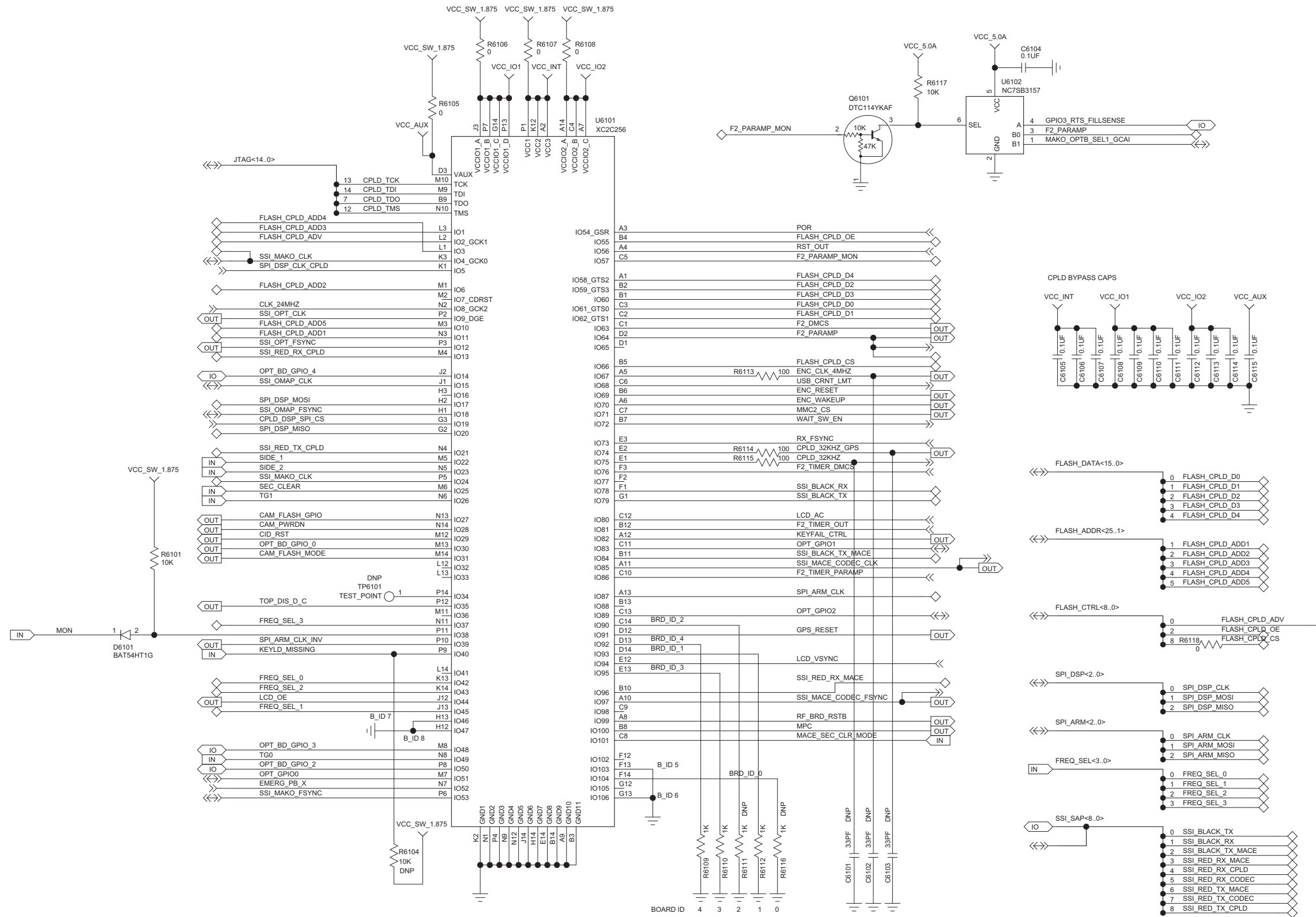


Figure 8-133. MNCN6200A/MNCN6201A/MNCN6202A/MNCN6203A VOCON CPLD Circuit

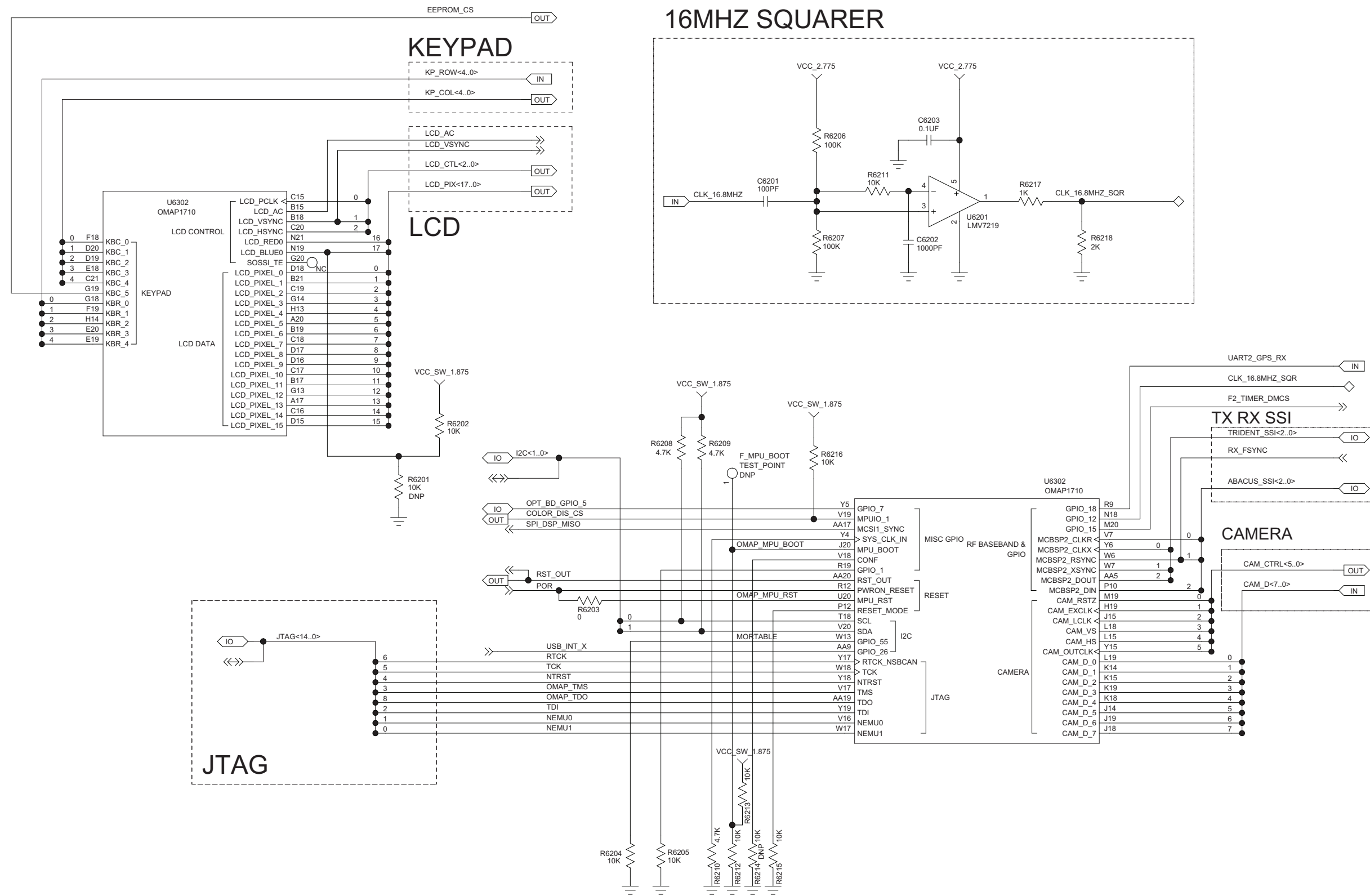


Figure 8-134. MNCN6200A/MNCN6201A/MNCN6202A/MNCN6203A VOCON OMAP User Interface Circuits

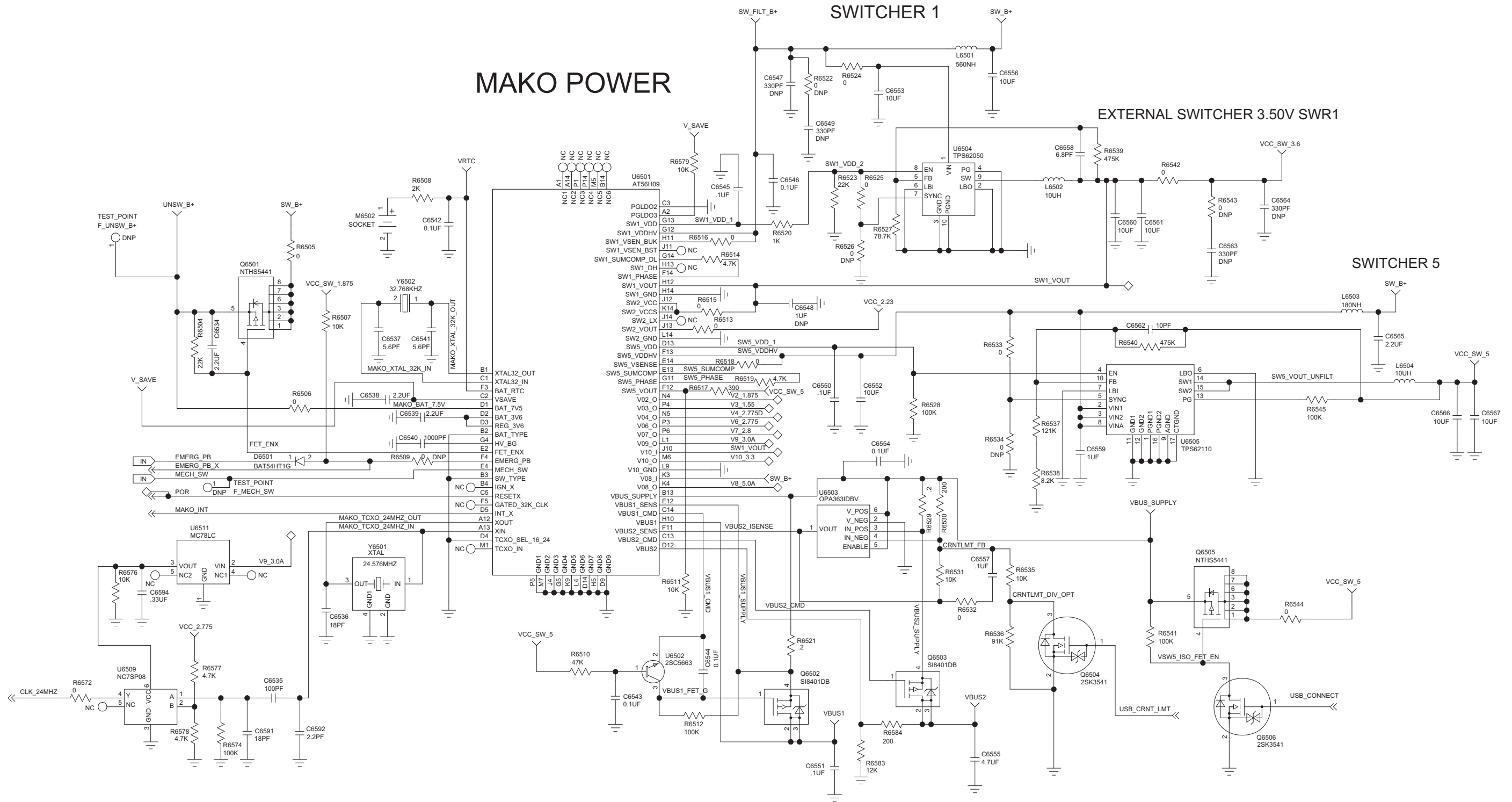


Figure 8-135. MNCN6200A/MNCN6201A/MNCN6202A/MNCN6203A VOCON Power Circuits – 1 of 2

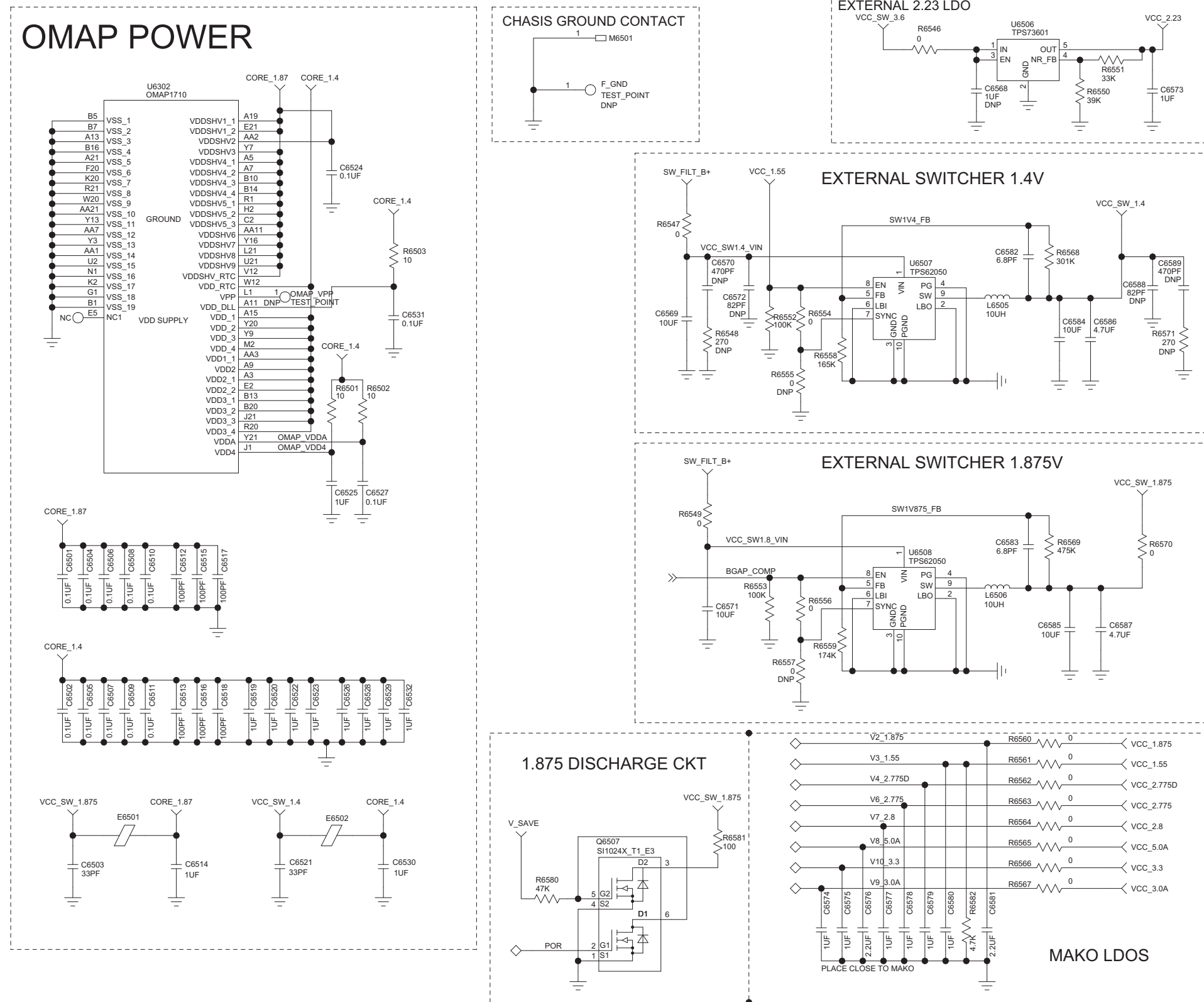


Figure 8-136. MNCN6200A/MNCN6201A VOCON Power Circuits – 2 of 2

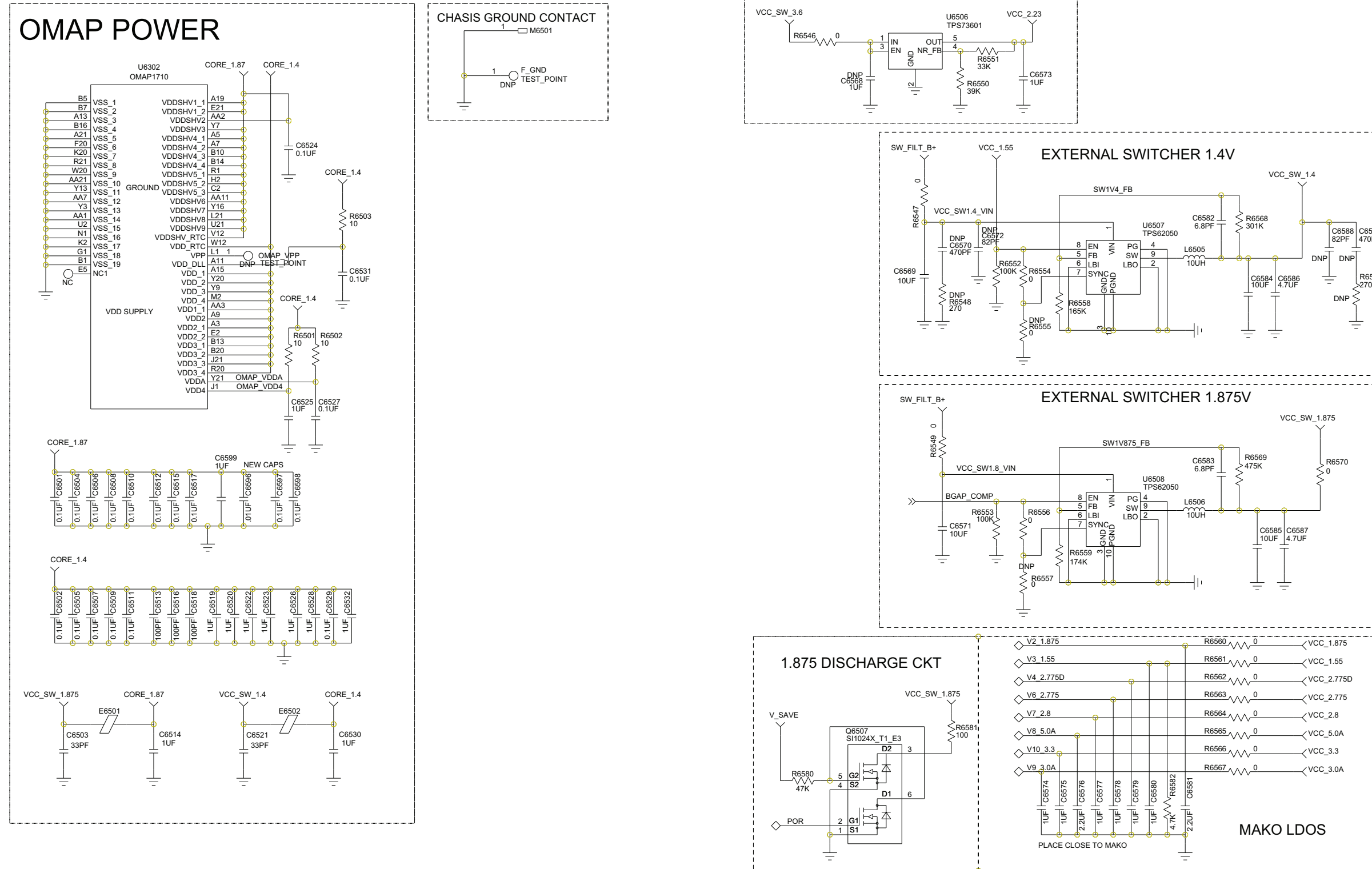


Figure 8-137. MNCN6202A/MNCN6203A VOCON Power Circuits – 2 of 2

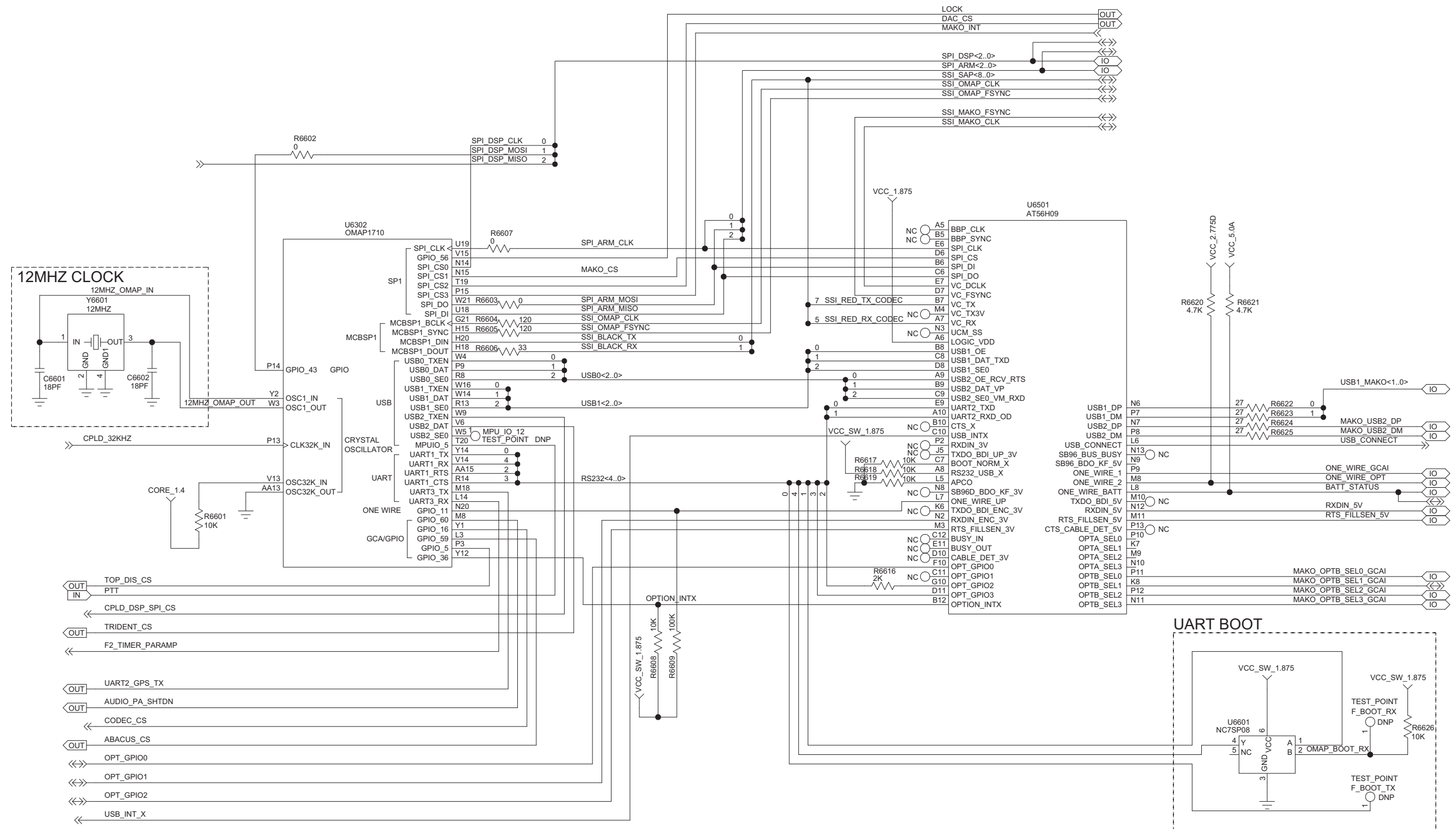


Figure 8-138. MNCN6200A/MNCN6201A/MNCN6202A/MNCN6203A VOCON Serial Interface Circuit

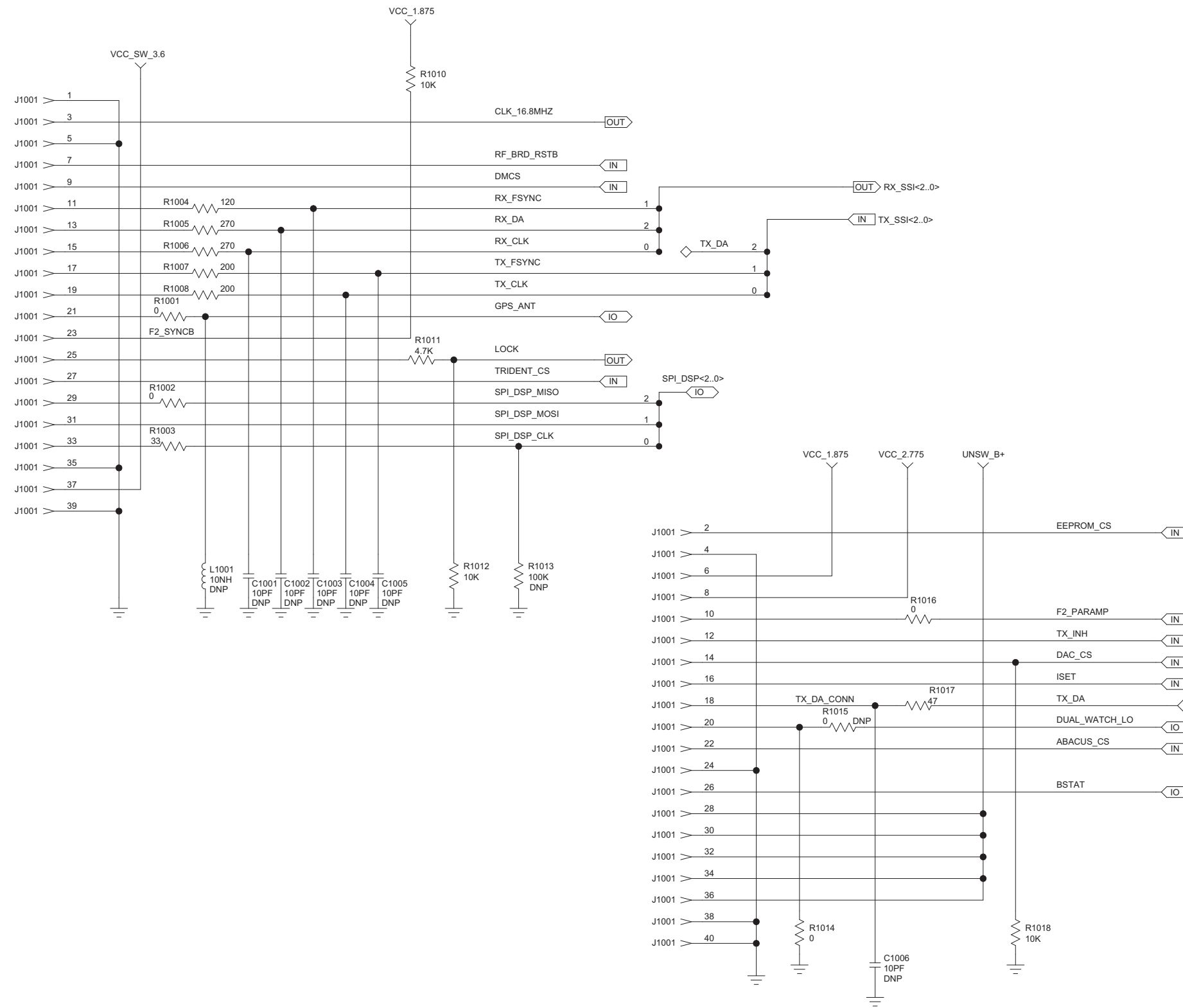


Figure 8-139. MNCN6200A/MNCN6201A/MNCN6202A/MNCN6203A VOCON RF Interface Circuit

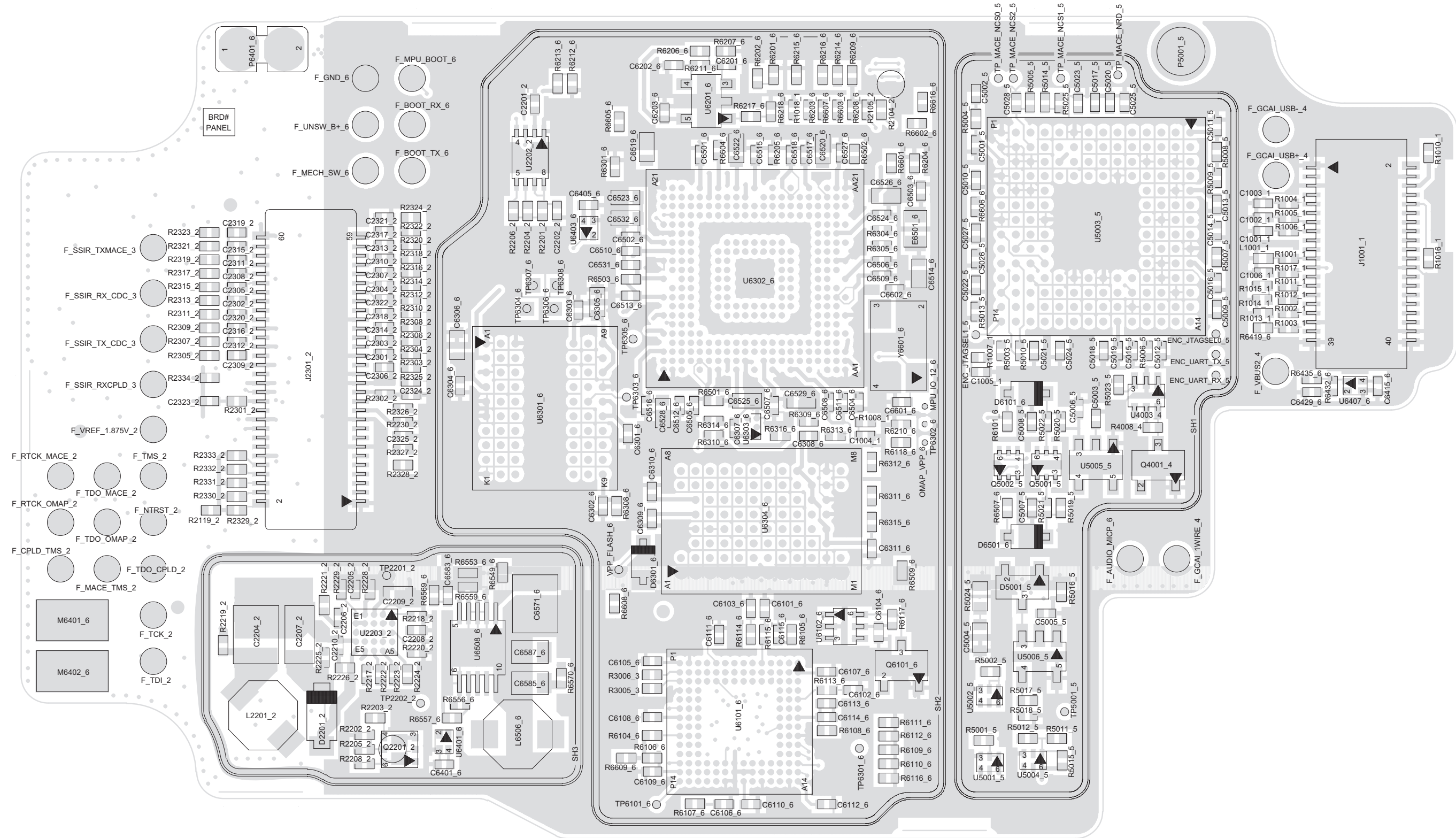


Figure 8-140. MNCN6200A/MNCN6201A VOCON Board Layout – Side 1

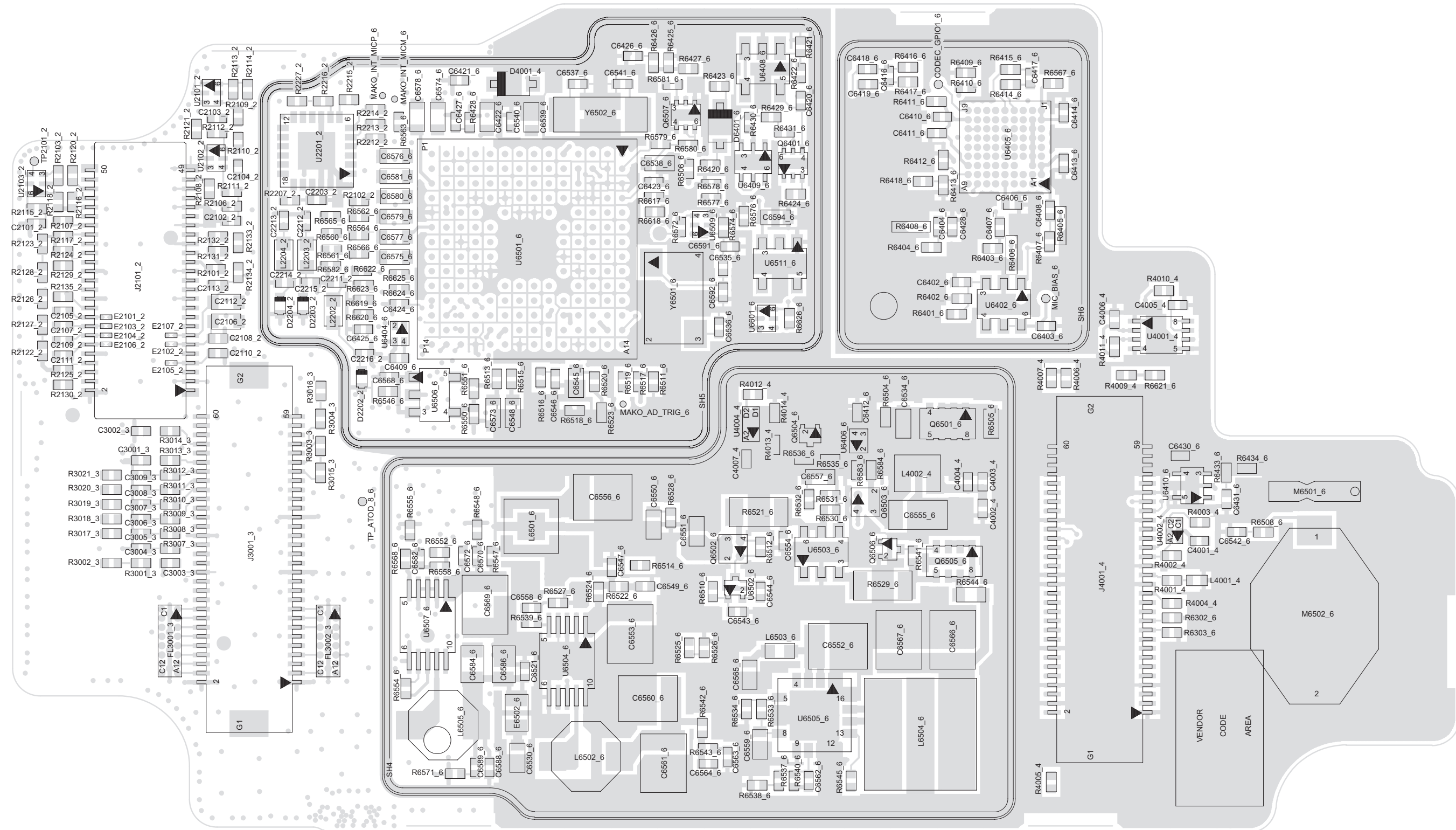


Figure 8-141. MNCN6200A/MNCN6201A VOCON Board Layout – Side 2

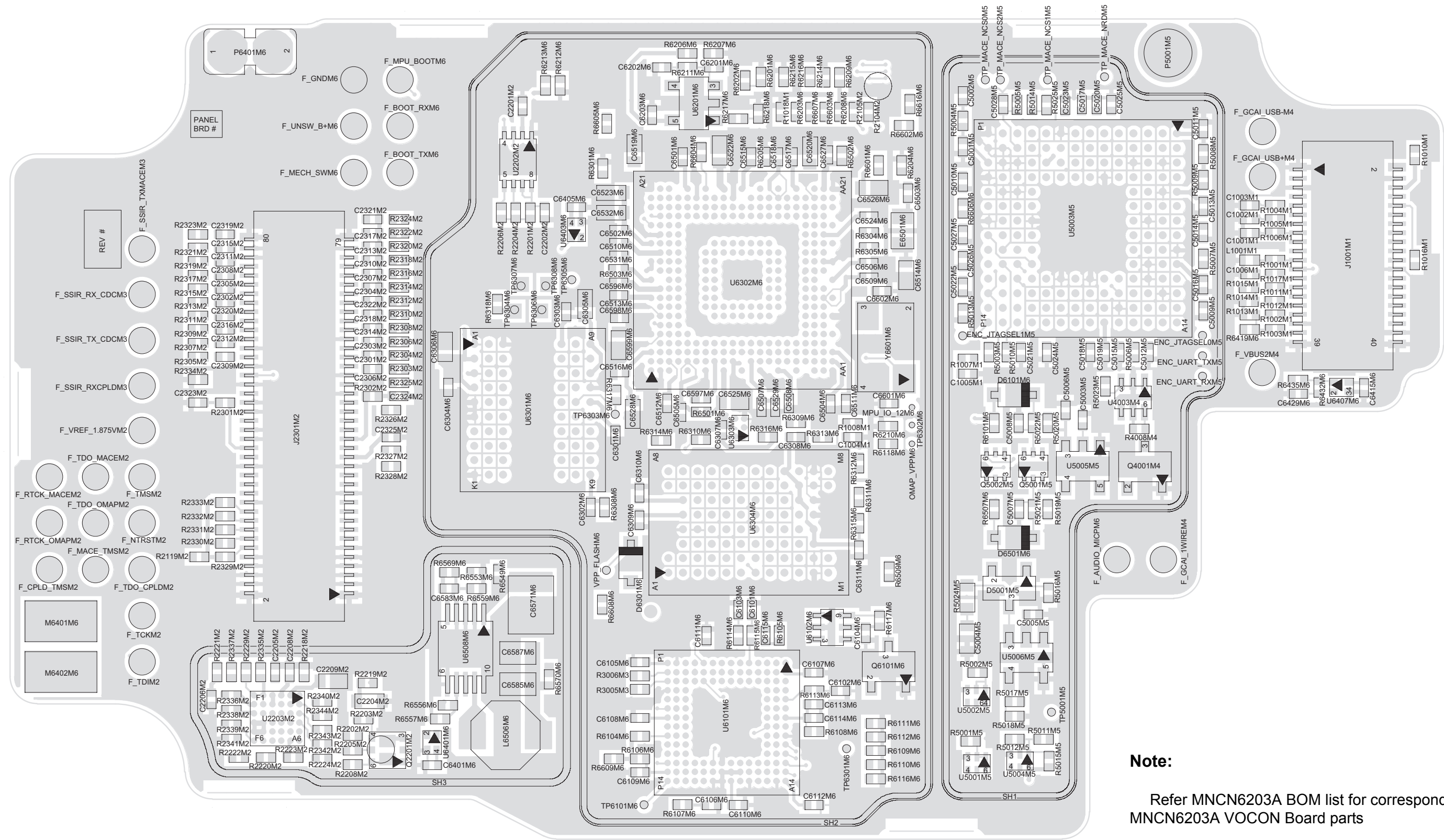
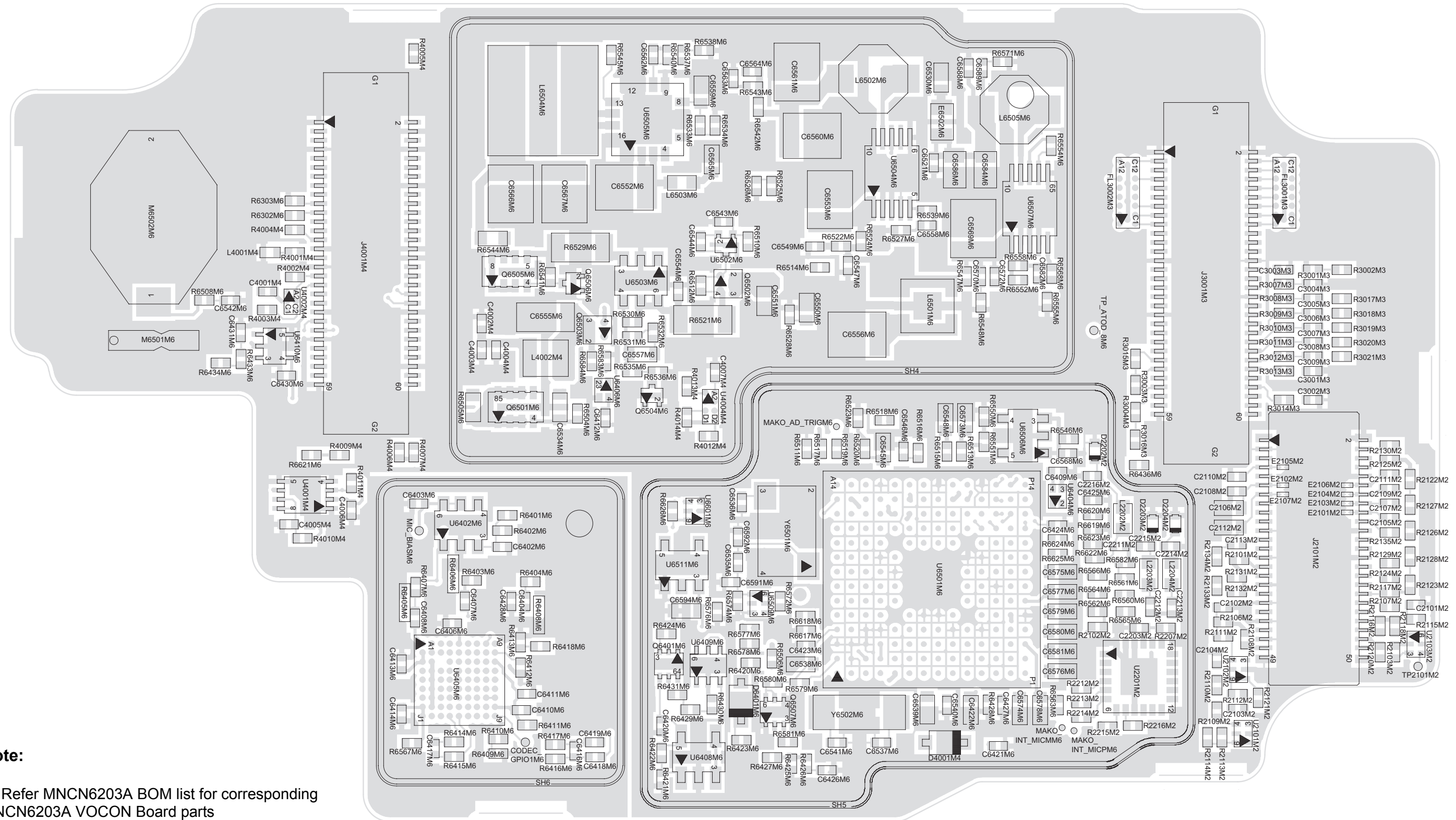


Figure 8-142. MNCN6202A/ MNCN6203A VOCON Board Layout – Side 1



Note:
Refer MNCN6203A BOM list for corresponding MNCN6203A VOCON Board parts

Figure 8-143. MNCN6202A/ MNCN6203A VOCON Board Layout – Side 2

MNCN6200A VOCON Board Parts List

Ref. Des.	Part Number	Description
C1001	NOT PLACED	-
C1002	NOT PLACED	-
C1003	NOT PLACED	-
C1004	NOT PLACED	-
C1005	NOT PLACED	-
C1006	NOT PLACED	-
C2101	NOT PLACED	-
C2102	NOT PLACED	-
C2103	2113944A31	CAP,CHIP,33PF,+5%,-10%, 50V-DC,0402,C0G,-55DEG CMIN, 125DEG CMAX,P
C2104	2113946B04	CAP,CHIP,.1UF,+10%,-10%, 10V-DC,0402,X5R,-55DEG CMIN, 85DEG CMAX
C2105	2113944A46	CAP,CHIP,330PF,+5%,-10%, 50V-DC,0402,C0G,-55DEG CMIN,125DEG CMAX
C2106	NOT PLACED	-
C2107	2113944A46	CAP,CHIP,330PF,+5%,-10%, 50V-DC,0402,C0G,-55DEG CMIN,125DEG CMAX
C2108	2113944A46	CAP,CHIP,330PF,+5%,-10%, 50V-DC,0402,C0G,-55DEG CMIN,125DEG CMAX
C2109	2113944A46	CAP,CHIP,330PF,+5%,-10%, 50V-DC,0402,C0G,-55DEG CMIN,125DEG CMAX
C2110	2113944A46	CAP,CHIP,330PF,+5%,-10%, 50V-DC,0402,C0G,-55DEG CMIN,125DEG CMAX
C2111	2113944A46	CAP,CHIP,330PF,+5%,-10%, 50V-DC,0402,C0G,-55DEG CMIN,125DEG CMAX
C2112	NOT PLACED	-
C2113	2113944A46	CAP,CHIP,330PF,+5%,-10%, 50V-DC,0402,C0G,-55DEG CMIN,125DEG CMAX
C2201	2113946B04	CAP,CHIP,.1UF,+10%,-10%, 10V-DC,0402,X5R,-55DEG CMIN,85DEG CMAX
C2202	2113946B04	CAP,CHIP,.1UF,+10%,-10%, 10V-DC,0402,X5R,-55DEG CMIN,85DEG CMAX

Ref. Des.	Part Number	Description
C2203	2113946B04	CAP,CHIP,.1UF,+10%,-10%, 10V-DC,0402,X5R,-55DEG CMIN,85DEG CMAX
C2204	NOT PLACED	-
C2205	NOT PLACED	-
C2206	NOT PLACED	-
C2207	NOT PLACED	-
C2208	NOT PLACED	-
C2209	NOT PLACED	-
C2210	NOT PLACED	-
C2211	2113946B04	CAP,CHIP,.1UF,+10%,-10%, 10V-DC,0402,X5R,-55DEG CMIN, 85DEG CMAX
C2212	2113946B04	CAP,CHIP,.1UF,+10%,-10%, 10V-DC,0402,X5R,-55DEG CMIN, 85DEG CMAX
C2213	2113946B04	CAP,CHIP,.1UF,+10%,-10%, 10V-DC,0402,X5R,-55DEG CMIN, 85DEG CMAX
C2214	2113946B04	CAP,CHIP,.1UF,+10%,-10%, 10V-DC,0402,X5R,-55DEG CMIN, 85DEG CMAX
C2215	2113946B04	CAP,CHIP,.1UF,+10%,-10%, 10V-DC,0402,X5R,-55DEG CMIN, 85DEG CMAX
C2216	2113946B04	CAP,CHIP,.1UF,+10%,-10%, 10V-DC,0402,X5R,-55DEG CMIN, 85DEG CMAX
C2301	NOT PLACED	-
C2302	NOT PLACED	-
C2303	NOT PLACED	-
C2304	NOT PLACED	-
C2305	NOT PLACED	-
C2306	NOT PLACED	-
C2307	NOT PLACED	-
C2308	NOT PLACED	-
C2309	NOT PLACED	-
C2310	NOT PLACED	-
C2311	NOT PLACED	-
C2312	NOT PLACED	-
C2313	NOT PLACED	-
C2314	NOT PLACED	-

Ref. Des.	Part Number	Description
C2315	NOT PLACED	-
C2316	NOT PLACED	-
C2317	NOT PLACED	-
C2318	NOT PLACED	-
C2319	NOT PLACED	-
C2320	NOT PLACED	-
C2321	NOT PLACED	-
C2322	NOT PLACED	-
C2323	2113944A46	CAP,CHIP,330PF,+5%,-10%, 50V-DC,0402,C0G,-55DEG CMIN,125DEG CMAX
C2324	2113944A46	CAP,CHIP,330PF,+5%,-10%, 50V-DC,0402,C0G,-55DEG CMIN,125DEG CMAX
C2325	2113944A46	CAP,CHIP,330PF,+5%,-10%, 50V-DC,0402,C0G,-55DEG CMIN,125DEG CMAX
C3001	NOT PLACED	-
C3002	NOT PLACED	-
C3003	NOT PLACED	-
C3004	NOT PLACED	-
C3005	NOT PLACED	-
C3006	NOT PLACED	-
C3007	NOT PLACED	-
C3008	NOT PLACED	-
C3009	NOT PLACED	-
C4001	2113946B04	CAP,CHIP,.1UF,+10%,-10%, 10V-DC,0402,X5R,-55DEG CMIN,85DEG CMAX
C4002	2113944A31	CAP,CHIP,33PF,+5%,-10%, 50V-DC,0402,C0G,-55DEG CMIN,125DEG CMAX,P
C4003	2113944A46	CAP,CHIP,330PF,+5%,-10%, 50V-DC,0402,C0G,-55DEG CMIN,125DEG CMAX
C4004	2113946B04	CAP,CHIP,.1UF,+10%,-10%, 10V-DC,0402,X5R,-55DEG CMIN,85DEG CMAX
C4005	2113946B04	CAP,CHIP,.1UF,+10%,-10%, 10V-DC,0402,X5R,-55DEG CMIN,85DEG CMAX
C4006	2113946B04	CAP,CHIP,.1UF,+10%,-10%, 10V-DC,0402,X5R,-55DEG CMIN,85DEG CMAX

Ref. Des.	Part Number	Description
C4007	2113946B04	CAP,CHIP,.1UF,+10%,-10%, 10V-DC,0402,X5R,-55DEG CMIN,85DEG CMAX
C5001	2113945A09	CAP,CHIP,1000PF,+10%,-10%, 50V-DC,0402,X7R,-55DEG CMIN,125DEG CM
C5002	2113945B02	CAP,CHIP,.01UF,+10%,-10%, 25V-DC,0402,X7R,-55DEG CMIN,125DEG CMA
C5003	2113946B04	CAP,CHIP,.1UF,+10%,-10%, 10V-DC,0402,X5R,-55DEG CMIN, 85DEG CMAX
C5004	2113956B33	CAP,FXD,2.2UF,+10%,-10%, 16V-DC,0603,X5R,-55DEG CMIN,85DEG CMAX
C5005	2113946B04	CAP,CHIP,.1UF,+10%,-10%, 10V-DC,0402,X5R,-55DEG CMIN, 85DEG CMAX
C5006	2113946B04	CAP,CHIP,.1UF,+10%,-10%, 10V-DC,0402,X5R,-55DEG CMIN, 85DEG CMAX
C5007	2113946B04	CAP,CHIP,.1UF,+10%,-10%, 10V-DC,0402,X5R,-55DEG CMIN, 85DEG CMAX
C5008	2113946B04	CAP,CHIP,.1UF,+10%,-10%, 10V-DC,0402,X5R,-55DEG CMIN, 85DEG CMAX
C5009	2113946B04	CAP,CHIP,.1UF,+10%,-10%, 10V-DC,0402,X5R,-55DEG CMIN, 85DEG CMAX
C5010	2113946B04	CAP,CHIP,.1UF,+10%,-10%, 10V-DC,0402,X5R,-55DEG CMIN, 85DEG CMAX
C5011	2113946B04	CAP,CHIP,.1UF,+10%,-10%, 10V-DC,0402,X5R,-55DEG CMIN, 85DEG CMAX
C5012	2113946B04	CAP,CHIP,.1UF,+10%,-10%, 10V-DC,0402,X5R,-55DEG CMIN, 85DEG CMAX
C5013	2113946B04	CAP,CHIP,.1UF,+10%,-10%, 10V-DC,0402,X5R,-55DEG CMIN, 85DEG CMAX
C5014	2113946B04	CAP,CHIP,.1UF,+10%,-10%, 10V-DC,0402,X5R,-55DEG CMIN, 85DEG CMAX
C5015	2113946B04	CAP,CHIP,.1UF,+10%,-10%, 10V-DC,0402,X5R,-55DEG CMIN, 85DEG CMAX

Ref. Des.	Part Number	Description
C5016	2113946B04	CAP,CHIP,.1UF,+10%,-10%, 10V-DC,0402,X5R,-55DEG CMIN, 85DEG CMAX
C5017	2113946B04	CAP,CHIP,.1UF,+10%,-10%, 10V-DC,0402,X5R,-55DEG CMIN, 85DEG CMAX
C5018	2113946B04	CAP,CHIP,.1UF,+10%,-10%, 10V-DC,0402,X5R,-55DEG CMIN, 85DEG CMAX
C5019	2113946B04	CAP,CHIP,.1UF,+10%,-10%, 10V-DC,0402,X5R,-55DEG CMIN, 85DEG CMAX
C5020	2113946B04	CAP,CHIP,.1UF,+10%,-10%, 10V-DC,0402,X5R,-55DEG CMIN, 85DEG CMAX
C5021	2113946B04	CAP,CHIP,.1UF,+10%,-10%, 10V-DC,0402,X5R,-55DEG CMIN, 85DEG CMAX
C5022	2113946B04	CAP,CHIP,.1UF,+10%,-10%, 10V-DC,0402,X5R,-55DEG CMIN, 85DEG CMAX
C5023	2113946B04	CAP,CHIP,.1UF,+10%,-10%, 10V-DC,0402,X5R,-55DEG CMIN, 85DEG CMAX
C5024	2113946B04	CAP,CHIP,.1UF,+10%,-10%, 10V-DC,0402,X5R,-55DEG CMIN, 85DEG CMAX
C5025	2113946B04	CAP,CHIP,.1UF,+10%,-10%, 10V-DC,0402,X5R,-55DEG CMIN, 85DEG CMAX
C5026	2113946B04	CAP,CHIP,.1UF,+10%,-10%, 10V-DC,0402,X5R,-55DEG CMIN, 85DEG CMAX
C5027	2113946B04	CAP,CHIP,.1UF,+10%,-10%, 10V-DC,0402,X5R,-55DEG CMIN, 85DEG CMAX
C5028	2113946B04	CAP,CHIP,.1UF,+10%,-10%, 10V-DC,0402,X5R,-55DEG CMIN, 85DEG CMAX
C6101	NOT PLACED	-
C6102	NOT PLACED	-
C6103	NOT PLACED	-
C6104	2113946B04	CAP,CHIP,.1UF,+10%,-10%, 10V-DC,0402,X5R,-55DEG CMIN, 85DEG CMAX

Ref. Des.	Part Number	Description
C6105	2113946B04	CAP,CHIP,.1UF,+10%,-10%, 10V-DC,0402,X5R,-55DEG CMIN, 85DEG CMAX
C6106	2113946B04	CAP,CHIP,.1UF,+10%,-10%, 10V-DC,0402,X5R,-55DEG CMIN, 85DEG CMAX
C6107	2113946B04	CAP,CHIP,.1UF,+10%,-10%, 10V-DC,0402,X5R,-55DEG CMIN, 85DEG CMAX
C6108	2113946B04	CAP,CHIP,.1UF,+10%,-10%, 10V-DC,0402,X5R,-55DEG CMIN, 85DEG CMAX
C6109	2113946B04	CAP,CHIP,.1UF,+10%,-10%, 10V-DC,0402,X5R,-55DEG CMIN, 85DEG CMAX
C6110	2113946B04	CAP,CHIP,.1UF,+10%,-10%, 10V-DC,0402,X5R,-55DEG CMIN, 85DEG CMAX
C6111	2113946B04	CAP,CHIP,.1UF,+10%,-10%, 10V-DC,0402,X5R,-55DEG CMIN, 85DEG CMAX
C6112	2113946B04	CAP,CHIP,.1UF,+10%,-10%, 10V-DC,0402,X5R,-55DEG CMIN, 85DEG CMAX
C6113	2113946B04	CAP,CHIP,.1UF,+10%,-10%, 10V-DC,0402,X5R,-55DEG CMIN, 85DEG CMAX
C6114	2113946B04	CAP,CHIP,.1UF,+10%,-10%, 10V-DC,0402,X5R,-55DEG CMIN, 85DEG CMAX
C6115	2113946B04	CAP,CHIP,.1UF,+10%,-10%, 10V-DC,0402,X5R,-55DEG CMIN, 85DEG CMAX
C6201	2113944A40	CAP,CHIP,100PF,+5%,-10%, 50V-DC,0402,C0G,-55DEG CMIN,125DEG CMAX
C6202	2113945A09	CAP,CHIP,1000PF,+10%,-10%, 50V-DC,0402,X7R,-55DEG CMIN,125DEG CM
C6203	2113946B04	CAP,CHIP,.1UF,+10%,-10%, 10V-DC,0402,X5R,-55DEG CMIN, 85DEG CMAX
C6301	2113946B04	CAP,CHIP,.1UF,+10%,-10%, 10V-DC,0402,X5R,-55DEG CMIN, 85DEG CMAX
C6302	2113946B04	CAP,CHIP,.1UF,+10%,-10%, 10V-DC,0402,X5R,-55DEG CMIN, 85DEG CMAX

Ref. Des.	Part Number	Description
C6303	2113946B04	CAP,CHIP,.1UF,+10%,-10%, 10V-DC,0402,X5R,-55DEG CMIN, 85DEG CMAX
C6304	2113946B04	CAP,CHIP,.1UF,+10%,-10%, 10V-DC,0402,X5R,-55DEG CMIN, 85DEG CMAX
C6305	2113946S35	CAP,CHIP,1UF,+10%,-10%, 16V-DC,0603,X5R,-55DEG CMIN, 85DEG CMAX,P
C6306	2113946S35	CAP,CHIP,1UF,+10%,-10%, 16V-DC,0603,X5R,-55DEG CMIN, 85DEG CMAX,P
C6307	2113946B04	CAP,CHIP,.1UF,+10%,-10%, 10V-DC,0402,X5R,-55DEG CMIN, 85DEG CMAX
C6308	2113946B04	CAP,CHIP,.1UF,+10%,-10%, 10V-DC,0402,X5R,-55DEG CMIN, 85DEG CMAX
C6309	2113946B04	CAP,CHIP,.1UF,+10%,-10%, 10V-DC,0402,X5R,-55DEG CMIN, 85DEG CMAX
C6310	2113946B04	CAP,CHIP,.1UF,+10%,-10%, 10V-DC,0402,X5R,-55DEG CMIN, 85DEG CMAX
C6311	2113946B04	CAP,CHIP,.1UF,+10%,-10%, 10V-DC,0402,X5R,-55DEG CMIN, 85DEG CMAX
C6401	NOT PLACED	-
C6402	2113956A51	CAP,FXD,1UF,+10%,-10%, 6.3V-DC,0402,X5R,-55DEG CMIN, 85DEG CMAX,P
C6403	2113946B04	CAP,CHIP,.1UF,+10%,-10%, 10V-DC,0402,X5R,-55DEG CMIN, 85DEG CMAX
C6404	2113946B04	CAP,CHIP,.1UF,+10%,-10%, 10V-DC,0402,X5R,-55DEG CMIN, 85DEG CMAX
C6405	NOT PLACED	-
C6406	2113946B04	CAP,CHIP,.1UF,+10%,-10%, 10V-DC,0402,X5R,-55DEG CMIN, 85DEG CMAX
C6407	2113946B04	CAP,CHIP,.1UF,+10%,-10%, 10V-DC,0402,X5R,-55DEG CMIN, 85DEG CMAX
C6408	2113946B04	CAP,CHIP,.1UF,+10%,-10%, 10V-DC,0402,X5R,-55DEG CMIN, 85DEG CMAX

Ref. Des.	Part Number	Description
C6409	NOT PLACED	-
C6410	2113946B04	CAP,CHIP,.1UF,+10%,-10%, 10V-DC,0402,X5R,-55DEG CMIN, 85DEG CMAX
C6411	2113946B04	CAP,CHIP,.1UF,+10%,-10%, 10V-DC,0402,X5R,-55DEG CMIN, 85DEG CMAX
C6412	NOT PLACED	-
C6413	2113946B04	CAP,CHIP,.1UF,+10%,-10%, 10V-DC,0402,X5R,-55DEG CMIN, 85DEG CMAX
C6414	2113946B04	CAP,CHIP,.1UF,+10%,-10%, 10V-DC,0402,X5R,-55DEG CMIN, 85DEG CMAX
C6415	NOT PLACED	-
C6416	2113945B04	CAP,FXD,.022UF,+10%,-10%, 25V-DC,0402,X7R,-55DEG CMIN,125DEG CMA
C6417	2113945B04	CAP,FXD,.022UF,+10%,-10%, 25V-DC,0402,X7R,-55DEG CMIN,125DEG CMA
C6418	2113946B04	CAP,CHIP,.1UF,+10%,-10%, 10V-DC,0402,X5R,-55DEG CMIN, 85DEG CMAX
C6419	2113946B04	CAP,CHIP,.1UF,+10%,-10%, 10V-DC,0402,X5R,-55DEG CMIN, 85DEG CMAX
C6420	2113945B04	CAP,FXD,.022UF,+10%,-10%, 25V-DC,0402,X7R,-55DEG CMIN,125DEG CMA
C6421	2113946B04	CAP,CHIP,.1UF,+10%,-10%, 10V-DC,0402,X5R,-55DEG CMIN, 85DEG CMAX
C6422	2113946C02	CAP,CHIP,.22UF,+10%,-10%, 10V-DC,0603,X5R,-55DEG CMIN,85DEG CMAX
C6423	2113946B04	CAP,CHIP,.1UF,+10%,-10%, 10V-DC,0402,X5R,-55DEG CMIN, 85DEG CMAX
C6424	2113944A40	CAP,CHIP,100PF,+5%,-10%, 50V-DC,0402,C0G,-55DEG CMIN,125DEG CMAX
C6425	2113944A40	CAP,CHIP,100PF,+5%,-10%, 50V-DC,0402,C0G,-55DEG CMIN,125DEG CMAX

Ref. Des.	Part Number	Description
C6426	2113945B02	CAP,CHIP,.01UF,+10%,-10%, 25V-DC,0402,X7R,-55DEG CMIN,125DEG CMA
C6427	2113944A50	CAP,CHIP,680PF,+5%,-10%, 50V-DC,0402,C0G,-55DEG CMIN,125DEG CMAX
C6428	2113944A40	CAP,CHIP,100PF,+5%,-10%, 50V-DC,0402,C0G,-55DEG CMIN,125DEG CMAX
C6429	NOT PLACED	-
C6430	2113946B04	CAP,CHIP,.1UF,+10%,-10%, 10V-DC,0402,X5R,-55DEG CMIN,85DEG CMAX
C6431	NOT PLACED	-
C6501	2113946B04	CAP,CHIP,.1UF,+10%,-10%, 10V-DC,0402,X5R,-55DEG CMIN,85DEG CMAX
C6502	2113946B04	CAP,CHIP,.1UF,+10%,-10%, 10V-DC,0402,X5R,-55DEG CMIN,85DEG CMAX
C6503	2113944A31	CAP,CHIP,33PF,+5%,-10%, 50V-DC,0402,C0G,-55DEG CMIN,125DEG CMAX,P
C6504	2113946B04	CAP,CHIP,.1UF,+10%,-10%, 10V-DC,0402,X5R,-55DEG CMIN,85DEG CMAX
C6505	2113946B04	CAP,CHIP,.1UF,+10%,-10%, 10V-DC,0402,X5R,-55DEG CMIN,85DEG CMAX
C6506	2113946B04	CAP,CHIP,.1UF,+10%,-10%, 10V-DC,0402,X5R,-55DEG CMIN,85DEG CMAX
C6507	2113946B04	CAP,CHIP,.1UF,+10%,-10%, 10V-DC,0402,X5R,-55DEG CMIN,85DEG CMAX
C6508	2113946B04	CAP,CHIP,.1UF,+10%,-10%, 10V-DC,0402,X5R,-55DEG CMIN,85DEG CMAX
C6509	2113946B04	CAP,CHIP,.1UF,+10%,-10%, 10V-DC,0402,X5R,-55DEG CMIN,85DEG CMAX
C6510	2113946B04	CAP,CHIP,.1UF,+10%,-10%, 10V-DC,0402,X5R,-55DEG CMIN,85DEG CMAX
C6511	2113946B04	CAP,CHIP,.1UF,+10%,-10%, 10V-DC,0402,X5R,-55DEG CMIN,85DEG CMAX

Ref. Des.	Part Number	Description
C6512	2113944A40	CAP,CHIP,100PF,+5%,-10%, 50V-DC,0402,C0G,-55DEG CMIN,125DEG CMAX
C6513	2113944A40	CAP,CHIP,100PF,+5%,-10%, 50V-DC,0402,C0G,-55DEG CMIN,125DEG CMAX
C6514	2113946S35	CAP,CHIP,1UF,+10%,-10%, 16V-DC,0603,X5R,-55DEG CMIN,85DEG CMAX,P
C6515	2113944A40	CAP,CHIP,100PF,+5%,-10%, 50V-DC,0402,C0G,-55DEG CMIN,125DEG CMAX
C6516	2113944A40	CAP,CHIP,100PF,+5%,-10%, 50V-DC,0402,C0G,-55DEG CMIN,125DEG CMAX
C6517	2113944A40	CAP,CHIP,100PF,+5%,-10%, 50V-DC,0402,C0G,-55DEG CMIN,125DEG CMAX
C6518	2113944A40	CAP,CHIP,100PF,+5%,-10%, 50V-DC,0402,C0G,-55DEG CMIN,125DEG CMAX
C6519	2113946S35	CAP,CHIP,1UF,+10%,-10%, 16V-DC,0603,X5R,-55DEG CMIN,85DEG CMAX,P
C6520	2113946S35	CAP,CHIP,1UF,+10%,-10%, 16V-DC,0603,X5R,-55DEG CMIN,85DEG CMAX,P
C6521	2113944A31	CAP,CHIP,33PF,+5%,-10%, 50V-DC,0402,C0G,-55DEG CMIN,125DEG CMAX,P
C6522	2113946S35	CAP,CHIP,1UF,+10%,-10%, 16V-DC,0603,X5R,-55DEG CMIN,85DEG CMAX,P
C6523	2113946S35	CAP,CHIP,1UF,+10%,-10%, 16V-DC,0603,X5R,-55DEG CMIN,85DEG CMAX,P
C6524	2113946B04	CAP,CHIP,.1UF,+10%,-10%, 10V-DC,0402,X5R,-55DEG CMIN,85DEG CMAX
C6525	2113946S35	CAP,CHIP,1UF,+10%,-10%, 16V-DC,0603,X5R,-55DEG CMIN,85DEG CMAX,P
C6526	2113946S35	CAP,CHIP,1UF,+10%,-10%, 16V-DC,0603,X5R,-55DEG CMIN,85DEG CMAX,P
C6527	2113946B04	CAP,CHIP,.1UF,+10%,-10%, 10V-DC,0402,X5R,-55DEG CMIN,85DEG CMAX

Ref. Des.	Part Number	Description
C6528	2113946S35	CAP,CHIP,1UF,+10%,-10%, 16V-DC,0603,X5R,-55DEG CMIN,85DEG CMAX,P
C6529	2113946S35	CAP,CHIP,1UF,+10%,-10%, 16V-DC,0603,X5R,-55DEG CMIN,85DEG CMAX,P
C6530	2113946S35	CAP,CHIP,1UF,+10%,-10%, 16V-DC,0603,X5R,-55DEG CMIN,85DEG CMAX,P
C6531	2113946B04	CAP,CHIP,.1UF,+10%,-10%, 10V-DC,0402,X5R,-55DEG CMIN,85DEG CMAX
C6532	2113946S35	CAP,CHIP,1UF,+10%,-10%, 16V-DC,0603,X5R,-55DEG CMIN,85DEG CMAX,P
C6534	2113956B33	CAP,FXD,2.2UF,+10%,-10%, 16V-DC,0603,X5R,-55DEG CMIN,85DEG CMAX
C6535	2113743N50	CAP,CHIP,100PF,+5%,-10%, 16V-DC,0402,C0G,-55DEG CMIN,125DEG CMAX
C6536	2113944A28	CAP,CHIP,18PF,+5%,-10%, 50V-DC,0402,C0G,-55DEG CMIN,125DEG CMAX,P
C6537	2113944A19	CAP,CHIP,5.6PF,.5PF+/-,50V-DC,0402,C0G,-55DEG CMIN,125DEG CMAX
C6538	2113956B33	CAP,FXD,2.2UF,+10%,-10%, 16V-DC,0603,X5R,-55DEG CMIN,85DEG CMAX
C6539	2113956B33	CAP,FXD,2.2UF,+10%,-10%, 16V-DC,0603,X5R,-55DEG CMIN,85DEG CMAX
C6540	2113945A09	CAP,CHIP,1000PF,+10%,-10%, 50V-DC,0402,X7R,-55DEG CMIN,125DEG CM
C6541	2113944A19	CAP,CHIP,5.6PF,.5PF+/-,50V-DC,0402,C0G,-55DEG CMIN,125DEG CMAX
C6542	2113946B04	CAP,CHIP,.1UF,+10%,-10%, 10V-DC,0402,X5R,-55DEG CMIN,85DEG CMAX
C6543	2113946B04	CAP,CHIP,.1UF,+10%,-10%, 10V-DC,0402,X5R,-55DEG CMIN,85DEG CMAX
C6544	2113946B04	CAP,CHIP,.1UF,+10%,-10%, 10V-DC,0402,X5R,-55DEG CMIN,85DEG CMAX

Ref. Des.	Part Number	Description
C6545	2113945D04	CAP,CHIP,.1UF,+10%,-10%, 25V-DC,0603,X7R,-55DEG CMIN,125DEG CMAX
C6546	2113946B04	CAP,CHIP,.1UF,+10%,-10%, 10V-DC,0402,X5R,-55DEG CMIN,85DEG CMAX
C6547	NOT PLACED	-
C6548	NOT PLACED	-
C6549	NOT PLACED	-
C6550	2113945D04	CAP,CHIP,.1UF,+10%,-10%, 25V-DC,0603,X7R,-55DEG CMIN,125DEG CMAX
C6551	2113945D04	CAP,CHIP,.1UF,+10%,-10%, 25V-DC,0603,X7R,-55DEG CMIN,125DEG CMAX
C6552	2113956E91	CAP,FXD,10UF,+10%,-10%, 16V-DC,1210,X5R,-55DEG CMIN,85DEG CMAX,P
C6553	2113956E91	CAP,FXD,10UF,+10%,-10%, 16V-DC,1210,X5R,-55DEG CMIN,85DEG CMAX,P
C6554	2113946B04	CAP,CHIP,.1UF,+10%,-10%, 10V-DC,0402,X5R,-55DEG CMIN,85DEG CMAX
C6555	2113955D45	CAP,FXD,4.7UF,+10%,-10%, 10V-DC,1206,X7R,-55DEG CMIN,125DEG CMAX
C6556	2113956E91	CAP,FXD,10UF,+10%,-10%, 16V-DC,1210,X5R,-55DEG CMIN,85DEG CMAX,P
C6557	2113945D04	CAP,CHIP,.1UF,+10%,-10%, 25V-DC,0603,X7R,-55DEG CMIN,125DEG CMAX
C6558	2113944A21	CAP,CHIP,6.8PF,.5PF+/-,50V-DC,0402,C0G,-55DEG CMIN,125DEG CMAX
C6559	2113946S35	CAP,CHIP,1UF,+10%,-10%, 16V-DC,0603,X5R,-55DEG CMIN,85DEG CMAX,P
C6560	2113956E91	CAP,FXD,10UF,+10%,-10%, 16V-DC,1210,X5R,-55DEG CMIN,85DEG CMAX,P
C6561	2113956E91	CAP,FXD,10UF,+10%,-10%, 16V-DC,1210,X5R,-55DEG CMIN,85DEG CMAX,P

Ref. Des.	Part Number	Description
C6562	2113944A25	CAP,CHIP,10PF,.5PF+/-,50V-DC,0402,C0G,-55DEG CMIN,125DEG CMAX
C6563	NOT PLACED	-
C6564	NOT PLACED	-
C6565	2113956B33	CAP,FXD,2.2UF,+10%,-10%,16V-DC,0603,X5R,-55DEG CMIN,85DEG CMAX
C6566	2113956E91	CAP,FXD,10UF,+10%,-10%,16V-DC,1210,X5R,-55DEG CMIN,85DEG CMAX,P
C6567	2113956E91	CAP,FXD,10UF,+10%,-10%,16V-DC,1210,X5R,-55DEG CMIN,85DEG CMAX,P
C6568	NOT PLACED	-
C6569	2113956E91	CAP,FXD,10UF,+10%,-10%,16V-DC,1210,X5R,-55DEG CMIN,85DEG CMAX,P
C6570	NOT PLACED	-
C6571	2113956E91	CAP,FXD,10UF,+10%,-10%,16V-DC,1210,X5R,-55DEG CMIN,85DEG CMAX,P
C6572	NOT PLACED	-
C6573	2113946S35	CAP,CHIP,1UF,+10%,-10%,16V-DC,0603,X5R,-55DEG CMIN,85DEG CMAX,P
C6574	2113946S35	CAP,CHIP,1UF,+10%,-10%,16V-DC,0603,X5R,-55DEG CMIN,85DEG CMAX,P
C6575	2113946S35	CAP,CHIP,1UF,+10%,-10%,16V-DC,0603,X5R,-55DEG CMIN,85DEG CMAX,P
C6576	2113956B33	CAP,FXD,2.2UF,+10%,-10%,16V-DC,0603,X5R,-55DEG CMIN,85DEG CMAX
C6577	2113946S35	CAP,CHIP,1UF,+10%,-10%,16V-DC,0603,X5R,-55DEG CMIN,85DEG CMAX,P
C6578	2113946S35	CAP,CHIP,1UF,+10%,-10%,16V-DC,0603,X5R,-55DEG CMIN,85DEG CMAX,P
C6579	2113946S35	CAP,CHIP,1UF,+10%,-10%,16V-DC,0603,X5R,-55DEG CMIN,85DEG CMAX,P
C6580	2113946S35	CAP,CHIP,1UF,+10%,-10%,16V-DC,0603,X5R,-55DEG CMIN,85DEG CMAX,P

Ref. Des.	Part Number	Description
C6581	2113956B33	CAP,FXD,2.2UF,+10%,-10%,16V-DC,0603,X5R,-55DEG CMIN,85DEG CMAX
C6582	2113944A21	CAP,CHIP,6.8PF,.5PF+/-,50V-DC,0402,C0G,-55DEG CMIN,125DEG CMAX
C6583	2113944A21	CAP,CHIP,6.8PF,.5PF+/-,50V-DC,0402,C0G,-55DEG CMIN,125DEG CMAX
C6584	2113956C37	CAP,FXD,10UF,+10%,-10%,16V-DC,0805,X5R,-55DEG CMIN,85DEG CMAX,P
C6585	2113956C37	CAP,FXD,10UF,+10%,-10%,16V-DC,0805,X5R,-55DEG CMIN,85DEG CMAX,P
C6586	2113956C35	CAP,FXD,4.7UF,+10%,-10%,16V-DC,0805,X5R,-55DEG CMIN,85DEG CMAX
C6587	2113956C35	CAP,FXD,4.7UF,+10%,-10%,16V-DC,0805,X5R,-55DEG CMIN,85DEG CMAX
C6588	NOT PLACED	-
C6589	NOT PLACED	-
C6591	2113944A28	CAP,CHIP,18PF,+5%,-10%,50V-DC,0402,C0G,-55DEG CMIN,125DEG CMAX,P
C6592	2113944A09	CAP,CHIP,2.2PF,.25PF+/-,50V-DC,0402,C0G,-55DEG CMIN,125DEG CMA
C6594	2113946C07	CAP,FXD,.33UF,+10%,-10%,10V-DC,0603,X5R,-55DEG CMIN,85DEG CMAX
C6601	2113944A28	CAP,CHIP,18PF,+5%,-10%,50V-DC,0402,C0G,-55DEG CMIN,125DEG CMAX,P
C6602	2113944A28	CAP,CHIP,18PF,+5%,-10%,50V-DC,0402,C0G,-55DEG CMIN,125DEG CMAX,P
D2201	NOT PLACED	-
D2202	4870359B01	DIODE,SUPR,SM,7.82V,.1W,PROT,V360
D2203	4870359B01	DIODE,SUPR,SM,7.82V,.1W,ESD PROT,V360
D2204	4870359B01	DIODE,SUPR,SM,7.82V,.1W,ESD PROT,V360

Ref. Des.	Part Number	Description
D4001	4813978A25	DIODE,SWG,BAT54,SM,SOD-323/SC-76,200MA,30V,.2W,SHTK,PB-FREE, W18
D5001	4871785H01	DIODE,SWG,BAS116LT1G,SOT-23/SC-59,SOT-23,200MA,75V,.225W,SWG DI
D6101	4813978A25	DIODE,SWG,BAT54,SM,SOD-323/SC-76,200MA,30V,.2W,SHTK,PB-FREE, W18
D6301	4813978A25	DIODE,SWG,BAT54,SM,SOD-323/SC-76,200MA,30V,.2W,SHTK,PB-FREE, W18
D6401	4813978A25	DIODE,SWG,BAT54,SM,SOD-323/SC-76,200MA,30V,.2W,SHTK,PB-FREE, W18
D6501	4813978A25	DIODE,SWG,BAT54,SM,SOD-323/SC-76,200MA,30V,.2W,SHTK,PB-FREE, W18
E2101	NOT PLACED	-
E2102	NOT PLACED	-
E2103	NOT PLACED	-
E2104	NOT PLACED	-
E2105	NOT PLACED	-
E2106	NOT PLACED	-
E2107	NOT PLACED	-
E6501	2480067M02	FIXED INDUCTOR,FXD,200MA,.4OHM,FERR,0805,CHK RF CHIP BE
E6502	2480067M02	FIXED INDUCTOR,FXD,200MA,.4OHM,FERR,0805,CHK RF CHIP BE
FL3001	9171966H01	EMI FILTER,DATA LINE,8CH EMI FILTER/ ESD PROT
FL3002	9171966H01	EMI FILTER,DATA LINE,8CH EMI FILTER/ ESD PROT
J1001	0987817K05	CONN,M,40CONT,SM,.5MM PITCH 1.5 STACK HT
J2101	0975595B02	CONN,BTB,2 ROW,RCPT,50CONT,5MM,ST,LOPRO,RECEPTACLE, 50 PIN
J2301	0975595B05	CONN,F,60CONT, RECEPTACLE, 60 PIN
J3001	0909474T10	RECP INTBD 60CKT 4MM .5MM SMD
J4001	0909474T10	RECP INTBD 60CKT 4MM .5MM SMD

Ref. Des.	Part Number	Description
L1001	NOT PLACED	-
L2201	NOT PLACED	-
L2202	2415429H45	IDCTR,WW,270NH,5%,170MA,CER,SM,CHIP
L2203	2415429H45	IDCTR,WW,270NH,5%,170MA,CER,SM,CHIP
L2204	2415429H45	IDCTR,WW,270NH,5%,170MA,CER,SM,CHIP
L4001	NOT PLACED	-
L4002	2475262H01	IDCTR,FXD,4.7UH,20%,1.1A,.15OHM,CER,180MHZ SRF,SM,1008,TAIY
L6501	2471749H01	IDCTR,PWR,560NH,SM,INDUCTOR,SMT,PWR,.56 UH,SHIELDED
L6502	2471678H01	IDCTR,10UH,20%,FERR,10UH INDCUTOR
L6503	2488409T03	CHIP INDUCTOR,FXD,180NH,5%,1.3A,FERR,SM
L6504	2471962H04	IDCTR,PWR,10UH,20%,FERR,SM,SHLD IDCTR
L6505	2471678H01	IDCTR,10UH,20%,FERR,10UH INDCUTOR
L6506	2471678H01	IDCTR,10UH,20%,FERR,10UH INDCUTOR
M6401	3975252H01	1CONT,CONTACT, MIC
M6402	3975252H01	1CONT,CONTACT, MIC
M6501	3987977Y04	CONT,CONN,1CONT,ANT UNIV 4.5MM,UC 1.8
M6502	0985888K02	BATTERY CONNECTOR,SKT,NI,LEAP
P5001	3971831H01	CONT,CONTACT, POGO HDR
P6401	3971831H02	CONT,CONTACT, 2 POGO HDR
Q2201	4809523E05	XSTR,FET GP PWR,MOSFET/SCHOTTKY DIODE,P-CH, FDFMA2P857,SM,20V
Q4001	4815261H01	XSTR,BIP GP SS,NPN, DTC114Y,SC-59,SC-59,SMT3,50V,100MA,250MHZ
Q5001	4888795V06	XSTR,FET GP PWR,MOSFET,SM,SMT,20V,.25W,LEAD-FREE
Q5002	4888795V06	XSTR,FET GP PWR,MOSFET,SM,SMT,20V,.25W,LEAD-FREE

Ref. Des.	Part Number	Description
Q6101	4815261H01	XSTR,BIP GP SS,NPN, DTC114Y,SC-59,SC-59,SMT3, 50V,100MA,250MHZ
Q6401	4888795V06	XSTR,FET GP PWR,MOSFET, SM,SMT,20V,.25W,LEAD-FREE
Q6501	4813970A62	XSTR,FET GP PWR,MOSFET, P- CH,ENHN,CF,-20V,1.3W, PB-FREE
Q6502	4805585Q23	XSTR,FET GEN PURPOSE SMALL SIG,TRENCHFET,P, SM, BGA,SMT,-20V,1.4
Q6503	4805585Q23	XSTR,FET GEN PURPOSE SMALL SIG,TRENCHFET,P, SM, BGA,SMT,-20V,1.4
Q6504	4809579E77	XSTR,FET GP SS,MOSFET, N-CH,SM,30V,1.2X1.2MM PKG W18 COMP
Q6505	4813970A62	XSTR,FET GP PWR,MOSFET, P- CH,ENHN,CF,-20V,1.3W,PB- FREE
Q6506	4809579E77	XSTR,FET GP SS,MOSFET, N-CH,SM,30V,1.2X1.2MM PKG W18 COMP
Q6507	4888795V06	XSTR,FET GP PWR,MOSFET, SM,SMT,20V,.25W,LEAD-FREE
R1001	0613952R66	RES,MF,0OHM,5%,.0625W,SM, 0402,PB-FREE
R1002	0613952R66	RES,MF,0OHM,5%,.0625W,SM, 0402,PB-FREE
R1003	0613952Q37	RES,MF,33OHM,5%,.0625W,SM,0 402,200PPM/CEL,PB-FREE
R1004	0613952Q51	RES,MF,120,5,.0625,SM,0402, 200,PB-FREE
R1005	0613952Q59	RES,MF,270OHM,5%,.0625W, SM,0402,200PPM/CEL,PB-FREE
R1006	0613952Q59	RES,MF,270OHM,5%,.0625W, SM,0402,200PPM/CEL,PB-FREE
R1007	0613952Q56	RES,MF,200OHM,5%,.0625W, SM,0402,200PPM/CEL,PB-FREE
R1008	0613952Q56	RES,MF,200OHM,5%,.0625W, SM,0402,200PPM/CEL,PB-FREE
R1010	0613952R01	RES,MF,10KOHM,5%,.0625W, SM,0402,200PPM/CEL,PB-FREE
R1011	0613952Q89	RES,MF,4700,5,.0625,SM,0402, 200,PB-FREE

Ref. Des.	Part Number	Description
R1012	0613952R01	RES,MF,10KOHM,5%,.0625W, SM,0402,200PPM/CEL,PB-FREE
R1013	NOT PLACED	-
R1014	0613952R66	RES,MF,0OHM,5%,.0625W,SM, 0402,PB-FREE
R1015	NOT PLACED	-
R1016	0613952R66	RES,MF,0OHM,5%,.0625W,SM, 0402,PB-FREE
R1017	0613952Q41	RES,MF,47OHM,5%,.0625W,SM,0 402,200PPM/CEL,PB-FREE
R1018	0613952R01	RES,MF,10KOHM,5%,.0625W, SM,0402,200PPM/CEL,PB-FREE
R2101	0613952R66	RES,MF,0OHM,5%,.0625W,SM, 0402,PB-FREE
R2102	0613952R66	RES,MF,0OHM,5%,.0625W,SM, 0402,PB-FREE
R2103	0613952R66	RES,MF,0OHM,5%,.0625W,SM, 0402,PB-FREE
R2104	0613952Q89	RES,MF,4700,5,.0625,SM,0402, 200,PB-FREE
R2105	0613952Q89	RES,MF,4700,5,.0625,SM,0402, 200,PB-FREE
R2106	NOT PLACED	-
R2107	0613952Q73	RES,MF,1KOHM,5%,.0625W,SM, 0402,200PPM/CEL,PB-FREE
R2108	0613952R01	RES,MF,10KOHM,5%,.0625W, SM,0402,200PPM/CEL,PB-FREE
R2109	0613952Q25	RES,MF,10,5,.0625,SM,0402, 200, PB-FREE
R2110	0613952Q33	RES,MF,22,5,.0625,SM,0402, 200,PB-FREE
R2111	0613952Q25	RES,MF,10,5,.0625,SM,0402, 200,PB-FREE
R2112	0613952Q25	RES,MF,10,5,.0625,SM,0402, 200,PB-FREE
R2113	0613952Q25	RES,MF,10,5,.0625,SM,0402, 200,PB-FREE
R2114	0613952Q33	RES,MF,22,5,.0625,SM,0402, 200,PB-FREE
R2115	0613952Q25	RES,MF,10,5,.0625,SM,0402, 200,PB-FREE
R2116	0613952R01	RES,MF,10KOHM,5%,.0625W, SM,0402,200PPM/CEL,PB-FREE
R2117	0613952R01	RES,MF,10KOHM,5%,.0625W, SM,0402,200PPM/CEL,PB-FREE

Ref. Des.	Part Number	Description
R2118	0613952R01	RES,MF,10KOHM,5%,.0625W, SM,0402,200PPM/CEL,PB-FREE
R2119	0613952R01	RES,MF,10KOHM,5%,.0625W, SM,0402,200PPM/CEL,PB-FREE
R2120	0613952R01	RES,MF,10KOHM,5%,.0625W, SM,0402,200PPM/CEL,PB-FREE
R2121	NOT PLACED	-
R2122	0613952R01	RES,MF,10KOHM,5%,.0625W, SM,0402,200PPM/CEL,PB-FREE
R2123	0613952R01	RES,MF,10KOHM,5%,.0625W, SM,0402,200PPM/CEL,PB-FREE
R2124	0613952R01	RES,MF,10KOHM,5%,.0625W, SM,0402,200PPM/CEL,PB-FREE
R2125	0613952R01	RES,MF,10KOHM,5%,.0625W, SM,0402,200PPM/CEL,PB-FREE
R2126	0613952R01	RES,MF,10KOHM,5%,.0625W, SM,0402,200PPM/CEL,PB-FREE
R2127	0613952Q73	RES,MF,1KOHM,5%,.0625W,SM, 0402,200PPM/CEL,PB-FREE
R2128	0613952Q73	RES,MF,1KOHM,5%,.0625W,SM, 0402,200PPM/CEL,PB-FREE
R2129	0613952Q73	RES,MF,1KOHM,5%,.0625W,SM, 0402,200PPM/CEL,PB-FREE
R2130	0613952Q73	RES,MF,1KOHM,5%,.0625W,SM, 0402,200PPM/CEL,PB-FREE
R2131	0613952R01	RES,MF,10KOHM,5%,.0625W, SM,0402,200PPM/CEL,PB-FREE
R2132	0613952R01	RES,MF,10KOHM,5%,.0625W, SM,0402,200PPM/CEL,PB-FREE
R2133	0613952Q73	RES,MF,1KOHM,5%,.0625W,SM, 0402,200PPM/CEL,PB-FREE
R2134	0613952Q73	RES,MF,1KOHM,5%,.0625W,SM, 0402,200PPM/CEL,PB-FREE
R2135	0613952Q73	RES,MF,1KOHM,5%,.0625W,SM, 0402,200PPM/CEL,PB-FREE
R2201	0613952R32	RES,MF,200KOHM,5%,.0625W, SM,0402,200PPM/CEL,PB-FREE
R2202	0613952R25	RES,MF,100KOHM,5%,.0625W, SM,0402,200PPM/CEL,PB-FREE
R2203	0613952R66	RES,MF,0OHM,5%,.0625W,SM, 0402,PB-FREE
R2204	0613952Q85	RES,MF,3.3KOHM,5%,.0625W, SM,0402,200PPM/CEL,PB-FREE
R2205	0613952R66	RES,MF,0OHM,5%,.0625W,SM, 0402,PB-FREE

Ref. Des.	Part Number	Description
R2206	0613952Q85	RES,MF,3.3KOHM,5%,.0625W, SM,0402,200PPM/CEL,PB-FREE
R2207	0613952R66	RES,MF,0OHM,5%,.0625W,SM, 0402,PB-FREE
R2208	0613952R66	RES,MF,0OHM,5%,.0625W,SM, 0402,PB-FREE
R2212	0613952R66	RES,MF,0OHM,5%,.0625W,SM, 0402,PB-FREE
R2213	0613952R66	RES,MF,0OHM,5%,.0625W,SM, 0402,PB-FREE
R2214	0613952R66	RES,MF,0OHM,5%,.0625W,SM, 0402,PB-FREE
R2215	0613952Q64	RES,MF,430OHM,5%,.0625W, SM,0402,200PPM/CEL,PB-FREE
R2216	0613952R66	RES,MF,0OHM,5%,.0625W,SM, 0402,PB-FREE
R2217	NOT PLACED	-
R2218	NOT PLACED	-
R2219	NOT PLACED	-
R2220	NOT PLACED	-
R2221	NOT PLACED	-
R2222	NOT PLACED	-
R2223	NOT PLACED	-
R2224	NOT PLACED	-
R2225	NOT PLACED	-
R2226	NOT PLACED	-
R2227	NOT PLACED	-
R2228	NOT PLACED	-
R2229	NOT PLACED	-
R2230	NOT PLACED	-
R2301	0613952R66	RES,MF,0OHM,5%,.0625W,SM, 0402,PB-FREE
R2302	0613952R66	RES,MF,0OHM,5%,.0625W,SM, 0402,PB-FREE
R2303	0613952Q35	RES,MF,27OHM,5%,.0625W,SM,0 402,200PPM/CEL,PB-FREE
R2304	0613952Q35	RES,MF,27OHM,5%,.0625W,SM,0 402,200PPM/CEL,PB-FREE
R2305	0613952Q35	RES,MF,27OHM,5%,.0625W,SM,0 402,200PPM/CEL,PB-FREE
R2306	0613952Q35	RES,MF,27OHM,5%,.0625W,SM,0 402,200PPM/CEL,PB-FREE

Ref. Des.	Part Number	Description
R2307	0613952Q35	RES,MF,27OHM,5%,.0625W,SM,0402,200PPM/CEL,PB-FREE
R2308	0613952Q35	RES,MF,27OHM,5%,.0625W,SM,0402,200PPM/CEL,PB-FREE
R2309	0613952Q35	RES,MF,27OHM,5%,.0625W,SM,0402,200PPM/CEL,PB-FREE
R2310	0613952Q35	RES,MF,27OHM,5%,.0625W,SM,0402,200PPM/CEL,PB-FREE
R2311	0613952Q35	RES,MF,27OHM,5%,.0625W,SM,0402,200PPM/CEL,PB-FREE
R2312	0613952Q35	RES,MF,27OHM,5%,.0625W,SM,0402,200PPM/CEL,PB-FREE
R2313	0613952Q35	RES,MF,27OHM,5%,.0625W,SM,0402,200PPM/CEL,PB-FREE
R2314	0613952Q35	RES,MF,27OHM,5%,.0625W,SM,0402,200PPM/CEL,PB-FREE
R2315	0613952Q35	RES,MF,27OHM,5%,.0625W,SM,0402,200PPM/CEL,PB-FREE
R2316	0613952Q35	RES,MF,27OHM,5%,.0625W,SM,0402,200PPM/CEL,PB-FREE
R2317	0613952Q35	RES,MF,27OHM,5%,.0625W,SM,0402,200PPM/CEL,PB-FREE
R2318	0613952Q35	RES,MF,27OHM,5%,.0625W,SM,0402,200PPM/CEL,PB-FREE
R2319	0613952Q35	RES,MF,27OHM,5%,.0625W,SM,0402,200PPM/CEL,PB-FREE
R2320	0613952Q35	RES,MF,27OHM,5%,.0625W,SM,0402,200PPM/CEL,PB-FREE
R2321	0613952Q35	RES,MF,27OHM,5%,.0625W,SM,0402,200PPM/CEL,PB-FREE
R2322	0613952Q35	RES,MF,27OHM,5%,.0625W,SM,0402,200PPM/CEL,PB-FREE
R2323	0613952Q35	RES,MF,27OHM,5%,.0625W,SM,0402,200PPM/CEL,PB-FREE
R2324	0613952Q35	RES,MF,27OHM,5%,.0625W,SM,0402,200PPM/CEL,PB-FREE
R2325	0613952R66	RES,MF,0OHM,5%,.0625W,SM,0402,PB-FREE
R2326	0613952R66	RES,MF,0OHM,5%,.0625W,SM,0402,PB-FREE
R2327	0613952R66	RES,MF,0OHM,5%,.0625W,SM,0402,PB-FREE
R2328	0613952R66	RES,MF,0OHM,5%,.0625W,SM,0402,PB-FREE

Ref. Des.	Part Number	Description
R2329	0613952R01	RES,MF,10KOHM,5%,.0625W,SM,0402,200PPM/CEL,PB-FREE
R2330	0613952R01	RES,MF,10KOHM,5%,.0625W,SM,0402,200PPM/CEL,PB-FREE
R2331	0613952R01	RES,MF,10KOHM,5%,.0625W,SM,0402,200PPM/CEL,PB-FREE
R2332	0613952R01	RES,MF,10KOHM,5%,.0625W,SM,0402,200PPM/CEL,PB-FREE
R2333	0613952R01	RES,MF,10KOHM,5%,.0625W,SM,0402,200PPM/CEL,PB-FREE
R2334	NOT PLACED	-
R3001	0613952R66	RES,MF,0OHM,5%,.0625W,SM,0402,PB-FREE
R3002	NOT PLACED	-
R3003	0613952R66	RES,MF,0OHM,5%,.0625W,SM,0402,PB-FREE
R3004	0613952R66	RES,MF,0OHM,5%,.0625W,SM,0402,PB-FREE
R3005	0613952R66	RES,MF,0OHM,5%,.0625W,SM,0402,PB-FREE
R3006	0613952R66	RES,MF,0OHM,5%,.0625W,SM,0402,PB-FREE
R3007	0613952R66	RES,MF,0OHM,5%,.0625W,SM,0402,PB-FREE
R3008	0613952R66	RES,MF,0OHM,5%,.0625W,SM,0402,PB-FREE
R3009	0613952R66	RES,MF,0OHM,5%,.0625W,SM,0402,PB-FREE
R3010	0613952R66	RES,MF,0OHM,5%,.0625W,SM,0402,PB-FREE
R3011	0613952R66	RES,MF,0OHM,5%,.0625W,SM,0402,PB-FREE
R3012	0613952R66	RES,MF,0OHM,5%,.0625W,SM,0402,PB-FREE
R3013	0613952R66	RES,MF,0OHM,5%,.0625W,SM,0402,PB-FREE
R3014	0613952R66	RES,MF,0OHM,5%,.0625W,SM,0402,PB-FREE
R3015	0613952R66	RES,MF,0OHM,5%,.0625W,SM,0402,PB-FREE
R3016	0613952R66	RES,MF,0OHM,5%,.0625W,SM,0402,PB-FREE
R3017	0613952R66	RES,MF,0OHM,5%,.0625W,SM,0402,PB-FREE

Ref. Des.	Part Number	Description
R3018	0613952R66	RES,MF,0OHM,5%,.0625W,SM,0402,PB-FREE
R3019	0613952R66	RES,MF,0OHM,5%,.0625W,SM,0402,PB-FREE
R3020	0613952R66	RES,MF,0OHM,5%,.0625W,SM,0402,PB-FREE
R3021	0613952R66	RES,MF,0OHM,5%,.0625W,SM,0402,PB-FREE
R4001	0613952R66	RES,MF,0OHM,5%,.0625W,SM,0402,PB-FREE
R4002	0613952R01	RES,MF,10KOHM,5%,.0625W,SM,0402,200PPM/CEL,PB-FREE
R4003	0613952R01	RES,MF,10KOHM,5%,.0625W,SM,0402,200PPM/CEL,PB-FREE
R4004	0613952R01	RES,MF,10KOHM,5%,.0625W,SM,0402,200PPM/CEL,PB-FREE
R4005	0613952R01	RES,MF,10KOHM,5%,.0625W,SM,0402,200PPM/CEL,PB-FREE
R4006	0613952R01	RES,MF,10KOHM,5%,.0625W,SM,0402,200PPM/CEL,PB-FREE
R4007	0613952R01	RES,MF,10KOHM,5%,.0625W,SM,0402,200PPM/CEL,PB-FREE
R4008	0613952R01	RES,MF,10KOHM,5%,.0625W,SM,0402,200PPM/CEL,PB-FREE
R4009	0613952Q85	RES,MF,3.3KOHM,5%,.0625W,SM,0402,200PPM/CEL,PB-FREE
R4010	0613952R32	RES,MF,200KOHM,5%,.0625W,SM,0402,200PPM/CEL,PB-FREE
R4011	0613952R17	RES,MF,47000,5,.0625,SM,0402,200,PB-FREE
R4012	0613952R09	RES,MF,22000,5,.0625,SM,0402,200,PB-FREE
R4013	0613952R09	RES,MF,22000,5,.0625,SM,0402,200,PB-FREE
R4014	0613952Q85	RES,MF,3.3KOHM,5%,.0625W,SM,0402,200PPM/CEL,PB-FREE
R5001	0613952R09	RES,MF,22000,5,.0625,SM,0402,200,PB-FREE
R5002	0613952R09	RES,MF,22000,5,.0625,SM,0402,200,PB-FREE
R5003	NOT PLACED	-
R5004	0613952Q75	RES,MF,1.2KOHM,5%,.0625W,SM,0402,200PPM/CEL,PB-FREE
R5005	0613952R49	RES,MF,1MOHM,5%,.0625W,SM,0402,200PPM/CEL,PB-FREE

Ref. Des.	Part Number	Description
R5006	0613952R01	RES,MF,10KOHM,5%,.0625W,SM,0402,200PPM/CEL,PB-FREE
R5007	0613952R66	RES,MF,0OHM,5%,.0625W,SM,0402,PB-FREE
R5008	0613952R66	RES,MF,0OHM,5%,.0625W,SM,0402,PB-FREE
R5009	0613952R66	RES,MF,0OHM,5%,.0625W,SM,0402,PB-FREE
R5010	0613952Q80	RES,MF,2KOHM,5%,.0625W,SM,0402,200PPM/CEL,PB-FREE
R5011	0613952R66	RES,MF,0OHM,5%,.0625W,SM,0402,PB-FREE
R5012	NOT PLACED	-
R5013	NOT PLACED	-
R5014	0613952R01	RES,MF,10KOHM,5%,.0625W,SM,0402,200PPM/CEL,PB-FREE
R5015	0613952R09	RES,MF,22000,5,.0625,SM,0402,200,PB-FREE
R5016	0613952R74	RES,MF,10MOHM,5%,.0625W,SM,0402,400PPM/CEL,PB-FREE
R5017	0613952R74	RES,MF,10MOHM,5%,.0625W,SM,0402,400PPM/CEL,PB-FREE
R5018	0613952R49	RES,MF,1MOHM,5%,.0625W,SM,0402,200PPM/CEL,PB-FREE
R5019	0613952P30	RES,MF,200000,1,.0625,SM,0402,200,PB-FREE
R5020	0613952P30	RES,MF,200000,1,.0625,SM,0402,200,PB-FREE
R5021	0613952R66	RES,MF,0OHM,5%,.0625W,SM,0402,PB-FREE
R5022	0613952R66	RES,MF,0OHM,5%,.0625W,SM,0402,PB-FREE
R5023	0613952R25	RES,MF,100KOHM,5%,.0625W,SM,0402,200PPM/CEL,PB-FREE
R5024	0613952H25	RES,MF,10OHM,5%,.1W,SM,0603,200PPM/CEL,PB-FREE
R5025	0613952R66	RES,MF,0OHM,5%,.0625W,SM,0402,PB-FREE
R6101	0613952R01	RES,MF,10KOHM,5%,.0625W,SM,0402,200PPM/CEL,PB-FREE
R6104	NOT PLACED	-
R6105	0613952R66	RES,MF,0OHM,5%,.0625W,SM,0402,PB-FREE
R6106	0613952R66	RES,MF,0OHM,5%,.0625W,SM,0402,PB-FREE

Ref. Des.	Part Number	Description
R6107	0613952R66	RES,MF,0OHM,5%,.0625W,SM,0402,PB-FREE
R6108	0613952R66	RES,MF,0OHM,5%,.0625W,SM,0402,PB-FREE
R6109	0613952Q73	RES,MF,1KOHM,5%,.0625W,SM,0402,200PPM/CEL,PB-FREE
R6110	0613952Q73	RES,MF,1KOHM,5%,.0625W,SM,0402,200PPM/CEL,PB-FREE
R6111	NOT PLACED	–
R6112	0613952Q73	RES,MF,1KOHM,5%,.0625W,SM,0402,200PPM/CEL,PB-FREE
R6113	0613952Q49	RES,MF,100,5,.0625,SM,0402,200,PB-FREE
R6114	0613952Q49	RES,MF,100,5,.0625,SM,0402,200,PB-FREE
R6115	0613952Q49	RES,MF,100,5,.0625,SM,0402,200,PB-FREE
R6116	NOT PLACED	–
R6117	0613952R01	RES,MF,10KOHM,5%,.0625W,SM,0402,200PPM/CEL,PB-FREE
R6118	0613952R66	RES,MF,0OHM,5%,.0625W,SM,0402,PB-FREE
R6201	NOT PLACED	–
R6202	0613952R01	RES,MF,10KOHM,5%,.0625W,SM,0402,200PPM/CEL,PB-FREE
R6203	0613952R66	RES,MF,0OHM,5%,.0625W,SM,0402,PB-FREE
R6204	0613952R01	RES,MF,10KOHM,5%,.0625W,SM,0402,200PPM/CEL,PB-FREE
R6205	0613952R01	RES,MF,10KOHM,5%,.0625W,SM,0402,200PPM/CEL,PB-FREE
R6206	0613952R25	RES,MF,100KOHM,5%,.0625W,SM,0402,200PPM/CEL,PB-FREE
R6207	0613952R25	RES,MF,100KOHM,5%,.0625W,SM,0402,200PPM/CEL,PB-FREE
R6208	0613952Q89	RES,MF,4700,5,.0625,SM,0402,200,PB-FREE
R6209	0613952Q89	RES,MF,4700,5,.0625,SM,0402,200,PB-FREE
R6210	0613952Q89	RES,MF,4700,5,.0625,SM,0402,200,PB-FREE
R6211	0613952R01	RES,MF,10KOHM,5%,.0625W,SM,0402,200PPM/CEL,PB-FREE
R6212	NOT PLACED	–

Ref. Des.	Part Number	Description
R6213	0613952R01	RES,MF,10KOHM,5%,.0625W,SM,0402,200PPM/CEL,PB-FREE
R6214	0613952R01	RES,MF,10KOHM,5%,.0625W,SM,0402,200PPM/CEL,PB-FREE
R6215	0613952R01	RES,MF,10KOHM,5%,.0625W,SM,0402,200PPM/CEL,PB-FREE
R6216	0613952R01	RES,MF,10KOHM,5%,.0625W,SM,0402,200PPM/CEL,PB-FREE
R6217	0613952Q73	RES,MF,1KOHM,5%,.0625W,SM,0402,200PPM/CEL,PB-FREE
R6218	0613952Q80	RES,MF,2KOHM,5%,.0625W,SM,0402,200PPM/CEL,PB-FREE
R6301	0613952R01	RES,MF,10KOHM,5%,.0625W,SM,0402,200PPM/CEL,PB-FREE
R6302	0613952R25	RES,MF,100KOHM,5%,.0625W,SM,0402,200PPM/CEL,PB-FREE
R6303	0613952R25	RES,MF,100KOHM,5%,.0625W,SM,0402,200PPM/CEL,PB-FREE
R6304	0613952Q25	RES,MF,10,5,.0625,SM,0402,200,PB-FREE
R6305	0613952Q25	RES,MF,10,5,.0625,SM,0402,200,PB-FREE
R6308	0613952R66	RES,MF,0OHM,5%,.0625W,SM,0402,PB-FREE
R6309	0613952R01	RES,MF,10KOHM,5%,.0625W,SM,0402,200PPM/CEL,PB-FREE
R6310	0613952Q37	RES,MF,33OHM,5%,.0625W,SM,0402,200PPM/CEL,PB-FREE
R6311	0613952Q37	RES,MF,33OHM,5%,.0625W,SM,0402,200PPM/CEL,PB-FREE
R6312	0613952Q37	RES,MF,33OHM,5%,.0625W,SM,0402,200PPM/CEL,PB-FREE
R6313	0613952Q37	RES,MF,33OHM,5%,.0625W,SM,0402,200PPM/CEL,PB-FREE
R6314	0613952Q37	RES,MF,33OHM,5%,.0625W,SM,0402,200PPM/CEL,PB-FREE
R6315	0613952R66	RES,MF,0OHM,5%,.0625W,SM,0402,PB-FREE
R6316	0613952R01	RES,MF,10KOHM,5%,.0625W,SM,0402,200PPM/CEL,PB-FREE
R6401	0613952R01	RES,MF,10KOHM,5%,.0625W,SM,0402,200PPM/CEL,PB-FREE
R6402	0613952R32	RES,MF,200KOHM,5%,.0625W,SM,0402,200PPM/CEL,PB-FREE

Ref. Des.	Part Number	Description
R6403	0613952Q81	RES,MF,2200,5,.0625,SM,0402,200,PB-FREE
R6404	0613952Q81	RES,MF,2200,5,.0625,SM,0402,200,PB-FREE
R6405	NOT PLACED	–
R6406	NOT PLACED	–
R6407	0613952Q81	RES,MF,2200,5,.0625,SM,0402,200,PB-FREE
R6408	NOT PLACED	–
R6409	NOT PLACED	–
R6410	0613952R01	RES,MF,10KOHM,5%,.0625W,SM,0402,200PPM/CEL,PB-FREE
R6411	0613952R66	RES,MF,0OHM,5%,.0625W,SM,0402,PB-FREE
R6412	NOT PLACED	–
R6413	NOT PLACED	–
R6414	0613952Q61	RES,MF,330OHM,5%,.0625W,SM,0402,200PPM/CEL,PB-FREE
R6415	0613952Q61	RES,MF,330OHM,5%,.0625W,SM,0402,200PPM/CEL,PB-FREE
R6416	0613952Q61	RES,MF,330OHM,5%,.0625W,SM,0402,200PPM/CEL,PB-FREE
R6417	0613952Q61	RES,MF,330OHM,5%,.0625W,SM,0402,200PPM/CEL,PB-FREE
R6418	0613952R66	RES,MF,0OHM,5%,.0625W,SM,0402,PB-FREE
R6419	0613952Q37	RES,MF,33OHM,5%,.0625W,SM,0402,200PPM/CEL,PB-FREE
R6420	0613952R17	RES,MF,47000,5,.0625,SM,0402,200,PB-FREE
R6421	0613952R01	RES,MF,10KOHM,5%,.0625W,SM,0402,200PPM/CEL,PB-FREE
R6422	0613952Q51	RES,MF,120,5,.0625,SM,0402,200,PB-FREE
R6423	0613952R66	RES,MF,0OHM,5%,.0625W,SM,0402,PB-FREE
R6424	0613952R66	RES,MF,0OHM,5%,.0625W,SM,0402,PB-FREE
R6425	0613952Q80	RES,MF,2KOHM,5%,.0625W,SM,0402,200PPM/CEL,PB-FREE
R6426	0613952Q49	RES,MF,100,5,.0625,SM,0402,200,PB-FREE
R6427	0613952R11	RES,MF,27KOHM,5%,.0625W,SM,0402,200PPM/CEL,PB-FREE

Ref. Des.	Part Number	Description
R6428	0613952R25	RES,MF,100KOHM,5%,.0625W,SM,0402,200PPM/CEL,PB-FREE
R6429	0613952R17	RES,MF,47000,5,.0625,SM,0402,200,PB-FREE
R6430	0613952R09	RES,MF,22000,5,.0625,SM,0402,200,PB-FREE
R6431	0613952Q81	RES,MF,2200,5,.0625,SM,0402,200,PB-FREE
R6432	NOT PLACED	–
R6433	NOT PLACED	–
R6434	0613952R66	RES,MF,0OHM,5%,.0625W,SM,0402,PB-FREE
R6435	NOT PLACED	–
R6501	0613952Q25	RES,MF,10,5,.0625,SM,0402,200,PB-FREE
R6502	0613952Q25	RES,MF,10,5,.0625,SM,0402,200,PB-FREE
R6503	0613952Q25	RES,MF,10,5,.0625,SM,0402,200,PB-FREE
R6504	0613952R09	RES,MF,22000,5,.0625,SM,0402,200,PB-FREE
R6505	0613952G67	RES,MF,0,1,.1,SM,0603,PB-FREE
R6506	0613952R66	RES,MF,0OHM,5%,.0625W,SM,0402,PB-FREE
R6507	0613952R01	RES,MF,10KOHM,5%,.0625W,SM,0402,200PPM/CEL,PB-FREE
R6508	0613952Q80	RES,MF,2KOHM,5%,.0625W,SM,0402,200PPM/CEL,PB-FREE
R6509	NOT PLACED	–
R6510	0613952R17	RES,MF,47000,5,.0625,SM,0402,200,PB-FREE
R6511	0613952R01	RES,MF,10KOHM,5%,.0625W,SM,0402,200PPM/CEL,PB-FREE
R6512	0613952R25	RES,MF,100KOHM,5%,.0625W,SM,0402,200PPM/CEL,PB-FREE
R6513	0613952R66	RES,MF,0OHM,5%,.0625W,SM,0402,PB-FREE
R6514	0613952Q89	RES,MF,4700,5,.0625,SM,0402,200,PB-FREE
R6515	0613952R66	RES,MF,0OHM,5%,.0625W,SM,0402,PB-FREE
R6516	0613952R66	RES,MF,0OHM,5%,.0625W,SM,0402,PB-FREE

Ref. Des.	Part Number	Description
R6517	0613952Q63	RES,MF,390OHM,5%,.0625W,SM,0402,200PPM/CEL,PB-FREE
R6518	0613952R66	RES,MF,0OHM,5%,.0625W,SM,0402,PB-FREE
R6519	0613952Q89	RES,MF,4700,5,.0625,SM,0402,200,PB-FREE
R6520	0613952Q73	RES,MF,1KOHM,5%,.0625W,SM,0402,200PPM/CEL,PB-FREE
R6521	0615049H01	RES,MF,.2OHM,1%,.5W,1206,KAMAYA 0.2 OHM CHIP RES
R6522	NOT PLACED	-
R6523	0613952R09	RES,MF,22000,5,.0625,SM,0402,200,PB-FREE
R6524	0613952R66	RES,MF,0OHM,5%,.0625W,SM,0402,PB-FREE
R6525	0613952R66	RES,MF,0OHM,5%,.0625W,SM,0402,PB-FREE
R6526	NOT PLACED	-
R6527	0613952N87	RES,MF,78.7KOHM,1%,.0625W,SM,0402,200PPM/CEL,PB-FREE
R6528	0613952R25	RES,MF,100KOHM,5%,.0625W,SM,0402,200PPM/CEL,PB-FREE
R6529	0615049H01	RES,MF,.2OHM,1%,.5W,1206,KAMAYA 0.2 OHM CHIP RES
R6530	0613952L30	RES,MF,200OHM,1%,.0625W,SM,0402,200PPM/CEL,PB-FREE
R6531	0613952R01	RES,MF,10KOHM,5%,.0625W,SM,0402,200PPM/CEL,PB-FREE
R6532	0613952R66	RES,MF,0OHM,5%,.0625W,SM,0402,PB-FREE
R6533	0613952R66	RES,MF,0OHM,5%,.0625W,SM,0402,PB-FREE
R6534	NOT PLACED	-
R6535	0613952N01	RES,MF,10KOHM,1%,.0625W,SM,0402,200PPM/CEL,PB-FREE
R6536	0613952Z72	RES,MF,91KOHM,1%,.0625W,SM,0402,200PPM/CEL,PB-FREE
R6537	0613952P09	RES,MF,121KOHM,1%,.0625W,SM,0402,200PPM/CEL,PB-FREE
R6538	0613952Q95	RES,MF,8.2KOHM,5%,.0625W,SM,0402,200PPM/CEL,PB-FREE
R6539	0613952P66	RES,MF,475KOHM,1%,.0625W,SM,0402,200PPM/CEL,PB-FREE
R6540	0613952P66	RES,MF,475KOHM,1%,.0625W,SM,0402,200PPM/CEL,PB-FREE

Ref. Des.	Part Number	Description
R6541	0613952R25	RES,MF,100KOHM,5%,.0625W,SM,0402,200PPM/CEL,PB-FREE
R6542	0613952R66	RES,MF,0OHM,5%,.0625W,SM,0402,PB-FREE
R6543	NOT PLACED	-
R6544	0613952G67	RES,MF,0,1,.1,SM,0603,PB-FREE
R6545	0613952R25	RES,MF,100KOHM,5%,.0625W,SM,0402,200PPM/CEL,PB-FREE
R6546	0613952R66	RES,MF,0OHM,5%,.0625W,SM,0402,PB-FREE
R6547	0613952R66	RES,MF,0OHM,5%,.0625W,SM,0402,PB-FREE
R6548	NOT PLACED	-
R6549	0613952R66	RES,MF,0OHM,5%,.0625W,SM,0402,PB-FREE
R6550	0613952Z64	RES,MF,39KOHM,1%,.0625W,SM,0402,200PPM/CEL,PB-FREE
R6551	0613952Z62	RES,MF,33KOHM,1%,.0625W,SM,0402,200PPM/CEL,PB-FREE
R6552	0613952R25	RES,MF,100KOHM,5%,.0625W,SM,0402,200PPM/CEL,PB-FREE
R6553	0613952R25	RES,MF,100KOHM,5%,.0625W,SM,0402,200PPM/CEL,PB-FREE
R6554	0613952R66	RES,MF,0OHM,5%,.0625W,SM,0402,PB-FREE
R6555	NOT PLACED	-
R6556	0613952R66	RES,MF,0OHM,5%,.0625W,SM,0402,PB-FREE
R6557	NOT PLACED	-
R6558	0613952P22	RES,MF,165KOHM,1%,.0625W,SM,0402,200PPM/CEL,PB-FREE
R6559	0613952P24	RES,MF,174KOHM,1%,.0625W,SM,0402,200PPM/CEL,PB-FREE
R6560	0613952R66	RES,MF,0OHM,5%,.0625W,SM,0402,PB-FREE
R6561	0613952R66	RES,MF,0OHM,5%,.0625W,SM,0402,PB-FREE
R6562	0613952R66	RES,MF,0OHM,5%,.0625W,SM,0402,PB-FREE
R6563	0613952R66	RES,MF,0OHM,5%,.0625W,SM,0402,PB-FREE
R6564	0613952R66	RES,MF,0OHM,5%,.0625W,SM,0402,PB-FREE

Ref. Des.	Part Number	Description
R6565	0613952R66	RES,MF,0OHM,5%,.0625W,SM,0402,PB-FREE
R6566	0613952R66	RES,MF,0OHM,5%,.0625W,SM,0402,PB-FREE
R6567	0613952R66	RES,MF,0OHM,5%,.0625W,SM,0402,PB-FREE
R6568	0613952P47	RES,MF,301KOHM,1%,.0625W,SM,0402,200PPM/CEL,PB-FREE
R6569	0613952P66	RES,MF,475KOHM,1%,.0625W,SM,0402,200PPM/CEL,PB-FREE
R6570	0613952R66	RES,MF,0OHM,5%,.0625W,SM,0402,PB-FREE
R6571	NOT PLACED	-
R6572	0613952R66	RES,MF,0OHM,5%,.0625W,SM,0402,PB-FREE
R6574	0613952R25	RES,MF,100KOHM,5%,.0625W,SM,0402,200PPM/CEL,PB-FREE
R6576	0613952R01	RES,MF,10KOHM,5%,.0625W,SM,0402,200PPM/CEL,PB-FREE
R6577	0613952Q89	RES,MF,4700,5,.0625,SM,0402,200,PB-FREE
R6578	0613952Q89	RES,MF,4700,5,.0625,SM,0402,200,PB-FREE
R6579	0613952R01	RES,MF,10KOHM,5%,.0625W,SM,0402,200PPM/CEL,PB-FREE
R6580	0613952R17	RES,MF,47000,5,.0625,SM,0402,200,PB-FREE
R6581	0613952Q49	RES,MF,100,5,.0625,SM,0402,200,PB-FREE
R6582	0613952Q89	RES,MF,4700,5,.0625,SM,0402,200,PB-FREE
R6583	0613952R03	RES,MF,12000,5,.0625,SM,0402,200,PB-FREE
R6584	0613952Q56	RES,MF,200OHM,5%,.0625W,SM,0402,200PPM/CEL,PB-FREE
R6601	0613952R01	RES,MF,10KOHM,5%,.0625W,SM,0402,200PPM/CEL,PB-FREE
R6602	0613952R66	RES,MF,0OHM,5%,.0625W,SM,0402,PB-FREE
R6603	0613952R66	RES,MF,0OHM,5%,.0625W,SM,0402,PB-FREE
R6604	0613952Q51	RES,MF,120,5,.0625,SM,0402,200,PB-FREE
R6605	0613952Q51	RES,MF,120,5,.0625,SM,0402,200,PB-FREE

Ref. Des.	Part Number	Description
R6606	0613952Q37	RES,MF,33OHM,5%,.0625W,SM,0402,200PPM/CEL,PB-FREE
R6607	0613952R66	RES,MF,0OHM,5%,.0625W,SM,0402,PB-FREE
R6608	0613952R01	RES,MF,10KOHM,5%,.0625W,SM,0402,200PPM/CEL,PB-FREE
R6609	0613952R25	RES,MF,100KOHM,5%,.0625W,SM,0402,200PPM/CEL,PB-FREE
R6616	0613952Q80	RES,MF,2KOHM,5%,.0625W,SM,0402,200PPM/CEL,PB-FREE
R6617	0613952R01	RES,MF,10KOHM,5%,.0625W,SM,0402,200PPM/CEL,PB-FREE
R6618	0613952R01	RES,MF,10KOHM,5%,.0625W,SM,0402,200PPM/CEL,PB-FREE
R6619	0613952R01	RES,MF,10KOHM,5%,.0625W,SM,0402,200PPM/CEL,PB-FREE
R6620	0613952Q89	RES,MF,4700,5,.0625,SM,0402,200,PB-FREE
R6621	0613952Q89	RES,MF,4700,5,.0625,SM,0402,200,PB-FREE
R6622	0613952Q35	RES,MF,27OHM,5%,.0625W,SM,0402,200PPM/CEL,PB-FREE
R6623	0613952Q35	RES,MF,27OHM,5%,.0625W,SM,0402,200PPM/CEL,PB-FREE
R6624	0613952Q35	RES,MF,27OHM,5%,.0625W,SM,0402,200PPM/CEL,PB-FREE
R6625	0613952Q35	RES,MF,27OHM,5%,.0625W,SM,0402,200PPM/CEL,PB-FREE
R6626	0613952R01	RES,MF,10KOHM,5%,.0625W,SM,0402,200PPM/CEL,PB-FREE
SH1	2675865B02	SHLD,CUST,SHIELD, MACE W/TAMPER CONT
SH2	2675866B01	SHLD,STL,SN PLT,SHIELD, OMAP MEM CPLD
SH3	2675867B01	SHLD,STL,SN PLT,SHIELD, DISCRETE SWITCHERS
SH4	2675868B01	SHLD,STL,SN PLT,SHIELD, MAKO SWR
SH5	2675869B01	SHLD,STL,SN PLT,SHIELD, MAKO
SH6	2675863B01	SHLD,STL,SN PLT,SHIELD, CODEC
U2101	5109522E84	IC,DL SCHT TRIG MICRO PAK
U2102	5109522E84	IC,DL SCHT TRIG MICRO PAK
U2103	5109522E84	IC,DL SCHT TRIG MICRO PAK

Ref. Des.	Part Number	Description
U2201	5171679H01	IC,DISP DRVR,LED LT DRVR
U2202	5164852H47	IC,XLTR,2PER PKG,TSSOP8, IC,I2C LEV XLTR
U2203	NOT PLACED	-
U4001	5164852H47	IC,XLTR,2PER PKG,TSSOP8, IC, I2C LEV XLTR
U4002	5171672H01	IC,BFR,SN74LVC2G07,WCSF, DL BFR W/ OPEN-DRAIN OUTPUTS
U4003	5188691V01	IC,MUX/DEMUX, NC7SB3157P6X, SM,SC70-6,1PER PKG,BUS,PB FREE
U4004	5116783H01	IC,ANLG SW, SN74LVC2G66YZPR,SM,2PER PKG,0CHANNELS, BILATERAL, DL
U5001	5175114H01	IC,SNGL AND GATE MICROPAK
U5002	5175114H01	IC,SNGL AND GATE MICROPAK
U5003	5185912Y01	IC,CRYPTOGRAPHIC PROCESSOR,1PER PKG, MACE ENCRYPTN IC -- PB-
U5004	5175114H01	IC,SNGL AND GATE MICROPAK
U5005	5171339H01	IC,MC78LC18,MICROPOWER V REGLTR
U5006	5171988H01	IC,COMPTR,CMOS COMPTR
U6101	0180706J18	IC,PGM,PGM CPLD
U6102	5188691V01	IC,MUX/DEMUX, NC7SB3157P6X,SM,SC70-6, 1PER PKG,BUS,PB FREE
U6201	5185941F26	IC,COMPTR,LMV7219,SM, SOT-23/5,IC,LM7219, COMPARATOR, NOPB
U6301	5188120J01	256MB MOBILE DDR SDRAM
U6302	5102495J13	IC,MICROP,P1710ZZGE,BGA, 12MHZ,32BITS
U6303	5175772B36	IC,ANLG SW,SOT-23, 5CHANNELS,IC, BILATERAL ANLG SW
U6304	0180706J17	IC,PGM,PGM 256MBIT FLSH
U6401	NOT PLACED	-
U6402	5171674H01	IC,OP AMP,SO-8,OP AMP
U6403	NOT PLACED	-
U6404	NOT PLACED	-
U6405	5188348V06	IC,AUDIO CODEC,SM,AUDIO CODEC

Ref. Des.	Part Number	Description
U6406	NOT PLACED	-
U6407	NOT PLACED	-
U6408	5188521T01	IC,VREF,SM,SOT23,1PER PKG, .5%,1.25 TO 13.75,PRCN BANDGAP ADJUS
U6409	51009000001	IC,COMPTR,SC70,NANOPOWER , 1.8V, SC70 COMPTR
U6410	5109768D14	IC,TEMP SENS,SC70, CALIBRATED
U6501	5185143E77	IC,CUST,BGA,IC, MAKO ASIC, CMOS PWR MGMT
U6502	4871987H01	XSTR,BIP GP POWER,12V,1A, LOW FREQ XSTR
U6503	5171674H01	IC,OP AMP,SO-8,OP AMP
U6504	5171682H01	IC,DC TO DC CONVERTER, 800MA BUCK REGLTR
U6505	5189631P01	IC,0PER PKG,SYNC STEP-DOWN CONV
U6506	5184790Y04	IC,LINEAR VOLTAGE REGULATOR,400MA
U6507	5171682H01	IC,DC TO DC CONVERTER, 800MA BUCK REGLTR
U6508	5171682H01	IC,DC TO DC CONVERTER, 800MA BUCK REGLTR
U6509	5175114H01	IC,SNGL AND GATE MICROPAK
U6511	5171339H01	IC,MC78LC18,MICROPOWER V REGLTR
U6601	5175114H01	IC,SNGL AND GATE MICROPAK
Y6501	4864005H01	XTAL,QRTZ,24.576MHZ,10PPM TOL,15PPM STAB,SM4,SM,AT
Y6502	4809995L05	RESON,QRTZ,32.768KHZ,SM, FUND,9PF LOAD CAP,-40DEG C MIN,85DE
Y6601	4802582S85	RESON,QRTZ,12MHZ,10PPM TOL,18PPM STAB,SM,FUND, AT,10PF LOAD CAP

MNCN6201A VOCON Board Parts List

Ref. Des.	Part Number	Description
C1001	NOT PLACED	-
C1002	NOT PLACED	-
C1003	NOT PLACED	-
C1004	NOT PLACED	-
C1005	NOT PLACED	-
C1006	NOT PLACED	-
C2101	NOT PLACED	-
C2102	NOT PLACED	-
C2103	2113944A31	CAP,CHIP,33PF,+5%,-5%,50V-DC,0402,C0G,-55DEG CMIN,125DEG CMAX,P
C2104	2113946B04	CAP,CHIP,.1UF,+10%,-10%,10V-DC,0402,X5R,-55DEG CMIN,85DEG CMAX
C2105	2113944A46	CAP,CHIP,330PF,+5%,-5%,50V-DC,0402,C0G,-55DEG CMIN,125DEG CMAX
C2106	NOT PLACED	-
C2107	2113944A46	CAP,CHIP,330PF,+5%,-5%,50V-DC,0402,C0G,-55DEG CMIN,125DEG CMAX
C2108	2113944A46	CAP,CHIP,330PF,+5%,-5%,50V-DC,0402,C0G,-55DEG CMIN,125DEG CMAX
C2109	2113944A46	CAP,CHIP,330PF,+5%,-5%,50V-DC,0402,C0G,-55DEG CMIN,125DEG CMAX
C2110	2113944A46	CAP,CHIP,330PF,+5%,-5%,50V-DC,0402,C0G,-55DEG CMIN,125DEG CMAX
C2111	2113944A46	CAP,CHIP,330PF,+5%,-5%,50V-DC,0402,C0G,-55DEG CMIN,125DEG CMAX
C2112	NOT PLACED	-
C2113	2113944A46	CAP,CHIP,330PF,+5%,-5%,50V-DC,0402,C0G,-55DEG CMIN,125DEG CMAX
C2201	2113946B04	CAP,CHIP,.1UF,+10%,-10%,10V-DC,0402,X5R,-55DEG CMIN,85DEG CMAX
C2202	2113946B04	CAP,CHIP,.1UF,+10%,-10%,10V-DC,0402,X5R,-55DEG CMIN,85DEG CMAX

Ref. Des.	Part Number	Description
C2203	2113946B04	CAP,CHIP,.1UF,+10%,-10%,10V-DC,0402,X5R,-55DEG CMIN,85DEG CMAX
C2204	NOT PLACED	-
C2205	NOT PLACED	-
C2206	NOT PLACED	-
C2207	NOT PLACED	-
C2208	NOT PLACED	-
C2209	NOT PLACED	-
C2210	NOT PLACED	-
C2211	2113946B04	CAP,CHIP,.1UF,+10%,-10%,10V-DC,0402,X5R,-55DEG CMIN,85DEG CMAX
C2212	2113946B04	CAP,CHIP,.1UF,+10%,-10%,10V-DC,0402,X5R,-55DEG CMIN,85DEG CMAX
C2213	2113946B04	CAP,CHIP,.1UF,+10%,-10%,10V-DC,0402,X5R,-55DEG CMIN,85DEG CMAX
C2214	2113946B04	CAP,CHIP,.1UF,+10%,-10%,10V-DC,0402,X5R,-55DEG CMIN,85DEG CMAX
C2215	2113946B04	CAP,CHIP,.1UF,+10%,-10%,10V-DC,0402,X5R,-55DEG CMIN,85DEG CMAX
C2216	2113946B04	CAP,CHIP,.1UF,+10%,-10%,10V-DC,0402,X5R,-55DEG CMIN,85DEG CMAX
C2301	NOT PLACED	-
C2302	NOT PLACED	-
C2303	NOT PLACED	-
C2304	NOT PLACED	-
C2305	NOT PLACED	-
C2306	NOT PLACED	-
C2307	NOT PLACED	-
C2308	NOT PLACED	-
C2309	NOT PLACED	-
C2310	NOT PLACED	-
C2311	NOT PLACED	-
C2312	NOT PLACED	-
C2313	NOT PLACED	-
C2314	NOT PLACED	-
C2315	NOT PLACED	-

Ref. Des.	Part Number	Description
C2316	NOT PLACED	-
C2317	NOT PLACED	-
C2318	NOT PLACED	-
C2319	NOT PLACED	-
C2320	NOT PLACED	-
C2321	NOT PLACED	-
C2322	NOT PLACED	-
C2323	2113944A46	CAP,CHIP,330PF,+5%,-5%,50V-DC,0402,C0G,-55DEG CMIN,125DEG CMAX
C2324	2113944A46	CAP,CHIP,330PF,+5%,-5%,50V-DC,0402,C0G,-55DEG CMIN,125DEG CMAX
C2325	2113944A46	CAP,CHIP,330PF,+5%,-5%,50V-DC,0402,C0G,-55DEG CMIN,125DEG CMAX
C3001	NOT PLACED	-
C3002	NOT PLACED	-
C3003	NOT PLACED	-
C3004	NOT PLACED	-
C3005	NOT PLACED	-
C3006	NOT PLACED	-
C3007	NOT PLACED	-
C3008	NOT PLACED	-
C3009	NOT PLACED	-
C4001	2113946B04	CAP,CHIP,.1UF,+10%,-10%,10V-DC,0402,X5R,-55DEG CMIN,85DEG CMAX
C4002	2113944A31	CAP,CHIP,33PF,+5%,-5%,50V-DC,0402,C0G,-55DEG CMIN,125DEG CMAX,P
C4003	2113944A46	CAP,CHIP,330PF,+5%,-5%,50V-DC,0402,C0G,-55DEG CMIN,125DEG CMAX
C4004	2113946B04	CAP,CHIP,.1UF,+10%,-10%,10V-DC,0402,X5R,-55DEG CMIN,85DEG CMAX
C4005	2113946B04	CAP,CHIP,.1UF,+10%,-10%,10V-DC,0402,X5R,-55DEG CMIN,85DEG CMAX
C4006	2113946B04	CAP,CHIP,.1UF,+10%,-10%,10V-DC,0402,X5R,-55DEG CMIN,85DEG CMAX

Ref. Des.	Part Number	Description
C4007	2113946B04	CAP,CHIP,.1UF,+10%,-10%,10V-DC,0402,X5R,-55DEG CMIN,85DEG CMAX
C5001	2113945A09	CAP,CHIP,1000PF,+10%,-10%,50V-DC,0402,X7R,-55DEG CMIN,125DEG CM
C5002	2113945B02	CAP,CHIP,.01UF,+10%,-10%,25V-DC,0402,X7R,-55DEG CMIN,125DEG CMA
C5003	2113946B04	CAP,CHIP,.1UF,+10%,-10%,10V-DC,0402,X5R,-55DEG CMIN,85DEG CMAX
C5004	2113956B33	CAP,FXD,2.2UF,+10%,-10%,16V-DC,0603,X5R,-55DEG CMIN,85DEG CMAX
C5005	2113946B04	CAP,CHIP,.1UF,+10%,-10%,10V-DC,0402,X5R,-55DEG CMIN,85DEG CMAX
C5006	2113946B04	CAP,CHIP,.1UF,+10%,-10%,10V-DC,0402,X5R,-55DEG CMIN,85DEG CMAX
C5007	2113946B04	CAP,CHIP,.1UF,+10%,-10%,10V-DC,0402,X5R,-55DEG CMIN,85DEG CMAX
C5008	2113946B04	CAP,CHIP,.1UF,+10%,-10%,10V-DC,0402,X5R,-55DEG CMIN,85DEG CMAX
C5009	2113946B04	CAP,CHIP,.1UF,+10%,-10%,10V-DC,0402,X5R,-55DEG CMIN,85DEG CMAX
C5010	2113946B04	CAP,CHIP,.1UF,+10%,-10%,10V-DC,0402,X5R,-55DEG CMIN,85DEG CMAX
C5011	2113946B04	CAP,CHIP,.1UF,+10%,-10%,10V-DC,0402,X5R,-55DEG CMIN,85DEG CMAX
C5012	2113946B04	CAP,CHIP,.1UF,+10%,-10%,10V-DC,0402,X5R,-55DEG CMIN,85DEG CMAX
C5013	2113946B04	CAP,CHIP,.1UF,+10%,-10%,10V-DC,0402,X5R,-55DEG CMIN,85DEG CMAX
C5014	2113946B04	CAP,CHIP,.1UF,+10%,-10%,10V-DC,0402,X5R,-55DEG CMIN,85DEG CMAX
C5015	2113946B04	CAP,CHIP,.1UF,+10%,-10%,10V-DC,0402,X5R,-55DEG CMIN,85DEG CMAX

Ref. Des.	Part Number	Description	Ref. Des.	Part Number	Description	Ref. Des.	Part Number	Description	Ref. Des.	Part Number	Description
C5016	2113946B04	CAP,CHIP,.1UF,+10%,-10%,10V-DC,0402,X5R,-55DEG CMIN,85DEG CMAX	C6106	2113946B04	CAP,CHIP,.1UF,+10%,-10%,10V-DC,0402,X5R,-55DEG CMIN,85DEG CMAX	C6304	2113946B04	CAP,CHIP,.1UF,+10%,-10%,10V-DC,0402,X5R,-55DEG CMIN,85DEG CMAX	C6411	2113946B04	CAP,CHIP,.1UF,+10%,-10%,10V-DC,0402,X5R,-55DEG CMIN,85DEG CMAX
C5017	2113946B04	CAP,CHIP,.1UF,+10%,-10%,10V-DC,0402,X5R,-55DEG CMIN,85DEG CMAX	C6107	2113946B04	CAP,CHIP,.1UF,+10%,-10%,10V-DC,0402,X5R,-55DEG CMIN,85DEG CMAX	C6305	2113946S35	CAP,CHIP,1UF,+10%,-10%,16V-DC,0603,X5R,-55DEG CMIN,85DEG CMAX,P	C6412	NOT PLACED	-
C5018	2113946B04	CAP,CHIP,.1UF,+10%,-10%,10V-DC,0402,X5R,-55DEG CMIN,85DEG CMAX	C6108	2113946B04	CAP,CHIP,.1UF,+10%,-10%,10V-DC,0402,X5R,-55DEG CMIN,85DEG CMAX	C6306	2113946S35	CAP,CHIP,1UF,+10%,-10%,16V-DC,0603,X5R,-55DEG CMIN,85DEG CMAX,P	C6413	2113946B04	CAP,CHIP,.1UF,+10%,-10%,10V-DC,0402,X5R,-55DEG CMIN,85DEG CMAX
C5019	2113946B04	CAP,CHIP,.1UF,+10%,-10%,10V-DC,0402,X5R,-55DEG CMIN,85DEG CMAX	C6109	2113946B04	CAP,CHIP,.1UF,+10%,-10%,10V-DC,0402,X5R,-55DEG CMIN,85DEG CMAX	C6307	2113946B04	CAP,CHIP,.1UF,+10%,-10%,10V-DC,0402,X5R,-55DEG CMIN,85DEG CMAX	C6414	2113946B04	CAP,CHIP,.1UF,+10%,-10%,10V-DC,0402,X5R,-55DEG CMIN,85DEG CMAX
C5020	2113946B04	CAP,CHIP,.1UF,+10%,-10%,10V-DC,0402,X5R,-55DEG CMIN,85DEG CMAX	C6110	2113946B04	CAP,CHIP,.1UF,+10%,-10%,10V-DC,0402,X5R,-55DEG CMIN,85DEG CMAX	C6308	2113946B04	CAP,CHIP,.1UF,+10%,-10%,10V-DC,0402,X5R,-55DEG CMIN,85DEG CMAX	C6416	2113945B04	CAP,FXD,.022UF,+10%,-10%,25V-DC,0402,X7R,-55DEG CMIN,125DEG CMA
C5021	2113946B04	CAP,CHIP,.1UF,+10%,-10%,10V-DC,0402,X5R,-55DEG CMIN,85DEG CMAX	C6111	2113946B04	CAP,CHIP,.1UF,+10%,-10%,10V-DC,0402,X5R,-55DEG CMIN,85DEG CMAX	C6309	2113946B04	CAP,CHIP,.1UF,+10%,-10%,10V-DC,0402,X5R,-55DEG CMIN,85DEG CMAX	C6417	2113945B04	CAP,FXD,.022UF,+10%,-10%,25V-DC,0402,X7R,-55DEG CMIN,125DEG CMA
C5022	2113946B04	CAP,CHIP,.1UF,+10%,-10%,10V-DC,0402,X5R,-55DEG CMIN,85DEG CMAX	C6112	2113946B04	CAP,CHIP,.1UF,+10%,-10%,10V-DC,0402,X5R,-55DEG CMIN,85DEG CMAX	C6310	2113946B04	CAP,CHIP,.1UF,+10%,-10%,10V-DC,0402,X5R,-55DEG CMIN,85DEG CMAX	C6418	2113946B04	CAP,CHIP,.1UF,+10%,-10%,10V-DC,0402,X5R,-55DEG CMIN,85DEG CMAX
C5023	2113946B04	CAP,CHIP,.1UF,+10%,-10%,10V-DC,0402,X5R,-55DEG CMIN,85DEG CMAX	C6113	2113946B04	CAP,CHIP,.1UF,+10%,-10%,10V-DC,0402,X5R,-55DEG CMIN,85DEG CMAX	C6311	2113946B04	CAP,CHIP,.1UF,+10%,-10%,10V-DC,0402,X5R,-55DEG CMIN,85DEG CMAX	C6419	2113946B04	CAP,CHIP,.1UF,+10%,-10%,10V-DC,0402,X5R,-55DEG CMIN,85DEG CMAX
C5024	2113946B04	CAP,CHIP,.1UF,+10%,-10%,10V-DC,0402,X5R,-55DEG CMIN,85DEG CMAX	C6114	2113946B04	CAP,CHIP,.1UF,+10%,-10%,10V-DC,0402,X5R,-55DEG CMIN,85DEG CMAX	C6401	NOT PLACED	-	C6420	2113945B04	CAP,FXD,.022UF,+10%,-10%,25V-DC,0402,X7R,-55DEG CMIN,125DEG CMA
C5025	2113946B04	CAP,CHIP,.1UF,+10%,-10%,10V-DC,0402,X5R,-55DEG CMIN,85DEG CMAX	C6115	2113946B04	CAP,CHIP,.1UF,+10%,-10%,10V-DC,0402,X5R,-55DEG CMIN,85DEG CMAX	C6402	2113956A51	CAP,FXD,1UF,+10%,-10%,6.3V-DC,0402,X5R,-55DEG CMIN,85DEG CMAX,P	C6421	2113946B04	CAP,CHIP,.1UF,+10%,-10%,10V-DC,0402,X5R,-55DEG CMIN,85DEG CMAX
C5026	2113946B04	CAP,CHIP,.1UF,+10%,-10%,10V-DC,0402,X5R,-55DEG CMIN,85DEG CMAX	C6201	2113944A40	CAP,CHIP,100PF,+5%,-5%,50V-DC,0402,C0G,-55DEG CMIN,125DEG CMAX	C6403	2113946B04	CAP,CHIP,.1UF,+10%,-10%,10V-DC,0402,X5R,-55DEG CMIN,85DEG CMAX	C6422	2113946C02	CAP,CHIP,.22UF,+10%,-10%,10V-DC,0603,X5R,-55DEG CMIN,85DEG CMAX
C5027	2113946B04	CAP,CHIP,.1UF,+10%,-10%,10V-DC,0402,X5R,-55DEG CMIN,85DEG CMAX	C6202	2113945A09	CAP,CHIP,1000PF,+10%,-10%,50V-DC,0402,X7R,-55DEG CMIN,125DEG CM	C6404	2113946B04	CAP,CHIP,.1UF,+10%,-10%,10V-DC,0402,X5R,-55DEG CMIN,85DEG CMAX	C6423	2113946B04	CAP,CHIP,.1UF,+10%,-10%,10V-DC,0402,X5R,-55DEG CMIN,85DEG CMAX
C5028	2113946B04	CAP,CHIP,.1UF,+10%,-10%,10V-DC,0402,X5R,-55DEG CMIN,85DEG CMAX	C6203	2113946B04	CAP,CHIP,.1UF,+10%,-10%,10V-DC,0402,X5R,-55DEG CMIN,85DEG CMAX	C6405	NOT PLACED	-	C6424	2113944A40	CAP,CHIP,100PF,+5%,-5%,50V-DC,0402,C0G,-55DEG CMIN,125DEG CMAX
C6101	NOT PLACED	-	C6301	2113946B04	CAP,CHIP,.1UF,+10%,-10%,10V-DC,0402,X5R,-55DEG CMIN,85DEG CMAX	C6406	2113946B04	CAP,CHIP,.1UF,+10%,-10%,10V-DC,0402,X5R,-55DEG CMIN,85DEG CMAX	C6425	2113944A40	CAP,CHIP,100PF,+5%,-5%,50V-DC,0402,C0G,-55DEG CMIN,125DEG CMAX
C6102	NOT PLACED	-	C6302	2113946B04	CAP,CHIP,.1UF,+10%,-10%,10V-DC,0402,X5R,-55DEG CMIN,85DEG CMAX	C6407	2113946B04	CAP,CHIP,.1UF,+10%,-10%,10V-DC,0402,X5R,-55DEG CMIN,85DEG CMAX	C6426	2113945B02	CAP,CHIP,.01UF,+10%,-10%,25V-DC,0402,X7R,-55DEG CMIN,125DEG CMA
C6103	NOT PLACED	-	C6303	2113946B04	CAP,CHIP,.1UF,+10%,-10%,10V-DC,0402,X5R,-55DEG CMIN,85DEG CMAX	C6408	2113946B04	CAP,CHIP,.1UF,+10%,-10%,10V-DC,0402,X5R,-55DEG CMIN,85DEG CMAX	C6427	2113944A50	CAP,CHIP,680PF,+5%,-5%,50V-DC,0402,C0G,-55DEG CMIN,125DEG CMAX
C6104	2113946B04	CAP,CHIP,.1UF,+10%,-10%,10V-DC,0402,X5R,-55DEG CMIN,85DEG CMAX				C6409	NOT PLACED	-	C6428	2113944A40	CAP,CHIP,100PF,+5%,-5%,50V-DC,0402,C0G,-55DEG CMIN,125DEG CMAX
C6105	2113946B04	CAP,CHIP,.1UF,+10%,-10%,10V-DC,0402,X5R,-55DEG CMIN,85DEG CMAX				C6410	2113946B04	CAP,CHIP,.1UF,+10%,-10%,10V-DC,0402,X5R,-55DEG CMIN,85DEG CMAX			

Ref. Des.	Part Number	Description	Ref. Des.	Part Number	Description	Ref. Des.	Part Number	Description	Ref. Des.	Part Number	Description
C6429	NOT PLACED	–	C6515	2113944A40	CAP,CHIP,100PF,+5%,-5%,50V-DC,0402,C0G,-55DEG CMIN,125DEG CMAX	C6531	2113946B04	CAP,CHIP,1UF,+10%,-10%,10V-DC,0402,X5R,-55DEG CMIN,85DEG CMAX	C6550	2113945D04	CAP,CHIP,.1UF,+10%,-10%,25V-DC,0603,X7R,-55DEG CMIN,25DEG CMAX
C6430	2113946B04	CAP,CHIP,.1UF,+10%,-10%,10V-DC,0402,X5R,-55DEG CMIN,85DEG CMAX	C6516	2113944A40	CAP,CHIP,100PF,+5%,-5%,50V-DC,0402,C0G,-55DEG CMIN,125DEG CMAX	C6532	2113946S35	CAP,CHIP,1UF,+10%,-10%,16V-DC,0603,X5R,-55DEG CMIN,85DEG CMAX,P	C6551	2113945D04	CAP,CHIP,.1UF,+10%,-10%,25V-DC,0603,X7R,-55DEG CMIN,125DEG CMAX
C6431	NOT PLACED	–	C6517	2113944A40	CAP,CHIP,100PF,+5%,-5%,50V-DC,0402,C0G,-55DEG CMIN,125DEG CMAX	C6534	2113956B33	CAP,FXD,2.2UF,+10%,-10%,16V-DC,0603,X5R,-55DEG CMIN,85DEG CMAX	C6552	2113956E91	CAP,FXD,10UF,+10%,-10%,16V-DC,1210,X5R,-55DEG CMIN,85DEG CMAX,P
C6501	2113946B04	CAP,CHIP,.1UF,+10%,-10%,10V-DC,0402,X5R,-55DEG CMIN,85DEG CMAX	C6518	2113944A40	CAP,CHIP,100PF,+5%,-5%,50V-DC,0402,C0G,-55DEG CMIN,125DEG CMAX	C6535	2113944A40	CAP,CHIP,100PF,+5%,-5%,50V-DC,0402,C0G,-55DEG CMIN,125DEG CMAX	C6553	2113956E91	CAP,FXD,10UF,+10%,-10%,16V-DC,1210,X5R,-55DEG CMIN,85DEG CMAX,P
C6502	2113946B04	CAP,CHIP,.1UF,+10%,-10%,10V-DC,0402,X5R,-55DEG CMIN,85DEG CMAX	C6519	2113946S35	CAP,CHIP,1UF,+10%,-10%,16V-DC,0603,X5R,-55DEG CMIN,85DEG CMAX,P	C6536	2113944A28	CAP,CHIP,18PF,+5%,-5%,50V-DC,0402,C0G,-55DEG CMIN,125DEG CMAX,P	C6554	2113946B04	CAP,CHIP,.1UF,+10%,-10%,10V-DC,0402,X5R,-55DEG CMIN,85DEG CMAX
C6503	2113944A31	CAP,CHIP,33PF,+5%,-5%,50V-DC,0402,C0G,-55DEG CMIN,125DEG CMAX,P	C6520	2113946S35	CAP,CHIP,1UF,+10%,-10%,16V-DC,0603,X5R,-55DEG CMIN,85DEG CMAX,P	C6537	2113944A19	CAP,CHIP,5.6PF,.5PF+/-,50V-DC,0402,C0G,-55DEG CMIN,125DEG CMAX	C6555	2113955D45	CAP,FXD,4.7UF,+10%,-10%,10V-DC,1206,X7R,-55DEG CMIN,125DEG CMAX
C6504	2113946B04	CAP,CHIP,.1UF,+10%,-10%,10V-DC,0402,X5R,-55DEG CMIN,85DEG CMAX	C6521	2113944A31	CAP,CHIP,33PF,+5%,-5%,50V-DC,0402,C0G,-55DEG CMIN,125DEG CMAX,P	C6538	2113956B33	CAP,FXD,2.2UF,+10%,-10%,16V-DC,0603,X5R,-55DEG CMIN,85DEG CMAX	C6556	2113956E91	CAP,FXD,10UF,+10%,-10%,16V-DC,1210,X5R,-55DEG CMIN,85DEG CMAX,P
C6505	2113946B04	CAP,CHIP,.1UF,+10%,-10%,10V-DC,0402,X5R,-55DEG CMIN,85DEG CMAX	C6522	2113946S35	CAP,CHIP,1UF,+10%,-10%,16V-DC,0603,X5R,-55DEG CMIN,85DEG CMAX,P	C6539	2113956B33	CAP,FXD,2.2UF,+10%,-10%,16V-DC,0603,X5R,-55DEG CMIN,85DEG CMAX	C6557	2113945D04	CAP,CHIP,.1UF,+10%,-10%,25V-DC,0603,X7R,-55DEG CMIN,125DEG CMAX
C6506	2113946B04	CAP,CHIP,.1UF,+10%,-10%,10V-DC,0402,X5R,-55DEG CMIN,85DEG CMAX	C6523	2113946S35	CAP,CHIP,1UF,+10%,-10%,16V-DC,0603,X5R,-55DEG CMIN,85DEG CMAX,P	C6540	2113945A09	CAP,CHIP,1000PF,+10%,-10%,50V-DC,0402,X7R,-55DEG CMIN,125DEG CM	C6558	2113944A21	CAP,CHIP,6.8PF,.5PF+/-,50V-DC,0402,C0G,-55DEG CMIN,125DEG CMAX
C6507	2113946B04	CAP,CHIP,.1UF,+10%,-10%,10V-DC,0402,X5R,-55DEG CMIN,85DEG CMAX	C6524	2113946B04	CAP,CHIP,.1UF,+10%,-10%,10V-DC,0402,X5R,-55DEG CMIN,85DEG CMAX	C6541	2113944A19	CAP,CHIP,5.6PF,.5PF+/-,50V-DC,0402,C0G,-55DEG CMIN,125DEG CMAX	C6559	2113946S35	CAP,CHIP,1UF,+10%,-10%,16V-DC,0603,X5R,-55DEG CMIN,85DEG CMAX,P
C6508	2113946B04	CAP,CHIP,.1UF,+10%,-10%,10V-DC,0402,X5R,-55DEG CMIN,85DEG CMAX	C6525	2113946S35	CAP,CHIP,1UF,+10%,-10%,16V-DC,0603,X5R,-55DEG CMIN,85DEG CMAX,P	C6542	2113946B04	CAP,CHIP,.1UF,+10%,-10%,10V-DC,0402,X5R,-55DEG CMIN,85DEG CMAX	C6560	2113956E91	CAP,FXD,10UF,+10%,-10%,16V-DC,1210,X5R,-55DEG CMIN,85DEG CMAX,P
C6509	2113946B04	CAP,CHIP,.1UF,+10%,-10%,10V-DC,0402,X5R,-55DEG CMIN,85DEG CMAX	C6526	2113946S35	CAP,CHIP,1UF,+10%,-10%,16V-DC,0603,X5R,-55DEG CMIN,85DEG CMAX,P	C6543	2113946B04	CAP,CHIP,.1UF,+10%,-10%,10V-DC,0402,X5R,-55DEG CMIN,85DEG CMAX	C6561	2113956E91	CAP,FXD,10UF,+10%,-10%,16V-DC,1210,X5R,-55DEG CMIN,85DEG CMAX,P
C6510	2113946B04	CAP,CHIP,.1UF,+10%,-10%,10V-DC,0402,X5R,-55DEG CMIN,85DEG CMAX	C6527	2113946B04	CAP,CHIP,.1UF,+10%,-10%,10V-DC,0402,X5R,-55DEG CMIN,85DEG CMAX	C6544	2113946B04	CAP,CHIP,.1UF,+10%,-10%,10V-DC,0402,X5R,-55DEG CMIN,85DEG CMAX	C6562	2113944A25	CAP,CHIP,10PF,+5%,-5%,50V-DC,0402,C0G,-55DEG CMIN,125DEG CMAX,P
C6511	2113946B04	CAP,CHIP,.1UF,+10%,-10%,10V-DC,0402,X5R,-55DEG CMIN,85DEG CMAX	C6528	2113946S35	CAP,CHIP,1UF,+10%,-10%,16V-DC,0603,X5R,-55DEG CMIN,85DEG CMAX,P	C6545	2113945D04	CAP,CHIP,.1UF,+10%,-10%,25V-DC,0603,X7R,-55DEG CMIN,125DEG CMAX	C6563	NOT PLACED	–
C6512	2113944A40	CAP,CHIP,100PF,+5%,-5%,50V-DC,0402,C0G,-55DEG CMIN,125DEG CMAX	C6529	2113946S35	CAP,CHIP,1UF,+10%,-10%,16V-DC,0603,X5R,-55DEG CMIN,85DEG CMAX,P	C6546	2113946B04	CAP,CHIP,.1UF,+10%,-10%,10V-DC,0402,X5R,-55DEG CMIN,85DEG CMAX	C6564	NOT PLACED	–
C6513	2113944A40	CAP,CHIP,100PF,+5%,-5%,50V-DC,0402,C0G,-55DEG CMIN,125DEG CMAX	C6530	2113946S35	CAP,CHIP,1UF,+10%,-10%,16V-DC,0603,X5R,-55DEG CMIN,85DEG CMAX,P	C6547	NOT PLACED	–	C6565	2113956B33	CAP,FXD,2.2UF,+10%,-10%,16V-DC,0603,X5R,-55DEG CMIN,85DEG CMAX
C6514	2113946S35	CAP,CHIP,1UF,+10%,-10%,16V-DC,0603,X5R,-55DEG CMIN,85DEG CMAX,P				C6548	NOT PLACED	–	C6566	2113956E91	CAP,FXD,10UF,+10%,-10%,16V-DC,1210,X5R,-55DEG CMIN,85DEG CMAX,P
						C6549	NOT PLACED	–			

Ref. Des.	Part Number	Description	Ref. Des.	Part Number	Description	Ref. Des.	Part Number	Description	Ref. Des.	Part Number	Description
C6567	2113956E91	CAP,FXD,10UF,+10%,-10%,16V-DC,1210,X5R,-55DEG CMIN,85DEG CMAX,P	C6585	2113956C37	CAP,FXD,10UF,+10%,-10%,16V-DC,0805,X5R,-55DEG CMIN,85DEG CMAX,P	D6501	4813978A25	DIODE,SWG,BAT54,SM,SOD-323/SC-76,200MA,30V,.2W,SHTK,PB-FREE	L2204	2415429H45	IDCTR,WW,270NH,5%,170MA,CER,SM,CHIP
C6568	NOT PLACED	-	C6586	2113956C35	CAP,FXD,4.7UF,+10%,-10%,16V-DC,0805,X5R,-55DEG CMIN,85DEG CMAX	E2101	NOT PLACED	-	L4001	NOT PLACED	-
C6569	2113956E91	CAP,FXD,10UF,+10%,-10%,16V-DC,1210,X5R,-55DEG CMIN,85DEG CMAX,P	C6587	2113956C35	CAP,FXD,4.7UF,+10%,-10%,16V-DC,0805,X5R,-55DEG CMIN,85DEG CMAX	E2102	NOT PLACED	-	L4002	2475262H01	IDCTR,FXD,1UH,20%,1.1A,.08OHM,CER,SM,1008,TAIYO YUDEN 1 UH
C6570	NOT PLACED	-	C6588	NOT PLACED	-	E2103	NOT PLACED	-	L6501	2471749H01	IDCTR,PWR,560NH,20%,FERR,SM,INDUCTOR,SMT,PWR,.56UH,SHI
C6571	2113956E91	CAP,FXD,10UF,+10%,-10%,16V-DC,1210,X5R,-55DEG CMIN,85DEG CMAX,P	C6589	NOT PLACED	-	E2104	NOT PLACED	-	L6502	2471678H01	IDCTR,10UH,20%,FERR,10UH INDCUTOR
C6572	NOT PLACED	-	C6591	2113944A28	CAP,CHIP,18PF,+5%,-5%,50V-DC,0402,C0G,-55DEG CMIN,125DEG CMAX,P	E2105	NOT PLACED	-	L6503	2488409T03	CHIP INDUCTOR,FXD,180NH,5%,1.3A,FERR,SM
C6573	2113946S35	CAP,CHIP,1UF,+10%,-10%,16V-DC,0603,X5R,-55DEG CMIN,85DEG CMAX,P	C6592	2113944A09	CAP,CHIP,2.2PF,.25PF+/-,50V-DC,0402,C0G,-55DEG CMIN,125DEG CMA	E2106	NOT PLACED	-	L6504	2471962H04	IDCTR,PWR,10UH,20%,FERR,SM,10UH SHLD IDCTR
C6574	2113946S35	CAP,CHIP,1UF,+10%,-10%,16V-DC,0603,X5R,-55DEG CMIN,85DEG CMAX,P	C6594	2113946C07	CAP,FXD,.33UF,+10%,-10%,10V-DC,0603,X5R,-55DEG CMIN,85DEG CMAX	E2107	NOT PLACED	-	L6505	2471678H01	IDCTR,10UH,20%,FERR,10UH INDCUTOR
C6575	2113946S35	CAP,CHIP,1UF,+10%,-10%,16V-DC,0603,X5R,-55DEG CMIN,85DEG CMAX,P	C6601	2113944A28	CAP,CHIP,18PF,+5%,-5%,50V-DC,0402,C0G,-55DEG CMIN,125DEG CMAX,P	F	NOT PLACED	-	L6506	2471678H01	IDCTR,10UH,20%,FERR,10UH INDCUTOR
C6576	2113956B33	CAP,FXD,2.2UF,+10%,-10%,16V-DC,0603,X5R,-55DEG CMIN,85DEG CMAX	C6602	2113944A28	CAP,CHIP,18PF,+5%,-5%,50V-DC,0402,C0G,-55DEG CMIN,125DEG CMAX,P	F	NOT PLACED	-	M6401	3975252H01	CONN,1CONT,CONTACT, MIC
C6577	2113946S35	CAP,CHIP,1UF,+10%,-10%,16V-DC,0603,X5R,-55DEG CMIN,85DEG CMAX,P	D2201	NOT PLACED	-	F	NOT PLACED	-	M6402	3975252H01	CONN,1CONT,CONTACT, MIC
C6578	2113946S35	CAP,CHIP,1UF,+10%,-10%,16V-DC,0603,X5R,-55DEG CMIN,85DEG CMAX,P	D2202	4870359B01	DIODE,SUPR,SM,7.82V,.1W,ESD PROT,V360	F	NOT PLACED	-	M6501	3987977Y04	CONT,CONN,1CONT,ANT UNIV 4.5MM,UC 1.8
C6579	2113946S35	CAP,CHIP,1UF,+10%,-10%,16V-DC,0603,X5R,-55DEG CMIN,85DEG CMAX,P	D2203	4870359B01	DIODE,SUPR,SM,7.82V,.1W,ESD PROT,V360	F	NOT PLACED	-	M6502	0985888K02	BATTERY CONNECTOR,SKT, NI,LEAP
C6580	2113946S35	CAP,CHIP,1UF,+10%,-10%,16V-DC,0603,X5R,-55DEG CMIN,85DEG CMAX,P	D2204	4870359B01	DIODE,SUPR,SM,7.82V,.1W,ESD PROT,V360	FL3001	9171966H01	EMI FILTER,DATA LINE,8CH EMI FILTER/ ESD PROT	MIC	NOT PLACED	-
C6581	2113956B33	CAP,FXD,2.2UF,+10%,-10%,16V-DC,0603,X5R,-55DEG CMIN,85DEG CMAX	D4001	4813978A25	DIODE,SWG,BAT54,SM,SOD-323/SC-76,200MA,30V,.2W,SHTK,PB-FREE	FL3002	9171966H01	EMI FILTER,DATA LINE,8CH EMI FILTER/ ESD PROT	OMAP	NOT PLACED	-
C6582	2113944A21	CAP,CHIP,6.8PF,.5PF+/-,50V-DC,0402,C0G,-55DEG CMIN,125DEG CMAX	D5001	4871785H01	DIODE,SWG,BAS116LT1G,SOT-23/SC-59,SOT-23,200MA,75V,.225W,SWG DI	J1001	0987817K05	CONN,M,40CONT,SM,.5MM PITCH 1.5 STACK HT	P5001	3971831H01	CONT,CONTACT, POGO HDR
C6583	2113944A21	CAP,CHIP,6.8PF,.5PF+/-,50V-DC,0402,C0G,-55DEG CMIN,125DEG CMAX	D6101	4813978A25	DIODE,SWG,BAT54,SM,SOD-323/SC-76,200MA,30V,.2W,SHTK,PB-FREE	J2101	0975595B02	CONN,BTB,2 ROW,RCPT,50CONT,5MM,ST,LOPRO, RECEPTACLE, 50 PIN	P6401	3971831H02	CONT,CONTACT, 2 POGO HDR
C6584	2113956C37	CAP,FXD,10UF,+10%,-10%,16V-DC,0805,X5R,-55DEG CMIN,85DEG CMAX,P	D6301	4813978A25	DIODE,SWG,BAT54,SM,SOD-323/SC-76,200MA,30V,.2W SHTK,PB-FREE	J2301	0975595B05	CONN,F,60CONT,RECEPTACLE, 60 PIN	PWB	8475468B02	PCB,12 LAYER,PCB, MN BRD
			D6401	4813978A25	DIODE,SWG,BAT54,SM,SOD-323/SC-76,200MA,30V,.2W,SHTK,PB-FREE	J3001	0909474T10	RECP INTBD 60CKT 4MM .5MM SMD	Q2201	4809523E05	XSTR,FET GP PWR,MOSFET/ SCHOTTKY DIODE,P-CH, FDFMA2P857,SM,20V
						J4001	0909474T10	RECP INTBD 60CKT 4MM .5MM SMD	Q4001	4815261H01	XSTR,BIP GP SS,NPN, DTC114Y,SC-59,SC-59,SMT3, 50V,100MA,250MHZ
						L1001	NOT PLACED	-	Q5001	4888795V06	XSTR,FET GP PWR,MOSFET, SM,SMT,20V,.25W,LEAD-FREE
						L2201	NOT PLACED	-	Q5002	4888795V06	XSTR,FET GP PWR,MOSFET, SM,SMT,20V,.25W,LEAD-FREE
						L2202	2415429H45	IDCTR,WW,270NH,5%,170MA,CER,SM,CHIP	Q6101	4815261H01	XSTR,BIP GP SS,NPN, DTC114Y,SC-59,SC-59,SMT3, 50V,100MA,250MHZ
						L2203	2415429H45	IDCTR,WW,270NH,5%,170MA,CER,SM,CHIP	Q6401	4888795V06	XSTR,FET GP PWR,MOSFET, SM,SMT,20V,.25W,LEAD-FREE

Ref. Des.	Part Number	Description	Ref. Des.	Part Number	Description	Ref. Des.	Part Number	Description	Ref. Des.	Part Number	Description
Q6501	4813970A62	XSTR,FET GP PWR,MOSFET,P-CH,ENHN,CF,-20V,1.3W,PB-FREE	R1016	0613952R66	RES,MF,0OHM,5%,.0625W,SM,0402,PB-FREE	R2122	0613952R01	RES,MF,10KOHM,5%,.0625W,SM,0402,200PPM/CEL,PB-FREE	R2213	0613952R66	RES,MF,0OHM,5%,.0625W,SM,0402,PB-FREE
Q6502	4805585Q23	XSTR,FET GP SS,TRENCHFET,P,SM,BGA,SMT,-20V,1.47W ,PB-FREE	R1017	0613952Q41	RES,MF,47OHM,5%,.0625W,SM,0402,200PPM/CEL,PB-FREE	R2123	0613952R01	RES,MF,10KOHM,5%,.0625W,SM,0402,200PPM/CEL,PB-FREE	R2214	0613952R66	RES,MF,0OHM,5%,.0625W,SM,0402,PB-FREE
Q6503	4805585Q23	XSTR,FET GP SS,TRENCHFET,P,SM,BGA,SMT,-20V,1.47W, PB-FREE	R1018	0613952R01	RES,MF,10KOHM,5%,.0625W,SM,0402,200PPM/CEL,PB-FREE	R2124	0613952R01	RES,MF,10KOHM,5%,.0625W,SM,0402,200PPM/CEL,PB-FREE	R2215	0613952Q64	RES,MF,430OHM,5%,.0625W,SM,0402,200PPM/CEL,PB-FREE
Q6504	4809579E77	XSTR,FET GP SS,MOSFET,N-CH,SM,30V,1.2X1.2MM PKG W18 COMP	R2101	0613952R66	RES,MF,0OHM,5%,.0625W,SM,0402,PB-FREE	R2125	0613952R01	RES,MF,10KOHM,5%,.0625W,SM,0402,200PPM/CEL,PB-FREE	R2216	0613952R66	RES,MF,0OHM,5%,.0625W,SM,0402,PB-FREE
Q6505	4813970A62	XSTR,FET GP PWR,MOSFET, P-CH,ENHN,CF,-20V,1.3W,PB-FREE	R2102	0613952R66	RES,MF,0OHM,5%,.0625W,SM,0402,PB-FREE	R2126	0613952R01	RES,MF,10KOHM,5%,.0625W,SM,0402,200PPM/CEL,PB-FREE	R2217	NOT PLACED	-
Q6506	4809579E77	XSTR,FET GP SS,MOSFET,N-CH,SM,30V,1.2X1.2MM PKG W18 COMP	R2103	0613952R66	RES,MF,0OHM,5%,.0625W,SM,0402,PB-FREE	R2127	0613952Q73	RES,MF,1KOHM,5%,.0625W,SM,0402,200PPM/CEL,PB-FREE	R2218	NOT PLACED	-
Q6507	4888795V06	XSTR,FET GP PWR,MOSFET,SM,SMT,20V,.25W,LEAD-FREE	R2104	0613952Q89	RES,MF,4.7KOHM,5%,.0625W,SM,0402,200PPM/CEL,PB-FREE	R2128	0613952Q73	RES,MF,1KOHM,5%,.0625W,SM,0402,200PPM/CEL,PB-FREE	R2219	NOT PLACED	-
R1001	0613952R66	RES,MF,0OHM,5%,.0625W,SM,0402,PB-FREE	R2105	0613952Q89	RES,MF,4.7KOHM,5%,.0625W,SM,0402,200PPM/CEL,PB-FREE	R2129	0613952Q73	RES,MF,1KOHM,5%,.0625W,SM,0402,200PPM/CEL,PB-FREE	R2220	NOT PLACED	-
R1002	0613952R66	RES,MF,0OHM,5%,.0625W,SM,0402,PB-FREE	R2106	NOT PLACED	-	R2130	0613952Q73	RES,MF,1KOHM,5%,.0625W,SM,0402,200PPM/CEL,PB-FREE	R2221	NOT PLACED	-
R1003	0613952Q37	RES,MF,33OHM,5%,.0625W,SM,0402,200PPM/CEL,PB-FREE	R2107	0613952Q73	RES,MF,1KOHM,5%,.0625W,SM,0402,200PPM/CEL,PB-FREE	R2131	0613952R01	RES,MF,10KOHM,5%,.0625W,SM,0402,200PPM/CEL,PB-FREE	R2222	NOT PLACED	-
R1004	0613952Q51	RES,MF,120OHM,5%,.0625W,SM,0402,200PPM/CEL,PB-FREE	R2108	0613952R01	RES,MF,10KOHM,5%,.0625W,SM,0402,200PPM/CEL,PB-FREE	R2132	0613952R01	RES,MF,10KOHM,5%,.0625W,SM,0402,200PPM/CEL,PB-FREE	R2223	NOT PLACED	-
R1005	0613952Q59	RES,MF,270OHM,5%,.0625W,SM,0402,200PPM/CEL,PB-FREE	R2109	0613952Q25	RES,MF,10OHM,5%,.0625W,SM,0402,200PPM/CEL,PB-FREE	R2133	0613952Q73	RES,MF,1KOHM,5%,.0625W,SM,0402,200PPM/CEL,PB-FREE	R2224	NOT PLACED	-
R1006	0613952Q59	RES,MF,270OHM,5%,.0625W,SM,0402,200PPM/CEL,PB-FREE	R2110	0613952Q33	RES,MF,22OHM,5%,.0625W,SM,0402,200PPM/CEL,PB-FREE	R2134	0613952Q73	RES,MF,1KOHM,5%,.0625W,SM,0402,200PPM/CEL,PB-FREE	R2225	NOT PLACED	-
R1007	0613952Q56	RES,MF,200OHM,5%,.0625W,SM,0402,200PPM/CEL,PB-FREE	R2111	0613952Q25	RES,MF,10OHM,5%,.0625W,SM,0402,200PPM/CEL,PB-FREE	R2135	0613952Q73	RES,MF,1KOHM,5%,.0625W,SM,0402,200PPM/CEL,PB-FREE	R2226	NOT PLACED	-
R1008	0613952Q56	RES,MF,200OHM,5%,.0625W,SM,0402,200PPM/CEL,PB-FREE	R2112	0613952Q25	RES,MF,10OHM,5%,.0625W,SM,0402,200PPM/CEL,PB-FREE	R2201	0613952R32	RES,MF,200KOHM,5%,.0625W,SM,0402,200PPM/CEL,PB-FREE	R2227	NOT PLACED	-
R1010	0613952R01	RES,MF,10KOHM,5%,.0625W,SM,0402,200PPM/CEL,PB-FREE	R2113	0613952Q25	RES,MF,10OHM,5%,.0625W,SM,0402,200PPM/CEL,PB-FREE	R2202	0613952R25	RES,MF,100KOHM,5%,.0625W,SM,0402,200PPM/CEL,PB-FREE	R2228	NOT PLACED	-
R1011	0613952Q89	RES,MF,4.7KOHM,5%,.0625W,SM,0402,200PPM/CEL,PB-FREE	R2114	0613952Q33	RES,MF,22OHM,5%,.0625W,SM,0402,200PPM/CEL,PB-FREE	R2203	0613952R66	RES,MF,0OHM,5%,.0625W,SM,0402,PB-FREE	R2229	NOT PLACED	-
R1012	0613952R01	RES,MF,10KOHM,5%,.0625W,SM,0402,200PPM/CEL,PB-FREE	R2115	0613952Q25	RES,MF,10OHM,5%,.0625W,SM,0402,200PPM/CEL,PB-FREE	R2204	0613952Q85	RES,MF,3.3KOHM,5%,.0625W,SM,0402,200PPM/CEL,PB-FREE	R2230	NOT PLACED	-
R1013	NOT PLACED	-	R2116	0613952R01	RES,MF,10KOHM,5%,.0625W,SM,0402,200PPM/CEL,PB-FREE	R2205	0613952R66	RES,MF,0OHM,5%,.0625W,SM,0402,PB-FREE	R2301	0613952R66	RES,MF,0OHM,5%,.0625W,SM,0402,PB-FREE
R1014	0613952R66	RES,MF,0OHM,5%,.0625W,SM,0402,PB-FREE	R2117	0613952R01	RES,MF,10KOHM,5%,.0625W,SM,0402,200PPM/CEL,PB-FREE	R2206	0613952Q85	RES,MF,3.3KOHM,5%,.0625W,SM,0402,200PPM/CEL,PB-FREE	R2302	0613952R66	RES,MF,0OHM,5%,.0625W,SM,0402,PB-FREE
R1015	NOT PLACED	-	R2118	0613952R01	RES,MF,10KOHM,5%,.0625W,SM,0402,200PPM/CEL,PB-FREE	R2207	0613952R66	RES,MF,0OHM,5%,.0625W,SM,0402,PB-FREE	R2303	0613952Q35	RES,MF,27OHM,5%,.0625W,SM,0402,200PPM/CEL,PB-FREE
			R2119	0613952R01	RES,MF,10KOHM,5%,.0625W,SM,0402,200PPM/CEL,PB-FREE	R2208	0613952R66	RES,MF,0OHM,5%,.0625W,SM,0402,PB-FREE	R2304	0613952Q35	RES,MF,27OHM,5%,.0625W,SM,0402,200PPM/CEL,PB-FREE
			R2120	0613952R01	RES,MF,10KOHM,5%,.0625W,SM,0402,200PPM/CEL,PB-FREE	R2212	0613952R66	RES,MF,0OHM,5%,.0625W,SM,0402,PB-FREE	R2305	0613952Q35	RES,MF,27OHM,5%,.0625W,SM,0402,200PPM/CEL,PB-FREE
			R2121	NOT PLACED	-				R2306	0613952Q35	RES,MF,27OHM,5%,.0625W,SM,0402,200PPM/CEL,PB-FREE
									R2307	0613952Q35	RES,MF,27OHM,5%,.0625W,SM,0402,200PPM/CEL,PB-FREE
									R2308	0613952Q35	RES,MF,27OHM,5%,.0625W,SM,0402,200PPM/CEL,PB-FREE
									R2309	0613952Q35	RES,MF,27OHM,5%,.0625W,SM,0402,200PPM/CEL,PB-FREE
									R2310	0613952Q35	RES,MF,27OHM,5%,.0625W,SM,0402,200PPM/CEL,PB-FREE

Ref. Des.	Part Number	Description	Ref. Des.	Part Number	Description	Ref. Des.	Part Number	Description	Ref. Des.	Part Number	Description
R2311	0613952Q35	RES,MF,27OHM,5%,.0625W,SM,0402,200PPM/CEL,PB-FREE	R2334	NOT PLACED	–	R4003	0613952R01	RES,MF,10KOHM,5%,.0625W,SM,0402,200PPM/CEL,PB-FREE	R5013	NOT PLACED	–
R2312	0613952Q35	RES,MF,27OHM,5%,.0625W,SM,0402,200PPM/CEL,PB-FREE	R3001	0613952R66	RES,MF,0OHM,5%,.0625W,SM,0402,PB-FREE	R4004	0613952R01	RES,MF,10KOHM,5%,.0625W,SM,0402,200PPM/CEL,PB-FREE	R5014	0613952R01	RES,MF,10KOHM,5%,.0625W,SM,0402,200PPM/CEL,PB-FREE
R2313	0613952Q35	RES,MF,27OHM,5%,.0625W,SM,0402,200PPM/CEL,PB-FREE	R3002	NOT PLACED	–	R4005	0613952R01	RES,MF,10KOHM,5%,.0625W,SM,0402,200PPM/CEL,PB-FREE	R5015	0613952R09	RES,MF,22KOHM,5%,.0625W,SM,0402,200PPM/CEL,PB-FREE
R2314	0613952Q35	RES,MF,27OHM,5%,.0625W,SM,0402,200PPM/CEL,PB-FREE	R3003	0613952R66	RES,MF,0OHM,5%,.0625W,SM,0402,PB-FREE	R4006	0613952R01	RES,MF,10KOHM,5%,.0625W,SM,0402,200PPM/CEL,PB-FREE	R5016	0613952R74	RES,MF,10MOHM,5%,.0625W,SM,0402,400PPM/CEL,PB-FREE
R2315	0613952Q35	RES,MF,27OHM,5%,.0625W,SM,0402,200PPM/CEL,PB-FREE	R3004	0613952R66	RES,MF,0OHM,5%,.0625W,SM,0402,PB-FREE	R4007	0613952R01	RES,MF,10KOHM,5%,.0625W,SM,0402,200PPM/CEL,PB-FREE	R5017	0613952R74	RES,MF,10MOHM,5%,.0625W,SM,0402,400PPM/CEL,PB-FREE
R2316	0613952Q35	RES,MF,27OHM,5%,.0625W,SM,0402,200PPM/CEL,PB-FREE	R3005	0613952R66	RES,MF,0OHM,5%,.0625W,SM,0402,PB-FREE	R4008	0613952R01	RES,MF,10KOHM,5%,.0625W,SM,0402,200PPM/CEL,PB-FREE	R5018	0613952R49	RES,MF,1MOHM,5%,.0625W,SM,0402,200PPM/CEL,PB-FREE
R2317	0613952Q35	RES,MF,27OHM,5%,.0625W,SM,0402,200PPM/CEL,PB-FREE	R3006	0613952R66	RES,MF,0OHM,5%,.0625W,SM,0402,PB-FREE	R4009	0613952Q85	RES,MF,3.3KOHM,5%,.0625W,SM,0402,200PPM/CEL,PB-FREE	R5019	0613952P30	RES,MF,200KOHM,1%,.0625W,SM,0402,200PPM/CEL,PB-FREE
R2318	0613952Q35	RES,MF,27OHM,5%,.0625W,SM,0402,200PPM/CEL,PB-FREE	R3007	0613952R66	RES,MF,0OHM,5%,.0625W,SM,0402,PB-FREE	R4010	0613952R32	RES,MF,200KOHM,5%,.0625W,SM,0402,200PPM/CEL,PB-FREE	R5020	0613952P30	RES,MF,200KOHM,1%,.0625W,SM,0402,200PPM/CEL,PB-FREE
R2319	0613952Q35	RES,MF,27OHM,5%,.0625W,SM,0402,200PPM/CEL,PB-FREE	R3008	0613952R66	RES,MF,0OHM,5%,.0625W,SM,0402,PB-FREE	R4011	0613952R17	RES,MF,47KOHM,5%,.0625W,SM,0402,200PPM/CEL,PB-FREE	R5021	0613952R66	RES,MF,0OHM,5%,.0625W,SM,0402,PB-FREE
R2320	0613952Q35	RES,MF,27OHM,5%,.0625W,SM,0402,200PPM/CEL,PB-FREE	R3009	0613952R66	RES,MF,0OHM,5%,.0625W,SM,0402,PB-FREE	R4012	0613952R09	RES,MF,22KOHM,5%,.0625W,SM,0402,200PPM/CEL,PB-FREE	R5022	0613952R66	RES,MF,0OHM,5%,.0625W,SM,0402,PB-FREE
R2321	0613952Q35	RES,MF,27OHM,5%,.0625W,SM,0402,200PPM/CEL,PB-FREE	R3010	0613952R66	RES,MF,0OHM,5%,.0625W,SM,0402,PB-FREE	R4013	0613952R09	RES,MF,22KOHM,5%,.0625W,SM,0402,200PPM/CEL,PB-FREE	R5023	0613952R25	RES,MF,100KOHM,5%,.0625W,SM,0402,200PPM/CEL,PB-FREE
R2322	0613952Q35	RES,MF,27OHM,5%,.0625W,SM,0402,200PPM/CEL,PB-FREE	R3011	0613952R66	RES,MF,0OHM,5%,.0625W,SM,0402,PB-FREE	R4014	0613952Q85	RES,MF,3.3KOHM,5%,.0625W,SM,0402,200PPM/CEL,PB-FREE	R5024	0613952H25	RES,MF,10OHM,5%,.1W,SM,0603,200PPM/CEL,PB-FREE
R2323	0613952Q35	RES,MF,27OHM,5%,.0625W,SM,0402,200PPM/CEL,PB-FREE	R3012	0613952R66	RES,MF,0OHM,5%,.0625W,SM,0402,PB-FREE	R5001	0613952R09	RES,MF,22KOHM,5%,.0625W,SM,0402,200PPM/CEL,PB-FREE	R5025	0613952R66	RES,MF,0OHM,5%,.0625W,SM,0402,PB-FREE
R2324	0613952Q35	RES,MF,27OHM,5%,.0625W,SM,0402,200PPM/CEL,PB-FREE	R3013	0613952R66	RES,MF,0OHM,5%,.0625W,SM,0402,PB-FREE	R5002	0613952R09	RES,MF,22KOHM,5%,.0625W,SM,0402,200PPM/CEL,PB-FREE	R6101	0613952R01	RES,MF,10KOHM,5%,.0625W,SM,0402,200PPM/CEL,PB-FREE
R2325	0613952R66	RES,MF,0OHM,5%,.0625W,SM,0402,PB-FREE	R3014	0613952R66	RES,MF,0OHM,5%,.0625W,SM,0402,PB-FREE	R5003	NOT PLACED	–	R6104	NOT PLACED	–
R2326	0613952R66	RES,MF,0OHM,5%,.0625W,SM,0402,PB-FREE	R3015	0613952R66	RES,MF,0OHM,5%,.0625W,SM,0402,PB-FREE	R5004	0613952Q75	RES,MF,1.2KOHM,5%,.0625W,SM,0402,200PPM/CEL,PB-FREE	R6105	0613952R66	RES,MF,0OHM,5%,.0625W,SM,0402,PB-FREE
R2327	0613952R66	RES,MF,0OHM,5%,.0625W,SM,0402,PB-FREE	R3016	0613952R66	RES,MF,0OHM,5%,.0625W,SM,0402,PB-FREE	R5005	0613952R49	RES,MF,1MOHM,5%,.0625W,SM,0402,200PPM/CEL,PB-FREE	R6106	0613952R66	RES,MF,0OHM,5%,.0625W,SM,0402,PB-FREE
R2328	0613952R66	RES,MF,0OHM,5%,.0625W,SM,0402,PB-FREE	R3017	0613952R66	RES,MF,0OHM,5%,.0625W,SM,0402,PB-FREE	R5006	0613952R01	RES,MF,10KOHM,5%,.0625W,SM,0402,200PPM/CEL,PB-FREE	R6107	0613952R66	RES,MF,0OHM,5%,.0625W,SM,0402,PB-FREE
R2329	0613952R01	RES,MF,10KOHM,5%,.0625W,SM,0402,200PPM/CEL,PB-FREE	R3018	0613952R66	RES,MF,0OHM,5%,.0625W,SM,0402,PB-FREE	R5007	0613952R66	RES,MF,0OHM,5%,.0625W,SM,0402,PB-FREE	R6108	0613952R66	RES,MF,0OHM,5%,.0625W,SM,0402,PB-FREE
R2330	0613952R01	RES,MF,10KOHM,5%,.0625W,SM,0402,200PPM/CEL,PB-FREE	R3019	0613952R66	RES,MF,0OHM,5%,.0625W,SM,0402,PB-FREE	R5008	0613952R66	RES,MF,0OHM,5%,.0625W,SM,0402,PB-FREE	R6109	0613952Q73	RES,MF,1KOHM,5%,.0625W,SM,0402,200PPM/CEL,PB-FREE
R2331	0613952R01	RES,MF,10KOHM,5%,.0625W,SM,0402,200PPM/CEL,PB-FREE	R3020	0613952R66	RES,MF,0OHM,5%,.0625W,SM,0402,PB-FREE	R5009	0613952R66	RES,MF,0OHM,5%,.0625W,SM,0402,PB-FREE	R6110	0613952Q73	RES,MF,1KOHM,5%,.0625W,SM,0402,200PPM/CEL,PB-FREE
R2332	0613952R01	RES,MF,10KOHM,5%,.0625W,SM,0402,200PPM/CEL,PB-FREE	R3021	0613952R66	RES,MF,0OHM,5%,.0625W,SM,0402,PB-FREE	R5010	0613952Q80	RES,MF,2KOHM,5%,.0625W,SM,0402,200PPM/CEL,PB-FREE	R6111	NOT PLACED	–
R2333	0613952R01	RES,MF,10KOHM,5%,.0625W,SM,0402,200PPM/CEL,PB-FREE	R4001	0613952R66	RES,MF,0OHM,5%,.0625W,SM,0402,PB-FREE	R5011	0613952R66	RES,MF,0OHM,5%,.0625W,SM,0402,PB-FREE	R6112	0613952Q73	RES,MF,1KOHM,5%,.0625W,SM,0402,200PPM/CEL,PB-FREE
			R4002	0613952R01	RES,MF,10KOHM,5%,.0625W,SM,0402,200PPM/CEL,PB-FREE	R5012	NOT PLACED	–	R6113	0613952Q49	RES,MF,100OHM,5%,.0625W,SM,0402,200PPM/CEL,PB-FREE

Ref. Des.	Part Number	Description
R6114	0613952Q49	RES,MF,100OHM,5%,.0625W,SM,0402,200PPM/CEL,PB-FREE
R6115	0613952Q49	RES,MF,100OHM,5%,.0625W,SM,0402,200PPM/CEL,PB-FREE
R6116	NOT PLACED	-
R6117	0613952R01	RES,MF,10KOHM,5%,.0625W,SM,0402,200PPM/CEL,PB-FREE
R6118	0613952R66	RES,MF,0OHM,5%,.0625W,SM,0402,PB-FREE
R6201	NOT PLACED	-
R6202	0613952R01	RES,MF,10KOHM,5%,.0625W,SM,0402,200PPM/CEL,PB-FREE
R6203	0613952R66	RES,MF,0OHM,5%,.0625W,SM,0402,PB-FREE
R6204	0613952R01	RES,MF,10KOHM,5%,.0625W,SM,0402,200PPM/CEL,PB-FREE
R6205	0613952R01	RES,MF,10KOHM,5%,.0625W,SM,0402,200PPM/CEL,PB-FREE
R6206	0613952R25	RES,MF,100KOHM,5%,.0625W,SM,0402,200PPM/CEL,PB-FREE
R6207	0613952R25	RES,MF,100KOHM,5%,.0625W,SM,0402,200PPM/CEL,PB-FREE
R6208	0613952Q89	RES,MF,4.7KOHM,5%,.0625W,SM,0402,200PPM/CEL,PB-FREE
R6209	0613952Q89	RES,MF,4.7KOHM,5%,.0625W,SM,0402,200PPM/CEL,PB-FREE
R6210	0613952Q89	RES,MF,4.7KOHM,5%,.0625W,SM,0402,200PPM/CEL,PB-FREE
R6211	0613952R01	RES,MF,10KOHM,5%,.0625W,SM,0402,200PPM/CEL,PB-FREE
R6212	NOT PLACED	-
R6213	0613952R01	RES,MF,10KOHM,5%,.0625W,SM,0402,200PPM/CEL,PB-FREE
R6214	0613952R01	RES,MF,10KOHM,5%,.0625W,SM,0402,200PPM/CEL,PB-FREE
R6215	0613952R01	RES,MF,10KOHM,5%,.0625W,SM,0402,200PPM/CEL,PB-FREE
R6216	0613952R01	RES,MF,10KOHM,5%,.0625W,SM,0402,200PPM/CEL,PB-FREE
R6217	0613952Q73	RES,MF,1KOHM,5%,.0625W,SM,0402,200PPM/CEL,PB-FREE
R6218	0613952Q80	RES,MF,2KOHM,5%,.0625W,SM,0402,200PPM/CEL,PB-FREE
R6301	0613952R01	RES,MF,10KOHM,5%,.0625W,SM,0402,200PPM/CEL,PB-FREE

Ref. Des.	Part Number	Description
R6302	0613952R25	RES,MF,100KOHM,5%,.0625W,SM,0402,200PPM/CEL,PB-FREE
R6303	0613952R25	RES,MF,100KOHM,5%,.0625W,SM,0402,200PPM/CEL,PB-FREE
R6304	0613952Q25	RES,MF,10OHM,5%,.0625W,SM,0402,200PPM/CEL,PB-FREE
R6305	0613952Q25	RES,MF,10OHM,5%,.0625W,SM,0402,200PPM/CEL,PB-FREE
R6308	0613952R66	RES,MF,0OHM,5%,.0625W,SM,0402,PB-FREE
R6309	0613952R01	RES,MF,10KOHM,5%,.0625W,SM,0402,200PPM/CEL,PB-FREE
R6310	0613952Q37	RES,MF,33OHM,5%,.0625W,SM,0402,200PPM/CEL,PB-FREE
R6311	0613952Q37	RES,MF,33OHM,5%,.0625W,SM,0402,200PPM/CEL,PB-FREE
R6312	0613952Q37	RES,MF,33OHM,5%,.0625W,SM,0402,200PPM/CEL,PB-FREE
R6313	0613952Q37	RES,MF,33OHM,5%,.0625W,SM,0402,200PPM/CEL,PB-FREE
R6314	0613952Q37	RES,MF,33OHM,5%,.0625W,SM,0402,200PPM/CEL,PB-FREE
R6315	0613952R66	RES,MF,0OHM,5%,.0625W,SM,0402,PB-FREE
R6316	0613952R01	RES,MF,10KOHM,5%,.0625W,SM,0402,200PPM/CEL,PB-FREE
R6401	0613952R01	RES,MF,10KOHM,5%,.0625W,SM,0402,200PPM/CEL,PB-FREE
R6402	0613952R32	RES,MF,200KOHM,5%,.0625W,SM,0402,200PPM/CEL,PB-FREE
R6403	0613952Q81	RES,MF,2.2KOHM,5%,.0625W,SM,0402,200PPM/CEL,PB-FREE
R6404	0613952Q81	RES,MF,2.2KOHM,5%,.0625W,SM,0402,200PPM/CEL,PB-FREE
R6405	NOT PLACED	-
R6406	NOT PLACED	-
R6407	0613952Q81	RES,MF,2.2KOHM,5%,.0625W,SM,0402,200PPM/CEL,PB-FREE
R6408	NOT PLACED	-
R6409	NOT PLACED	-
R6410	0613952R01	RES,MF,10KOHM,5%,.0625W,SM,0402,200PPM/CEL,PB-FREE
R6411	0613952R66	RES,MF,0OHM,5%,.0625W,SM,0402,PB-FREE
R6412	NOT PLACED	-

Ref. Des.	Part Number	Description
R6413	NOT PLACED	-
R6414	0613952Q61	RES,MF,330OHM,5%,.0625W,SM,0402,200PPM/CEL,PB-FREE
R6415	0613952Q61	RES,MF,330OHM,5%,.0625W,SM,0402,200PPM/CEL,PB-FREE
R6416	0613952Q61	RES,MF,330OHM,5%,.0625W,SM,0402,200PPM/CEL,PB-FREE
R6417	0613952Q61	RES,MF,330OHM,5%,.0625W,SM,0402,200PPM/CEL,PB-FREE
R6418	0613952R66	RES,MF,0OHM,5%,.0625W,SM,0402,PB-FREE
R6419	0613952Q37	RES,MF,33OHM,5%,.0625W,SM,0402,200PPM/CEL,PB-FREE
R6420	0613952R17	RES,MF,47KOHM,5%,.0625W,SM,0402,200PPM/CEL,PB-FREE
R6421	0613952R01	RES,MF,10KOHM,5%,.0625W,SM,0402,200PPM/CEL,PB-FREE
R6422	0613952Q51	RES,MF,120OHM,5%,.0625W,SM,0402,200PPM/CEL,PB-FREE
R6423	0613952R66	RES,MF,0OHM,5%,.0625W,SM,0402,PB-FREE
R6424	0613952R66	RES,MF,0OHM,5%,.0625W,SM,0402,PB-FREE
R6425	0613952Q80	RES,MF,2KOHM,5%,.0625W,SM,0402,200PPM/CEL,PB-FREE
R6426	0613952Q49	RES,MF,100OHM,5%,.0625W,SM,0402,200PPM/CEL,PB-FREE
R6427	0613952R11	RES,MF,27KOHM,5%,.0625W,SM,0402,200PPM/CEL,PB-FREE
R6428	0613952R25	RES,MF,100KOHM,5%,.0625W,SM,0402,200PPM/CEL,PB-FREE
R6429	0613952R17	RES,MF,47KOHM,5%,.0625W,SM,0402,200PPM/CEL,PB-FREE
R6430	0613952R09	RES,MF,22KOHM,5%,.0625W,SM,0402,200PPM/CEL,PB-FREE
R6431	0613952Q81	RES,MF,2.2KOHM,5%,.0625W,SM,0402,200PPM/CEL,PB-FREE
R6432	NOT PLACED	-
R6433	NOT PLACED	-
R6434	0613952R66	RES,MF,0OHM,5%,.0625W,SM,0402,PB-FREE
R6435	NOT PLACED	-
R6501	0613952Q25	RES,MF,10OHM,5%,.0625W,SM,0402,200PPM/CEL,PB-FREE

Ref. Des.	Part Number	Description
R6502	0613952Q25	RES,MF,10OHM,5%,.0625W,SM,0402,200PPM/CEL,PB-FREE
R6503	0613952Q25	RES,MF,10OHM,5%,.0625W,SM,0402,200PPM/CEL,PB-FREE
R6504	0613952R09	RES,MF,22KOHM,5%,.0625W,SM,0402,200PPM/CEL,PB-FREE
R6505	0613952G67	RES,MF,0OHM,1%,.1W,SM,0603,PB-FREE
R6506	0613952R66	RES,MF,0OHM,5%,.0625W,SM,0402,PB-FREE
R6507	0613952R01	RES,MF,10KOHM,5%,.0625W,SM,0402,200PPM/CEL,PB-FREE
R6508	0613952Q80	RES,MF,2KOHM,5%,.0625W,SM,0402,200PPM/CEL,PB-FREE
R6509	NOT PLACED	-
R6510	0613952R17	RES,MF,47KOHM,5%,.0625W,SM,0402,200PPM/CEL,PB-FREE
R6511	0613952R01	RES,MF,10KOHM,5%,.0625W,SM,0402,200PPM/CEL,PB-FREE
R6512	0613952R25	RES,MF,100KOHM,5%,.0625W,SM,0402,200PPM/CEL,PB-FREE
R6513	0613952R66	RES,MF,0OHM,5%,.0625W,SM,0402,PB-FREE
R6514	0613952Q89	RES,MF,4.7KOHM,5%,.0625W,SM,0402,200PPM/CEL,PB-FREE
R6515	0613952R66	RES,MF,0OHM,5%,.0625W,SM,0402,PB-FREE
R6516	0613952R66	RES,MF,0OHM,5%,.0625W,SM,0402,PB-FREE
R6517	0613952Q63	RES,MF,390OHM,5%,.0625W,SM,0402,200PPM/CEL,PB-FREE
R6518	0613952R66	RES,MF,0OHM,5%,.0625W,SM,0402,PB-FREE
R6519	0613952Q89	RES,MF,4.7KOHM,5%,.0625W,SM,0402,200PPM/CEL,PB-FREE
R6520	0613952Q73	RES,MF,1KOHM,5%,.0625W,SM,0402,200PPM/CEL,PB-FREE
R6521	0615049H01	RES,MF,.2OHM,1%,.5W,1206,KAMAYA 0.2 OHM CHIP RES
R6522	NOT PLACED	-
R6523	0613952R09	RES,MF,22KOHM,5%,.0625W,SM,0402,200PPM/CEL,PB-FREE
R6524	0613952R66	RES,MF,0OHM,5%,.0625W,SM,0402,PB-FREE
R6525	0613952R66	RES,MF,0OHM,5%,.0625W,SM,0402,PB-FREE

Ref. Des.	Part Number	Description	Ref. Des.	Part Number	Description	Ref. Des.	Part Number	Description	Ref. Des.	Part Number	Description
R6526	NOT PLACED	–	R6550	0613952Z64	RES,MF,39KOHM,1%,.0625W,SM,0402,200PPM/CEL,PB-FREE	R6576	0613952R01	RES,MF,10KOHM,5%,.0625W,SM,0402,200PPM/CEL,PB-FREE	R6621	0613952Q89	RES,MF,4.7KOHM,5%,.0625W,SM,0402,200PPM/CEL,PB-FREE
R6527	0613952N87	RES,MF,78.7KOHM,1%,.0625W,SM,0402,200PPM/CEL,PB-FREE	R6551	0613952Z62	RES,MF,33KOHM,1%,.0625W,SM,0402,200PPM/CEL,PB-FREE	R6577	0613952Q89	RES,MF,4.7KOHM,5%,.0625W,SM,0402,200PPM/CEL,PB-FREE	R6622	0613952Q35	RES,MF,27OHM,5%,.0625W,SM,0402,200PPM/CEL,PB-FREE
R6528	0613952R25	RES,MF,100KOHM,5%,.0625W,SM,0402,200PPM/CEL,PB-FREE	R6552	0613952R25	RES,MF,100KOHM,5%,.0625W,SM,0402,200PPM/CEL,PB-FREE	R6578	0613952Q89	RES,MF,4.7KOHM,5%,.0625W,SM,0402,200PPM/CEL,PB-FREE	R6623	0613952Q35	RES,MF,27OHM,5%,.0625W,SM,0402,200PPM/CEL,PB-FREE
R6529	0615049H01	RES,MF,.2OHM,1%,.5W,1206,KAMAYA 0.2 OHM CHIP RES	R6553	0613952R25	RES,MF,100KOHM,5%,.0625W,SM,0402,200PPM/CEL,PB-FREE	R6579	0613952R01	RES,MF,10KOHM,5%,.0625W,SM,0402,200PPM/CEL,PB-FREE	R6624	0613952Q35	RES,MF,27OHM,5%,.0625W,SM,0402,200PPM/CEL,PB-FREE
R6530	0613952L30	RES,MF,200OHM,1%,.0625W,SM,0402,200PPM/CEL,PB-FREE	R6554	0613952R66	RES,MF,0OHM,5%,.0625W,SM,0402,PB-FREE	R6580	0613952R17	RES,MF,47KOHM,5%,.0625W,SM,0402,200PPM/CEL,PB-FREE	R6625	0613952Q35	RES,MF,27OHM,5%,.0625W,SM,0402,200PPM/CEL,PB-FREE
R6531	0613952R01	RES,MF,10KOHM,5%,.0625W,SM,0402,200PPM/CEL,PB-FREE	R6555	NOT PLACED	–	R6581	0613952Q49	RES,MF,100OHM,5%,.0625W,SM,0402,200PPM/CEL,PB-FREE	R6626	0613952R01	RES,MF,10KOHM,5%,.0625W,SM,0402,200PPM/CEL,PB-FREE
R6532	0613952R66	RES,MF,0OHM,5%,.0625W,SM,0402,PB-FREE	R6556	0613952R66	RES,MF,0OHM,5%,.0625W,SM,0402,PB-FREE	R6582	0613952Q89	RES,MF,4.7KOHM,5%,.0625W,SM,0402,200PPM/CEL,PB-FREE	SH1	2675865B02	SHLD,CUST,SHIELD, MACE W/TAMPER CONT
R6533	0613952R66	RES,MF,0OHM,5%,.0625W,SM,0402,PB-FREE	R6557	NOT PLACED	–	R6583	0613952R03	RES,MF,12KOHM,5%,.0625W,SM,0402,200PPM/CEL,PB-FREE	SH2	2675866B01	SHLD,CAN,STL,SN PLT,43.77MMLG,28.05MMW,2.5MM,SHIELD, OMAP MEM
R6534	NOT PLACED	–	R6558	0613952P22	RES,MF,165KOHM,1%,.0625W,SM,0402,200PPM/CEL,PB-FREE	R6584	0613952Q56	RES,MF,200OHM,5%,.0625W,SM,0402,200PPM/CEL,PB-FREE	SH3	2675867B01	SHLD,STL,SN PLT,SHIELD, DISCRETE SWITCHERS
R6535	0613952N01	RES,MF,10KOHM,1%,.0625W,SM,0402,200PPM/CEL,PB-FREE	R6559	0613952P24	RES,MF,174KOHM,1%,.0625W,SM,0402,200PPM/CEL,PB-FREE	R6601	0613952R01	RES,MF,10KOHM,5%,.0625W,SM,0402,200PPM/CEL,PB-FREE	SH4	2675868B01	SHLD,STL,SN PLT,SHIELD, MAKO SWR
R6536	0613952Z72	RES,MF,91KOHM,1%,.0625W,SM,0402,200PPM/CEL,PB-FREE	R6560	0613952R66	RES,MF,0OHM,5%,.0625W,SM,0402,PB-FREE	R6602	0613952R66	RES,MF,0OHM,5%,.0625W,SM,0402,PB-FREE	SH5	2675869B01	SHLD,STL,SN PLT,SHIELD, MAKO
R6537	0613952P09	RES,MF,121KOHM,1%,.0625W,SM,0402,200PPM/CEL,PB-FREE	R6561	0613952R66	RES,MF,0OHM,5%,.0625W,SM,0402,PB-FREE	R6603	0613952R66	RES,MF,0OHM,5%,.0625W,SM,0402,PB-FREE	SH6	2675863B01	SHLD,CAN,STL,SN PLT, 16.97MMLG,13.72MMW,2.3MM,SHIELD, CODEC
R6538	0613952Q95	RES,MF,8.2KOHM,5%,.0625W,SM,0402,200PPM/CEL,PB-FREE	R6562	0613952R66	RES,MF,0OHM,5%,.0625W,SM,0402,PB-FREE	R6604	0613952Q51	RES,MF,120OHM,5%,.0625W,SM,0402,200PPM/CEL,PB-FREE	TP2101	NOT PLACED	–
R6539	0613952P66	RES,MF,475KOHM,1%,.0625W,SM,0402,200PPM/CEL,PB-FREE	R6563	0613952R66	RES,MF,0OHM,5%,.0625W,SM,0402,PB-FREE	R6605	0613952Q51	RES,MF,120OHM,5%,.0625W,SM,0402,200PPM/CEL,PB-FREE	TP2201	NOT PLACED	–
R6540	0613952P66	RES,MF,475KOHM,1%,.0625W,SM,0402,200PPM/CEL,PB-FREE	R6564	0613952R66	RES,MF,0OHM,5%,.0625W,SM,0402,PB-FREE	R6606	0613952Q37	RES,MF,33OHM,5%,.0625W,SM,0402,200PPM/CEL,PB-FREE	TP2202	NOT PLACED	–
R6541	0613952R25	RES,MF,100KOHM,5%,.0625W,SM,0402,200PPM/CEL,PB-FREE	R6565	0613952R66	RES,MF,0OHM,5%,.0625W,SM,0402,PB-FREE	R6607	0613952R66	RES,MF,0OHM,5%,.0625W,SM,0402,PB-FREE	TP5001	NOT PLACED	–
R6542	0613952R66	RES,MF,0OHM,5%,.0625W,SM,0402,PB-FREE	R6566	0613952R66	RES,MF,0OHM,5%,.0625W,SM,0402,PB-FREE	R6608	0613952R01	RES,MF,10KOHM,5%,.0625W,SM,0402,200PPM/CEL,PB-FREE	TP6101	NOT PLACED	–
R6543	NOT PLACED	–	R6567	0613952R66	RES,MF,0OHM,5%,.0625W,SM,0402,PB-FREE	R6609	0613952R25	RES,MF,100KOHM,5%,.0625W,SM,0402,200PPM/CEL,PB-FREE	TP6301	NOT PLACED	–
R6544	0613952G67	RES,MF,0OHM,1%,.1W,SM,0603,PB-FREE	R6568	0613952P47	RES,MF,301KOHM,1%,.0625W,SM,0402,200PPM/CEL,PB-FREE	R6616	0613952Q80	RES,MF,2KOHM,5%,.0625W,SM,0402,200PPM/CEL,PB-FREE	TP6302	NOT PLACED	–
R6545	0613952R25	RES,MF,100KOHM,5%,.0625W,SM,0402,200PPM/CEL,PB-FREE	R6569	0613952P66	RES,MF,475KOHM,1%,.0625W,SM,0402,200PPM/CEL,PB-FREE	R6617	0613952R01	RES,MF,10KOHM,5%,.0625W,SM,0402,200PPM/CEL,PB-FREE	TP6303	NOT PLACED	–
R6546	0613952R66	RES,MF,0OHM,5%,.0625W,SM,0402,PB-FREE	R6570	0613952R66	RES,MF,0OHM,5%,.0625W,SM,0402,PB-FREE	R6618	0613952R01	RES,MF,10KOHM,5%,.0625W,SM,0402,200PPM/CEL,PB-FREE	TP6304	NOT PLACED	–
R6547	0613952R66	RES,MF,0OHM,5%,.0625W,SM,0402,PB-FREE	R6571	NOT PLACED	–	R6619	0613952R01	RES,MF,10KOHM,5%,.0625W,SM,0402,200PPM/CEL,PB-FREE	TP6305	NOT PLACED	–
R6548	NOT PLACED	–	R6572	0613952R66	RES,MF,0OHM,5%,.0625W,SM,0402,PB-FREE	R6620	0613952Q89	RES,MF,4.7KOHM,5%,.0625W,SM,0402,200PPM/CEL,PB-FREE	TP6306	NOT PLACED	–
R6549	0613952R66	RES,MF,0OHM,5%,.0625W,SM,0402,PB-FREE	R6574	0613952R25	RES,MF,100KOHM,5%,.0625W,SM,0402,200PPM/CEL,PB-FREE				TP6307	NOT PLACED	–
									TP6308	NOT PLACED	–
									U2101	5109522E84	IC,DUAL SCHMITT TRIG MICRO PAK
									U2102	5109522E84	IC,DUAL SCHMITT TRIG MICRO PAK

Ref. Des.	Part Number	Description
U2103	5109522E84	IC,DUAL SCHMITT TRIG MICRO PAK
U2201	5171679H01	IC,DISP DRVR,DRIVER LED, SM, LED LT DRVR
U2202	5164852H47	IC,XLTR,2PER PKG,TSSOP8, IC, I2C LEV XLTR
U2203	NOT PLACED	-
U4001	5164852H47	IC,XLTR,2PER PKG,TSSOP8, IC,I2C LEV XLTR
U4002	5171672H01	IC,BFR,SN74LVC2G07,DSBGA,D L BFR W/ OPEN-DRAIN OUTPUTS
U4003	5188691V01	IC,MUX/DEMUX, NC7SB3157P6X,SM,SC70-6, 1PER PKG,BUS,PB FREE
U4004	5116783H01	IC,ANLG SW, SN74LVC2G66YZPR,SM,2PER PKG,0CHANNELS,BILATERAL, DL
U5001	5175114H01	IC,AND,0PER PKG,SM,SNGL AND GATE MICROPAK
U5002	5175114H01	IC,AND,0PER PKG,SM,SNGL AND GATE MICROPAK
U5003	5185912Y03	IC,MICROP,BGA,CRYPTOGRAP HIC PROCESSOR,IC, CRYPTOGRAPHIC P
U5004	5175114H01	IC,AND,0PER PKG,SM,SNGL AND GATE MICROPAK
U5005	5171339H01	IC,VREG/SWG, MC78LC18, TSOT-23,MICROPOWER V REGLTR
U5006	5171988H01	IC,COMPTR,CMOS COMPTR
U6101	0180706J18	PROGRAMMED CPLD
U6102	5188691V01	IC,MUX/DEMUX, NC7SB3157P6X,SM,SC70-6, 1PER PKG,BUS,PB FREE
U6201	5185941F26	IC,COMPTR,LMV7219,SM, SOT-23/5,IC,LM7219, COMPARATOR, NOPB
U6301	5188120J01	IC,256MB
U6302	5102495J13	IC,MICROP,P1710ZZGE,BGA, 12MHZ,32BITS
U6303	5175772B36	IC,ANLG SW,SOT-23, 5CHANNELS,IC, BILATERAL ANLG SW
U6304	0180706J17	IC,PGM,PGM 256MBIT FLSH
U6401	NOT PLACED	-

Ref. Des.	Part Number	Description
U6402	5171674H01	IC,OP AMP,SO-8,OP AMP
U6403	NOT PLACED	-
U6404	NOT PLACED	-
U6405	5188348V06	IC,AUDIO CODEC,BGA,PB FREE
U6406	NOT PLACED	-
U6408	5188521T01	IC,VREF,SM,SOT23,1PER PKG, .5%,1.25 TO 13.75,PRCN BANDGAP ADJUS
U6409	51009000001	IC,COMPTR,SOT-23, NANOPOWER, 1.8V, SOT23 COMPTR
U6410	5109768D14	IC,TEMP SENS,SC70, CALIBRATED
U6501	5185143E77	IC,CUST,BGA,MAKO ASIC, CMOS PWR MGMT
U6502	4871987H01	XSTR,BIP GP POWER,12V,1A, LOW FREQ XSTR
U6503	5171674H01	IC,OP AMP,SO-8,OP AMP
U6504	5171682H01	IC,DC TO DC CONVERTER, 800MA BUCK REGLTR
U6505	5189631P01	IC,SYNC STEP-DOWN CONV
U6506	5184790Y04	IC,LNR V REGLTR,400MA
U6507	5171682H01	IC,DC TO DC CONVERTER, 800MA BUCK REGLTR
U6508	5171682H01	IC,DC TO DC CONVERTER, 800MA BUCK REGLTR
U6509	5175114H01	IC,AND,0PER PKG,SM,SNGL AND GATE MICROPAK
U6511	5171339H01	IC,VREG/SWG, MC78LC18, TSOT-23,MICROPOWER V REGLTR
U6601	5175114H01	IC,AND,0PER PKG,SM,SNGL AND GATE MICROPAK
Y6501	4864005H01	XTAL,QRTZ,24.576MHZ,10PPM TOL,15PPM STAB,SM4,SM,AT
Y6502	4809995L05	RESON,QRTZ,.032768MHZ,SM,F UND,9PF LOAD CAP,-40DEG C MIN,85D
Y6601	4802582S85	RESON,QRTZ,12MHZ,10PPM TOL,18PPM STAB,SM,FUND,AT, 10PF LOAD CAP

MNCN6202A VOCON Board Parts List

Ref. Des.	Part Number	Description
C1001	NOT PLACED	-
C1002	NOT PLACED	-
C1003	NOT PLACED	-
C1004	NOT PLACED	-
C1005	NOT PLACED	-
C1006	NOT PLACED	-
C2101	NOT PLACED	-
C2102	NOT PLACED	-
C2103	2113944A31	CAP,CHIP,33PF,+5%,-10%, 50V-DC,0402,C0G,-55DEG CMIN, 125DEG CMAX,P
C2104	2113946B04	CAP,CHIP,.1UF,+10%,-10%, 10V-DC,0402,X5R,-55DEG CMIN, 85DEG CMAX
C2105	2113944A46	CAP,CHIP,330PF,+5%,-10%, 50V-DC,0402,C0G,-55DEG CMIN, 125DEG CMAX
C2106	NOT PLACED	-
C2107	2113944A46	CAP,CHIP,330PF,+5%,-10%, 50V-DC,0402,C0G,-55DEG CMIN,125DEG CMAX
C2108	2113944A46	CAP,CHIP,330PF,+5%,-10%, 50V-DC,0402,C0G,-55DEG CMIN, 125DEG CMAX
C2109	2113944A46	CAP,CHIP,330PF,+5%,-10%, 50V-DC,0402,C0G,-55DEG CMIN, 125DEG CMAX
C2110	2113944A46	CAP,CHIP,330PF,+5%,-10%, 50V-DC,0402,C0G,-55DEG CMIN, 125DEG CMAX
C2111	2113944A46	CAP,CHIP,330PF,+5%,-10%, 50V-DC,0402,C0G,-55DEG CMIN, 125DEG CMAX
C2112	NOT PLACED	-
C2113	2113944A46	CAP,CHIP,330PF,+5%,-10%, 50V-DC,0402,C0G,-55DEG CMIN, 125DEG CMAX
C2201	2113946B04	CAP,CHIP,.1UF,+10%,-10%, 10V-DC,0402,X5R,-55DEG CMIN, 85DEG CMAX
C2202	2113946B04	CAP,CHIP,.1UF,+10%,-10%, 10V-DC,0402,X5R,-55DEG CMIN, 85DEG CMAX

Ref. Des.	Part Number	Description
C2203	2113946B04	CAP,CHIP,.1UF,+10%,-10%, 10V-DC,0402,X5R,-55DEG CMIN, 85DEG CMAX
C2204	2113946S35	CAP,CHIP,1UF,+10%,-10%, 16VDC, 0603,X5R,-55DEG CMIN, 85DEG CMAX,P
C2205	2113944A52	CAP,CHIP,1000PF,+5%,-5%, 50V-DC,0402,C0G,-55DEG CMIN, 125DEG CMAX
C2206	2113944A52	CAP,CHIP,1000PF,+5%,-5%, 50V-DC,0402,C0G,-55DEG CMIN, 125DEG CMAX
C2208	2113944A52	CAP,CHIP,1000PF,+5%,-5%, 50V-DC,0402,C0G,-55DEG CMIN, 125DEG CMAX
C2209	2113946S35	CAP,CHIP,1UF,+10%,-10%, 16VDC,0603,X5R,-55DEG CMIN, 85DEG CMAX,P
C2211	2113946B04	CAP,CHIP,.1UF,+10%,-10%, 10V-DC,0402,X5R,-55DEG CMIN, 85DEG CMAX
C2212	2113946B04	CAP,CHIP,.1UF,+10%,-10%, 10V-DC,0402,X5R,-55DEG CMIN, 85DEG CMAX
C2213	2113946B04	CAP,CHIP,.1UF,+10%,-10%, 10V-DC,0402,X5R,-55DEG CMIN, 85DEG CMAX
C2214	2113946B04	CAP,CHIP,.1UF,+10%,-10%, 10V-DC,0402,X5R,-55DEG CMIN, 85DEG CMAX
C2215	2113946B04	CAP,CHIP,.1UF,+10%,-10%, 10V-DC,0402,X5R,-55DEG CMIN, 85DEG CMAX
C2216	2113946B04	CAP,CHIP,.1UF,+10%,-10%, 10V-DC,0402,X5R,-55DEG CMIN, 85DEG CMAX
C2301	NOT PLACED	-
C2302	NOT PLACED	-
C2303	NOT PLACED	-
C2304	NOT PLACED	-
C2305	NOT PLACED	-
C2306	NOT PLACED	-
C2307	NOT PLACED	-
C2308	NOT PLACED	-
C2309	NOT PLACED	-
C2310	NOT PLACED	-

Ref. Des.	Part Number	Description
C2311	NOT PLACED	-
C2312	NOT PLACED	-
C2313	NOT PLACED	-
C2314	NOT PLACED	-
C2315	NOT PLACED	-
C2316	NOT PLACED	-
C2317	NOT PLACED	-
C2318	NOT PLACED	-
C2319	NOT PLACED	-
C2320	NOT PLACED	-
C2321	NOT PLACED	-
C2322	NOT PLACED	-
C2323	2113944A46	CAP,CHIP,330PF,+5%,-10%, 50V-DC,0402,C0G,-55DEG CMIN, 125DEG CMAX
C2324	2113944A46	CAP,CHIP,330PF,+5%,-10%, 50V-DC,0402,C0G,-55DEG CMIN, 125DEG CMAX
C2325	2113944A46	CAP,CHIP,330PF,+5%,-10%, 50V-DC,0402,C0G,-55DEG CMIN, 125DEG CMAX
C3001	NOT PLACED	-
C3002	NOT PLACED	-
C3003	NOT PLACED	-
C3004	NOT PLACED	-
C3005	NOT PLACED	-
C3006	NOT PLACED	-
C3007	NOT PLACED	-
C3008	NOT PLACED	-
C3009	NOT PLACED	-
C4001	2113946B04	CAP,CHIP,.1UF,+10%,-10%, 10V-DC,0402,X5R,-55DEG CMIN, 85DEG CMAX
C4002	2113944A31	CAP,CHIP,33PF,+5%,-10%, 50V-DC,0402,C0G,-55DEG CMIN, 125DEG CMAX,P
C4003	2113944A46	CAP,CHIP,330PF,+5%,-10%, 50V-DC,0402,C0G,-55DEG CMIN, 125DEG CMAX
C4004	2113946B04	CAP,CHIP,.1UF,+10%,-10%, 10V-DC,0402,X5R,-55DEG CMIN, 85DEG CMAX

Ref. Des.	Part Number	Description
C4005	2113946B04	CAP,CHIP,.1UF,+10%,-10%, 10V-DC,0402,X5R,-55DEG CMIN, 85DEG CMAX
C4006	2113946B04	CAP,CHIP,.1UF,+10%,-10%, 10V-DC,0402,X5R,-55DEG CMIN, 85DEG CMAX
C4007	2113946B04	CAP,CHIP,.1UF,+10%,-10%, 10V-DC,0402,X5R,-55DEG CMIN, 85DEG CMAX
C5001	2113945A09	CAP,CHIP,1000PF,+10%,-10%, 50V-DC,0402,X7R,-55DEG CMIN, 125DEG CM
C5002	2113945B02	CAP,CHIP,.01UF,+10%,-10%, 25V-DC,0402,X7R,-55DEG CMIN, 125DEG CMA
C5003	2113946B04	CAP,CHIP,.1UF,+10%,-10%, 10V-DC,0402,X5R,-55DEG CMIN, 85DEG CMAX
C5004	2113956B33	CAP,FXD,2.2UF,+10%,-10%, 16V-DC,0603,X5R,-55DEG CMIN, 85DEG CMAX
C5005	2113946B04	CAP,CHIP,.1UF,+10%,-10%, 10V-DC,0402,X5R,-55DEG CMIN, 85DEG CMAX
C5006	2113946B04	CAP,CHIP,.1UF,+10%,-10%, 10V-DC,0402,X5R,-55DEG CMIN, 85DEG CMAX
C5007	2113946B04	CAP,CHIP,.1UF,+10%,-10%, 10V-DC,0402,X5R,-55DEG CMIN, 85DEG CMAX
C5008	2113946B04	CAP,CHIP,.1UF,+10%,-10%, 10V-DC,0402,X5R,-55DEG CMIN, 85DEG CMAX
C5009	2113946B04	CAP,CHIP,.1UF,+10%,-10%, 10V-DC,0402,X5R,-55DEG CMIN, 85DEG CMAX
C5010	2113946B04	CAP,CHIP,.1UF,+10%,-10%, 10V-DC,0402,X5R,-55DEG CMIN, 85DEG CMAX
C5011	2113946B04	CAP,CHIP,.1UF,+10%,-10%, 10V-DC,0402,X5R,-55DEG CMIN, 85DEG CMAX
C5012	2113946B04	CAP,CHIP,.1UF,+10%,-10%, 10V-DC,0402,X5R,-55DEG CMIN, 85DEG CMAX
C5013	2113946B04	CAP,CHIP,.1UF,+10%,-10%, 10V-DC,0402,X5R,-55DEG CMIN, 85DEG CMAX

Ref. Des.	Part Number	Description	Ref. Des.	Part Number	Description	Ref. Des.	Part Number	Description	Ref. Des.	Part Number	Description
C5014	2113946B04	CAP,CHIP,.1UF,+10%,-10%, 10V-DC,0402,X5R,-55DEG CMIN, 85DEG CMAX	C6104	2113946B04	CAP,CHIP,.1UF,+10%,-10%, 10V-DC,0402,X5R,-55DEG CMIN, 85DEG CMAX	C6302	2113946B04	CAP,CHIP,.1UF,+10%,-10%, 10V-DC,0402,X5R,-55DEG CMIN, 85DEG CMAX	C6408	2113946B04	CAP,CHIP,.1UF,+10%,-10%, 10V-DC,0402,X5R,-55DEG CMIN, 85DEG CMAX
C5015	2113946B04	CAP,CHIP,.1UF,+10%,-10%, 10V-DC,0402,X5R,-55DEG CMIN, 85DEG CMAX	C6105	2113946B04	CAP,CHIP,.1UF,+10%,-10%, 10V-DC,0402,X5R,-55DEG CMIN, 85DEG CMAX	C6303	2113946B04	CAP,CHIP,.1UF,+10%,-10%, 10V-DC,0402,X5R,-55DEG CMIN, 85DEG CMAX	C6409	NOT PLACED	-
C5016	2113946B04	CAP,CHIP,.1UF,+10%,-10%, 10V-DC,0402,X5R,-55DEG CMIN, 85DEG CMAX	C6106	2113946B04	CAP,CHIP,.1UF,+10%,-10%, 10V-DC,0402,X5R,-55DEG CMIN, 85DEG CMAX	C6304	2113946B04	CAP,CHIP,.1UF,+10%,-10%, 10V-DC,0402,X5R,-55DEG CMIN, 85DEG CMAX	C6410	2113946B04	CAP,CHIP,.1UF,+10%,-10%, 10V-DC,0402,X5R,-55DEG CMIN, 85DEG CMAX
C5017	2113946B04	CAP,CHIP,.1UF,+10%,-10%, 10V-DC,0402,X5R,-55DEG CMIN, 85DEG CMAX	C6107	2113946B04	CAP,CHIP,.1UF,+10%,-10%, 10V-DC,0402,X5R,-55DEG CMIN, 85DEG CMAX	C6305	2113946S35	CAP,CHIP,.1UF,+10%,-10%, 16V-DC,0603,X5R,-55DEG CMIN, 85DEG CMAX,P	C6411	2113946B04	CAP,CHIP,.1UF,+10%,-10%, 10V-DC,0402,X5R,-55DEG CMIN, 85DEG CMAX
C5018	2113946B04	CAP,CHIP,.1UF,+10%,-10%, 10V-DC,0402,X5R,-55DEG CMIN, 85DEG CMAX	C6108	2113946B04	CAP,CHIP,.1UF,+10%,-10%, 10V-DC,0402,X5R,-55DEG CMIN, 85DEG CMAX	C6306	2113946S35	CAP,CHIP,.1UF,+10%,-10%, 16V-DC,0603,X5R,-55DEG CMIN, 85DEG CMAX,P	C6412	NOT PLACED	-
C5019	2113946B04	CAP,CHIP,.1UF,+10%,-10%, 10V-DC,0402,X5R,-55DEG CMIN, 85DEG CMAX	C6109	2113946B04	CAP,CHIP,.1UF,+10%,-10%, 10V-DC,0402,X5R,-55DEG CMIN, 85DEG CMAX	C6307	2113946B04	CAP,CHIP,.1UF,+10%,-10%, 10V-DC,0402,X5R,-55DEG CMIN, 85DEG CMAX	C6413	2113946B04	CAP,CHIP,.1UF,+10%,-10%, 10V-DC,0402,X5R,-55DEG CMIN, 85DEG CMAX
C5020	2113946B04	CAP,CHIP,.1UF,+10%,-10%, 10V-DC,0402,X5R,-55DEG CMIN, 85DEG CMAX	C6110	2113946B04	CAP,CHIP,.1UF,+10%,-10%, 10V-DC,0402,X5R,-55DEG CMIN, 85DEG CMAX	C6308	2113946B04	CAP,CHIP,.1UF,+10%,-10%, 10V-DC,0402,X5R,-55DEG CMIN, 85DEG CMAX	C6414	2113946B04	CAP,CHIP,.1UF,+10%,-10%, 10V-DC,0402,X5R,-55DEG CMIN, 85DEG CMAX
C5021	2113946B04	CAP,CHIP,.1UF,+10%,-10%, 10V-DC,0402,X5R,-55DEG CMIN, 85DEG CMAX	C6111	2113946B04	CAP,CHIP,.1UF,+10%,-10%, 10V-DC,0402,X5R,-55DEG CMIN, 85DEG CMAX	C6309	2113946B04	CAP,CHIP,.1UF,+10%,-10%, 10V-DC,0402,X5R,-55DEG CMIN, 85DEG CMAX	C6415	NOT PLACED	-
C5022	2113946B04	CAP,CHIP,.1UF,+10%,-10%, 10V-DC,0402,X5R,-55DEG CMIN, 85DEG CMAX	C6112	2113946B04	CAP,CHIP,.1UF,+10%,-10%, 10V-DC,0402,X5R,-55DEG CMIN, 85DEG CMAX	C6310	2113946B04	CAP,CHIP,.1UF,+10%,-10%, 10V-DC,0402,X5R,-55DEG CMIN, 85DEG CMAX	C6416	2113945B04	CAP,FXD,.022UF,+10%,-10%, 25V-DC,0402,X7R,-55DEG CMIN, 125DEG CMA
C5023	2113946B04	CAP,CHIP,.1UF,+10%,-10%, 10V-DC,0402,X5R,-55DEG CMIN, 85DEG CMAX	C6113	2113946B04	CAP,CHIP,.1UF,+10%,-10%, 10V-DC,0402,X5R,-55DEG CMIN, 85DEG CMAX	C6311	2113946B04	CAP,CHIP,.1UF,+10%,-10%, 10V-DC,0402,X5R,-55DEG CMIN, 85DEG CMAX	C6417	2113945B04	CAP,FXD,.022UF,+10%,-10%, 25V-DC,0402,X7R,-55DEG CMIN, 125DEG CMA
C5024	2113946B04	CAP,CHIP,.1UF,+10%,-10%, 10V-DC,0402,X5R,-55DEG CMIN, 85DEG CMAX	C6114	2113946B04	CAP,CHIP,.1UF,+10%,-10%, 10V-DC,0402,X5R,-55DEG CMIN, 85DEG CMAX	C6401	NOT PLACED	-	C6418	2113946B04	CAP,CHIP,.1UF,+10%,-10%, 10V-DC,0402,X5R,-55DEG CMIN, 85DEG CMAX
C5025	2113946B04	CAP,CHIP,.1UF,+10%,-10%, 10V-DC,0402,X5R,-55DEG CMIN, 85DEG CMAX	C6115	2113946B04	CAP,CHIP,.1UF,+10%,-10%, 10V-DC,0402,X5R,-55DEG CMIN, 85DEG CMAX	C6402	2113956A51	CAP,FXD,.1UF,+10%,-10%, 6.3V-DC,0402,X5R,-55DEG CMIN, 85DEG CMAX,P	C6419	2113946B04	CAP,CHIP,.1UF,+10%,-10%, 10V-DC,0402,X5R,-55DEG CMIN, 85DEG CMAX
C5026	2113946B04	CAP,CHIP,.1UF,+10%,-10%, 10V-DC,0402,X5R,-55DEG CMIN, 85DEG CMAX	C6201	2113944A40	CAP,CHIP,100PF,+5%,-10%, 50V-DC,0402,C0G,-55DEG CMIN, 125DEG CMAX	C6403	2113946B04	CAP,CHIP,.1UF,+10%,-10%, 10V-DC,0402,X5R,-55DEG CMIN, 85DEG CMAX	C6420	2113945B04	CAP,FXD,.022UF,+10%,-10%, 25V-DC,0402,X7R,-55DEG CMIN, 125DEG CMA
C5027	2113946B04	CAP,CHIP,.1UF,+10%,-10%, 10V-DC,0402,X5R,-55DEG CMIN, 85DEG CMAX	C6202	2113945A09	CAP,CHIP,1000PF,+10%,-10%, 50V-DC,0402,X7R,-55DEG CMIN, 125DEG CM	C6404	2113946B04	CAP,CHIP,.1UF,+10%,-10%, 10V-DC,0402,X5R,-55DEG CMIN, 85DEG CMAX	C6421	2113946B04	CAP,CHIP,.1UF,+10%,-10%, 10V-DC,0402,X5R,-55DEG CMIN, 85DEG CMAX
C5028	2113946B04	CAP,CHIP,.1UF,+10%,-10%, 10V-DC,0402,X5R,-55DEG CMIN, 85DEG CMAX	C6203	2113946B04	CAP,CHIP,.1UF,+10%,-10%, 10V-DC,0402,X5R,-55DEG CMIN, 85DEG CMAX	C6405	NOT PLACED	-	C6422	2113946C02	CAP,CHIP,.22UF,+10%,-10%, 10V-DC,0603,X5R,-55DEG CMIN, 85DEG CMAX
C6101	NOT PLACED	-	C6301	2113946B04	CAP,CHIP,.1UF,+10%,-10%, 10V-DC,0402,X5R,-55DEG CMIN, 85DEG CMAX	C6406	2113946B04	CAP,CHIP,.1UF,+10%,-10%, 10V-DC,0402,X5R,-55DEG CMIN, 85DEG CMAX	C6423	2113946B04	CAP,CHIP,.1UF,+10%,-10%, 10V-DC,0402,X5R,-55DEG CMIN, 85DEG CMAX
C6102	NOT PLACED	-				C6407	2113946B04	CAP,CHIP,.1UF,+10%,-10%, 10V-DC,0402,X5R,-55DEG CMIN, 85DEG CMAX	C6424	2113944A40	CAP,CHIP,100PF,+5%,-10%, 50V-DC,0402,C0G,-55DEG CMIN, 125DEG CMAX
C6103	NOT PLACED	-							C6425	2113944A40	CAP,CHIP,100PF,+5%,-10%, 50V-DC,0402,C0G,-55DEG CMIN, 125DEG CMAX

Ref. Des.	Part Number	Description	Ref. Des.	Part Number	Description	Ref. Des.	Part Number	Description	Ref. Des.	Part Number	Description
C6426	2113945B02	CAP,CHIP,.01UF,+10%,-10%, 25V-DC,0402,X7R,-55DEG CMIN, 125DEG CMA	C6512	2113946B04	CAP,CHIP,.1UF,+10%,-10%, 10V-DC,0402,X5R,-55DEG CMIN, 85DEG CMAX	C6528	2113946S35	CAP,CHIP,1UF,+10%,-10%, 16V-DC,0603,X5R,-55DEG CMIN, 85DEG CMAX,P	C6545	2113945D04	CAP,CHIP,.1UF,+10%,-10%, 25V-DC,0603,X7R,-55DEG CMIN, 125DEG CMAX
C6427	2113944A50	CAP,CHIP,680PF,+5%,-10%, 50V-DC,0402,C0G,-55DEG CMIN, 125DEG CMAX	C6513	2113944A40	CAP,CHIP,100PF,+5%,-10%, 50V-DC,0402,C0G,-55DEG CMIN, 125DEG CMAX	C6529	2113946B04	CAP,CHIP,.1UF,+10%,-10%, 10V-DC,0402,X5R,-55DEG CMIN, 85DEG CMAX	C6546	2113946B04	CAP,CHIP,.1UF,+10%,-10%, 10V-DC,0402,X5R,-55DEG CMIN, 85DEG CMAX
C6428	2113944A40	CAP,CHIP,100PF,+5%,-10%, 50V-DC,0402,C0G,-55DEG CMIN, 125DEG CMAX	C6514	2113946S35	CAP,CHIP,1UF,+10%,-10%, 16V-DC,0603,X5R,-55DEG CMIN, 85DEG CMAX,P	C6530	2113946S35	CAP,CHIP,1UF,+10%,-10%, 16V-DC,0603,X5R,-55DEG CMIN, 85DEG CMAX,P	C6547	NOT PLACED	-
C6429	NOT PLACED	-	C6515	2113946B04	CAP,CHIP,.1UF,+10%,-10%, 10V-DC,0402,X5R,-55DEG CMIN, 85DEG CMAX	C6531	2113946B04	CAP,CHIP,.1UF,+10%,-10%, 10V-DC,0402,X5R,-55DEG CMIN, 85DEG CMAX	C6548	NOT PLACED	-
C6430	2113946B04	CAP,CHIP,.1UF,+10%,-10%, 10V-DC,0402,X5R,-55DEG CMIN, 85DEG CMAX	C6516	2113944A40	CAP,CHIP,100PF,+5%,-10%, 50V-DC,0402,C0G,-55DEG CMIN,125DEG CMAX	C6532	2113946S35	CAP,CHIP,1UF,+10%,-10%, 16V-DC,0603,X5R,-55DEG CMIN, 85DEG CMAX,P	C6549	NOT PLACED	-
C6431	NOT PLACED	-	C6517	2113946B04	CAP,CHIP,.1UF,+10%,-10%, 10V-DC,0402,X5R,-55DEG CMIN, 85DEG CMAX	C6533	2113946S35	CAP,CHIP,1UF,+10%,-10%, 16V-DC,0603,X5R,-55DEG CMIN, 85DEG CMAX,P	C6550	2113945D04	CAP,CHIP,.1UF,+10%,-10%, 25V-DC,0603,X7R,-55DEG CMIN, 125DEG CMAX
C6501	2113946B04	CAP,CHIP,.1UF,+10%,-10%, 10V-DC,0402,X5R,-55DEG CMIN, 85DEG CMAX	C6518	2113944A40	CAP,CHIP,100PF,+5%,-10%, 50V-DC,0402,C0G,-55DEG CMIN,125DEG CMAX	C6534	2113956B33	CAP,FXD,2.2UF,+10%,-10%, 16V-DC,0603,X5R,-55DEG CMIN, 85DEG CMAX	C6551	2113945D04	CAP,CHIP,.1UF,+10%,-10%, 25V-DC,0603,X7R,-55DEG CMIN, 125DEG CMAX
C6502	2113946B04	CAP,CHIP,.1UF,+10%,-10%, 10V-DC,0402,X5R,-55DEG CMIN, 85DEG CMAX	C6519	2113946S35	CAP,CHIP,1UF,+10%,-10%, 16V-DC,0603,X5R,-55DEG CMIN, 85DEG CMAX,P	C6535	2113944A40	CAP,CHIP,100PF,+5%,-10%, 50V-DC,0402,C0G,-55DEG CMIN, 125DEG CMAX	C6552	2113956E91	CAP,FXD,10UF,+10%,-10%, 16V-DC,1210,X5R,-55DEG CMIN, 85DEG CMAX,P
C6503	2113944A31	CAP,CHIP,33PF,+5%,-10%, 50V-DC,0402,C0G,-55DEG CMIN, 125DEG CMAX,P	C6520	2113946S35	CAP,CHIP,1UF,+10%,-10%, 16V-DC,0603,X5R,-55DEG CMIN, 85DEG CMAX,P	C6536	2113944A28	CAP,CHIP,18PF,+5%,-10%, 50V-DC,0402,C0G,-55DEG CMIN, 125DEG CMAX,P	C6553	2113956E91	CAP,FXD,10UF,+10%,-10%, 16V-DC,1210,X5R,-55DEG CMIN, 85DEG CMAX,P
C6504	2113946B04	CAP,CHIP,.1UF,+10%,-10%, 10V-DC,0402,X5R,-55DEG CMIN, 85DEG CMAX	C6521	2113944A31	CAP,CHIP,33PF,+5%,-10%, 50V-DC,0402,C0G,-55DEG CMIN, 125DEG CMAX,P	C6537	2113944A19	CAP,CHIP,5.6PF,.5PF+/-,50V-DC,0402,C0G,-55DEG CMIN, 125DEG CMAX	C6554	2113946B04	CAP,CHIP,.1UF,+10%,-10%, 10V-DC,0402,X5R,-55DEG CMIN, 85DEG CMAX
C6505	2113946B04	CAP,CHIP,.1UF,+10%,-10%, 10V-DC,0402,X5R,-55DEG CMIN, 85DEG CMAX	C6522	2113946S35	CAP,CHIP,1UF,+10%,-10%, 16V-DC,0603,X5R,-55DEG CMIN, 85DEG CMAX,P	C6538	2113956B33	CAP,FXD,2.2UF,+10%,-10%, 16V-DC,0603,X5R,-55DEG CMIN,85DEG CMAX	C6555	2113955D45	CAP,FXD,4.7UF,+10%,-10%, 10V-DC,1206,X7R,-55DEG CMIN, 125DEG CMAX
C6506	2113946B04	CAP,CHIP,.1UF,+10%,-10%, 10V-DC,0402,X5R,-55DEG CMIN, 85DEG CMAX	C6523	2113946S35	CAP,CHIP,1UF,+10%,-10%, 16V-DC,0603,X5R,-55DEG CMIN, 85DEG CMAX,P	C6539	2113956B33	CAP,FXD,2.2UF,+10%,-10%, 16V-DC,0603,X5R,-55DEG CMIN, 85DEG CMAX	C6556	2113956E91	CAP,FXD,10UF,+10%,-10%, 16V-DC,1210,X5R,-55DEG CMIN, 85DEG CMAX,P
C6507	2113946B04	CAP,CHIP,.1UF,+10%,-10%, 10V-DC,0402,X5R,-55DEG CMIN, 85DEG CMAX	C6524	2113946B04	CAP,CHIP,.1UF,+10%,-10%, 10V-DC,0402,X5R,-55DEG CMIN, 85DEG CMAX	C6540	2113945A09	CAP,CHIP,1000PF,+10%,-10%, 50V-DC,0402,X7R,-55DEG CMIN, 125DEG CM	C6557	2113945D04	CAP,CHIP,.1UF,+10%,-10%, 25V-DC,0603,X7R,-55DEG CMIN, 125DEG CMAX
C6508	2113946B04	CAP,CHIP,.1UF,+10%,-10%, 10V-DC,0402,X5R,-55DEG CMIN, 85DEG CMAX	C6525	2113946S35	CAP,CHIP,1UF,+10%,-10%, 16V-DC,0603,X5R,-55DEG CMIN, 85DEG CMAX,P	C6541	2113944A19	CAP,CHIP,5.6PF,.5PF+/-,50V-DC,0402,C0G,-55DEG CMIN, 125DEG CMAX	C6558	2113944A21	CAP,CHIP,6.8PF,.5PF+/-,50V-DC,0402,C0G,-55DEG CMIN, 125DEG CMAX
C6509	2113946B04	CAP,CHIP,.1UF,+10%,-10%, 10V-DC,0402,X5R,-55DEG CMIN, 85DEG CMAX	C6526	2113946S35	CAP,CHIP,1UF,+10%,-10%, 16V-DC,0603,X5R,-55DEG CMIN, 85DEG CMAX,P	C6542	2113946B04	CAP,CHIP,.1UF,+10%,-10%, 10V-DC,0402,X5R,-55DEG CMIN, 85DEG CMAX	C6559	2113946S35	CAP,CHIP,1UF,+10%,-10%, 16V-DC,0603,X5R,-55DEG CMIN ,85DEG CMAX,P
C6510	2113946B04	CAP,CHIP,.1UF,+10%,-10%, 10V-DC,0402,X5R,-55DEG CMIN, 85DEG CMAX	C6527	2113946B04	CAP,CHIP,.1UF,+10%,-10%, 10V-DC,0402,X5R,-55DEG CMIN, 85DEG CMAX	C6543	2113946B04	CAP,CHIP,.1UF,+10%,-10%, 10V-DC,0402,X5R,-55DEG CMIN, 85DEG CMAX	C6560	2113956E91	CAP,FXD,10UF,+10%,-10%, 16V-DC,1210,X5R,-55DEG CMIN, 85DEG CMAX,P
C6511	2113946B04	CAP,CHIP,.1UF,+10%,-10%, 10V-DC,0402,X5R,-55DEG CMIN, 85DEG CMAX				C6544	2113946B04	CAP,CHIP,.1UF,+10%,-10%, 10V-DC,0402,X5R,-55DEG CMIN, 85DEG CMAX	C6561	2113956E91	CAP,FXD,10UF,+10%,-10%, 16V-DC,1210,X5R,-55DEG CMIN, 85DEG CMAX,P
									C6562	2113944A25	CAP,CHIP,10PF,.5PF+/-,50V-DC,0402,C0G,-55DEG CMIN, 125DEG CMAX

Ref. Des.	Part Number	Description	Ref. Des.	Part Number	Description	Ref. Des.	Part Number	Description	Ref. Des.	Part Number	Description
C6563	NOT PLACED	-	C6582	2113944A21	CAP,CHIP,6.8PF,.5PF+/-,50V-DC,0402,C0G,-55DEG CMIN,125DEG CMAX	D2204	4870359B01	DIODE,SUPR,SM,7.82V,.1W,ESD PROT,V360	J4001	0909474T10	RECP INTBD 60CKT 4MM .5MM SMD
C6564	NOT PLACED	-	C6583	2113944A21	CAP,CHIP,6.8PF,.5PF+/-,50V-DC,0402,C0G,-55DEG CMIN,125DEG CMAX	D4001	4813978A25	DIODE,SWG,BAT54,SM,SOD-323/SC-76,200MA,30V,.2W,SHTK,PB-FREE, W18	L1001	NOT PLACED	-
C6565	2113956B33	CAP,FXD,2.2UF,+10%,-10%,16V-DC,0603,X5R,-55DEG CMIN,85DEG CMAX	C6584	2113956C37	CAP,FXD,10UF,+10%,-10%,16V-DC,0805,X5R,-55DEG CMIN,85DEG CMAX,P	D5001	4871785H01	DIODE,SWG,BAS116LT1G,SOT-23/SC-59,SOT-23,200MA,75V,.225W,SWG DI	L2202	2415429H45	IDCTR,WW,270NH,5%,170MA,CER,SM,CHIP
C6566	2113956E91	CAP,FXD,10UF,+10%,-10%,16V-DC,1210,X5R,-55DEG CMIN,85DEG CMAX,P	C6585	2113956C37	CAP,FXD,10UF,+10%,-10%,16V-DC,0805,X5R,-55DEG CMIN,85DEG CMAX,P	D6101	4813978A25	DIODE,SWG,BAT54,SM,SOD-323/SC-76,200MA,30V,.2W,SHTK,PB-FREE, W18	L2203	2415429H45	IDCTR,WW,270NH,5%,170MA,CER,SM,CHIP
C6567	2113956E91	CAP,FXD,10UF,+10%,-10%,16V-DC,1210,X5R,-55DEG CMIN,85DEG CMAX,P	C6586	2113956C35	CAP,FXD,4.7UF,+10%,-10%,16V-DC,0805,X5R,-55DEG CMIN,85DEG CMAX	D6301	4813978A25	DIODE,SWG,BAT54,SM,SOD-323/SC-76,200MA,30V,.2W,SHTK,PB-FREE, W18	L2204	2415429H45	IDCTR,WW,270NH,5%,170MA,CER,SM,CHIP
C6568	NOT PLACED	-	C6587	2113956C35	CAP,FXD,4.7UF,+10%,-10%,16V-DC,0805,X5R,-55DEG CMIN,85DEG CMAX	D6401	4813978A25	DIODE,SWG,BAT54,SM,SOD-323/SC-76,200MA,30V,.2W,SHTK,PB-FREE, W18	L4001	NOT PLACED	-
C6569	2113956E91	CAP,FXD,10UF,+10%,-10%,16V-DC,1210,X5R,-55DEG CMIN,85DEG CMAX,P	C6588	NOT PLACED	-	D6501	4813978A25	DIODE,SWG,BAT54,SM,SOD-323/SC-76,200MA,30V,.2W,SHTK,PB-FREE, W18	L4002	2475262H01	IDCTR,FXD,4.7UH,20%,1.1A,.15OHM,CER,180MHZ SRF,SM,1008,TAIY
C6570	NOT PLACED	-	C6589	NOT PLACED	-	E2101	NOT PLACED	-	L6501	2471749H01	IDCTR,PWR,560NH,SM,INDUCTOR,SMT,PWR,.56 UH,SHIELDED
C6571	2113956E91	CAP,FXD,10UF,+10%,-10%,16V-DC,1210,X5R,-55DEG CMIN,85DEG CMAX,P	C6591	2113944A28	CAP,CHIP,18PF,+5%,-10%,50V-DC,0402,C0G,-55DEG CMIN,125DEG CMAX,P	E2102	NOT PLACED	-	L6502	2471678H01	IDCTR,10UH,20%,FERR,10UH INDCUTOR
C6572	NOT PLACED	-	C6592	2113944A09	CAP,CHIP,2.2PF,.25PF+/-,50V-DC,0402,C0G,-55DEG CMIN,125DEG CMA	E2103	NOT PLACED	-	L6503	2488409T03	CHIP INDUCTOR,FXD,180NH,5%,1.3A,FERR,SM
C6573	2113946S35	CAP,CHIP,1UF,+10%,-10%,16V-DC,0603,X5R,-55DEG CMIN,85DEG CMAX,P	C6594	2113946C07	CAP,FXD,.33UF,+10%,-10%,10V-DC,0603,X5R,-55DEG CMIN,85DEG CMAX	E2104	NOT PLACED	-	L6504	2471962H04	IDCTR,PWR,10UH,20%,FERR,SM,SHLD IDCTR
C6574	2113946S35	CAP,CHIP,1UF,+10%,-10%,16V-DC,0603,X5R,-55DEG CMIN,85DEG CMAX,P	C6596	2113945B02	CAP,CHIP,.1UF,+10%,-10%,10V-DC,0402,X5R,-55DEG CMIN,85DEG CMAX	E2105	NOT PLACED	-	L6505	2471678H01	IDCTR,10UH,20%,FERR,10UH INDCUTOR
C6575	2113946S35	CAP,CHIP,1UF,+10%,-10%,16V-DC,0603,X5R,-55DEG CMIN,85DEG CMAX,P	C6597	2113946B04	CAP,CHIP,.1UF,+10%,-10%,10V-DC,0402,X5R,-55DEG CMIN,85DEG CMAX	E2106	NOT PLACED	-	L6506	2471678H01	IDCTR,10UH,20%,FERR,10UH INDCUTOR
C6576	2113956B33	CAP,FXD,2.2UF,+10%,-10%,16V-DC,0603,X5R,-55DEG CMIN,85DEG CMAX	C6598	2113946B04	CAP,CHIP,.1UF,+10%,-10%,10V-DC,0402,X5R,-55DEG CMIN,85DEG CMAX	E2107	NOT PLACED	-	M6401	3975252H01	1CONT,CONTACT, MIC
C6577	2113946S35	CAP,CHIP,1UF,+10%,-10%,16V-DC,0603,X5R,-55DEG CMIN,85DEG CMAX,P	C6601	2113944A28	CAP,CHIP,18PF,+5%,-10%,50V-DC,0402,C0G,-55DEG CMIN,125DEG CMAX,P	E6501	2480067M02	FIXED INDUCTOR,FXD,200MA,.4OHM,FERR,0805,CHK RF CHIP BE	M6402	3975252H01	1CONT,CONTACT, MIC
C6578	2113946S35	CAP,CHIP,1UF,+10%,-10%,16V-DC,0603,X5R,-55DEG CMIN,85DEG CMAX,P	C6602	2113944A28	CAP,CHIP,18PF,+5%,-10%,50V-DC,0402,C0G,-55DEG CMIN,125DEG CMAX,P	E6502	2480067M02	FIXED INDUCTOR,FXD,200MA,.4OHM,FERR,0805,CHK RF CHIP BE	M6501	3987977Y04	CONT,CONN,1CONT,ANT UNIV 4.5MM,UC 1.8
C6579	2113946S35	CAP,CHIP,1UF,+10%,-10%,16V-DC,0603,X5R,-55DEG CMIN,85DEG CMAX,P	D2202	4870359B01	DIODE,SUPR,SM,7.82V,.1W,ESD PROT,V360	FL3001	9171966H01	EMI FILTER,DATA LINE,8CH EMI FILTER/ ESD PROT	M6502	0985888K02	BATTERY CONNECTOR,SKT, NI, LEAP
C6580	2113946S35	CAP,CHIP,1UF,+10%,-10%,16V-DC,0603,X5R,-55DEG CMIN,85DEG CMAX,P	D2203	4870359B01	DIODE,SUPR,SM,7.82V,.1W,ESD PROT,V360	FL3002	9171966H01	EMI FILTER,DATA LINE,8CH EMI FILTER/ ESD PROT	P5001	3971831H01	CONT,CONTACT, POGO HDR
C6581	2113956B33	CAP,FXD,2.2UF,+10%,-10%,16V-DC,0603,X5R,-55DEG CMIN,85DEG CMAX				J1001	0987817K05	CONN,M,40CONT,SM,.5MM PITCH 1.5 STACK HT	P6401	3971831H02	CONT,CONTACT, 2 POGO HDR
						J2101	0975595B02	CONN,BTB,2 ROW,RCPT,50CONT,5MM,ST,LOPRO,RECEPTACLE, 50 PIN	Q2201	4809523E05	XSTR,FET GP PWR,MOSFET/SCHOTTKY DIODE,P-CH, FDFMA2P857,SM,20V
						J2301	09012036001	CONN,F,80CONT, RECEPTACLE, 80 PIN	Q4001	4815261H01	XSTR,BIP GP SS,NPN, DTC114Y, SC-59,SC-59,SMT3, 50V,100MA, 250MHZ
						J3001	0909474T10	RECP INTBD 60CKT 4MM .5MM SMD	Q5001	4888795V06	XSTR,FET GP PWR,MOSFET, SM,SMT,20V,.25W,LEAD-FREE
									Q5002	4888795V06	XSTR,FET GP PWR,MOSFET, SM,SMT,20V,.25W,LEAD-FREE

Ref. Des.	Part Number	Description	Ref. Des.	Part Number	Description	Ref. Des.	Part Number	Description	Ref. Des.	Part Number	Description
Q6101	4815261H01	XSTR,BIP GP SS,NPN, DTC114Y, SC-59,SC-59,SMT3, 50V,100MA, 250MHZ	R1013	NOT PLACED	-	R2119	0613952R01	RES,MF,10KOHM,5%,.0625W, SM,0402,200PPM/CEL,PB-FREE	R2207	0613952R66	RES,MF,0OHM,5%,.0625W,SM, 0402,PB-FREE
Q6401	4888795V06	XSTR,FET GP PWR,MOSFET, SM,SMT,20V,.25W,LEAD-FREE	R1014	0613952R66	RES,MF,0OHM,5%,.0625W,SM, 0402,PB-FREE	R2120	0613952R01	RES,MF,10KOHM,5%,.0625W, SM,0402,200PPM/CEL,PB-FREE	R2208	0613952R66	RES,MF,0OHM,5%,.0625W,SM, 0402,PB-FREE
Q6501	4813970A62	XSTR,FET GP PWR,MOSFET, P-CH,ENHN,CF,-20V,1.3W,PB-FREE	R1015	NOT PLACED	-	R2121	NOT PLACED	-	R2212	0613952R66	RES,MF,0OHM,5%,.0625W,SM, 0402,PB-FREE
Q6502	4805585Q23	XSTR,FET GEN PURPOSE SMALL SIG,TRENCHFET,P, SM, BGA,SMT,-20V,1.4	R1016	0613952R66	RES,MF,0OHM,5%,.0625W,SM, 0402,PB-FREE	R2122	0613952R01	RES,MF,10KOHM,5%,.0625W, SM,0402,200PPM/CEL,PB-FREE	R2213	0613952R66	RES,MF,0OHM,5%,.0625W,SM, 0402,PB-FREE
Q6503	4805585Q23	XSTR,FET GEN PURPOSE SMALL SIG,TRENCHFET,P, SM, BGA,SMT,-20V,1.4	R1017	0613952Q41	RES,MF,47OHM,5%,.0625W,SM, 0402,200PPM/CEL,PB-FREE	R2123	0613952R01	RES,MF,10KOHM,5%,.0625W, SM,0402,200PPM/CEL,PB-FREE	R2214	0613952R66	RES,MF,0OHM,5%,.0625W,SM, 0402,PB-FREE
Q6504	4809579E77	XSTR,FET GP SS,MOSFET, N-CH,SM,30V,1.2X1.2MM PKG W18 COMP	R1018	0613952R01	RES,MF,10KOHM,5%,.0625W, SM,0402,200PPM/CEL,PB-FREE	R2124	0613952R01	RES,MF,10KOHM,5%,.0625W, SM,0402,200PPM/CEL,PB-FREE	R2215	0613952Q64	RES,MF,430OHM,5%,.0625W, SM, 0402,200PPM/CEL,PB-FREE
Q6505	4813970A62	XSTR,FET GP PWR,MOSFET, P-CH,ENHN,CF,-20V,1.3W,PB-FREE	R2101	0613952R66	RES,MF,0OHM,5%,.0625W,SM, 0402,PB-FREE	R2125	0613952R01	RES,MF,10KOHM,5%,.0625W, SM,0402,200PPM/CEL,PB-FREE	R2216	0613952R66	RES,MF,0OHM,5%,.0625W,SM, 0402,PB-FREE
Q6506	4809579E77	XSTR,FET GP SS,MOSFET, N-CH,SM,30V,1.2X1.2MM PKG W18 COMP	R2102	0613952R66	RES,MF,0OHM,5%,.0625W,SM ,0402,PB-FREE	R2126	0613952R01	RES,MF,10KOHM,5%,.0625W, SM,0402,200PPM/CEL,PB-FREE	R2218	0613952R23	CER CHIP RES 82K OHM 5% 0402
Q6507	4888795V06	XSTR,FET GP PWR,MOSFET, SM,SMT,20V,.25W,LEAD-FREE	R2103	0613952R66	RES,MF,0OHM,5%,.0625W,SM, 0402,PB-FREE	R2127	0613952Q73	RES,MF,1KOHM,5%,.0625W,SM, 0402,200PPM/CEL,PB-FREE	R2219	0613952R66	RES,MF,0OHM,5%,.0625W,SM, 0402,PB-FREE
R1001	0613952R66	RES,MF,0OHM,5%,.0625W,SM, 0402,PB-FREE	R2104	0613952Q89	RES,MF,4700,5,.0625,SM,0402, 200,PB-FREE	R2128	0613952Q73	RES,MF,1KOHM,5%,.0625W,SM, 0402,200PPM/CEL,PB-FREE	R2220	0613952Q85	RES,MF,3.3KOHM,5%,.0625W, SM,0402,200PPM/CEL,PB-FREE
R1002	0613952R66	RES,MF,0OHM,5%,.0625W,SM, 0402,PB-FREE	R2105	0613952Q89	RES,MF,4700,5,.0625,SM,0402, 200,PB-FREE	R2129	0613952Q73	RES,MF,1KOHM,5%,.0625W,SM, 0402,200PPM/CEL,PB-FREE	R2221	0613952R66	RES,MF,0OHM,5%,.0625W,SM, 0402,PB-FREE
R1003	0613952Q37	RES,MF,33OHM,5%,.0625W,SM, 0402,200PPM/CEL,PB-FREE	R2106	NOT PLACED	-	R2130	0613952Q73	RES,MF,1KOHM,5%,.0625W,SM, 0402,200PPM/CEL,PB-FREE	R2222	0613952R66	RES,MF,0OHM,5%,.0625W,SM, 0402,PB-FREE
R1004	0613952Q51	RES,MF,120,5,.0625,SM,0402, 200,PB-FREE	R2107	0613952Q73	RES,MF,1KOHM,5%,.0625W,SM, 0402,200PPM/CEL,PB-FREE	R2131	0613952R01	RES,MF,10KOHM,5%,.0625W, SM,0402,200PPM/CEL,PB-FREE	R2223	0613952R66	RES,MF,0OHM,5%,.0625W,SM, 0402,PB-FREE
R1005	0613952Q59	RES,MF,270OHM,5%,.0625W, SM,0402,200PPM/CEL,PB-FREE	R2108	0613952R01	RES,MF,10KOHM,5%,.0625W, SM,0402,200PPM/CEL,PB-FREE	R2132	0613952R01	RES,MF,10KOHM,5%,.0625W, SM,0402,200PPM/CEL,PB-FREE	R2224	0613952R66	RES,MF,0OHM,5%,.0625W,SM, 0402,PB-FREE
R1006	0613952Q59	RES,MF,270OHM,5%,.0625W, SM,0402,200PPM/CEL,PB-FREE	R2109	0613952Q25	RES,MF,10,5,.0625,SM,0402,200, PB-FREE	R2133	0613952Q73	RES,MF,1KOHM,5%,.0625W,SM, 0402,200PPM/CEL,PB-FREE	R2229	0613952R66	RES,MF,0OHM,5%,.0625W,SM, 0402,PB-FREE
R1007	0613952Q56	RES,MF,200OHM,5%,.0625W, SM,0402,200PPM/CEL,PB-FREE	R2110	0613952Q33	RES,MF,22,5,.0625,SM,0402,200, PB-FREE	R2134	0613952Q73	RES,MF,1KOHM,5%,.0625W,SM, 0402,200PPM/CEL,PB-FREE	R2301	0613952R66	RES,MF,0OHM,5%,.0625W,SM, 0402,PB-FREE
R1008	0613952Q56	RES,MF,200OHM,5%,.0625W, SM,0402,200PPM/CEL,PB-FREE	R2111	0613952Q25	RES,MF,10,5,.0625,SM,0402,200, PB-FREE	R2135	0613952Q73	RES,MF,1KOHM,5%,.0625W,SM, 0402,200PPM/CEL,PB-FREE	R2302	0613952R66	RES,MF,0OHM,5%,.0625W,SM, 0402,PB-FREE
R1010	0613952R01	RES,MF,10KOHM,5%,.0625W, SM,0402,200PPM/CEL,PB-FREE	R2112	0613952Q25	RES,MF,10,5,.0625,SM,0402,200, PB-FREE	R2201	0613952R32	RES,MF,200KOHM,5%,.0625W, SM,0402,200PPM/CEL,PB-FREE	R2303	0613952Q35	RES,MF,27OHM,5%,.0625W,SM, 0402,200PPM/CEL,PB-FREE
R1011	0613952Q89	RES,MF,4700,5,.0625,SM,0402, 200,PB-FREE	R2113	0613952Q25	RES,MF,10,5,.0625,SM,0402,200, PB-FREE	R2202	0613952R25	RES,MF,100KOHM,5%,.0625W, SM,0402,200PPM/CEL,PB-FREE	R2304	0613952Q35	RES,MF,27OHM,5%,.0625W,SM, 0402,200PPM/CEL,PB-FREE
R1012	0613952R01	RES,MF,10KOHM,5%,.0625W, SM,0402,200PPM/CEL,PB-FREE	R2114	0613952Q33	RES,MF,22,5,.0625,SM,0402,200, PB-FREE	R2203	0613952R66	RES,MF,0OHM,5%,.0625W,SM, 0402,PB-FREE	R2305	0613952Q35	RES,MF,27OHM,5%,.0625W,SM, 0402,200PPM/CEL,PB-FREE
			R2115	0613952Q25	RES,MF,10,5,.0625,SM,0402,200, PB-FREE	R2204	0613952Q85	RES,MF,3.3KOHM,5%,.0625W, SM,0402,200PPM/CEL,PB-FREE	R2306	0613952Q35	RES,MF,27OHM,5%,.0625W,SM, 0402,200PPM/CEL,PB-FREE
			R2116	0613952R01	RES,MF,10KOHM,5%,.0625W, SM,0402,200PPM/CEL,PB-FREE	R2205	0613952R66	RES,MF,0OHM,5%,.0625W,SM, 0402,PB-FREE	R2307	0613952Q35	RES,MF,27OHM,5%,.0625W,SM, 0402,200PPM/CEL,PB-FREE
			R2117	0613952R01	RES,MF,10KOHM,5%,.0625W, SM,0402,200PPM/CEL,PB-FREE	R2206	0613952Q85	RES,MF,3.3KOHM,5%,.0625W, SM,0402,200PPM/CEL,PB-FREE	R2308	0613952Q35	RES,MF,27OHM,5%,.0625W,SM, 0402,200PPM/CEL,PB-FREE
			R2118	0613952R01	RES,MF,10KOHM,5%,.0625W, SM,0402,200PPM/CEL,PB-FREE						

Ref. Des.	Part Number	Description	Ref. Des.	Part Number	Description	Ref. Des.	Part Number	Description	Ref. Des.	Part Number	Description
R5024	0613952H25	RES,MF,10OHM,5%,.1W,SM,0603,200PPM/CEL,PB-FREE	R6207	0613952R25	RES,MF,100KOHM,5%,.0625W,SM,0402,200PPM/CEL,PB-FREE	R6314	0613952Q37	RES,MF,33OHM,5%,.0625W,SM,0402,200PPM/CEL,PB-FREE	R6421	0613952R01	RES,MF,10KOHM,5%,.0625W,SM,0402,200PPM/CEL,PB-FREE
R5025	0613952R66	RES,MF,0OHM,5%,.0625W,SM,0402,PB-FREE	R6208	0613952Q89	RES,MF,4700,5,.0625,SM,0402,200,PB-FREE	R6315	0613952R66	RES,MF,0OHM,5%,.0625W,SM,0402,PB-FREE	R6422	0613952Q51	RES,MF,120,5,.0625,SM,0402,200,PB-FREE
R6101	0613952R01	RES,MF,10KOHM,5%,.0625W,SM,0402,200PPM/CEL,PB-FREE	R6209	0613952Q89	RES,MF,4700,5,.0625,SM,0402,200,PB-FREE	R6316	0613952R01	RES,MF,10KOHM,5%,.0625W,SM,0402,200PPM/CEL,PB-FREE	R6423	0613952R66	RES,MF,0OHM,5%,.0625W,SM,0402,PB-FREE
R6104	NOT PLACED	-	R6210	0613952Q89	RES,MF,4700,5,.0625,SM,0402,200,PB-FREE	R6317	0613952R66	RES,MF,0OHM,5%,.0625W,SM,0402,PB-FREE	R6424	0613952R66	RES,MF,0OHM,5%,.0625W,SM,0402,PB-FREE
R6105	0613952R66	RES,MF,0OHM,5%,.0625W,SM,0402,PB-FREE	R6211	0613952R01	RES,MF,10KOHM,5%,.0625W,SM,0402,200PPM/CEL,PB-FREE	R6318	0613952R66	RES,MF,0OHM,5%,.0625W,SM,0402,PB-FREE	R6425	0613952Q80	RES,MF,2KOHM,5%,.0625W,SM,0402,200PPM/CEL,PB-FREE
R6106	0613952R66	RES,MF,0OHM,5%,.0625W,SM,0402,PB-FREE	R6212	NOT PLACED	-	R6401	0613952R01	RES,MF,10KOHM,5%,.0625W,SM,0402,200PPM/CEL,PB-FREE	R6426	0613952Q49	RES,MF,100,5,.0625,SM,0402,200,PB-FREE
R6107	0613952R66	RES,MF,0OHM,5%,.0625W,SM,0402,PB-FREE	R6213	0613952R01	RES,MF,10KOHM,5%,.0625W,SM,0402,200PPM/CEL,PB-FREE	R6402	0613952R32	RES,MF,200KOHM,5%,.0625W,SM,0402,200PPM/CEL,PB-FREE	R6427	0613952R11	RES,MF,27KOHM,5%,.0625W,SM,0402,200PPM/CEL,PB-FREE
R6108	0613952R66	RES,MF,0OHM,5%,.0625W,SM,0402,PB-FREE	R6214	0613952R01	RES,MF,10KOHM,5%,.0625W,SM,0402,200PPM/CEL,PB-FREE	R6403	0613952Q81	RES,MF,2200,5,.0625,SM,0402,200,PB-FREE	R6428	0613952R25	RES,MF,100KOHM,5%,.0625W,SM,0402,200PPM/CEL,PB-FREE
R6109	0613952Q73	RES,MF,1KOHM,5%,.0625W,SM,0402,200PPM/CEL,PB-FREE	R6215	0613952R01	RES,MF,10KOHM,5%,.0625W,SM,0402,200PPM/CEL,PB-FREE	R6404	0613952Q81	RES,MF,2200,5,.0625,SM,0402,200,PB-FREE	R6429	0613952R17	RES,MF,47000,5,.0625,SM,0402,200,PB-FREE
R6110	0613952Q73	RES,MF,1KOHM,5%,.0625W,SM,0402,200PPM/CEL,PB-FREE	R6216	0613952R01	RES,MF,10KOHM,5%,.0625W,SM,0402,200PPM/CEL,PB-FREE	R6405	NOT PLACED	-	R6430	0613952R09	RES,MF,22000,5,.0625,SM,0402,200,PB-FREE
R6111	NOT PLACED	-	R6217	0613952Q73	RES,MF,1KOHM,5%,.0625W,SM,0402,200PPM/CEL,PB-FREE	R6406	NOT PLACED	-	R6431	0613952Q81	RES,MF,2200,5,.0625,SM,0402,200,PB-FREE
R6112	NOT PLACED	-	R6218	0613952Q80	RES,MF,2KOHM,5%,.0625W,SM,0402,200PPM/CEL,PB-FREE	R6407	0613952Q81	RES,MF,2200,5,.0625,SM,0402,200,PB-FREE	R6432	NOT PLACED	-
R6113	0613952Q49	RES,MF,100,5,.0625,SM,0402,200,PB-FREE	R6301	0613952R01	RES,MF,10KOHM,5%,.0625W,SM,0402,200PPM/CEL,PB-FREE	R6408	NOT PLACED	-	R6433	NOT PLACED	-
R6114	0613952Q49	RES,MF,100,5,.0625,SM,0402,200,PB-FREE	R6302	0613952R25	RES,MF,100KOHM,5%,.0625W,SM,0402,200PPM/CEL,PB-FREE	R6409	NOT PLACED	-	R6434	0613952R66	RES,MF,0OHM,5%,.0625W,SM,0402,PB-FREE
R6115	0613952Q49	RES,MF,100,5,.0625,SM,0402,200,PB-FREE	R6303	0613952R25	RES,MF,100KOHM,5%,.0625W,SM,0402,200PPM/CEL,PB-FREE	R6410	0613952R01	RES,MF,10KOHM,5%,.0625W,SM,0402,200PPM/CEL,PB-FREE	R6435	NOT PLACED	-
R6116	0613952Q73	RES,MF,1KOHM,5%,.0625W,SM,0402,200PPM/CEL,PB-FREE	R6304	0613952Q25	RES,MF,10,5,.0625,SM,0402,200,PB-FREE	R6411	0613952R66	RES,MF,0OHM,5%,.0625W,SM,0402,PB-FREE	R6436	0613952M18	RESISTOR,METAL FILM,1.5KOHM,1%,.0625W,SM,0402,200PPM/CEL,PB-FREE
R6117	0613952R01	RES,MF,10KOHM,5%,.0625W,SM,0402,200PPM/CEL,PB-FREE	R6305	0613952Q25	RES,MF,10,5,.0625,SM,0402,200,PB-FREE	R6412	NOT PLACED	-	R6501	0613952Q25	RES,MF,10,5,.0625,SM,0402,200,PB-FREE
R6118	0613952R66	RES,MF,0OHM,5%,.0625W,SM,0402,PB-FREE	R6308	0613952R66	RES,MF,0OHM,5%,.0625W,SM,0402,PB-FREE	R6413	NOT PLACED	-	R6502	0613952Q25	RES,MF,10,5,.0625,SM,0402,200,PB-FREE
R6201	NOT PLACED	-	R6309	0613952R01	RES,MF,10KOHM,5%,.0625W,SM,0402,200PPM/CEL,PB-FREE	R6414	0613952Q61	RES,MF,330OHM,5%,.0625W,SM,0402,200PPM/CEL,PB-FREE	R6503	0613952Q25	RES,MF,10,5,.0625,SM,0402,200,PB-FREE
R6202	0613952R01	RES,MF,10KOHM,5%,.0625W,SM,0402,200PPM/CEL,PB-FREE	R6310	0613952Q37	RES,MF,33OHM,5%,.0625W,SM,0402,200PPM/CEL,PB-FREE	R6415	0613952Q61	RES,MF,330OHM,5%,.0625W,SM,0402,200PPM/CEL,PB-FREE	R6504	0613952R09	RES,MF,22000,5,.0625,SM,0402,200,PB-FREE
R6203	0613952R66	RES,MF,0OHM,5%,.0625W,SM,0402,PB-FREE	R6311	0613952Q37	RES,MF,33OHM,5%,.0625W,SM,0402,200PPM/CEL,PB-FREE	R6416	0613952Q61	RES,MF,330OHM,5%,.0625W,SM,0402,200PPM/CEL,PB-FREE	R6505	0613952G67	RES,MF,0,1,.1,SM,0603,PB-FREE
R6204	0613952R01	RES,MF,10KOHM,5%,.0625W,SM,0402,200PPM/CEL,PB-FREE	R6312	0613952Q37	RES,MF,33OHM,5%,.0625W,SM,0402,200PPM/CEL,PB-FREE	R6417	0613952Q61	RES,MF,330OHM,5%,.0625W,SM,0402,200PPM/CEL,PB-FREE	R6506	0613952R66	RES,MF,0OHM,5%,.0625W,SM,0402,PB-FREE
R6205	0613952R01	RES,MF,10KOHM,5%,.0625W,SM,0402,200PPM/CEL,PB-FREE	R6313	0613952Q37	RES,MF,33OHM,5%,.0625W,SM,0402,200PPM/CEL,PB-FREE	R6418	0613952R66	RES,MF,0OHM,5%,.0625W,SM,0402,PB-FREE	R6507	0613952R01	RES,MF,10KOHM,5%,.0625W,SM,0402,200PPM/CEL,PB-FREE
R6206	0613952R25	RES,MF,100KOHM,5%,.0625W,SM,0402,200PPM/CEL,PB-FREE				R6419	0613952Q37	RES,MF,33OHM,5%,.0625W,SM,0402,200PPM/CEL,PB-FREE	R6508	0613952Q80	RES,MF,2KOHM,5%,.0625W,SM,0402,200PPM/CEL,PB-FREE

Ref. Des.	Part Number	Description	Ref. Des.	Part Number	Description	Ref. Des.	Part Number	Description	Ref. Des.	Part Number	Description
R6509	NOT PLACED	–	R6533	0613952R66	RES,MF,0OHM,5%,.0625W,SM,0402,PB-FREE	R6558	0613952P22	RES,MF,165KOHM,1%,.0625W,SM,0402,200PPM/CEL,PB-FREE	R6583	0613952R03	RES,MF,12000,5,.0625,SM,0402,200,PB-FREE
R6510	0613952R17	RES,MF,47000,5,.0625,SM,0402,200,PB-FREE	R6534	NOT PLACED	–	R6559	0613952P24	RES,MF,174KOHM,1%,.0625W,SM,0402,200PPM/CEL,PB-FREE	R6584	0613952Q56	RES,MF,200OHM,5%,.0625W,SM,0402,200PPM/CEL,PB-FREE
R6511	0613952R01	RES,MF,10KOHM,5%,.0625W,SM,0402,200PPM/CEL,PB-FREE	R6535	0613952N01	RES,MF,10KOHM,1%,.0625W,SM,0402,200PPM/CEL,PB-FREE	R6560	0613952R66	RES,MF,0OHM,5%,.0625W,SM,0402,PB-FREE	R6601	0613952R01	RES,MF,10KOHM,5%,.0625W,SM,0402,200PPM/CEL,PB-FREE
R6512	0613952R25	RES,MF,100KOHM,5%,.0625W,SM,0402,200PPM/CEL,PB-FREE	R6536	0613952Z72	RES,MF,91KOHM,1%,.0625W,SM,0402,200PPM/CEL,PB-FREE	R6561	0613952R66	RES,MF,0OHM,5%,.0625W,SM,0402,PB-FREE	R6602	0613952R66	RES,MF,0OHM,5%,.0625W,SM,0402,PB-FREE
R6513	0613952R66	RES,MF,0OHM,5%,.0625W,SM,0402,PB-FREE	R6537	0613952P09	RES,MF,121KOHM,1%,.0625W,SM,0402,200PPM/CEL,PB-FREE	R6562	0613952R66	RES,MF,0OHM,5%,.0625W,SM,0402,PB-FREE	R6603	0613952R66	RES,MF,0OHM,5%,.0625W,SM,0402,PB-FREE
R6514	0613952Q89	RES,MF,4700,5,.0625,SM,0402,200,PB-FREE	R6538	0613952Q95	RES,MF,8.2KOHM,5%,.0625W,SM,0402,200PPM/CEL,PB-FREE	R6563	0613952R66	RES,MF,0OHM,5%,.0625W,SM,0402,PB-FREE	R6604	0613952Q51	RES,MF,120,5,.0625,SM,0402,200,PB-FREE
R6515	0613952R66	RES,MF,0OHM,5%,.0625W,SM,0402,PB-FREE	R6539	0613952P66	RES,MF,475KOHM,1%,.0625W,SM,0402,200PPM/CEL,PB-FREE	R6564	0613952R66	RES,MF,0OHM,5%,.0625W,SM,0402,PB-FREE	R6605	0613952Q51	RES,MF,120,5,.0625,SM,0402,200,PB-FREE
R6516	0613952R66	RES,MF,0OHM,5%,.0625W,SM,0402,PB-FREE	R6540	0613952P66	RES,MF,475KOHM,1%,.0625W,SM,0402,200PPM/CEL,PB-FREE	R6565	0613952R66	RES,MF,0OHM,5%,.0625W,SM,0402,PB-FREE	R6606	0613952Q37	RES,MF,33OHM,5%,.0625W,SM,0402,200PPM/CEL,PB-FREE
R6517	0613952Q63	RES,MF,390OHM,5%,.0625W,SM,0402,200PPM/CEL,PB-FREE	R6541	0613952R25	RES,MF,100KOHM,5%,.0625W,SM,0402,200PPM/CEL,PB-FREE	R6566	0613952R66	RES,MF,0OHM,5%,.0625W,SM,0402,PB-FREE	R6607	0613952R66	RES,MF,0OHM,5%,.0625W,SM,0402,PB-FREE
R6518	0613952R66	RES,MF,0OHM,5%,.0625W,SM,0402,PB-FREE	R6542	0613952R66	RES,MF,0OHM,5%,.0625W,SM,0402,PB-FREE	R6567	0613952R66	RES,MF,0OHM,5%,.0625W,SM,0402,PB-FREE	R6608	0613952R01	RES,MF,10KOHM,5%,.0625W,SM,0402,200PPM/CEL,PB-FREE
R6519	0613952Q89	RES,MF,4700,5,.0625,SM,0402,200,PB-FREE	R6543	NOT PLACED	–	R6568	0613952P47	RES,MF,301KOHM,1%,.0625W,SM,0402,200PPM/CEL,PB-FREE	R6609	0613952R25	RES,MF,100KOHM,5%,.0625W,SM,0402,200PPM/CEL,PB-FREE
R6520	0613952Q73	RES,MF,1KOHM,5%,.0625W,SM,0402,200PPM/CEL,PB-FREE	R6544	0613952G67	RES,MF,0,1,.1,SM,0603,PB-FREE	R6569	0613952P66	RES,MF,475KOHM,1%,.0625W,SM,0402,200PPM/CEL,PB-FREE	R6616	0613952Q80	RES,MF,2KOHM,5%,.0625W,SM,0402,200PPM/CEL,PB-FREE
R6521	0615049H01	RES,MF,.2OHM,1%,.5W,1206,KAMAYA 0.2 OHM CHIP RES	R6545	0613952R25	RES,MF,100KOHM,5%,.0625W,SM,0402,200PPM/CEL,PB-FREE	R6570	0613952R66	RES,MF,0OHM,5%,.0625W,SM,0402,PB-FREE	R6617	0613952R01	RES,MF,10KOHM,5%,.0625W,SM,0402,200PPM/CEL,PB-FREE
R6522	NOT PLACED	–	R6546	0613952R66	RES,MF,0OHM,5%,.0625W,SM,0402,PB-FREE	R6571	NOT PLACED	–	R6618	0613952R01	RES,MF,10KOHM,5%,.0625W,SM,0402,200PPM/CEL,PB-FREE
R6523	0613952R09	RES,MF,22000,5,.0625,SM,0402,200,PB-FREE	R6547	0613952R66	RES,MF,0OHM,5%,.0625W,SM,0402,PB-FREE	R6572	0613952R66	RES,MF,0OHM,5%,.0625W,SM,0402,PB-FREE	R6619	0613952R01	RES,MF,10KOHM,5%,.0625W,SM,0402,200PPM/CEL,PB-FREE
R6524	0613952R66	RES,MF,0OHM,5%,.0625W,SM,0402,PB-FREE	R6548	NOT PLACED	–	R6574	0613952R25	RES,MF,100KOHM,5%,.0625W,SM,0402,200PPM/CEL,PB-FREE	R6620	0613952Q89	RES,MF,4700,5,.0625,SM,0402,200,PB-FREE
R6525	0613952R66	RES,MF,0OHM,5%,.0625W,SM,0402,PB-FREE	R6549	0613952R66	RES,MF,0OHM,5%,.0625W,SM,0402,PB-FREE	R6576	0613952R01	RES,MF,10KOHM,5%,.0625W,SM,0402,200PPM/CEL,PB-FREE	R6621	0613952Q89	RES,MF,4700,5,.0625,SM,0402,200,PB-FREE
R6526	NOT PLACED	–	R6550	0613952Z64	RES,MF,39KOHM,1%,.0625W,SM,0402,200PPM/CEL,PB-FREE	R6577	0613952Q89	RES,MF,4700,5,.0625,SM,0402,200,PB-FREE	R6622	0613952Q35	RES,MF,27OHM,5%,.0625W,SM,0402,200PPM/CEL,PB-FREE
R6527	0613952N87	RES,MF,78.7KOHM,1%,.0625W,SM,0402,200PPM/CEL,PB-FREE	R6551	0613952Z62	RES,MF,33KOHM,1%,.0625W,SM,0402,200PPM/CEL,PB-FREE	R6578	0613952Q89	RES,MF,4700,5,.0625,SM,0402,200,PB-FREE	R6623	0613952Q35	RES,MF,27OHM,5%,.0625W,SM,0402,200PPM/CEL,PB-FREE
R6528	0613952R25	RES,MF,100KOHM,5%,.0625W,SM,0402,200PPM/CEL,PB-FREE	R6552	0613952R25	RES,MF,100KOHM,5%,.0625W,SM,0402,200PPM/CEL,PB-FREE	R6579	0613952R01	RES,MF,10KOHM,5%,.0625W,SM,0402,200PPM/CEL,PB-FREE	R6624	0613952Q35	RES,MF,27OHM,5%,.0625W,SM,0402,200PPM/CEL,PB-FREE
R6529	0615049H01	RES,MF,.2OHM,1%,.5W,1206,KAMAYA 0.2 OHM CHIP RES	R6553	0613952R25	RES,MF,100KOHM,5%,.0625W,SM,0402,200PPM/CEL,PB-FREE	R6580	0613952R17	RES,MF,47000,5,.0625,SM,0402,200,PB-FREE	R6625	0613952Q35	RES,MF,27OHM,5%,.0625W,SM,0402,200PPM/CEL,PB-FREE
R6530	0613952L30	RES,MF,200OHM,1%,.0625W,SM,0402,200PPM/CEL,PB-FREE	R6554	0613952R66	RES,MF,0OHM,5%,.0625W,SM,0402,PB-FREE	R6581	0613952Q49	RES,MF,100,5,.0625,SM,0402,200,PB-FREE	R6626	0613952R01	RES,MF,10KOHM,5%,.0625W,SM,0402,200PPM/CEL,PB-FREE
R6531	0613952R01	RES,MF,10KOHM,5%,.0625W,SM,0402,200PPM/CEL,PB-FREE	R6555	NOT PLACED	–	R6582	0613952Q89	RES,MF,4700,5,.0625,SM,0402,200,PB-FREE	SH1	2675865B02	SHLD,CUST,SHIELD, MACE W/ TAMPER CONT
R6532	0613952R66	RES,MF,0OHM,5%,.0625W,SM,0402,PB-FREE	R6556	0613952R66	RES,MF,0OHM,5%,.0625W,SM,0402,PB-FREE						
			R6557	NOT PLACED	–						

Ref. Des.	Part Number	Description
SH2	2675866B01	SHLD,STL,SN PLT,SHIELD, OMAP MEM CPLD
SH3	26012083001	SHLD,STL,SN PLT,SHIELD, DISCRETE SWITCHERS
SH4	2675868B01	SHLD,STL,SN PLT,SHIELD, MAKO SWR
SH5	2675869B01	SHLD,STL,SN PLT,SHIELD, MAKO
SH6	2675863B01	SHLD,STL,SN PLT,SHIELD, CODEC
U2101	5109522E84	IC,DL SCHK TRIG MICRO PAK
U2102	5109522E84	IC,DL SCHK TRIG MICRO PAK
U2103	5109522E84	IC,DL SCHK TRIG MICRO PAK
U2201	5171679H01	IC,DISP DRVR,LED LT DRVR
U2202	5164852H47	IC,XLTR,2PER PKG,TSSOP8,IC, I2C LEV XLTR
U2203	5187970L69	IC,DRIVER,LP3954,LED
U4001	5164852H47	IC,XLTR,2PER PKG,TSSOP8,IC, I2C LEV XLTR
U4002	5171672H01	IC,BFR,SN74LVC2G07,WCSP,DL BFR W/ OPEN-DRAIN OUTPUTS
U4003	5188691V01	IC,MUX/DEMUX, NC7SB3157P6X,SM,SC70-6,1PER PKG,BUS,PB FREE
U4004	5116783H01	IC,ANLG SW, SN74LVC2G66YZPR,SM,2PER PKG,0CHANNELS, BILATERAL, DL
U5001	5175114H01	IC,SNGL AND GATE MICROPAK
U5002	5175114H01	IC,SNGL AND GATE MICROPAK
U5003	5185912Y01	IC,CRYPTOGRAPHIC PROCESSOR,1PER PKG, MACE ENCRYPTN IC -- PB-
U5004	5175114H01	IC,SNGL AND GATE MICROPAK
U5005	5171339H01	IC,MC78LC18,MICROPOWER V REGLTR
U5006	5171988H01	IC,COMPTR,CMOS COMPTR
U6101	0180706J18	IC,PGM,PGM CPLD
U6102	5188691V01	IC,MUX/DEMUX, NC7SB3157P6X,SM,SC70-6,1PER PKG,BUS,PB FREE
U6201	5185941F26	IC,COMPTR,LMV7219,SM, SOT-23/5,IC,LM7219, COMPARATOR, NOPB
U6301	5188120J01	256MB MOBILE DDR SDRAM

Ref. Des.	Part Number	Description
U6302	5102495J13	IC,MICROP,P1710ZZGE,BGA, 12MHZ,32BITS
U6303	5175772B36	IC,ANLG SW,SOT-23, 5CHANNELS,IC, BILATERAL ANLG SW
U6304	0180706J17	IC,PGM,PGM 256MBIT FLSH
U6401	NOT PLACED	-
U6402	5171674H01	IC,OP AMP,SO-8,OP AMP
U6403	NOT PLACED	-
U6404	NOT PLACED	-
U6405	5188348V06	IC,AUDIO CODEC,SM,AUDIO CODEC
U6406	NOT PLACED	-
U6407	NOT PLACED	-
U6408	5188521T01	IC,VREF,SM,SOT23,1PER PKG, .5%,1.25 TO 13.75,PRCN BANDGAP ADJUS
U6409	51009000001	IC,COMPTR,SC70,NANOPOWER ,1.8V, SC70 COMPTR
U6410	5109768D14	IC,TEMP SENS,SC70, CALIBRATED
U6501	5185143E77	IC,CUST,BGA,IC, MAKO ASIC, CMOS PWR MGMT
U6502	4871987H01	XSTR,BIP GP POWER,12V,1A, LOW FREQ XSTR
U6503	5171674H01	IC,OP AMP,SO-8,OP AMP
U6504	5171682H01	IC,DC TO DC CONVERTER, 800MA BUCK REGLTR
U6505	5189631P01	IC,OPER PKG,SYNC STEP-DOWN CONV
U6506	5184790Y04	IC,LINEAR VOLTAGE REGULATOR, 400MA
U6507	5171682H01	IC,DC TO DC CONVERTER, 800MA BUCK REGLTR
U6508	5171682H01	IC,DC TO DC CONVERTER, 800MA BUCK REGLTR
U6509	5175114H01	IC,SNGL AND GATE MICROPAK
U6511	5171339H01	IC,MC78LC18,MICROPOWER V REGLTR
U6601	5175114H01	IC,SNGL AND GATE MICROPAK
Y6501	4864005H01	XTAL,QRTZ,24.576MHZ,10PPM TOL,15PPM STAB,SM4,SM,AT
Y6502	4809995L05	RESON,QRTZ,32.768KHZ,SM, FUND,9PF LOAD CAP,-40DEG C MIN,85DE

Ref. Des.	Part Number	Description
Y6601	4802582S85	RESON,QRTZ,12MHZ,10PPM TOL,18PPM STAB,SM,FUND, AT, 10PF LOAD CAP

MNCN6203A VOCON Board Parts List

Ref. Des.	Part Number	Description
BT6501	6071520M01	BATT COIN 3V LI RECHARGEABLE
C1001	NOT PLACED	-
C1002	NOT PLACED	-
C1003	NOT PLACED	-
C1004	NOT PLACED	-
C1005	NOT PLACED	-
C1006	NOT PLACED	-
C2101	NOT PLACED	-
C2102	NOT PLACED	-
C2103	2113944A31	CAP CER CHP 33.0PF 50V 5%
C2104	2113946B04	CAP CER CHP 0.10UF 10V 10%
C2105	2113944A46	CAP CER CHP 330.0 PF 50V 5%
C2106	NOT PLACED	-
C2107	2113944A46	CAP CER CHP 330.0 PF 50V 5%
C2108	2113944A46	CAP CER CHP 330.0 PF 50V 5%
C2109	2113944A46	CAP CER CHP 330.0 PF 50V 5%
C2110	2113944A46	CAP CER CHP 330.0 PF 50V 5%
C2111	2113944A46	CAP CER CHP 330.0 PF 50V 5%
C2112	NOT PLACED	-
C2113	2113944A46	CAP CER CHP 330.0 PF 50V 5%
C2201	2113946B04	CAP CER CHP 0.10UF 10V 10%
C2202	2113946B04	CAP CER CHP 0.10UF 10V 10%
C2203	2113946B04	CAP CER CHP 0.10UF 10V 10%
C2205	NOT PLACED	-
C2206	NOT PLACED	-
C2208	NOT PLACED	-
C2209	NOT PLACED	-
C2211	2113946B04	CAP CER CHP 0.10UF 10V 10%
C2212	2113946B04	CAP CER CHP 0.10UF 10V 10%
C2213	2113946B04	CAP CER CHP 0.10UF 10V 10%
C2214	2113946B04	CAP CER CHP 0.10UF 10V 10%
C2215	2113946B04	CAP CER CHP 0.10UF 10V 10%
C2216	2113946B04	CAP CER CHP 0.10UF 10V 10%
C2301	NOT PLACED	-
C2302	NOT PLACED	-
C2303	NOT PLACED	-
C2304	NOT PLACED	-

Ref. Des.	Part Number	Description
C2305	NOT PLACED	-
C2306	NOT PLACED	-
C2307	NOT PLACED	-
C2308	NOT PLACED	-
C2309	NOT PLACED	-
C2310	NOT PLACED	-
C2311	NOT PLACED	-
C2312	NOT PLACED	-
C2313	NOT PLACED	-
C2314	NOT PLACED	-
C2315	NOT PLACED	-
C2316	NOT PLACED	-
C2317	NOT PLACED	-
C2318	NOT PLACED	-
C2319	NOT PLACED	-
C2320	NOT PLACED	-
C2321	NOT PLACED	-
C2322	NOT PLACED	-
C2323	2113944A46	CAP CER CHP 330.0 PF 50V 5%
C2324	2113944A46	CAP CER CHP 330.0 PF 50V 5%
C2325	2113944A46	CAP CER CHP 330.0 PF 50V 5%
C3001	NOT PLACED	-
C3002	NOT PLACED	-
C3003	NOT PLACED	-
C3004	NOT PLACED	-
C3005	NOT PLACED	-
C3006	NOT PLACED	-
C3007	NOT PLACED	-
C3008	NOT PLACED	-
C3009	NOT PLACED	-
C4001	2113946B04	CAP CER CHP 0.10UF 10V 10%
C4002	2113944A31	CAP CER CHP 33.0PF 50V 5%
C4003	2113944A46	CAP CER CHP 330.0 PF 50V 5%
C4004	2113946B04	CAP CER CHP 0.10UF 10V 10%
C4005	2113946B04	CAP CER CHP 0.10UF 10V 10%
C4006	2113946B04	CAP CER CHP 0.10UF 10V 10%
C4007	2113946B04	CAP CER CHP 0.10UF 10V 10%
C5001	2113945A09	CAP CER CHP 1000PF 50V 10%

Ref. Des.	Part Number	Description
C5002	2113945B02	CAP CER CHP 10,000PF 25V 10%
C5003	2113946B04	CAP CER CHP 0.10UF 10V 10%
C5004	2113956B33	CAP,FXD,2.2UF,+10%,-10%, 16V-DC,0603,X5R,-55DEG CMIN,85DEG CMAX
C5005	2113946B04	CAP CER CHP 0.10UF 10V 10%
C5006	2113946B04	CAP CER CHP 0.10UF 10V 10%
C5007	2113946B04	CAP CER CHP 0.10UF 10V 10%
C5008	2113946B04	CAP CER CHP 0.10UF 10V 10%
C5009	2113946B04	CAP CER CHP 0.10UF 10V 10%
C5010	2113946B04	CAP CER CHP 0.10UF 10V 10%
C5011	2113946B04	CAP CER CHP 0.10UF 10V 10%
C5012	2113946B04	CAP CER CHP 0.10UF 10V 10%
C5013	2113946B04	CAP CER CHP 0.10UF 10V 10%
C5014	2113946B04	CAP CER CHP 0.10UF 10V 10%
C5015	2113946B04	CAP CER CHP 0.10UF 10V 10%
C5016	2113946B04	CAP CER CHP 0.10UF 10V 10%
C5017	2113946B04	CAP CER CHP 0.10UF 10V 10%
C5018	2113946B04	CAP CER CHP 0.10UF 10V 10%
C5019	2113946B04	CAP CER CHP 0.10UF 10V 10%
C5020	2113946B04	CAP CER CHP 0.10UF 10V 10%
C5021	2113946B04	CAP CER CHP 0.10UF 10V 10%
C5022	2113946B04	CAP CER CHP 0.10UF 10V 10%
C5023	2113946B04	CAP CER CHP 0.10UF 10V 10%
C5024	2113946B04	CAP CER CHP 0.10UF 10V 10%
C5025	2113946B04	CAP CER CHP 0.10UF 10V 10%
C5026	2113946B04	CAP CER CHP 0.10UF 10V 10%
C5027	2113946B04	CAP CER CHP 0.10UF 10V 10%
C5028	2113946B04	CAP CER CHP 0.10UF 10V 10%
C6101	NOT PLACED	-
C6102	NOT PLACED	-
C6103	NOT PLACED	-
C6104	2113946B04	CAP CER CHP 0.10UF 10V 10%
C6105	2113946B04	CAP CER CHP 0.10UF 10V 10%
C6106	2113946B04	CAP CER CHP 0.10UF 10V 10%
C6107	2113946B04	CAP CER CHP 0.10UF 10V 10%
C6108	2113946B04	CAP CER CHP 0.10UF 10V 10%
C6109	2113946B04	CAP CER CHP 0.10UF 10V 10%
C6110	2113946B04	CAP CER CHP 0.10UF 10V 10%

Ref. Des.	Part Number	Description
C6111	2113946B04	CAP CER CHP 0.10UF 10V 10%
C6112	2113946B04	CAP CER CHP 0.10UF 10V 10%
C6113	2113946B04	CAP CER CHP 0.10UF 10V 10%
C6114	2113946B04	CAP CER CHP 0.10UF 10V 10%
C6115	2113946B04	CAP CER CHP 0.10UF 10V 10%
C6201	2113944A40	CAP CER CHP 100.0PF 50V 5%
C6202	2113945A09	CAP CER CHP 1000PF 50V 10%
C6203	2113946B04	CAP CER CHP 0.10UF 10V 10%
C6301	2113946B04	CAP CER CHP 0.10UF 10V 10%
C6302	2113946B04	CAP CER CHP 0.10UF 10V 10%
C6303	2113946B04	CAP CER CHP 0.10UF 10V 10%
C6304	2113946B04	CAP CER CHP 0.10UF 10V 10%
C6305	2113946S35	CAP CER CHP 1.0UF 16V 10%
C6306	2113946S35	CAP CER CHP 1.0UF 16V 10%
C6307	2113946B04	CAP CER CHP 0.10UF 10V 10%
C6308	2113946B04	CAP CER CHP 0.10UF 10V 10%
C6309	2113946B04	CAP CER CHP 0.10UF 10V 10%
C6310	2113946B04	CAP CER CHP 0.10UF 10V 10%
C6311	2113946B04	CAP CER CHP 0.10UF 10V 10%
C6401	NOT PLACED	-
C6402	2113956A51	CAP,FXD,1UF,+10%,-10%,6.3V-DC,0402,X5R,-55DEG CMIN, 85DEG CMAX,P
C6403	2113946B04	CAP CER CHP 0.10UF 10V 10%
C6404	2113946B04	CAP CER CHP 0.10UF 10V 10%
C6405	NOT PLACED	-
C6406	2113946B04	CAP CER CHP 0.10UF 10V 10%
C6407	2113946B04	CAP CER CHP 0.10UF 10V 10%
C6408	2113946B04	CAP CER CHP 0.10UF 10V 10%
C6409	NOT PLACED	-
C6410	2113946B04	CAP CER CHP 0.10UF 10V 10%
C6411	2113946B04	CAP CER CHP 0.10UF 10V 10%
C6412	NOT PLACED	-
C6413	2113946B04	CAP CER CHP 0.10UF 10V 10%
C6414	2113946B04	CAP CER CHP 0.10UF 10V 10%
C6415	NOT PLACED	-
C6416	2113945B04	CAP,FXD,.022UF,+10%,-10%, 25V-DC,0402,X7R,-55DEG CMIN,125DEG CMA

Ref. Des.	Part Number	Description	Ref. Des.	Part Number	Description	Ref. Des.	Part Number	Description	Ref. Des.	Part Number	Description
D2203	4870359B01	DIODE,SUPR,SM,7.82V,.1W,ESD PROT,V360	J4001	0909474T10	RECP INTBD 60CKT 4MM .5MM SMD	Q6504	4809579E77	FET, NCH MOS FET, 1.2MM X 1.2MM PACKAGE, SMD, W18 COMPLIANT	R2111	0613952Q25	CER CHIP RES 10.0 OHM 5 0402
D2204	4870359B01	DIODE,SUPR,SM,7.82V,.1W,ESD PROT,V360	L1001	NOT PLACED	-	Q6505	4813970A62	XSTR,FET GP PWR,MOSFET,P-CH,ENHN,CF,-20V,1.3W,PB-FREE	R2112	0613952Q25	CER CHIP RES 10.0 OHM 5 0402
D4001	4813978A25	SCHOTTKY 30V SOD-323 T&R PB FREE	L2202	2415429H45	CHIP INDUCTOR	Q6506	4809579E77	FET, NCH MOS FET, 1.2MM X 1.2MM PACKAGE, SMD, W18 COMPLIANT	R2113	0613952Q25	CER CHIP RES 10.0 OHM 5 0402
D5001	4871785H01	SWITCHING DIODE BAS116LT1G	L2203	2415429H45	CHIP INDUCTOR	Q6507	4888795V06	XSTR,FET GP PWR,MOSFET, SM,SMT,20V,.25W,LEAD-FREE	R2114	0613952Q33	CER CHIP RES 22.0 OHM 5 0402
D6101	4813978A25	SCHOTTKY 30V SOD-323 T&R PB FREE	L2204	2415429H45	CHIP INDUCTOR	R1001	0613952R66	CER CHIP RES 0.0 +/-0.050 OHM	R2115	0613952Q25	CER CHIP RES 10.0 OHM 5 0402
D6301	4813978A25	SCHOTTKY 30V SOD-323 T&R PB FREE	L4001	NOT PLACED	-	R1002	0613952R66	CER CHIP RES 0.0 +/-0.050 OHM	R2116	0613952R01	CER CHIP RES 10K OHM 5% 0402
D6401	4813978A25	SCHOTTKY 30V SOD-323 T&R PB FREE	L4002	2475262H01	1 UH CHIP INDUCTOR	R1003	0613952Q37	CER CHIP RES 33.0 OHM 5 0402	R2117	0613952R01	CER CHIP RES 10K OHM 5% 0402
D6501	4813978A25	SCHOTTKY 30V SOD-323 T&R PB FREE	L6501	2471749H01	INDUCTOR,SMT,PWR,.56 UH, SHIELDED	R1004	0613952Q51	CER CHIP RES 120 OHM 5 0402	R2118	0613952R01	CER CHIP RES 10K OHM 5% 0402
E2101	NOT PLACED	-	L6502	2471678H01	10UH INDCUTOR	R1005	0613952Q59	CER CHIP RES 270 OHM 5 0402	R2119	0613952R01	CER CHIP RES 10K OHM 5% 0402
E2102	NOT PLACED	-	L6503	2488409T03	CHIP INDUCTOR,FXD,180NH, 5%,1.3A,FERR,SM	R1006	0613952Q59	CER CHIP RES 270 OHM 5 0402	R2120	0613952R01	CER CHIP RES 10K OHM 5% 0402
E2103	NOT PLACED	-	L6504	2471962H04	10UH SHIELDED INDUCTOR	R1007	0613952Q56	CER CHIP RES 200 OHM 5 0402	R2121	NOT PLACED	-
E2104	NOT PLACED	-	L6505	2471678H01	10UH INDCUTOR	R1008	0613952Q56	CER CHIP RES 200 OHM 5 0402	R2122	0613952R01	CER CHIP RES 10K OHM 5% 0402
E2105	NOT PLACED	-	L6506	2471678H01	10UH INDCUTOR	R1010	0613952R01	CER CHIP RES 10K OHM 5% 0402	R2123	0613952R01	CER CHIP RES 10K OHM 5% 0402
E2106	NOT PLACED	-	M6401	3975252H01	CONTACT, MICROPHONE	R1011	0613952Q89	CER CHIP RES 4700 OHM 5 0402	R2124	0613952R01	CER CHIP RES 10K OHM 5% 0402
E2107	NOT PLACED	-	M6402	3975252H01	CONTACT, MICROPHONE	R1012	0613952R01	CER CHIP RES 10K OHM 5% 0402	R2125	0613952R01	CER CHIP RES 10K OHM 5% 0402
E6501	2480067M02	CHK RF CHIP BEAD INDUCTOR	M6501	3987977Y04	CONT,CONN,1CONT,ANT UNIV 4.5MM,UC 1.8	R1013	NOT PLACED	-	R2126	0613952R01	CER CHIP RES 10K OHM 5% 0402
E6502	2480067M02	CHK RF CHIP BEAD INDUCTOR	M6502	0985888K02	SKT RTC BTTY LEAP	R1014	0613952R66	CER CHIP RES 0.0 +/-0.050 OHM	R2127	0613952Q73	CER CHIP RES 1000 OHM 5 0402
FL3001	9171966H01	8CH EMI FILTER/ ESD PROTECTION	MIC	NOT PLACED	-	R1015	NOT PLACED	-	R2128	0613952Q73	CER CHIP RES 1000 OHM 5 0402
FL3002	9171966H01	8CH EMI FILTER/ ESD PROTECTION	OMAP	NOT PLACED	-	R1016	0613952R66	CER CHIP RES 0.0 +/-0.050 OHM	R2129	0613952Q73	CER CHIP RES 1000 OHM 5 0402
FMGND	NOT PLACED	-	P5001	3971831H01	CONTACT, POGO HEADER	R1017	0613952Q41	CER CHIP RES 47.0 OHM 5 0402	R2130	0613952Q73	CER CHIP RES 1000 OHM 5 0402
FMNTRS T	NOT PLACED	-	P6401	3971831H02	CONTACT, 2 POGO HEADER	R1018	0613952R01	CER CHIP RES 10K OHM 5% 0402	R2131	0613952R01	CER CHIP RES 10K OHM 5% 0402
FMTCK	NOT PLACED	-	PWB	84012176001	PCB, MAIN BOARD	R2101	0613952R66	CER CHIP RES 0.0 +/-0.050 OHM	R2132	0613952R01	CER CHIP RES 10K OHM 5% 0402
FMTDI	NOT PLACED	-	Q2201	4809523E05	DIODE, MOSFET	R2102	0613952R66	CER CHIP RES 0.0 +/-0.050 OHM	R2133	0613952Q73	CER CHIP RES 1000 OHM 5 0402
FMTMS	NOT PLACED	-	Q4001	4815261H01	TRANSISTOR,BIP GENERAL PURPOSE SMALL NPN	R2103	0613952R66	CER CHIP RES 0.0 +/-0.050 OHM	R2134	0613952Q73	CER CHIP RES 1000 OHM 5 0402
FMVBUS 2	NOT PLACED	-	Q5001	4888795V06	XSTR,FET GP PWR,MOSFET, SM,SMT,20V,.25W,LEAD-FREE	R2104	0613952Q89	CER CHIP RES 4700 OHM 5 0402	R2135	0613952Q73	CER CHIP RES 1000 OHM 5 0402
J1001	0987817K05	40PIN RECPT MATING CNTCR 1.5MM	Q5002	4888795V06	XSTR,FET GP PWR,MOSFET, SM,SMT,20V,.25W,LEAD-FREE	R2105	0613952Q89	CER CHIP RES 4700 OHM 5 0402	R2201	0613952R32	CER CHIP RES 200K OHM 5 0402
J2101	0975595B02	RECEPTACLE, 50 PIN	Q6101	4815261H01	TRANSISTOR,BIP GENERAL PURPOSE SMALL NPN	R2106	NOT PLACED	-	R2202	0613952R25	CER CHIP RES 100K OHM 5% 0402
J2301	09012036001	RECEPTACLE, 80PIN	Q6401	4888795V06	XSTR,FET GP PWR,MOSFET, SM,SMT,20V,.25W,LEAD-FREE	R2107	0613952Q73	CER CHIP RES 1000 OHM 5 0402	R2203	0613952R66	CER CHIP RES 0.0 +/-0.050 OHM
J3001	0909474T10	RECP INTBD 60CKT 4MM .5MM SMD	Q6501	4813970A62	XSTR,FET GP PWR,MOSFET,P-CH,ENHN,CF,-20V,1.3W,PB-FREE	R2108	0613952R01	CER CHIP RES 10K OHM 5% 0402	R2204	0613952Q85	CER CHIP RES 3300 OHM 5 0402
			Q6502	4805585Q23	XSTR,FET GEN PURP,PB-FREE	R2109	0613952Q25	CER CHIP RES 10.0 OHM 5 0402			
			Q6503	4805585Q23	XSTR,FET GEN PURP,PB-FREE	R2110	0613952Q33	CER CHIP RES 22.0 OHM 5 0402			

Ref. Des.	Part Number	Description	Ref. Des.	Part Number	Description	Ref. Des.	Part Number	Description	Ref. Des.	Part Number	Description
R6114	0613952Q49	CER CHIP RES 100 OHM 5 0402	R6309	0613952R01	CER CHIP RES 10K OHM 5% 0402	R6425	0613952Q80	CER CHIP RES 2000 OHM 5 0402	R6521	0615049H01	KAMAYA 0.2 OHM CHIP RESISTOR
R6115	0613952Q49	CER CHIP RES 100 OHM 5 0402	R6310	0613952Q37	CER CHIP RES 33.0 OHM 5 0402	R6426	0613952Q49	CER CHIP RES 100 OHM 5 0402	R6522	NOT PLACED	-
R6116	0613952Q73	CER CHIP RES 1000 OHM 5 0402	R6311	0613952Q37	CER CHIP RES 33.0 OHM 5 0402	R6427	0613952R11	CER CHIP RES 27K OHM 5% 0402	R6523	0613952R09	CER CHIP RES 22K OHM 5% 0402
R6117	0613952R01	CER CHIP RES 10K OHM 5% 0402	R6312	0613952Q37	CER CHIP RES 33.0 OHM 5 0402	R6428	0613952R25	CER CHIP RES 100K OHM 5% 0402	R6524	0613952R66	CER CHIP RES 0.0 +/-0.050 OHM
R6118	0613952R66	CER CHIP RES 0.0 +/-0.050 OHM	R6313	0613952Q37	CER CHIP RES 33.0 OHM 5 0402	R6429	0613952R17	CER CHIP RES 47K OHM 5% 0402	R6525	0613952R66	CER CHIP RES 0.0 +/-0.050 OHM
R6201	NOT PLACED	-	R6314	0613952Q37	CER CHIP RES 33.0 OHM 5 0402	R6430	0613952R09	CER CHIP RES 22K OHM 5% 0402	R6526	NOT PLACED	-
R6202	0613952R01	CER CHIP RES 10K OHM 5% 0402	R6315	0613952R66	CER CHIP RES 0.0 +/-0.050 OHM	R6431	0613952Q81	CER CHIP RES 2200 OHM 5 0402	R6527	0613952N87	CER CHIP RES 78.7K OHM 1 0402
R6203	0613952R66	CER CHIP RES 0.0 +/-0.050 OHM	R6316	0613952R01	CER CHIP RES 10K OHM 5% 0402	R6432	NOT PLACED	-	R6528	0613952R25	CER CHIP RES 100K OHM 5% 0402
R6204	0613952R01	CER CHIP RES 10K OHM 5% 0402	R6317	0613952R66	CER CHIP RES 0.0 +/-0.050 OHM	R6433	NOT PLACED	-	R6529	0615049H01	KAMAYA 0.2 OHM CHIP RESISTOR
R6205	0613952R01	CER CHIP RES 10K OHM 5% 0402	R6318	0613952R66	CER CHIP RES 0.0 +/-0.050 OHM	R6434	0613952R66	CER CHIP RES 0.0 +/-0.050 OHM	R6530	0613952L30	CER CHIP RES 200 OHM 1 0402
R6206	0613952R25	CER CHIP RES 100K OHM 5% 0402	R6401	0613952R01	CER CHIP RES 10K OHM 5% 0402	R6435	NOT PLACED	-	R6531	0613952R01	CER CHIP RES 10K OHM 5% 0402
R6207	0613952R25	CER CHIP RES 100K OHM 5% 0402	R6402	0613952R32	CER CHIP RES 200K OHM 5 0402	R6436	NOT PLACED	-	R6532	0613952R66	CER CHIP RES 0.0 +/-0.050 OHM
R6208	0613952Q89	CER CHIP RES 4700 OHM 5 0402	R6403	0613952Q81	CER CHIP RES 2200 OHM 5 0402	R6501	0613952Q25	CER CHIP RES 10.0 OHM 5 0402	R6533	0613952R66	CER CHIP RES 0.0 +/-0.050 OHM
R6209	0613952Q89	CER CHIP RES 4700 OHM 5 0402	R6404	0613952Q81	CER CHIP RES 2200 OHM 5 0402	R6502	0613952Q25	CER CHIP RES 10.0 OHM 5 0402	R6534	NOT PLACED	-
R6210	0613952Q89	CER CHIP RES 4700 OHM 5 0402	R6405	NOT PLACED	-	R6503	0613952Q25	CER CHIP RES 10.0 OHM 5 0402	R6535	0613952N01	CER CHIP RES 10.0K OHM 1 0402
R6211	0613952R01	CER CHIP RES 10K OHM 5% 0402	R6406	NOT PLACED	-	R6504	0613952R09	CER CHIP RES 22K OHM 5% 0402	R6536	0613952Z72	RES,MF,91KOHM,1%,.0625W,SM ,0402,200PPM/CEL,PB-FREE
R6212	NOT PLACED	-	R6407	0613952Q81	CER CHIP RES 2200 OHM 5 0402	R6505	0613952G67	CER CHIP RES 0.0 +/-0.050 OHM	R6537	0613952P09	CER CHIP RES 121K OHM 1 0402
R6213	0613952R01	CER CHIP RES 10K OHM 5% 0402	R6408	NOT PLACED	-	R6506	0613952R66	CER CHIP RES 0.0 +/-0.050 OHM	R6538	0613952Q95	CER CHIP RES 8200 OHM 5 0402
R6214	0613952R01	CER CHIP RES 10K OHM 5% 0402	R6409	NOT PLACED	-	R6507	0613952R01	CER CHIP RES 10K OHM 5% 0402	R6539	0613952P66	CER CHIP RES 475K OHM 1 0402
R6215	0613952R01	CER CHIP RES 10K OHM 5% 0402	R6410	0613952R01	CER CHIP RES 10K OHM 5% 0402	R6508	0613952Q80	CER CHIP RES 2000 OHM 5 0402	R6540	0613952P66	CER CHIP RES 475K OHM 1 0402
R6216	0613952R01	CER CHIP RES 10K OHM 5% 0402	R6411	0613952R66	CER CHIP RES 0.0 +/-0.050 OHM	R6509	NOT PLACED	-	R6541	0613952R25	CER CHIP RES 100K OHM 5% 0402
R6217	0613952Q73	CER CHIP RES 1000 OHM 5 0402	R6412	NOT PLACED	-	R6510	0613952R17	CER CHIP RES 47K OHM 5% 0402	R6542	0613952R66	CER CHIP RES 0.0 +/-0.050 OHM
R6218	0613952Q80	CER CHIP RES 2000 OHM 5 0402	R6413	NOT PLACED	-	R6511	0613952R01	CER CHIP RES 10K OHM 5% 0402	R6543	NOT PLACED	-
R6301	0613952R01	CER CHIP RES 10K OHM 5% 0402	R6414	0613952Q61	CER CHIP RES 330 OHM 5 0402	R6512	0613952R25	CER CHIP RES 100K OHM 5% 0402	R6544	0613952G67	CER CHIP RES 0.0 +/-0.050 OHM
R6302	0613952R25	CER CHIP RES 100K OHM 5% 0402	R6415	0613952Q61	CER CHIP RES 330 OHM 5 0402	R6513	0613952R66	CER CHIP RES 0.0 +/-0.050 OHM	R6545	0613952R25	CER CHIP RES 100K OHM 5% 0402
R6303	0613952R25	CER CHIP RES 100K OHM 5% 0402	R6416	0613952Q61	CER CHIP RES 330 OHM 5 0402	R6514	0613952Q89	CER CHIP RES 4700 OHM 5 0402	R6546	0613952R66	CER CHIP RES 0.0 +/-0.050 OHM
R6304	0613952Q25	CER CHIP RES 10.0 OHM 5 0402	R6417	0613952Q61	CER CHIP RES 330 OHM 5 0402	R6515	0613952R66	CER CHIP RES 0.0 +/-0.050 OHM	R6547	0613952R66	CER CHIP RES 0.0 +/-0.050 OHM
R6305	0613952Q25	CER CHIP RES 10.0 OHM 5 0402	R6418	0613952R66	CER CHIP RES 0.0 +/-0.050 OHM	R6516	0613952R66	CER CHIP RES 0.0 +/-0.050 OHM	R6548	NOT PLACED	-
R6308	0613952R66	CER CHIP RES 0.0 +/-0.050 OHM	R6419	0613952Q37	CER CHIP RES 33.0 OHM 5 0402	R6517	0613952Q63	CER CHIP RES 390 OHM 5 0402	R6549	0613952R66	CER CHIP RES 0.0 +/-0.050 OHM
			R6420	0613952R17	CER CHIP RES 47K OHM 5% 0402	R6518	0613952R66	CER CHIP RES 0.0 +/-0.050 OHM			
			R6421	0613952R01	CER CHIP RES 10K OHM 5% 0402	R6519	0613952Q89	CER CHIP RES 4700 OHM 5 0402			
			R6422	0613952Q51	CER CHIP RES 120 OHM 5 0402	R6520	0613952Q73	CER CHIP RES 1000 OHM 5 0402			
			R6423	0613952R66	CER CHIP RES 0.0 +/-0.050 OHM						
			R6424	0613952R66	CER CHIP RES 0.0 +/-0.050 OHM						

Ref. Des.	Part Number	Description	Ref. Des.	Part Number	Description	Ref. Des.	Part Number	Description	Ref. Des.	Part Number	Description
R6550	0613952Z64	RES,MF,39KOHM,1%,.0625W,SM,0402,200PPM/CEL,PB-FREE	R6582	0613952Q89	CER CHIP RES 4700 OHM 5 0402	TP5001	NOT PLACED	-	U6302	5102495J13	IC,MICROP,P1710ZZGE,BGA,12MHZ,32BITS
R6551	0613952Z62	RES,MF,33KOHM,1%,.0625W,SM,0402,200PPM/CEL,PB-FREE	R6583	0613952R03	CER CHIP RES 12K OHM 5% 0402	TP6101	NOT PLACED	-	U6303	5175772B36	IC, BILATERAL ANALOG SWITCH
R6552	0613952R25	CER CHIP RES 100K OHM 5% 0402	R6584	0613952Q56	CER CHIP RES 200 OHM 5 0402	TP6301	NOT PLACED	-	U6304	0105955U26	ASSY,IC,BGA SPEC PROG, FLASH MEMORY
R6553	0613952R25	CER CHIP RES 100K OHM 5% 0402	R6601	0613952R01	CER CHIP RES 10K OHM 5% 0402	TP6302	NOT PLACED	-	U6401	NOT PLACED	-
R6554	0613952R66	CER CHIP RES 0.0 +/-0.050 OHM	R6602	0613952R66	CER CHIP RES 0.0 +/-0.050 OHM	TP6303	NOT PLACED	-	U6402	5171674H01	OP AMP
R6555	NOT PLACED	-	R6603	0613952R66	CER CHIP RES 0.0 +/-0.050 OHM	TP6304	NOT PLACED	-	U6403	NOT PLACED	-
R6556	0613952R66	CER CHIP RES 0.0 +/-0.050 OHM	R6604	0613952Q51	CER CHIP RES 120 OHM 5 0402	TP6305	NOT PLACED	-	U6404	NOT PLACED	-
R6557	NOT PLACED	-	R6605	0613952Q51	CER CHIP RES 120 OHM 5 0402	TP6306	NOT PLACED	-	U6405	5188348V06	IC,AUDIO CODEC,SM,AUDIO CODEC
R6558	0613952P22	CER CHIP RES 165K OHM 1 0402	R6606	0613952Q51	CER CHIP RES 120 OHM 5 0402	TP6307	NOT PLACED	-	U6406	NOT PLACED	-
R6559	0613952P24	CER CHIP RES 174K OHM 1 0402	R6607	0613952Q37	CER CHIP RES 33.0 OHM 5 0402	TP6308	NOT PLACED	-	U6407	NOT PLACED	-
R6560	0613952R66	CER CHIP RES 0.0 +/-0.050 OHM	R6608	0613952R66	CER CHIP RES 0.0 +/-0.050 OHM	U2101	5109522E84	IC DUAL SCHMITT TRIG MICRO PAK	U6408	5188521T01	IC,VREF,SM,SOT23,1PER PKG,.5%,1.25 TO 13.75,PRCN BANDGAP ADJUS
R6561	0613952R66	CER CHIP RES 0.0 +/-0.050 OHM	R6609	0613952R01	CER CHIP RES 10K OHM 5% 0402	U2102	5109522E84	IC DUAL SCHMITT TRIG MICRO PAK	U6409	51009000001	NANOPOWER, 1.8V, SOT23 COMPARATOR
R6562	0613952R66	CER CHIP RES 0.0 +/-0.050 OHM	R6616	0613952R25	CER CHIP RES 100K OHM 5% 0402	U2103	5109522E84	IC DUAL SCHMITT TRIG MICRO PAK	U6410	5109768D14	IC, TEMPERATURE SENSOR, CALIBRATED,SC-70
R6563	0613952R66	CER CHIP RES 0.0 +/-0.050 OHM	R6617	0613952R01	CER CHIP RES 10K OHM 5% 0402	U2201	5171679H01	LED LIGHT DRIVER	U6501	5185143E77	IC, MAKO ASIC, CMOS PWR MGMT
R6564	0613952R66	CER CHIP RES 0.0 +/-0.050 OHM	R6618	0613952R01	CER CHIP RES 10K OHM 5% 0402	U2202	5164852H47	IC, I2C LEVEL TRANSLATOR	U6502	4871987H01	LOW FREQUENCY TRANSISTOR
R6565	0613952R66	CER CHIP RES 0.0 +/-0.050 OHM	R6619	0613952R01	CER CHIP RES 10K OHM 5% 0402	U2203	NOT PLACED	-	U6503	5171674H01	OP AMP
R6566	0613952R66	CER CHIP RES 0.0 +/-0.050 OHM	R6620	0613952R01	CER CHIP RES 10K OHM 5% 0402	U4001	5164852H47	IC, I2C LEVEL TRANSLATOR	U6504	5171682H01	800MA BUCK REGULATOR
R6567	0613952R66	CER CHIP RES 0.0 +/-0.050 OHM	R6621	0613952Q89	CER CHIP RES 4700 OHM 5 0402	U4002	5171672H01	DUAL BUFFER W/ OPEN-DRAIN OUTPUTS	U6505	5189631P01	IC,SYNC STEP-DOWN CONV
R6568	0613952P47	CER CHIP RES 301K OHM 1 0402	R6622	0613952Q89	CER CHIP RES 4700 OHM 5 0402	U4003	5188691V01	IC,MUX/DEMUX, NC7SB3157P6X,SM,SC70-6,1PER PKG,BUS,PB FREE	U6506	5184790Y04	IC,400MA ADJ VREG LDO, SOT23
R6569	0613952P66	CER CHIP RES 475K OHM 1 0402	R6623	0613952Q35	CER CHIP RES 27.0 OHM 5 0402	U4004	5116783H01	SN74LVC2G66 ANALOG SWITCH	U6507	5171682H01	800MA BUCK REGULATOR
R6570	0613952R66	CER CHIP RES 0.0 +/-0.050 OHM	R6624	0613952Q35	CER CHIP RES 27.0 OHM 5 0402	U5001	5175114H01	SINGLE AND GATE MICROPAC	U6508	5171682H01	800MA BUCK REGULATOR
R6571	NOT PLACED	-	R6625	0613952Q35	CER CHIP RES 27.0 OHM 5 0402	U5002	5175114H01	SINGLE AND GATE MICROPAC	U6509	5175114H01	SINGLE AND GATE MICROPAC
R6572	0613952R66	CER CHIP RES 0.0 +/-0.050 OHM	R6626	0613952R01	CER CHIP RES 10K OHM 5% 0402	U5003	5185912Y03	IC,CRYPTOGRAPHIC PROCESSOR	U6511	5171339H01	MICROPOWER VOLTAGE REGULATOR
R6574	0613952R25	CER CHIP RES 100K OHM 5% 0402		2675865B02	SHIELD, MACE WITH TAMPER CONTACT	U5004	5175114H01	SINGLE AND GATE MICROPAC	U6601	5175114H01	SINGLE AND GATE MICROPAC
R6576	0613952R01	CER CHIP RES 10K OHM 5% 0402		2675866B01	SHIELD, OMAP MEM CPLD	U5005	5171339H01	MICROPOWER VOLTAGE REGULATOR	Y6501	4864005H01	RESONATOR, CRYSTAL 24.576 MHZ
R6577	0613952Q89	CER CHIP RES 4700 OHM 5 0402		26012083001	SHIELD, DISCRETE SWITCHERS	U5006	5171988H01	CMOS COMPARATOR	Y6502	4809995L05	XTAL QUARTZ 32.768KHZ CC4V-T1
R6578	0613952Q89	CER CHIP RES 4700 OHM 5 0402		2675868B01	SHIELD, MAKO SWITCHER	U6101	0180706J18	PROGRAMMED CPLD	Y6601	4802582S85	RESON,QRTZ,12MHZ,TOLERANCE10PPM,STABILITY15PPM,SM,FUND,LO
R6579	0613952R01	CER CHIP RES 10K OHM 5% 0402		2675869B01	SHIELD, MAKO	U6102	5188691V01	IC,MUX/DEMUX,NC7SB3157P6X,SM,SC70-6,1PER PKG,BUS,PB FREE			
R6580	0613952R17	CER CHIP RES 47K OHM 5% 0402		2675863B01	SHIELD, CODEC	U6201	5185941F26	IC,COMPTR,LMV7219,NOPB			
R6581	0613952Q49	CER CHIP RES 100 OHM 5 0402	TP2101	NOT PLACED	-	U6301	5188120J01	IC,256MB			
			TP2201	NOT PLACED	-						
			TP2202	NOT PLACED	-						

Notes

8.10 Expansion Boards

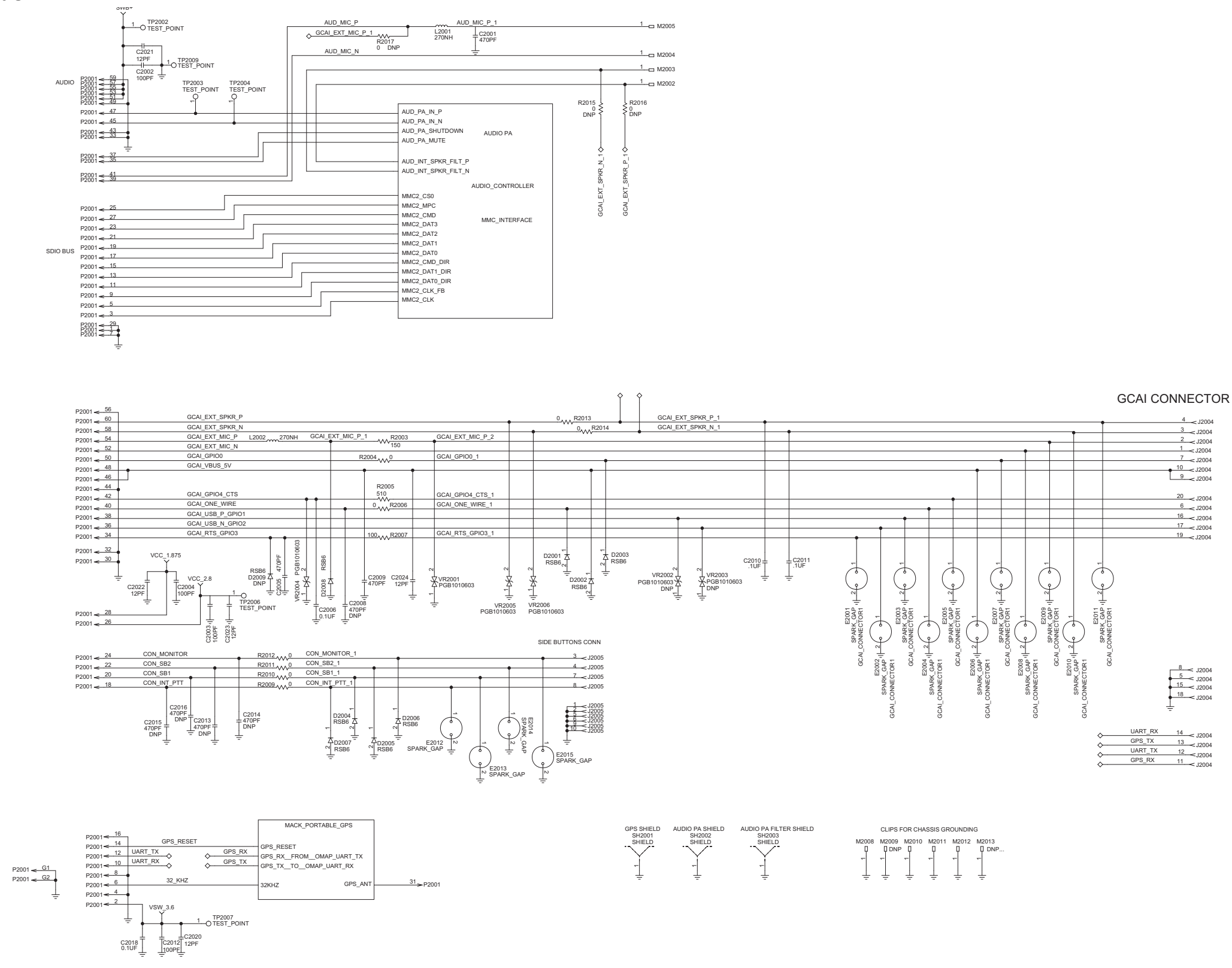


Figure 8-144. MHLN6977A Expansion Board Overall Circuit Schematic

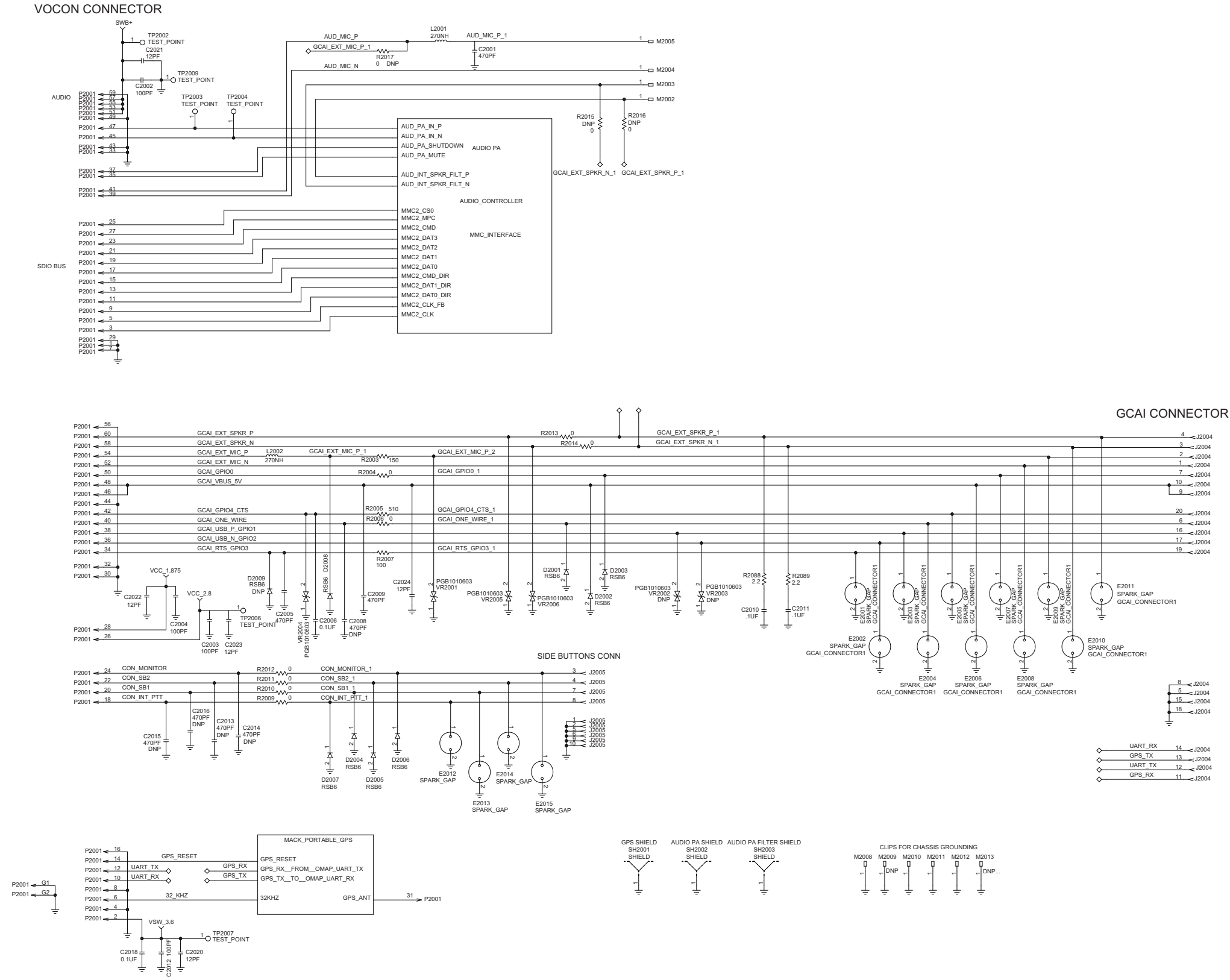


Figure 8-145. MHLN6977B Expansion Board Overall Circuit Schematic

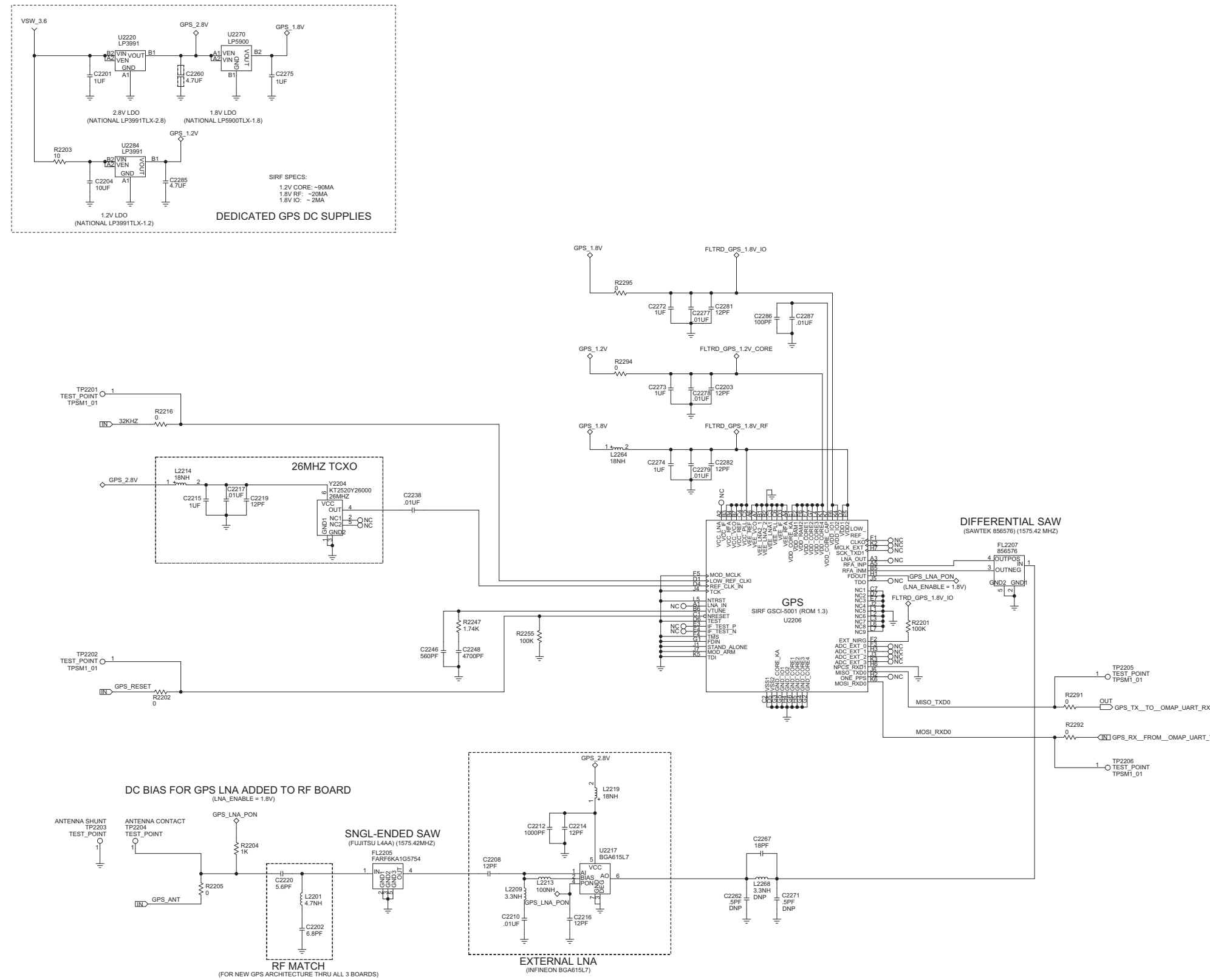


Figure 8-147. MHLN6977A/B GPS Circuit

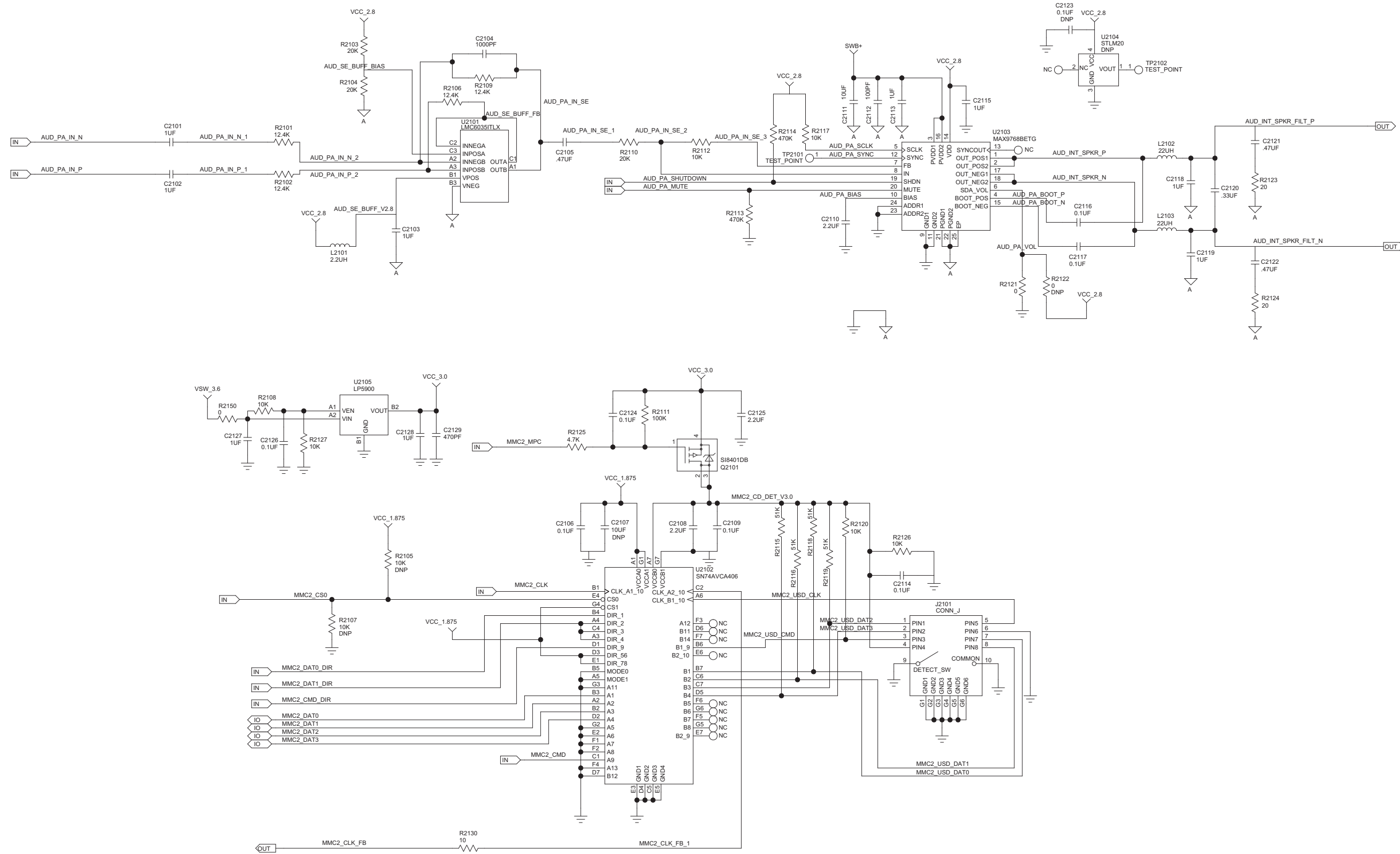


Figure 8-149. MHLN6977A/B and MHLN7035A Audio Controller Circuit

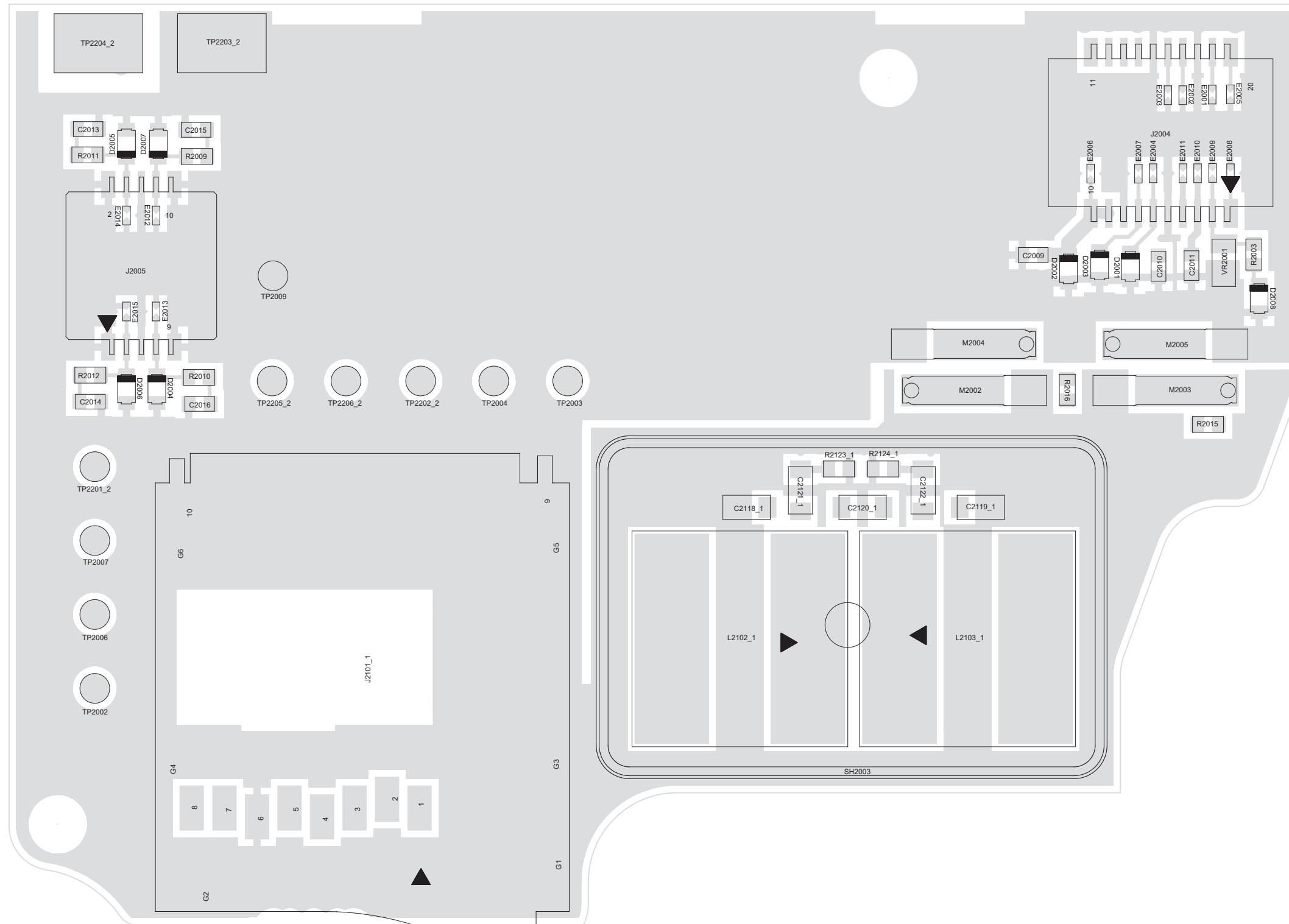


Figure 8-151. MHLN6977A Expansion Board Layout – Side 2

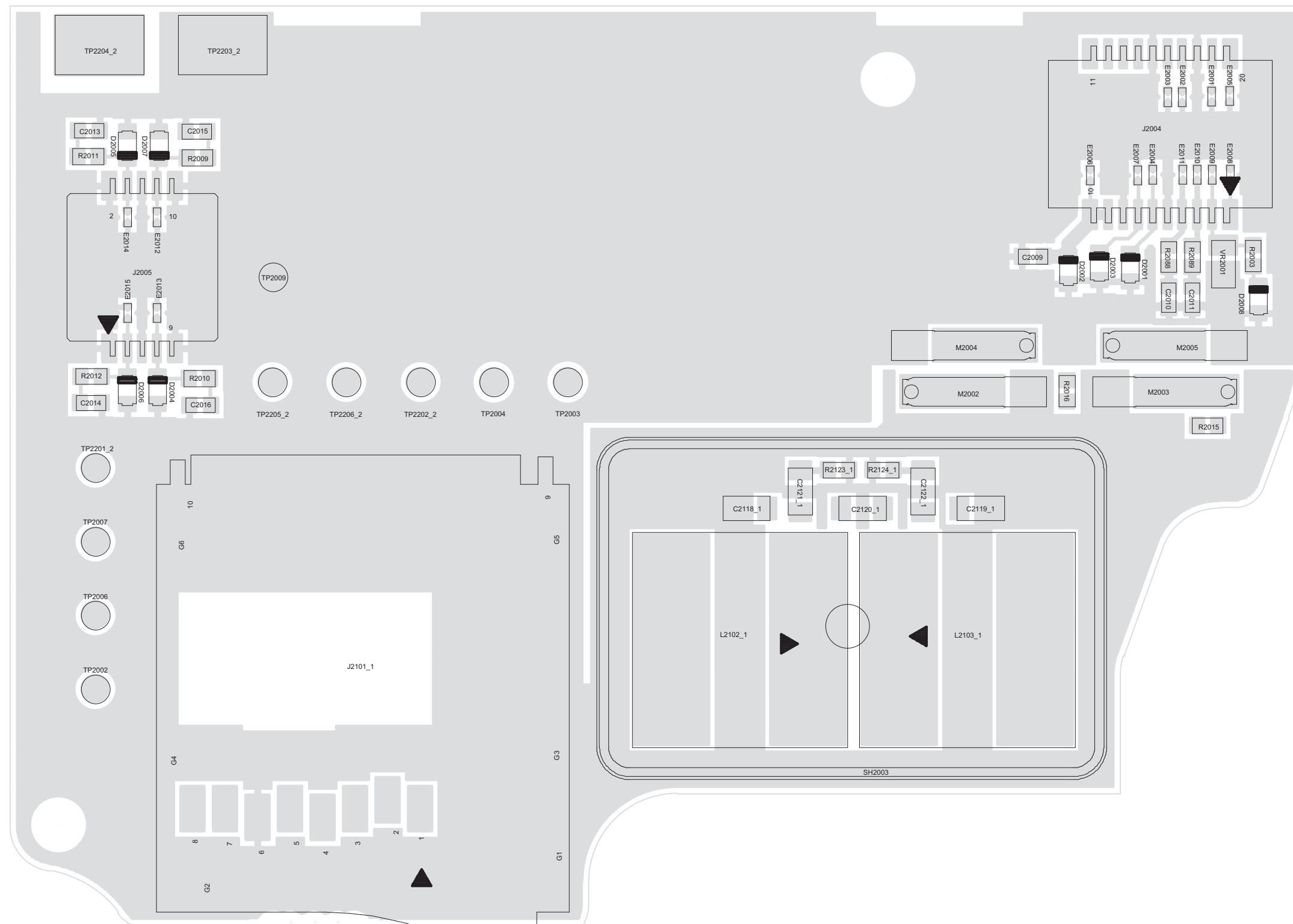


Figure 8-154. MHLN6977B/MHLN7035A Expansion Board Layout – Side 2

MHLN6977A Expansion Board Parts List

Ref. Des.	Part Number	Description
C2001	2113945A05	CAP,CHIP,470PF,+10%,-10%,50V-DC,0402,X7R,-55DEG CMIN,125DEG CMA
C2002	2113944A40	CAP,CHIP,100PF,+5%,-5%,50V-DC,0402,C0G,-55DEG CMIN,125DEG CMAX
C2003	2113944A40	CAP,CHIP,100PF,+5%,-5%,50V-DC,0402,C0G,-55DEG CMIN,125DEG CMAX
C2004	2113944A40	CAP,CHIP,100PF,+5%,-5%,50V-DC,0402,C0G,-55DEG CMIN,125DEG CMAX
C2005	Not Placed	-
C2006	Not Placed	-
C2008	Not Placed	-
C2009	2113945A05	CAP,CHIP,470PF,+10%,-10%,50V-DC,0402,X7R,-55DEG CMIN,125DEG CMA
C2010	2113945Y02	CAP,FXD,.1UF,+10%,-10%,16V-DC,0402,X7R,-55DEG CMIN,125DEG CMAX
C2011	2113945Y02	CAP,FXD,.1UF,+10%,-10%,16V-DC,0402,X7R,-55DEG CMIN,125DEG CMAX
C2012	2113944A40	CAP,CHIP,100PF,+5%,-5%,50V-DC,0402,C0G,-55DEG CMIN,125DEG CMAX
C2013	Not Placed	-
C2014	Not Placed	-
C2015	Not Placed	-
C2016	Not Placed	-
C2018	2113946B04	CAP,CHIP,.1UF,+10%,-10%,10V-DC,0402,X5R,-55DEG CMIN,85DEG CMAX
C2020	2113944A26	CAP,CHIP,12PF,+5%,-5%,50V-DC,0402,C0G,-55DEG CMIN,125DEG CMAX,P
C2021	2113944A26	CAP,CHIP,12PF,+5%,-5%,50V-DC,0402,C0G,-55DEG CMIN,125DEG CMAX,P
C2022	2113944A26	CAP,CHIP,12PF,+5%,-5%,50V-DC,0402,C0G,-55DEG CMIN,125DEG CMAX,P

Ref. Des.	Part Number	Description
C2023	2113944A26	CAP,CHIP,12PF,+5%,-5%,50V-DC,0402,C0G,-55DEG CMIN,125DEG CMAX,P
C2024	2113944A26	CAP,CHIP,12PF,+5%,-5%,50V-DC,0402,C0G,-55DEG CMIN,125DEG CMAX,P
C2101	2113956A51	CAP,FXD,1UF,+10%,-10%,6.3V-DC,0402,X5R,-55DEG CMIN,85DEG CMAX,P
C2102	2113956A51	CAP,FXD,1UF,+10%,-10%,6.3V-DC,0402,X5R,-55DEG CMIN,85DEG CMAX,P
C2103	2113956A51	CAP,FXD,1UF,+10%,-10%,6.3V-DC,0402,X5R,-55DEG CMIN,85DEG CMAX,P
C2104	2113944A52	CAP,CHIP,1000PF,+5%,-5%,50V-DC,0402,C0G,-55DEG CMIN,125DEG CMAX
C2105	2175793A01	CAP,CHIP,.47UF,+10%,-10%,6.3V-DC,0402,X5R,-55DEG CMIN,85DEG CMA
C2106	2113946B04	CAP,CHIP,.1UF,+10%,-10%,10V-DC,0402,X5R,-55DEG CMIN,85DEG CMAX
C2107	Not Placed	-
C2108	2113956B92	CAP,FXD,2.2UF,+10%,-10%,6.3V-DC,0603,X5R,-55DEG CMIN,85DEG CMAX
C2109	2113946B04	CAP,CHIP,.1UF,+10%,-10%,10V-DC,0402,X5R,-55DEG CMIN,85DEG CMAX
C2110	2113956B92	CAP,FXD,2.2UF,+10%,-10%,6.3V-DC,0603,X5R,-55DEG CMIN,85DEG CMAX
C2111	2113956C37	CAP,FXD,10UF,+10%,-10%,16V-DC,0805,X5R,-55DEG CMIN,85DEG CMAX,P
C2112	2113944A40	CAP,CHIP,100PF,+5%,-5%,50V-DC,0402,C0G,-55DEG CMIN,125DEG CMAX
C2113	2113956B91	CAP,FXD,1UF,+10%,-10%,16V-DC,0603,X5R,-55DEG CMIN,85DEG CMAX,PB
C2114	2113946B04	CAP,CHIP,.1UF,+10%,-10%,10V-DC,0402,X5R,-55DEG CMIN,85DEG CMAX

Ref. Des.	Part Number	Description
C2115	2113956A51	CAP,FXD,1UF,+10%,-10%,6.3V-DC,0402,X5R,-55DEG CMIN,85DEG CMAX,P
C2116	2113946B04	CAP,CHIP,.1UF,+10%,-10%,10V-DC,0402,X5R,-55DEG CMIN,85DEG CMAX
C2117	2113946B04	CAP,CHIP,.1UF,+10%,-10%,10V-DC,0402,X5R,-55DEG CMIN,85DEG CMAX
C2118	2113946S35	CAP,CHIP,1UF,+10%,-10%,16V-DC,0603,X5R,-55DEG CMIN,85DEG CMAX,P
C2119	2113946S35	CAP,CHIP,1UF,+10%,-10%,16V-DC,0603,X5R,-55DEG CMIN,85DEG CMAX,P
C2120	2113946L05	CAP,FXD,.33UF,+80%,-20%,16V-DC,0603,Y5V,-30DEG CMIN,85DEG CMAX
C2121	2113946C08	CAP,FXD,.47UF,+10%,-10%,10V-DC,0603,X5R,-55DEG CMIN,85DEG CMAX
C2122	2113946C08	CAP,FXD,.47UF,+10%,-10%,10V-DC,0603,X5R,-55DEG CMIN,85DEG CMAX
C2123	Not Placed	-
C2124	2113946B04	CAP,CHIP,.1UF,+10%,-10%,10V-DC,0402,X5R,-55DEG CMIN,85DEG CMAX
C2125	2113956B92	CAP,FXD,2.2UF,+10%,-10%,6.3V-DC,0603,X5R,-55DEG CMIN,85DEG CMAX
C2126	2113946B04	CAP,CHIP,.1UF,+10%,-10%,10V-DC,0402,X5R,-55DEG CMIN,85DEG CMAX
C2127	2113956A51	CAP,FXD,1UF,+10%,-10%,6.3V-DC,0402,X5R,-55DEG CMIN,85DEG CMAX,P
C2128	2113956A51	CAP,FXD,1UF,+10%,-10%,6.3V-DC,0402,X5R,-55DEG CMIN,85DEG CMAX,P
C2129	2113945A05	CAP,CHIP,470PF,+10%,-10%,50V-DC,0402,X7R,-55DEG CMIN,125DEG CMA
C2201	2113946S35	CAP,CHIP,1UF,+10%,-10%,16V-DC,0603,X5R,-55DEG CMIN,85DEG CMAX,P

Ref. Des.	Part Number	Description
C2202	2113944A21	CAP,CHIP,6.8PF,.5PF+/-,50V-DC,0402,C0G,-55DEG CMIN,125DEG CMAX
C2203	2113944A26	CAP,CHIP,12PF,+5%,-5%,50V-DC,0402,C0G,-55DEG CMIN,125DEG CMAX,P
C2204	2113956B54	CAP,FXD,10UF,+20%,-20%,6.3V-DC,X5R,-55DEG CMIN,85DEG CMAX
C2208	2113944A26	CAP,CHIP,12PF,+5%,-5%,50V-DC,0402,C0G,-55DEG CMIN,125DEG CMAX,P
C2210	2113945B02	CAP,CHIP,.01UF,+10%,-10%,25V-DC,0402,X7R,-55DEG CMIN,125DEG CMA
C2212	2113945A09	CAP,CHIP,1000PF,+10%,-10%,50V-DC,0402,X7R,-55DEG CMIN,125DEG CM
C2214	2113944A26	CAP,CHIP,12PF,+5%,-5%,50V-DC,0402,C0G,-55DEG CMIN,125DEG CMAX,P
C2215	2187893N01	CAP,CER,1UF,20PF+/-,+20%,-20%,6.3V-DC,0402,+/-15%,-55DEG CMIN,85
C2216	2113944A26	CAP,CHIP,12PF,+5%,-5%,50V-DC,0402,C0G,-55DEG CMIN,125DEG CMAX,P
C2217	2113945B02	CAP,CHIP,.01UF,+10%,-10%,25V-DC,0402,X7R,-55DEG CMIN,125DEG CMA
C2219	2113944A26	CAP,CHIP,12PF,+5%,-5%,50V-DC,0402,C0G,-55DEG CMIN,125DEG CMAX,P
C2220	2113944A19	CAP,CHIP,5.6PF,.5PF+/-,50V-DC,0402,C0G,-55DEG CMIN,125DEG CMAX
C2238	2113945B02	CAP,CHIP,.01UF,+10%,-10%,25V-DC,0402,X7R,-55DEG CMIN,125DEG CMA
C2246	2113945A06	CAP,CHIP,560PF,+10%,-10%,50V-DC,0402,X7R,-55DEG CMIN,125DEG CMA
C2248	2113945A13	CAP,CHIP,4700PF,+10%,-10%,50V-DC,0402,X7R,-55DEG CMIN,125DEG CM
C2260	2113946D07	CAP,CHIP,4.7UF,+10%,-10%,6.3V-DC,0603,X5R,-55DEG CMIN,85DEG CMA

Ref. Des.	Part Number	Description
C2262	Not Placed	-
C2267	2113944A28	CAP,CHIP,18PF,+5%,-5%,50V-DC,0402,C0G,-55DEG CMIN,125DEG CMAX,P
C2271	Not Placed	-
C2272	2187893N01	CAP,CER,1UF,20PF+/-,+20%,-20%,6.3V-DC,0402,+/-15%,-55DEG CMIN,85
C2273	2187893N01	CAP,CER,1UF,20PF+/-,+20%,-20%,6.3V-DC,0402,+/-15%,-55DEG CMIN,85
C2274	2187893N01	CAP,CER,1UF,20PF+/-,+20%,-20%,6.3V-DC,0402,+/-15%,-55DEG CMIN,85
C2275	2113946S35	CAP,CHIP,1UF,+10%,-10%,16V-DC,0603,X5R,-55DEG CMIN,85DEG CMAX,P
C2277	2113945B02	CAP,CHIP,.01UF,+10%,-10%,25V-DC,0402,X7R,-55DEG CMIN,125DEG CMA
C2278	2113945B02	CAP,CHIP,.01UF,+10%,-10%,25V-DC,0402,X7R,-55DEG CMIN,125DEG CMA
C2279	2113945B02	CAP,CHIP,.01UF,+10%,-10%,25V-DC,0402,X7R,-55DEG CMIN,125DEG CMA
C2281	2113944A26	CAP,CHIP,12PF,+5%,-5%,50V-DC,0402,C0G,-55DEG CMIN,125DEG CMAX,P
C2282	2113944A26	CAP,CHIP,12PF,+5%,-5%,50V-DC,0402,C0G,-55DEG CMIN,125DEG CMAX,P
C2285	2113946D07	CAP,CHIP,4.7UF,+10%,-10%,6.3V-DC,0603,X5R,-55DEG CMIN,85DEG CMA
C2286	2113944A40	CAP,CHIP,100PF,+5%,-5%,50V-DC,0402,C0G,-55DEG CMIN,125DEG CMAX
C2287	2113945B02	CAP,CHIP,.01UF,+10%,-10%,25V-DC,0402,X7R,-55DEG CMIN,125DEG CMA
D2001	4870359B01	DIODE,SUPR,SM,7.82V,.1W,ESD PROT,V360
D2002	4870359B01	DIODE,SUPR,SM,7.82V,.1W,ESD PROT,V360
D2003	4870359B01	DIODE,SUPR,SM,7.82V,.1W,ESD PROT,V360

Ref. Des.	Part Number	Description
D2004	4870359B01	DIODE,SUPR,SM,7.82V,.1W,ESD PROT,V360
D2005	4870359B01	DIODE,SUPR,SM,7.82V,.1W,ESD PROT,V360
D2006	4870359B01	DIODE,SUPR,SM,7.82V,.1W,ESD PROT,V360
D2007	4870359B01	DIODE,SUPR,SM,7.82V,.1W,ESD PROT,V360
D2008	4870359B01	DIODE,SUPR,SM,7.82V,.1W,ESD PROT,V360
D2009	4870359B01	DIODE,SUPR,SM,7.82V,.1W,ESD PROT,V360
E2001	Not Placed	-
E2002	Not Placed	-
E2003	Not Placed	-
E2004	Not Placed	-
E2005	Not Placed	-
E2006	Not Placed	-
E2007	Not Placed	-
E2008	Not Placed	-
E2009	Not Placed	-
E2010	Not Placed	-
E2011	Not Placed	-
E2012	Not Placed	-
E2013	Not Placed	-
E2014	Not Placed	-
E2015	Not Placed	-
FL2205	9102190J23	FLTR,SAW,BANDPASS,1.57542GHZ NOM,SM,1.4X1.0MM,SMD,PB-FREE
FL2207	9109239M44	FLTR,SAW,BANDPASS,1.57542GHZ NOM,SM,1.40X1.20X0.46 W18 COMP
J2004	0987817K03	CONN,M,20CONT,SM,.5MM PITCH 1.5 STACK SMD
J2005	0975595B01	CONN,BTB,RCPT,10CONT,.5MM,GLD,ST,LOW PROFILE,RECEPTACLE,10 P
J2101	0989801Y02	CONN MEM MOD,RCPT,10CONT,GLD,PUSH/PUSH,TRIFLASH,W/CRD
L2001	2415429H45	IDCTR,WW,270NH,5%,170MA,CER,SM,CHIP

Ref. Des.	Part Number	Description
L2002	2415429H45	IDCTR,WW,270NH,5%,170MA,CER,SM,CHIP
L2101	2480646Z20	COIL,CHIP,2.2UH,10%,MULTI-LAYER CHIP
L2102	2475566B01	FIXED INDUCTOR,PWR22UH,20%,1.3A,.082OHM,AIR,21.5MHZ SRF,SM
L2103	2475566B01	FIXED INDUCTOR,PWR,22UH,20%,1.3A,.082OHM,AIR,21.5MHZ SRF,SM
L2201	2475393H01	IDCTR,COIL,4.7NH,2%,750MA,.07OHM,SM,INDUCTOR,4.7NH,040
L2209	2488090Y07	IDCTR,CHIP,3.3NH,5%,300MA,CER,SM,0402,MULAY PB FREE
L2213	2488090Y25	IDCTR,CHIP,100NH,5%,90MA,CER,SM,0402,MULAY PB FREE
L2214	2414017P16	IDCTR,CHIP,18NH,5%,300MA,.76OHM,CER,9 Q,1.9GHZ SRF,SM,0402,P
L2219	2414017P16	IDCTR,CHIP,18NH,5%,300MA,.76OHM,CER,9 Q,1.9GHZ SRF,SM,0402,P
L2264	2414017P16	IDCTR,CHIP,18NH,5%,300MA,.76OHM,CER,9 Q,1.9GHZ SRF,SM,0402,P
L2268	Not Placed	-
M2002	3987977Y01	CONT,CONN,1CONT,ANT UNIV UC2.5
M2003	3987977Y01	CONT,CONN,1CONT,ANT UNIV UC2.5
M2004	3987977Y01	CONT,CONN,1CONT,ANT UNIV UC2.5
M2005	3987977Y01	CONT,CONN,1CONT,ANT UNIV UC2.5
M2008	3987977Y01	CONT,CONN,1CONT,ANT UNIV UC2.5
M2009	Not Placed	-
M2010	3987977Y01	CONT,CONN,1CONT,ANT UNIV UC2.5
M2011	3987977Y01	CONT,CONN,1CONT,ANT UNIV UC2.5
M2012	3987977Y01	CONT,CONN,1CONT,ANT UNIV UC2.5
M2013	3987977Y01	CONT,CONN,1CONT,ANT UNIV UC2.5

Ref. Des.	Part Number	Description
P2001	2809472T09	HDR 1NTBD 60CKT 2MM .5MM SMD
Q2101	4805585Q23	XSTR,FET GEN PURPOSE SMALL SIG,TRENCHFET,P,SM,BGA,SMT,-20V,1.4
R2003	0613952Q53	RES,MF,150OHM,5%,.0625W,SM,0402,200PPM/CEL,PB-FREE
R2004	0613952R66	RES,MF,0OHM,5%,.0625W,SM,0402,PB-FREE
R2005	0613952Q66	RES,MF,510OHM,5%,.0625W,SM,0402,200PPM/CEL,PB-FREE
R2006	0613952R66	RES,MF,0OHM,5%,.0625W,SM,0402,PB-FREE
R2007	0613952Q49	RES,MF,100,5,.0625,SM,0402,200,PB-FREE
R2009	0613952R66	RES,MF,0OHM,5%,.0625W,SM,0402,PB-FREE
R2010	0613952R66	RES,MF,0OHM,5%,.0625W,SM,0402,PB-FREE
R2011	0613952R66	RES,MF,0OHM,5%,.0625W,SM,0402,PB-FREE
R2012	0613952R66	RES,MF,0OHM,5%,.0625W,SM,0402,PB-FREE
R2013	0613952R66	RES,MF,0OHM,5%,.0625W,SM,0402,PB-FREE
R2014	0613952R66	RES,MF,0OHM,5%,.0625W,SM,0402,PB-FREE
R2015	Not Placed	-
R2016	Not Placed	-
R2017	Not Placed	-
R2101	0613952N10	RES,MF,12.4KOHM,1%,.0625W,SM,0402,200PPM/CEL,PB-FREE
R2102	0613952N10	RES,MF,12.4KOHM,1%,.0625W,SM,0402,200PPM/CEL,PB-FREE
R2103	0613952R08	RES,MF,20KOHM,5%,.0625W,SM,0402,200PPM/CEL,PB-FREE
R2104	0613952R08	RES,MF,20KOHM,5%,.0625W,SM,0402,200PPM/CEL,PB-FREE
R2105	Not Placed	-
R2106	0613952N10	RES,MF,12.4KOHM,1%,.0625W,SM,0402,200PPM/CEL,PB-FREE
R2107	Not Placed	-
R2108	0613952R01	RES,MF,10KOHM,5%,.0625W,SM,0402,200PPM/CEL,PB-FREE

Ref. Des.	Part Number	Description
R2109	0613952N10	RES,MF,12.4KOHM,1%,.0625W,SM,0402,200PPM/CEL,PB-FREE
R2110	0613952R08	RES,MF,20KOHM,5%,.0625W,SM,0402,200PPM/CEL,PB-FREE
R2111	0613952R25	RES,MF,100KOHM,5%,.0625W,SM,0402,200PPM/CEL,PB-FREE
R2112	0613952R01	RES,MF,10KOHM,5%,.0625W,SM,0402,200PPM/CEL,PB-FREE
R2113	0613952R41	RES,MF,470KOHM,5%,.0625W,SM,0402,200PPM/CEL,PB-FREE
R2114	0613952R41	RES,MF,470KOHM,5%,.0625W,SM,0402,200PPM/CEL,PB-FREE
R2115	0613952R18	RES,MF,51KOHM,5%,.0625W,SM,0402,200PPM/CEL,PB-FREE
R2116	0613952R18	RES,MF,51KOHM,5%,.0625W,SM,0402,200PPM/CEL,PB-FREE
R2117	0613952R01	RES,MF,10KOHM,5%,.0625W,SM,0402,200PPM/CEL,PB-FREE
R2118	0613952R18	RES,MF,51KOHM,5%,.0625W,SM,0402,200PPM/CEL,PB-FREE
R2119	0613952R18	RES,MF,51KOHM,5%,.0625W,SM,0402,200PPM/CEL,PB-FREE
R2120	0613952R01	RES,MF,10KOHM,5%,.0625W,SM,0402,200PPM/CEL,PB-FREE
R2121	0613952R66	RES,MF,0OHM,5%,.0625W,SM,0402,PB-FREE
R2122	Not Placed	-
R2123	0613952Q32	RES,MF,20OHM,5%,.0625W,SM,0402,200PPM/CEL,PB-FREE
R2124	0613952Q32	RES,MF,20OHM,5%,.0625W,SM,0402,200PPM/CEL,PB-FREE
R2125	0613952Q89	RES,MF,4700,5,.0625,SM,0402,200,PB-FREE
R2126	0613952R01	RES,MF,10KOHM,5%,.0625W,SM,0402,200PPM/CEL,PB-FREE
R2127	0613952R01	RES,MF,10KOHM,5%,.0625W,SM,0402,200PPM/CEL,PB-FREE
R2130	0613952Q25	RES,MF,10,5,.0625,SM,0402,200,PB-FREE
R2150	0613952G67	RES,MF,0,1,.1,SM,0603,PB-FREE
R2201	0613952R25	RES,MF,100KOHM,5%,.0625W,SM,0402,200PPM/CEL,PB-FREE
R2202	0613952R66	RES,MF,0OHM,5%,.0625W,SM,0402,PB-FREE

Ref. Des.	Part Number	Description
R2203	0613958H25	RES,MF,10OHM,5%,.125W,SM,0805,200PPM/CEL,PB-FREE
R2204	0613952Q73	RES,MF,1KOHM,5%,.0625W,SM,0402,200PPM/CEL,PB-FREE
R2205	0613952R66	RES,MF,0OHM,5%,.0625W,SM,0402,PB-FREE
R2216	0613952R66	RES,MF,0OHM,5%,.0625W,SM,0402,PB-FREE
R2247	0613952M24	RES,MF,1.74KOHM,1%,.0625W,SM,0402,200PPM/CEL,PB-FREE
R2255	0613952R25	RES,MF,100KOHM,5%,.0625W,SM,0402,200PPM/CEL,PB-FREE
R2291	0613952R66	RES,MF,0OHM,5%,.0625W,SM,0402,PB-FREE
R2292	0613952R66	RES,MF,0OHM,5%,.0625W,SM,0402,PB-FREE
R2294	0613952R66	RES,MF,0OHM,5%,.0625W,SM,0402,PB-FREE
R2295	0613952R66	RES,MF,0OHM,5%,.0625W,SM,0402,PB-FREE
SH2001	2675861B01	SHLD,STL,SN PLT,SHIELD, GPS CKT
SH2002	2675860B01	SHLD,STL,SN PLT,SHIELD, AU PA
SH2003	2675862B01	SHLD,STL,SN PLT,SHIELD, PA FLTR
TP2002	Not Placed	-
TP2003	Not Placed	-
TP2004	Not Placed	-
TP2006	Not Placed	-
TP2007	Not Placed	-
TP2009	Not Placed	-
TP2101	Not Placed	-
TP2102	Not Placed	-
TP2201	Not Placed	-
TP2202	Not Placed	-
TP2203	Not Placed	-
TP2204	Not Placed	-
TP2205	Not Placed	-
TP2206	Not Placed	-
U2101	5115453H01	IC,OP AMP,2PER PKG,RAIL TO RAIL OUTPUT, 8 PIN BGA

Ref. Des.	Part Number	Description
U2102	5175771A74	IC,XCVR,1PER PKG,VFBGA,IC, TI SDIO LEV XLTR
U2103	5175771A75	IC,QFN,1PER PKG,IC, MAXIM 8W CLASS D AU PA
U2104	Not Placed	-
U2105	5175771A99	IC,LNR V REGLTR,FXD, 100MA,VFBGA,LOW NOISE, 100MA LINEAR REGL
U2206	5188450M58	IC,GPS RECEIVER,BGA,4 MM X 6 MM WITH 0.5 MM BALL PITCH,GSCI5000
U2217	5105739X13	IC,AMP,SIGE,QFN,QFN,18DB, 1.57GHZMIN,1.57GHZMAX,.9DB, SIGE GPS LO
U2220	5171728H01	IC,LNR V REGLTR,IC,VOLT. REG,LINEAR,FIXED,SM,2.8V
U2270	5175772B02	IC,LNR V REGLTR,FXD,1.8V, 100MA,VFBGA,LINEAR REGLTR 100MA 1.8
U2284	5109512F90	IC,LNR V REGLTR,FXD,1.2V, 60MA,SM,300MA LOW INPUT 1.2V OUT,4-B
VR2001	4805656W94	DIODE,SUPR,ZEN DIODE ESD SUPR
VR2002	Not Placed	-
VR2002	Not Placed	-
VR2003	Not Placed	-
VR2003	Not Placed	-
VR2004	4805656W94	DIODE,SUPR,ZEN DIODE ESD SUPR
VR2005	4805656W94	DIODE,SUPR,ZEN DIODE ESD SUPR
VR2006	4805656W94	DIODE,SUPR,ZEN DIODE ESD SUPR
Y2204	4809718L32	CRYSTAL OSCILLATOR,26MHZ

MHLN6977B Expansion Board Parts List

Ref. Des.	Part Number	Description
C2001	2113945A05	CAP,CHIP,470PF,+10%,-10%,50V-DC,0402,X7R,-55DEG CMIN,125DEG CMA
C2002	2113944A40	CAP,CHIP,100PF,+5%,-5%,50V-DC,0402,C0G,-55DEG CMIN,125DEG CMAX
C2003	2113944A40	CAP,CHIP,100PF,+5%,-5%,50V-DC,0402,C0G,-55DEG CMIN,125DEG CMAX
C2004	2113944A40	CAP,CHIP,100PF,+5%,-5%,50V-DC,0402,C0G,-55DEG CMIN,125DEG CMAX
C2005	Not Placed	-
C2006	Not Placed	-
C2008	Not Placed	-
C2009	2113945A05	CAP,CHIP,470PF,+10%,-10%,50V-DC,0402,X7R,-55DEG CMIN,125DEG CMA
C2010	2113945Y02	CAP,FXD,.1UF,+10%,-10%,16V-DC,0402,X7R,-55DEG CMIN,125DEG CMAX
C2011	2113945Y02	CAP,FXD,.1UF,+10%,-10%,16V-DC,0402,X7R,-55DEG CMIN,125DEG CMAX
C2012	2113944A40	CAP,CHIP,100PF,+5%,-5%,50V-DC,0402,C0G,-55DEG CMIN,125DEG CMAX
C2013	Not Placed	-
C2014	Not Placed	-
C2015	Not Placed	-
C2016	Not Placed	-
C2018	2113946B04	CAP,CHIP,.1UF,+10%,-10%,10V-DC,0402,X5R,-55DEG CMIN,85DEG CMAX
C2020	2113944A26	CAP,CHIP,12PF,+5%,-5%,50V-DC,0402,C0G,-55DEG CMIN,125DEG CMAX,P
C2021	2113944A26	CAP,CHIP,12PF,+5%,-5%,50V-DC,0402,C0G,-55DEG CMIN,125DEG CMAX,P
C2022	2113944A26	CAP,CHIP,12PF,+5%,-5%,50V-DC,0402,C0G,-55DEG CMIN,125DEG CMAX,P

Ref. Des.	Part Number	Description
C2023	2113944A26	CAP,CHIP,12PF,+5%,-5%,50V-DC,0402,C0G,-55DEG CMIN,125DEG CMAX,P
C2024	2113944A26	CAP,CHIP,12PF,+5%,-5%,50V-DC,0402,C0G,-55DEG CMIN,125DEG CMAX,P
C2101	2113956A51	CAP,FXD,1UF,+10%,-10%,6.3V-DC,0402,X5R,-55DEG CMIN,85DEG CMAX,P
C2102	2113956A51	CAP,FXD,1UF,+10%,-10%,6.3V-DC,0402,X5R,-55DEG CMIN,85DEG CMAX,P
C2103	2113956A51	CAP,FXD,1UF,+10%,-10%,6.3V-DC,0402,X5R,-55DEG CMIN,85DEG CMAX,P
C2104	2113944A52	CAP,CHIP,1000PF,+5%,-5%,50V-DC,0402,C0G,-55DEG CMIN,125DEG CMAX
C2105	2175793A01	CAP,CHIP,.47UF,+10%,-10%,6.3V-DC,0402,X5R,-55DEG CMIN,85DEG CMA
C2106	2113946B04	CAP,CHIP,.1UF,+10%,-10%,10V-DC,0402,X5R,-55DEG CMIN,85DEG CMAX
C2107	Not Placed	-
C2108	2113956B92	CAP,FXD,2.2UF,+10%,-10%,6.3V-DC,0603,X5R,-55DEG CMIN,85DEG CMAX
C2109	2113946B04	CAP,CHIP,.1UF,+10%,-10%,10V-DC,0402,X5R,-55DEG CMIN,85DEG CMAX
C2110	2113956B92	CAP,FXD,2.2UF,+10%,-10%,6.3V-DC,0603,X5R,-55DEG CMIN,85DEG CMAX
C2111	2113956C37	CAP,FXD,10UF,+10%,-10%,16V-DC,0805,X5R,-55DEG CMIN,85DEG CMAX,P
C2112	2113944A40	CAP,CHIP,100PF,+5%,-5%,50V-DC,0402,C0G,-55DEG CMIN,125DEG CMAX
C2113	2113956B91	CAP,FXD,1UF,+10%,-10%,16V-DC,0603,X5R,-55DEG CMIN,85DEG CMAX,PB
C2114	2113946B04	CAP,CHIP,.1UF,+10%,-10%,10V-DC,0402,X5R,-55DEG CMIN,85DEG CMAX

Ref. Des.	Part Number	Description
C2115	2113956A51	CAP,FXD,1UF,+10%,-10%,6.3V-DC,0402,X5R,-55DEG CMIN,85DEG CMAX,P
C2116	2113946B04	CAP,CHIP,.1UF,+10%,-10%,10V-DC,0402,X5R,-55DEG CMIN,85DEG CMAX
C2117	2113946B04	CAP,CHIP,.1UF,+10%,-10%,10V-DC,0402,X5R,-55DEG CMIN,85DEG CMAX
C2118	2113946S35	CAP,CHIP,1UF,+10%,-10%,16V-DC,0603,X5R,-55DEG CMIN,85DEG CMAX,P
C2119	2113946S35	CAP,CHIP,1UF,+10%,-10%,16V-DC,0603,X5R,-55DEG CMIN,85DEG CMAX,P
C2120	2113946L05	CAP,FXD,.33UF,+80%,-20%,16V-DC,0603,Y5V,-30DEG CMIN,85DEG CMAX
C2121	2113946C08	CAP,FXD,.47UF,+10%,-10%,10V-DC,0603,X5R,-55DEG CMIN,85DEG CMAX
C2122	2113946C08	CAP,FXD,.47UF,+10%,-10%,10V-DC,0603,X5R,-55DEG CMIN,85DEG CMAX
C2123	Not Placed	-
C2124	2113946B04	CAP,CHIP,.1UF,+10%,-10%,10V-DC,0402,X5R,-55DEG CMIN,85DEG CMAX
C2125	2113956B92	CAP,FXD,2.2UF,+10%,-10%,6.3V-DC,0603,X5R,-55DEG CMIN,85DEG CMAX
C2126	2113946B04	CAP,CHIP,.1UF,+10%,-10%,10V-DC,0402,X5R,-55DEG CMIN,85DEG CMAX
C2127	2113956A51	CAP,FXD,1UF,+10%,-10%,6.3V-DC,0402,X5R,-55DEG CMIN,85DEG CMAX,P
C2128	2113956A51	CAP,FXD,1UF,+10%,-10%,6.3V-DC,0402,X5R,-55DEG CMIN,85DEG CMAX,P
C2129	2113945A05	CAP,CHIP,470PF,+10%,-10%,50V-DC,0402,X7R,-55DEG CMIN,125DEG CMA
C2201	2113946S35	CAP,CHIP,1UF,+10%,-10%,16V-DC,0603,X5R,-55DEG CMIN,85DEG CMAX,P

Ref. Des.	Part Number	Description
C2202	2113944A21	CAP,CHIP,6.8PF,.5PF+/-,50V-DC,0402,C0G,-55DEG CMIN,125DEG CMAX
C2203	2113944A26	CAP,CHIP,12PF,+5%,-5%,50V-DC,0402,C0G,-55DEG CMIN,125DEG CMAX,P
C2204	2113956B54	CAP,FXD,10UF,+20%,-20%,6.3V-DC,X5R,-55DEG CMIN,85DEG CMAX,PB-F
C2208	2113944A26	CAP,CHIP,12PF,+5%,-5%,50V-DC,0402,C0G,-55DEG CMIN,125DEG CMAX,P
C2210	2113945B02	CAP,CHIP,.01UF,+10%,-10%,25V-DC,0402,X7R,-55DEG CMIN,125DEG CMA
C2212	2113945A09	CAP,CHIP,1000PF,+10%,-10%,50V-DC,0402,X7R,-55DEG CMIN,125DEG CM
C2214	2113944A26	CAP,CHIP,12PF,+5%,-5%,50V-DC,0402,C0G,-55DEG CMIN,125DEG CMAX,P
C2215	2187893N01	CAP,CER,1UF,20PF+/-,+20%,-20%,6.3V-DC,0402,+/-15%,-55DEG CMIN,85
C2216	2113944A26	CAP,CHIP,12PF,+5%,-5%,50V-DC,0402,C0G,-55DEG CMIN,125DEG CMAX,P
C2217	2113945B02	CAP,CHIP,.01UF,+10%,-10%,25V-DC,0402,X7R,-55DEG CMIN,125DEG CMA
C2219	2113944A26	CAP,CHIP,12PF,+5%,-5%,50V-DC,0402,C0G,-55DEG CMIN,125DEG CMAX,P
C2220	2113944A19	CAP,CHIP,5.6PF,.5PF+/-,50V-DC,0402,C0G,-55DEG CMIN,125DEG CMAX
C2238	2113945B02	CAP,CHIP,.01UF,+10%,-10%,25V-DC,0402,X7R,-55DEG CMIN,125DEG CMA
C2246	2113945A06	CAP,CHIP,560PF,+10%,-10%,50V-DC,0402,X7R,-55DEG CMIN,125DEG CMA
C2248	2113945A13	CAP,CHIP,4700PF,+10%,-10%,50V-DC,0402,X7R,-55DEG CMIN,125DEG CM
C2260	2113946D07	CAP,CHIP,4.7UF,+10%,-10%,6.3V-DC,0603,X5R,-55DEG CMIN,85DEG CMA

Ref. Des.	Part Number	Description
C2262	Not Placed	-
C2267	2113944A28	CAP,CHIP,18PF,+5%,-5%,50V-DC,0402,C0G,-55DEG CMIN,125DEG CMAX,P
C2271	Not Placed	-
C2272	2187893N01	CAP,CER,1UF,20PF+/-,+20%,-20%,6.3V-DC,0402,+/-15%,-55DEG CMIN,85
C2273	2187893N01	CAP,CER,1UF,20PF+/-,+20%,-20%,6.3V-DC,0402,+/-15%,-55DEG CMIN,85
C2274	2187893N01	CAP,CER,1UF,20PF+/-,+20%,-20%,6.3V-DC,0402,+/-15%,-55DEG CMIN,85
C2275	2113946S35	CAP,CHIP,1UF,+10%,-10%,16V-DC,0603,X5R,-55DEG CMIN,85DEG CMAX,P
C2277	2113945B02	CAP,CHIP,.01UF,+10%,-10%,25V-DC,0402,X7R,-55DEG CMIN,125DEG CMA
C2278	2113945B02	CAP,CHIP,.01UF,+10%,-10%,25V-DC,0402,X7R,-55DEG CMIN,125DEG CMA
C2279	2113945B02	CAP,CHIP,.01UF,+10%,-10%,25V-DC,0402,X7R,-55DEG CMIN,125DEG CMA
C2281	2113944A26	CAP,CHIP,12PF,+5%,-5%,50V-DC,0402,C0G,-55DEG CMIN,125DEG CMAX,P
C2282	2113944A26	CAP,CHIP,12PF,+5%,-5%,50V-DC,0402,C0G,-55DEG CMIN,125DEG CMAX,P
C2285	2113946D07	CAP,CHIP,4.7UF,+10%,-10%,6.3V-DC,0603,X5R,-55DEG CMIN,85DEG CMA
C2286	2113944A40	CAP,CHIP,100PF,+5%,-5%,50V-DC,0402,C0G,-55DEG CMIN,125DEG CMAX
C2287	2113945B02	CAP,CHIP,.01UF,+10%,-10%,25V-DC,0402,X7R,-55DEG CMIN,125DEG CMA
D2001	4870359B01	DIODE,SUPR,SM,7.82V,.1W,ESD PROT,V360
D2002	4870359B01	DIODE,SUPR,SM,7.82V,.1W,ESD PROT,V360
D2003	4870359B01	DIODE,SUPR,SM,7.82V,.1W,ESD PROT,V360

Ref. Des.	Part Number	Description
D2004	4870359B01	DIODE,SUPR,SM,7.82V,.1W,ESD PROT,V360
D2005	4870359B01	DIODE,SUPR,SM,7.82V,.1W,ESD PROT,V360
D2006	4870359B01	DIODE,SUPR,SM,7.82V,.1W,ESD PROT,V360
D2007	4870359B01	DIODE,SUPR,SM,7.82V,.1W,ESD PROT,V360
D2008	4870359B01	DIODE,SUPR,SM,7.82V,.1W,ESD PROT,V360
D2009	4870359B01	DIODE,SUPR,SM,7.82V,.1W,ESD PROT,V360
E2001	Not Placed	-
E2002	Not Placed	-
E2003	Not Placed	-
E2004	Not Placed	-
E2005	Not Placed	-
E2006	Not Placed	-
E2007	Not Placed	-
E2008	Not Placed	-
E2009	Not Placed	-
E2010	Not Placed	-
E2011	Not Placed	-
E2012	Not Placed	-
E2013	Not Placed	-
E2014	Not Placed	-
E2015	Not Placed	-
FL2205	9102190J23	FLTR,SAW,BANDPASS,1.57542GHZ NOM,SM,1.4X1.0MM,SMD,PB-FREE
FL2207	9109239M44	FLTR,SAW,BANDPASS,1.57542GHZ NOM,SM,1.40X1.20X0.46 W18 COMP
J2004	0987817K03	CONN,M,20CONT,SM,.5MM PITCH 1.5 STACK SMD
J2005	0975595B01	CONN,BTB,RCPT,10CONT,.5MM,GLD,ST,LOW PROFILE,RECEPTACLE, 10 P
J2101	0989801Y02	CONN MEM MOD,RCPT,10CONT, GLD,PUSH/PUSH,TRIFLASH, W/ CRD
L2001	2415429H45	IDCTR,WW,270NH,5%,170MA,CER,SM,CHIP

Ref. Des.	Part Number	Description
L2002	2415429H45	IDCTR,WW,270NH,5%,170MA,CER,SM,CHIP
L2101	2480646Z20	IDCTR,FXD,2.2UH,10%,15MA,SM,MULTI-LAYER CHIP
L2102	2488296D01	IDCTR,PWR,10UH,20%,2A,FERR,SM,FXD INDUCTOR,WW
L2103	2488296D01	IDCTR,PWR,10UH,20%,2A,FERR,SM,FXD INDUCTOR,WW
L2201	2475393H01	IDCTR,COIL,4.7NH,2%,750MA,.070HM,SM,INDUCTOR, 4.7NH,040
L2209	2488090Y07	IDCTR,CHIP,3.3NH,5%,300MA,CER,SM,0402,MULAY PB FREE
L2213	2488090Y25	IDCTR,CHIP,100NH,5%,90MA,CER,SM,0402,MULAY PB FREE
L2214	2414017P16	IDCTR,CHIP,18NH,5%,300MA,.760HM,CER,9 Q,1.9GHZ SRF,SM,0402,P
L2219	2414017P16	IDCTR,CHIP,18NH,5%,300MA,.760HM,CER,9 Q,1.9GHZ SRF,SM,0402,P
L2264	2414017P16	IDCTR,CHIP,18NH,5%,300MA,.760HM,CER,9 Q,1.9GHZ SRF,SM,0402,P
L2268	Not Placed	-
M2002	3987977Y01	CONT,CONN,1CONT,ANT UNIV UC2.5
M2003	3987977Y01	CONT,CONN,1CONT,ANT UNIV UC2.5
M2004	3987977Y01	CONT,CONN,1CONT,ANT UNIV UC2.5
M2005	3987977Y01	CONT,CONN,1CONT,ANT UNIV UC2.5
M2008	3987977Y01	CONT,CONN,1CONT,ANT UNIV UC2.5
M2009	Not Placed	-
M2010	3987977Y01	CONT,CONN,1CONT,ANT UNIV UC2.5
M2011	3987977Y01	CONT,CONN,1CONT,ANT UNIV UC2.5
M2012	3987977Y01	CONT,CONN,1CONT,ANT UNIV UC2.5
M2013	3987977Y01	CONT,CONN,1CONT,ANT UNIV UC2.5
P2001	2809472T15	CONN,HDR 1NTBD 60CKT 2MM .5MM SMD

Ref. Des.	Part Number	Description
Q2101	4805585Q23	XSTR,FET GEN PURPOSE SMALL SIG,TRENCHFET,P,SM,BGA,SMT,-20V,1.4
R2003	0613952Q53	RES,MF,150OHM,5%,.0625W,SM,0402,200PPM/CEL,PB-FREE
R2004	0613952R66	RES,MF,0OHM,5%,.0625W,SM,0402,PB-FREE
R2005	0613952Q66	RES,MF,510OHM,5%,.0625W,SM,0402,200PPM/CEL,PB-FREE
R2006	0613952R66	RES,MF,0OHM,5%,.0625W,SM,0402,PB-FREE
R2007	0613952Q49	RES,MF,100OHM,5%,.0625W,SM,0402,200PPM/CEL,PB-FREE
R2009	0613952R66	RES,MF,0OHM,5%,.0625W,SM,0402,PB-FREE
R2010	0613952R66	RES,MF,0OHM,5%,.0625W,SM,0402,PB-FREE
R2011	0613952R66	RES,MF,0OHM,5%,.0625W,SM,0402,PB-FREE
R2012	0613952R66	RES,MF,0OHM,5%,.0625W,SM,0402,PB-FREE
R2013	0613952R66	RES,MF,0OHM,5%,.0625W,SM,0402,PB-FREE
R2014	0613952R66	RES,MF,0OHM,5%,.0625W,SM,0402,PB-FREE
R2015	Not Placed	-
R2016	Not Placed	-
R2017	Not Placed	-
R2088	0613952Q09	RES,MF,2.2OHM,5%,.0625W,SM,0402,200PPM/CEL,PB-FREE
R2089	0613952Q09	RES,MF,2.2OHM,5%,.0625W,SM,0402,200PPM/CEL,PB-FREE
R2101	0613952N10	RES,MF,12.4KOHM,1%,.0625W,SM,0402,200PPM/CEL,PB-FREE
R2102	0613952N10	RES,MF,12.4KOHM,1%,.0625W,SM,0402,200PPM/CEL,PB-FREE
R2103	0613952R08	RES,MF,20KOHM,5%,.0625W,SM,0402,200PPM/CEL,PB-FREE
R2104	0613952R08	RES,MF,20KOHM,5%,.0625W,SM,0402,200PPM/CEL,PB-FREE
R2105	Not Placed	-
R2106	0613952N10	RES,MF,12.4KOHM,1%,.0625W,SM,0402,200PPM/CEL,PB-FREE
R2107	Not Placed	-

Ref. Des.	Part Number	Description
R2108	0613952R01	RES,MF,10KOHM,5%,.0625W,SM,0402,200PPM/CEL,PB-FREE
R2109	0613952N10	RES,MF,12.4KOHM,1%,.0625W,SM,0402,200PPM/CEL,PB-FREE
R2110	0613952R08	RES,MF,20KOHM,5%,.0625W,SM,0402,200PPM/CEL,PB-FREE
R2111	0613952R25	RES,MF,100KOHM,5%,.0625W,SM,0402,200PPM/CEL,PB-FREE
R2112	0613952R01	RES,MF,10KOHM,5%,.0625W,SM,0402,200PPM/CEL,PB-FREE
R2113	0613952R41	RES,MF,470KOHM,5%,.0625W,SM,0402,200PPM/CEL,PB-FREE
R2114	0613952R41	RES,MF,470KOHM,5%,.0625W,SM,0402,200PPM/CEL,PB-FREE
R2115	0613952R18	RES,MF,51KOHM,5%,.0625W,SM,0402,200PPM/CEL,PB-FREE
R2116	0613952R18	RES,MF,51KOHM,5%,.0625W,SM,0402,200PPM/CEL,PB-FREE
R2117	0613952R01	RES,MF,10KOHM,5%,.0625W,SM,0402,200PPM/CEL,PB-FREE
R2118	0613952R18	RES,MF,51KOHM,5%,.0625W,SM,0402,200PPM/CEL,PB-FREE
R2119	0613952R18	RES,MF,51KOHM,5%,.0625W,SM,0402,200PPM/CEL,PB-FREE
R2120	0613952R01	RES,MF,10KOHM,5%,.0625W,SM,0402,200PPM/CEL,PB-FREE
R2121	0613952R66	RES,MF,0OHM,5%,.0625W,SM,0402,PB-FREE
R2122	Not Placed	-
R2123	0613952Q32	RES,MF,20OHM,5%,.0625W,SM,0402,200PPM/CEL,PB-FREE
R2124	0613952Q32	RES,MF,20OHM,5%,.0625W,SM,0402,200PPM/CEL,PB-FREE
R2125	0613952Q89	RES,MF,4.7KOHM,5%,.0625W,SM,0402,200PPM/CEL,PB-FREE
R2126	0613952R01	RES,MF,10KOHM,5%,.0625W,SM,0402,200PPM/CEL,PB-FREE
R2127	0613952R01	RES,MF,10KOHM,5%,.0625W,SM,0402,200PPM/CEL,PB-FREE
R2130	0613952Q25	RES,MF,10OHM,5%,.0625W,SM,0402,200PPM/CEL,PB-FREE
R2150	0613952G67	RES,MF,0OHM,1%,.1W,SM,0603,PB-FREE

Ref. Des.	Part Number	Description
R2201	0613952R25	RES,MF,100KOHM,5%,.0625W,SM,0402,200PPM/CEL,PB-FREE
R2202	0613952R66	RES,MF,0OHM,5%,.0625W,SM,0402,PB-FREE
R2203	0613958H25	RES,MF,10OHM,5%,.125W,SM,0805,200PPM/CEL,PB-FREE
R2204	0613952Q73	RES,MF,1KOHM,5%,.0625W,SM,0402,200PPM/CEL,PB-FREE
R2205	0613952R66	RES,MF,0OHM,5%,.0625W,SM,0402,PB-FREE
R2216	0613952R66	RES,MF,0OHM,5%,.0625W,SM,0402,PB-FREE
R2247	0613952M24	RES,MF,1.74KOHM,1%,.0625W,SM,0402,200PPM/CEL,PB-FREE
R2255	0613952R25	RES,MF,100KOHM,5%,.0625W,SM,0402,200PPM/CEL,PB-FREE
R2291	0613952R66	RES,MF,0OHM,5%,.0625W,SM,0402,PB-FREE
R2292	0613952R66	RES,MF,0OHM,5%,.0625W,SM,0402,PB-FREE
R2294	0613952R66	RES,MF,0OHM,5%,.0625W,SM,0402,PB-FREE
R2295	0613952R66	RES,MF,0OHM,5%,.0625W,SM,0402,PB-FREE
SH2001	2675861B01	SHLD,STL,SN PLT,SHIELD, GPS CKT
SH2002	2675860B01	SHLD,CAN,STL,SN PLT,14.01MMLG,10.62MMW,1.7MM,SHIELD, AU PA
SH2003	2675862B01	SHLD,STL,SN PLT,SHIELD, PA FLTR
TP2002	Not Placed	-
TP2003	Not Placed	-
TP2004	Not Placed	-
TP2006	Not Placed	-
TP2007	Not Placed	-
TP2009	Not Placed	-
TP2101	Not Placed	-
TP2102	Not Placed	-
TP2201	Not Placed	-
TP2202	Not Placed	-
TP2203	Not Placed	-
TP2204	Not Placed	-

Ref. Des.	Part Number	Description
TP2205	Not Placed	-
TP2206	Not Placed	-
U2101	5115453H01	IC,OP AMP,2PER PKG,RAIL TO RAIL OUTPUT, 8 PIN BGA
U2102	5175771A74	IC,XCVR,1PER PKG,VFBGA,IC, TI SDIO LEV XLTR
U2103	5175771A75	IC,QFN,1PER PKG,IC, MAXIM 8W CLASS D AU PA
U2104	Not Placed	-
U2105	5175771A99	IC,LNR V REGLTR,FXD,100MA,VFBGA,LOW NOISE,100MA LINEAR REGL
U2206	5188450M58	IC,GPS RECEIVER,BGA,4 MM X 6 MM WITH 0.5 MM BALL PITCH,GSCI5000
U2217	5105739X13	IC,AMP,SIGE,QFN,QFN,18DB,1.57GHZMIN,1.57GHZMAX,.9DB,SIGE GPS LO
U2220	5171728H01	IC,LNR V REGLTR,IC, VOLT.REG,LINEAR,FIXED,SM, 2.8V
U2270	5175772B02	IC,LNR V REGLTR,FXD,1.8V,100MA,VFBGA,LINEAR REGLTR 100MA 1.8
U2284	5109512F90	IC,LNR V REGLTR,FXD,1.2V,60MA,SM,300MA LOW INPUT 1.2V OUT,4-B
VR2001	4805656W94	DIODE,SUPR,ZEN DIODE ESD SUPR
VR2002	Not Placed	-
VR2003	Not Placed	-
VR2004	4805656W94	DIODE,SUPR,ZEN DIODE ESD SUPR
VR2005	4805656W94	DIODE,SUPR,ZEN DIODE ESD SUPR
VR2006	4805656W94	DIODE,SUPR,ZEN DIODE ESD SUPR
Y2204	4809718L32	OSC,TCXO,26MHZ,SM,MDL 2.5X2.0X0.9MM,PB-FREE

MHLN7035A Expansion Board Parts List

Ref. Des.	Part Number	Description
C2001	2113945A05	CAP,CHIP,470PF,+10%,-10%,50V-DC,0402,X7R,-55DEG CMIN,125DEG CMA
C2002	2113944A40	CAP,CHIP,100PF,+5%,-5%,50V-DC,0402,C0G,-55DEG CMIN,125DEG CMAX
C2003	2113944A40	CAP,CHIP,100PF,+5%,-5%,50V-DC,0402,C0G,-55DEG CMIN,125DEG CMAX
C2004	2113944A40	CAP,CHIP,100PF,+5%,-5%,50V-DC,0402,C0G,-55DEG CMIN,125DEG CMAX
C2005	Not Placed	-
C2006	Not Placed	-
C2008	Not Placed	-
C2009	2113945A05	CAP,CHIP,470PF,+10%,-10%,50V-DC,0402,X7R,-55DEG CMIN,125DEG CMA
C2010	2113945Y02	CAP,FXD,.1UF,+10%,-10%,16V-DC,0402,X7R,-55DEG CMIN,125DEG CMAX
C2011	2113945Y02	CAP,FXD,.1UF,+10%,-10%,16V-DC,0402,X7R,-55DEG CMIN,125DEG CMAX
C2012	2113944A40	CAP,CHIP,100PF,+5%,-5%,50V-DC,0402,C0G,-55DEG CMIN,125DEG CMAX
C2013	2113945A05	CAP,CHIP,470PF,+10%,-10%,50V-DC,0402,X7R,-55DEG CMIN,125DEG CMA
C2014	Not Placed	-
C2015	2113945A05	CAP,CHIP,470PF,+10%,-10%,50V-DC,0402,X7R,-55DEG CMIN,125DEG CMA
C2016	2113945A05	CAP,CHIP,470PF,+10%,-10%,50V-DC,0402,X7R,-55DEG CMIN,125DEG CMA
C2018	2113946B04	CAP,CHIP,.1UF,+10%,-10%,10V-DC,0402,X5R,-55DEG CMIN,85DEG CMAX
C2020	2113944A26	CAP,CHIP,12PF,+5%,-5%,50V-DC,0402,C0G,-55DEG CMIN,125DEG CMAX,P
C2021	2113944A26	CAP,CHIP,12PF,+5%,-5%,50V-DC,0402,C0G,-55DEG CMIN,125DEG CMAX,P

Ref. Des.	Part Number	Description
C2022	2113944A26	CAP,CHIP,12PF,+5%,-5%,50V-DC,0402,C0G,-55DEG CMIN,125DEG CMAX,P
C2023	2113944A26	CAP,CHIP,12PF,+5%,-5%,50V-DC,0402,C0G,-55DEG CMIN,125DEG CMAX,P
C2024	2113944A26	CAP,CHIP,12PF,+5%,-5%,50V-DC,0402,C0G,-55DEG CMIN,125DEG CMAX,P
C2101	2113956A51	CAP,FXD,1UF,+10%,-10%,6.3V-DC,0402,X5R,-55DEG CMIN,85DEG CMAX,P
C2102	2113956A51	CAP,FXD,1UF,+10%,-10%,6.3V-DC,0402,X5R,-55DEG CMIN,85DEG CMAX,P
C2103	2113956A51	CAP,FXD,1UF,+10%,-10%,6.3V-DC,0402,X5R,-55DEG CMIN,85DEG CMAX,P
C2104	2113944A52	CAP,CHIP,1000PF,+5%,-5%,50V-DC,0402,C0G,-55DEG CMIN,125DEG CMAX
C2105	2175793A01	CAP,CHIP,.47UF,+10%,-10%,6.3V-DC,0402,X5R,-55DEG CMIN,85DEG CMA
C2106	2113946B04	CAP,CHIP,.1UF,+10%,-10%,10V-DC,0402,X5R,-55DEG CMIN,85DEG CMAX
C2107	Not Placed	-
C2108	2113956B92	CAP,FXD,2.2UF,+10%,-10%,6.3V-DC,0603,X5R,-55DEG CMIN,85DEG CMAX
C2109	2113946B04	CAP,CHIP,.1UF,+10%,-10%,10V-DC,0402,X5R,-55DEG CMIN,85DEG CMAX
C2110	2113956B92	CAP,FXD,2.2UF,+10%,-10%,6.3V-DC,0603,X5R,-55DEG CMIN,85DEG CMAX
C2111	2113956C37	CAP,FXD,10UF,+10%,-10%,16V-DC,0805,X5R,-55DEG CMIN,85DEG CMAX,P
C2112	2113944A40	CAP,CHIP,100PF,+5%,-5%,50V-DC,0402,C0G,-55DEG CMIN,125DEG CMAX
C2113	2113956B91	CAP,FXD,1UF,+10%,-10%,16V-DC,0603,X5R,-55DEG CMIN,85DEG CMAX,PB

Ref. Des.	Part Number	Description
C2114	2113946B04	CAP,CHIP,.1UF,+10%,-10%,10V-DC,0402,X5R,-55DEG CMIN,85DEG CMAX
C2115	2113956A51	CAP,FXD,1UF,+10%,-10%,6.3V-DC,0402,X5R,-55DEG CMIN,85DEG CMAX,P
C2116	2113946B04	CAP,CHIP,.1UF,+10%,-10%,10V-DC,0402,X5R,-55DEG CMIN,85DEG CMAX
C2117	2113946B04	CAP,CHIP,.1UF,+10%,-10%,10V-DC,0402,X5R,-55DEG CMIN,85DEG CMAX
C2118	2113946S35	CAP,CHIP,1UF,+10%,-10%,16V-DC,0603,X5R,-55DEG CMIN,85DEG CMAX,P
C2119	2113946S35	CAP,CHIP,1UF,+10%,-10%,16V-DC,0603,X5R,-55DEG CMIN,85DEG CMAX,P
C2120	2113946L05	CAP,FXD,.33UF,+80%,-20%,16V-DC,0603,Y5V,-30DEG CMIN,85DEG CMAX
C2121	2113946C08	CAP,FXD,.47UF,+10%,-10%,10V-DC,0603,X5R,-55DEG CMIN,85DEG CMAX
C2122	2113946C08	CAP,FXD,.47UF,+10%,-10%,10V-DC,0603,X5R,-55DEG CMIN,85DEG CMAX
C2123	Not Placed	-
C2124	2113946B04	CAP,CHIP,.1UF,+10%,-10%,10V-DC,0402,X5R,-55DEG CMIN,85DEG CMAX
C2125	2113956B92	CAP,FXD,2.2UF,+10%,-10%,6.3V-DC,0603,X5R,-55DEG CMIN,85DEG CMAX
C2126	2113946B04	CAP,CHIP,.1UF,+10%,-10%,10V-DC,0402,X5R,-55DEG CMIN,85DEG CMAX
C2127	2113956A51	CAP,FXD,1UF,+10%,-10%,6.3V-DC,0402,X5R,-55DEG CMIN,85DEG CMAX,P
C2128	2113956A51	CAP,FXD,1UF,+10%,-10%,6.3V-DC,0402,X5R,-55DEG CMIN,85DEG CMAX,P
C2129	2113945A05	CAP,CHIP,470PF,+10%,-10%,50V-DC,0402,X7R,-55DEG CMIN,125DEG CMA

Ref. Des.	Part Number	Description
C2201	2172180Y01	CAP,FXD,2.2UF,+20%,-20%,6.3V-DC,0402,X5R,-55DEG CMIN,85DEG CMAX
C2202	2113944A21	CAP,CHIP,6.8PF,.5PF+/-,50V-DC,0402,C0G,-55DEG CMIN,125DEG CMAX
C2208	2113944A26	CAP,CHIP,12PF,+5%,-5%,50V-DC,0402,C0G,-55DEG CMIN,125DEG CMAX,P
C2210	2113945B02	CAP,CHIP,.01UF,+10%,-10%,25V-DC,0402,X7R,-55DEG CMIN,125DEG CMA
C2212	2113945A09	CAP,CHIP,1000PF,+10%,-10%,50V-DC,0402,X7R,-55DEG CMIN,125DEG CM
C2214	2113944A26	CAP,CHIP,12PF,+5%,-5%,50V-DC,0402,C0G,-55DEG CMIN,125DEG CMAX,P
C2215	2187893N01	CAP,CER,1UF,20PF+/-,+20%,-20%,6.3V-DC,0402,+/-15%,-55DEG CMIN,85
C2216	2113944A26	CAP,CHIP,12PF,+5%,-5%,50V-DC,0402,C0G,-55DEG CMIN,125DEG CMAX,P
C2217	2113945Y02	CAP,FXD,.1UF,+10%,-10%,16V-DC,0402,X7R,-55DEG CMIN,125DEG CMAX
C2219	2113944A28	CAP,CHIP,18PF,+5%,-5%,50V-DC,0402,C0G,-55DEG CMIN,125DEG CMAX,P
C2220	2113944A19	CAP,CHIP,5.6PF,.5PF+/-,50V-DC,0402,C0G,-55DEG CMIN,125DEG CMAX
C2238	2113944A29	CAP,CHIP,22PF,+5%,-5%,50V-DC,0402,C0G,-55DEG CMIN,125DEG CMAX,P
C2246	2115153H03	CAP,CER CHIP,1PF,.1PF+/-,50V-DC,0402,C0G
C2248	2113944A25	CAP,CHIP,10PF,+5%,-5%,50V-DC,0402,C0G,-55DEG CMIN,125DEG CMAX,P
C2260	2113956A51	CAP,FXD,1UF,+10%,-10%,6.3V-DC,0402,X5R,-55DEG CMIN,85DEG CMAX,P
C2267	2113944A29	CAP,CHIP,22PF,+5%,-5%,50V-DC,0402,C0G,-55DEG CMIN,125DEG CMAX,P

Ref. Des.	Part Number	Description
C2272	2113945Y02	CAP,FXD,.1UF,+10%,-10%,16V-DC,0402,X7R,-55DEG CMIN,125DEG CMAX
C2273	2113946B04	CAP,CHIP,.1UF,+10%,-10%,10V-DC,0402,X5R,-55DEG CMIN,85DEG CMAX
C2274	2113946B04	CAP,CHIP,.1UF,+10%,-10%,10V-DC,0402,X5R,-55DEG CMIN,85DEG CMAX
C2275	2113946S35	CAP,CHIP,1UF,+10%,-10%,16V-DC,0603,X5R,-55DEG CMIN,85DEG CMAX,P
C2277	2187893N01	CAP,CER,1UF,20PF+/-,+20%,-20%,6.3V-DC,0402,+/-15%,-55DEG CMIN,85
C2278	2187893N01	CAP,CER,1UF,20PF+/-,+20%,-20%,6.3V-DC,0402,+/-15%,-55DEG CMIN,85
C2279	2113946B04	CAP,CHIP,.1UF,+10%,-10%,10V-DC,0402,X5R,-55DEG CMIN,85DEG CMAX
C2281	2113946B04	CAP,CHIP,.1UF,+10%,-10%,10V-DC,0402,X5R,-55DEG CMIN,85DEG CMAX
C2282	2113946B04	CAP,CHIP,.1UF,+10%,-10%,10V-DC,0402,X5R,-55DEG CMIN,85DEG CMAX
C2286	2113946B04	CAP,CHIP,.1UF,+10%,-10%,10V-DC,0402,X5R,-55DEG CMIN,85DEG CMAX
C2287	2187893N01	CAP,CER,1UF,20PF+/-,+20%,-20%,6.3V-DC,0402,+/-15%,-55DEG CMIN,85
C2288	2113946B04	CAP,CHIP,.1UF,+10%,-10%,10V-DC,0402,X5R,-55DEG CMIN,85DEG CMAX
C2289	2113944A28	CAP,CHIP,18PF,+5%,-5%,50V-DC,0402,C0G,-55DEG CMIN,125DEG CMAX,P
D2001	4870359B01	DIODE,SUPR,SM,7.82V,.1W,ESD PROT,V360
D2002	4870359B01	DIODE,SUPR,SM,7.82V,.1W,ESD PROT,V360
D2003	4870359B01	DIODE,SUPR,SM,7.82V,.1W,ESD PROT,V360
D2004	4870359B01	DIODE,SUPR,SM,7.82V,.1W,ESD PROT,V360

Ref. Des.	Part Number	Description
D2005	4870359B01	DIODE,SUPR,SM,7.82V,.1W,ESD PROT,V360
D2006	4870359B01	DIODE,SUPR,SM,7.82V,.1W,ESD PROT,V360
D2007	4870359B01	DIODE,SUPR,SM,7.82V,.1W,ESD PROT,V360
D2008	4870359B01	DIODE,SUPR,SM,7.82V,.1W,ESD PROT,V360
D2009	4870359B01	DIODE,SUPR,SM,7.82V,.1W,ESD PROT,V360
E2001	Not Placed	-
E2002	Not Placed	-
E2003	Not Placed	-
E2004	Not Placed	-
E2005	Not Placed	-
E2006	Not Placed	-
E2007	Not Placed	-
E2008	Not Placed	-
E2009	Not Placed	-
E2010	Not Placed	-
E2011	Not Placed	-
E2012	Not Placed	-
E2013	Not Placed	-
E2014	Not Placed	-
E2015	Not Placed	-
FL2205	9102190J23	FLTR,SAW,BANDPASS,1.57542GHZ NOM,SM,1.4X1.0MM,SMD,PB-FREE
FL2208	9102190J23	FLTR,SAW,BANDPASS,1.57542GHZ NOM,SM,1.4X1.0MM,SMD,PB-FREE
J2004	0987817K03	CONN,M,20CONT,SM,.5MM PITCH 1.5 STACK SMD
J2005	0975595B01	CONN,BTB,RCPT,10CONT,.5MM,GLD,ST,LOW PROFILE,RECEPTACLE,10 P
J2101	0989801Y02	CONN MEM MOD,RCPT,10CONT,GLD,PUSH/PUSH,TRIFLASH, W/ CRD
L2001	2415429H45	IDCTR,WW,270NH,5%,170MA,CER,SM,CHIP
L2002	2415429H45	IDCTR,WW,270NH,5%,170MA,CER,SM,CHIP

Ref. Des.	Part Number	Description
L2101	2480646Z20	IDCTR,FXD,2.2UH,10%,15MA,SM,MULTI-LAYER CHIP
L2102	2488296D01	IDCTR,PWR,10UH,20%,2A,FERR,SM,FXD INDUCTOR,WW
L2103	2488296D01	IDCTR,PWR,10UH,20%,2A,FERR,SM,FXD INDUCTOR,WW
L2201	2475393H01	IDCTR,COIL,4.7NH,2%,750MA,.07OHM,SM,INDUCTOR,4.7NH,040
L2209	2488090Y07	IDCTR,CHIP,3.3NH,5%,300MA,CER,SM,0402,MULAY PB FREE
L2213	2488090Y25	IDCTR,CHIP,100NH,5%,90MA,CER,SM,0402,MULAY PB FREE
L2214	2414017P16	IDCTR,CHIP,18NH,5%,300MA,.76OHM,CER,9 Q,1.9GHZ SRF,SM,0402,P
L2219	2414017P16	IDCTR,CHIP,18NH,5%,300MA,.76OHM,CER,9 Q,1.9GHZ SRF,SM,0402,P
L2268	2414017P14	IDCTR,CHIP,12NH,5%,300MA,.6OHM,CER,9 Q,2GHZ SRF,SM,0402,PB-F
M2002	3987977Y01	CONT,CONN,1CONT,ANT UNIV UC2.5
M2003	3987977Y01	CONT,CONN,1CONT,ANT UNIV UC2.5
M2004	3987977Y01	CONT,CONN,1CONT,ANT UNIV UC2.5
M2005	3987977Y01	CONT,CONN,1CONT,ANT UNIV UC2.5
M2008	3987977Y01	CONT,CONN,1CONT,ANT UNIV UC2.5
M2009	Not Placed	-
M2010	3987977Y01	CONT,CONN,1CONT,ANT UNIV UC2.5
M2011	3987977Y01	CONT,CONN,1CONT,ANT UNIV UC2.5
M2012	3987977Y01	CONT,CONN,1CONT,ANT UNIV UC2.5
M2013	3987977Y01	CONT,CONN,1CONT,ANT UNIV UC2.5
P2001	2809472T15	CONN,HDR 1NTBD 60CKT 2MM .5MM SMD
PWB	8475469B06	PWB,MACKINAW PORT EXP PCB

Ref. Des.	Part Number	Description
Q2101	4805585Q23	XSTR,FET GP SS,TRENCHFET,P,SM,BGA,SMT,-20V,1.47W,PB-FREE
R2003	0613952Q53	RES,MF,150OHM,5%,.0625W,SM,0402,200PPM/CEL,PB-FREE
R2004	0613952R66	RES,MF,0OHM,5%,.0625W,SM,0402,PB-FREE
R2005	0613952Q66	RES,MF,510OHM,5%,.0625W,SM,0402,200PPM/CEL,PB-FREE
R2006	0613952R66	RES,MF,0OHM,5%,.0625W,SM,0402,PB-FREE
R2007	0613952Q49	RES,MF,100OHM,5%,.0625W,SM,0402,200PPM/CEL,PB-FREE
R2009	0613952R66	RES,MF,0OHM,5%,.0625W,SM,0402,PB-FREE
R2010	0613952R66	RES,MF,0OHM,5%,.0625W,SM,0402,PB-FREE
R2011	0613952R66	RES,MF,0OHM,5%,.0625W,SM,0402,PB-FREE
R2012	0613952R66	RES,MF,0OHM,5%,.0625W,SM,0402,PB-FREE
R2013	0613952R66	RES,MF,0OHM,5%,.0625W,SM,0402,PB-FREE
R2014	0613952R66	RES,MF,0OHM,5%,.0625W,SM,0402,PB-FREE
R2015	Not Placed	-
R2016	Not Placed	-
R2017	Not Placed	-
R2088	0613952Q09	RES,MF,2.2OHM,5%,.0625W,SM,0402,200PPM/CEL,PB-FREE
R2089	0613952Q09	RES,MF,2.2OHM,5%,.0625W,SM,0402,200PPM/CEL,PB-FREE
R2101	0613952N10	RES,MF,12.4KOHM,1%,.0625W,SM,0402,200PPM/CEL,PB-FREE
R2102	0613952N10	RES,MF,12.4KOHM,1%,.0625W,SM,0402,200PPM/CEL,PB-FREE
R2103	0613952R08	RES,MF,20KOHM,5%,.0625W,SM,0402,200PPM/CEL,PB-FREE
R2104	0613952R08	RES,MF,20KOHM,5%,.0625W,SM,0402,200PPM/CEL,PB-FREE
R2105	Not Placed	-RES,MF,12.4KOHM,1%,.0625W,SM,0402,
R2106	0613952N10	RES,MF,12.4KOHM,1%,.0625W,SM,0402,200PPM/CEL,PB-FREE
R2107	Not Placed	-

Ref. Des.	Part Number	Description
R2108	0613952R01	RES,MF,10KOHM,5%,.0625W,SM,0402,200PPM/CEL,PB-FREE
R2109	0613952N10	RES,MF,12.4KOHM,1%,.0625W,SM,0402,200PPM/CEL,PB-FREE
R2110	0613952R08	RES,MF,20KOHM,5%,.0625W,SM,0402,200PPM/CEL,PB-FREE
R2111	0613952R25	RES,MF,100KOHM,5%,.0625W,SM,0402,200PPM/CEL,PB-FREE
R2112	0613952R01	RES,MF,10KOHM,5%,.0625W,SM,0402,200PPM/CEL,PB-FREE
R2113	0613952R41	RES,MF,470KOHM,5%,.0625W,SM,0402,200PPM/CEL,PB-FREE
R2114	0613952R41	RES,MF,470KOHM,5%,.0625W,SM,0402,200PPM/CEL,PB-FREE
R2115	0613952R18	RES,MF,51KOHM,5%,.0625W,SM,0402,200PPM/CEL,PB-FREE
R2116	0613952R18	RES,MF,51KOHM,5%,.0625W,SM,0402,200PPM/CEL,PB-FREE
R2117	0613952R01	RES,MF,10KOHM,5%,.0625W,SM,0402,200PPM/CEL,PB-FREE
R2118	0613952R18	RES,MF,51KOHM,5%,.0625W,SM,0402,200PPM/CEL,PB-FREE
R2119	0613952R18	RES,MF,51KOHM,5%,.0625W,SM,0402,200PPM/CEL,PB-FREE
R2120	0613952R01	RES,MF,10KOHM,5%,.0625W,SM,0402,200PPM/CEL,PB-FREE
R2121	0613952R66	RES,MF,0OHM,5%,.0625W,SM,0402,PB-FREE
R2122	Not Placed	-
R2123	0613952Q32	RES,MF,20OHM,5%,.0625W,SM,0402,200PPM/CEL,PB-FREE
R2124	0613952Q32	RES,MF,20OHM,5%,.0625W,SM,0402,200PPM/CEL,PB-FREE
R2125	0613952Q89	RES,MF,4.7KOHM,5%,.0625W,SM,0402,200PPM/CEL,PB-FREE
R2126	0613952R01	RES,MF,10KOHM,5%,.0625W,SM,0402,200PPM/CEL,PB-FREE
R2127	0613952R01	RES,MF,10KOHM,5%,.0625W,SM,0402,200PPM/CEL,PB-FREE
R2130	0613952Q25	RES,MF,10OHM,5%,.0625W,SM,0402,200PPM/CEL,PB-FREE
R2150	0613952G67	RES,MF,0OHM,1%,.1W,SM,0603,PB-FREE
R2202	0613952R66	RES,MF,0OHM,5%,.0625W,SM,0402,PB-FREE

Ref. Des.	Part Number	Description
R2203	0613952R66	RES,MF,0OHM,5%,.0625W,SM,0402,PB-FREE
R2204	0613952Q73	RES,MF,1KOHM,5%,.0625W,SM,0402,200PPM/CEL,PB-FREE
R2205	0613952R66	RES,MF,0OHM,5%,.0625W,SM,0402,PB-FREE
R2206	0613952R66	RES,MF,0OHM,5%,.0625W,SM,0402,PB-FREE
R2207	Not Placed	-
R2208	0613952R66	RES,MF,0OHM,5%,.0625W,SM,0402,PB-FREE
R2209	Not Placed	-
R2210	Not Placed	-
R2211	0613952R66	RES,MF,0OHM,5%,.0625W,SM,0402,PB-FREE
R2212	Not Placed	-RES,MF,0OHM,5%,.0625W,SM,0402,
R2213	0613952R66	RES,MF,0OHM,5%,.0625W,SM,0402,PB-FREE
R2214	0613952R66	RES,MF,0OHM,5%,.0625W,SM,0402,PB-FREE
R2215	0613952R66	RES,MF,0OHM,5%,.0625W,SM,0402,PB-FREE
R2216	0613952R66	RES,MF,0OHM,5%,.0625W,SM,0402,PB-FREE
R2217	Not Placed	-
R2218	Not Placed	-
R2247	Not Placed	-
R2255	0613952R66	RES,MF,0OHM,5%,.0625W,SM,0402,PB-FREE
R2291	0613952R66	RES,MF,0OHM,5%,.0625W,SM,0402,PB-FREE
R2292	Not Placed	-
R2294	Not Placed	-
R2295	0613952R66	RES,MF,0OHM,5%,.0625W,SM,0402,PB-FREE
R2296	0613952R66	RES,MF,0OHM,5%,.0625W,SM,0402,PB-FREE
R2297	0613952R66	RES,MF,0OHM,5%,.0625W,SM,0402,PB-FREE
R2298	0613952R66	RES,MF,0OHM,5%,.0625W,SM,0402,PB-FREE
SH2001	2675861B01	SHLD,STL,SN PLT,SHIELD, GPS CKT

Ref. Des.	Part Number	Description
SH2002	2675860B01	SHLD,CAN,STL,SN PLT,14.01MMLG,10.62MMW,1.7MM,SHIELD, AU PA
SH2003	2675862B01	SHLD,STL,SN PLT,SHIELD, PA FLTR
TP2002	Not Placed	-
TP2003	Not Placed	-
TP2004	Not Placed	-
TP2006	Not Placed	-
TP2007	Not Placed	-
TP2009	Not Placed	-
TP2101	Not Placed	-
TP2102	Not Placed	-
TP2201	Not Placed	-
TP2202	Not Placed	-
TP2203	Not Placed	-
TP2204	Not Placed	-
TP2205	Not Placed	-
TP2206	Not Placed	-
TP2207	Not Placed	-
U2101	5115453H01	IC,OP AMP,2PER PKG,RAIL TO RAIL OUTPUT, 8 PIN BGA
U2102	5175771A74	IC,XCVR,1PER PKG,VFBGA,IC, TI SDIO LEV XLTR
U2103	5175771A75	IC,QFN,1PER PKG,IC, MAXIM 8W CLASS D AU PA
U2104	Not Placed	-
U2105	5175771A99	IC,LNR V REGLTR,FXD,100MA, VFBGA,LOW NOISE, 100MA LINEAR REGL
U2206	51007377001	IC,XCVR,NL5500,BGA,BLUETOOTH, GPS, FM RX, FM TX
U2217	5105739X13	IC,AMP,SIGE,QFN,QFN,18DB,1.57GHZMIN,1.57GHZMAX,.9DB,SIGE GPS LO
U2220	5187344N09	IC,LNR V REGLTR,FXD,2.8V,100MA,SM,ULTRA LNOISE
U2270	5175772B02	IC,LNR V REGLTR,FXD,1.8V,100MA,VFBGA,LINEAR REGLTR 100MA 1.8
VR2001	4805656W94	DIODE,SUPR,ZEN DIODE ESD SUPR
VR2002	Not Placed	-

Ref. Des.	Part Number	Description
VR2003	Not Placed	-
VR2004	4805656W94	DIODE,SUPR,ZEN DIODE ESD SUPR
VR2005	4805656W94	DIODE,SUPR,ZEN DIODE ESD SUPR
VR2006	4805656W94	DIODE,SUPR,ZEN DIODE ESD SUPR
Y2204	93009290001	OSC,XO,26MHZ,SM,26 MHZ TCXO

Appendix A Replacement Parts Ordering

A.1 Basic Ordering Information

When ordering replacement parts or equipment information, the complete identification number should be included. This applies to all components, kits, and chassis. If the component part number is not known, the order should include the number of the chassis or kit of which it is a part, and sufficient description of the desired component to identify it.

A.2 Transceiver Board, VOCON Board, Expander Board and Bluetooth Option Board Ordering Information

When ordering a replacement Transceiver Board, VOCON Board, Expander Board or Bluetooth Option Board, refer to the applicable Model Chart in the front of the Basic Service Manual. Read the Transceiver Board, VOCON Board, Expander Board or Bluetooth Option Board note, and include the proper information with your order.

A.3 Motorola Online

Motorola Online users can access our online catalog at

<http://www.motorolasolutions.com/businessonline>

To register for online access, please call 1-800-422-4210 (for U.S. and Canada Service Centers only). International customers can obtain assistance at <http://www.motorolasolutions.com/businessonline>

A.4 Mail Orders

Mail orders are only accepted by the US Federal Government Markets Division (USFGMD).

Motorola
7031 Columbia Gateway Drive
3rd Floor – Order Processing
Columbia, MD 21046
U.S.A.

A.5 Telephone Orders

Radio Products and Solutions Organization*
(United States and Canada)
7:00 AM to 7:00 PM (Central Standard Time)
Monday through Friday (Chicago, U.S.A.)
1-800-422-4210
1-847-538-8023 (United States and Canada)

U.S. Federal Government Markets Division (USFGMD)
1-877-873-4668
8:30 AM to 5:00 PM (Eastern Standard Time)

A.6 Fax Orders

Radio Products and Solutions Organization*
(United States and Canada)
1-800-622-6210
1-847-576-3023 (United States and Canada)

USFGMD
(Federal Government Orders)
1-800-526-8641 (For Parts and Equipment Purchase Orders)

A.7 Parts Identification

Radio Products and Solutions Organization*
(United States and Canada)
1-800-422-4210

A.8 Product Customer Service

Radio Products and Solutions Organization (United States and Canada)
1-800-927-2744

* The Radio Products and Solutions Organization (RPSO) was formerly known as the Radio Products Services Division (RPSD) and/or the Accessories and Aftermarket Division (AAD).

Glossary

This glossary contains an alphabetical listing of terms and their definitions that are applicable to ASTRO portable and mobile subscriber radio products. All terms do not necessarily apply to all radios, and some terms are merely generic in nature.

Term	Definition
A/D	<i>See analog-to-digital conversion.</i>
Abacus IC	A custom integrated circuit providing a digital receiver intermediate frequency (IF) backend.
ADC	<i>See analog-to-digital converter.</i>
ADDAG	<i>See Analog-to-Digital, Digital-to-Analog and Glue.</i>
ALC	<i>See automatic level control.</i>
analog	Refers to a continuously variable signal or a circuit or device designed to handle such signals. <i>See also digital.</i>
Analog-to-Digital, Digital-to-Analog and Glue	An integrated circuit designed to be an interface between the radio's DSP, which is digital, and the analog transmitter and receiver ICs.
analog-to-digital conversion	Conversion of an instantaneous dc voltage level to a corresponding digital value. <i>See also D/A.</i>
analog-to-digital converter	A device that converts analog signals into digital data. <i>See also DAC.</i>
automatic level control	A circuit in the transmit RF path that controls RF power amplifier output, provides leveling over frequency and voltage, and protects against high VSWR.
band	Frequencies allowed for a specific purpose.
BBP	<i>See baseband interface port.</i>
baseband interface port	Synchronous serial interface to the transceiver board used to transfer transmit and receive audio data.
BGA	<i>See ball grid array.</i>
ball grid array	A type of IC package characterized by solder balls arranged in a grid that are located on the underside of the package.
CODEC	<i>See coder/decoder.</i>

Term	Definition
codeplug	Firmware that contains the unique personality for a system or device. A codeplug is programmable and allows changes to system and unit parameters. <i>See also firmware.</i>
coder/decoder	A device that encodes or decodes a signal.
CPS	<i>See Customer Programming Software.</i>
Customer Programming Software	Software with a graphical user interface containing the feature set of an ASTRO radio. <i>See also RSS.</i>
D/A	<i>See digital-to-analog conversion.</i>
DAC	<i>See digital-to-analog converter.</i>
Data terminal equipment	Data terminal equipment; for example, a computer.
default	A pre-defined set of parameters.
digital	Refers to data that is stored or transmitted as a sequence of discrete symbols from a finite set; most commonly this means binary data represented using electronic or electromagnetic signals. <i>See also analog.</i>
digital-to-analog conversion	Conversion of a digital signal to a voltage that is proportional to the input value. <i>See also A/D.</i>
digital-to-analog converter	A device that converts digital data into analog signals. <i>See also ADC.</i>
Digital Private-Line	A type of digital communication that utilizes privacy call, as well as memory channel and busy channel lock-out to enhance communication efficiency.
digital signal processor	A microcontroller specifically designed for performing the mathematics involved in manipulating analog information, such as sound, that has been converted into a digital form. DSP also implies the use of a data compression technique.
digital signal processor code	Object code executed by the Digital Signal Processor in an ASTRO subscriber radio. The DSP is responsible for computation-intensive tasks, such as decoding ASTRO signaling.
DPL	<i>See Digital Private-Line. See also PL.</i>
DSP	<i>See digital signal processor.</i>
DSP code	<i>See digital signal processor code.</i>
DTE	<i>See Data terminal equipment.</i>
EEPOT	Electrically Programmable Digital Potentiometer.

Term	Definition
EEPROM	<i>See Electrically Erasable Programmable Read-Only Memory.</i>
Electrically Erasable Programmable Read-Only Memory	A special type of PROM that can be erased by exposing it to an electrical charge. An EEPROM retains its contents even when the power is turned off.
EPIC	A programmable, digitally-tuned, temperature-compensated 16.8 MHz crystal oscillator.
FCC	Federal Communications Commission.
firmware	Code executed by an embedded processor such as the Host or DSP in a subscriber radio. This type of code is typically resident in non-volatile memory and as such is more difficult to change than code executed from RAM.
FGU	<i>See frequency generation unit.</i>
flash	A non-volatile memory device similar to an EEPROM. Flash memory can be erased and reprogrammed in blocks instead of one byte at a time.
FLASHcode	A 13-digit code which uniquely identifies the System Software Package and Software Revenue Options that are enabled in a particular subscriber radio. FLASHcodes are only applicable for radios which are upgradeable through the FLASHport process.
FLASHport	A Motorola term that describes the ability of a radio to change memory. Every FLASHport radio contains a FLASHport EEPROM memory chip that can be software written and rewritten to, again and again.
Flipper IC	A custom integrated circuit providing interface support for the Patriot and GCAP II ICs.
FMR	<i>See Florida Manual Revision.</i>
Florida Manual Revision	A document that provides interim updates to a publication until the entire publication can be updated and reissued.
FracN	A Motorola-proprietary, CMOS fractional-N frequency synthesizer with built-in, dual-port modulation.
frequency	Number of times a complete electromagnetic-wave cycle occurs in a fixed unit of time (usually one second).
frequency generation unit	This unit generates ultra-stable, low-phase noise master clock and other derived synchronization clocks that are distributed throughout the communication network.
GCAP IC	<i>See Global Control Audio and Power IC.</i>
General-Purpose Input/Output	Pins whose function is programmable.

Term	Definition
Global Control Audio and Power IC	A mixed-signal (analog and digital) integrated circuit that provides control, audio, and voltage regulation functionality for the VOCON board.
GPIO	<i>See General-Purpose Input/Output.</i>
host code	Object code executed by the host processor in an ASTRO subscriber radio. The host is responsible for control-oriented tasks such as decoding and responding to user inputs.
IC	<i>See integrated circuit.</i>
IF	Intermediate Frequency.
IMBE	A sub-band, voice-encoding algorithm used in ASTRO digital voice.
inbound signaling word	Data transmitted on the control channel from a subscriber unit to the central control unit.
integrated circuit	An assembly of interconnected components on a small semiconductor chip, usually made of silicon. One chip can contain millions of microscopic components and perform many functions.
ISW	<i>See inbound signaling word.</i>
key-variable loader	A device used to load encryption keys into a radio.
kHz	<i>See kilohertz.</i>
kilohertz	One thousand cycles per second. Used especially as a radio-frequency unit.
KVL	<i>See key-variable loader.</i>
LCD	<i>See liquid-crystal display.</i>
LED	<i>See light emitting diode.</i>
light emitting diode	An electronic device that lights up when electricity is passed through it.
liquid-crystal display	An LCD uses two sheets of polarizing material with a liquid-crystal solution between them. An electric current passed through the liquid causes the crystals to align so that light cannot pass through them.
LO	Local oscillator.
low-speed handshake	150-baud digital data sent to the radio during trunked operation while receiving audio.
LSH	<i>See low-speed handshake.</i>
Master In Slave Out	SPI data line from a peripheral to the MCU.
Master Out Slave In	SPI data line from the MCU to a peripheral.

Term	Definition
MCU	<i>See microcontroller unit.</i>
MDC	Motorola Digital Communications.
MDI	MCU/DSP Interface internal to the Patriot IC.
MHz	<i>See Megahertz.</i>
Megahertz	One million cycles per second. Used especially as a radio-frequency unit.
microcontroller unit	Also written as μC . A microprocessor that contains RAM and ROM components, as well as communications and programming components and peripherals.
MISO	<i>See Master In Slave Out.</i>
MOSI	<i>See Master Out Slave In.</i>
multiplexer	An electronic device that combines several signals for transmission on some shared medium (e.g., a telephone wire).
MUX	<i>See multiplexer.</i>
NiCd	Nickel-cadmium.
NiMH	Nickel-metal-hydride.
OMPAC	<i>See over-molded pad-array carrier.</i>
open architecture	A controller configuration that utilizes a microprocessor with extended ROM, RAM, and EEPROM.
oscillator	An electronic device that produces alternating electric current and commonly employs tuned circuits and amplifying components.
OSW	<i>See outbound signaling word.</i>
OTAR	<i>See over-the-air rekeying.</i>
outbound signaling word	Data transmitted on the control channel from the central controller to the subscriber unit.
over-molded pad-array carrier	A Motorola custom IC package, distinguished by the presence of solder balls on the bottom pads.
over-the-air rekeying	Allows the dispatcher to remotely reprogram the encryption keys in the radio.
PA	Power amplifier.
paging	One-way communication that alerts the receiver to retrieve a message.
Patriot IC	A dual-core processor that contains an MCU and a DSP in one IC package.

Term	Definition
PC Board	Printed Circuit Board. Also referred to as a PCB.
PCIC	<i>See Power Control IC.</i>
phase-locked loop	A circuit in which an oscillator is kept in phase with a reference, usually after passing through a frequency divider.
PL	<i>See private-line tone squelch.</i>
PLL	<i>See phase-locked loop.</i>
Power Control IC	The power control IC is intended for closed-loop bias control of power amplifiers. The device facilitates accurate control of the current delivered to the power amplifier (PA) via a control voltage.
private-line tone squelch	A continuous sub-audible tone that is transmitted along with the carrier. <i>See also DPL.</i>
Programmable Read-Only Memory	A memory chip on which data can be written only once. Once data has been written onto a PROM, it remains there forever.
PROM	<i>See Programmable Read-Only Memory.</i>
PTT	<i>See Push-to-Talk.</i>
Push-to-Talk	The switch or button usually located on the left side of the radio which, when pressed, causes the radio to transmit. When the PTT is released, the unit returns to receive operation.
radio frequency	The portion of the electromagnetic spectrum between audio sound and infrared light (approximately 10 kHz to 10 GHz).
radio frequency power amplifier	Amplifier having one or more active devices to amplify radio signals.
Radio Interface Box	A service aid used to enable communications between a radio and the programming software.
Radio Service Software	DOS-based software containing the feature set of an ASTRO radio. <i>See also CPS.</i>
RAM	<i>See random access memory.</i>
random access memory	A type of computer memory that can be accessed randomly; that is, any byte of memory can be accessed without touching the preceding bytes.
read-only memory	A type of computer memory on which data has been prerecorded. Once data has been written onto a ROM chip, it cannot be removed and can only be read.
real-time clock	A module that keeps track of elapsed time even when a computer is turned off.

Term	Definition
receiver	Electronic device that amplifies RF signals. A receiver separates the audio signal from the RF carrier, amplifies it, and converts it back to the original sound waves.
registers	Short-term data-storage circuits within the microcontroller unit or programmable logic IC.
repeater	Remote transmit/receive facility that re-transmits received signals in order to improve communications range and coverage (conventional operation).
repeater/talkaround	A conventional radio feature that permits communication through a receive/transmit facility, which re-transmits received signals in order to improve communication range and coverage.
RESET	Reset line: an input to the microcontroller that restarts execution.
RF	<i>See radio frequency.</i>
RF PA	<i>See radio frequency power amplifier.</i>
RIB	<i>See Radio Interface Box.</i>
ROM	<i>See read-only memory.</i>
RPCIC	Regulator/power control IC.
RSS	<i>See Radio Service Software.</i>
RTC	<i>See real-time clock.</i>
RX	Receive.
RX DATA	Recovered digital data line.
SAP	<i>See Serial Audio CODEC Port.</i>
SCI IN	<i>See Serial Communication Interface Input Line.</i>
Serial Audio CODEC Port	SSI to and from the GCAP II IC CODEC used to transfer transmit and receive audio data.
Serial Communication Interface Input Line	A full-duplex (receiver/transmitter) asynchronous serial interface.
Serial Peripheral Interface	How the microcontroller communicates to modules and ICs through the CLOCK and DATA lines.
signal	An electrically transmitted electromagnetic wave.
Signal Qualifier mode	An operating mode in which the radio is muted, but still continues to analyze receive data to determine RX signal type.
softpot	<i>See software potentiometer.</i>

Term	Definition
software	Computer programs, procedures, rules, documentation, and data pertaining to the operation of a system.
software potentiometer	A computer-adjustable electronic attenuator.
spectrum	Frequency range within which radiation has specific characteristics.
SPI	<i>See Serial Peripheral Interface.</i>
squelch	Muting of audio circuits when received signal levels fall below a pre-determined value. With carrier squelch, all channel activity that exceeds the radio's preset squelch level can be heard.
SRAM	<i>See static RAM.</i>
SSI	<i>See Synchronous Serial Interface.</i>
Standby mode	An operating mode in which the radio is muted but still continues to monitor data.
static RAM	A type of memory used for volatile, program/data memory that does not need to be refreshed.
Synchronous Serial Interface	DSP interface to peripherals that consists of a clock signal line, a frame synchronization signal line, and a data line.
system central controllers	Main control unit of the trunked dispatch system; handles ISW and OSW messages to and from subscriber units (<i>See ISW and OSW</i>).
system select	The act of selecting the desired operating system with the system-select switch (also, the name given to this switch).
thin small-outline package	A type of dynamic random-access memory (DRAM) package that is commonly used in memory applications.
time-out timer	A timer that limits the length of a transmission.
TOT	<i>See time-out timer.</i>
transceiver	Transmitter-receiver. A device that both transmits and receives analog or digital signals. Also abbreviated as XCVR.
transmitter	Electronic equipment that generates and amplifies an RF carrier signal, modulates the signal, and then radiates it into space.
TSOP	<i>See thin small-outline package.</i>
TX	Transmit.
UART	<i>See also Universal Asynchronous Receiver Transmitter.</i>
UHF	Ultra-High Frequency.

Term	Definition
Universal Asynchronous Receiver Transmitter	A microchip with programming that controls a computer's interface to its attached serial devices.
Universal Connector	Interface point for all accessories to the radio.
Universal Serial Bus	An external bus standard that supports data transfer rates of 12 Mbps.
USB	<i>See Universal Serial Bus.</i>
VCO	<i>See voltage-controlled oscillator.</i>
VCOB IC	Voltage-Controlled Oscillator Buffer IC.
vector sum excited linear predictive coding	A voice-encoding technique used in ASTRO digital voice.
VHF	Very-High Frequency.
VIP	Vehicle Interface Port.
VOCON	<i>See vocoder/controller.</i>
vocoder	An electronic device for synthesizing speech by implementing a compression algorithm particular to voice. <i>See also voice encoder.</i>
vocoder/controller	A PC board that contains an ASTRO radio's microcontroller, DSP, memory, audio and power functions, and interface support circuitry.
voice encoder	The DSP-based system for digitally processing analog signals, and includes the capabilities of performing voice compression algorithms or voice encoding. <i>See also vocoder.</i>
voltage-controlled oscillator	An oscillator in which the frequency of oscillation can be varied by changing a control voltage.
VSELP	<i>See vector sum excited linear predictive coding.</i>

Notes

Index

A

- amplifier
 - driver U102 3-18
 - power transistor 3-18
- antenna port J101 3-8
- antenna switch, transmitter 3-19

B

- battery
 - connector M101 3-6
 - types and capacities 2-1
- block diagram
 - overall 3-2
 - power distribution 2-2
 - receiver 3-11, 3-22
 - uhf1/7/800 3-10
 - uhf1/vhf 3-10
 - uhf2/7/800 3-11
 - uhf2/vhf 3-12
 - vhf/7/800 3-9
 - transceiver 3-3, 3-4, 3-5, 3-6
- board overlays
 - transceiver (RF) board
 - VHF/700-800 MHz 8-20, 8-59, 8-61, 8-121, 8-123, 8-172, 8-198, 8-239
 - transceiver list 8-1
 - VOCON board
 - NTN9564B 8-293, 8-295
 - VOCON list 8-2
- buffer and VCO, FGU 3-27

C

- caution symbol meaning 1-2
- charts, troubleshooting
 - channel/zone select error 5-22
 - DC supply failure 5-15
 - fgu
 - failure 5-44
 - fgu,power
 - failure 5-45
 - gps failure 5-46
 - keyload failure 5-29
 - list 5-1
 - main 5-2
 - power-up failure 5-3
 - secure hardware failure 5-30
 - VOCON
 - PA 5-47
 - Rx RF 5-32
 - Tx audio 5-25, 5-27
 - volume set error 5-21
- clocks, FGU 3-23
- components
 - block diagram 3-2
- current control mode, transmitter power control 3-21

D

- danger symbol meaning 1-2
- detailed theory
 - Controller 3-29
 - gps 3-68
 - transceiver (RF) board 3-3
- directional coupler U101, transmitter 3-18
- driver amplifier U102 3-18

E

- errors, power-up self-check 4-4

F

- frequency generator unit (FGU)
 - buffer and VCO 3-27
 - clocks 3-23
 - loop filter 3-23
 - modulation 3-23
 - port expander 3-24
 - reference oscillator Y701 3-22
 - synthesizer 3-23
 - trident IC U702 3-23
 - voltage multiplier and superfilter 3-23

G

- glossary Glossary-1

H

- handling precautions, troubleshooting 4-1
- harmonic filter, transmitter 3-19

I

- IC
 - directional coupler U101 3-18
 - driver amplifier U102 3-18
- interconnections
 - transceiver 3-6

K

- keep-alive mode 2-2

L

- loop filter, FGU 3-23

M

- manual
 - notations 1-2
- mode, keep-alive 2-2
- modulation, FGU 3-23

N

notations in manual 1-2

O

ordering replacement parts A-1

oscillator

reference Y701, FGU 3-22

P

PA offset, control voltage gain scaling, transmitter power control 3-21

parts list

expansion board 8-342, 8-345, 8-348

transceiver (RF) board

UHF1/700–800 MHz 8-63, 8-70, 8-81, 8-92

UHF1/UHF2 8-174

UHF1/VHF 8-125, 8-132, 8-144

UHF2/700–800 MHz 8-200, 8-207, 8-214

UHF2/VHF 8-241, 8-248, 8-259

VHF/700–800 MHz 8-22, 8-32

VOCON board

MNCN6200A 8-297, 8-306

MNCN6202A 8-315, 8-324

parts, ordering replacement A-1

port expander, FGU 3-24

power

amplifier transistor 3-18

conditioning components, transceiver 3-8

power control

detailed theory 3-20

power distribution

block diagram 2-2

keep-alive mode 2-2

radio 2-1

transceiver board 2-2

VOCON board 2-3

power-up self-check

diagnostics and repair 4-5

errors 4-4

R

radio

keep-alive mode 2-2

power distribution 2-1

receiver

700/800 front-end

detailed theory 3-13

analog to digital converter

detailed theory 3-14

block diagram 3-11, 3-22

uhf1/7/800 3-10

uhf1/vhf 3-10

uhf2/7/800 3-11

uhf2/vhf 3-12

vhf/7/800 3-9

UHF1 front-end

detailed theory 3-13, 3-14

VHF front-end

detailed theory 3-13

reference oscillator Y701, FGU 3-22

replacement parts, ordering A-1

reverse power protection, transmitter 3-20

S

schematics

expansion board 8-2

transceiver (RF) board 8-331

UHF1/700–800 8-43

UHF1/UHF2 8-157

UHF1/VHF 8-105

UHF2/700–800 8-183

UHF2/VHF 8-223

VHF/700–800 8-4

transceiver board list 8-1

VOCON board 8-271

VOCON board list 8-2

serial EEPROM 3-8

service tools, recommended 4-2

standard supply voltages 4-3

symbols

caution 1-2

danger 1-2

warning 1-2

synthesizer

FGU 3-23

system clocks

troubleshooting 4-3

T

terms and definitions Glossary-1

thermal cutback, transmitter power control 3-21

tools, recommended service 4-2

transceiver

antenna port J101 3-8

battery connector M101 3-6

block diagram 3-3, 3-4, 3-5, 3-6

board overlays

VHF/700-800 MHz 8-20, 8-59, 8-61, 8-121, 8-123, 8-172, 8-198, 8-239

detailed theory 3-3

interconnections 3-6

parts list 8-342, 8-345, 8-348

UHF1/700–800 MHz 8-63, 8-70, 8-81, 8-92

UHF1/UHF2 8-174

UHF1/VHF 8-125, 8-132, 8-144

UHF2/700–800 MHz 8-200, 8-207, 8-214

UHF2/VHF 8-241, 8-248, 8-259

VHF/700–800 MHz 8-22, 8-32

power conditioning 3-8

power distribution diagram 2-2

schematics 8-331

serial EEPROM 3-8

VOCON connector J1001 3-7

voltage regulators 2-3

transmitter

antenna switch 3-19

directional coupler U101 3-18

driver amplifier U102 3-18

harmonic filter 3-19

- introduction 3-14
 - power amplifier transistor 3-18
 - power control 3-20
 - reverse power protection 3-20
 - transmitter power control
 - current control mode 3-21
 - PA offset, control voltage gain scaling 3-21
 - thermal cutback 3-21
 - voltage control mode 3-20
 - trident IC U702, FGU 3-23
 - troubleshooting
 - channel/zone select error 5-22
 - charts listing 5-1
 - DC supply failure 5-15
 - fgu 5-44
 - fgu,power 5-45
 - gps 5-46
 - handling precautions 4-1
 - keyload failure 5-29
 - main chart 5-2
 - power-up failure 5-3
 - power-up self-check
 - diagnostics and repair 4-5
 - errors 4-4
 - secure hardware failure 5-30
 - service tools 4-2
 - standard supply voltages 4-3
 - system clocks 4-3
 - VOCON
 - PA 5-47
 - Rx RF 5-32
 - Tx audio 5-25, 5-27
 - volume set error 5-21
 - troubleshooting waveforms
 - 12MHz clock 6-5
 - 16.8 MHz clock 6-6
 - 24 MHz clock 6-7
 - 32 kHz clock 6-3
 - 4 MHz clock 6-4
 - audio ssi, bclk 6-11
 - audio ssi, red rx 6-9
 - audio ssi, red tx 6-8
 - audio ssi, sync 6-10
 - flash,adv 6-35
 - flash,cpld cs 6-36
 - flash,cs3 6-37, 6-40
 - flash,oe 6-38
 - flash,rdy 6-39
 - flash,we 6-41
 - gcai,gpio1 6-26
 - gcai,gpio3 6-27
 - gcai,gpio4 6-28
 - gcai,uart rx 6-31
 - gcai,uart tx 6-32
 - gcai,usb,d- 6-29
 - gcai,usb,d+ 6-30
 - i2c,sca 6-22
 - i2c,sca 5v 6-23
 - i2c,sda 6-24
 - list 6-1
 - one wire 6-25
 - received baseband signals 6-51
 - removable memory,mmc2,clk 6-50
 - removable memory,mmc2,cmd 6-42
 - removable memory,mmc2,cmd dir 6-47
 - removable memory,mmc2,d0 6-43
 - removable memory,mmc2,d0 dir 6-48
 - removable memory,mmc2,d1 6-44
 - removable memory,mmc2,d1 dir 6-49
 - removable memory,mmc2,d2 6-45
 - removable memory,mmc2,d3 6-46
 - rx clk 6-12
 - rx da 6-13
 - rx fsync 6-14
 - sdram,clk 6-33
 - sdram,clkx 6-34
 - spi clk 6-18
 - spi clk, inverse 6-19
 - spi cs 6-20
 - spi mosi 6-21
 - transmit baseband interface port (BBP) 6-52, 6-53, 6-54
 - tx ssi,clk 6-15
 - tx ssi,da 6-16
 - tx ssi,fsync 6-15
- ## U
- UHF1/700–800
 - transceiver
 - schematics 8-43
 - UHF1/UHF2
 - transceiver
 - schematics 8-157
 - UHF1/VHF
 - transceiver
 - schematics 8-105
 - UHF2/700–800
 - transceiver
 - schematics 8-183
 - UHF2/VHF
 - transceiver
 - schematics 8-223
- ## V
- VHF 3-1
 - VHF/700–800
 - transceiver
 - schematics 8-4
 - VOCON board
 - board overlays
 - NTN9564B 8-293, 8-295
 - parts list
 - MNCN6200A 8-297, 8-306
 - MNCN6202A 8-315, 8-324
 - power distribution 2-3
 - schematics 8-271
 - VOCON connector J1001 3-7
 - voltage
 - control mode, transmitter power control 3-20
 - regulators, transceiver 2-3
 - voltage multiplier and superfilter, FGU 3-23
 - voltages, standard supply 4-3
- ## W
- warning symbol meaning 1-2

- waveforms, receive baseband signals 6-51
- waveforms, troubleshooting
 - 12MHz clock 6-5
 - 16.8 MHz clock 6-6
 - 24 MHz clock 6-7
 - 32 kHz clock 6-3
 - 4 MHz clock 6-4
 - audio ssi,bclk 6-11
 - audio ssi,red rx 6-9
 - audio ssi,red tx 6-8
 - audio ssi,sync 6-10
 - flash,adv 6-35
 - flash,cpld cs 6-36
 - flash,cs3 6-37, 6-40
 - flash,oe 6-38
 - flash,rdy 6-39
 - flash,we 6-41
 - gcai,gpio1 6-26
 - gcai,gpio3 6-27
 - gcai,gpio4 6-28
 - gcai,uart rx 6-31
 - gcai,uart tx 6-32
 - gcai,usb,d- 6-29
 - gcai,usb,d+ 6-30
 - i2c,sca 6-22
 - i2c,sca 5v 6-23
 - i2c,sda 6-24
 - list 6-1
 - one wire 6-25
 - removable memory,mmc2,clk 6-50
 - removable memory,mmc2,cmd 6-42
 - removable memory,mmc2,cmd dir 6-47
 - removable memory,mmc2,d0 6-43
 - removable memory,mmc2,d0 dir 6-48
 - removable memory,mmc2,d1 6-44
 - removable memory,mmc2,d1 dir 6-49
 - removable memory,mmc2,d2 6-45
 - removable memory,mmc2,d3 6-46
 - rx clk 6-12
 - rx da 6-13
 - rx fsync 6-14
 - sdram,clk 6-33
 - sdram,clkx 6-34
 - spi clk 6-18
 - spi clock inverse 6-19
 - spi cs 6-20
 - spi mosi 6-21
 - transmit baseband interface port (BBP) 6-52, 6-53, 6-54
 - tx ssi,clk 6-15
 - tx ssi,da 6-16
 - tx ssi,fsync 6-15



Motorola Solutions, Inc.
1303 East Algonquin Road
Schaumburg, Illinois 60196 U.S.A.

MOTOROLA, MOTO, MOTOROLA SOLUTIONS and the Stylized M logo are trademarks or registered trademarks of Motorola Trademark Holdings, LLC and are used under license. All other trademarks are the property of their respective owners. © 2010 – 2013 Motorola Solutions, Inc. All rights reserved. June 2013.



6875961M01-H